



US00D923945S

(12) **United States Design Patent** (10) **Patent No.:** **US D923,945 S**
Du (45) **Date of Patent:** **** Jul. 6, 2021**

(54) **MIRROR**

CN 306537982 * 5/2021

* cited by examiner

(71) Applicant: **Yafeng Du, Jixi (CN)**

Primary Examiner — Deanna L Pratt

(72) Inventor: **Yafeng Du, Jixi (CN)**

(57) **CLAIM**

(**) Term: **15 Years**

The ornamental design for a mirror, as shown and described.

(21) Appl. No.: **29/759,105**

DESCRIPTION

(22) Filed: **Nov. 20, 2020**

(51) **LOC (13) Cl.** **06-07**

(52) **U.S. Cl.**

USPC **D6/308**

(58) **Field of Classification Search**

USPC D6/300–314

CPC .. A47G 1/00; A47G 2001/002; F21V 33/004;
A45D 42/10

See application file for complete search history.

FIG. 1 is a perspective view of a first embodiment of a mirror showing my new design; FIG. 2 is another perspective view thereof; FIG. 3 is a front elevational view thereof; FIG. 4 is a rear elevational view thereof; FIG. 5 is a left side elevational view thereof; FIG. 6 is a right side elevational view thereof; FIG. 7 is a top plan view thereof; FIG. 8 is a bottom plan view thereof; FIG. 9 is a perspective view of a second embodiment of the mirror showing my new design; FIG. 10 is another perspective view thereof; FIG. 11 is a front elevational view thereof; FIG. 12 is a rear elevational view thereof; FIG. 13 is a left side elevational view thereof; FIG. 14 is a right side elevational view thereof; FIG. 15 is a top plan view thereof; FIG. 16 is a bottom plan view thereof; FIG. 17 is a perspective view of a third embodiment of the mirror showing my new design; FIG. 18 is another perspective view thereof; FIG. 19 is a front elevational view thereof; FIG. 20 is a rear elevational view thereof; FIG. 21 is a left side elevational view thereof; FIG. 22 is a right side elevational view thereof; FIG. 23 is a top plan view thereof; and, FIG. 24 is a bottom plan view thereof. The broken lines in the drawings depict portions of the mirror that form no part of the claimed design.

(56) **References Cited**

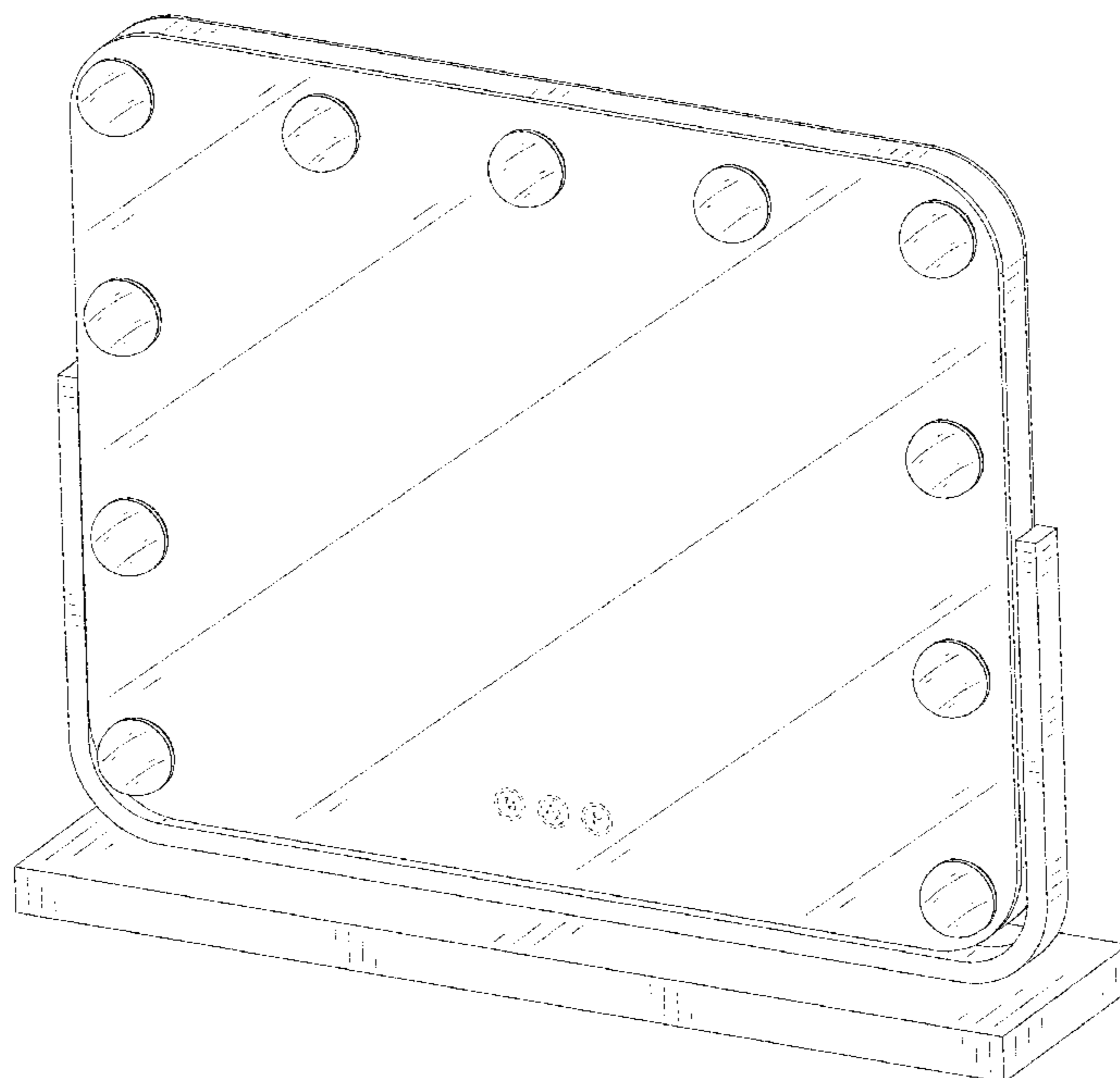
U.S. PATENT DOCUMENTS

D497,485 S *	10/2004	Resultan	D6/300
D651,812 S *	1/2012	Lee	D6/300
D779,835 S *	2/2017	Zhang	D6/300
D853,736 S	7/2019	Long		
D882,279 S *	4/2020	Zhu	D6/308
D898,384 S *	10/2020	Liu	D6/308
D916,471 S *	4/2021	Jiang	D6/308
D918,601 S *	5/2021	Liu	D6/300
2013/0027913 A1	1/2013	Frisch et al.		
2019/0328113 A1	10/2019	Long et al.		

FOREIGN PATENT DOCUMENTS

CN 306418121 * 3/2021

1 Claim, 24 Drawing Sheets



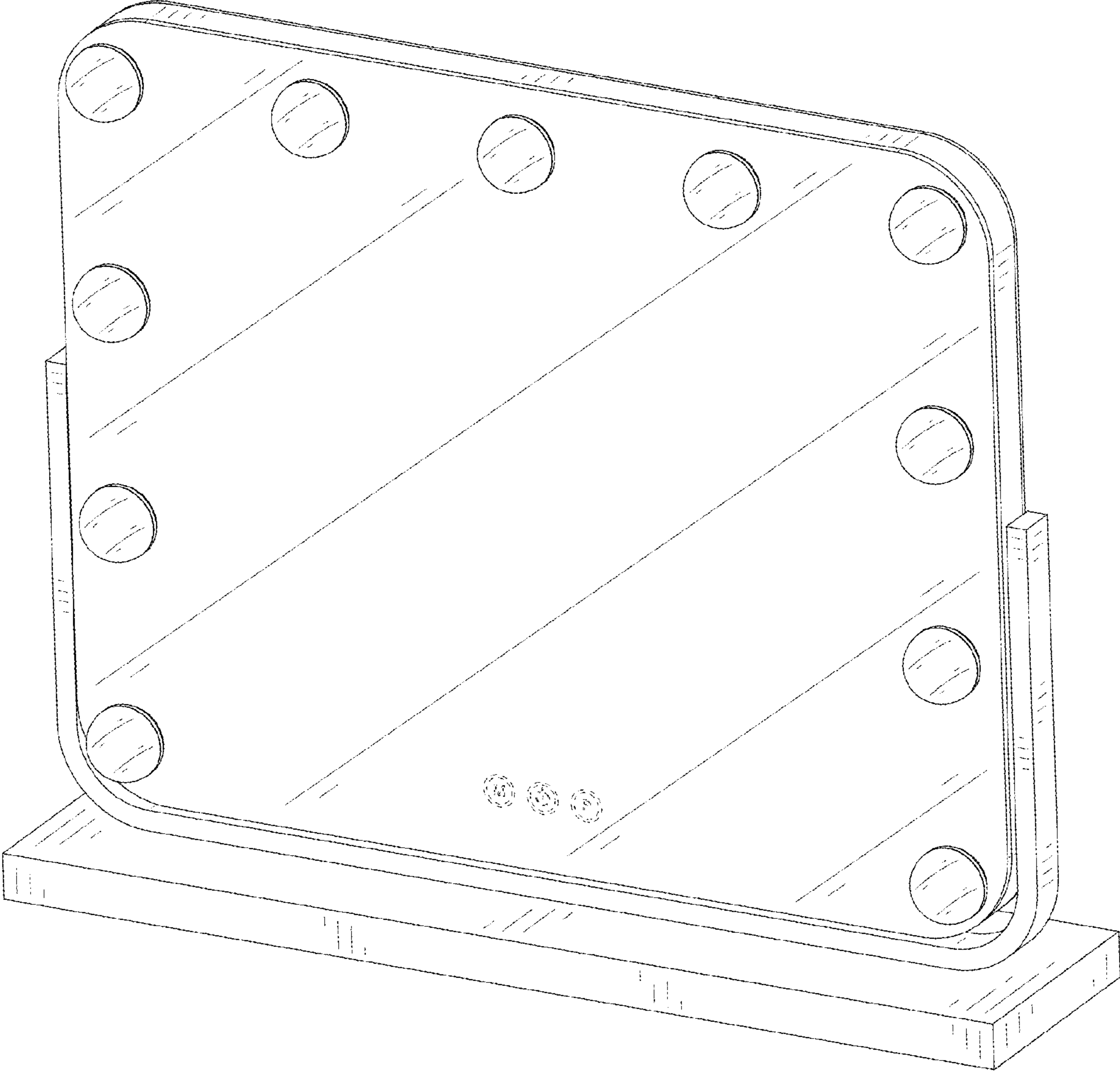


FIG. 1

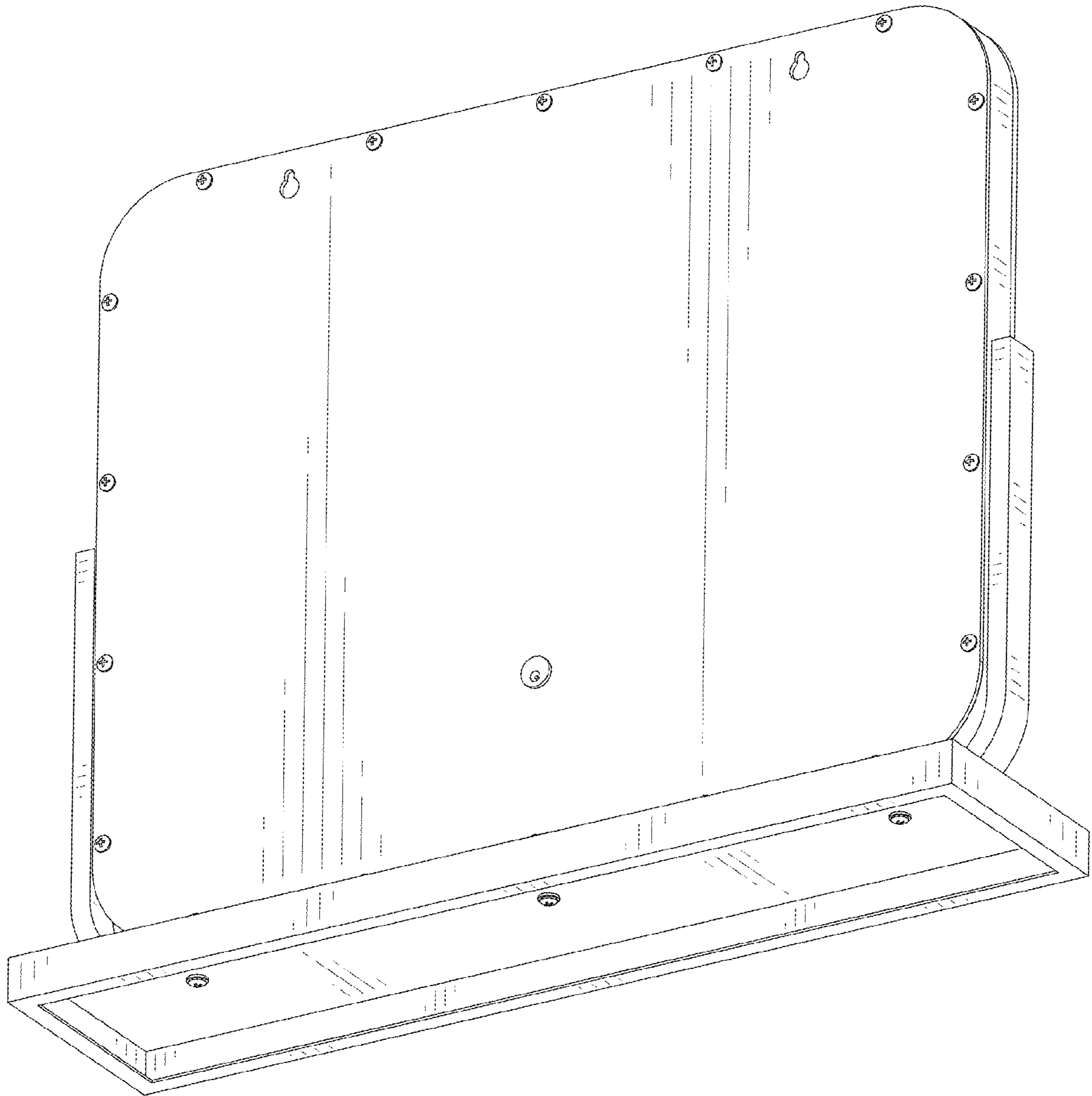


FIG. 2

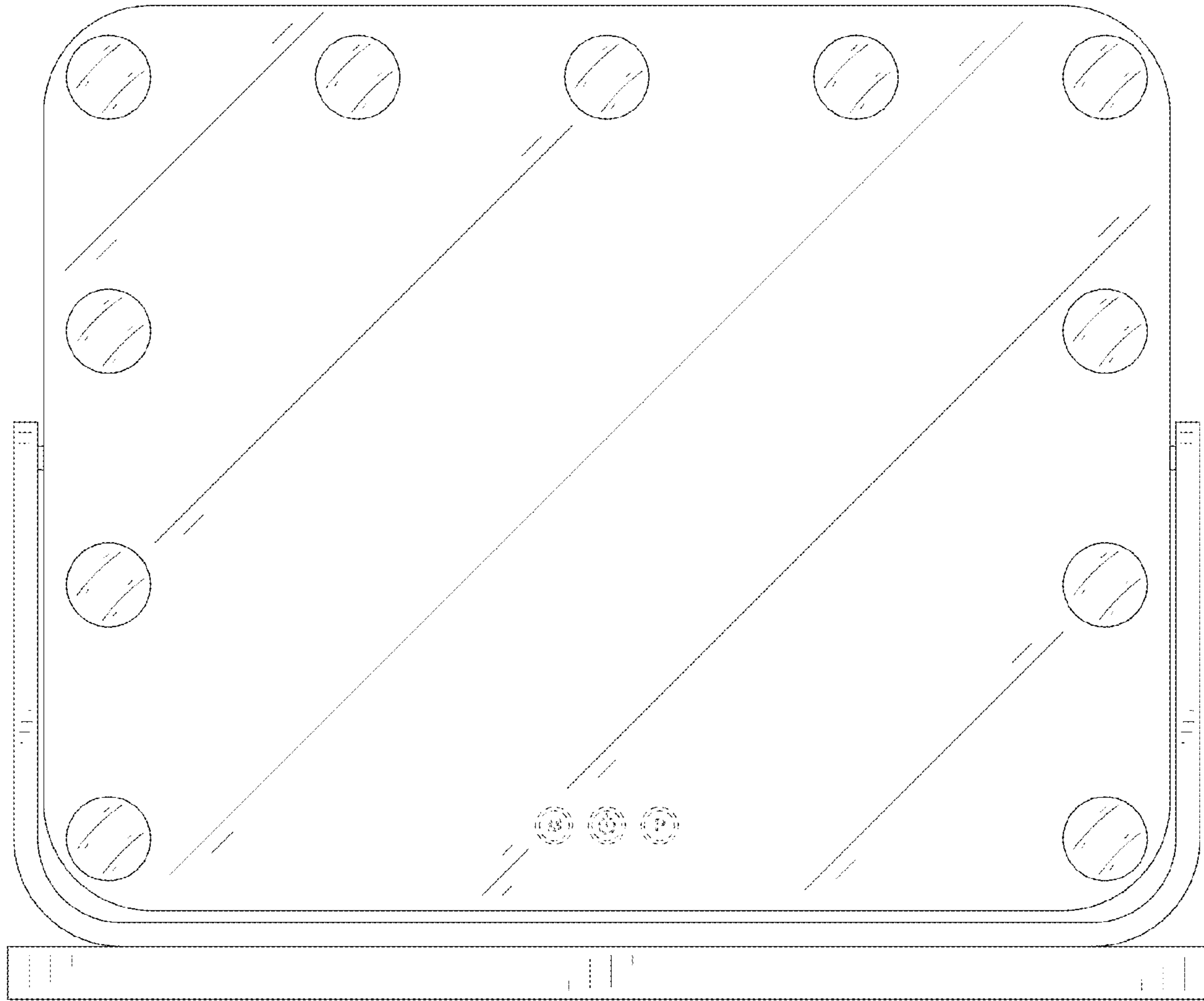


FIG. 3

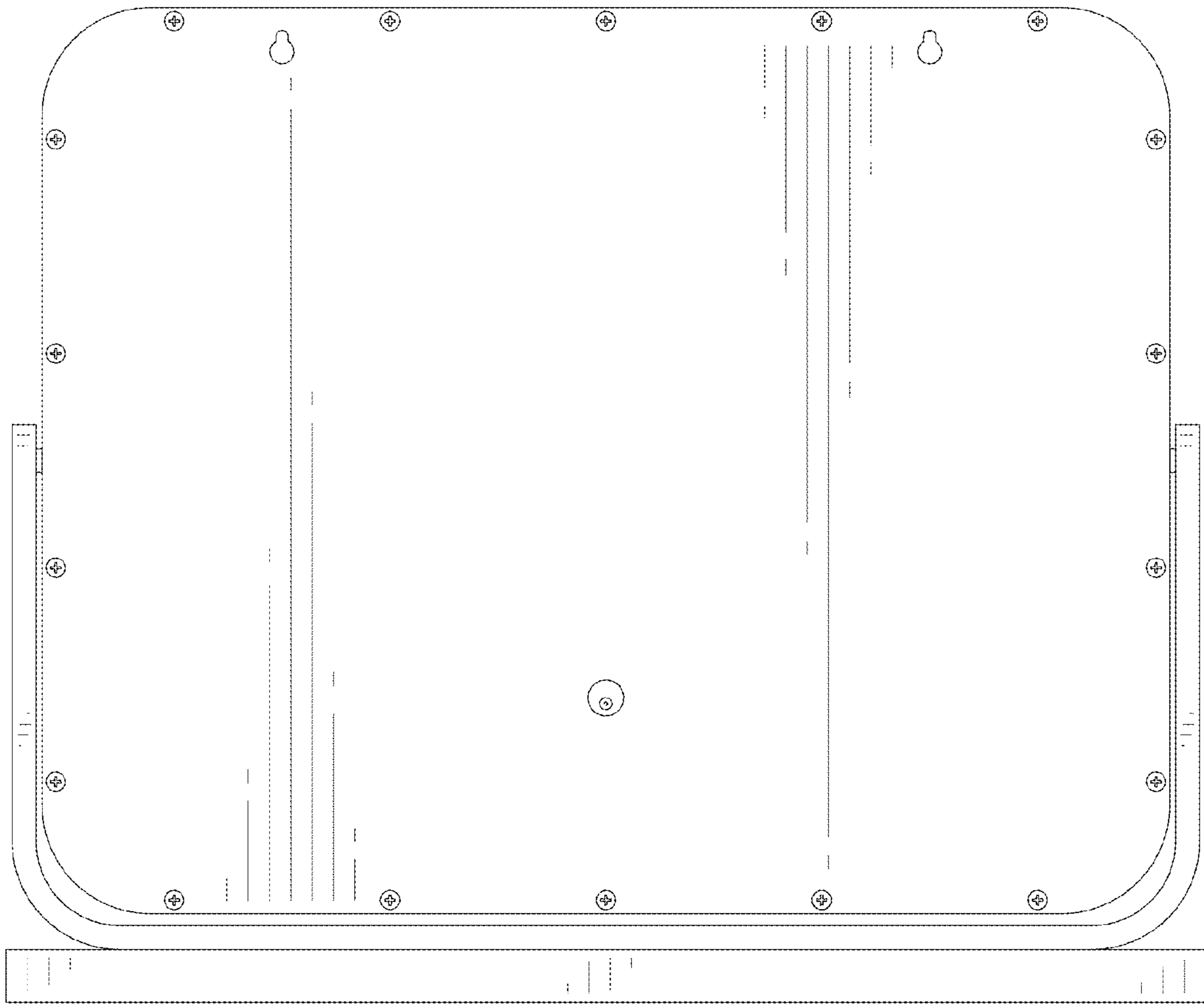


FIG. 4

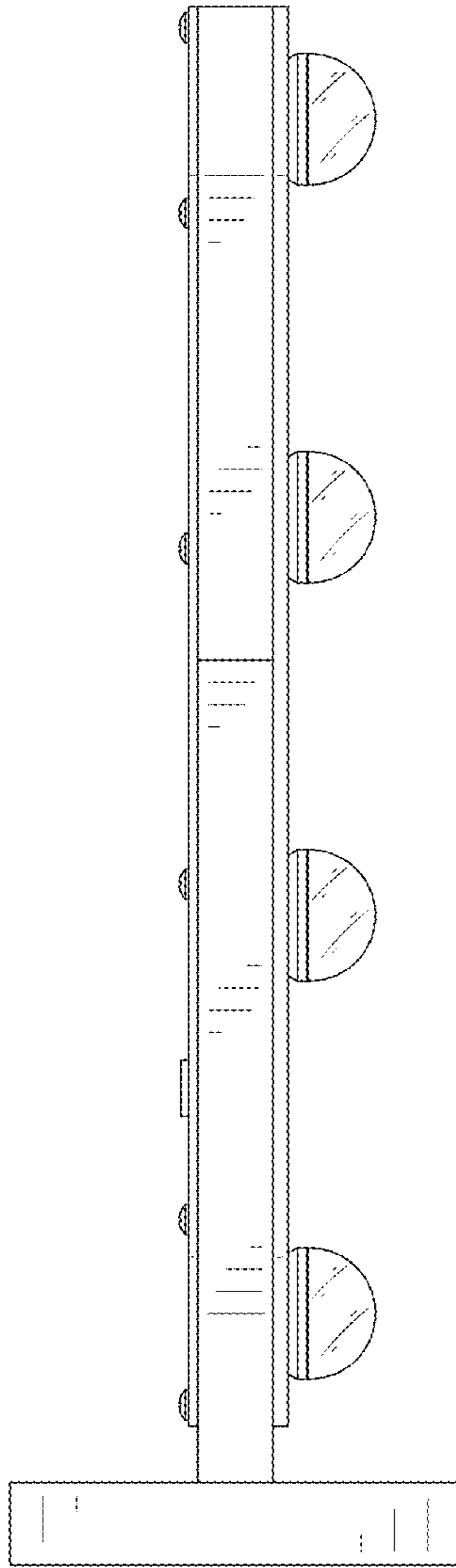


FIG. 5

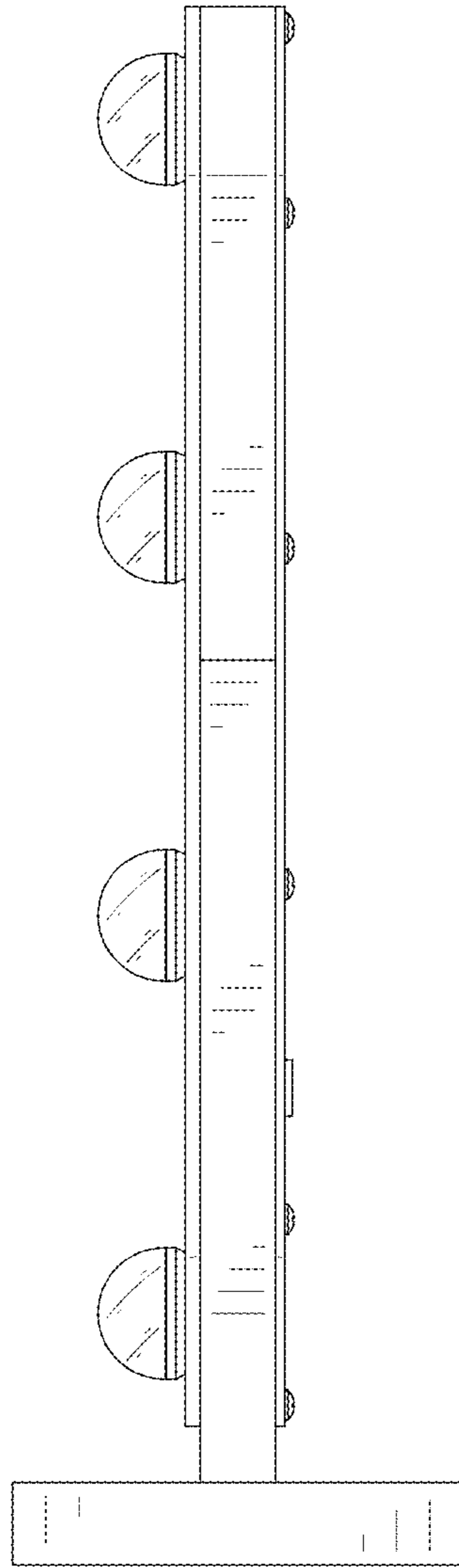


FIG. 6

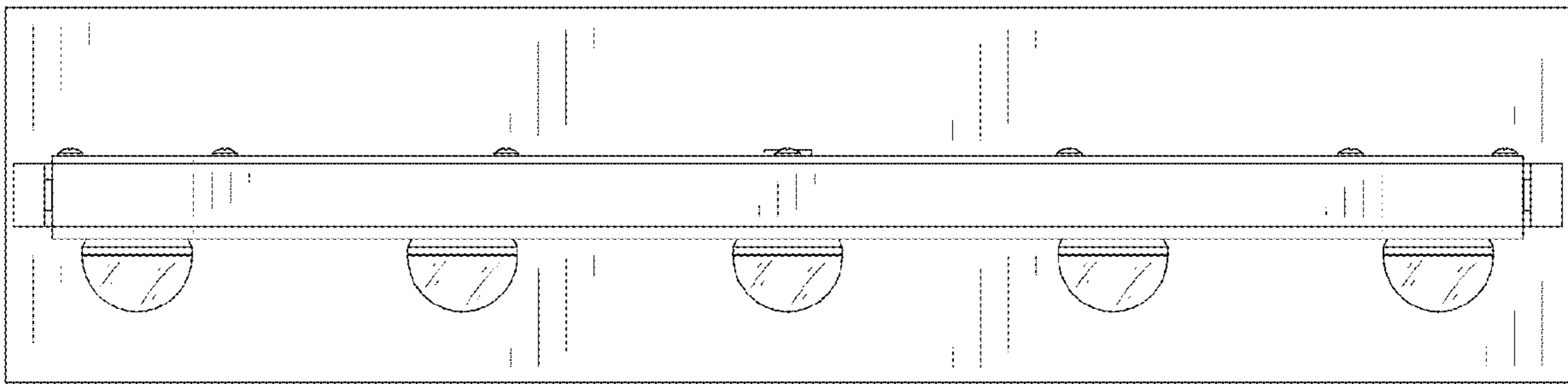


FIG. 7

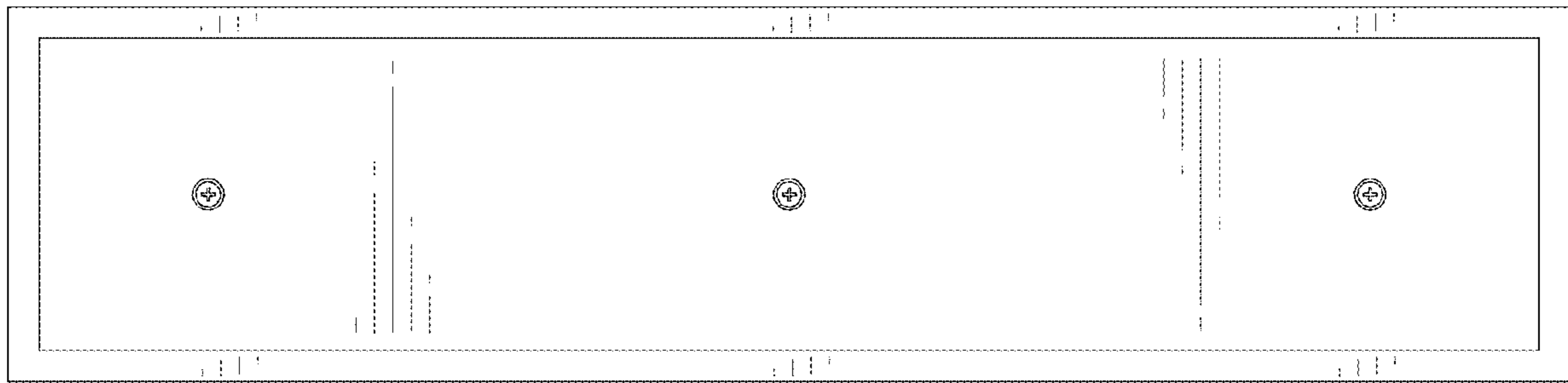


FIG. 8

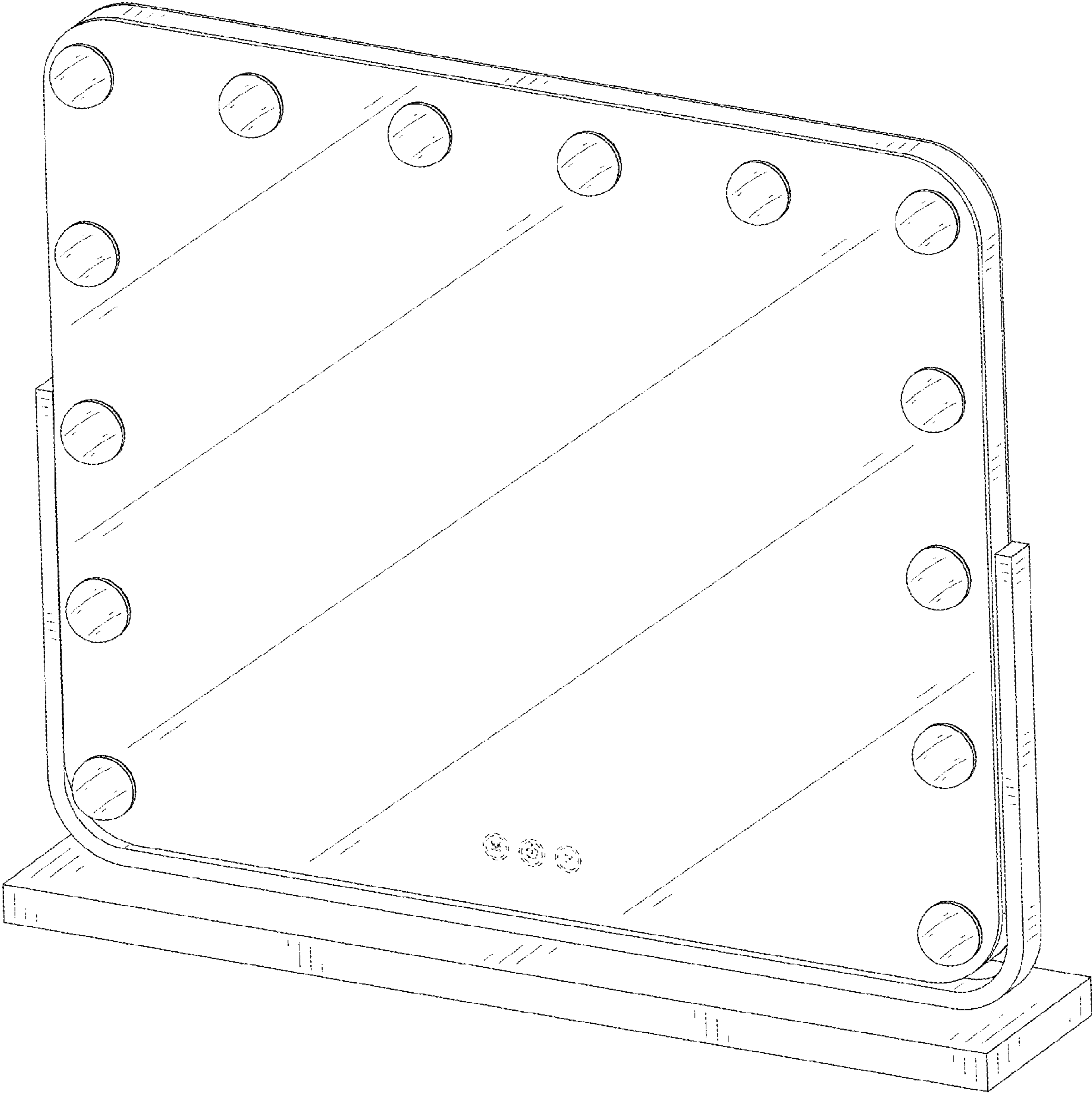


FIG. 9

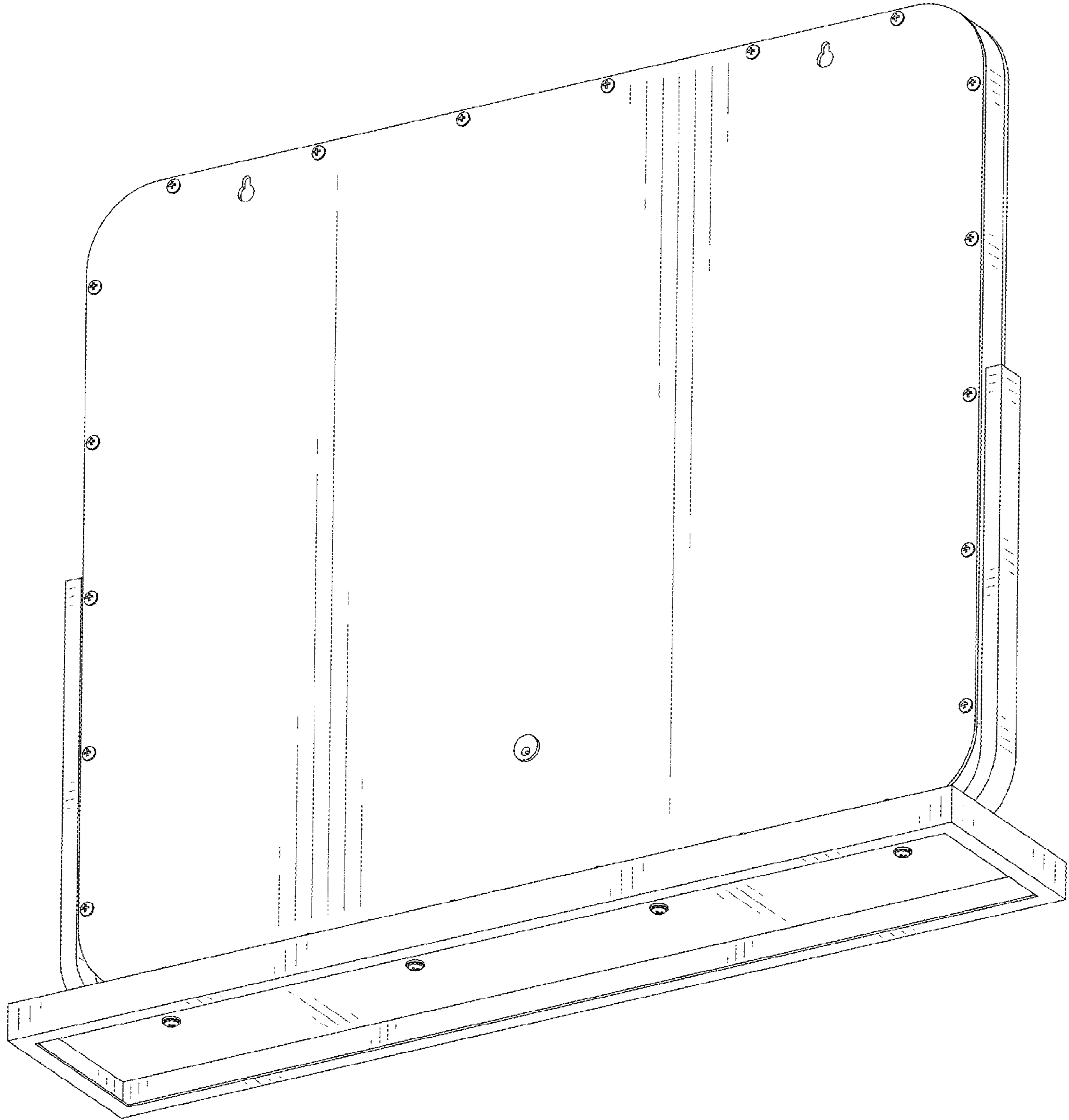


FIG. 10

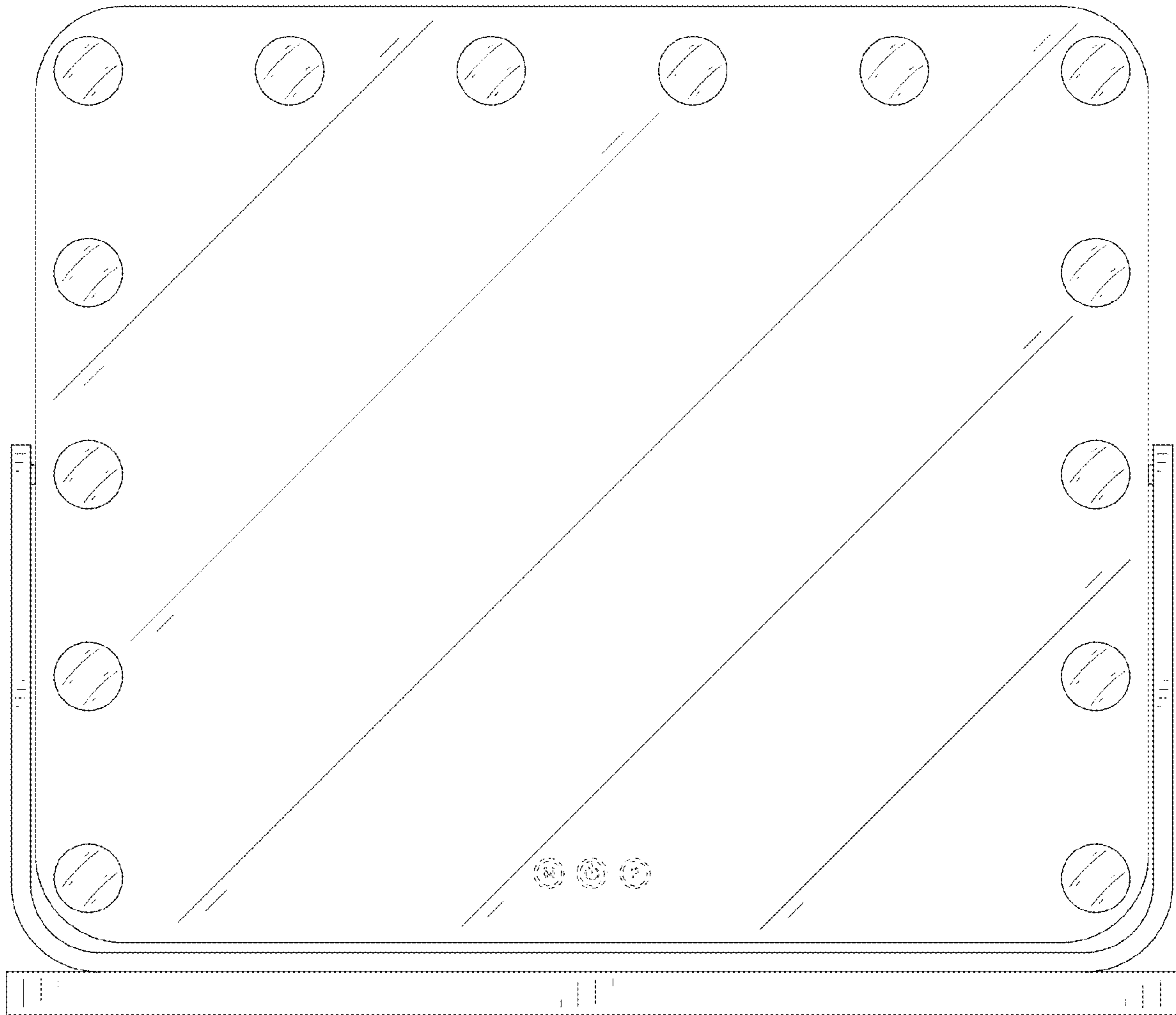


FIG. 11

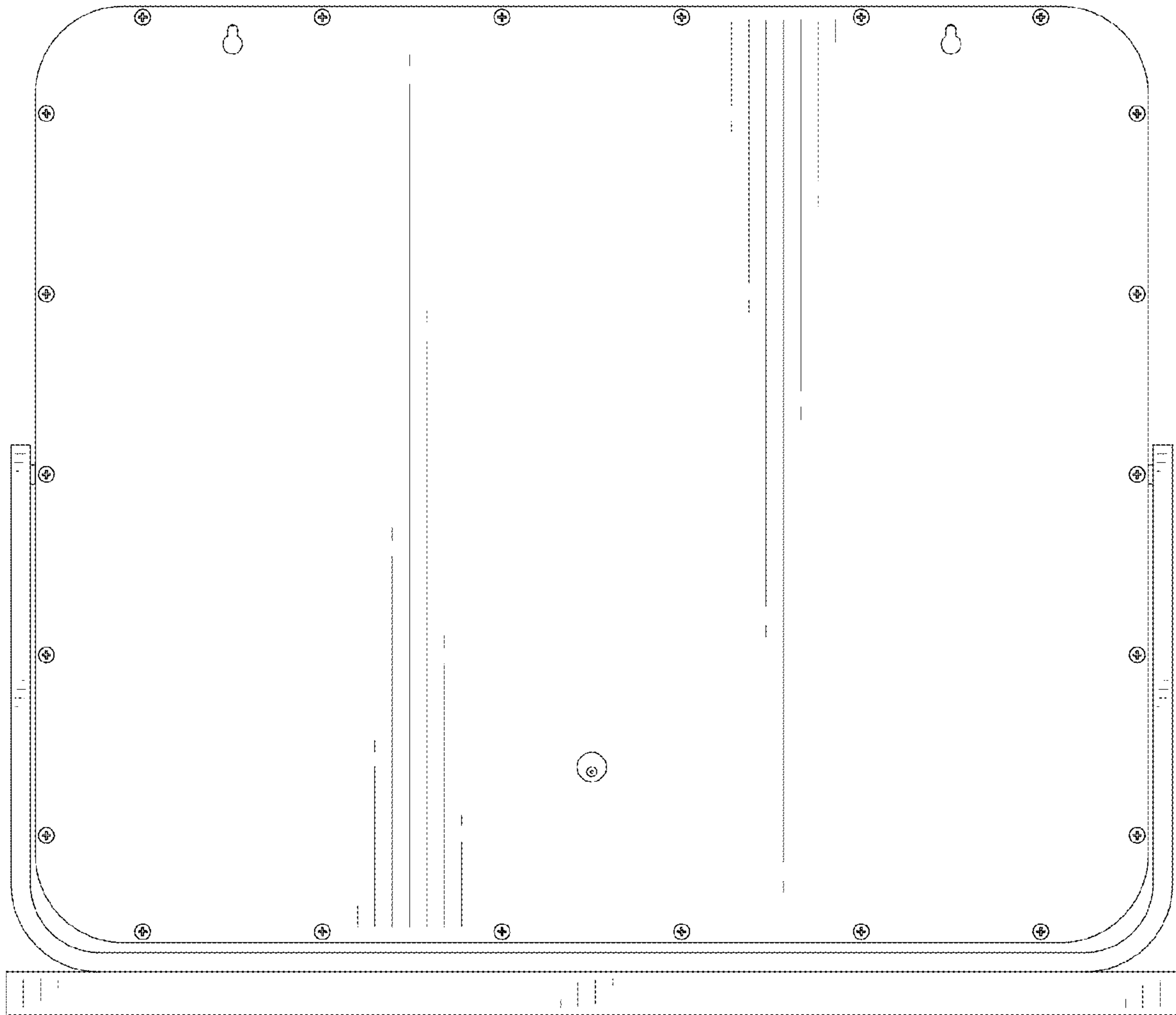


FIG. 12

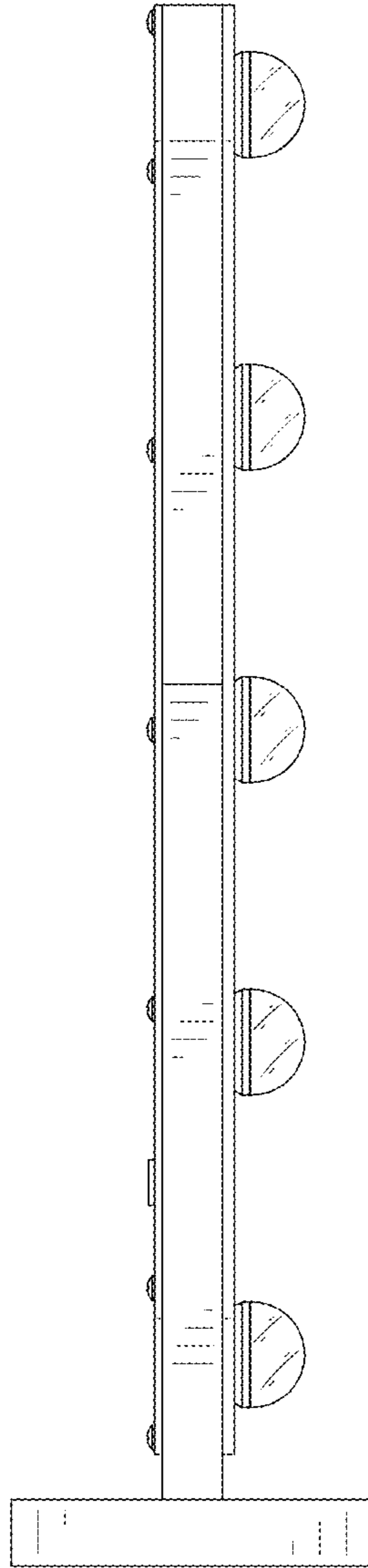


FIG. 13

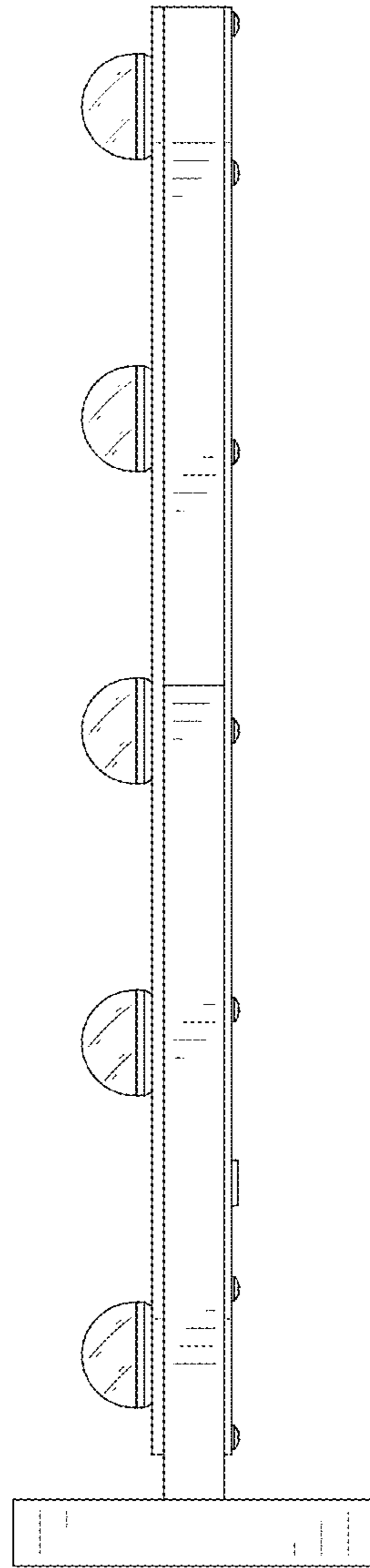


FIG. 14

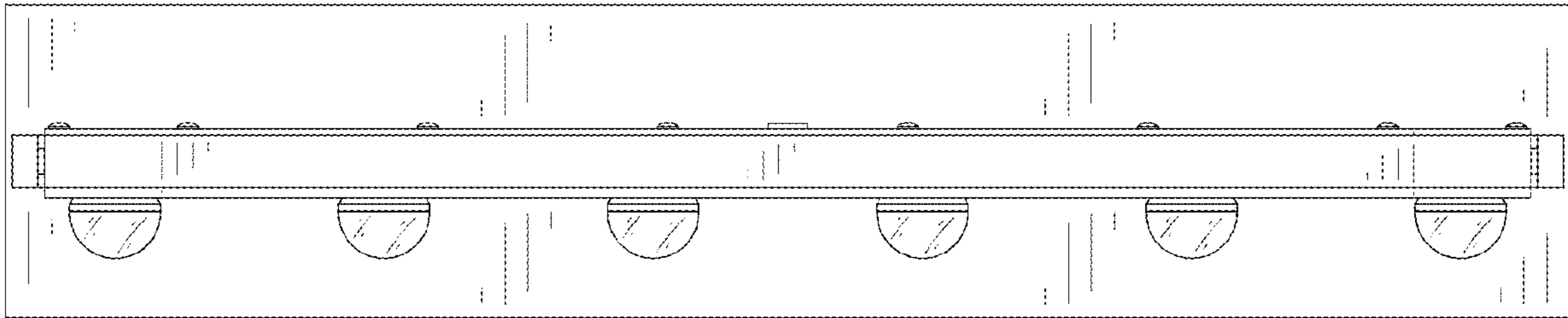


FIG. 15

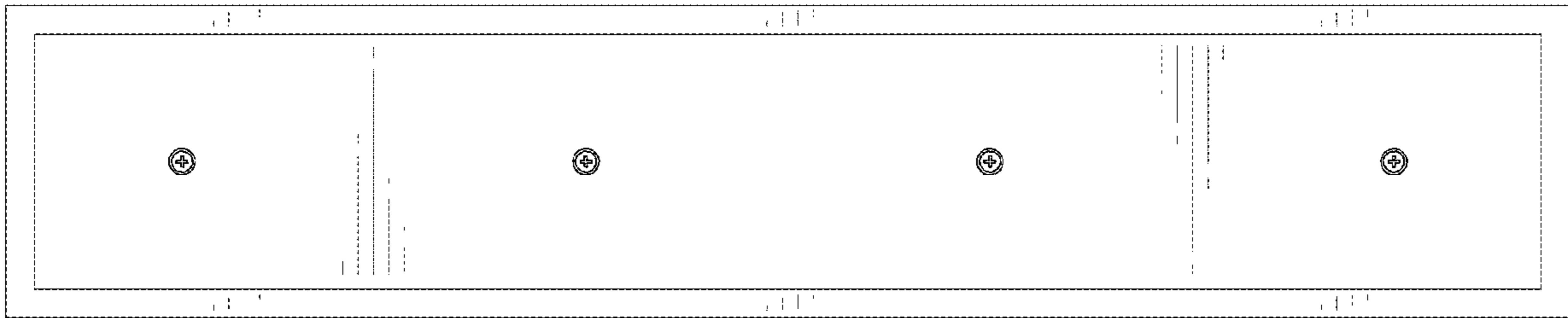


FIG. 16

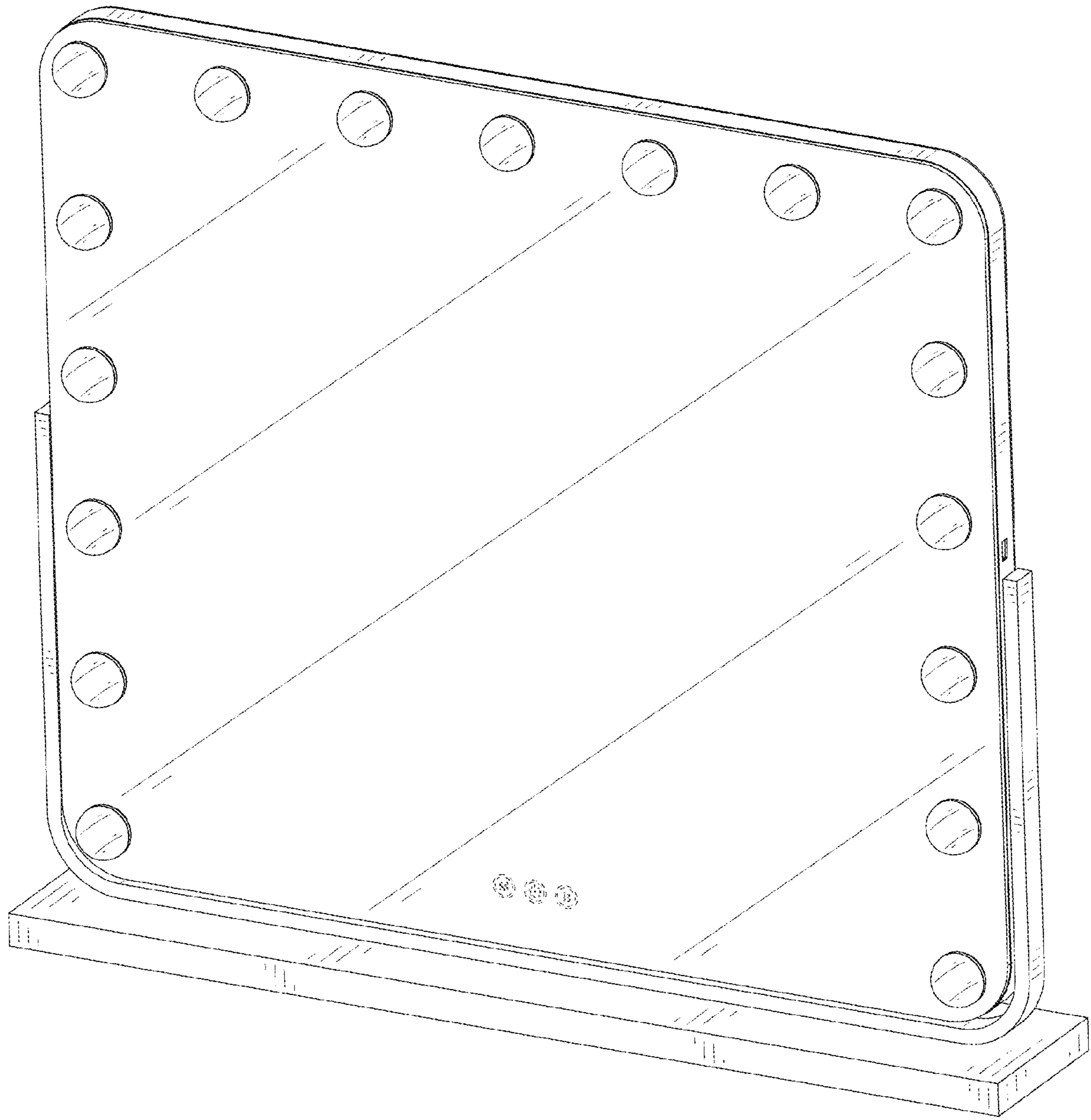


FIG. 17

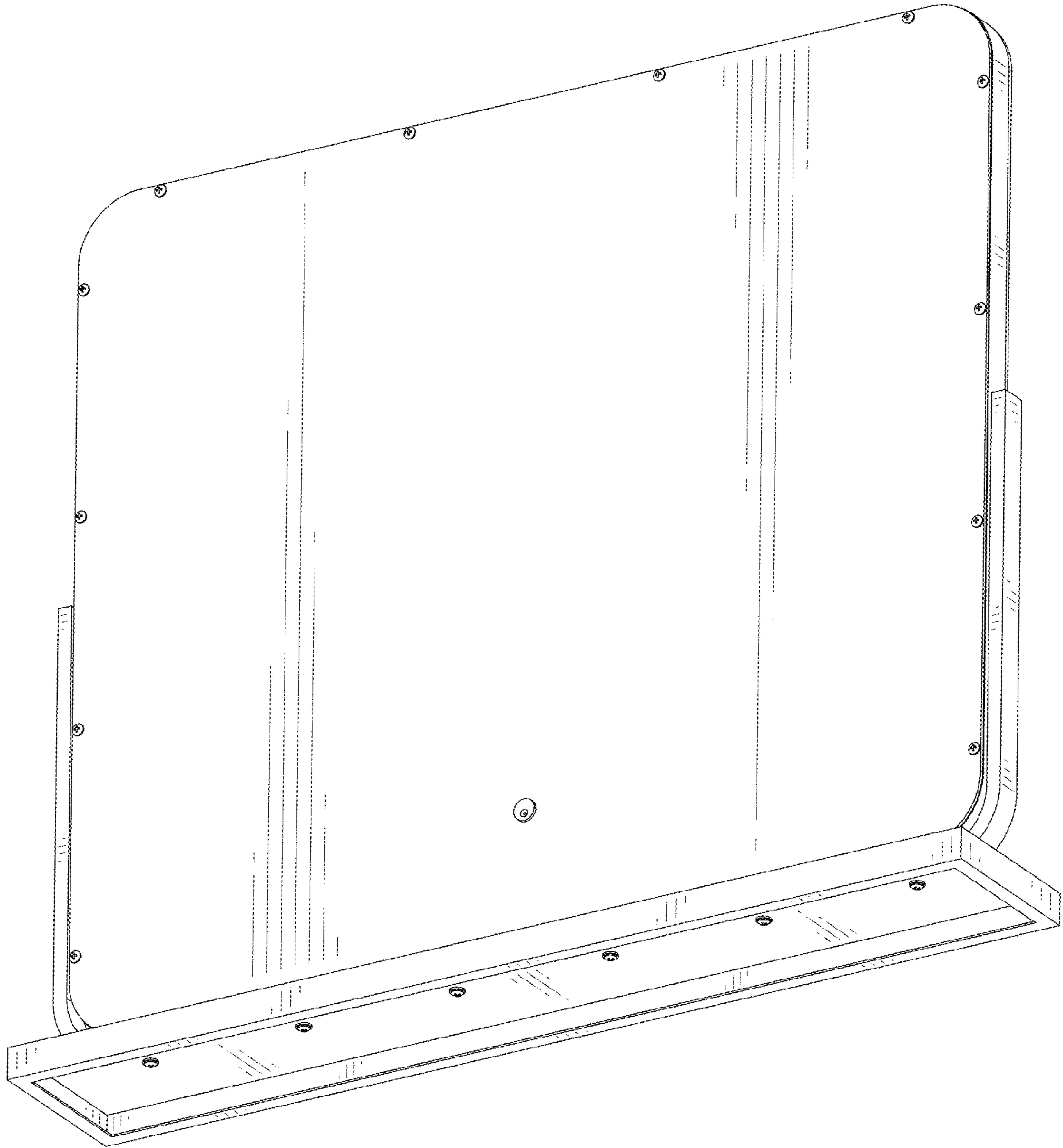


FIG. 18

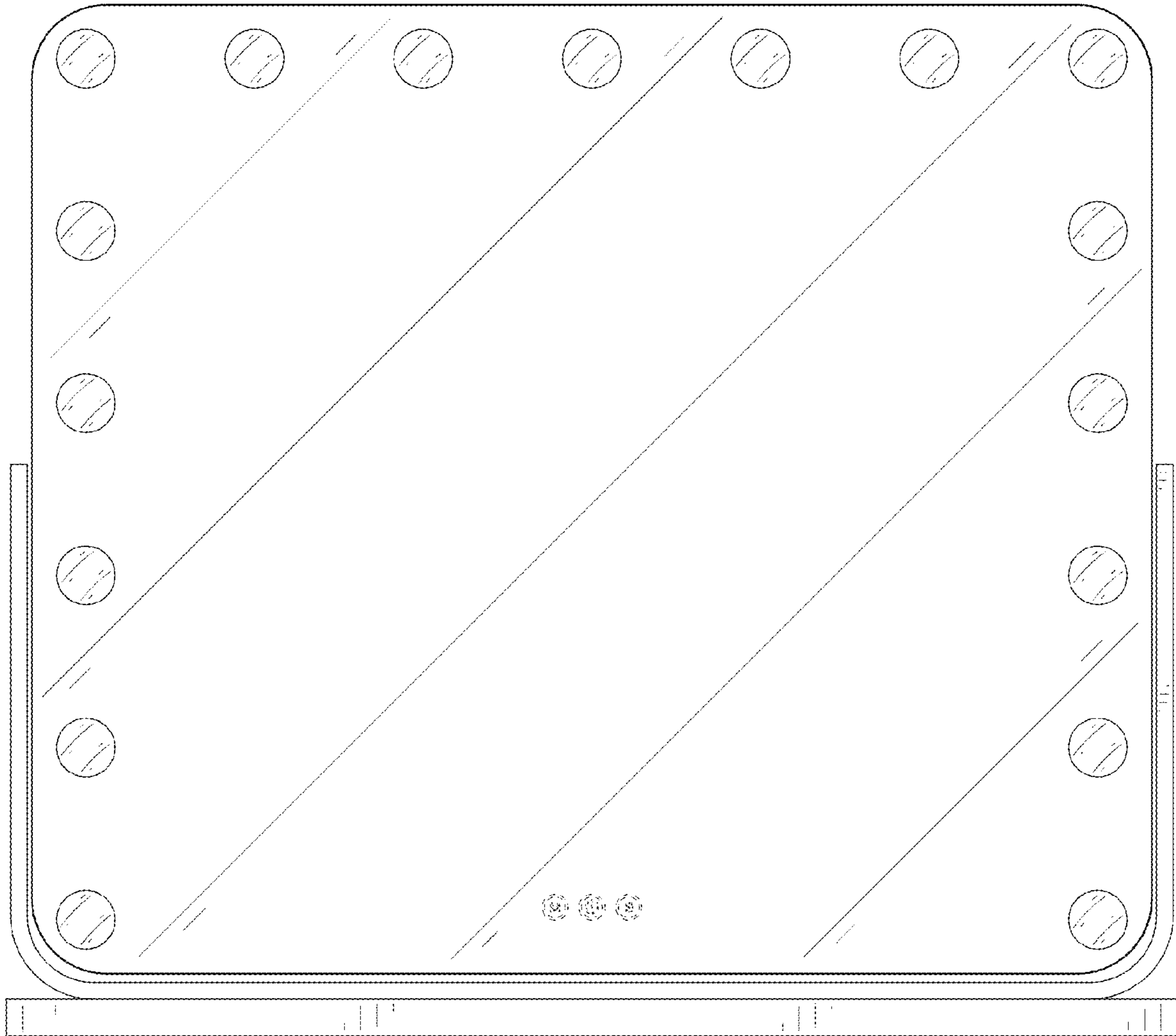


FIG. 19

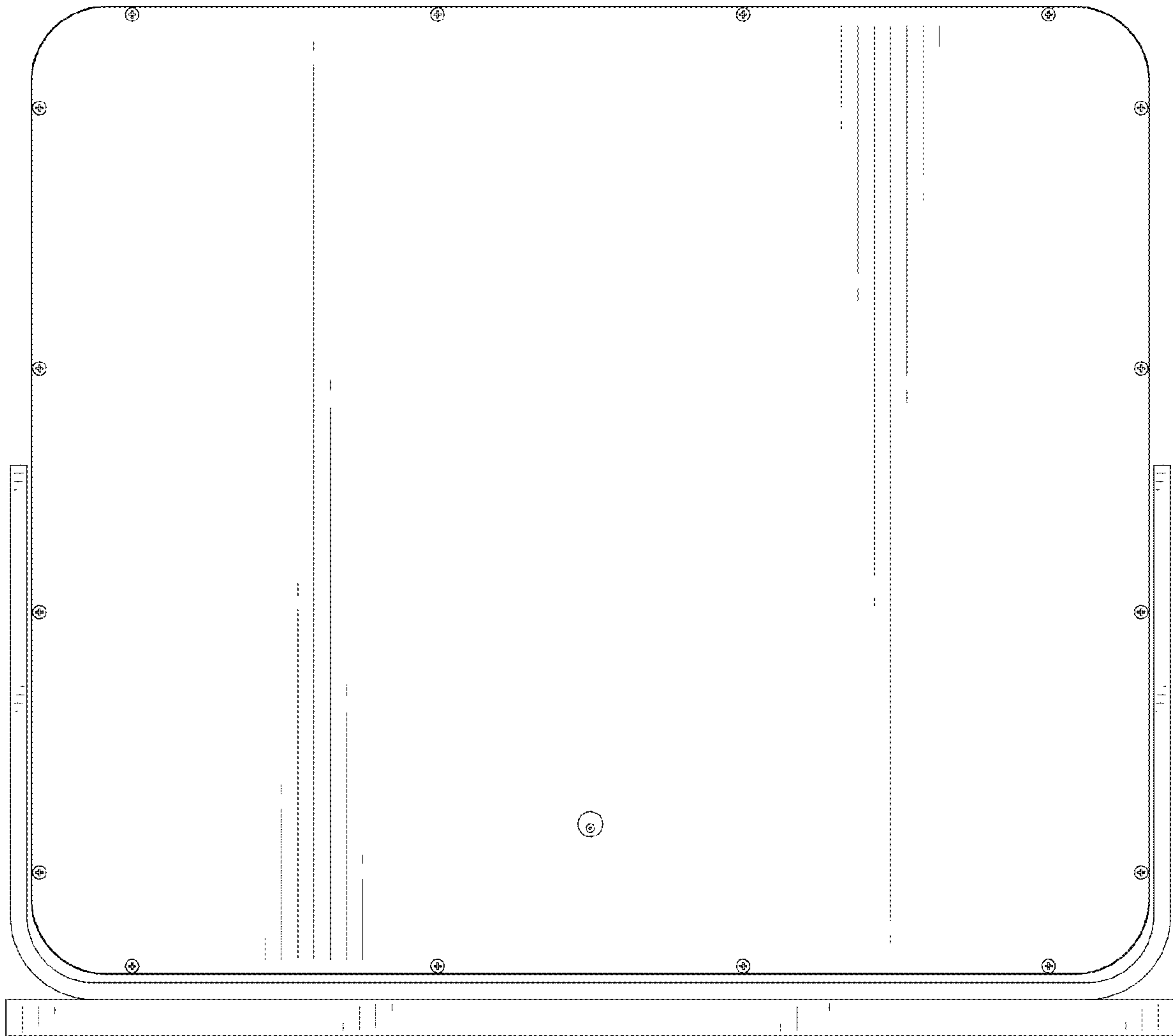


FIG. 20

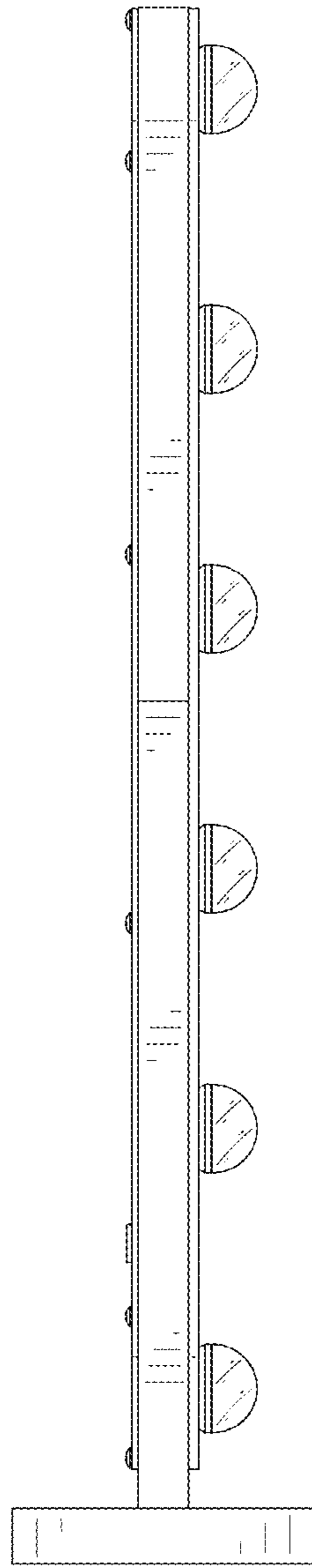


FIG. 21

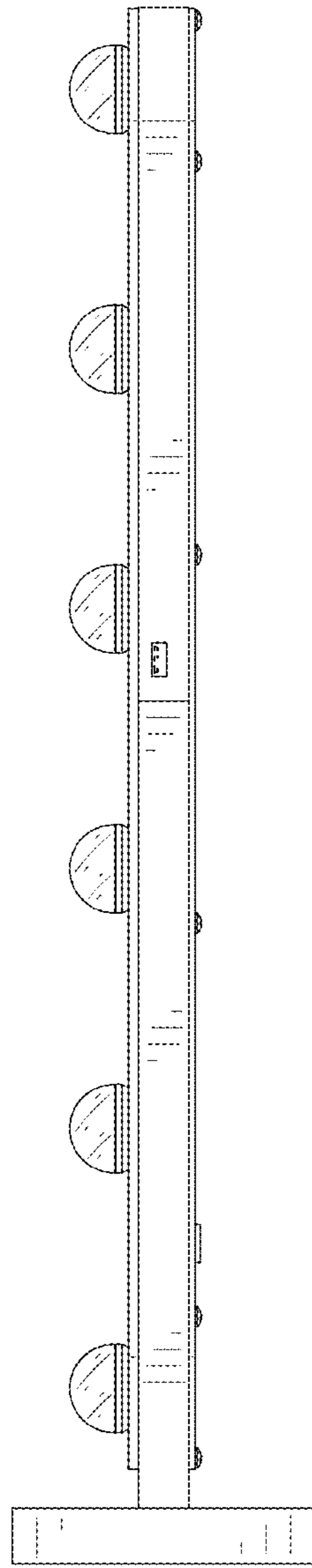


FIG. 22

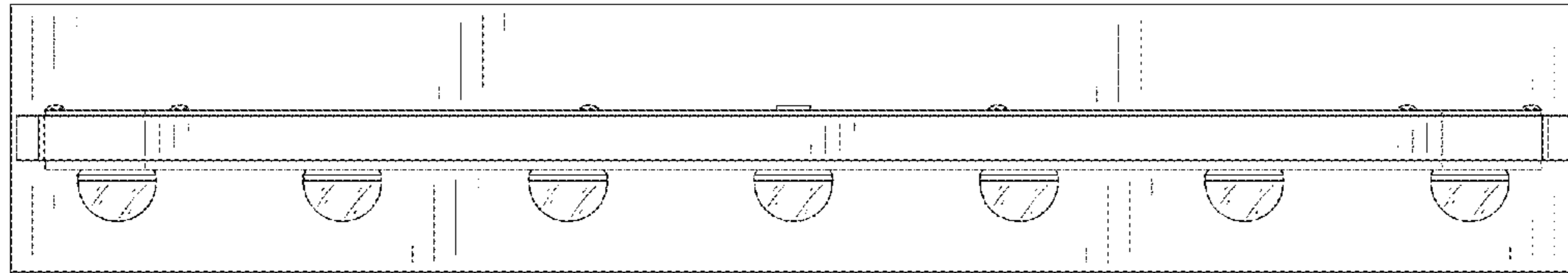


FIG. 23

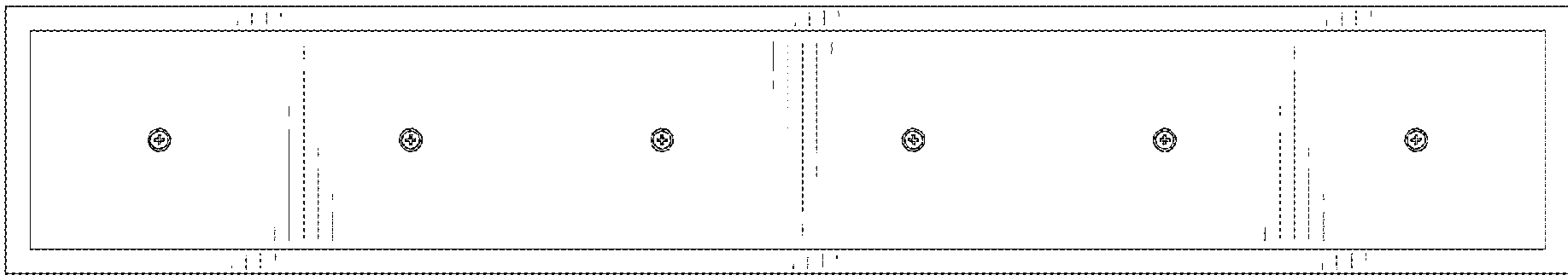


FIG. 24