



US00D923938S

(12) **United States Design Patent** (10) **Patent No.:** **US D923,938 S**
Austin et al. (45) **Date of Patent:** **** Jul. 6, 2021**

(54) **TOOL BIT CONTAINER**

(56) **References Cited**

(71) Applicant: **Black & Decker Inc.**, New Britain, CT (US)

U.S. PATENT DOCUMENTS

(72) Inventors: **Lauren M. Austin**, Owings Mills, MD (US); **Marco Lourenco**, Baltimore, MD (US)

D365,681 S *	1/1996	Chow	D3/315
D548,971 S *	8/2007	Lin	D3/294
D617,987 S *	6/2010	Wang	D3/294
D659,396 S *	5/2012	Hsu	D3/294
D712,137 S *	9/2014	Hsu	D3/228
D753,917 S *	4/2016	Koeniger	D3/294
D785,938 S *	5/2017	Ou	D3/282
D789,086 S *	6/2017	Lin	D3/294
D814,187 S *	4/2018	Caglar	D3/276
D848,738 S *	5/2019	Zhao	D3/294
D858,994 S *	9/2019	Chang	D3/318
D858,995 S *	9/2019	Chang	D3/318
D866,967 S *	11/2019	Meng	D3/294

(73) Assignee: **Black & Decker Inc.**, New Britain, CT (US)

(**) Term: **15 Years**

* cited by examiner

(21) Appl. No.: **29/728,202**

Primary Examiner — Charles D Hanson

(22) Filed: **Mar. 17, 2020**

(74) *Attorney, Agent, or Firm* — Scott B. Markow

Related U.S. Application Data

(63) Continuation of application No. 29/629,269, filed on Dec. 12, 2017, now Pat. No. Des. 834,563.

(57) **CLAIM**

The ornamental design for a tool bit container, as shown and described.

(51) **LOC (13) Cl.** **03-03**

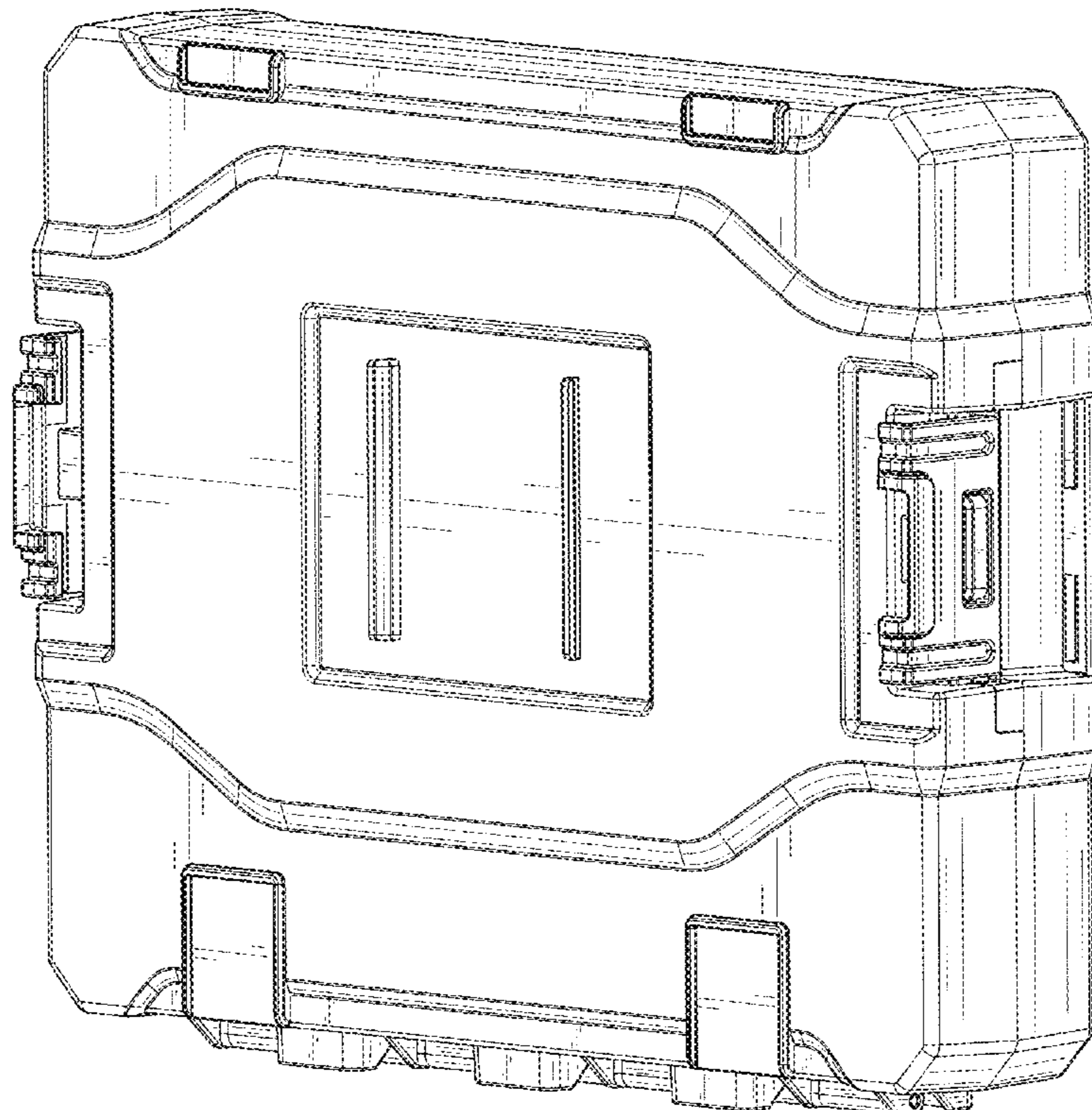
(52) **U.S. Cl.**
USPC **D3/315; D3/294**

DESCRIPTION

(58) **Field of Classification Search**
USPC D3/315
CPC . B25H 3/00; B25H 3/02; B25H 3/003; B25H 3/023; B25H 3/028; B25H 3/06; B25H 3/021; B25H 1/04; B25H 1/12
See application file for complete search history.

FIG. 1 is a perspective view of a first embodiment of a tool bit container.
FIG. 2 is a front view of the tool bit container of FIG. 1.
FIG. 3 is a rear view of the tool bit container of FIG. 1.
FIG. 4 is a left view of the tool bit container of FIG. 1.
FIG. 5 is a right view of the tool bit container of FIG. 1.
FIG. 6 is a top view of the tool bit container of FIG. 1; and, FIG. 7 is a bottom view of the tool bit container of FIG. 1.

1 Claim, 6 Drawing Sheets



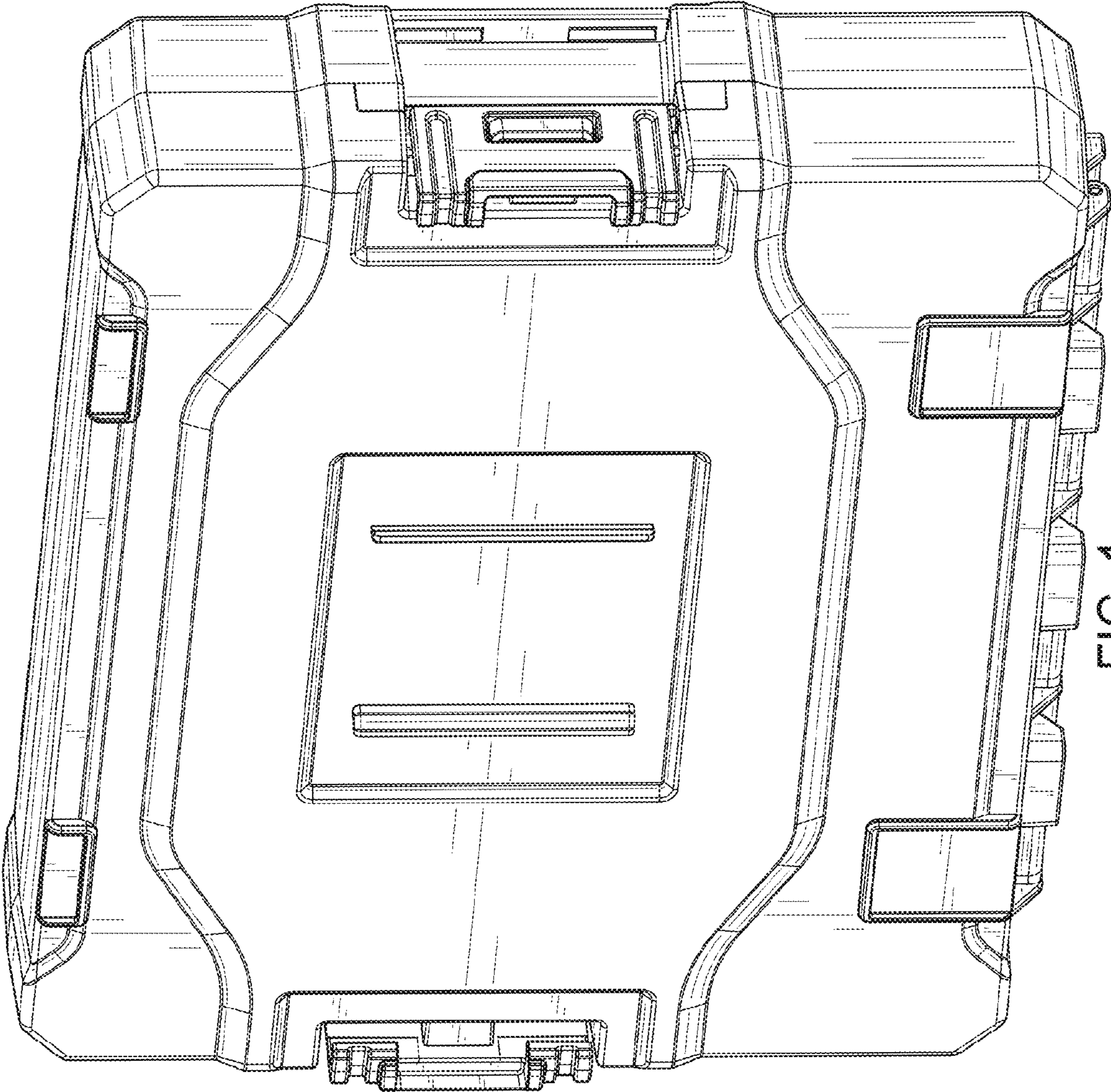


FIG. 1

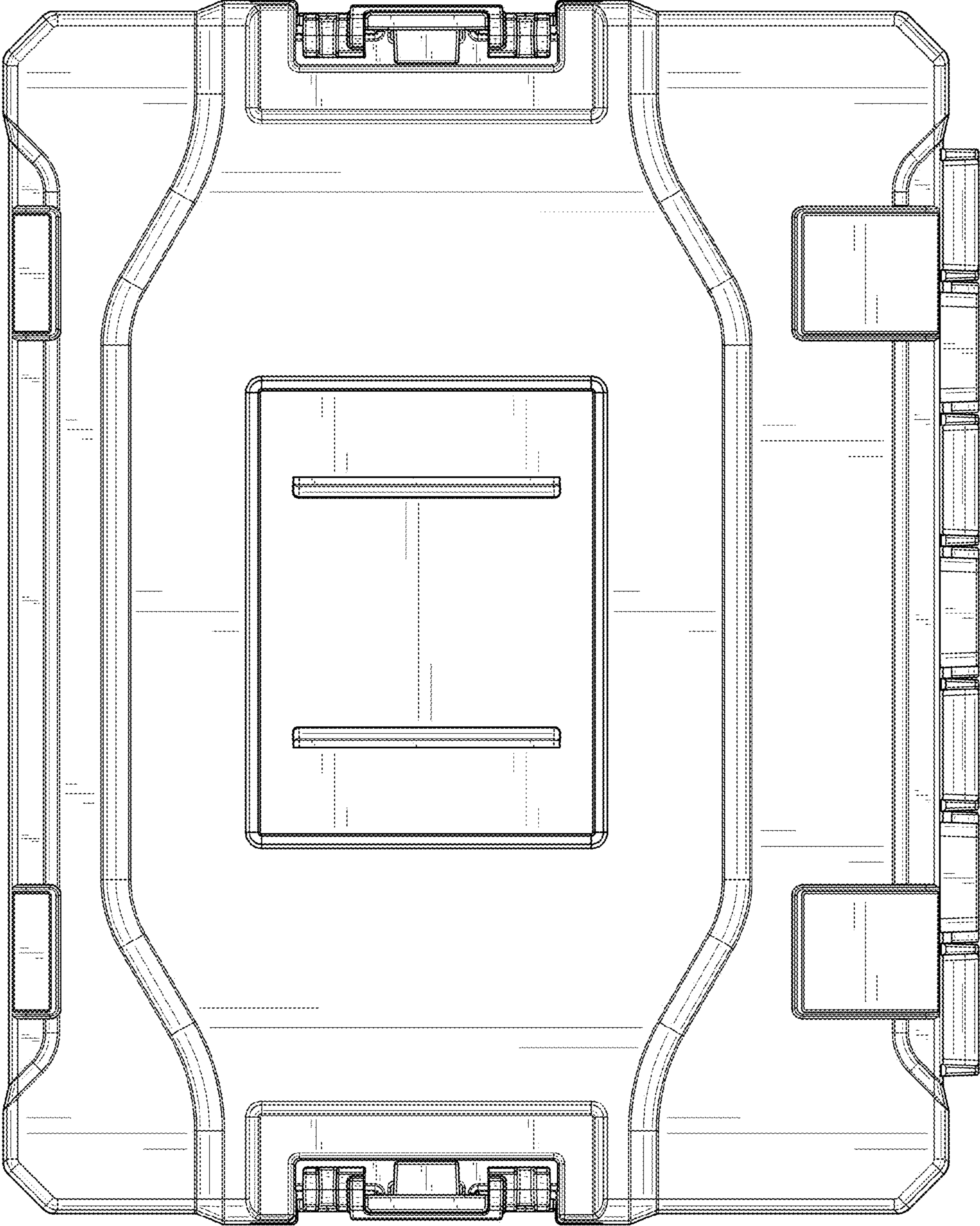


FIG. 2

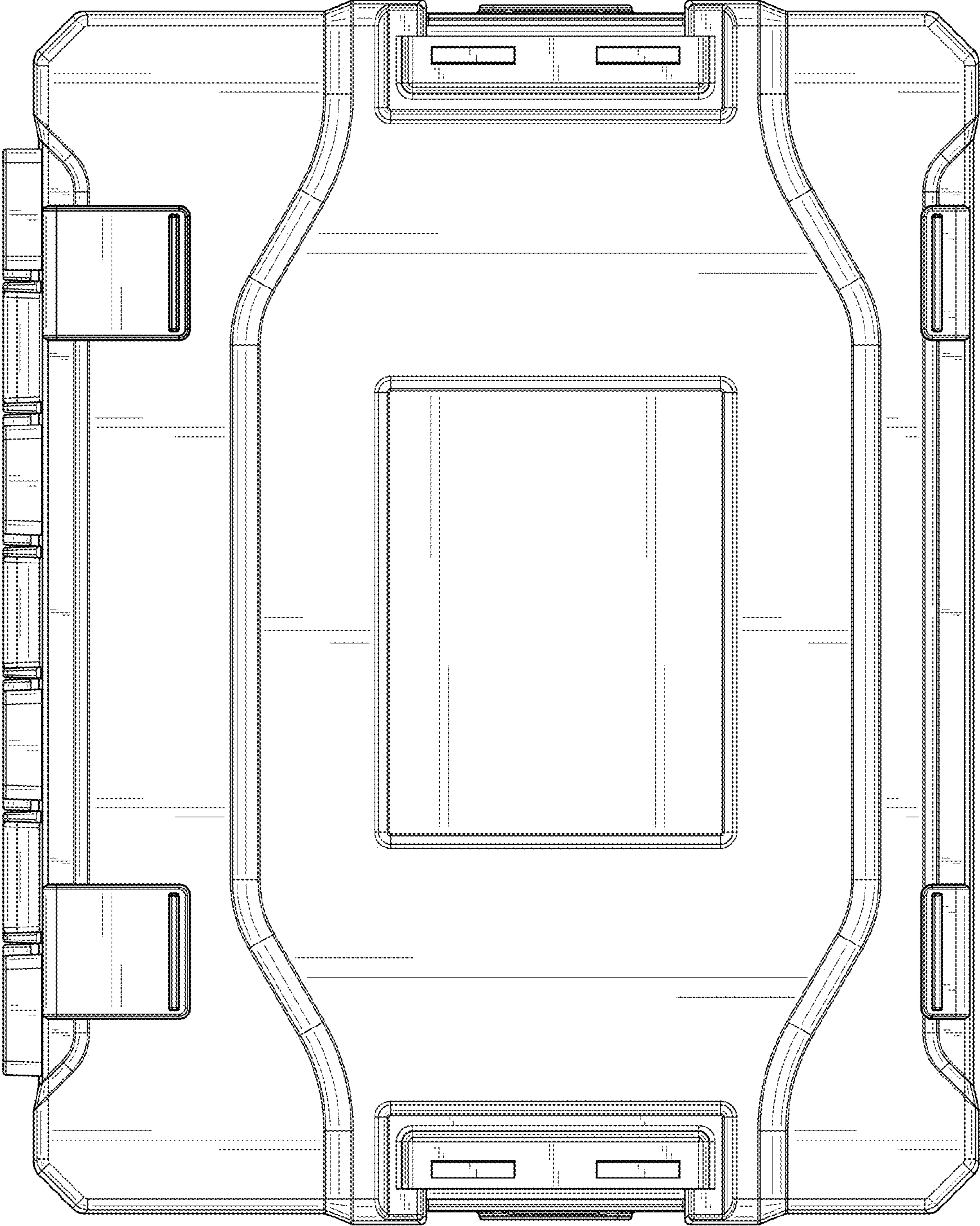


FIG. 3

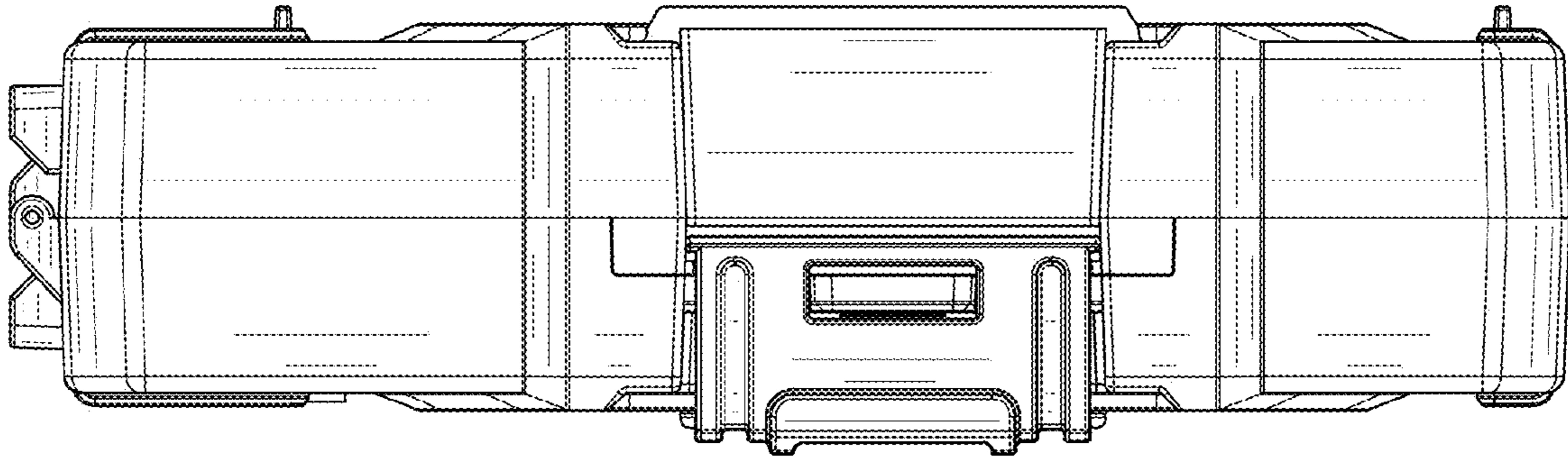


FIG. 4

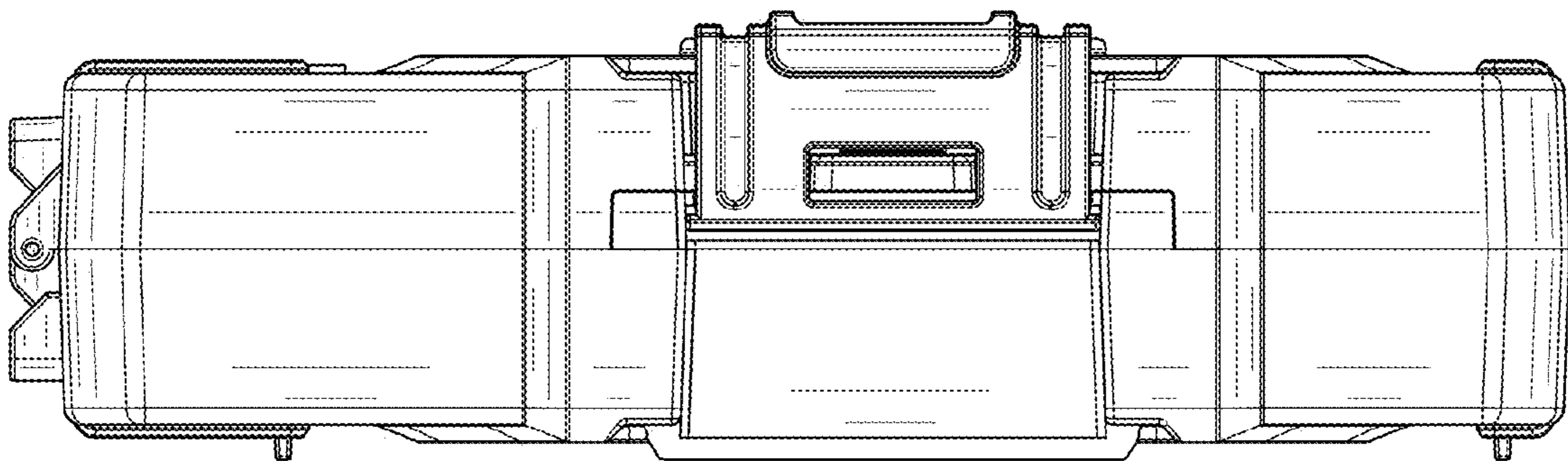


FIG. 5

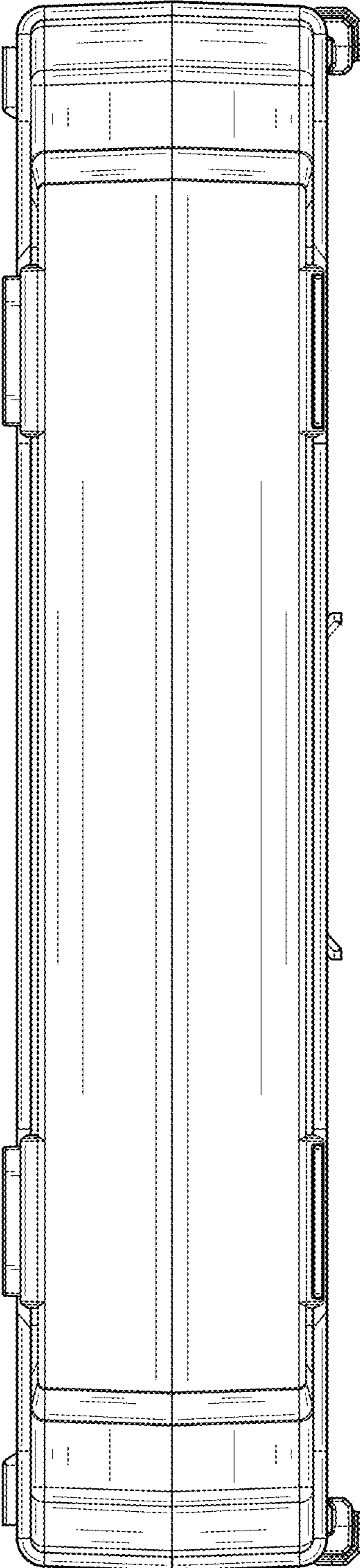


FIG. 6

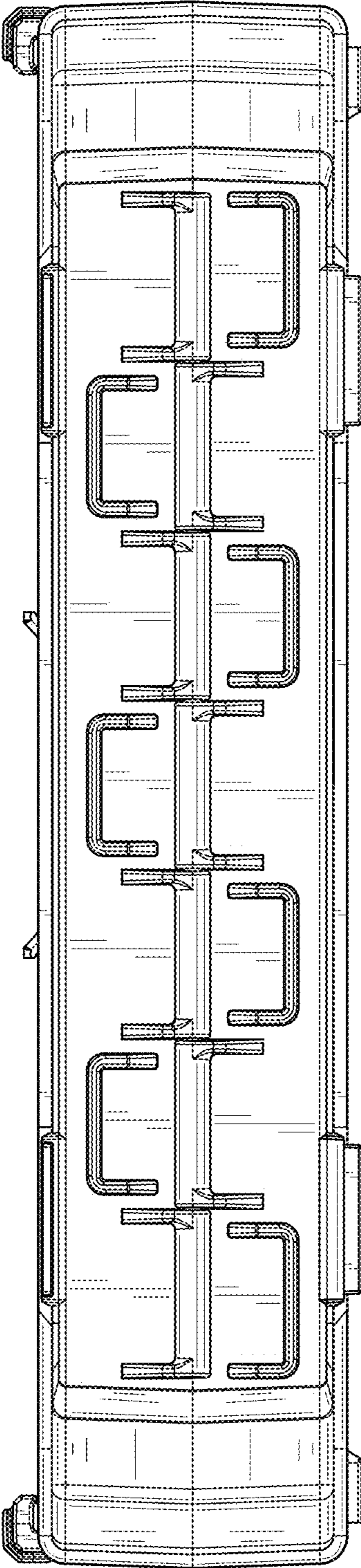


FIG. 7