



US00D923937S

(12) **United States Design Patent** (10) **Patent No.:** **US D923,937 S**  
**Mazor** (45) **Date of Patent:** **\*\* Jul. 6, 2021**

(54) **CONTAINER**

(71) Applicant: **Keter Luxembourg Sarl**, Niedercorn (LU)

(72) Inventor: **Reut Mazor**, Herzliya (IL)

(73) Assignee: **Keter Luxembourg Sari**, Luxembourg (LU)

(\*) Notice: This patent is subject to a terminal disclaimer.

(\*\*) Term: **15 Years**

(21) Appl. No.: **29/679,552**

(22) Filed: **Feb. 7, 2019**

(51) **LOC (13) Cl.** ..... **09-04**

(52) **U.S. Cl.**  
USPC ..... **D3/306**

(58) **Field of Classification Search**

USPC ..... D3/306, 304-15, 27; D5/47, 56;  
D7/667, 601; D8/356, 359; D6/512,  
D6/525, 672, 675

CPC ..... B65D 1/00; B65D 5/4607; B65D 81/3813  
See application file for complete search history.

(56) **References Cited**

**U.S. PATENT DOCUMENTS**

- 512,404 A \* 1/1894 Springer et al. .... B65D 9/10  
217/122
- 6,698,612 B1 \* 3/2004 Krasky ..... A47G 7/08  
206/457
- D489,287 S \* 5/2004 Harbaugh ..... D11/149
- D516,815 S \* 3/2006 Peller ..... D3/306

(Continued)

*Primary Examiner* — Kevin K Rudzinski

*Assistant Examiner* — Amber J Rabie

(74) *Attorney, Agent, or Firm* — Dorsey & Whitney LLP

(57) **CLAIM**

I claim the ornamental design for a container, as shown and described.

**DESCRIPTION**

FIG. 1 is a top perspective view of a first embodiment of a new design for a container;

FIG. 2 is a front elevational view thereof; the rear elevational view thereof being identical;

FIG. 3 is a side elevational view thereof; the other side elevational view thereof being identical;

FIG. 4 is a top plan view thereof;

FIG. 5 is a bottom plan view thereof;

FIG. 6 is a top perspective view of a second embodiment of a new design for a container;

FIG. 7 is a front elevational view thereof; the rear elevational view thereof being identical;

FIG. 8 is a side elevational view thereof; the other side elevational view thereof being identical;

FIG. 9 is a top plan view thereof;

FIG. 10 is a bottom plan view thereof;

FIG. 11 is a top perspective view of a third embodiment of a new design for a container;

FIG. 12 is a bottom perspective view thereof;

FIG. 13 is a side elevational view thereof; the other side elevational view thereof being identical;

FIG. 14 is a front elevational view thereof; the rear elevational view thereof being identical;

FIG. 15 is a top plan view thereof;

FIG. 16 is a bottom plan view thereof;

FIG. 17 is a top perspective view of a fourth embodiment of a new design for a container;

FIG. 18 is a bottom perspective view thereof;

FIG. 19 is a side elevational view thereof; the other side elevational being identical;

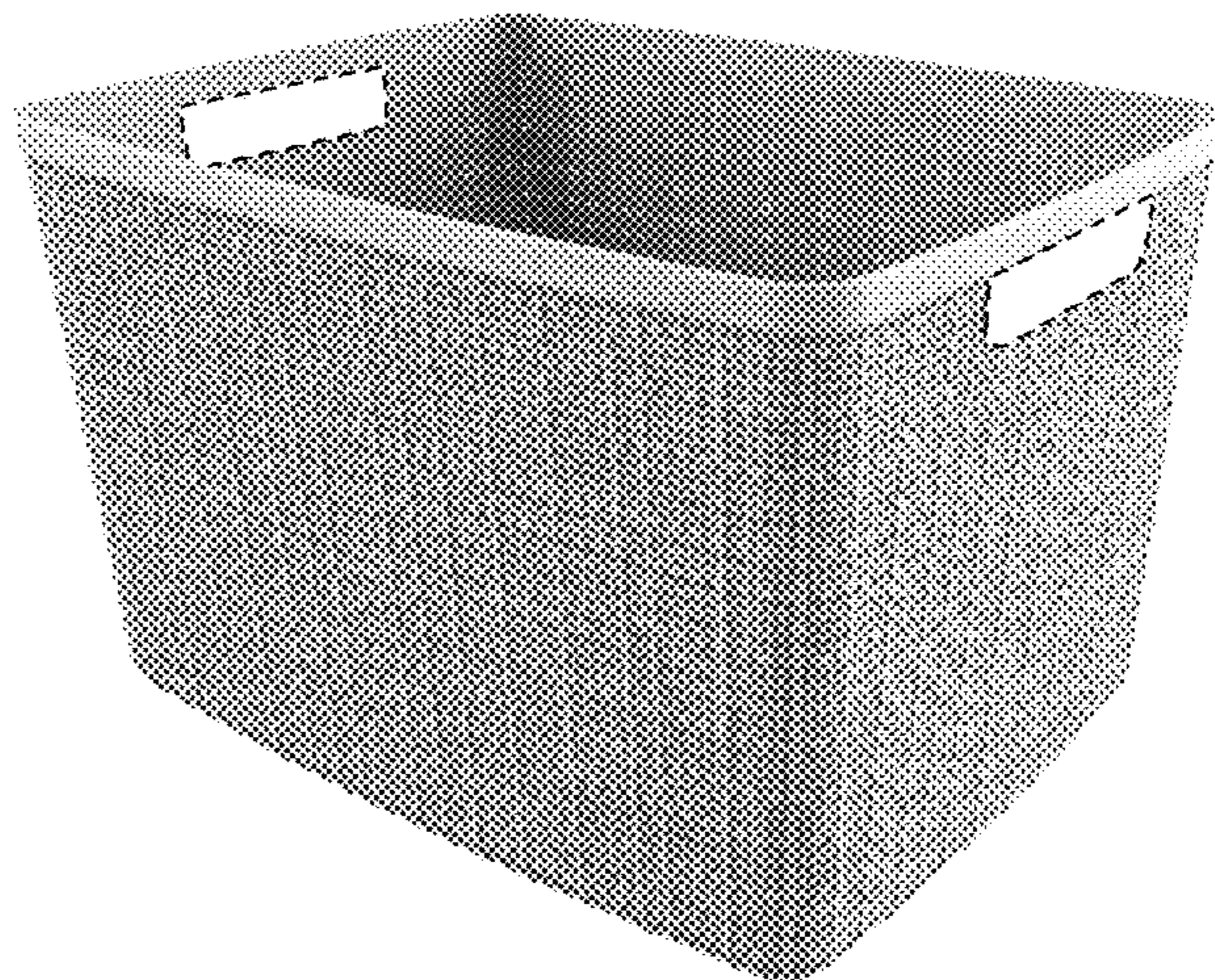
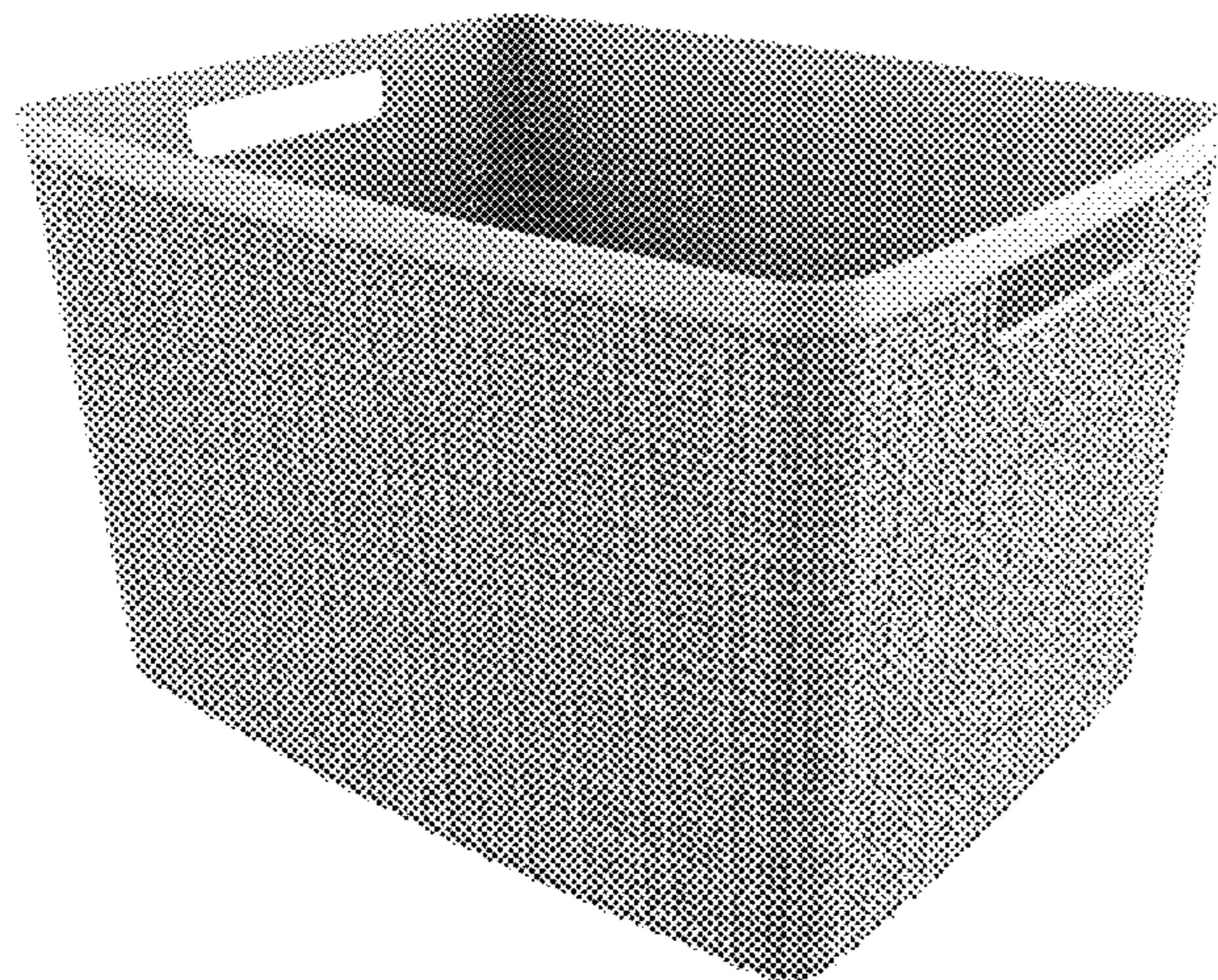
FIG. 20 is a front elevational view thereof; the rear elevational view being identical;

FIG. 21 is a top plan view thereof; and,

FIG. 22 is a bottom plan view thereof.

The areas delineated in broken lines and colored in white form no part of the claimed design.

**1 Claim, 22 Drawing Sheets**



(56)

## References Cited

## U.S. PATENT DOCUMENTS

D518,551 S *	4/2006	Moren	.....	D22/136
D563,163 S *	3/2008	Blouw	.....	D7/409
D643,583 S *	8/2011	Duvigneau	.....	D32/37
D643,585 S *	8/2011	Duvigneau	.....	D32/37
D653,063 S *	1/2012	Post	.....	D6/705.6
D699,411 S *	2/2014	Duvigneau	.....	D32/37
D706,507 S *	6/2014	Duvigneau	.....	D32/37
D735,602 S *	8/2015	Anderson	.....	D11/155
D760,115 S *	6/2016	Zhao	.....	D11/130
D777,434 S *	1/2017	Duvigneau	.....	D3/307
D789,089 S *	6/2017	Duvigneau	.....	D3/306
D802,927 S *	11/2017	Thoma	.....	D3/307
D807,036 S *	1/2018	Hardy	.....	D3/306
D814,872 S *	4/2018	Allers	.....	D7/545
D827,303 S *	9/2018	Duvigneau	.....	D3/312
D832,580 S *	11/2018	Sanchez-Vizcaino	.....	D3/312
D833,748 S *	11/2018	Ryan	.....	D3/306
D840,151 S *	2/2019	Mazor	.....	D3/306
D847,510 S *	5/2019	Post	.....	D3/306
D858,921 S *	9/2019	Duvigneau	.....	D34/7
D865,365 S *	11/2019	Hardy	.....	D3/306
D873,006 S *	1/2020	Zhao	.....	D3/277
D873,567 S *	1/2020	Hardy	.....	D3/306

\* cited by examiner

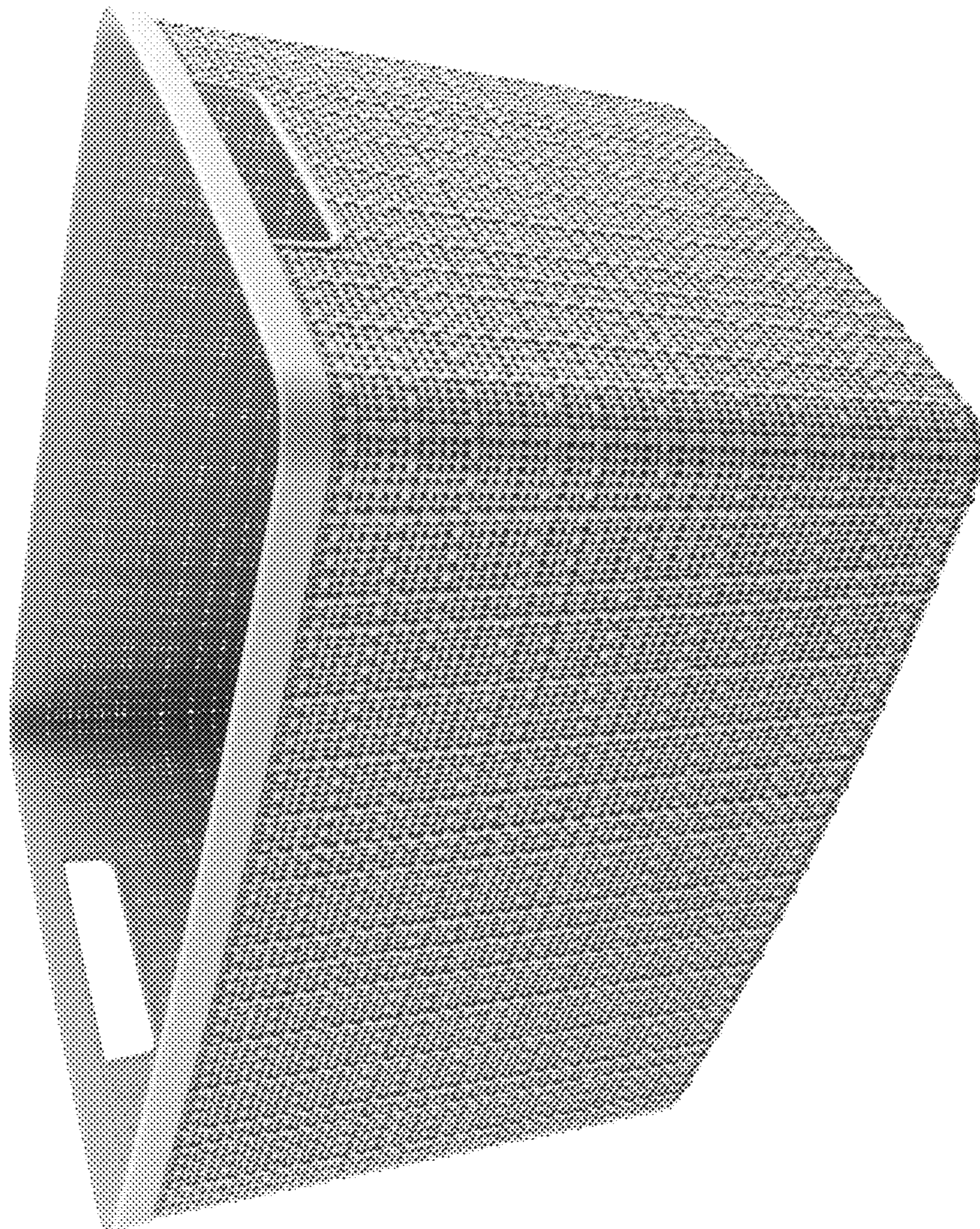


FIG. 1

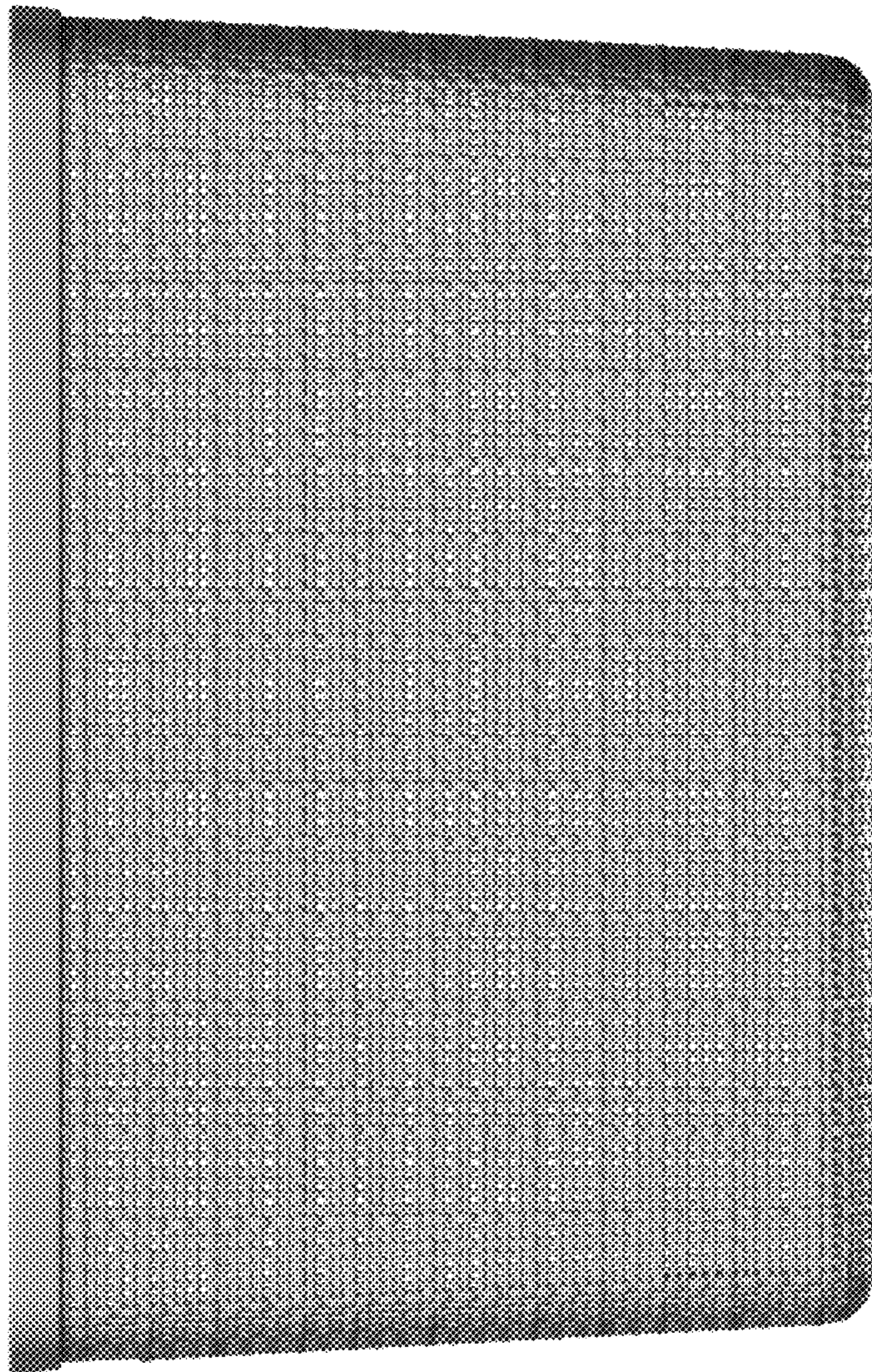


FIG. 2

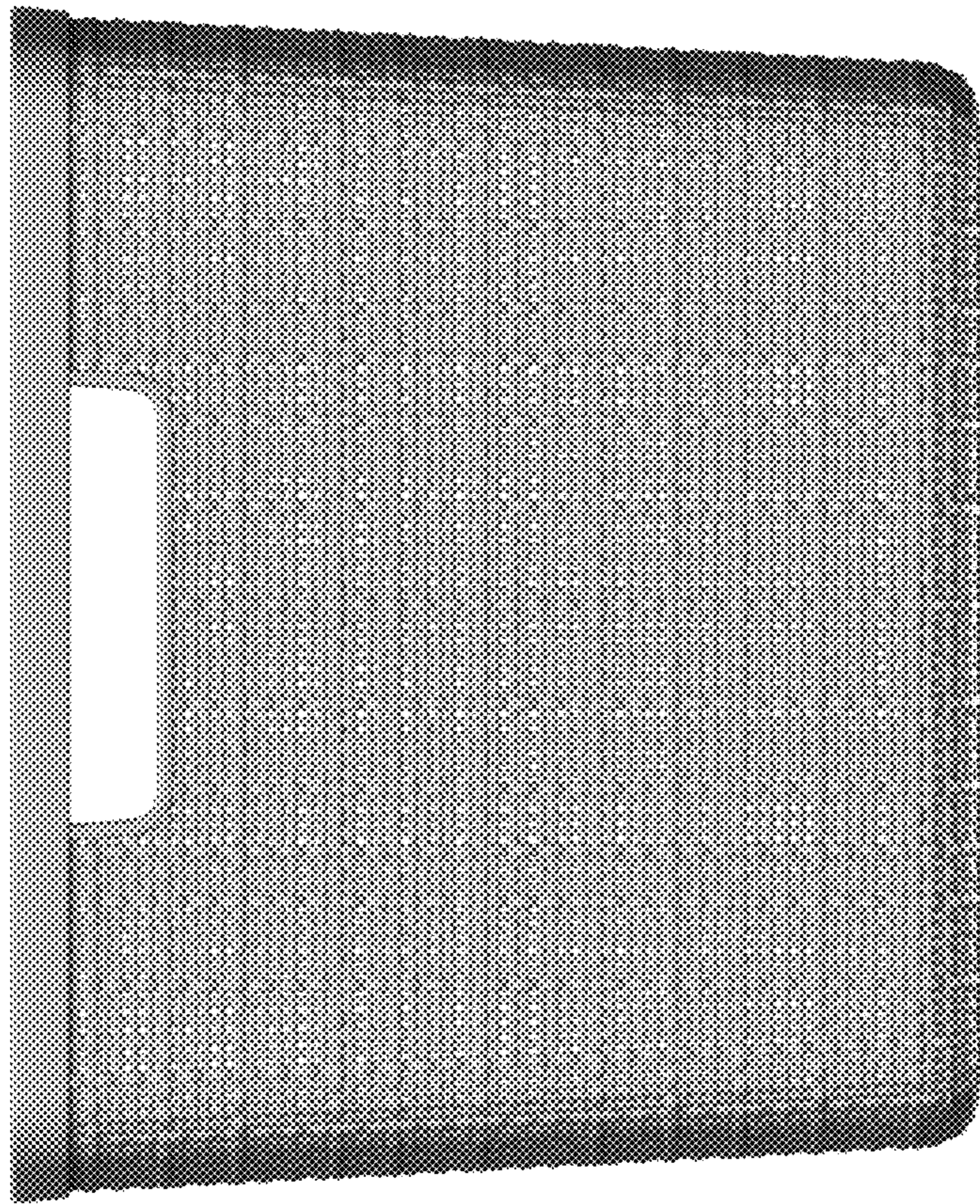


FIG. 3

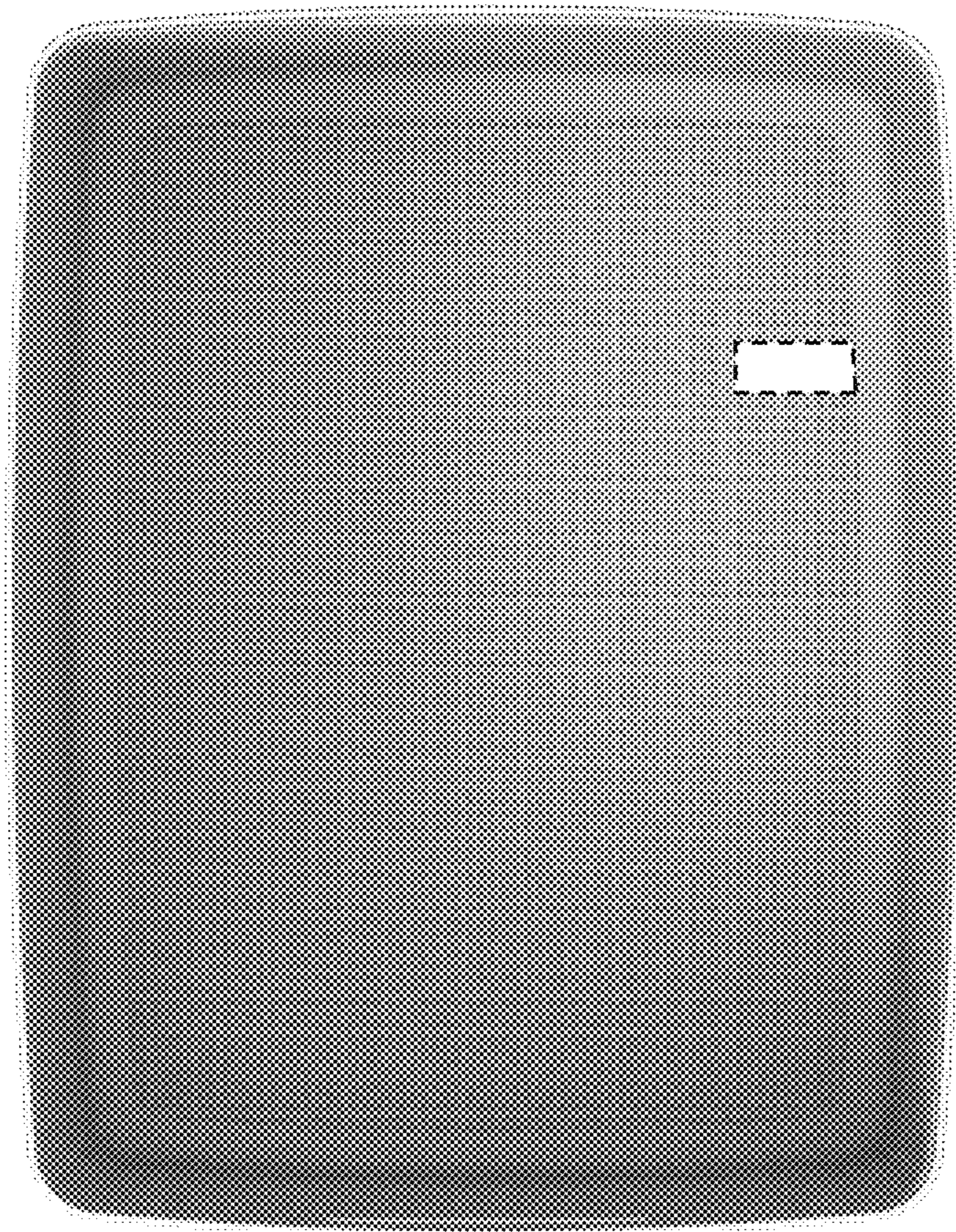


FIG. 4

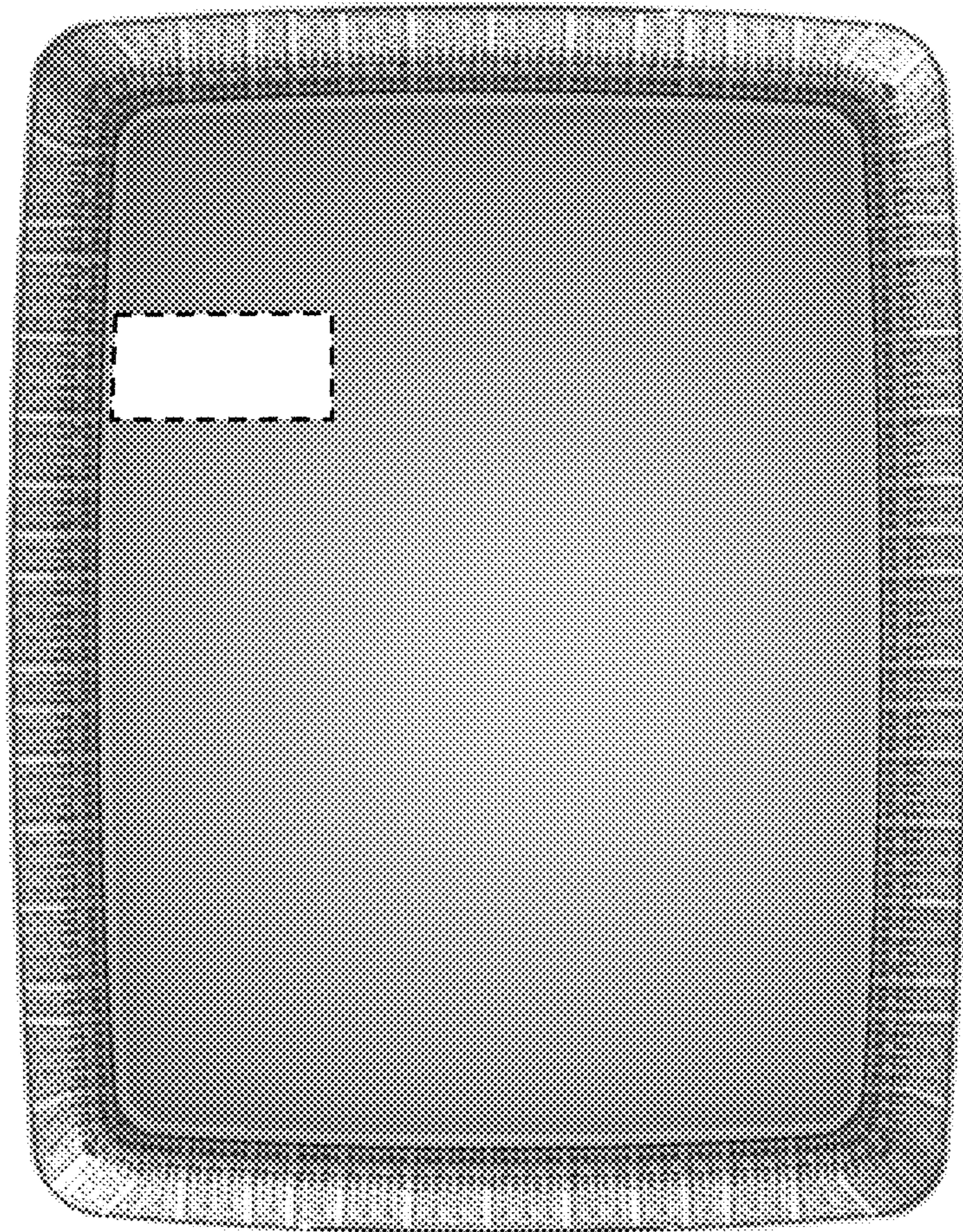


FIG. 5

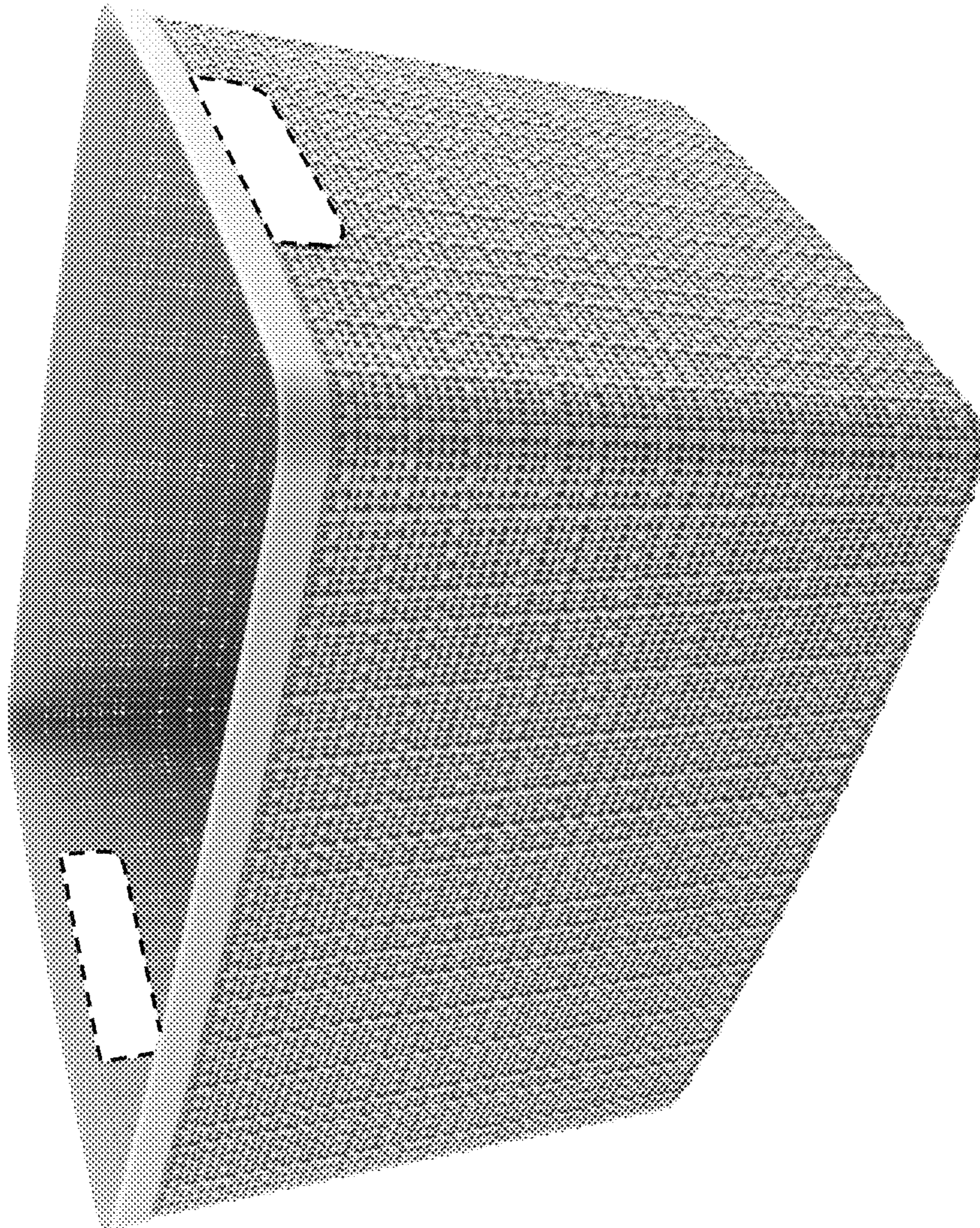


FIG. 6



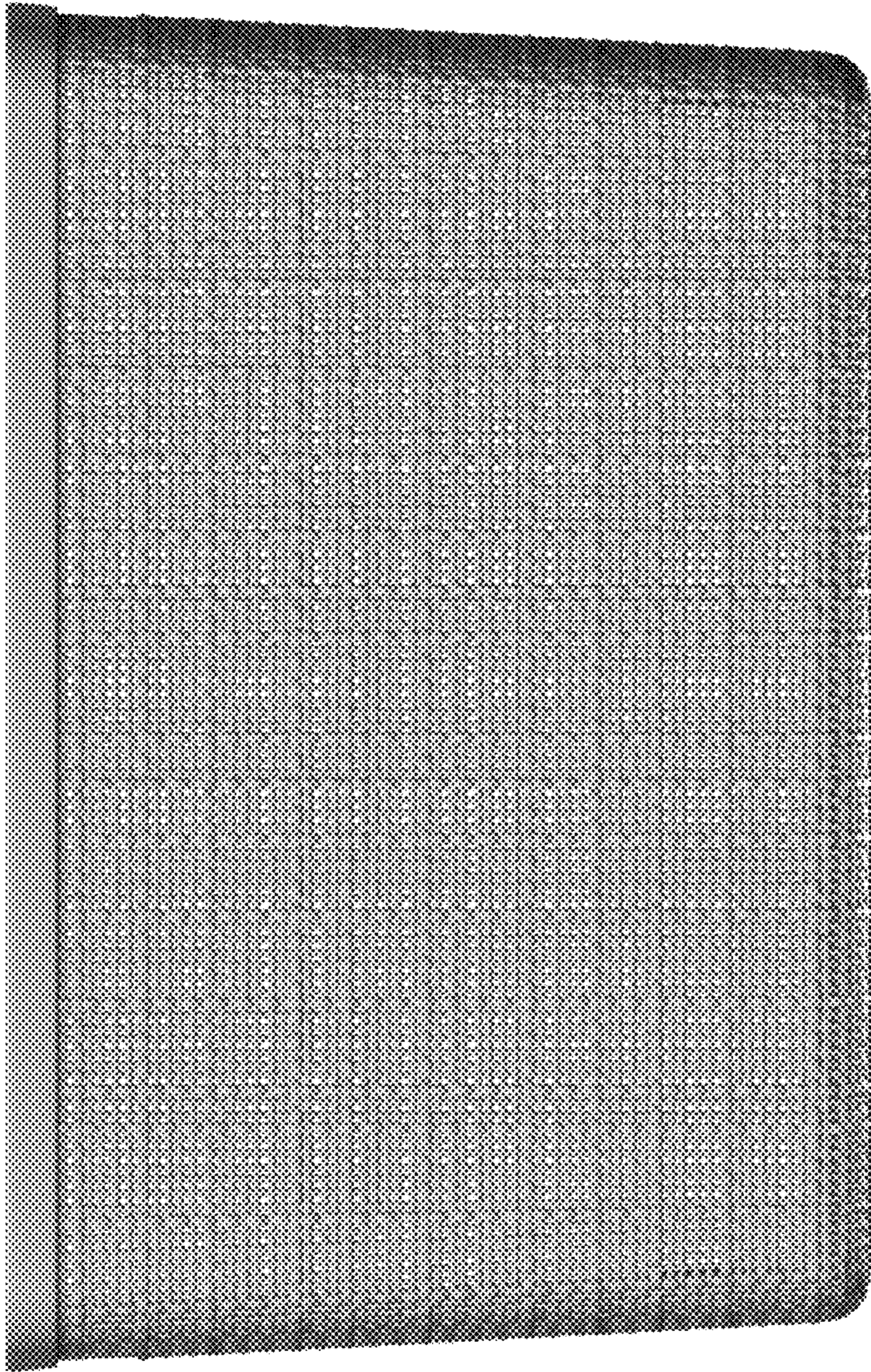


FIG. 7

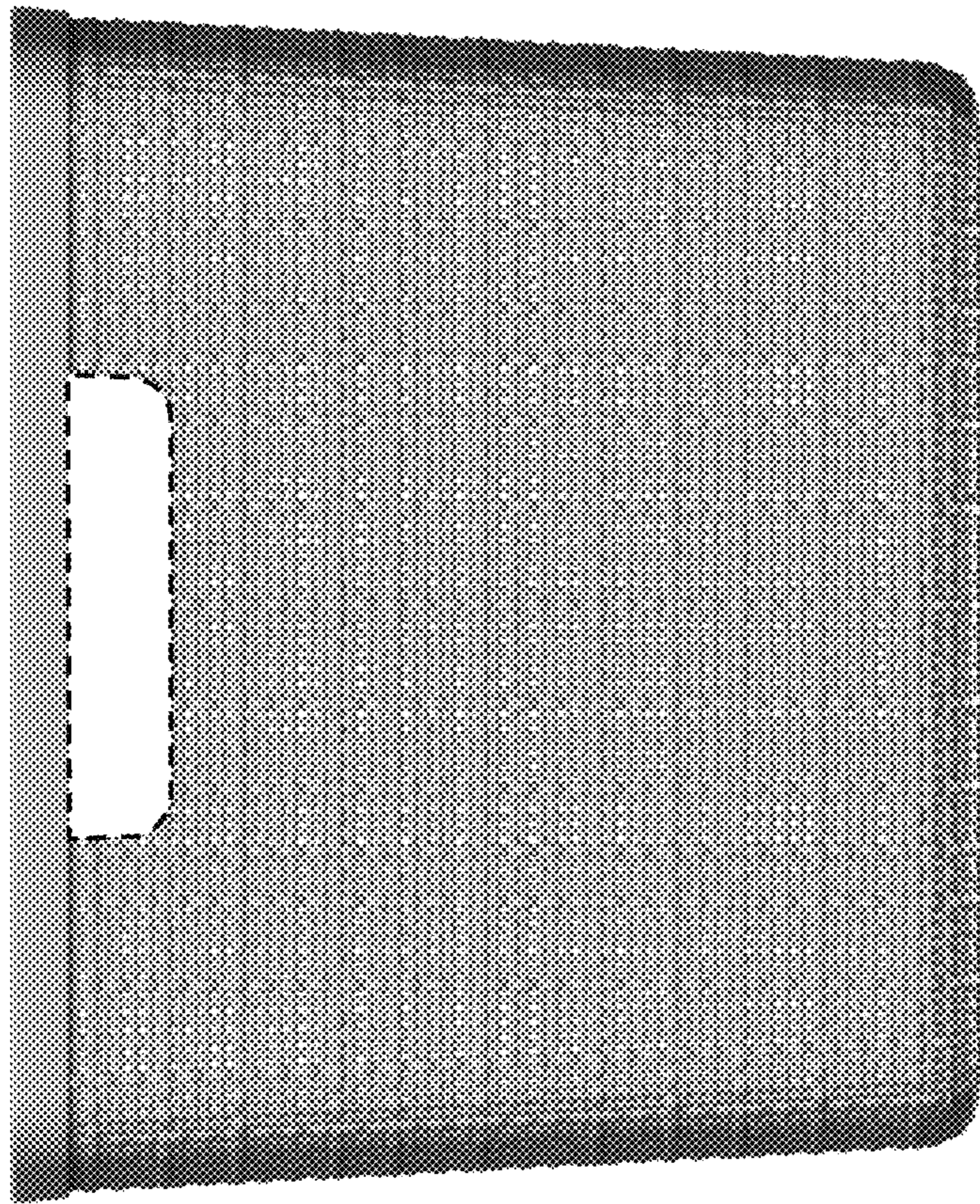


FIG. 8

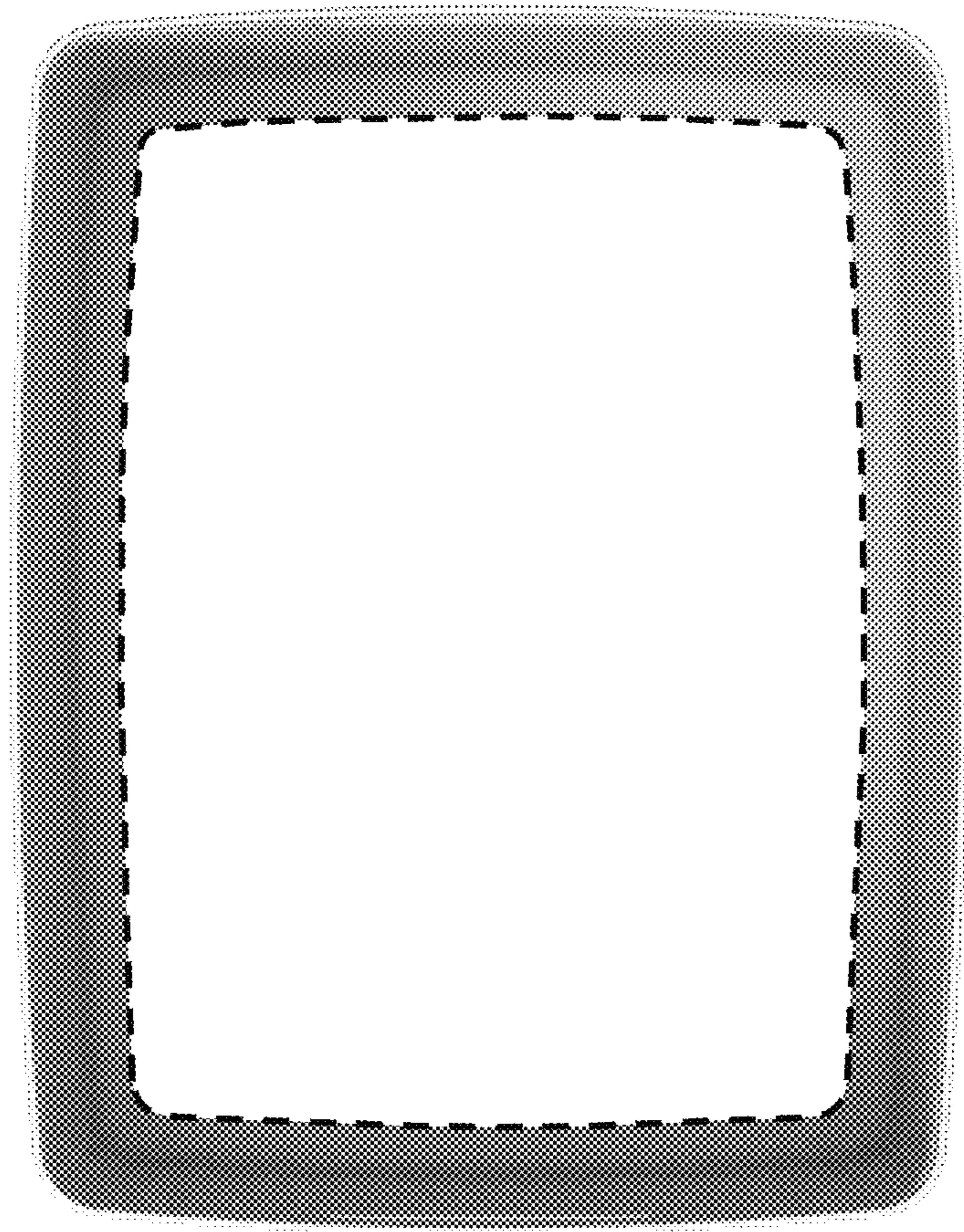


FIG. 9

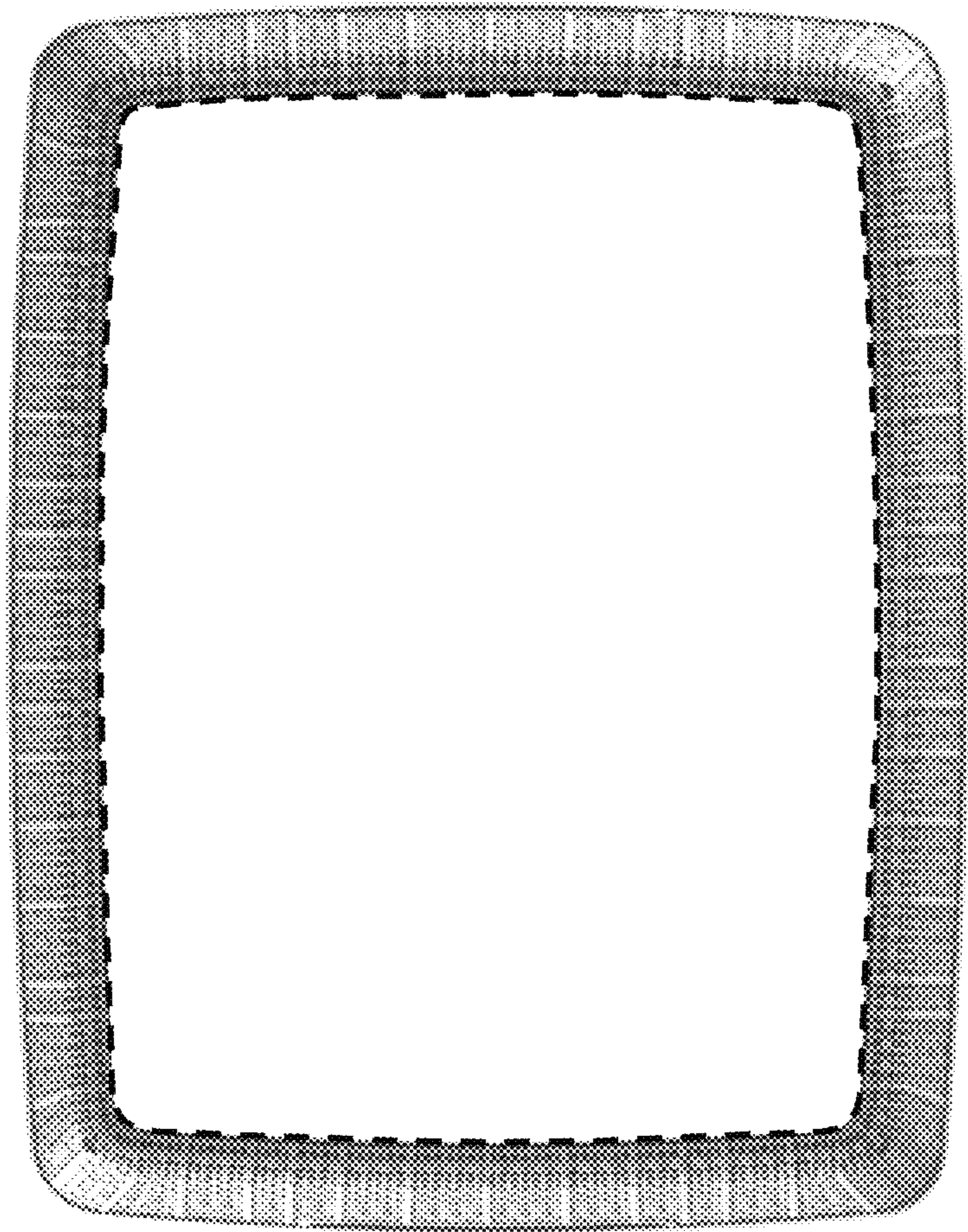


FIG. 10

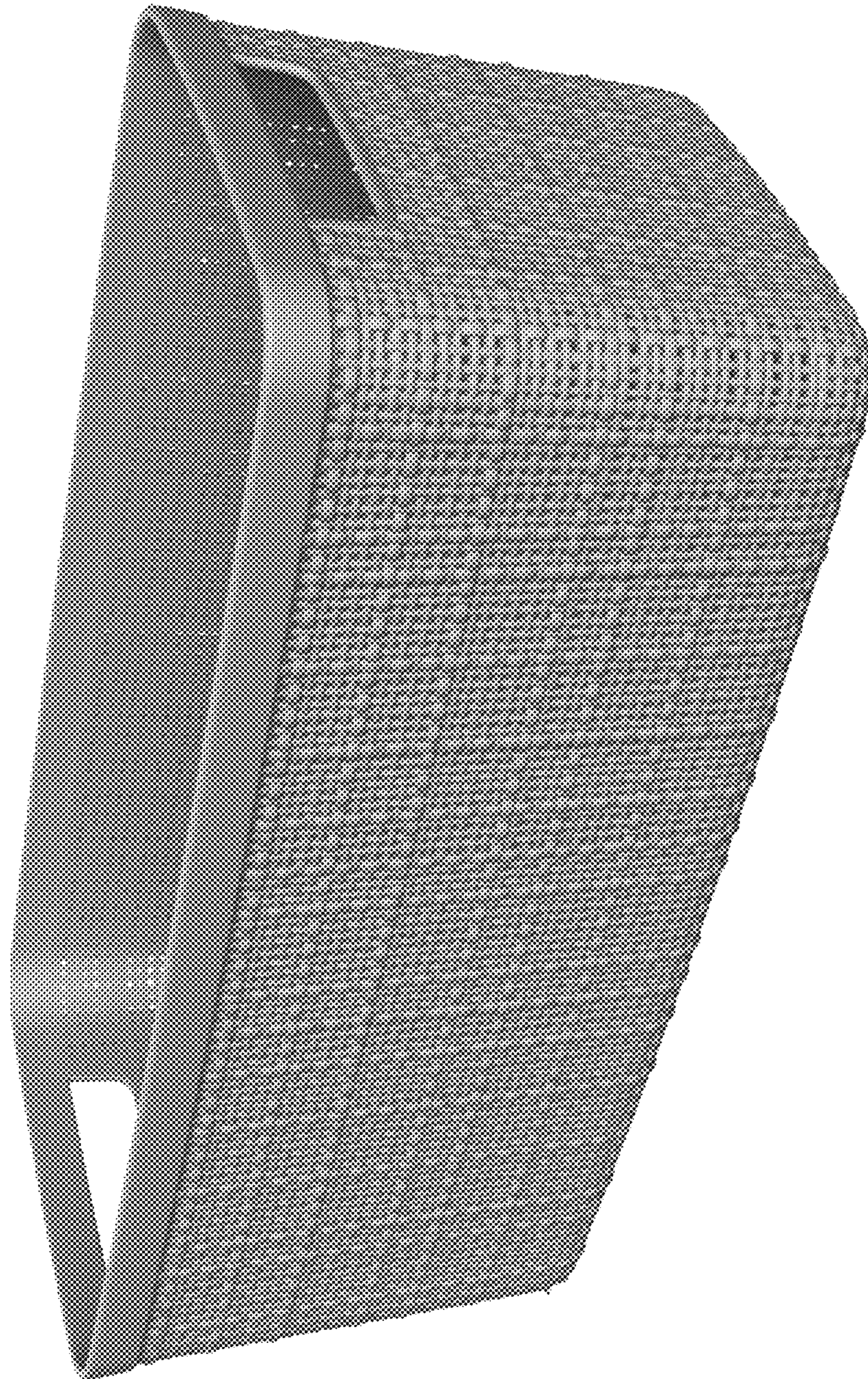


FIG. 11



FIG. 12

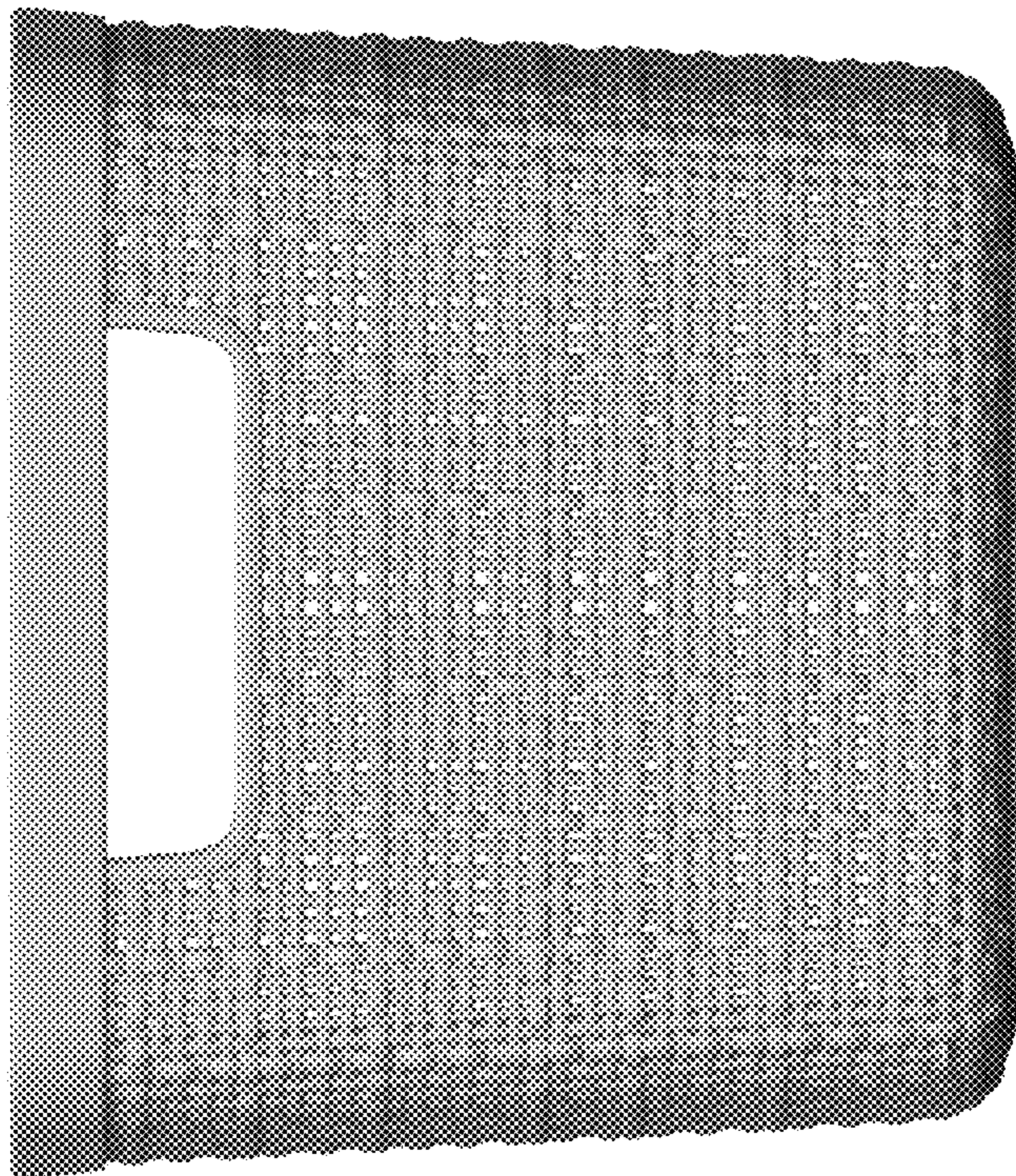


FIG. 13

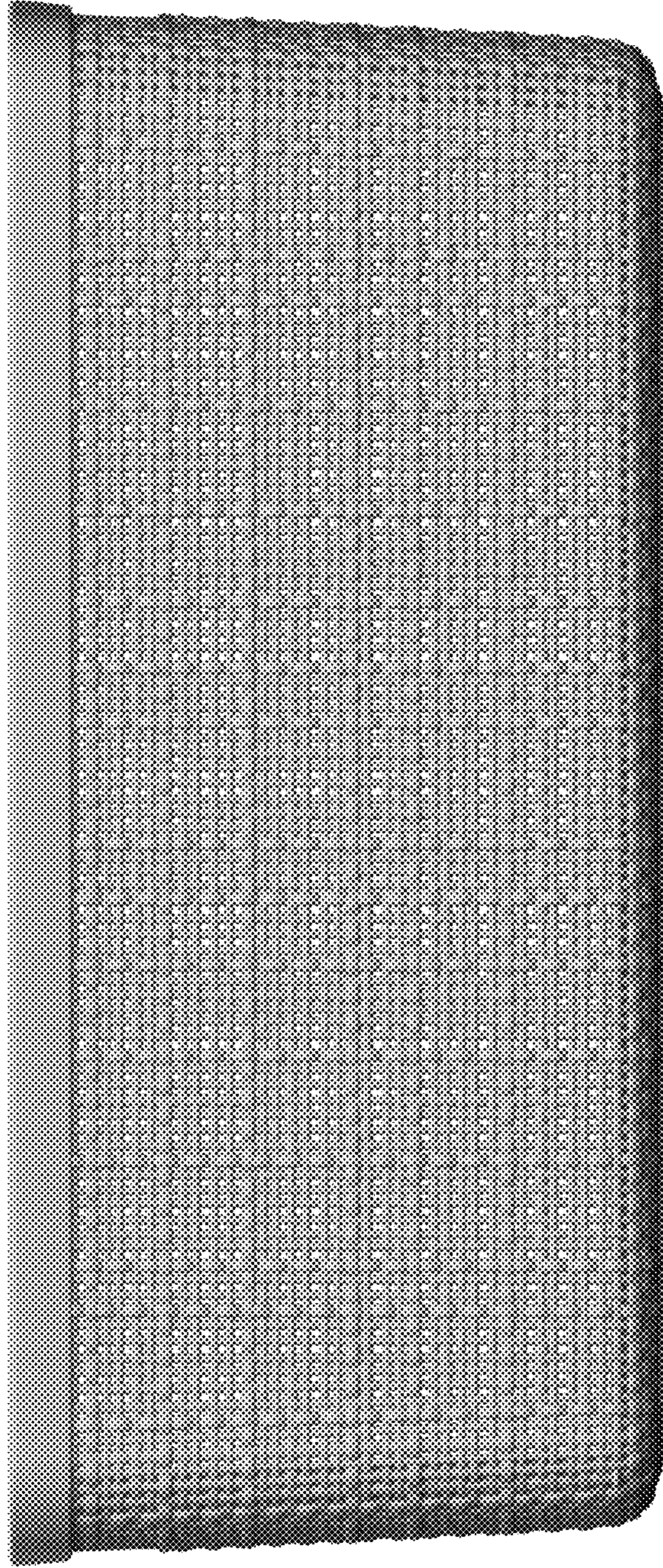


FIG. 14





FIG. 15

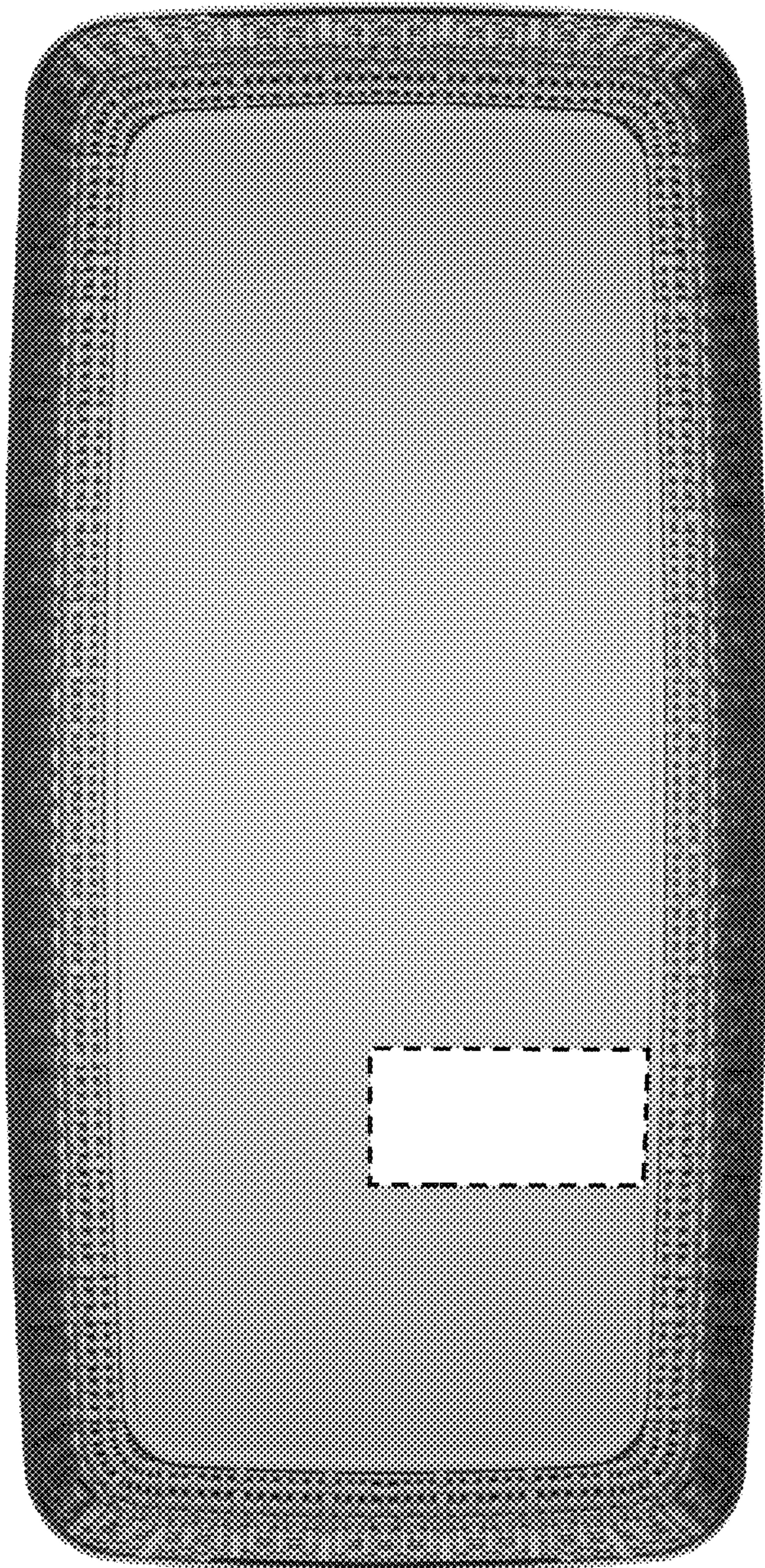


FIG. 16

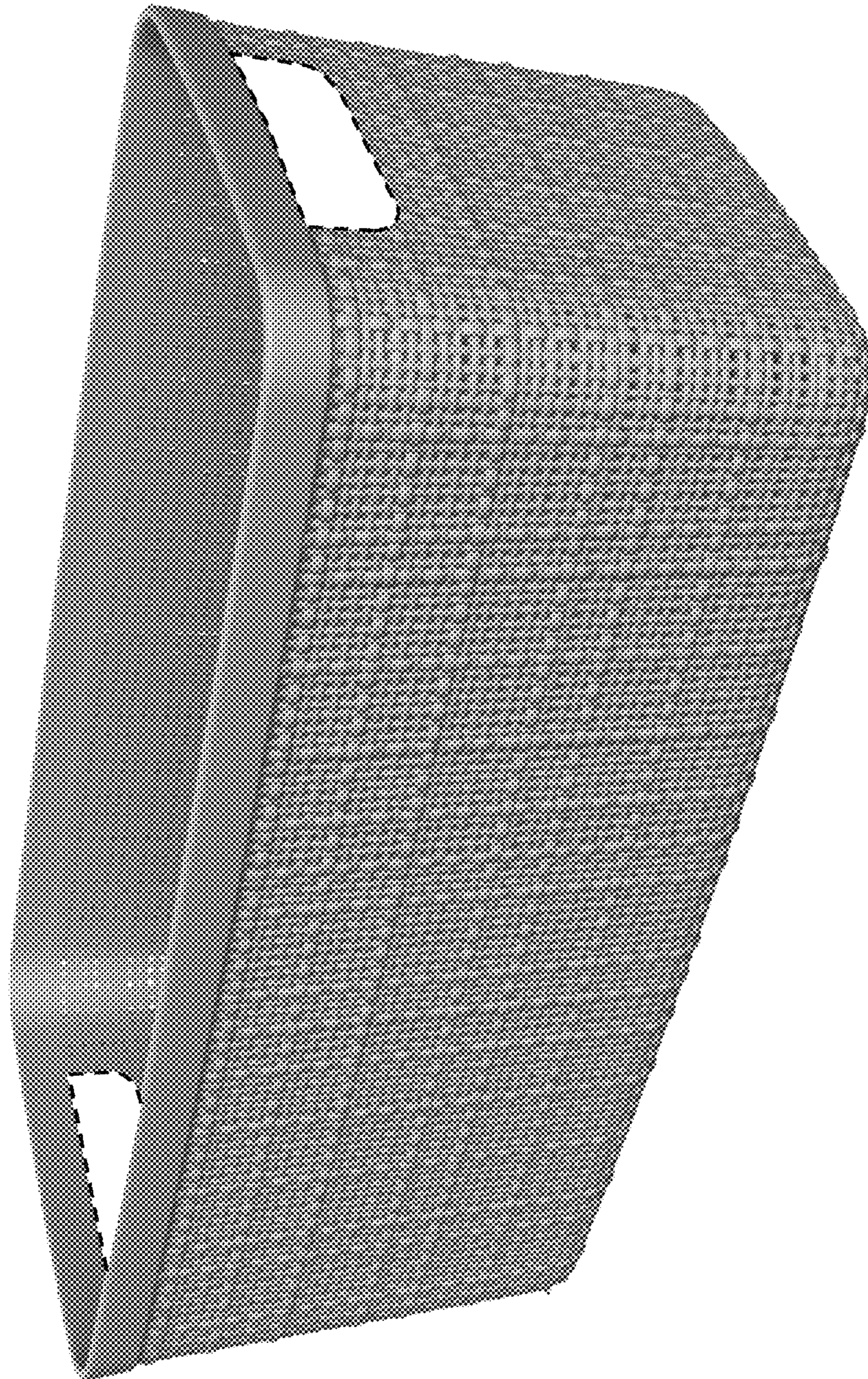


FIG. 17

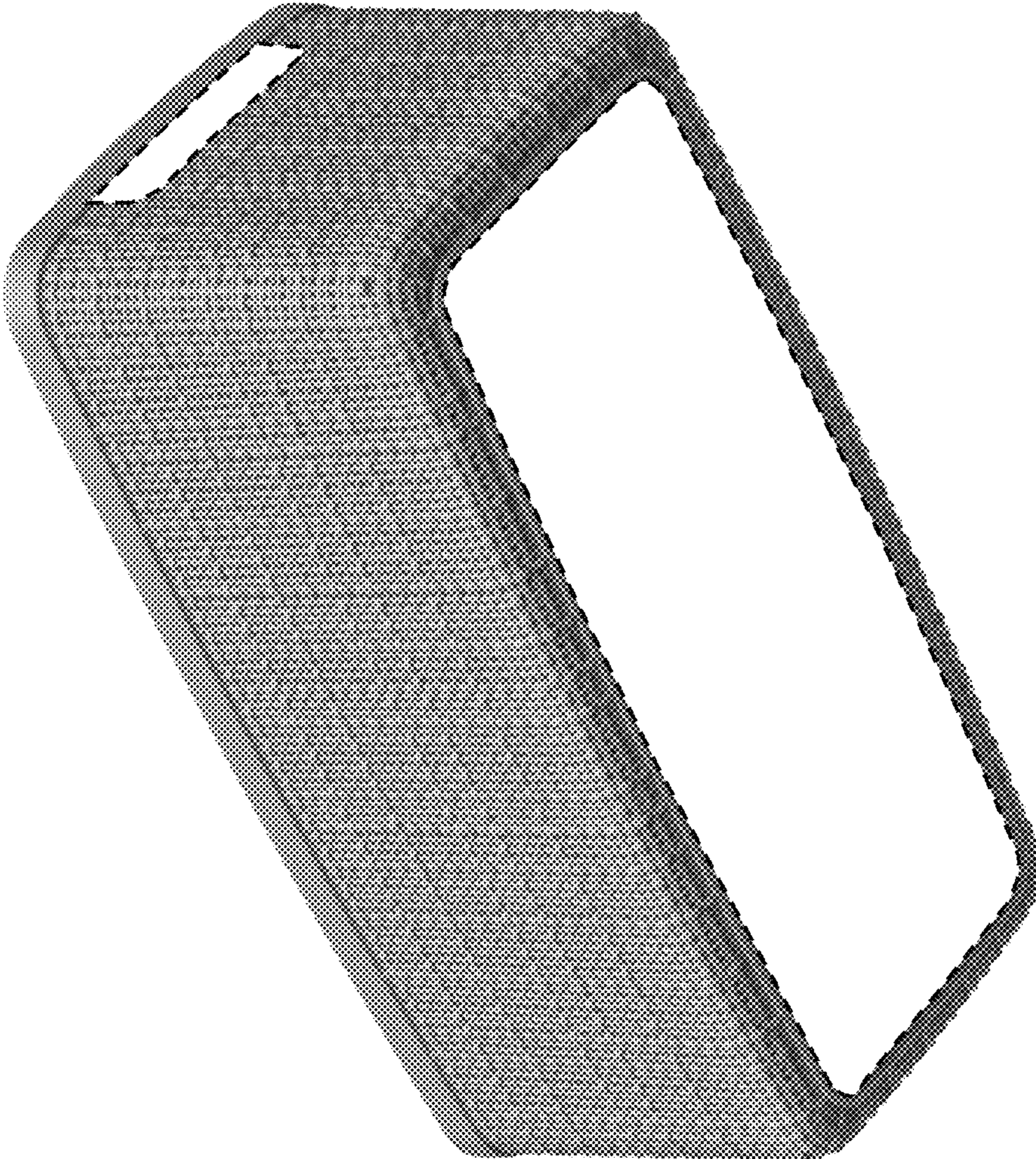


FIG. 18

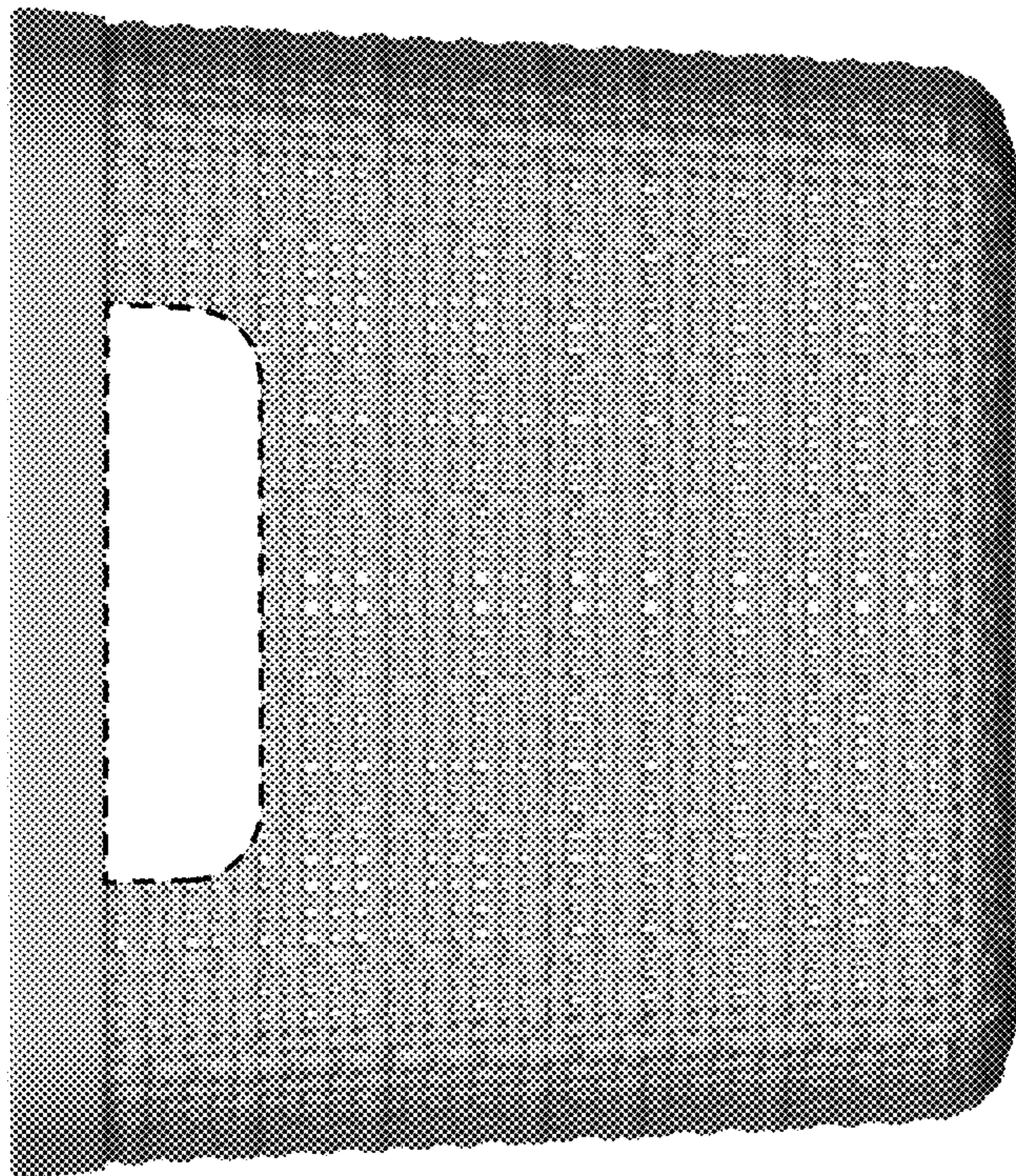


FIG. 19

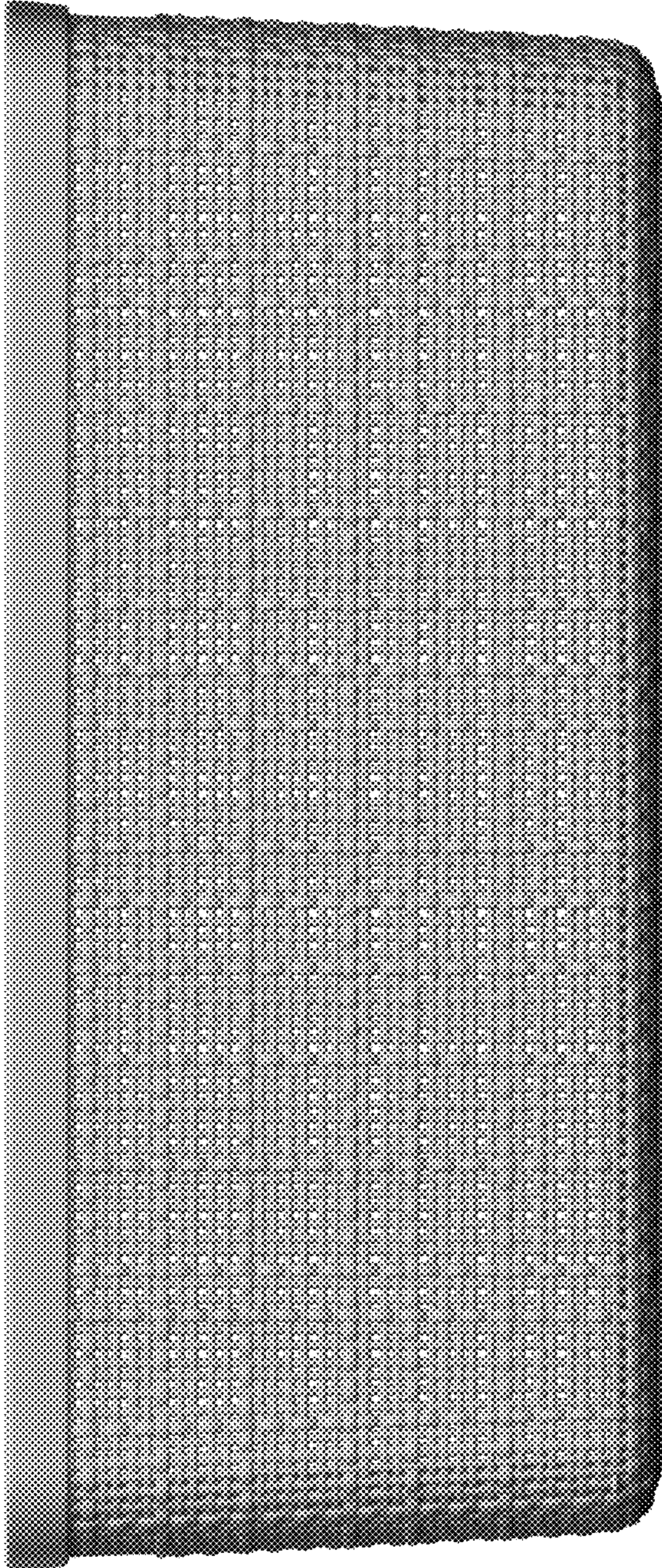


FIG. 20

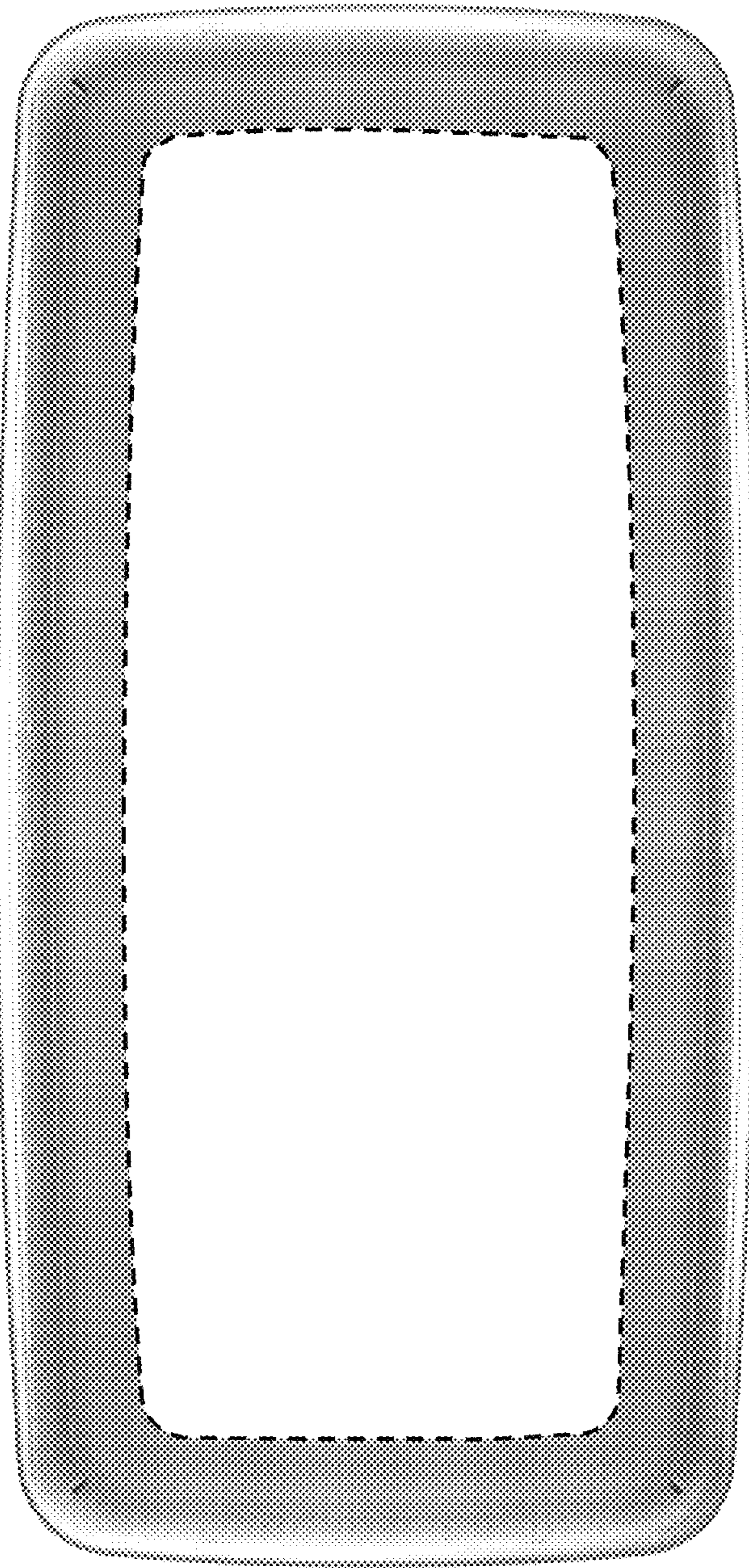


FIG. 21

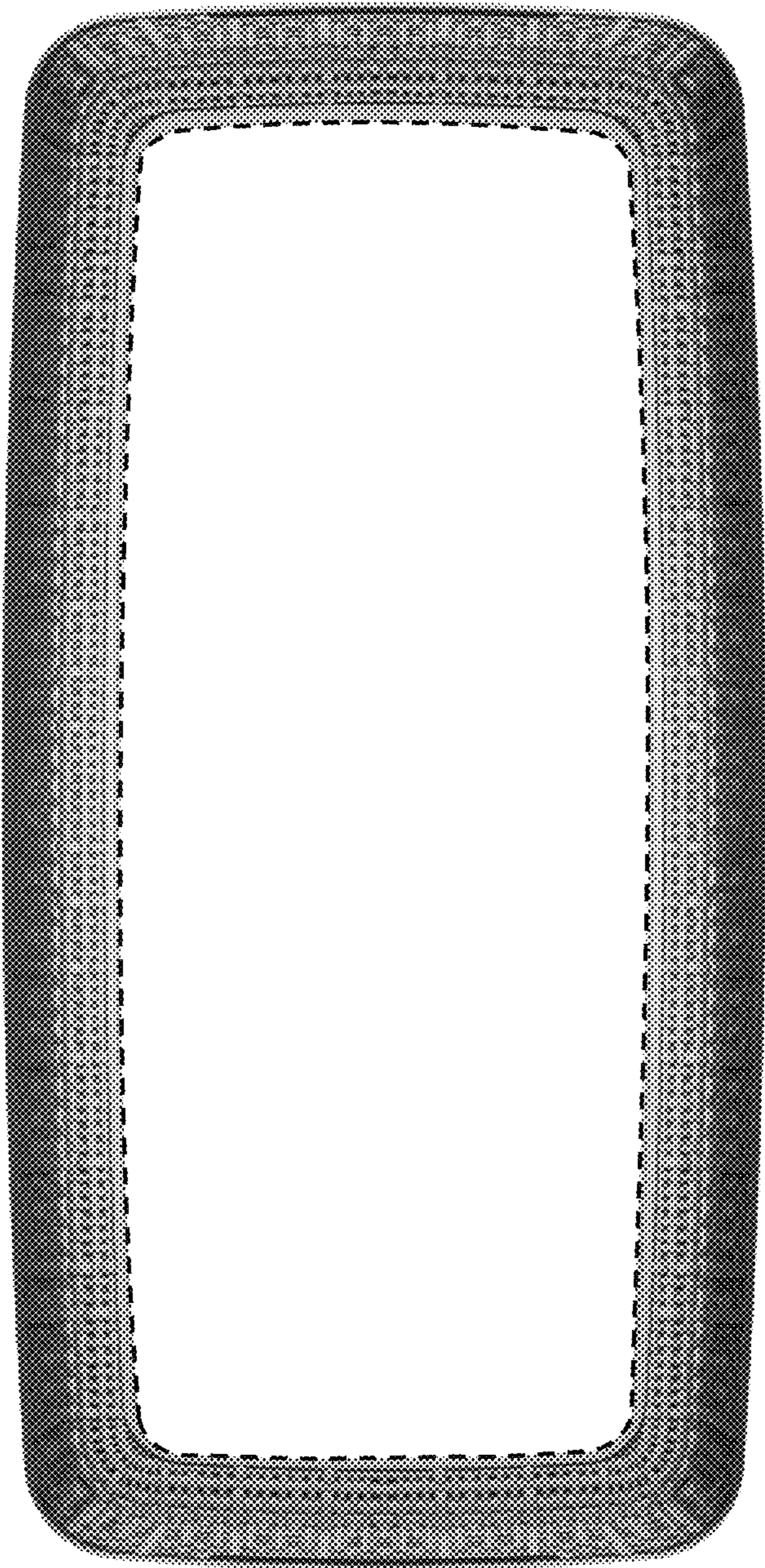


FIG. 22