



US00D923935S

(12) **United States Design Patent** (10) **Patent No.:** **US D923,935 S**
Brunner et al. (45) **Date of Patent:** **** Jul. 6, 2021**

(54) **TOOLBOX**

(71) Applicants: **KETER PLASTIC LTD.**, Herzliya (IL); **MILWAUKEE ELECTRIC TOOL CORPORATION**, Brookfield, WI (US)

5,105,947 A 4/1992 Wise
5,240,264 A 8/1993 Williams
5,301,829 A 4/1994 Chrisco
5,429,260 A 7/1995 Vollers
5,595,228 A 1/1997 Meisner et al.
(Continued)

(72) Inventors: **Yaron Brunner**, Gvat (IL); **Izhar Shany**, Kibutz Gvat (IL); **Uri Parizer**, Kibbutz Hukok (IL); **Ayala Vardi Bougay**, Kefar Veradim (IL)

FOREIGN PATENT DOCUMENTS

CN 2608238 Y 3/2004
CN 200947356 Y 9/2007
(Continued)

(73) Assignees: **Keter Plastic Ltd.**, Herzliya (IL); **Milwaukee Electric Tool Corporation**, Brookfield, WI (US)

OTHER PUBLICATIONS

Home Depot, "PACKOUT 10 in. Compact Tool Box", First review Mar. 10, 2020. (<https://www.homedepot.com/p/Milwaukee-PACKOUT-10-in-Compact-Tool-Box-48-22-8422/312589272>) (Year: 2020).*
(Continued)

(**) Term: **15 Years**

(21) Appl. No.: **29/693,138**

Primary Examiner — April Rivas

(22) Filed: **May 31, 2019**

(74) Attorney, Agent, or Firm — Vorys, Sater, Seymour & Pease LLP; William Klima

(51) **LOC (13) Cl.** **03-01**

(52) **U.S. Cl.**

(57) **CLAIM**

USPC **D3/276; D3/905**

The ornamental design for a toolbox, as shown and described.

(58) **Field of Classification Search**

DESCRIPTION

USPC D3/272, 273, 276, 279, 282, 284, 291, D3/294, 302, 900, 905, 903

CPC B25H 3/02
See application file for complete search history.

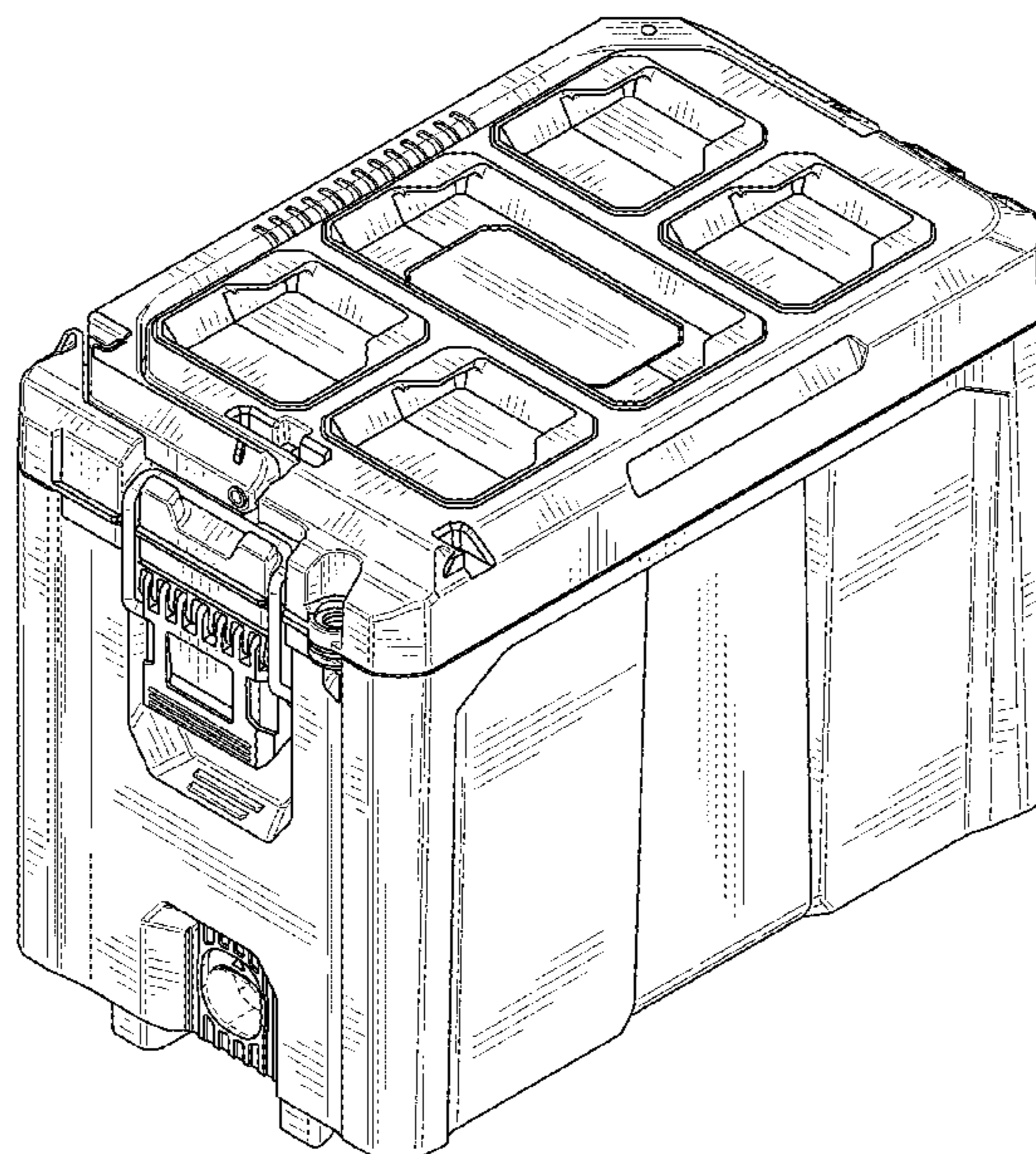
FIG. 1 is a top and front isometric view of a new design for a toolbox;
FIG. 2 is a bottom and rear isometric view thereof;
FIG. 3 is a front elevational view thereof;
FIG. 4 is a rear elevational view thereof;
FIG. 5 is a right side elevational view thereof;
FIG. 6 is a left side elevational view thereof;
FIG. 7 is a top plan view thereof; and,
FIG. 8 is a bottom plan view thereof.
The broken lines shown in the drawings illustrate unclaimed portions and form no part of the claimed design.

(56) **References Cited**

U.S. PATENT DOCUMENTS

2,042,387 A 5/1936 Cobb
2,430,200 A 11/1947 Wilson
2,970,358 A 2/1961 Elsner
3,117,692 A 1/1964 Carpenter et al.
3,506,321 A 4/1970 Hampel
3,974,898 A 8/1976 Tullis et al.
4,168,076 A 9/1979 Johnson
5,035,445 A 7/1991 Poulin

1 Claim, 8 Drawing Sheets



(56)

References Cited

U.S. PATENT DOCUMENTS

5,608,603 A	3/1997	Su	D814,187 S	4/2018	Caglar	
5,628,443 A	5/1997	Deutsch	D816,334 S	5/2018	Brunner	
D395,533 S	6/1998	Morison et al.	D826,510 S	8/2018	Brunner	
5,797,617 A	8/1998	Lin	D828,671 S	9/2018	Cope et al.	
5,951,037 A	9/1999	Hsieh et al.	D833,744 S	11/2018	Yahav et al.	
5,988,473 A	11/1999	Hagan et al.	D837,515 S	1/2019	Shpitzer	
6,050,660 A	4/2000	Gurley	D857,387 S *	8/2019	Shpitzer	D3/281
6,085,925 A	7/2000	Chung	10,434,638 B1	10/2019	Tsai	
6,109,627 A	8/2000	Be	D871,013 S	12/2019	Liu	
6,176,559 B1	1/2001	Tiramani et al.	D888,422 S *	6/2020	Yang	D3/260
D437,669 S	2/2001	Blason et al.	2002/0000440 A1	1/2002	Sagol	
6,347,847 B1	3/2002	Tiramani et al.	2002/0171228 A1	11/2002	Kady	
6,367,631 B1	4/2002	Steigerwald	2003/0115715 A1	6/2003	Valentini	
6,371,320 B2	4/2002	Sagol	2003/0146589 A1	8/2003	Jarko et al.	
D456,972 S	5/2002	Blason et al.	2003/0184034 A1	10/2003	Pfeiffer	
6,431,580 B1	8/2002	Kady	2003/0205877 A1	11/2003	Verna et al.	
6,547,347 B2	4/2003	Saito et al.	2004/0103494 A1	6/2004	Valentini	
6,601,930 B2	8/2003	Tiramani et al.	2004/0195793 A1	10/2004	Sullivan et al.	
6,619,772 B2	9/2003	Dierbeck	2004/0206656 A1	10/2004	Dubois et al.	
6,637,707 B1	10/2003	Gates et al.	2005/0062244 A1	3/2005	Guirlinger	
6,641,013 B2	11/2003	Dise	2005/0104308 A1	5/2005	Barnes	
6,945,546 B2	9/2005	Guirlinger	2005/0139745 A1	6/2005	Liao et al.	
6,948,691 B2	9/2005	Brock et al.	2006/0006770 A1	1/2006	Valentini	
6,983,946 B2	1/2006	Sullivan et al.	2006/0027475 A1	2/2006	Gleason et al.	
7,044,484 B2	5/2006	Wang	2006/0038367 A9	2/2006	Ferraro et al.	
7,066,475 B2	6/2006	Barnes	2006/0119060 A1	6/2006	Sullivan et al.	
D525,789 S	8/2006	Hosking	2006/0186624 A1	8/2006	Kady	
7,147,243 B2	12/2006	Kady	2006/0254946 A1	11/2006	Becklin	
7,263,742 B2	9/2007	Valentini	2007/0068757 A1	3/2007	Tan	
7,367,571 B1	5/2008	Nichols	2007/0090616 A1	4/2007	Tompkins	
7,503,569 B2	3/2009	Duvigneau	2007/0145700 A1	6/2007	Ambrose et al.	
7,658,887 B2	2/2010	Hovatter	2007/0194543 A1	8/2007	Duvigneau	
7,779,764 B2	8/2010	Naidu et al.	2008/0104921 A1	5/2008	Pervan et al.	
7,780,026 B1	8/2010	Zuckerman	2008/0115312 A1	5/2008	Dipasquale et al.	
7,841,144 B2	11/2010	Pervan	2008/0121547 A1	5/2008	Dur	
D630,851 S	1/2011	Landau et al.	2008/0134607 A1	6/2008	Pervan et al.	
8,028,845 B2	10/2011	Himes	2008/0169739 A1	7/2008	Goldenberg	
D649,350 S *	11/2011	Shitrit	2008/0271280 A1	11/2008	Tiede et al.	
D653,832 S	2/2012	Vilkomirski et al.	2008/0277221 A1	11/2008	Josefson et al.	
8,132,819 B2	3/2012	Landau et al.	2008/0308369 A1	12/2008	Louis	
8,177,463 B2	5/2012	Walker	2009/0026901 A1	1/2009	Nies, III et al.	
D661,858 S	6/2012	Lifshitz et al.	2009/0071990 A1	3/2009	Jardine et al.	
8,191,910 B2	6/2012	Landau et al.	2009/0145790 A1	6/2009	Panosian et al.	
D663,952 S	7/2012	Crevling, Jr. et al.	2009/0145866 A1	6/2009	Panosian et al.	
D664,354 S	7/2012	Crevling, Jr. et al.	2009/0145913 A1	6/2009	Panosian et al.	
D674,605 S	1/2013	Vilkomirski et al.	2009/0178946 A1	7/2009	Patstone et al.	
8,454,033 B2	6/2013	Tsai	2010/0052276 A1	3/2010	Brunner	
8,459,495 B2	6/2013	Koenig et al.	2010/0139566 A1	6/2010	Lopuszanski	
8,505,729 B2	8/2013	Sosnovsky et al.	2010/0147642 A1	6/2010	Andochick	
8,567,796 B2	10/2013	Bar-Erez et al.	2010/0219193 A1	9/2010	Becklin	
8,677,661 B2	3/2014	Michels et al.	2011/0073516 A1	3/2011	Zelinskiy	
D701,696 S	4/2014	Shitrit et al.	2011/0139665 A1	6/2011	Madsen	
8,689,396 B2	4/2014	Wolfe et al.	2011/0155613 A1	6/2011	Koenig et al.	
8,714,355 B2	5/2014	Huang	2011/0181008 A1	7/2011	Bensman et al.	
8,813,960 B2	8/2014	Fjelland	2011/0220531 A1	9/2011	Meether et al.	
8,875,888 B2	11/2014	Koenig et al.	2012/0160886 A1	6/2012	Henny et al.	
8,979,100 B2	3/2015	Bensman et al.	2012/0180250 A1	7/2012	Ricklefsen et al.	
8,985,922 B2	3/2015	Neumann	2012/0207571 A1	8/2012	Scott	
D738,105 S *	9/2015	Shitrit	2012/0326406 A1	12/2012	Lifshitz et al.	
D738,106 S	9/2015	Shitrit	2013/0024468 A1	1/2013	Kocsis	
9,132,543 B2	9/2015	Bar-Erez et al.	2013/0031731 A1	2/2013	Hess	
D753,394 S	4/2016	Brunner	2013/0031732 A1	2/2013	Hess et al.	
D753,395 S	4/2016	Brunner	2013/0121783 A1	5/2013	Kelly	
D753,396 S *	4/2016	Brunner	2013/0127129 A1	5/2013	Bensman et al.	
D765,974 S	9/2016	Tonelli et al.	2013/0154218 A1	6/2013	Tiilikainen	
D770,179 S	11/2016	Menirom	2013/0223971 A1	8/2013	Grace, IV	
9,506,489 B2	11/2016	Ko	2014/0076759 A1	3/2014	Roehm et al.	
9,511,491 B2	12/2016	Brunner	2014/0161518 A1	6/2014	Ko	
D777,426 S *	1/2017	Dahl	2014/0166516 A1	6/2014	Martinez et al.	
9,566,990 B2	2/2017	Bar-Erez et al.	2015/0034515 A1 *	2/2015	Monyak	B25H 3/02 206/349
9,616,562 B2	4/2017	Hoppe et al.	2015/0274362 A1	10/2015	Christopher et al.	
9,643,629 B2	5/2017	Bar-Erez et al.	2015/0376917 A1	12/2015	Brunner	
D790,221 S	6/2017	Yahav et al.	2016/0023349 A1	1/2016	Hoppe et al.	
9,701,443 B2	7/2017	Wang	2016/0130034 A1	5/2016	Kuhls et al.	
9,872,562 B2	1/2018	Brunner	2016/0144500 A1	5/2016	Chen	
			2016/0168880 A1	6/2016	Phelan	
			2017/0121056 A1	5/2017	Wang	
			2017/0138382 A1	5/2017	Ko	

(56)

References Cited

U.S. PATENT DOCUMENTS

2017/0165828 A1 6/2017 Fleischmann
 2017/0166352 A1 6/2017 Hoppe et al.
 2017/0174392 A1 6/2017 De Loynes
 2017/0217464 A1 8/2017 Bar-Erez et al.
 2017/0239808 A1 8/2017 Hoppe et al.
 2017/0257958 A1 9/2017 Sabbag et al.
 2017/0266804 A1 9/2017 Kinskey
 2017/0318927 A1 11/2017 Kraus et al.
 2017/0349013 A1 12/2017 Gronholm
 2018/0044059 A1 2/2018 Brunner
 2018/0161975 A1 6/2018 Brunner
 2018/0220758 A1 8/2018 Burchia
 2018/0290288 A1 10/2018 Brunner
 2019/0002004 A1 1/2019 Brunner
 2019/0031222 A1 1/2019 Takyar et al.
 2019/0039781 A1 2/2019 Kogel et al.
 2019/0106244 A1 4/2019 Brunner
 2019/0225371 A1 7/2019 Hoppe et al.
 2020/0055534 A1 2/2020 Hassell

FOREIGN PATENT DOCUMENTS

CN 101068661 A 11/2007
 CN 102248523 A 11/2011
 CN 102469899 A 5/2012
 CN 102834035 A 12/2012
 CN 302371147 S 3/2013
 CN 103118578 A 5/2013
 CN 103659777 A 3/2014
 CN 204161752 U 2/2015
 DE 3510307 A1 9/1986
 DE 9313802 U1 1/1994
 DE 4415638 A1 11/1995
 DE 29708343 U1 8/1997
 DE 19750543 A1 5/1999
 DE 20218996 U1 3/2003
 DE 102004057870 A1 6/2006
 DE 202011002617 U1 6/2011
 DE 102010003754 A1 10/2011
 DE 102010003756 A1 10/2011
 DE 102012106482 A1 1/2014
 DE 102012220837 A1 5/2014
 DE 202014103695 U1 10/2014
 DE 2020150057252 U1 12/2016
 DE 102015112204 A1 2/2017
 DE 102015013053 A1 4/2017
 DE 202015105053 A1 4/2017
 DE 402018201520 5/2018
 EM 000705231-0001 4/2007
 EM 2419283-001 3/2014
 EP 0916302 A2 5/1999
 EP 1321247 A2 6/2003
 EP 1428764 B1 6/2006
 EP 1819487 6/2006
 EP 2456341 1/2011
 EP 2289671 A2 3/2011
 EP 2346741 A1 7/2011
 EP 2555660 10/2011
 EP 2555661 10/2011
 EP 2805799 A2 11/2014
 EP 3141354 B1 5/2019
 GB 694707 A 7/1953
 GB 2047181 B 2/1983
 GB 2330521 A 4/1999
 GB 2406331 A 3/2005
 GB 2413265 B 6/2007
 JP 2003194020 A 7/2003

JP D1276744 S 7/2006
 JP D1395115 S 8/2010
 JP 2013022972 A 2/2013
 JP 2013022976 A 2/2013
 JP D1477050 S 8/2013
 KR 30-0271616 S 2/2001
 KR 30-0320243 S 3/2003
 KR 30-0842236 S 3/2016
 KR 30-0859965 S 6/2016
 KR 30-0881296 S 11/2016
 KR 30-0999599 S 3/2019
 TW I324578 B 5/2010
 TW D135074 S 6/2010
 TW D168686 S 7/2015
 TW D174412 S 3/2016
 WO 2005/045886 A2 5/2005
 WO 2007/121745 A1 11/2007
 WO 2007/121746 A2 11/2007
 WO 2009/140965 A1 11/2009
 WO 2011/009480 A1 1/2011
 WO 2013/026084 A1 2/2013
 WO 2014/125488 A2 8/2014
 WO 2016/142935 A1 9/2016
 WO 2017/028845 A1 2/2017
 WO 2017/191628 A1 11/2017
 WO 2017/212840 A1 12/2017

OTHER PUBLICATIONS

Home Depot, "PACKOUT 16 Qt. Compact Cooler", First review Jul. 7, 2020. (<https://www.homedepot.com/p/Milwaukee-PACKOUT-16-Qt-Compact-Cooler-48-22-8460/312912520>) (Year: 2020).*

Batavia. BluCave Universal Storage System, <https://batavia.eu/blucave-storage-system/>.

The Greenhead. Blitz Box—Portable Storage Box/Shelf, <https://www.thegreenhead.com/2013/03/blitz-box-portable-storage-box-shelf.php>.

Dewalt 171229 Dewalt TSTAK Carrier Trolley, <https://www.its.co.uk/pd/171229-Dewalt-TSTAK-Carrier-Trolley-DEW171229.htm>.

Get Tools Direct. TSTAK Vac Rack (Suits DWV902M & DWV900L) DwV9500-XJ, <https://www.gettoolsdirect.com.au/dewalt-tstak-vac-rack-suits-dwv902m-and-dwv9001-dwv9500-xj.html>.

Amazon. Hopkins FloTool 91002 Thino Box with Mount, <https://www.amazon.com/exedobidos/ASIN/B003K15F31/20140000-20>.

Milwaukee Dolly, announced 2019 [only], [site visted Mar. 9, 2020]. Available from internet, URL: <https://www.zoro.com/milwaukee-tool-box-dolly-7-4164-h-18-2932-w-48-22-8410/i/G3958724/> (Year: 2019).

ToolGuyd. Ryobi ToolBlox Tool Cabinet System, <https://toolguyd.com/ryobi-toolblox-cabinets/>.

Sortimo Logistixx, Sortimo International GmbH, Mobile Sortimente, http://p125638.mittwaldserver.infofileadmin/media/PDFs/Logistixx_Broschuere_DE_WEB.pdf.

Systainer Mounting Platform—wall and base support; ToolGuyd. Sys-Cart Base, a Systainer Mounting Platform, <https://toolguyd.com/systainer-sys-cart-mounting-base/>.

Taiwanese Search Report for ROC (Taiwan) Design Patent Application No. 108305093, one page, completed Mar. 5, 2020.

Vertak. https://www.alibaba.com/product-detail/Vertak-global-patented-multi-funciton-portable_60217794260.html.

Wheel board, announced 2019 [online], [site visited [site visted Mar. 9, 2020]. Available from internet, URL: <https://www.gearooz.com/accu-case-aca-wheel-board> (Year: 2019).

Youtube. TSTAK Phase 2 Upgrades Video. <https://www.youtube.com/watch?v=jb06y6J1dr4&feature=youtu.be&t=197>.

* cited by examiner

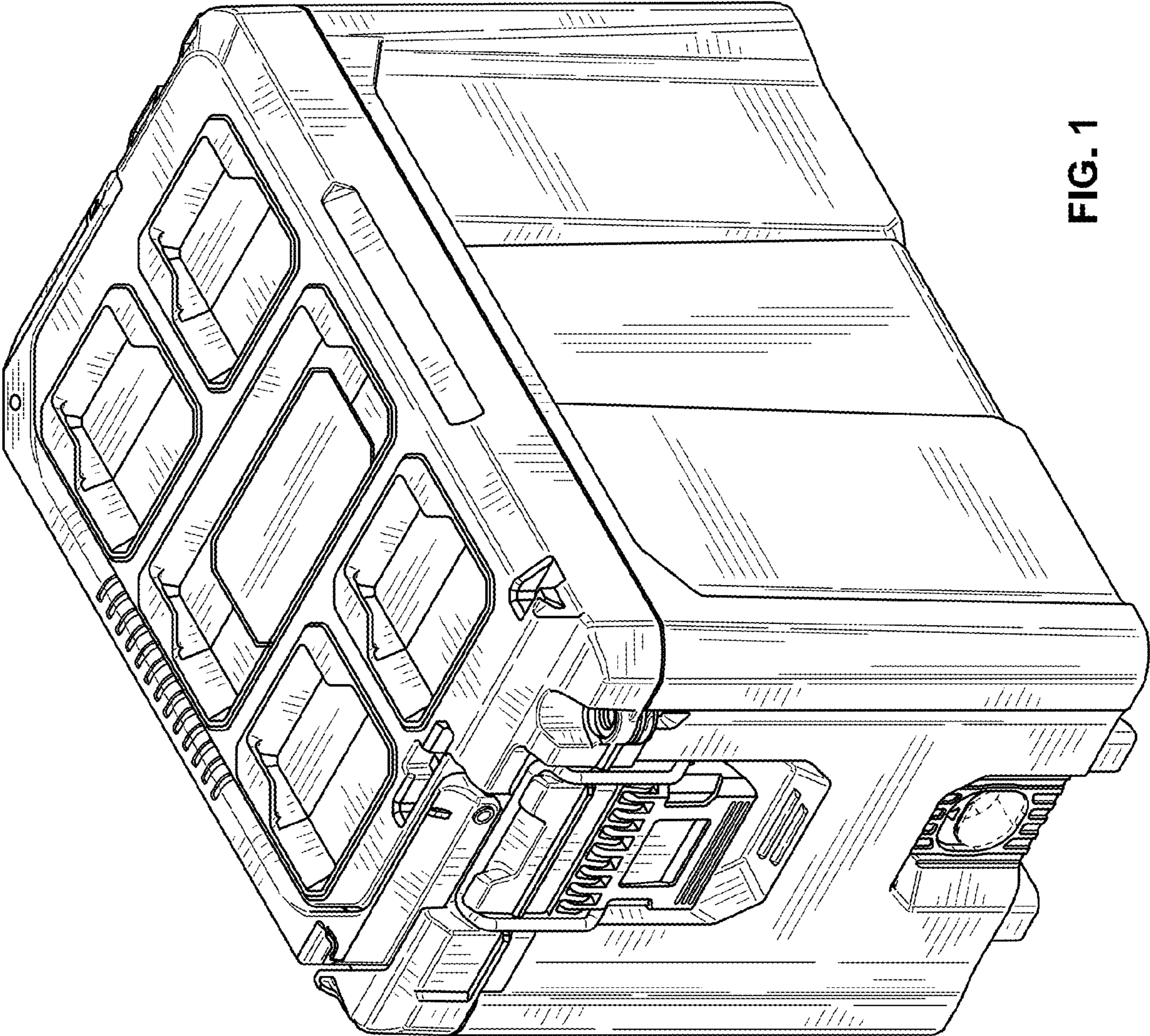


FIG. 1

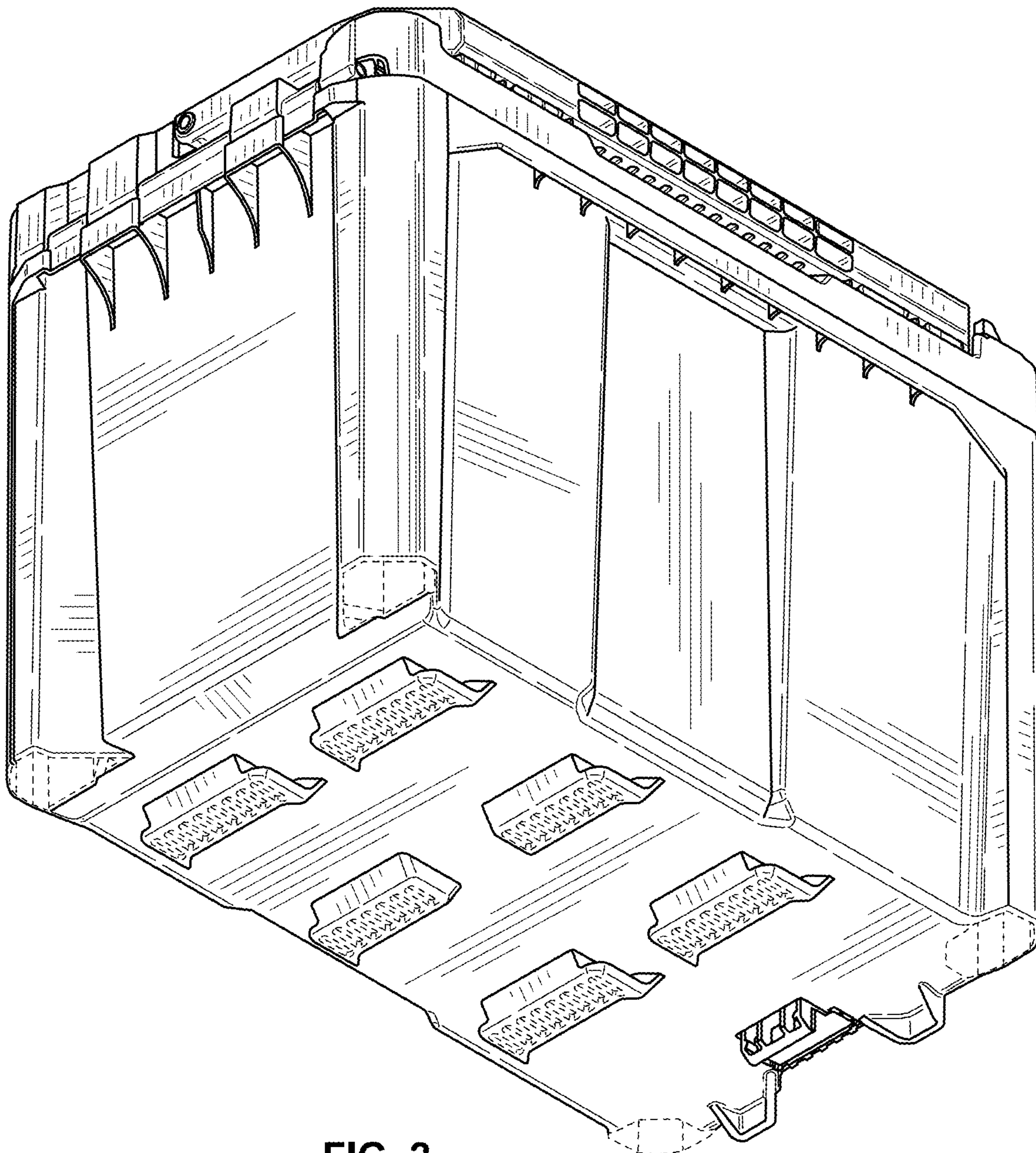


FIG. 2

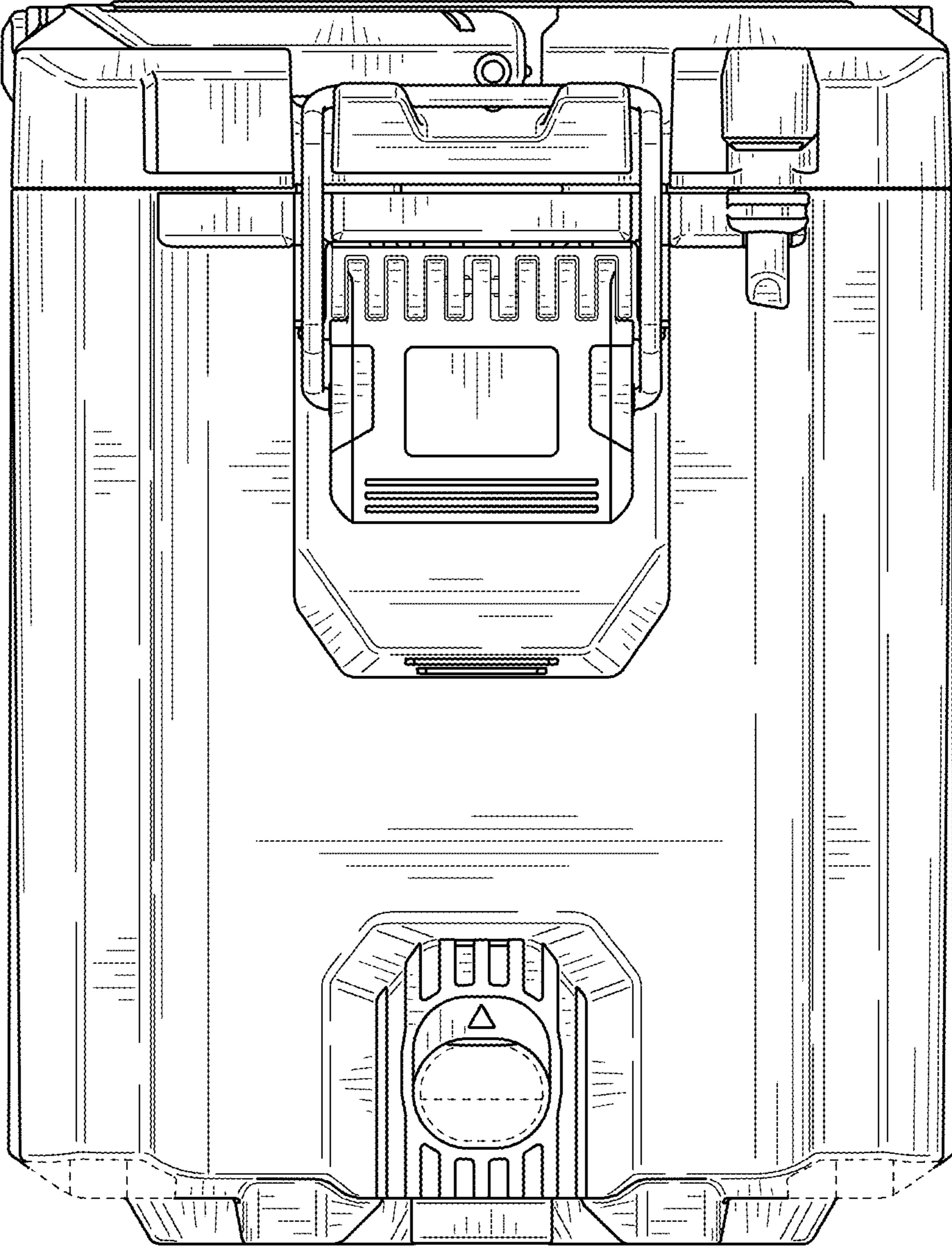


FIG. 3

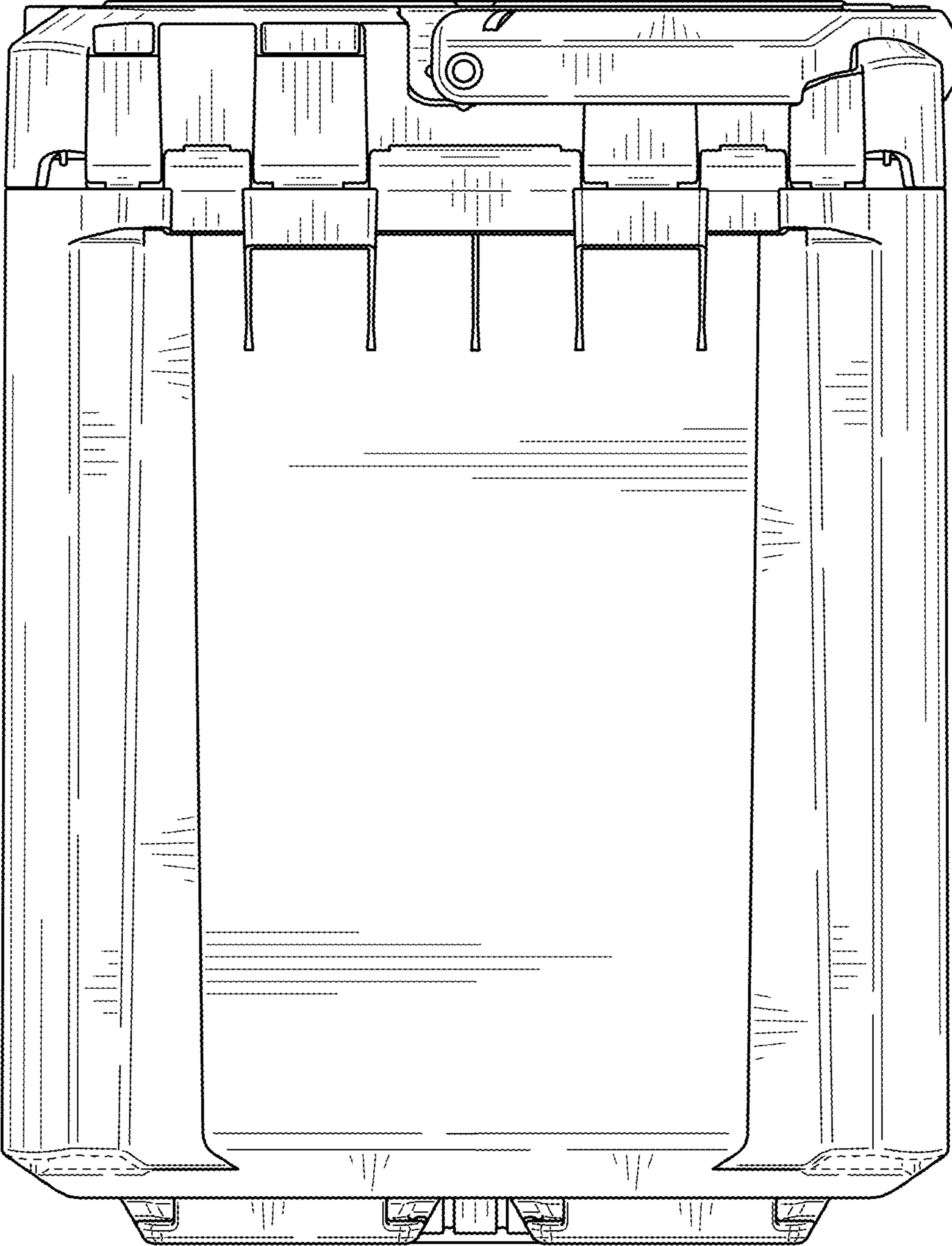


FIG. 4

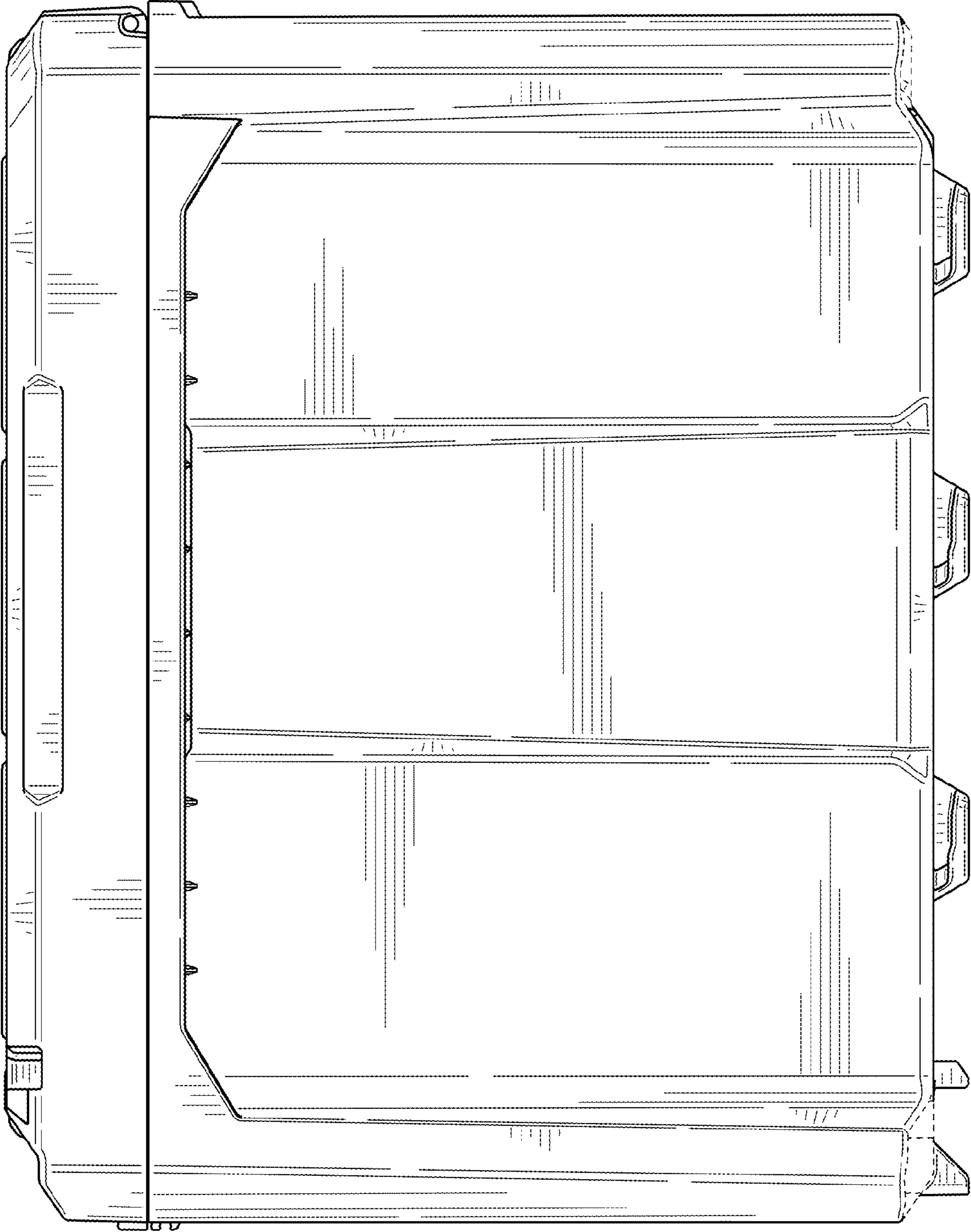


FIG. 5

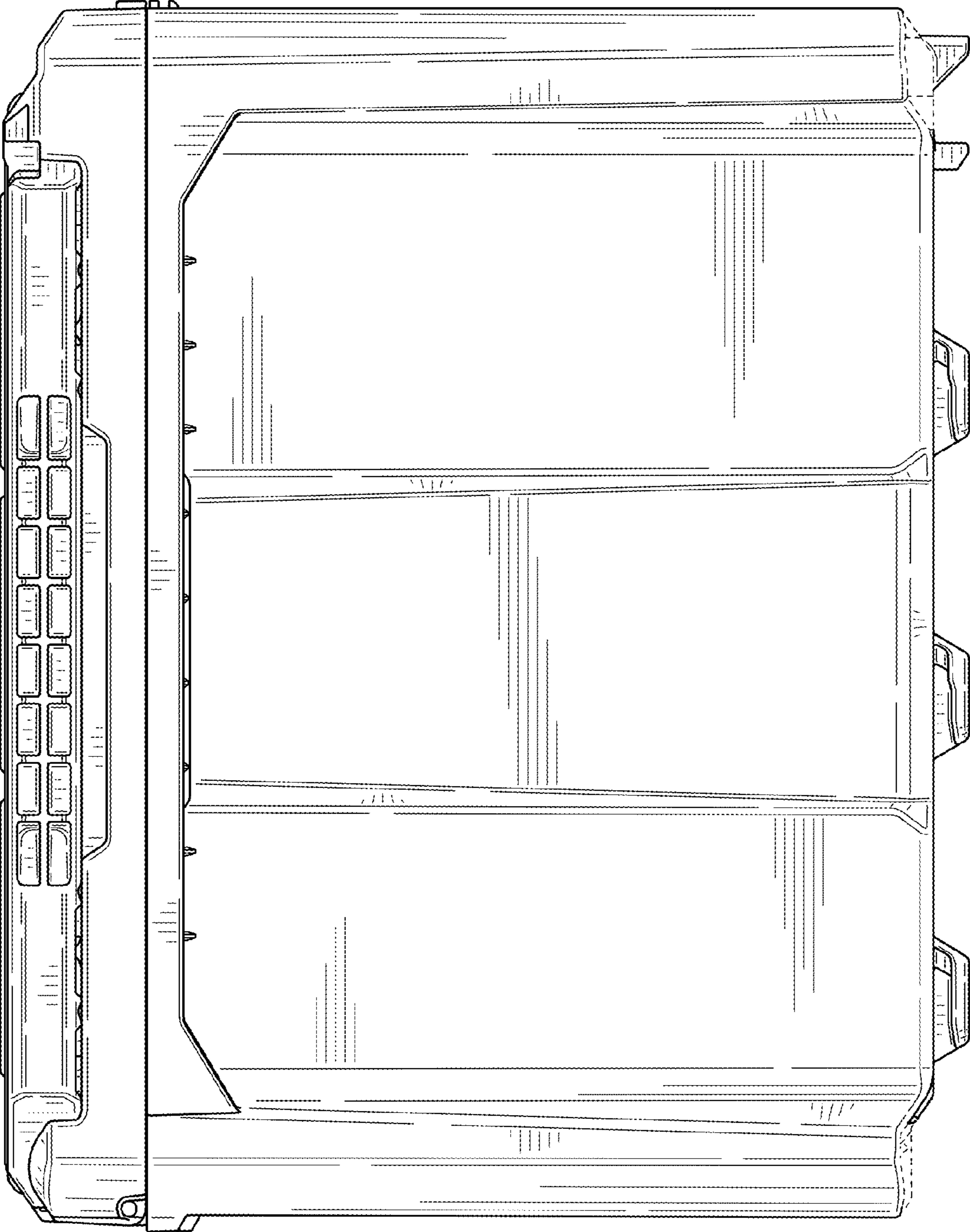


FIG. 6

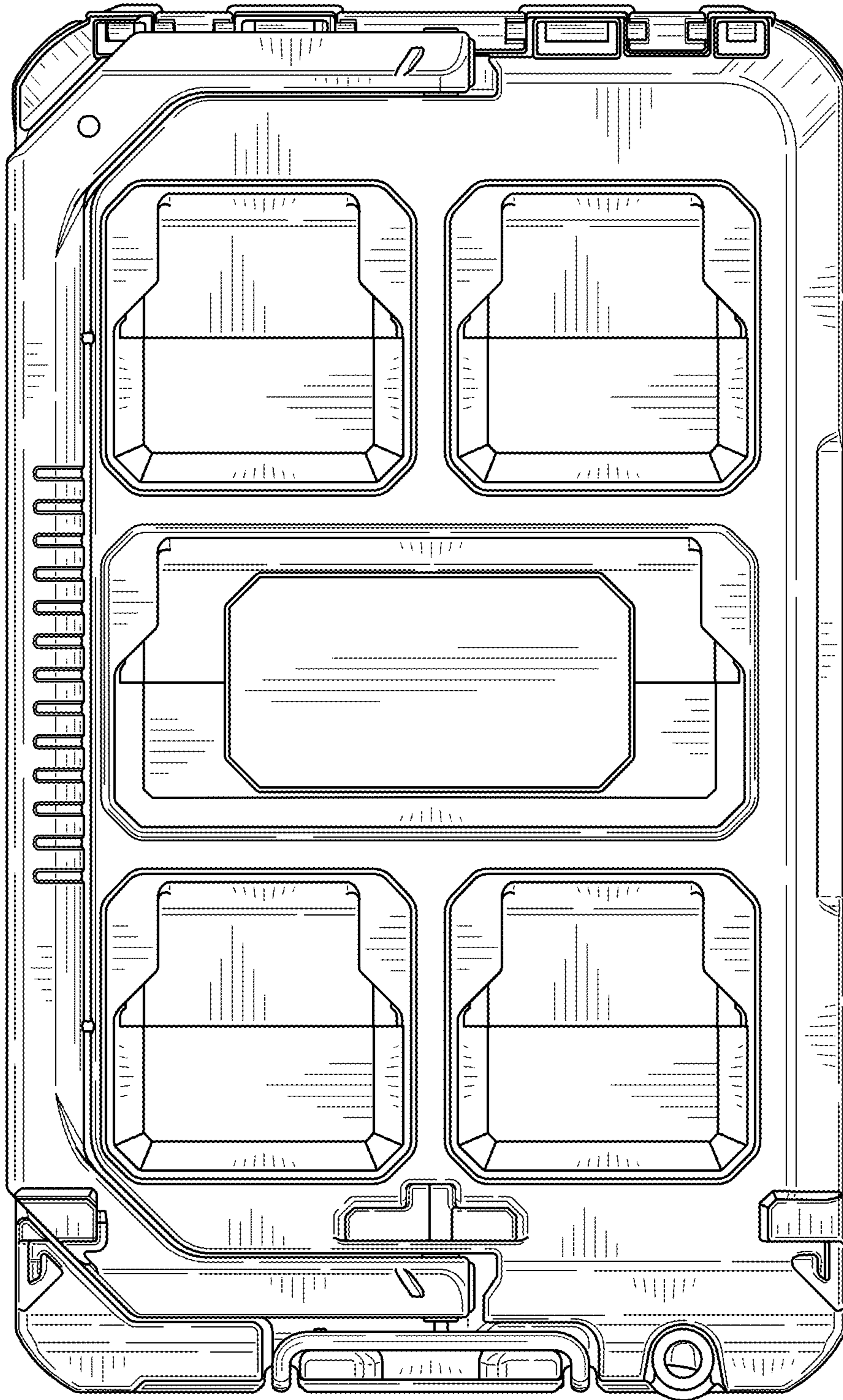


FIG. 7

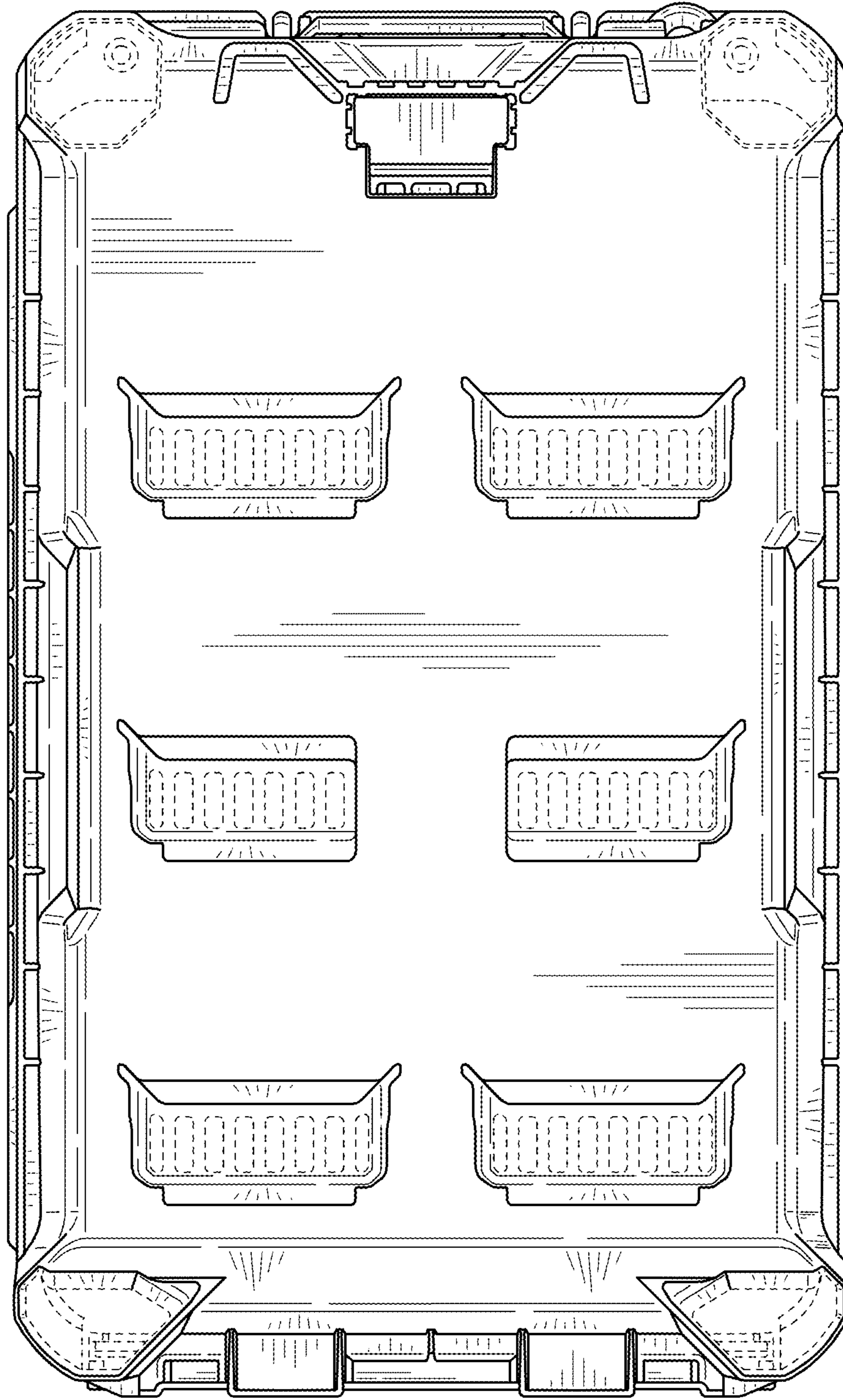


FIG. 8