



US00D923933S

(12) **United States Design Patent** (10) **Patent No.:** **US D923,933 S**
Chen et al. (45) **Date of Patent:** **** Jul. 6, 2021**

(54) **ELECTRONIC BAGGAGE TAG**
(71) Applicant: **NETRONIX, INC.**, Zhubei (TW)
(72) Inventors: **Pei-Chun Chen**, Hsinchu County (TW); **Yi Li**, Hsinchu (TW)
(73) Assignee: **Netronix, Inc.**, Zhubei (TW)
(**) Term: **15 Years**

D693,114 S * 11/2013 Lemanski, Sr. D3/203.8
D725,385 S * 3/2015 Ming D3/247
D756,641 S * 5/2016 DeChant D3/247
D808,158 S * 1/2018 King D3/247
D821,096 S * 6/2018 Dentamaro D3/249
D863,440 S * 10/2019 Kwon D20/22
D884,339 S * 5/2020 Li D3/247
D885,758 S * 6/2020 Adelman D3/247
D896,511 S * 9/2020 Case D3/247
D908,351 S * 1/2021 Hoffman D3/247
2019/0318667 A1 * 10/2019 Freeman G09F 3/14

(21) Appl. No.: **29/732,214**
(22) Filed: **Apr. 22, 2020**
(51) **LOC (13) Cl.** **03-01**
(52) **U.S. Cl.**
USPC **D3/249; D20/22**
(58) **Field of Classification Search**
USPC D9/550, 563, 702, 713; D10/46, 52,
D10/104.1, 104.2, 109.1, 109.2;
D19/1-12; D20/10, 11, 18, 19, 22-29,
D20/42, 43, 49; D13/154; D3/201, 215,
D3/247, 249
CPC G09F 1/00; G09F 1/02; G09F 3/00; G09F
3/02; G09F 3/10; G09F 3/14; G09F
3/0288; G09F 2003/0021; G09F
2003/0208; G09F 2003/023; G09F
2003/0225; G09F 2003/0257; G09F
2003/0264; G09F 2003/0266; G09F
2003/0267; G09F 2003/0269; G09F
2003/0272; G09F 2003/0273; G09F
2003/0279; B42D 15/00
See application file for complete search history.

(56) **References Cited**
U.S. PATENT DOCUMENTS
D470,190 S * 2/2003 Nagel D20/43
D609,900 S * 2/2010 Behar D3/201

OTHER PUBLICATIONS

Viewtag, posted at The-digital-reader.com, posted on Jan. 25, 2019, site visited Feb. 23, 2021. online, available from internet: <https://the-digital-reader.com/2019/01/25/viewtags-e-ink-equipped-luggage-tag-clears-the-fcc/> (Year: 2019).*

* cited by examiner

Primary Examiner — Mary Ann Calabrese
Assistant Examiner — Catherine Ho
(74) *Attorney, Agent, or Firm* — Rosenberg, Klein & Lee

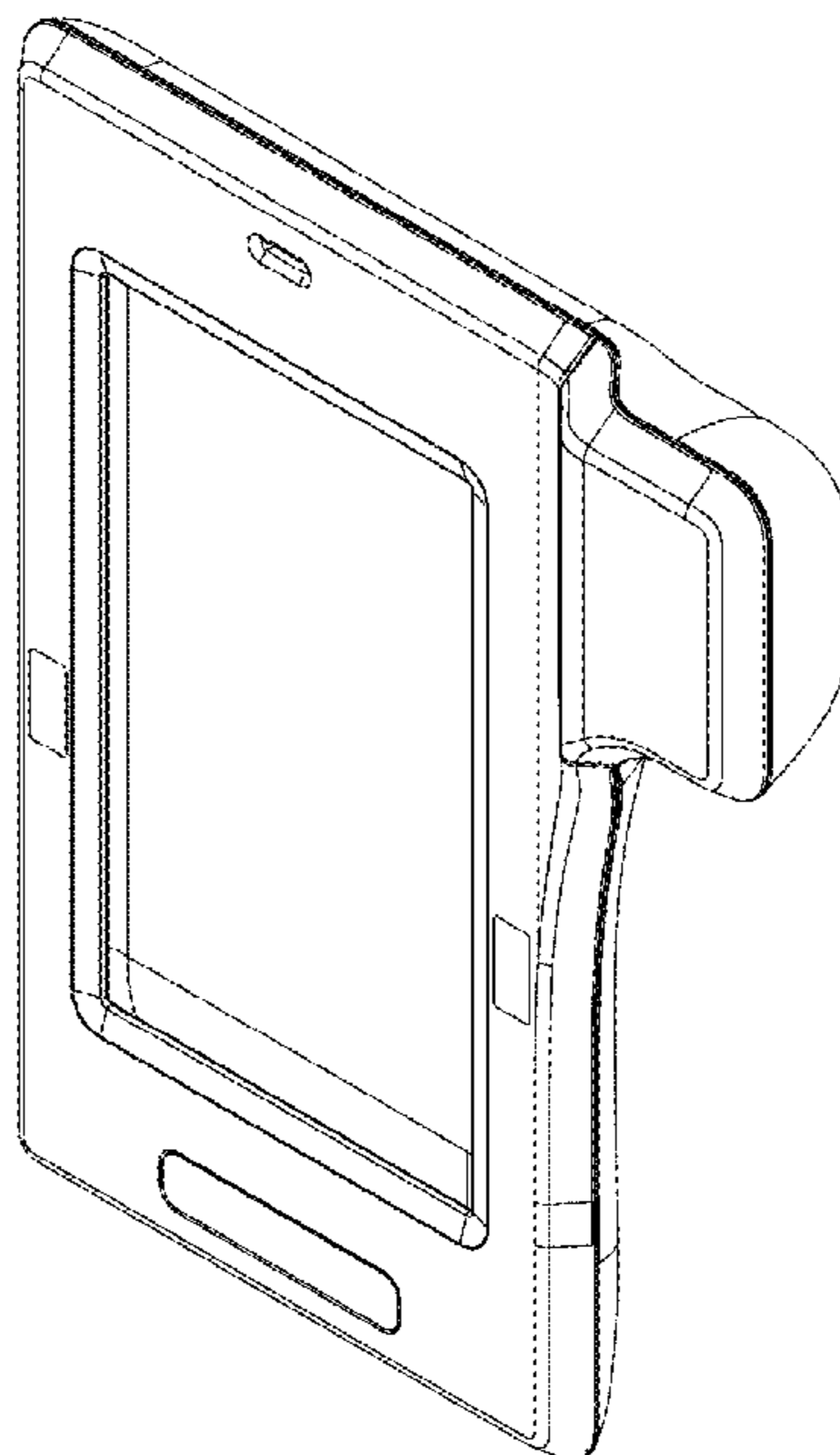
(57) **CLAIM**

The ornamental design for an electronic baggage tag, as shown and described.

DESCRIPTION

FIG. 1 is a top perspective view of the electronic baggage tag, showing our new design;
FIG. 2 is a front elevational view thereof;
FIG. 3 is a rear elevational view thereof;
FIG. 4 is a left side elevational view thereof;
FIG. 5 is a right side elevational view thereof;
FIG. 6 is a top plan view thereof; and,
FIG. 7 is a bottom plan view thereof.

1 Claim, 7 Drawing Sheets



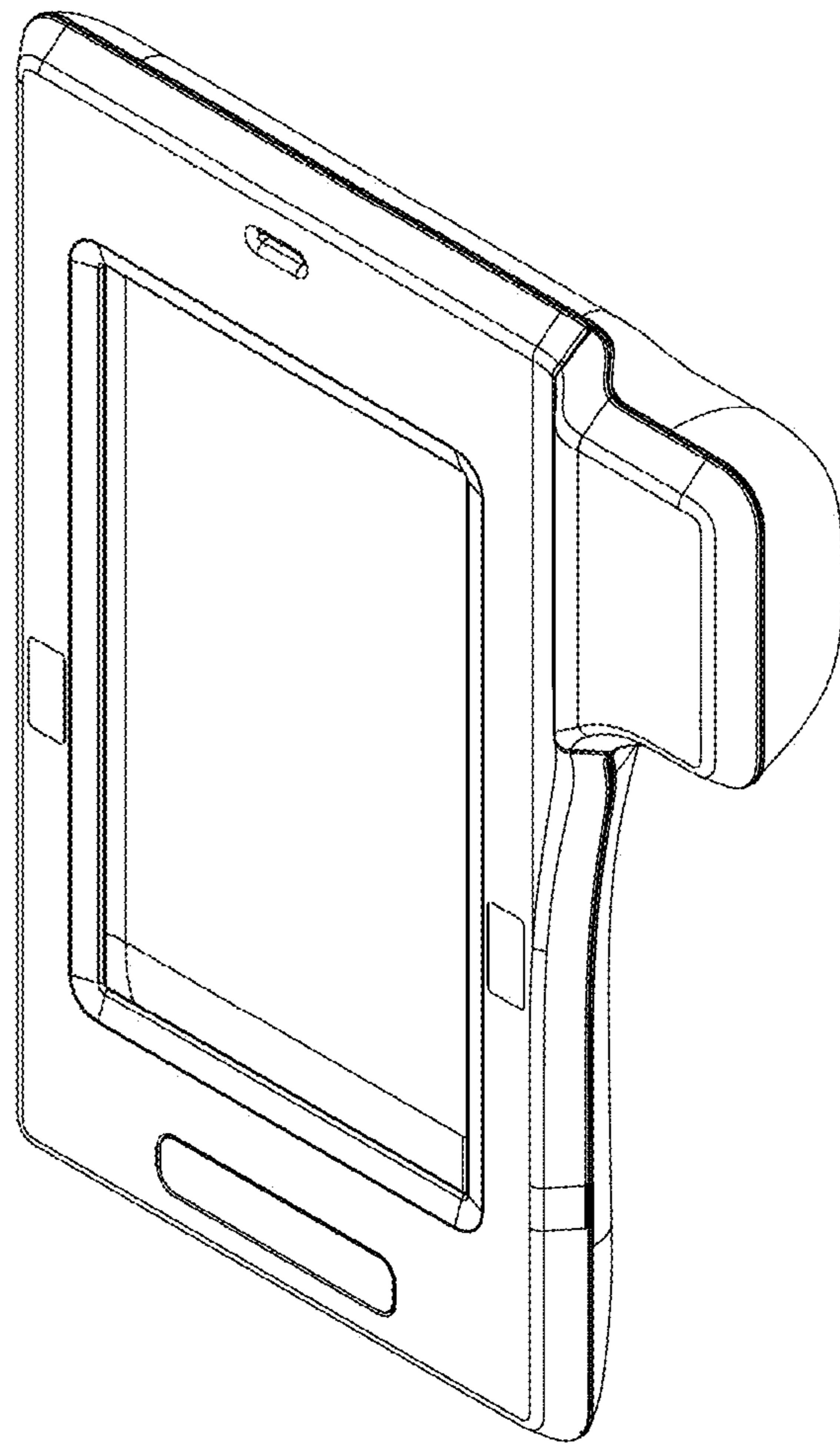


Fig. 1

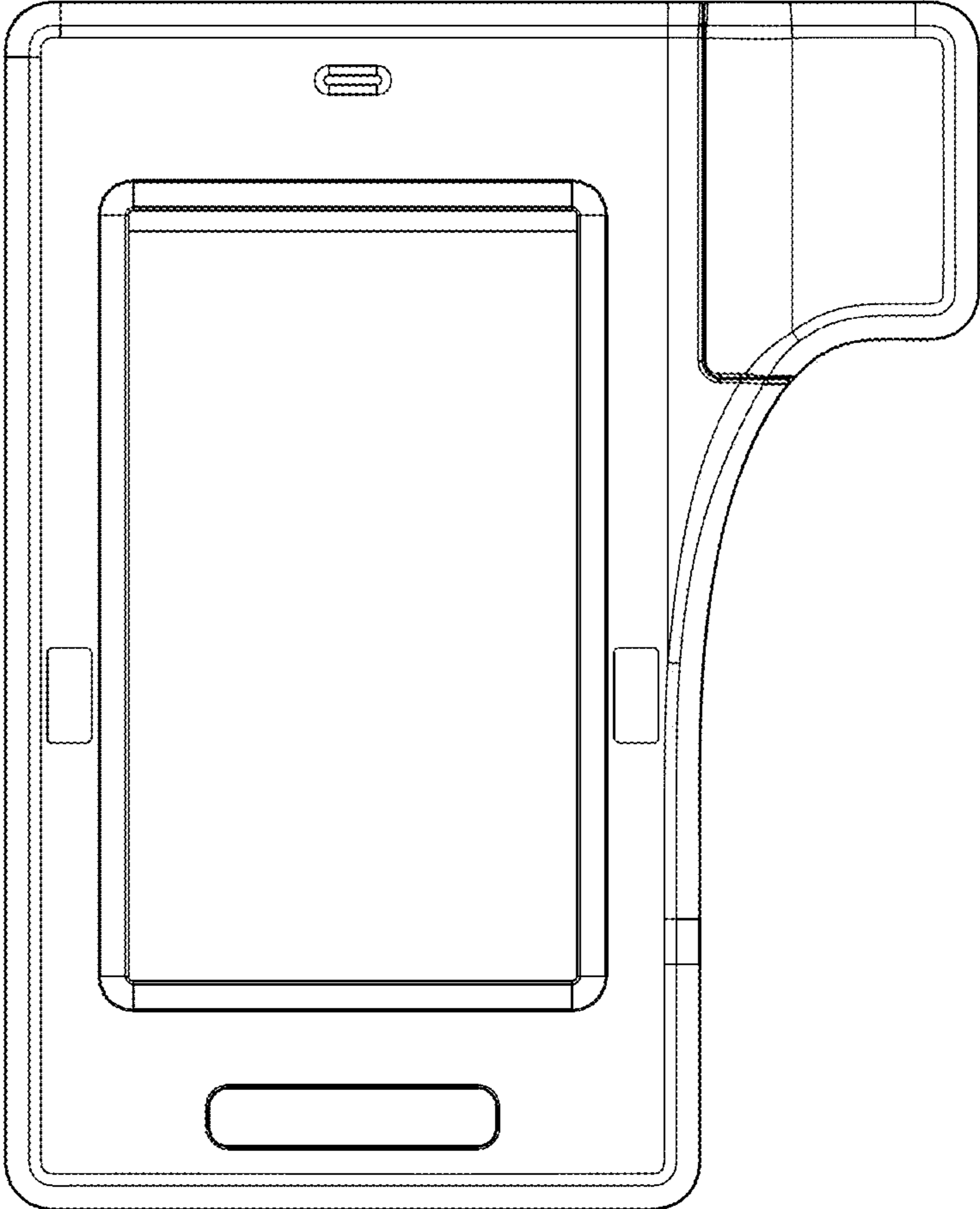


Fig. 2

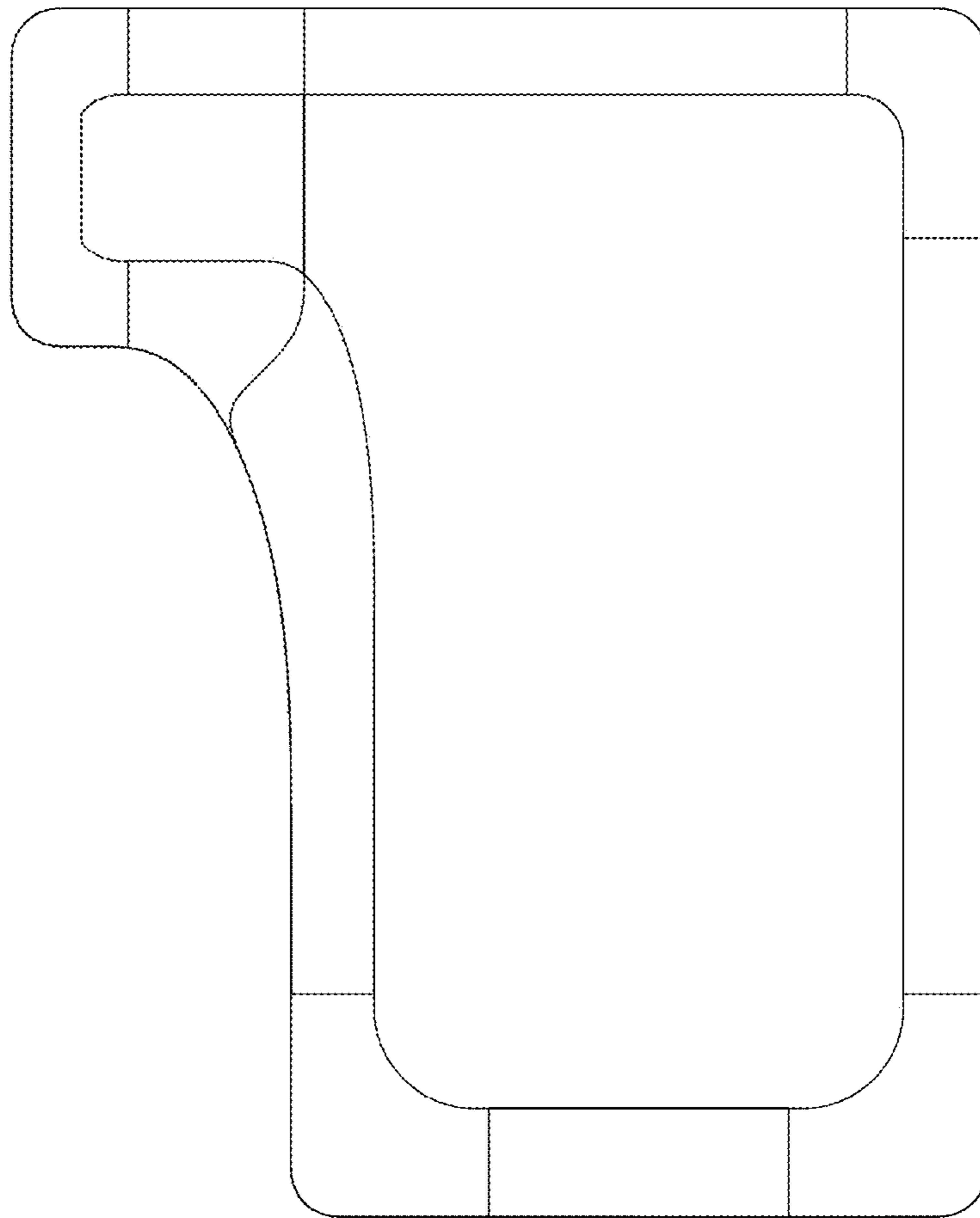


Fig. 3

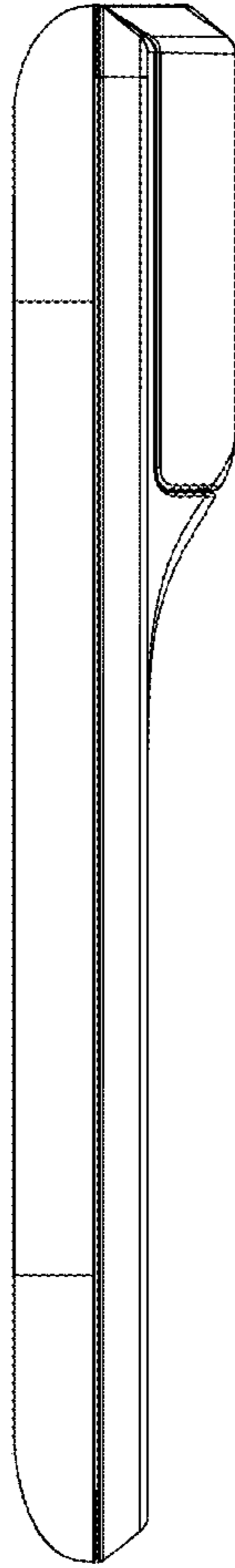


Fig. 4

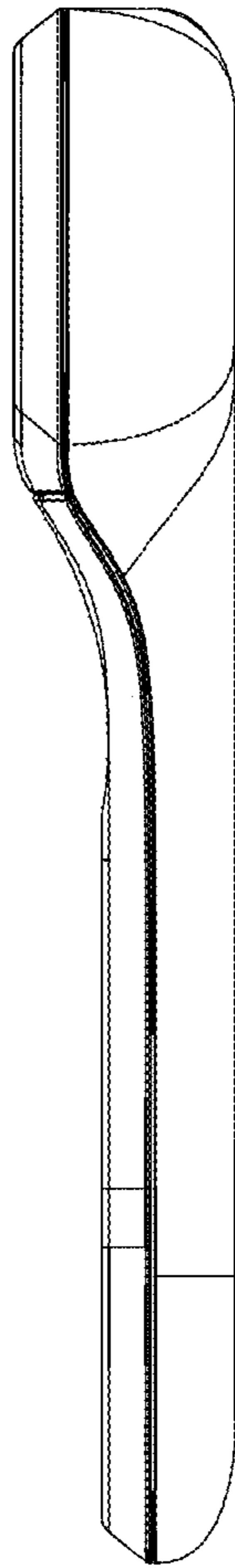


Fig. 5

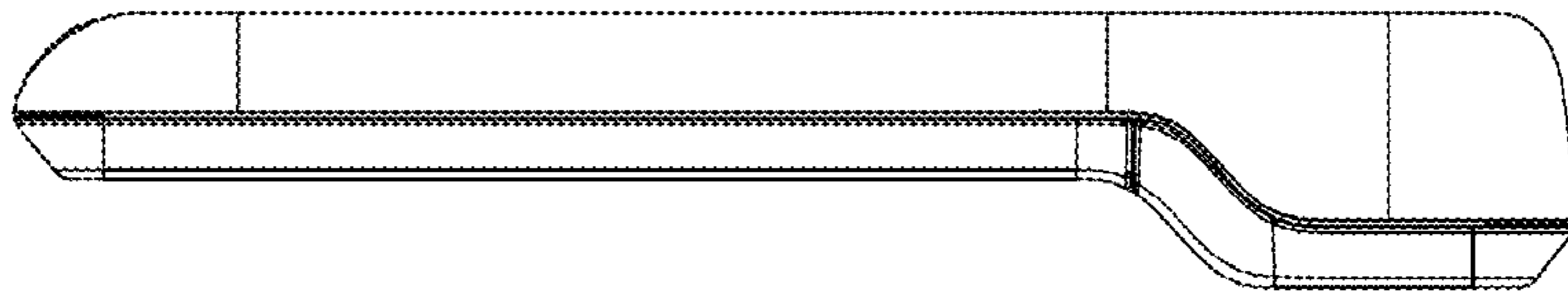


Fig. 6

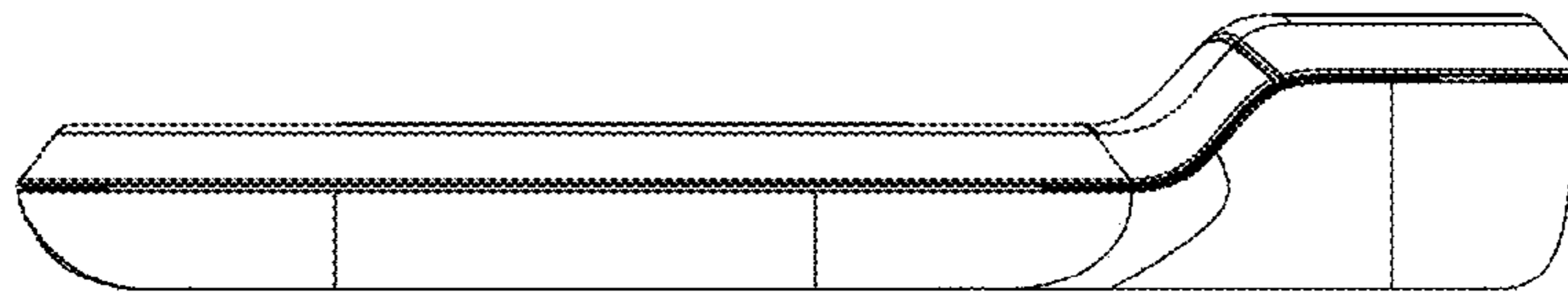


Fig. 7