



US00D923931S

(12) **United States Design Patent** (10) **Patent No.:** **US D923,931 S**
Yang (45) **Date of Patent:** **** Jul. 6, 2021**

(54) **CELL PHONE POUCH**
(71) Applicant: **SHENZHENSHI GUANGSHENGHONGYUAN TRADING CO., LTD.**, Shenzhen (CN)
(72) Inventor: **Gaozong Yang**, Shenzhen (CN)
(73) Assignee: **SHENZHENSHI GUANGSHENGHONGYUAN TRADING CO., LTD.**, Shenzhen (CN)
(*) Notice: This patent is subject to a terminal disclaimer.
(**) Term: **15 Years**
(21) Appl. No.: **29/748,755**
(22) Filed: **Sep. 1, 2020**
(51) **LOC (13) Cl.** **03-01**
(52) **U.S. Cl.**
USPC **D3/218**
(58) **Field of Classification Search**
USPC D3/218, 201, 215, 219, 228, 269, 301, D3/303, 226, 247-248; 224/196-197, 224/240-241, 578, 674, 676-681, 930; D14/253, 248, 250-251; 455/575.1, 455/575.8; 206/305, 320
CPC .. A45F 5/02; A45F 5/021; A45F 5/022; A45F 2005/00; A45F 2005/02; A45F 2200/02; A45F 2200/0516; A45F 2200/0591; A45F 3/02; A45F 3/14
See application file for complete search history.

D870,455 S * 12/2019 Yang D3/226
D880,149 S 4/2020 Yang
D886,448 S * 6/2020 Zhang D3/226

OTHER PUBLICATIONS

Apple iPhone 8 Plus Case, iPhone 7 Plus Leather Case Belt Clip Holster with Clip and Loops Cell Phone Carrying Pouch, https://www.amazon.com/iPhone-Leather-Holster-Carrying-Bumper/dp/B01LOWP38Q/ref=asc_df_B01LOWP38Q/?tag=hyprod-20&linkCode=df0&hvadid=309831041750&hvpos=&hvnetw=g&hvrn (Year: 2016).*
For Samsung Galaxy Express 3 J120A, Galaxy Amp 2 SM-J120A, Premium Leather AGOZ Pouch Case Holster. <https://www.walmart.com/ip/For-Samsung-Galaxy-Express-3-J120A-Amp-2-SM-J120A-Premium-Leather-AGOZ-Pouch-Case-Holster-Belt-Clip-Loops-Fits-With-A-Slim-Cover/621324848> (Year: 2020).*
PG6 Heavy Duty Rugged Nylon Carrying Cell Phone Holster Case with Belt Loop and Carabiner Hook for iPhone 11ProMas XsMax 8+ 7+ 6+, (Year: 2019).*
Samsung S10+ S10 S9+ S9 S8+ S8 S7Edge S6Edge(Fits with Slim Case On) . . . https://www.amazon.com/PG6-Carrying-Holster-Carabiner-Samsung/dp/B07SGD7PM1/ref=cm_cr_arp_d_pl_foot_t.*

* cited by examiner

Primary Examiner — Catherine R Oliver-Garcia

(57) **CLAIM**

The ornamental design for a cell phone pouch, as shown and described.

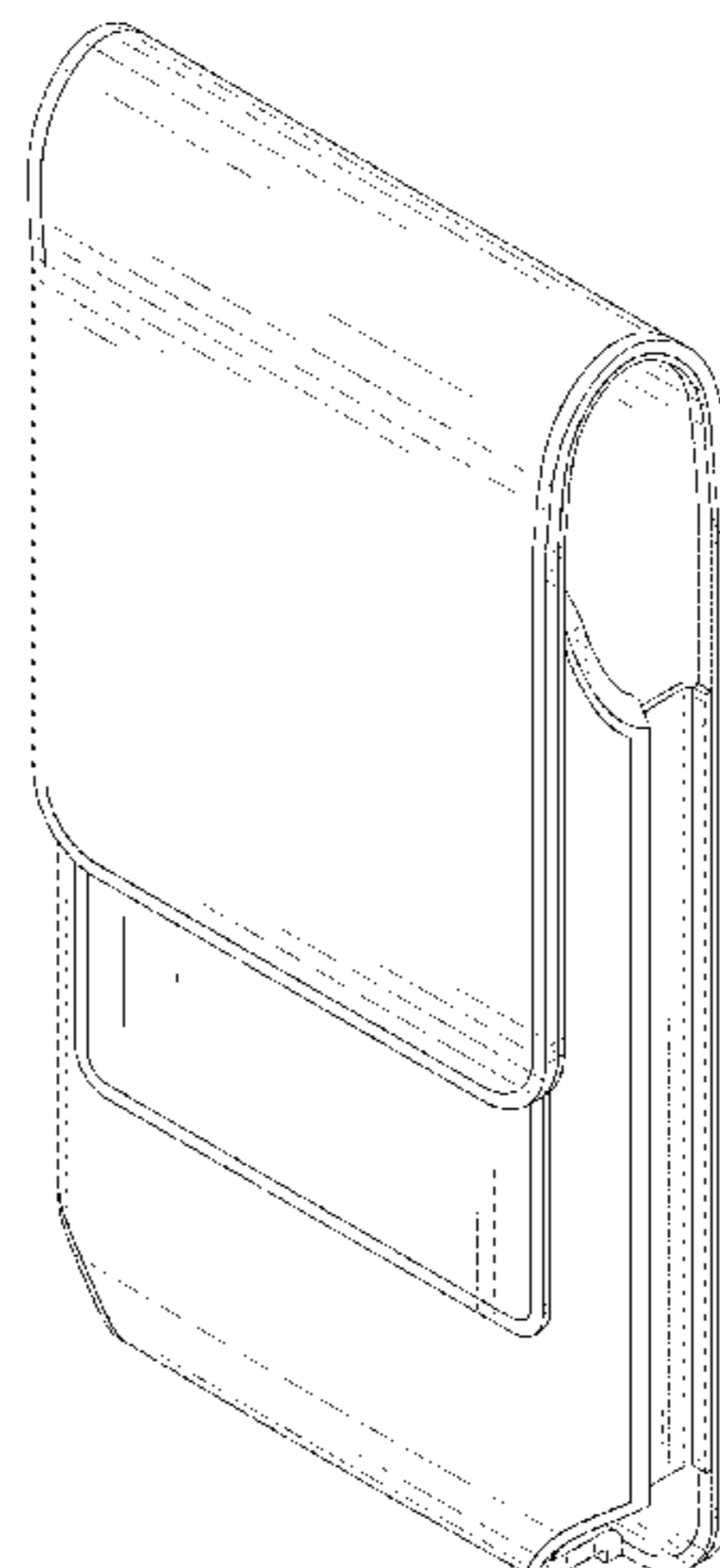
DESCRIPTION

FIG. 1 is a perspective view of a cell phone pouch showing my new design;
FIG. 2 is another perspective view thereof;
FIG. 3 is a front elevational view thereof;
FIG. 4 is a rear elevational view thereof;
FIG. 5 is a left side elevational view thereof;
FIG. 6 is a right side elevational view thereof;
FIG. 7 is a top plan view thereof; and,
FIG. 8 is a bottom plan view thereof.

(Continued)

(56) **References Cited**
U.S. PATENT DOCUMENTS

D465,323 S * 11/2002 Dancyger D3/226
D495,872 S 9/2004 Patton
D805,763 S * 12/2017 Zhang D3/218
D819,960 S 6/2018 Zhang
D856,677 S 8/2019 Gill
D858,502 S 9/2019 Zhang



The broken lines in the drawings illustrate portions of the cell phone pouch that form no part of the claimed design.

1 Claim, 8 Drawing Sheets

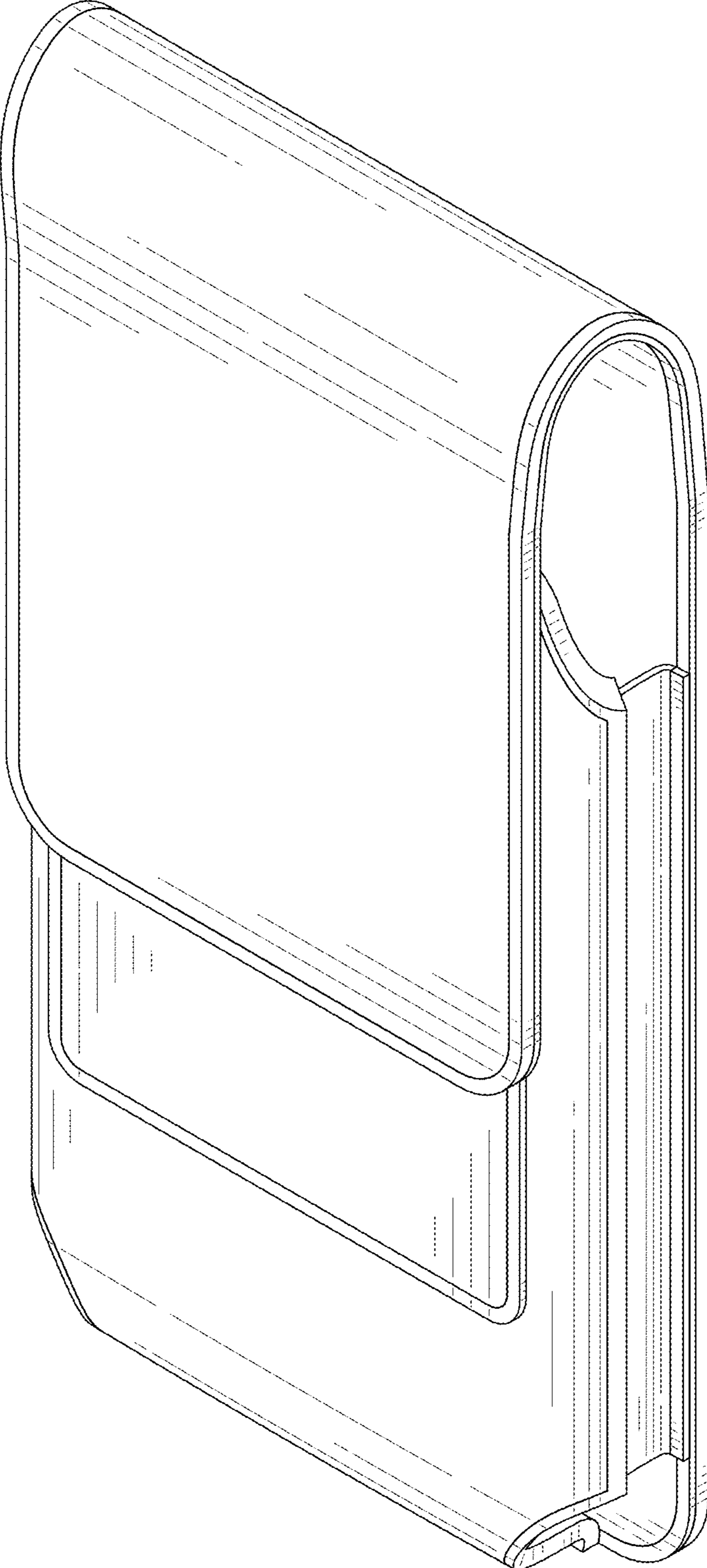


FIG. 1

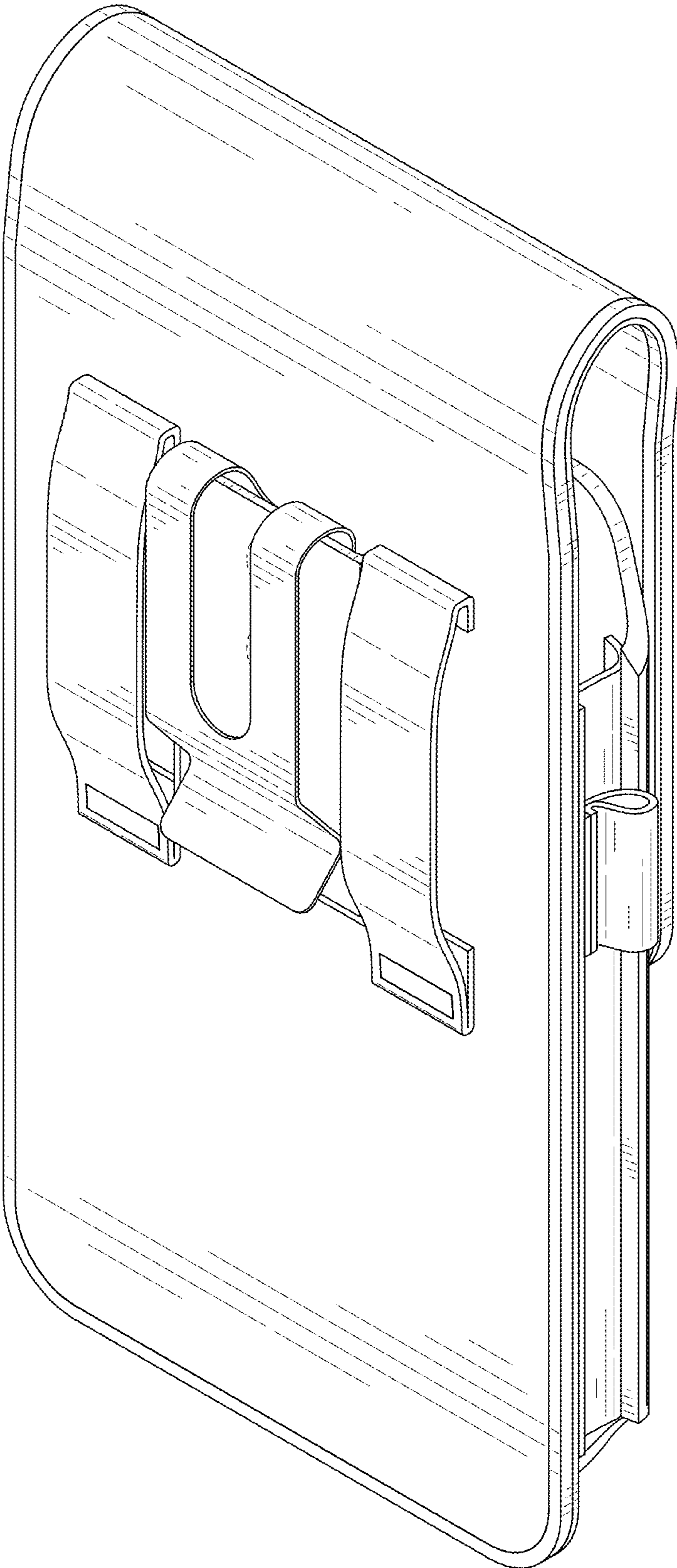


FIG. 2

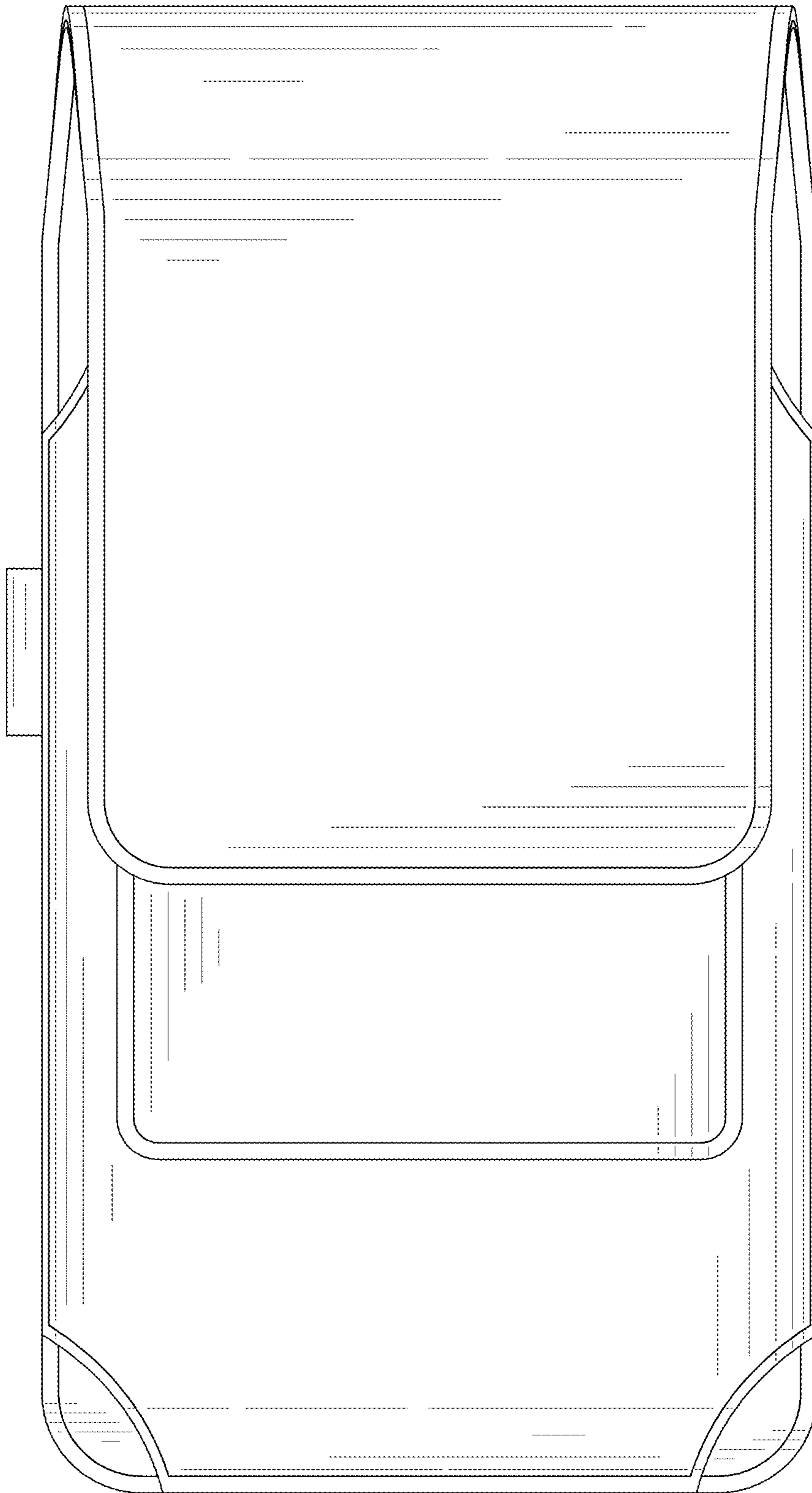


FIG. 3

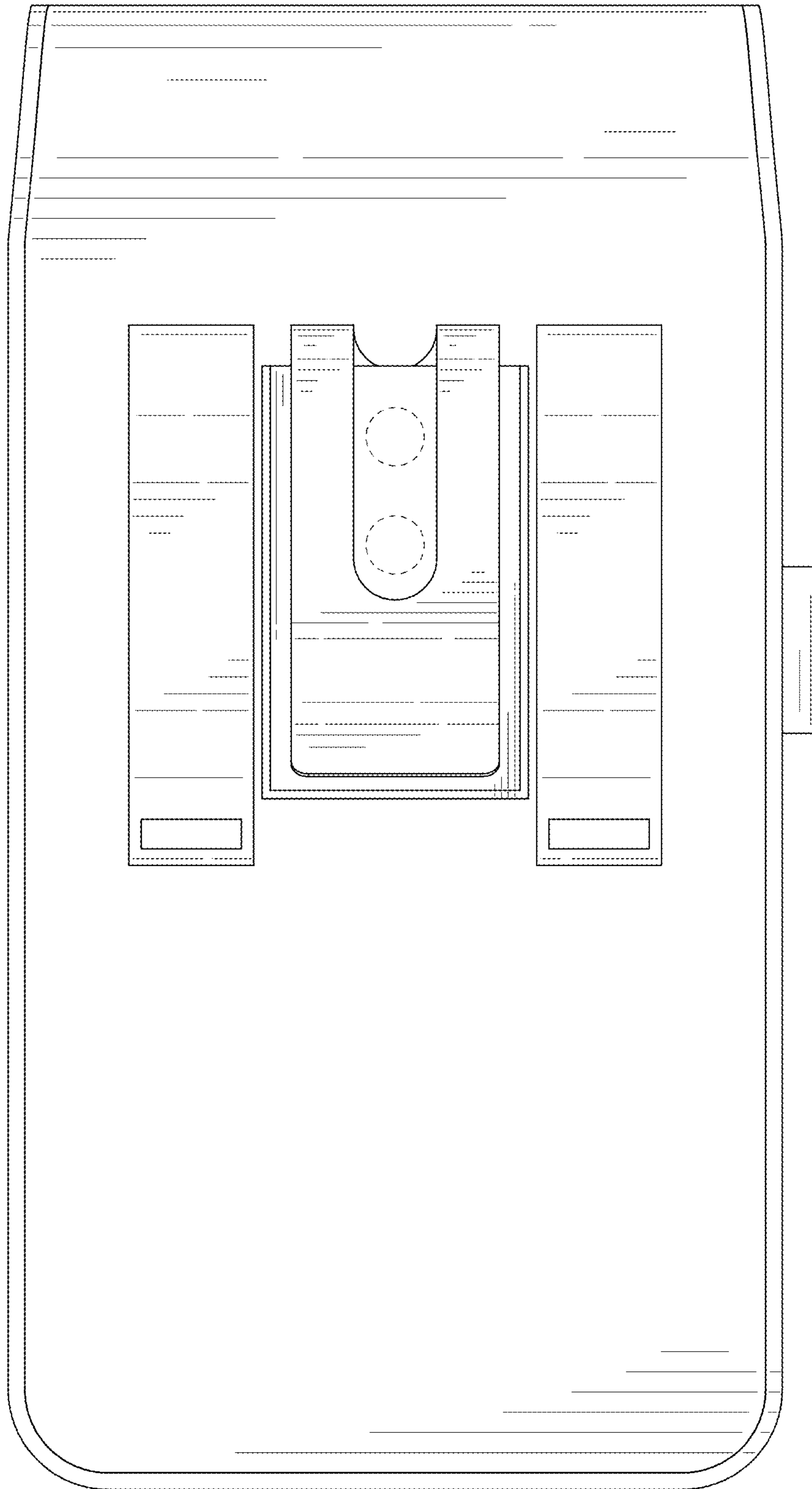


FIG. 4

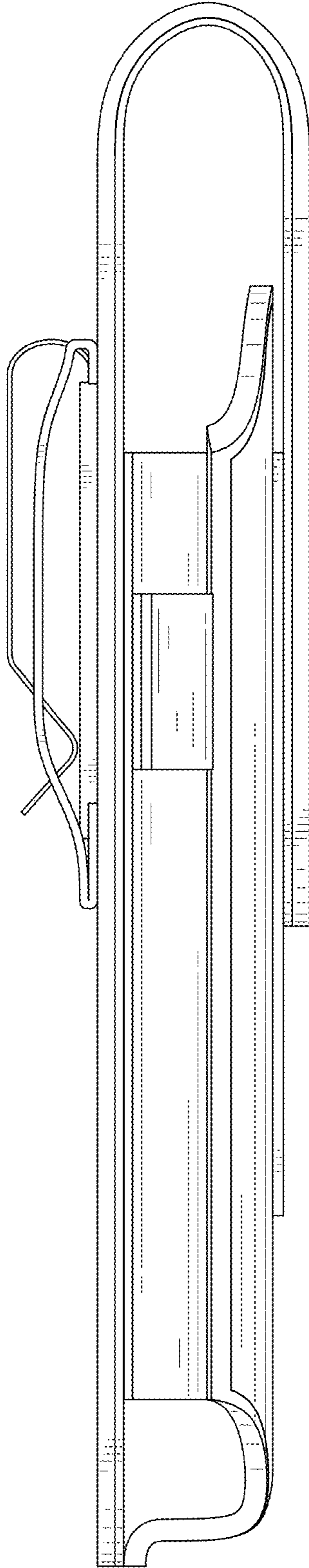


FIG. 5

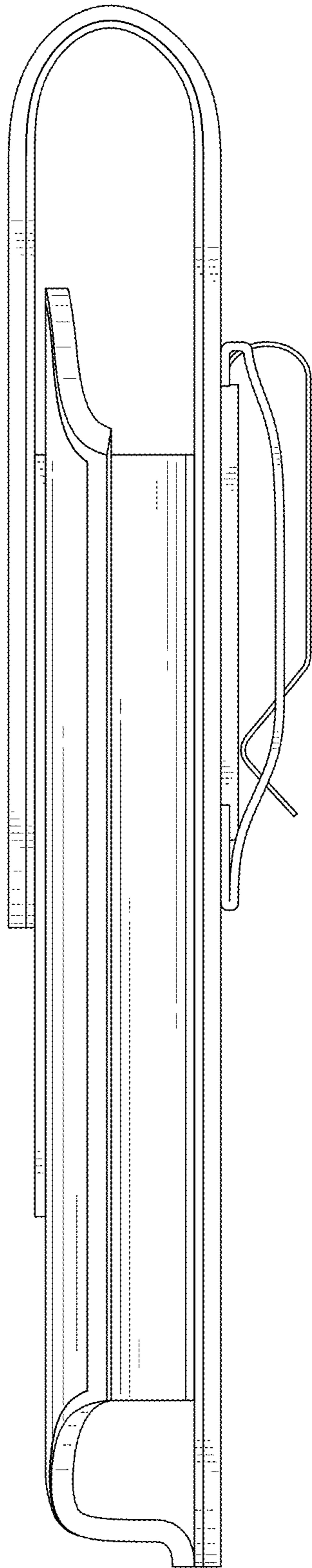


FIG. 6

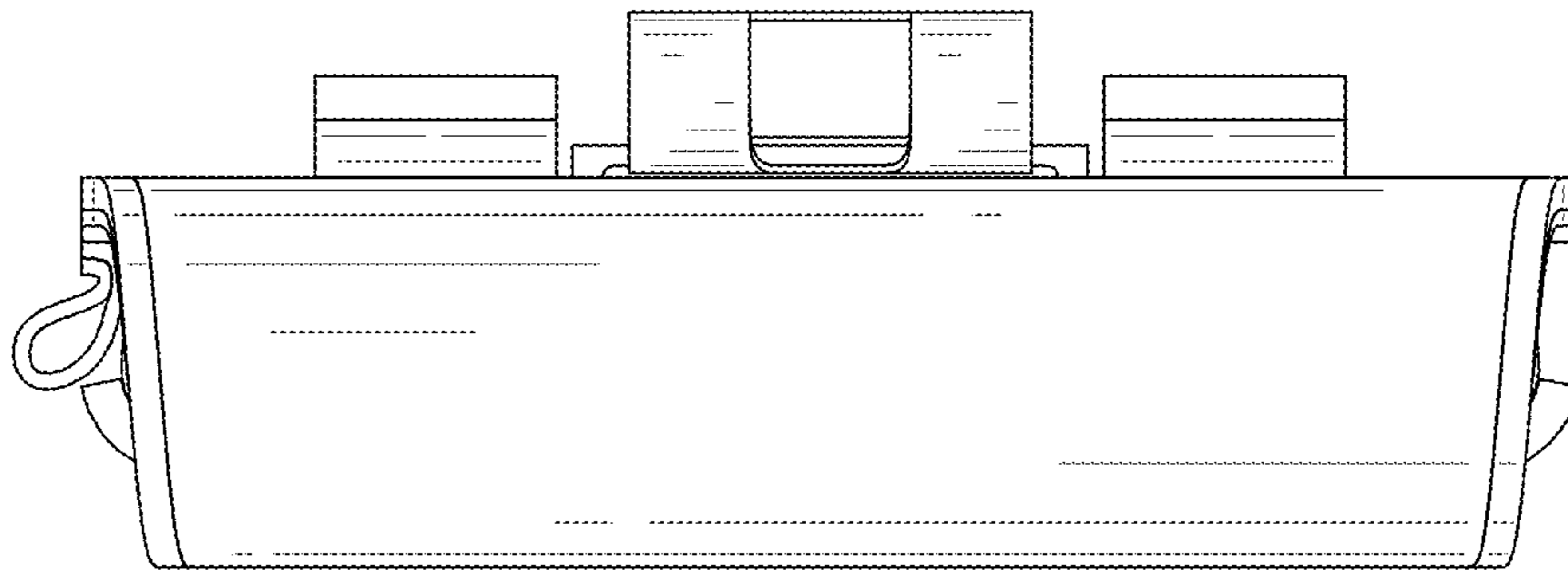


FIG. 7

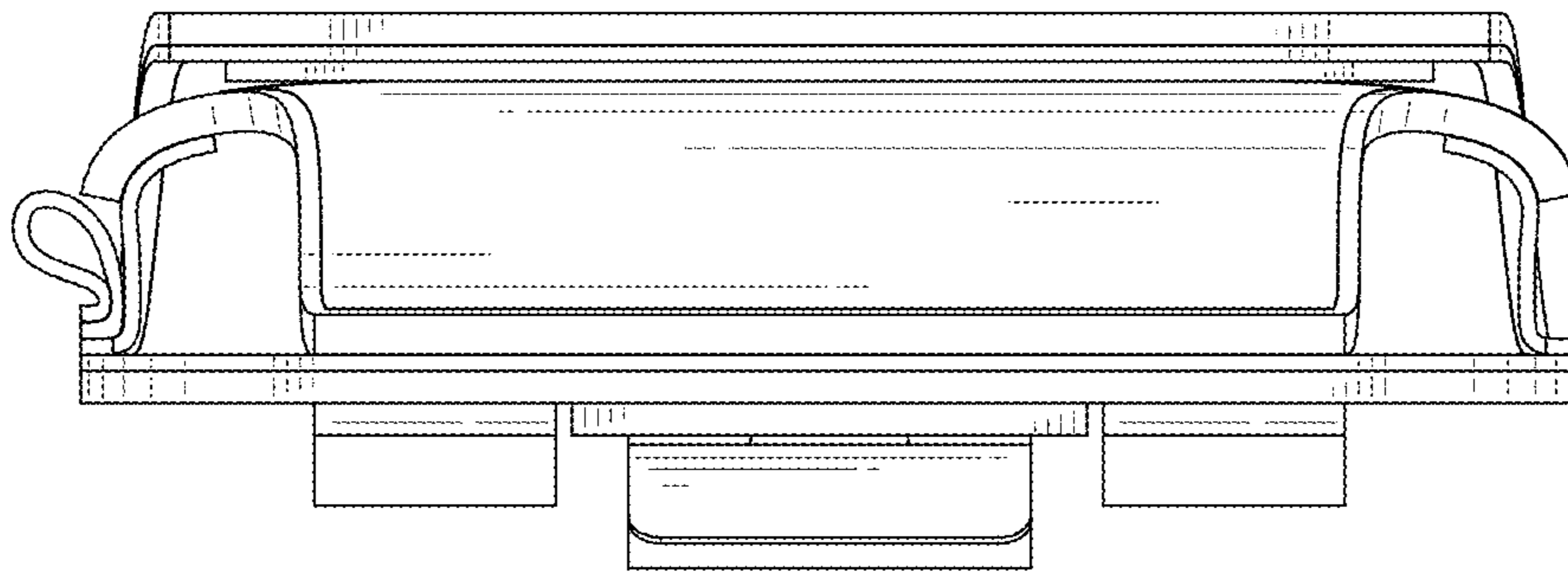


FIG. 8