



US00D923919S

(12) **United States Design Patent** (10) **Patent No.:** **US D923,919 S**
Wu et al. (45) **Date of Patent:** **** Jul. 6, 2021**

(54) **BIB**

(71) Applicant: **Tiny Twinkle, Inc.**, Phoenix, AZ (US)

(72) Inventors: **Huafei Wu**, Zhejiang Province (CN);
Ashley Camille Andrews, Phoenix, AZ (US)

(73) Assignee: **Tiny Twinkle, Inc.**, Phoenix, AZ (US)

(**) Term: **15 Years**

(21) Appl. No.: **29/697,709**

(22) Filed: **Jul. 10, 2019**

(30) **Foreign Application Priority Data**

May 2, 2019 (CN) 201920626516.5
May 2, 2019 (CN) 201930211249.0

(51) **LOC (13) Cl.** **02-02**

(52) **U.S. Cl.**
USPC **D2/861**

(58) **Field of Classification Search**
USPC D2/228, 265, 502, 728, 733, 776, 819,
D2/823, 826, 828, 830, 839, 851, 857,
D2/860, 861, 862, 863, 864
(Continued)

(56) **References Cited**

U.S. PATENT DOCUMENTS

D106,839 S * 11/1937 Cohen A41B 13/103
D2/819
D131,807 S * 3/1942 Garbis A41D 13/04
D2/819

(Continued)

OTHER PUBLICATIONS

McCall's Patterns M7177, announced 2015 (online), [site visited Dec. 22, 2020]. Available from URL: <<https://www.amazon.com/McCalls-Patterns-Infants-Template-Envelope/dp/B0114CNYC8/>> (Year: 2015).*

(Continued)

Primary Examiner — Kevin K Rudzinski

Assistant Examiner — Amber J Rabie

(74) *Attorney, Agent, or Firm* — Quarles & Brady LLP

(57) **CLAIM**

The ornamental design for a bib, as shown and described.

DESCRIPTION

FIG. 1 is a first perspective view of a bib showing our new design;

FIG. 2 is a second perspective view thereof;

FIG. 3 is a first elevational view thereof;

FIG. 4 is a second elevational view thereof;

FIG. 5 is a third elevational view thereof;

FIG. 6 is a fourth elevational view thereof;

FIG. 7 is a top plan view thereof;

FIG. 8 is a bottom plan view thereof;

FIG. 9 is a first perspective view of a bib showing our new design, according to a second embodiment of the design;

FIG. 10 is a second perspective view thereof;

FIG. 11 is a first elevational view thereof;

FIG. 12 is a second elevational view thereof;

FIG. 13 is a third elevational view thereof;

FIG. 14 is a fourth elevational view thereof;

FIG. 15 is a top plan view thereof;

FIG. 16 is a bottom plan view thereof;

FIG. 17 is a first perspective view of a bib showing our new design, according to a third embodiment of the design;

FIG. 18 is a second perspective view thereof;

FIG. 19 is a first elevational view thereof;

FIG. 20 is a second elevational view thereof;

FIG. 21 is a third elevational view thereof;

FIG. 22 is a fourth elevational view thereof;

FIG. 23 is a top plan view thereof;

FIG. 24 is a bottom plan view thereof;

FIG. 25 is a first perspective view of a bib showing our new design, according to a fourth embodiment of the design;

FIG. 26 is a second perspective view thereof;

FIG. 27 is a first elevational view thereof;

FIG. 28 is a second elevational view thereof;

FIG. 29 is a third elevational view thereof;

(Continued)

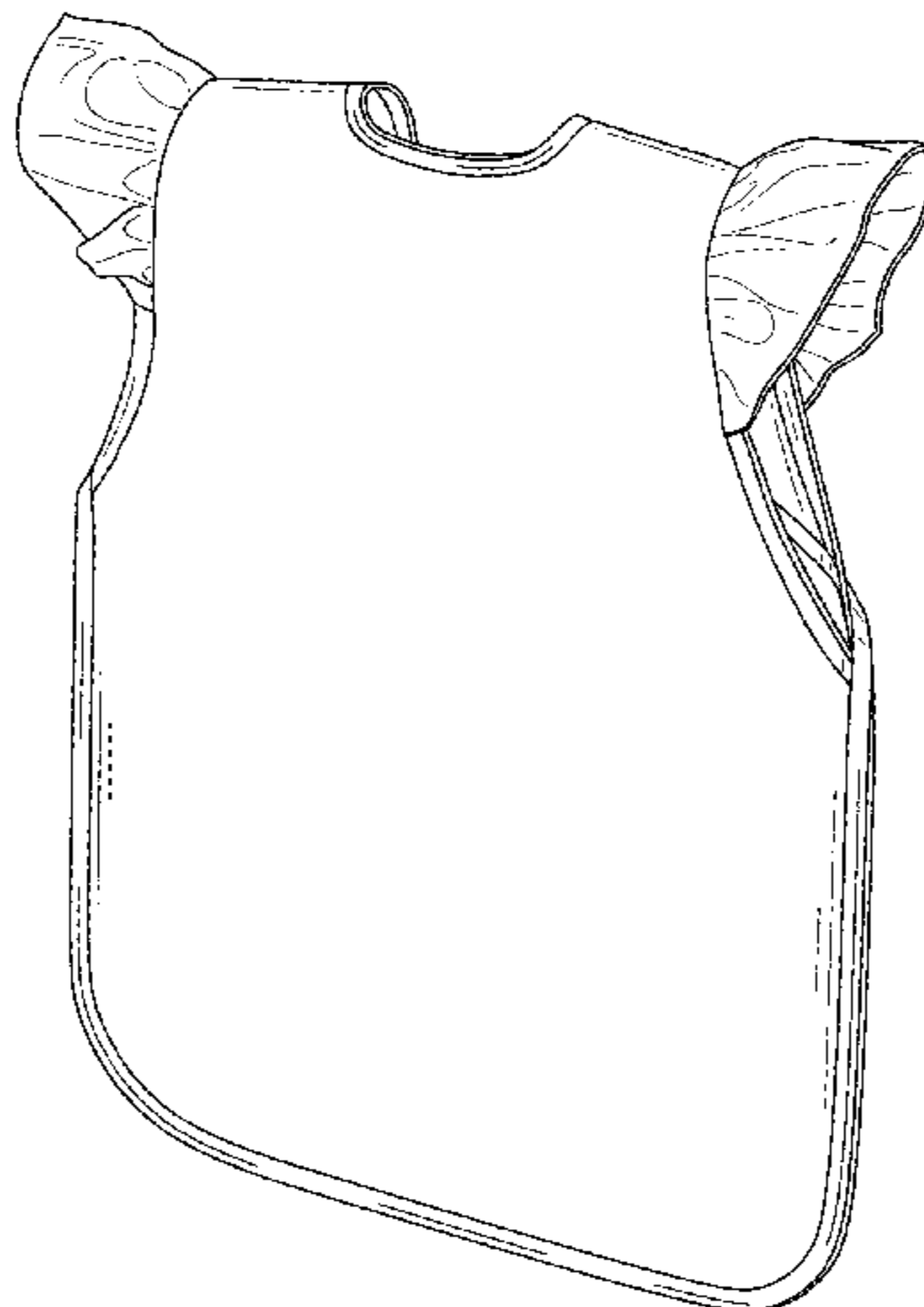


FIG. 30 is a fourth elevational view thereof;
 FIG. 31 is a top plan view thereof;
 FIG. 32 is a bottom plan view thereof;
 FIG. 33 is a first perspective view of a bib showing our new design, according to a fifth embodiment of the design;
 FIG. 34 is a second perspective view thereof;
 FIG. 35 is a first elevational view thereof;
 FIG. 36 is a second elevational view thereof;
 FIG. 37 is a third elevational view thereof;
 FIG. 38 is a fourth elevational view thereof;
 FIG. 39 is a top plan view thereof;
 FIG. 40 is a bottom plan view thereof;
 FIG. 41 is a first perspective view of a bib showing our new design, according to a sixth embodiment of the design;
 FIG. 42 is a second perspective view thereof;
 FIG. 43 is a first elevational view thereof;
 FIG. 44 is a second elevational view thereof;
 FIG. 45 is a third elevational view thereof;
 FIG. 46 is a fourth elevational view thereof;
 FIG. 47 is a top plan view thereof; and,
 FIG. 48 is a bottom plan view thereof.

The even-dash broken lines shown in the drawings depict features that form no part of the claimed design. The dot-dash broken lines shown in the drawings represent the boundaries of the claim and form no part of the claimed design.

1 Claim, 36 Drawing Sheets

(58) **Field of Classification Search**

CPC ... A41B 13/10; A41B 13/103; A41B 2300/33;
 A41B 2300/324; A41D 13/04; A41D
 27/20; A41D 27/08

See application file for complete search history.

(56) **References Cited**

U.S. PATENT DOCUMENTS

D158,028 S * 4/1950 Turner D2/733
 D163,304 S * 5/1951 McEwen D2/862

2,688,750 A * 9/1954 Mink A41B 13/103
 2/49.3
 4,569,086 A * 2/1986 Takefman A41B 13/103
 2/49.2
 D284,709 S * 7/1986 Marconi A41B 13/103
 D2/862
 D288,021 S * 2/1987 Marconi D2/863
 D902,533 S * 11/2020 Glaser D2/840
 2018/0352872 A1 12/2018 Larsen
 2019/0223518 A1* 7/2019 Schutte A41D 13/04
 2020/0196682 A1* 6/2020 Chuah A41B 13/103

OTHER PUBLICATIONS

Hudson Baby Unisex BBY Cotton Terry Drooler Bibs, announced 2017 (online), [site visited Dec. 22, 2020]. Available from URL: <<https://www.amazon.com/Hudson-Baby-Drooler-Pack-Girl/dp/B0743M8FSR/>> (Year: 2017).*

Happy Cherry Kids Waterproof Smock, announced 2018 (online), [site visited Dec. 29, 2020]. Available from URL: <<https://www.amazon.ca/dp/B07JGJVM9K/>> (Year: 2018).*

Bumkins Junior Bib, announced 2018 (online), [site visited Dec. 22, 2020]. Available from URL: <<https://www.amazon.ca/dp/B079FW83LK/?th=1>> (Year: 2018).*

@thebabybibshop Ruffled Baby Bib, announced 2019 (online), [site visited Dec. 22, 2020]. Available from URL: <<https://www.instagram.com/p/BuZLVX3nAki/>> (Year: 2019).*

Bumkins SuperBib product pages from www.Bumkins.com website [online] [retrieved on Jul. 10, 2019], 7 pages. Retrieved from <URL: <https://www.bumkins.com/collections/bibs-smocks-superbib-6-24-mos>>.

Green Sprouts Wipe-off Bibs product page from www.iplaybaby.com website [online] [retrieved on Jul. 10, 2019], 1 page. Retrieved from <URL: <https://iplaybaby.com/green-sprouts/feeding/bibs-burp-pads/wipe-off-bibs-3-pack?color=6>>.

Green Sprouts Snap & Go Bibs product pages from www.iplaybaby.com website [online] [retrieved on Jul. 10, 2019], 2 pages. Retrieved from <URL: <https://iplaybaby.com/green-sprouts/feeding/bibs-burp-pads/snap-go-easy-wear-bibs-3-pack?color=2679>>.

Dex Baby Dura-Bib product pages from www.dexbaby.com website [online] [retrieved on Jul. 10, 2019], 4 pages. Retrieved from <URL: <https://www.dexbaby.com/feeding>>.

OXO product pages for roll-up bib from www.oxo.com website [online] [retrieved on Jul. 10, 2019], 2 pages. Retrieved from <URL: <https://www.oxo.com/oxo-tot-roll-up.bib.html>>.

* cited by examiner

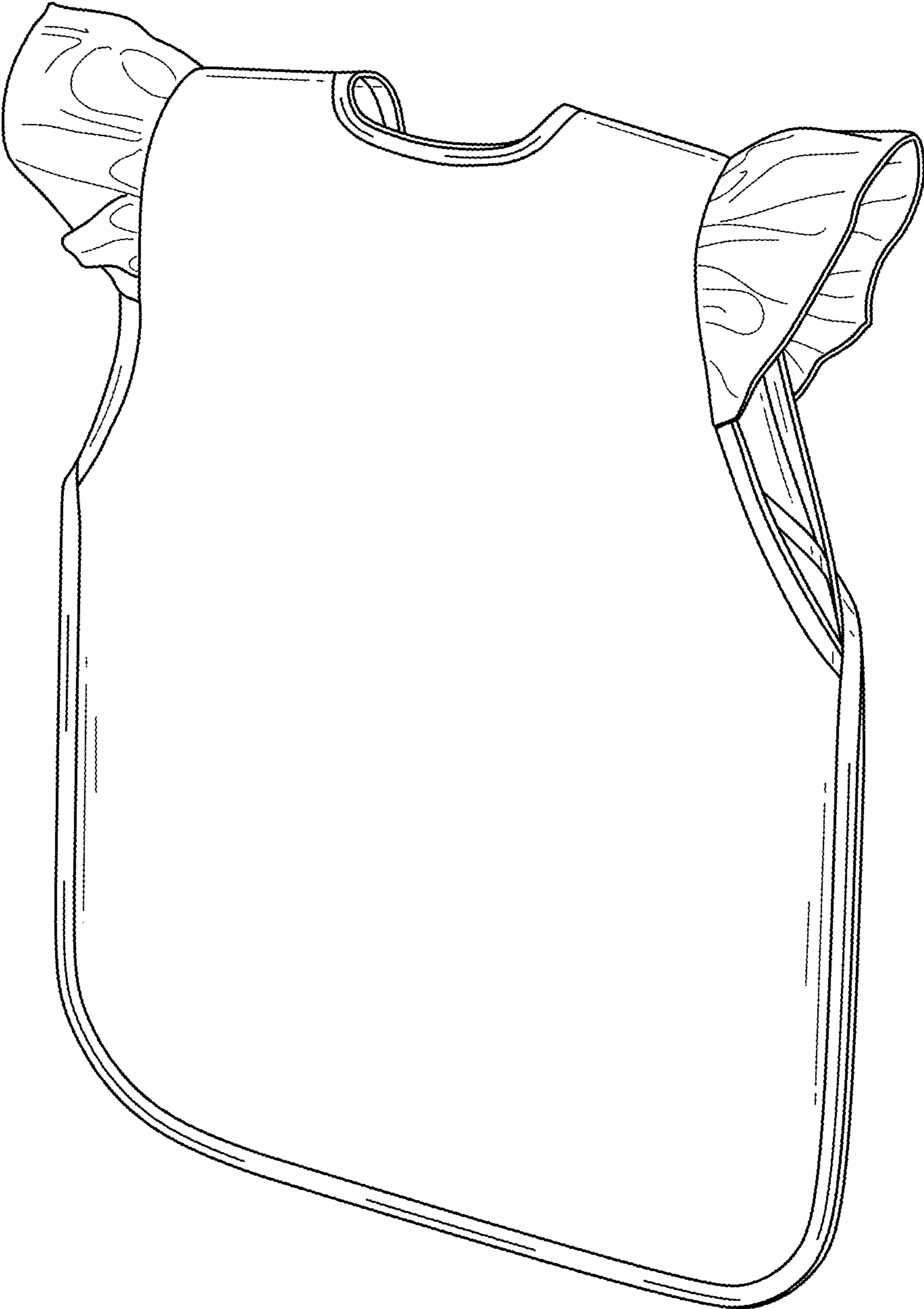


FIG. 1

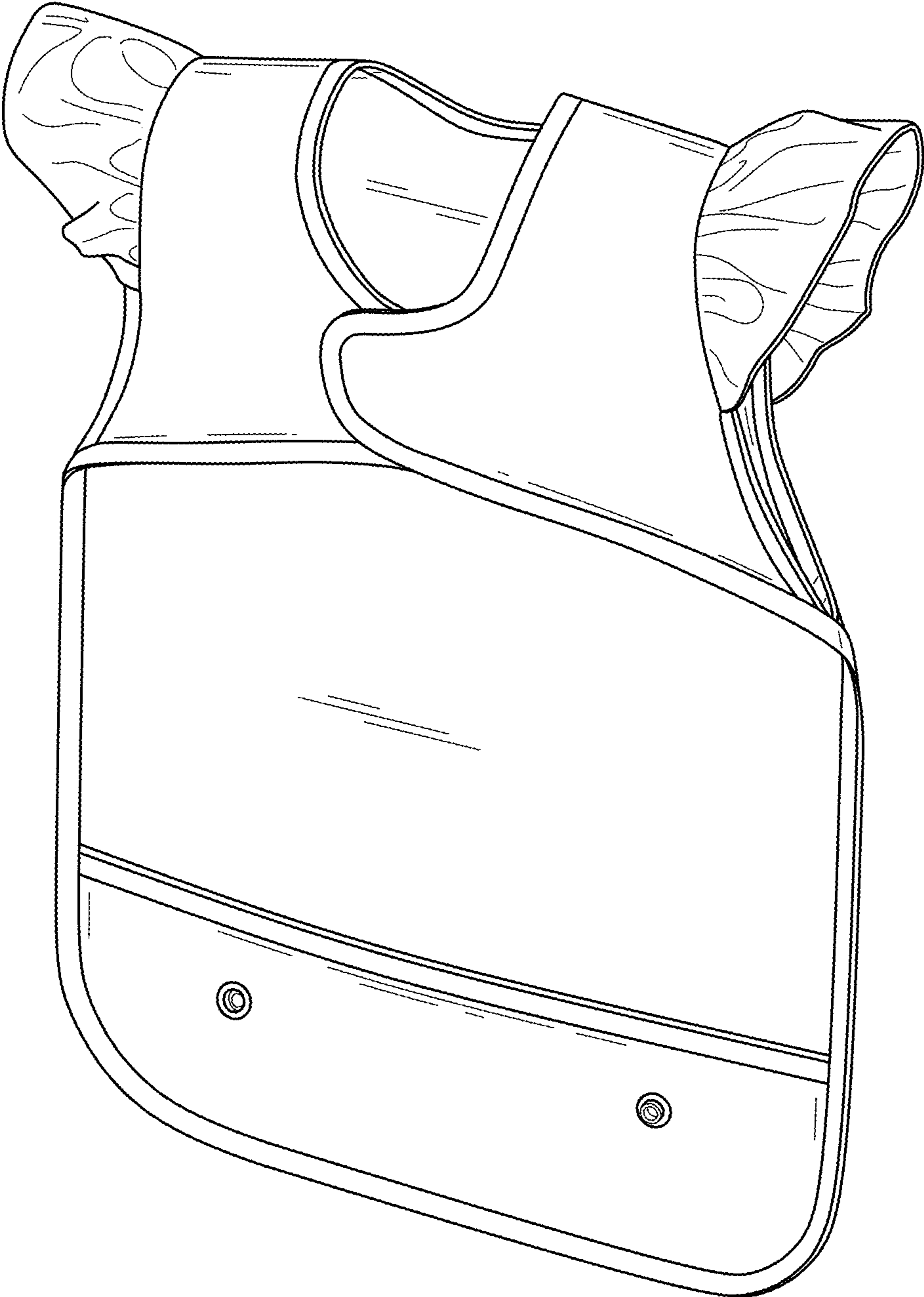


FIG. 2

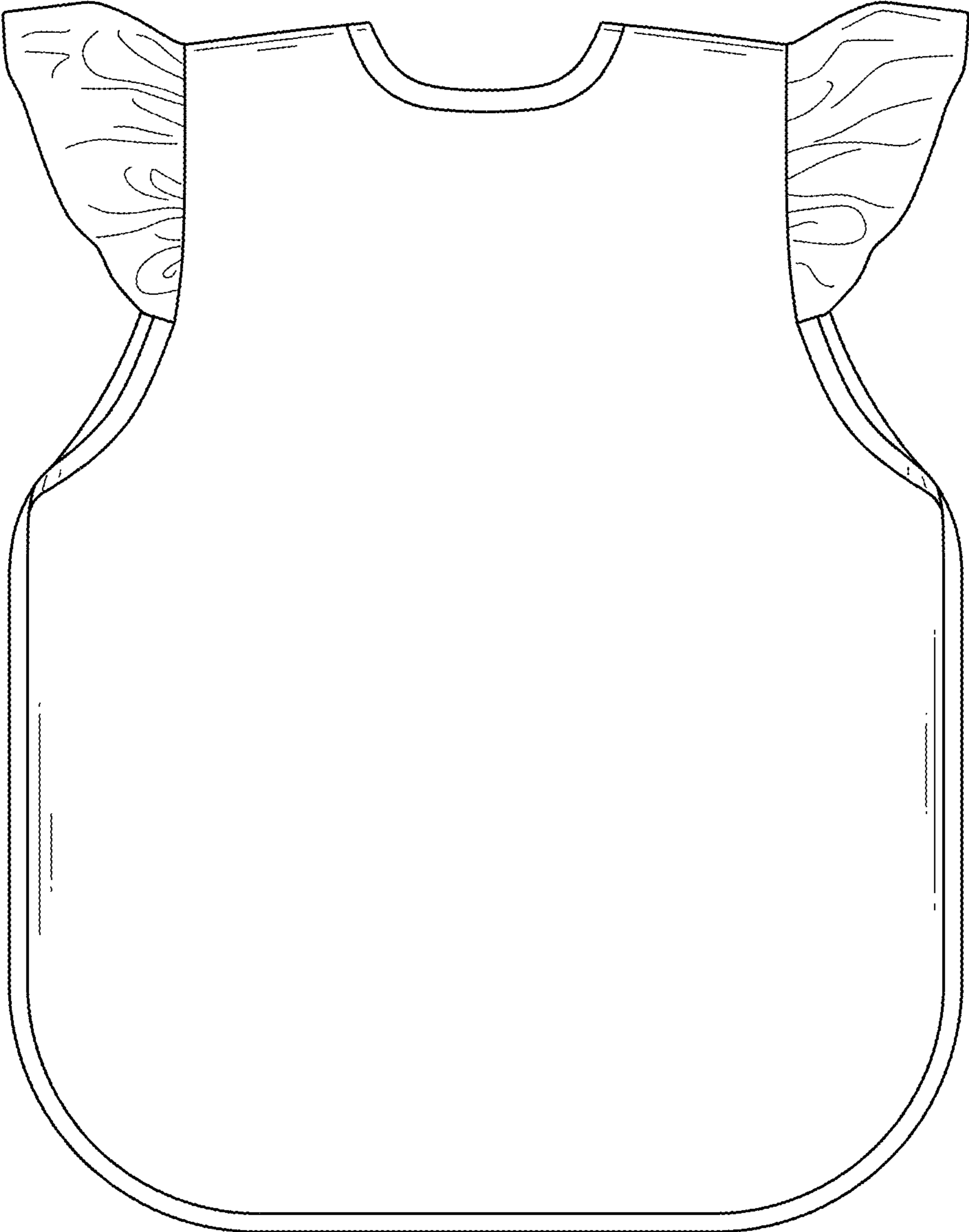


FIG. 3

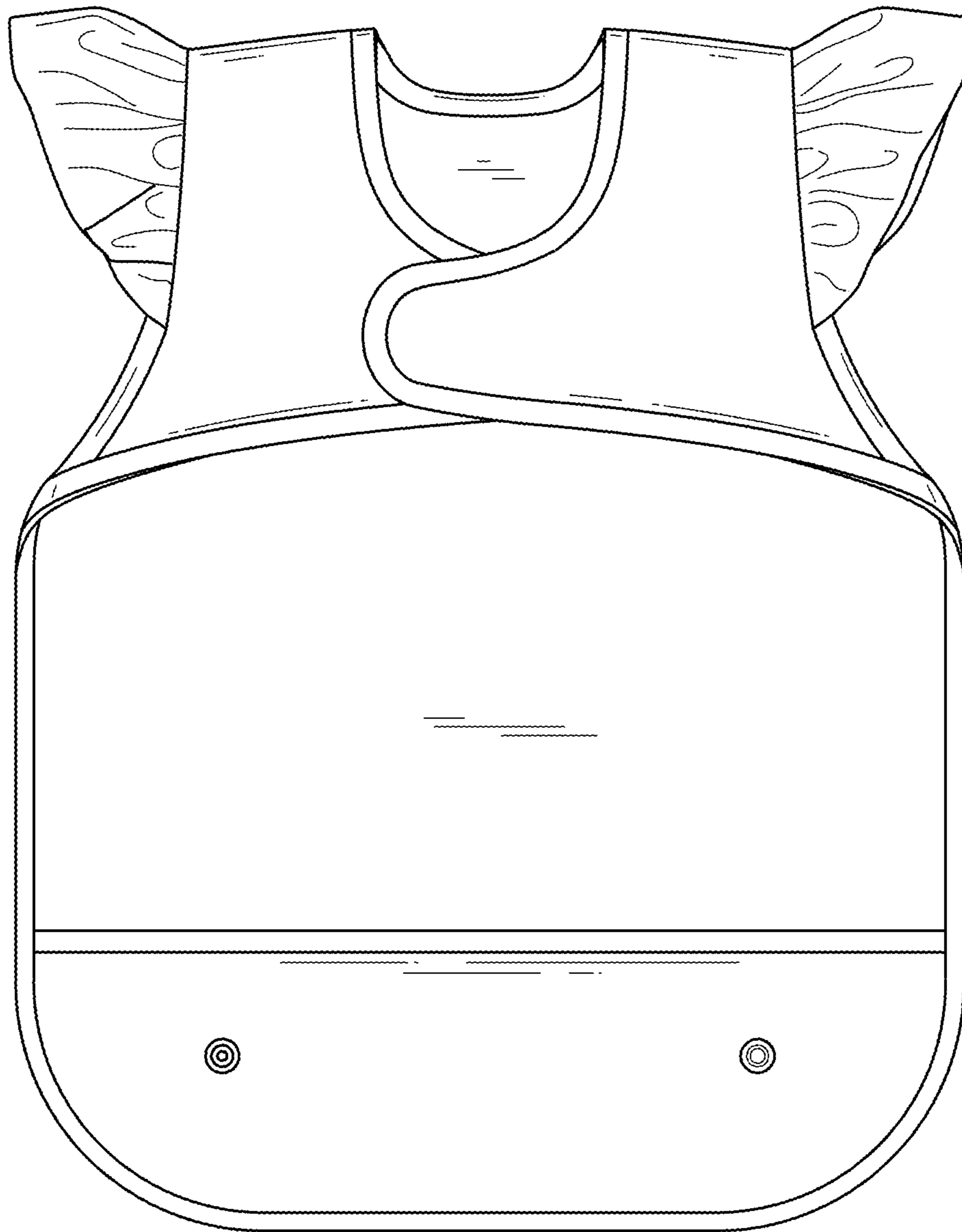


FIG. 4

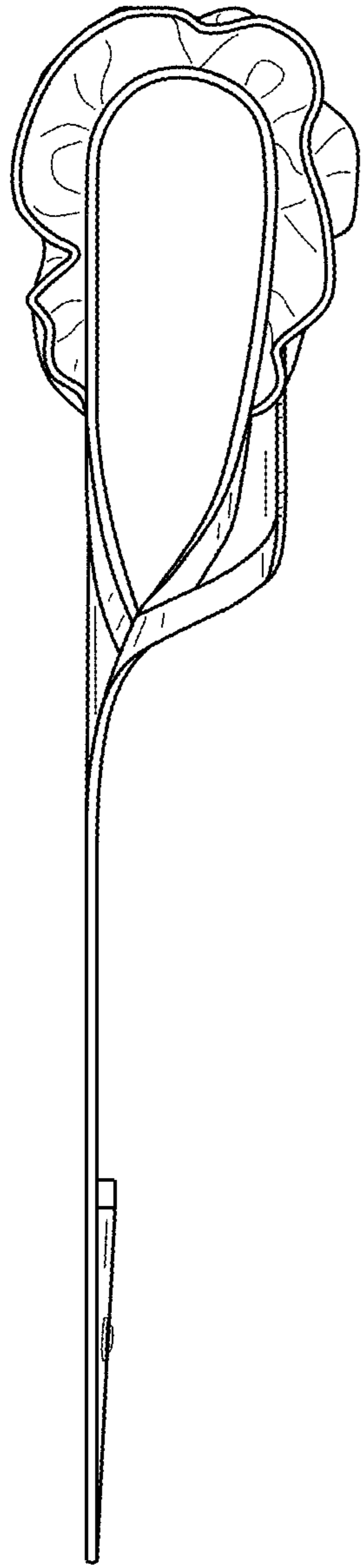


FIG. 5

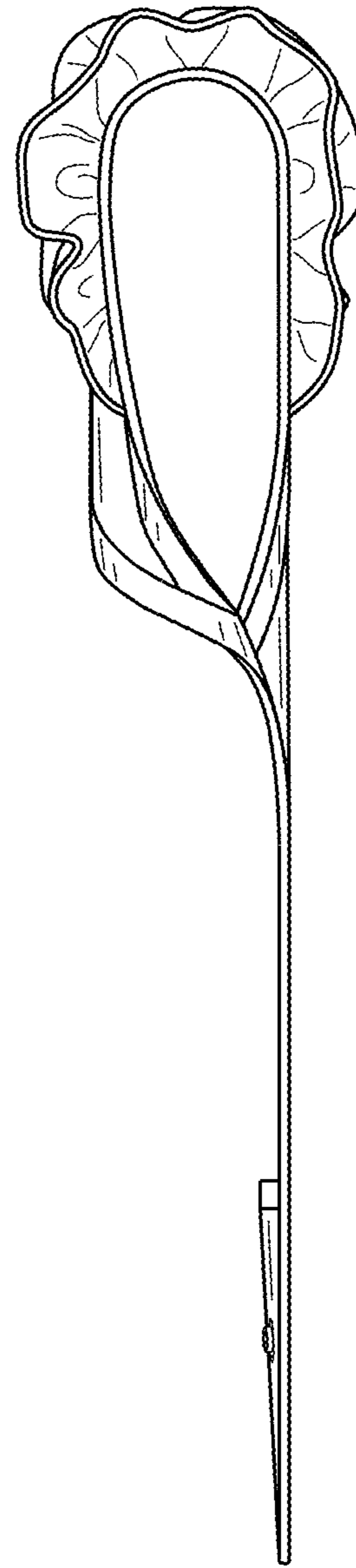


FIG. 6

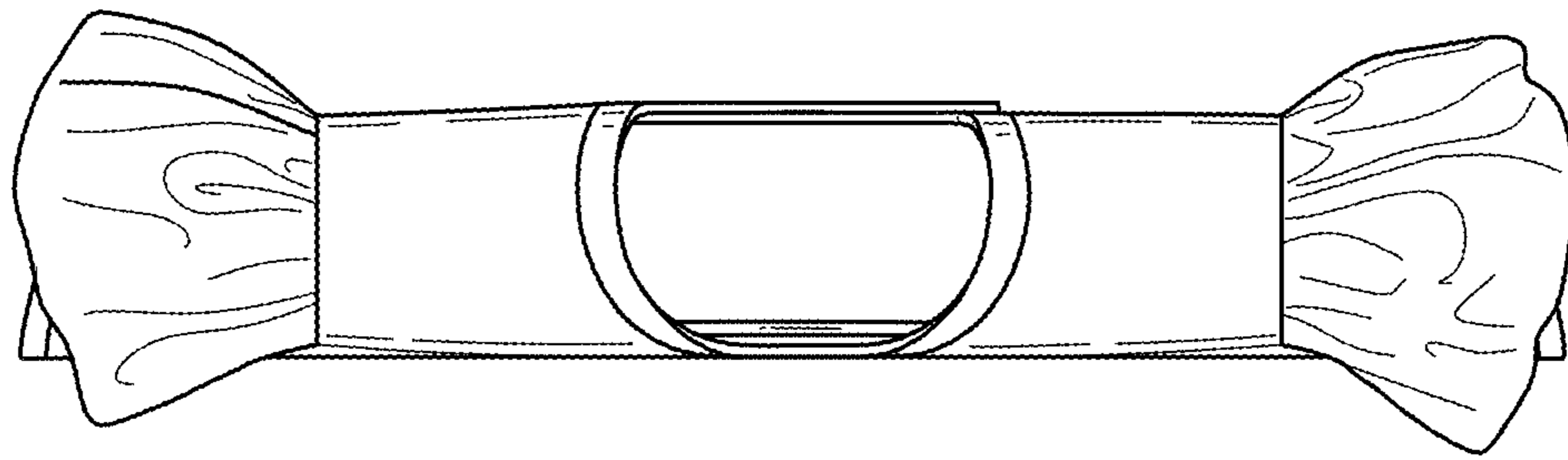


FIG. 7

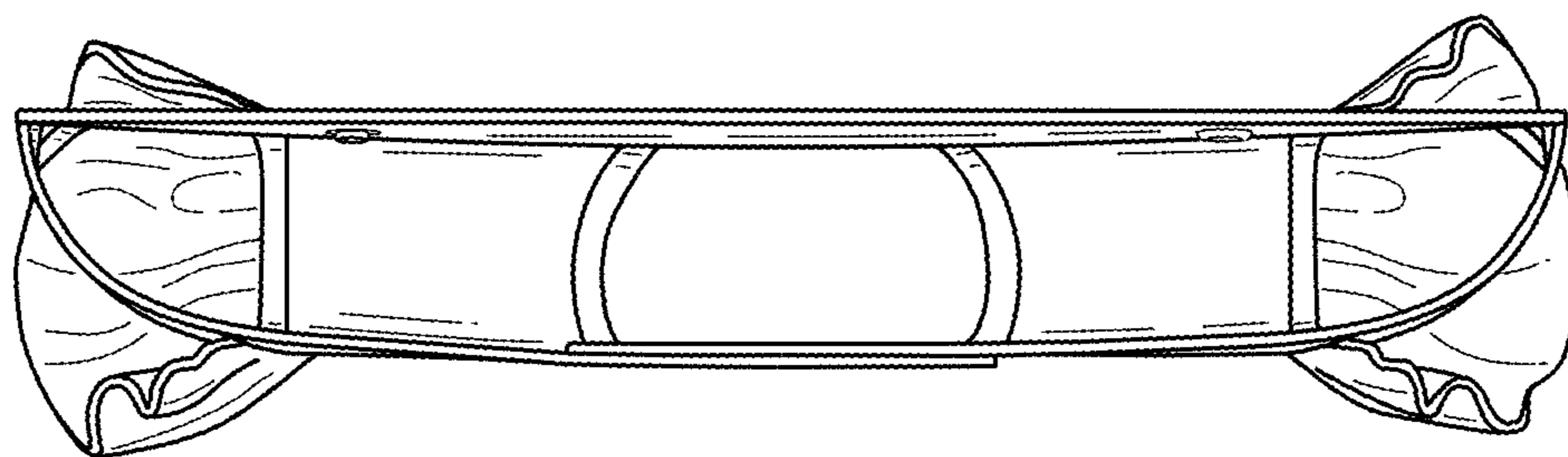


FIG. 8

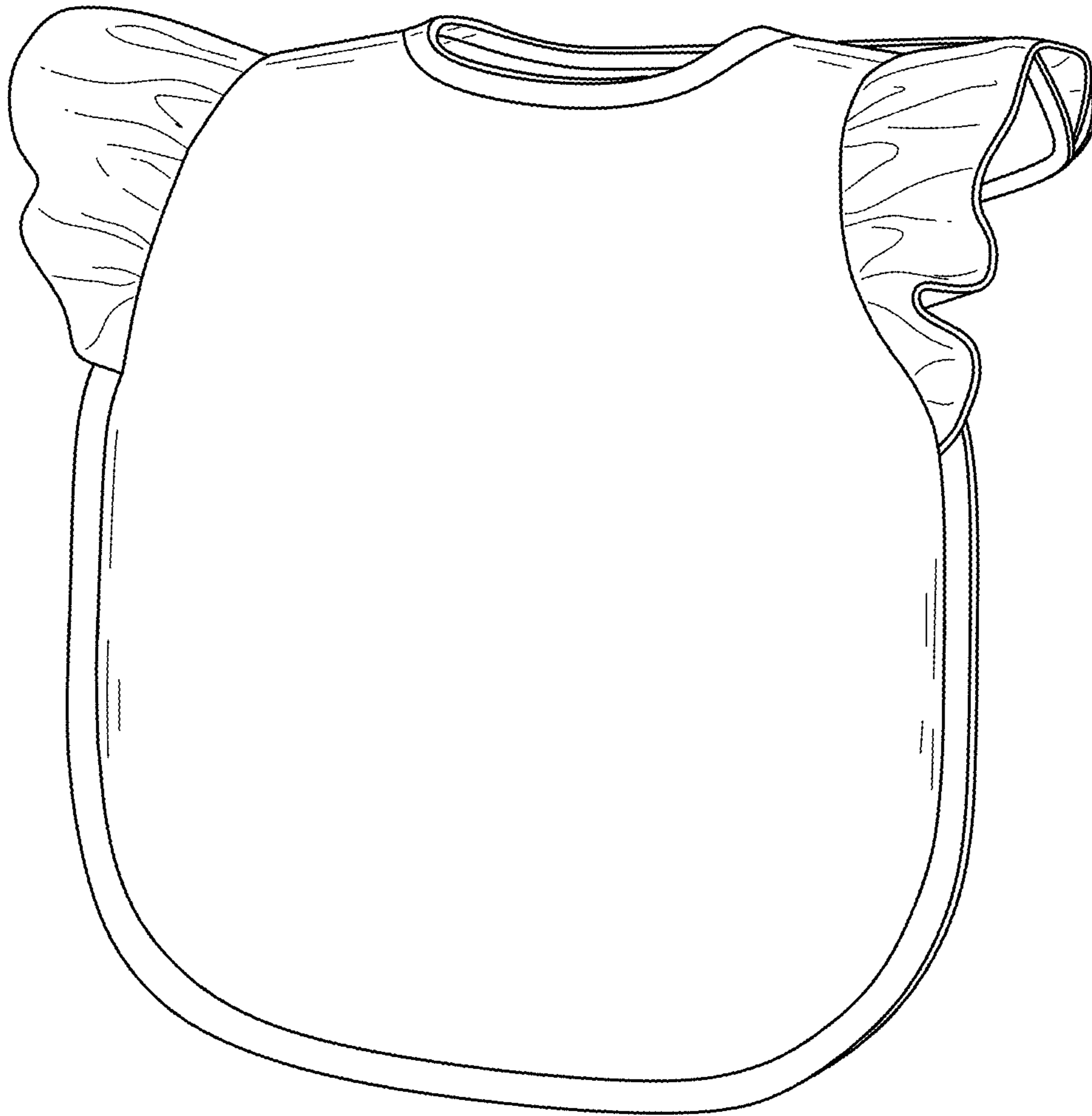


FIG. 9

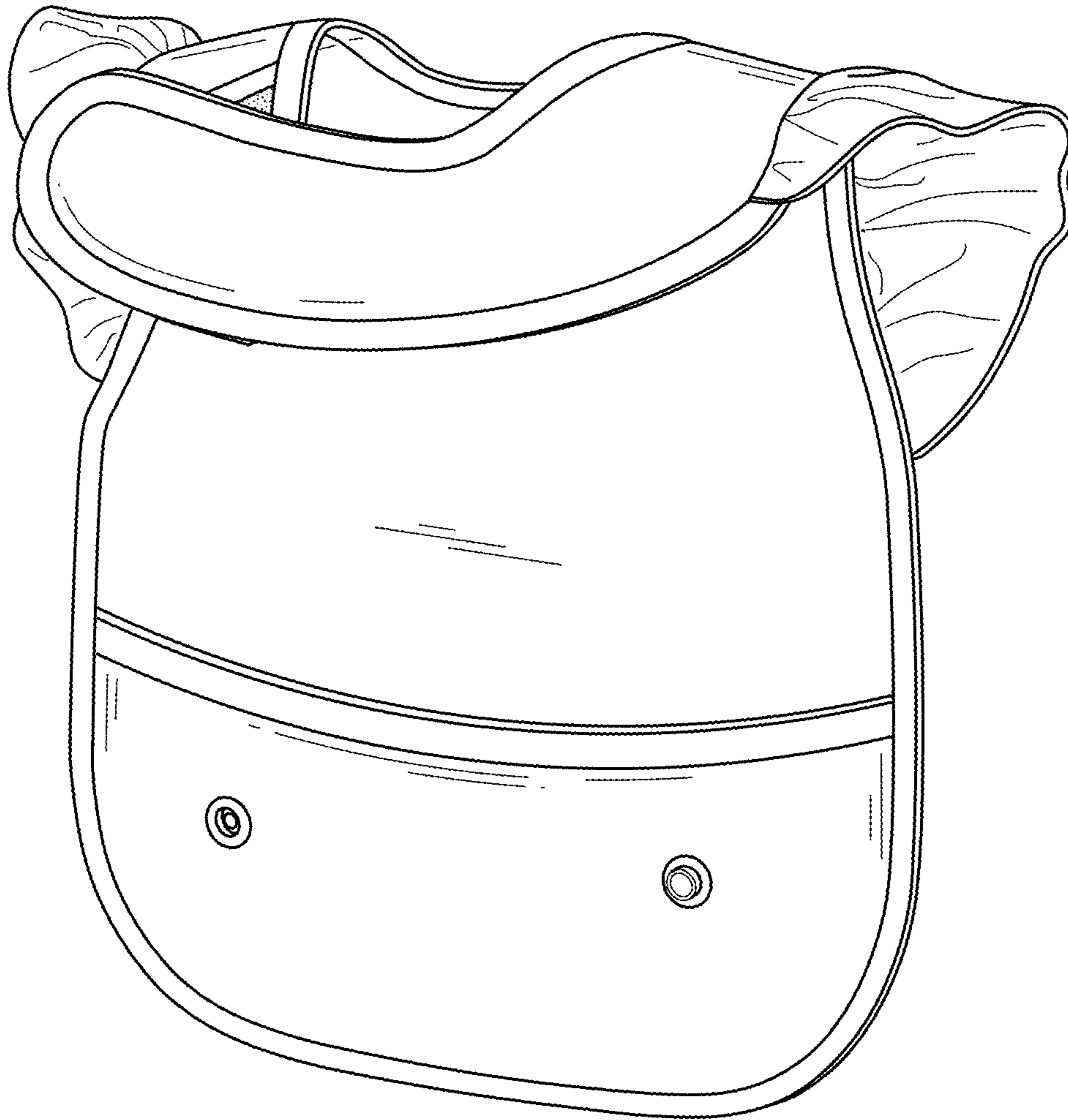


FIG. 10

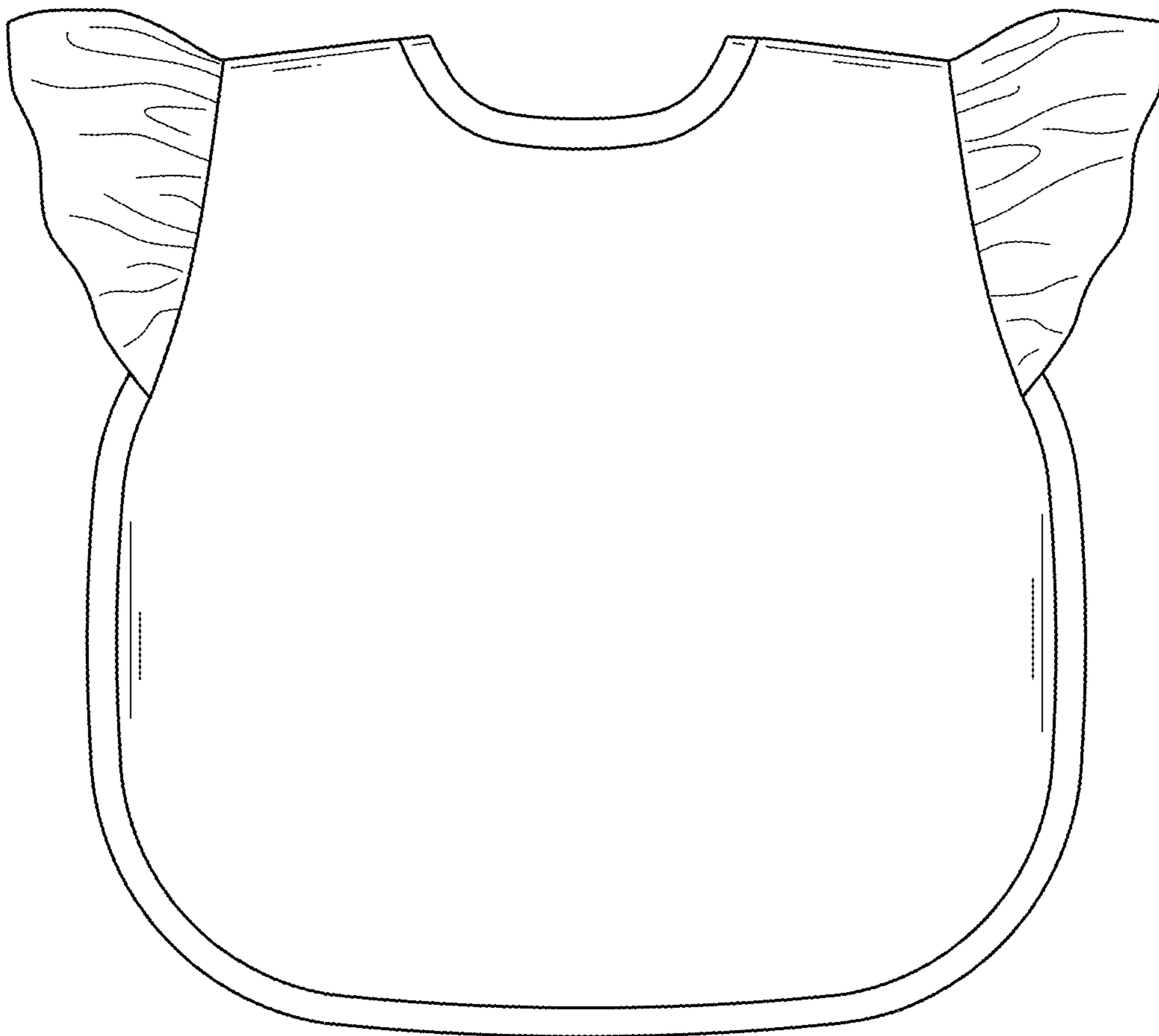


FIG. 11

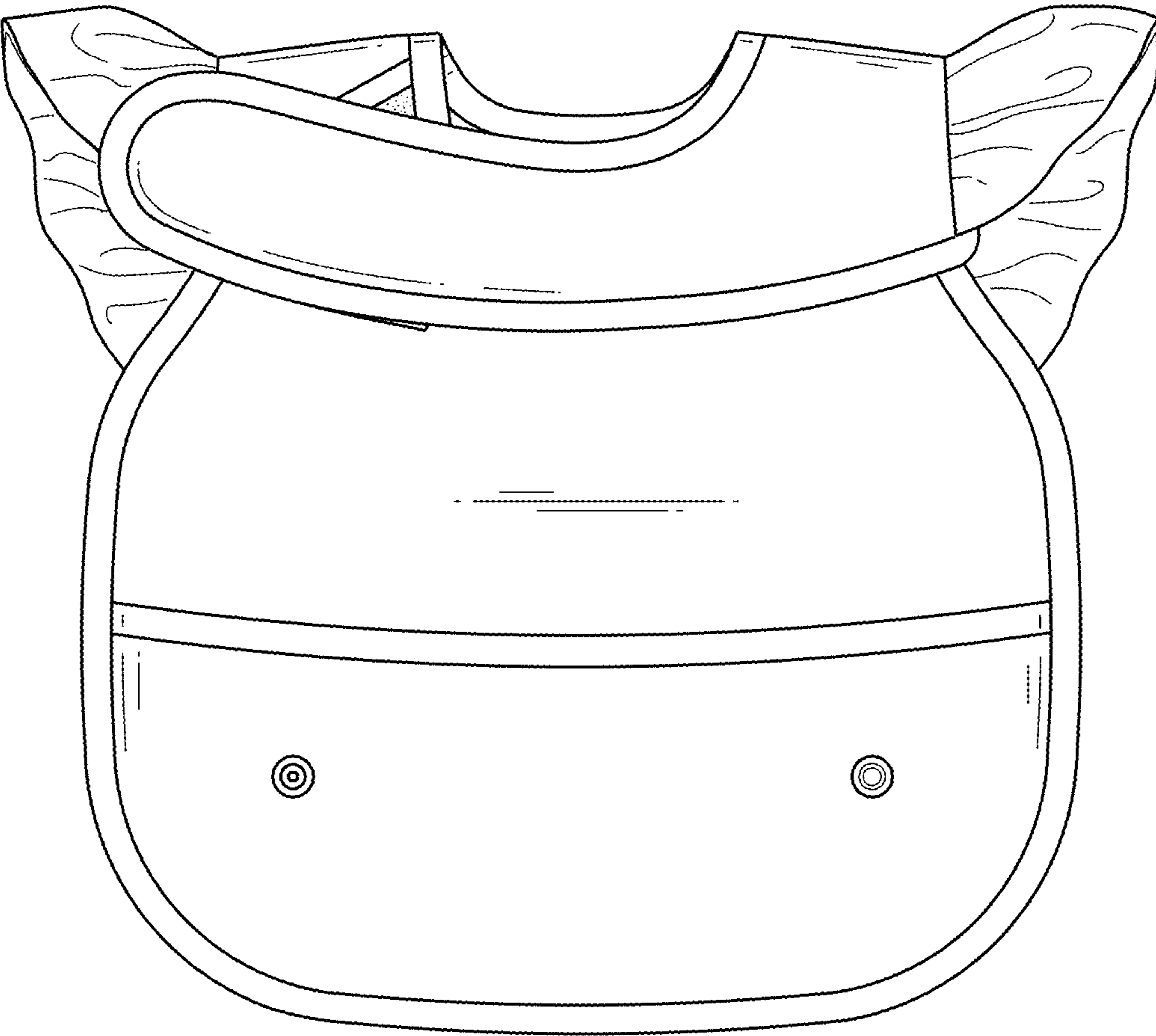


FIG. 12

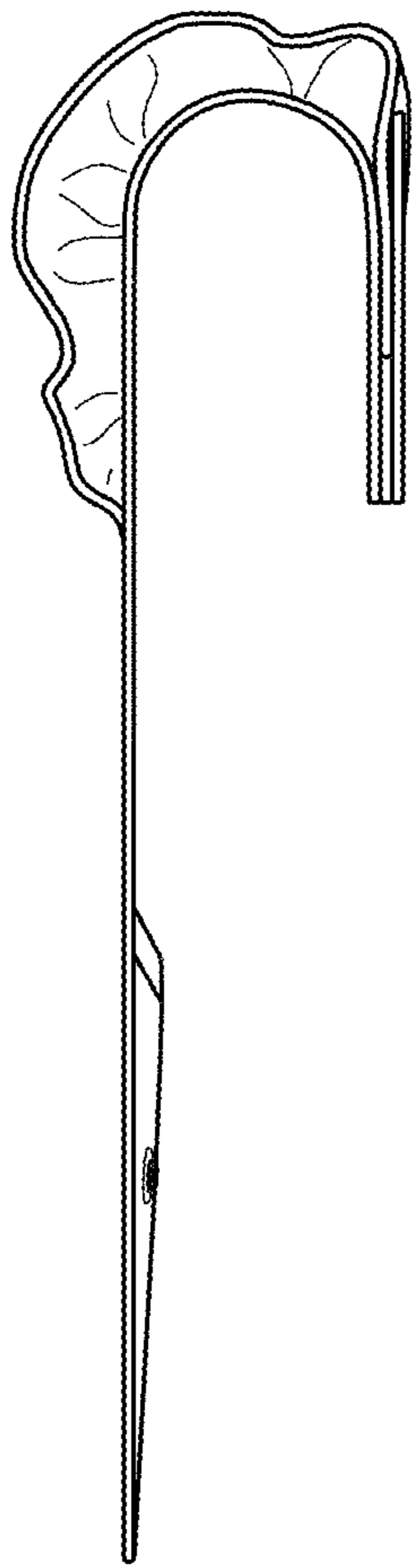


FIG. 13

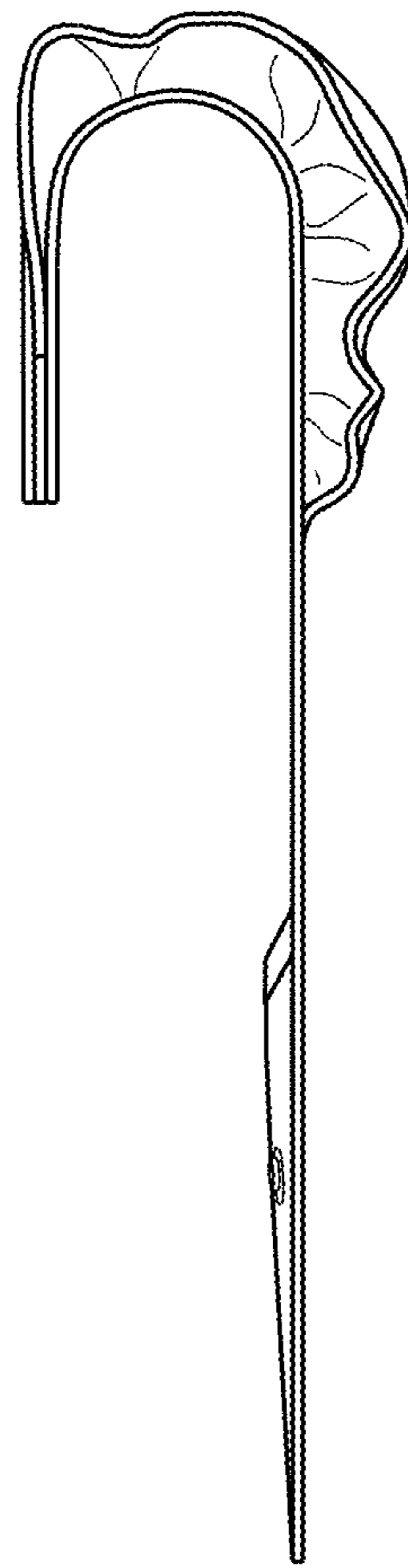


FIG. 14

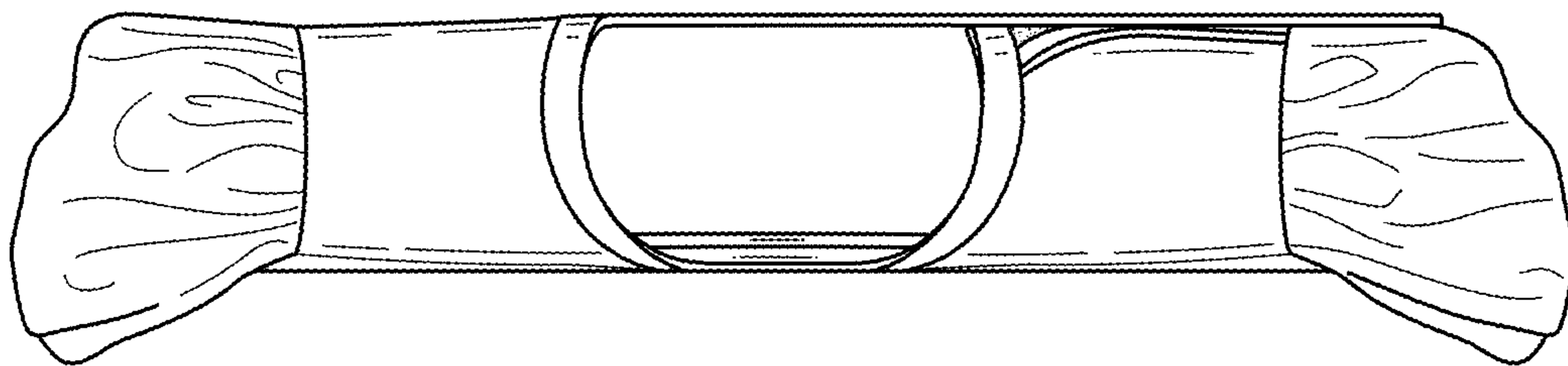


FIG. 15

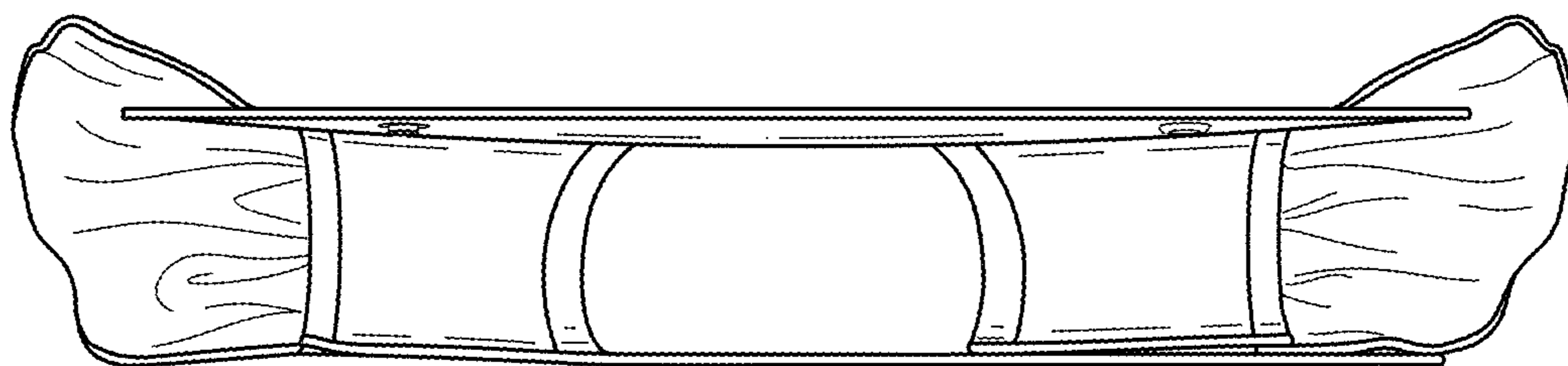


FIG. 16

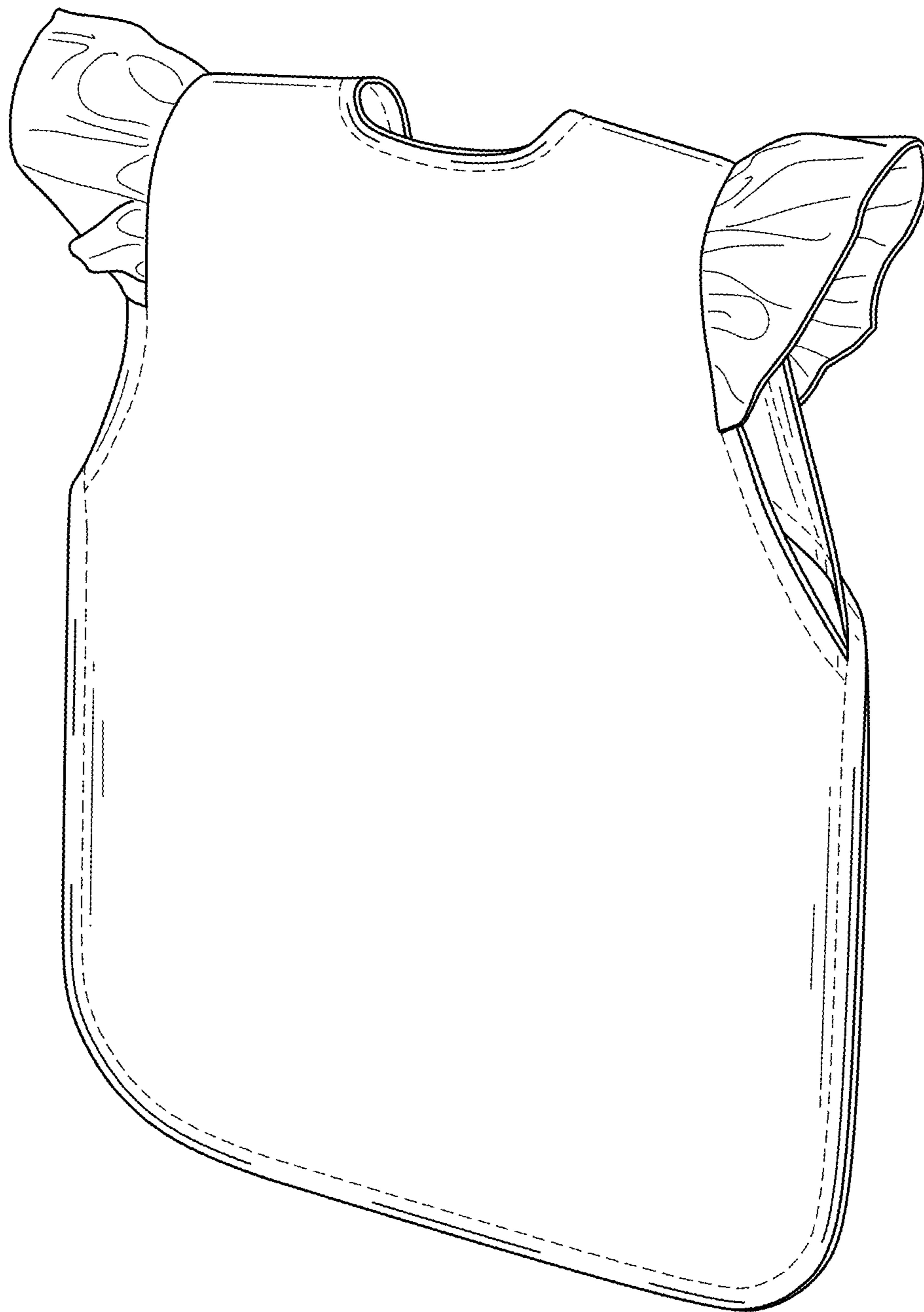


FIG. 17

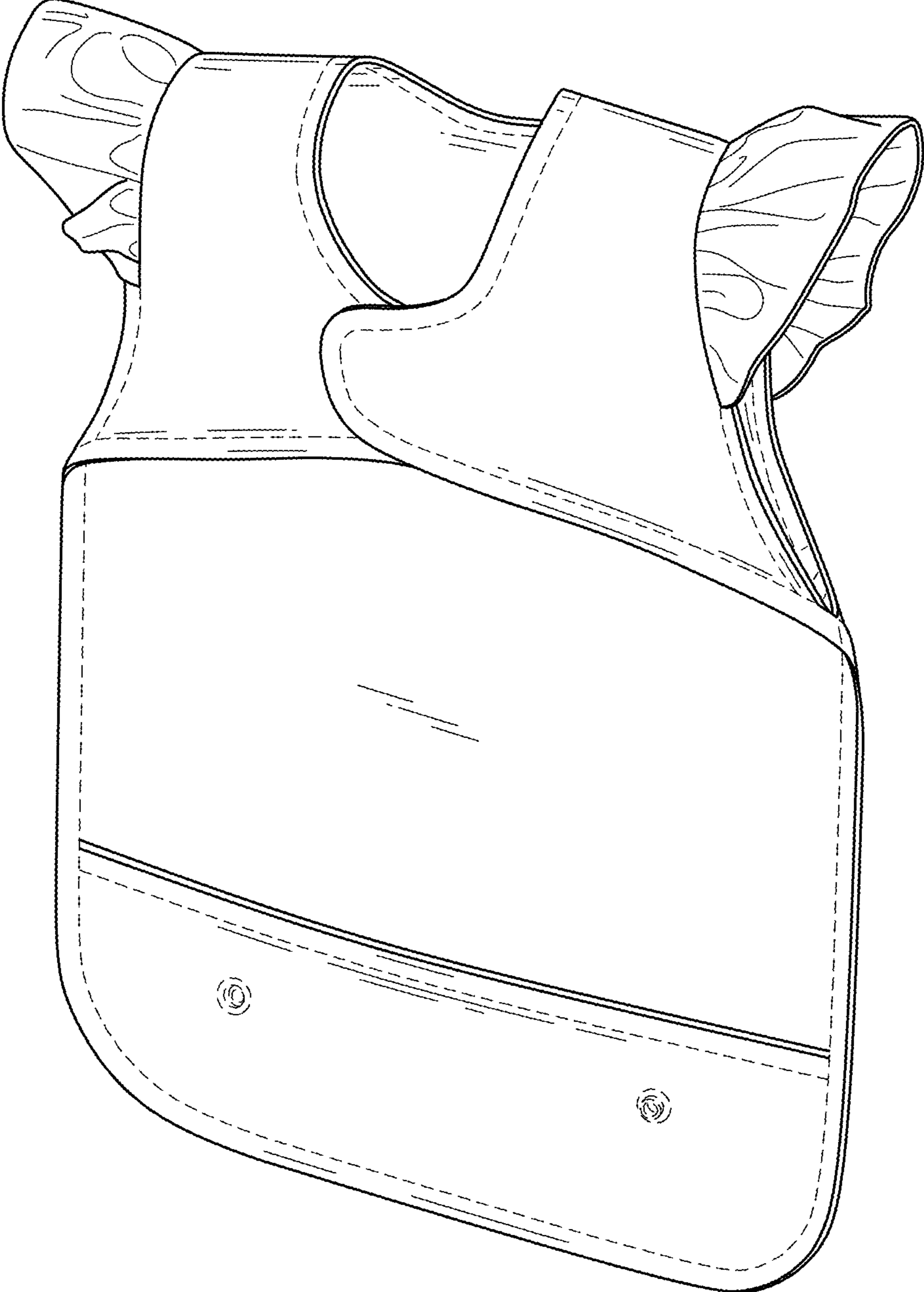


FIG. 18

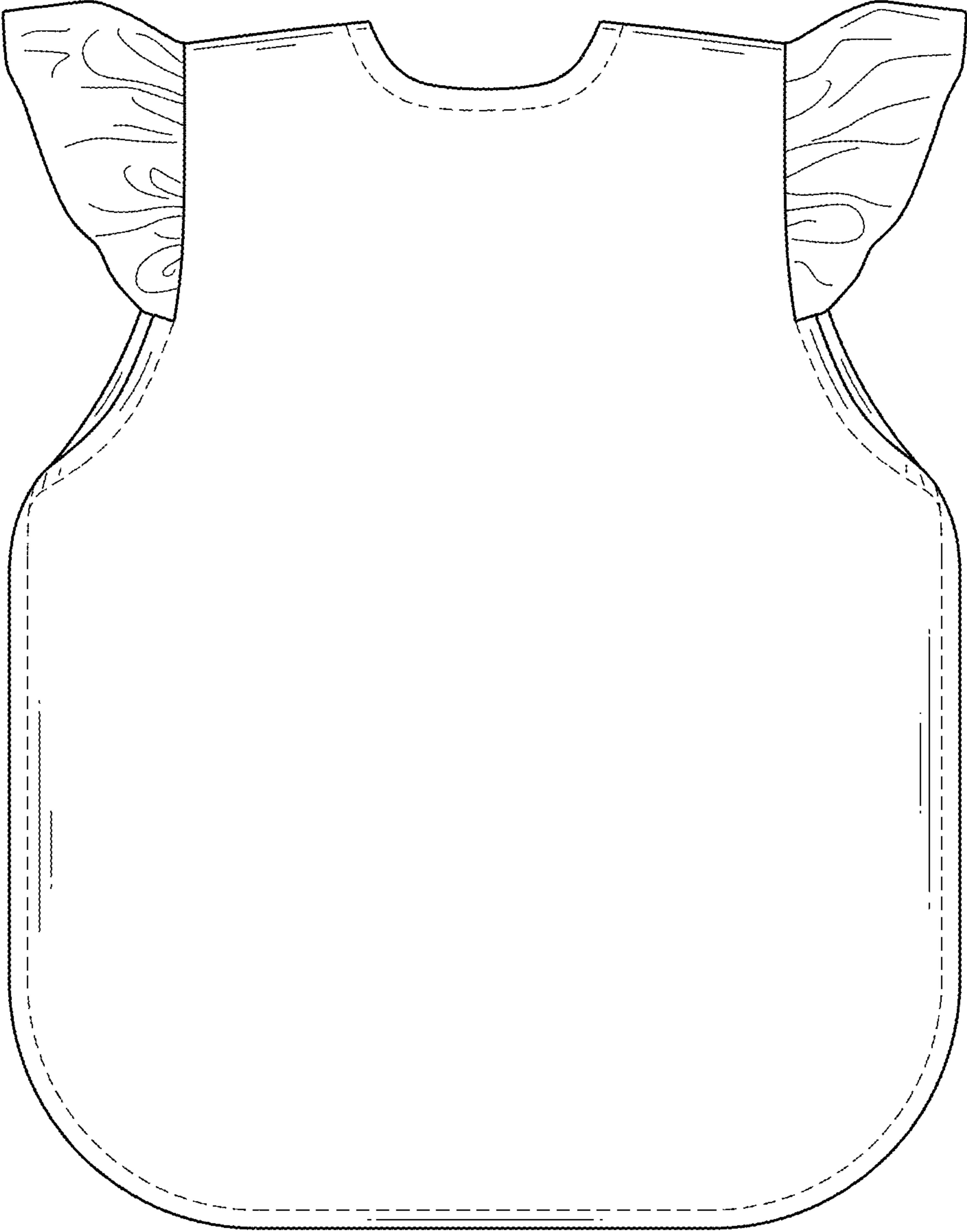


FIG. 19

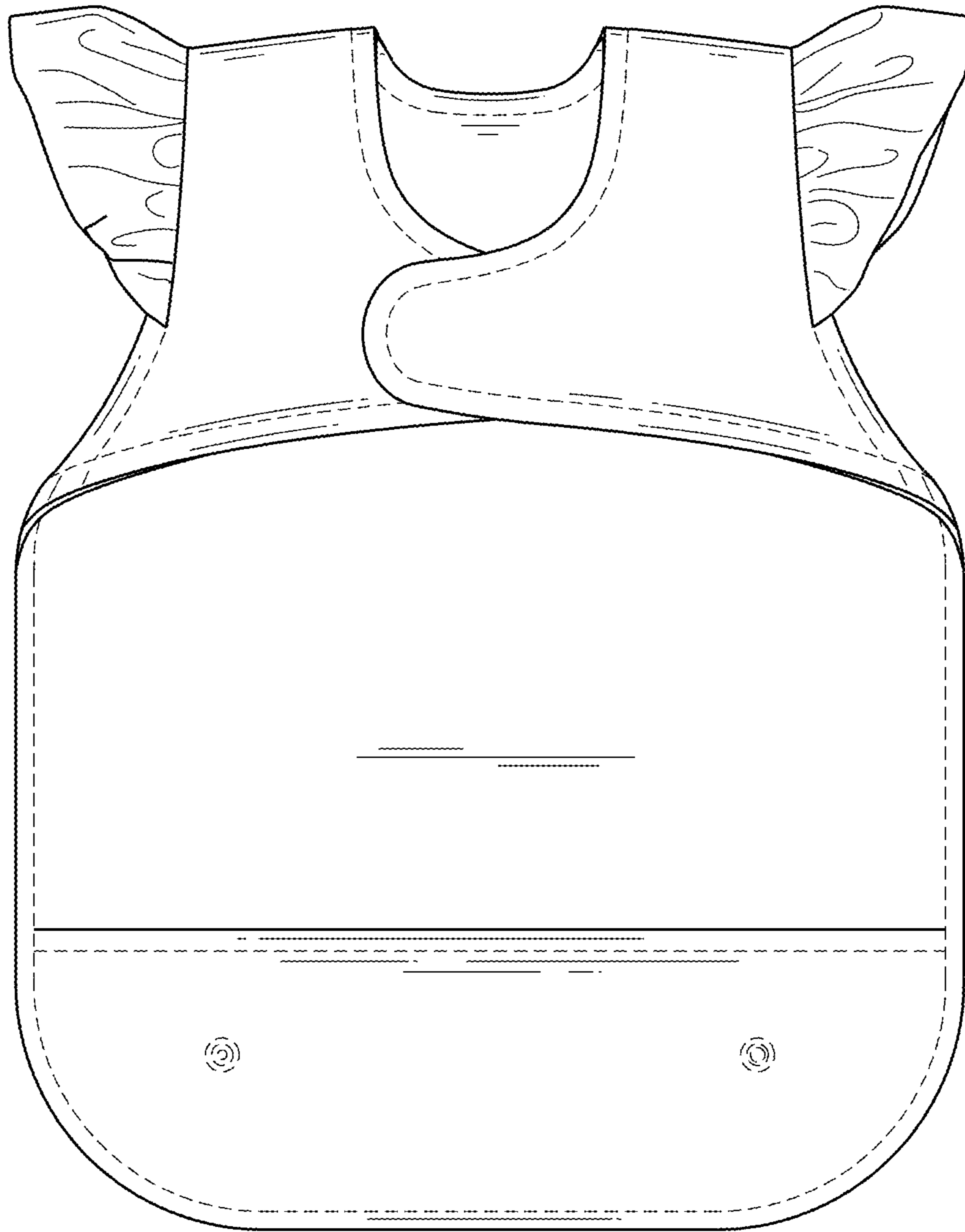


FIG. 20

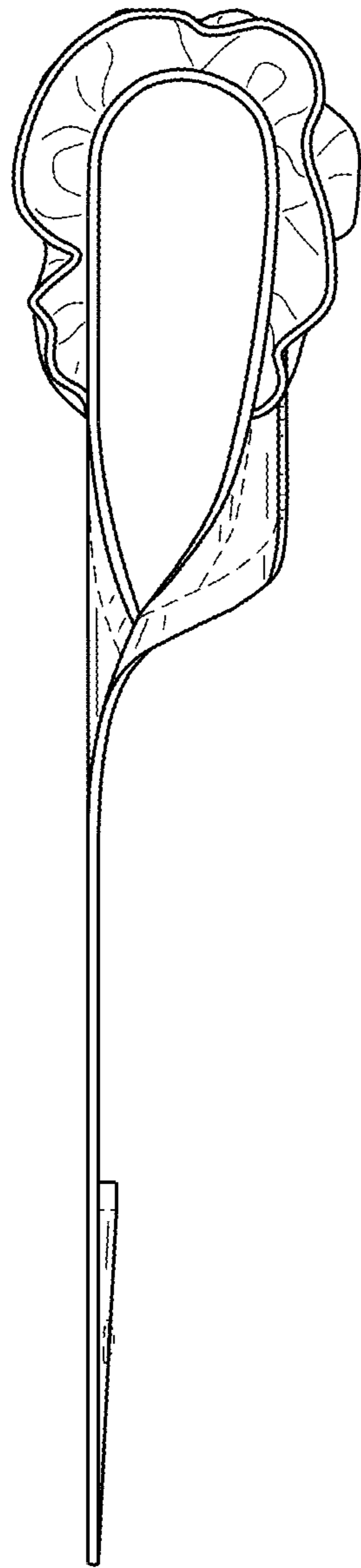


FIG. 21

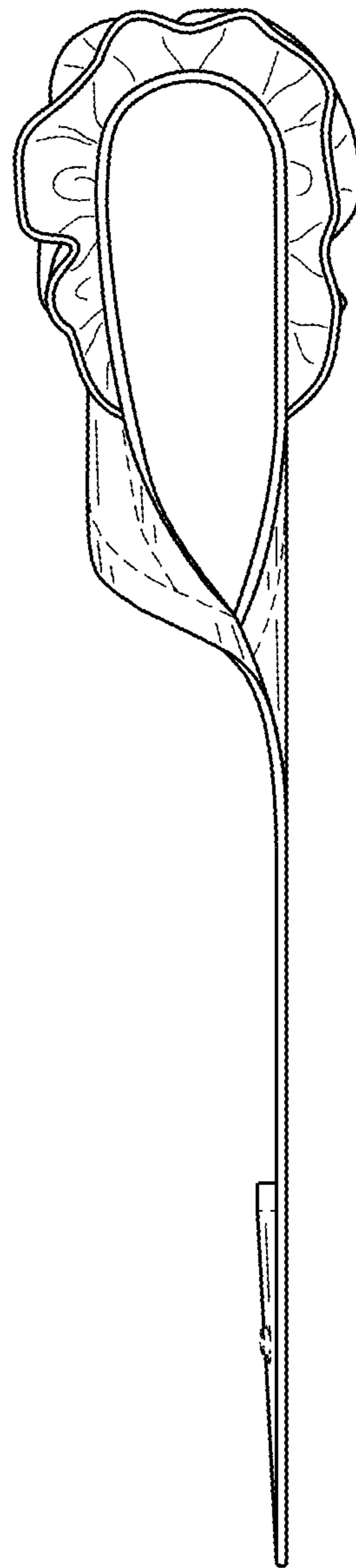


FIG. 22

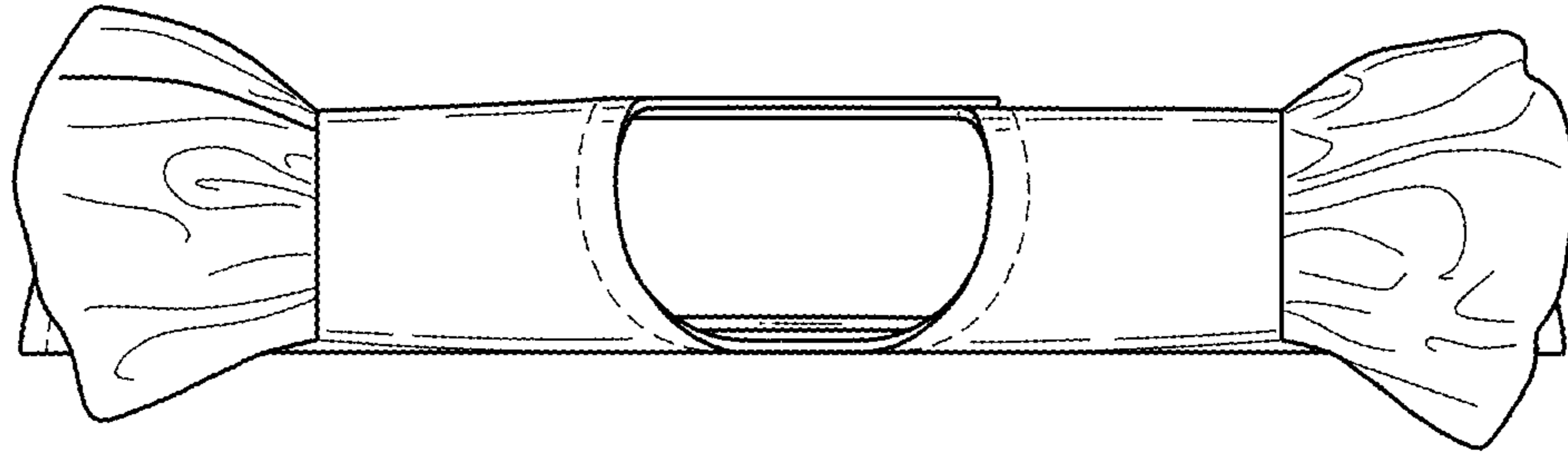


FIG. 23

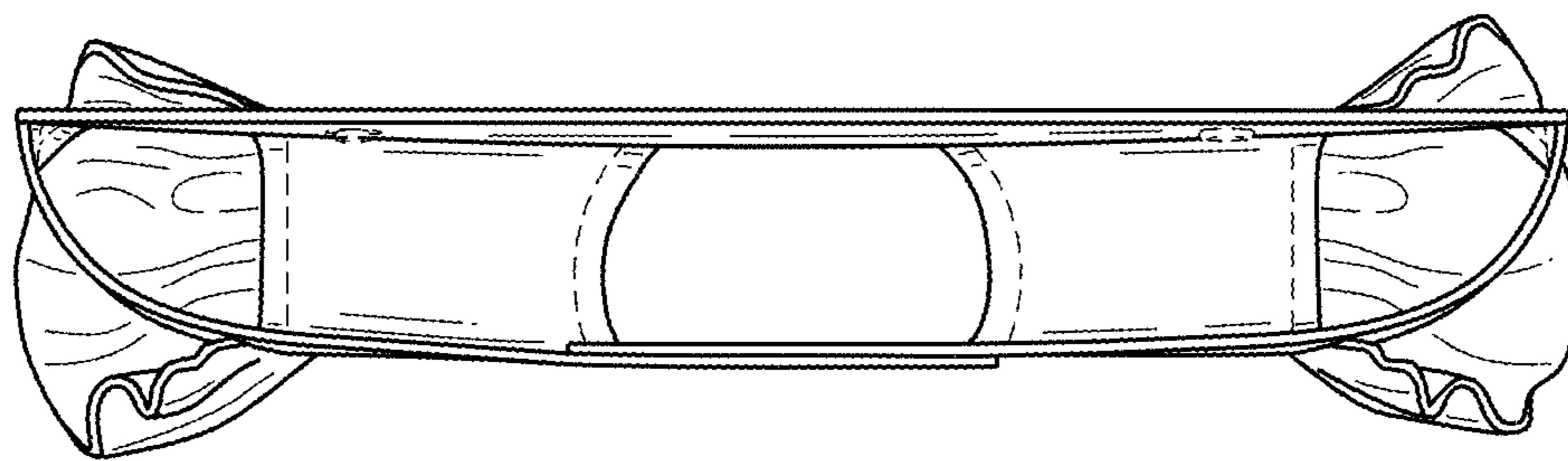


FIG. 24

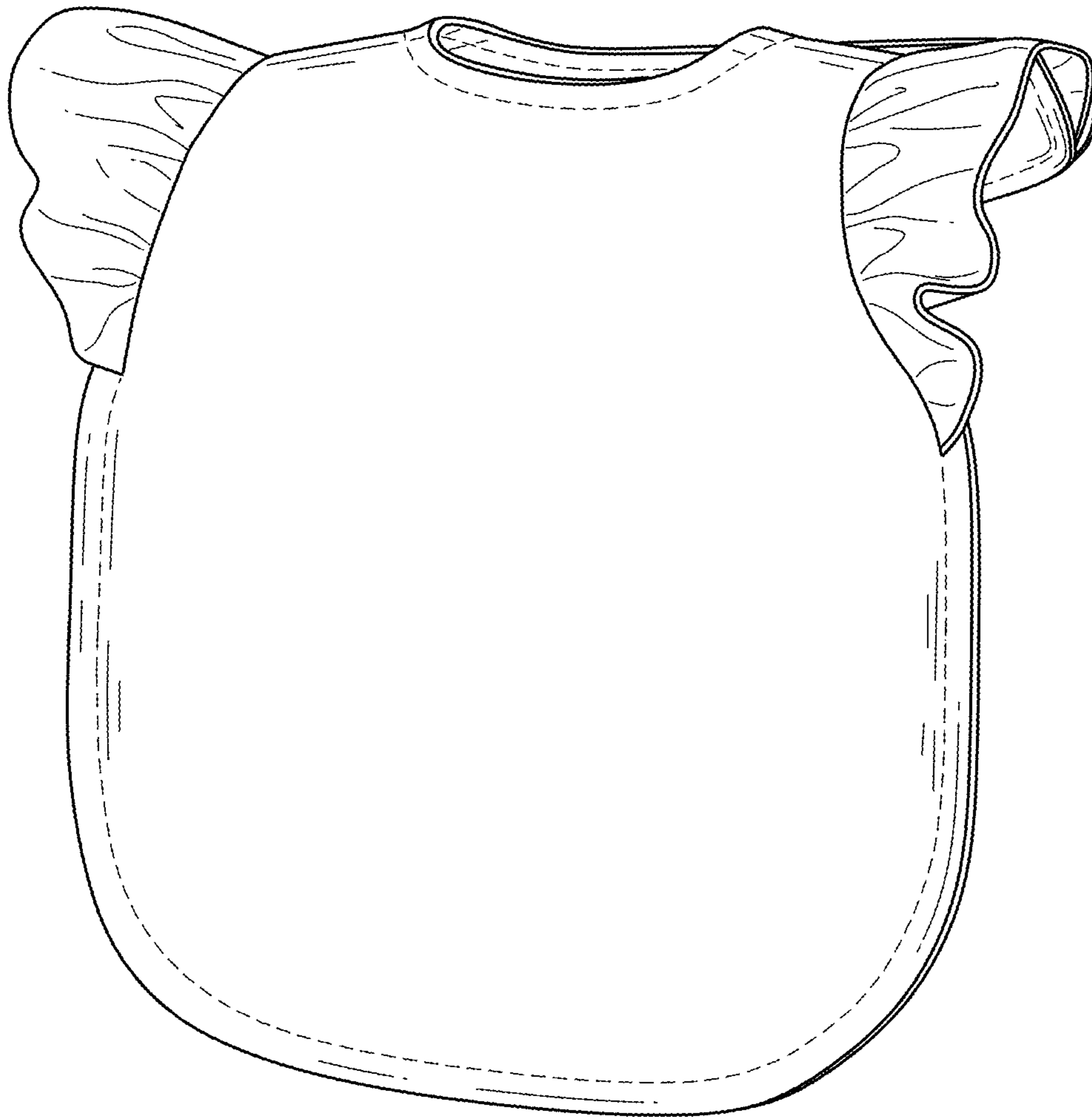


FIG. 25

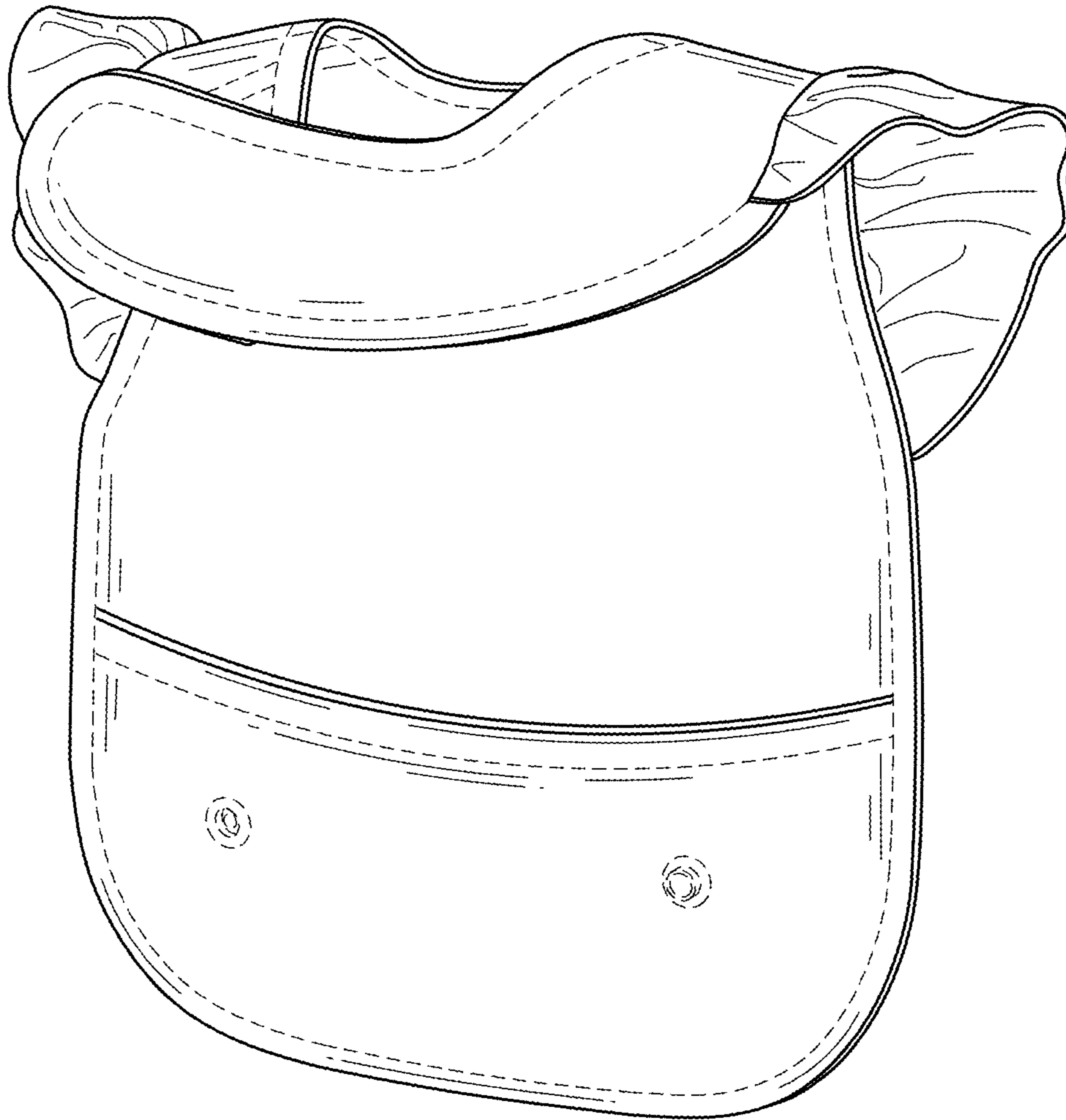


FIG. 26

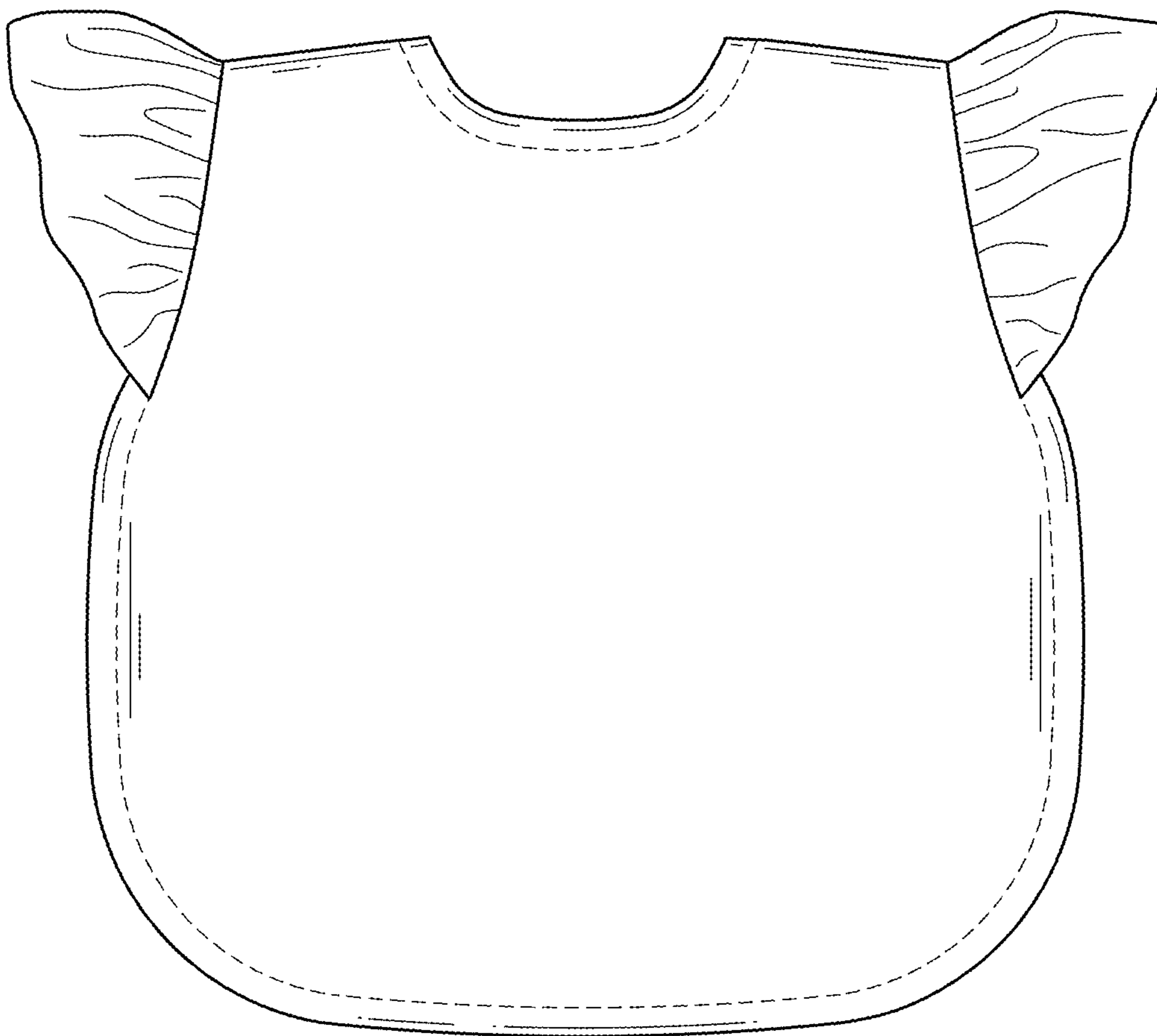


FIG. 27

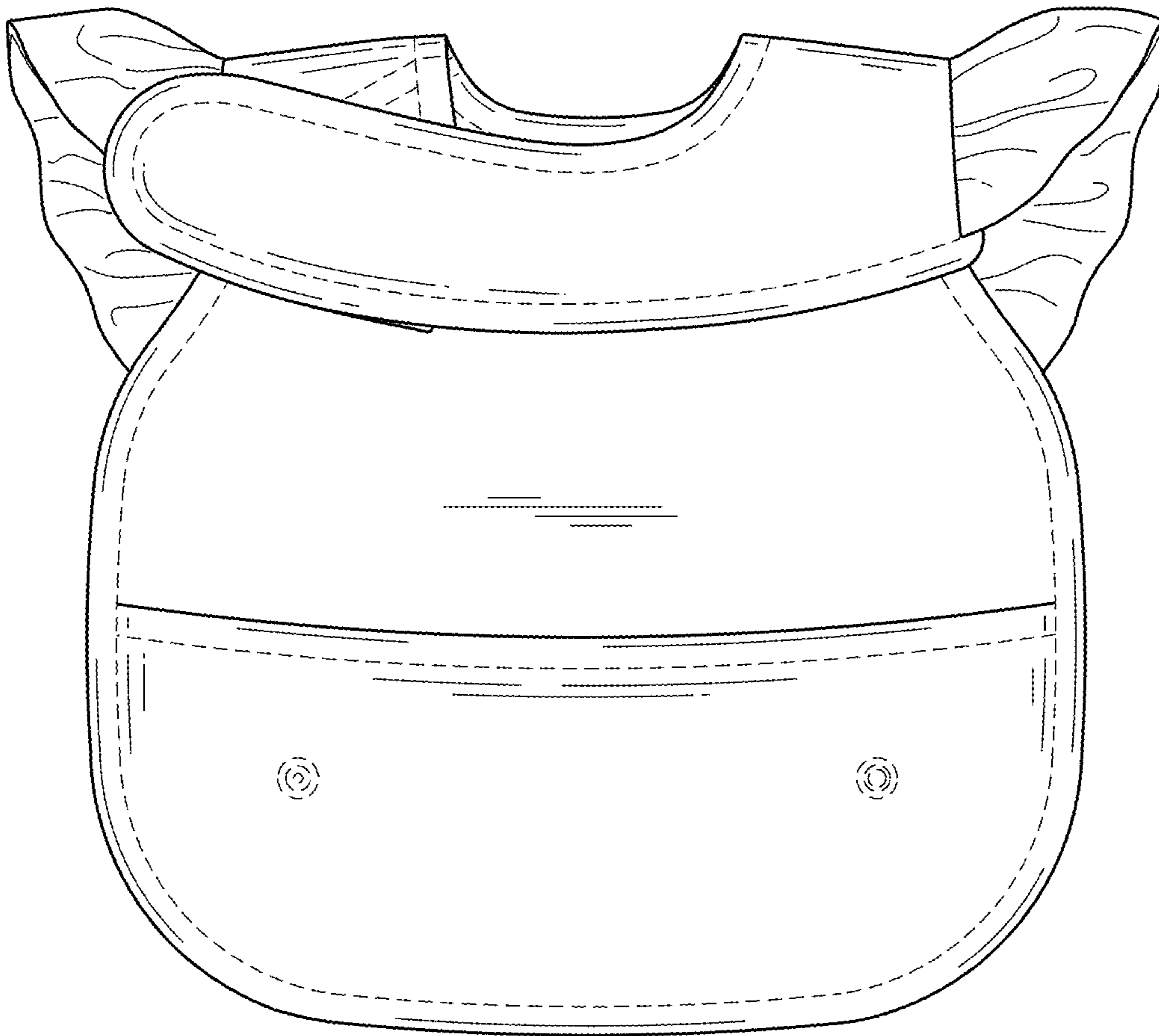


FIG. 28

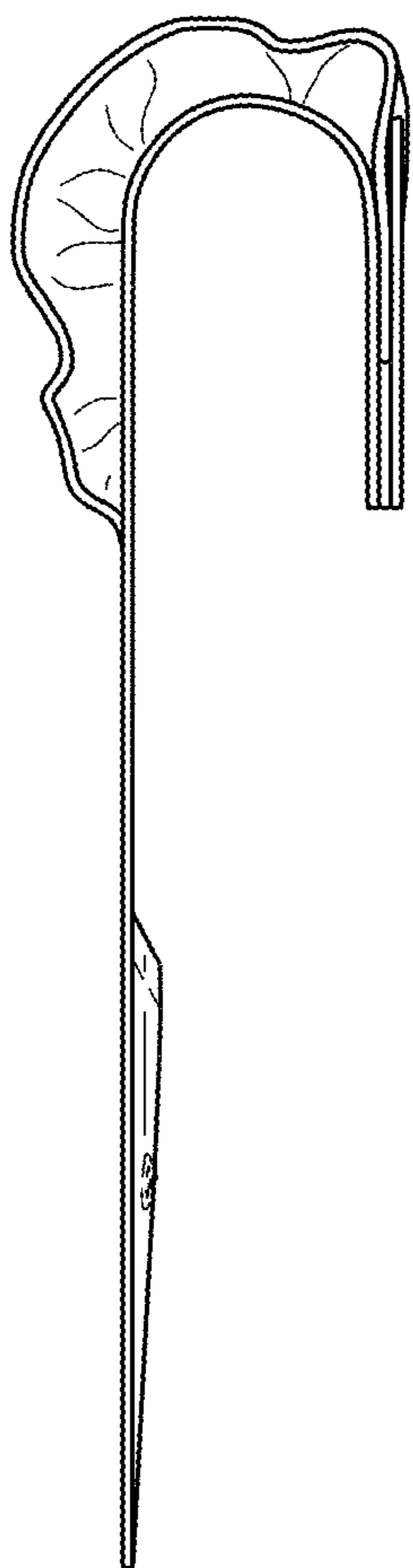


FIG. 29

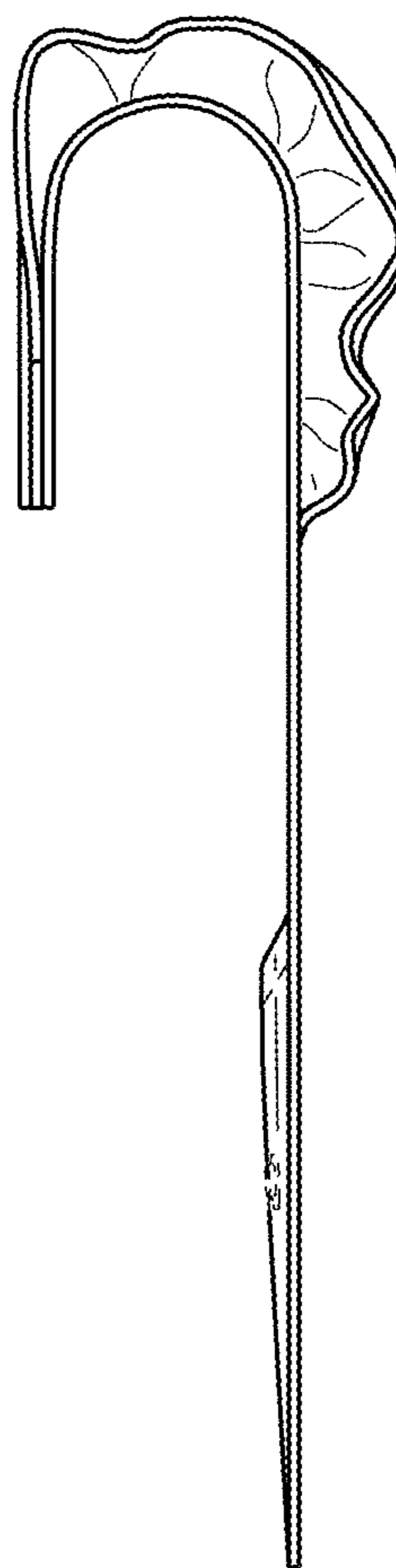


FIG. 30

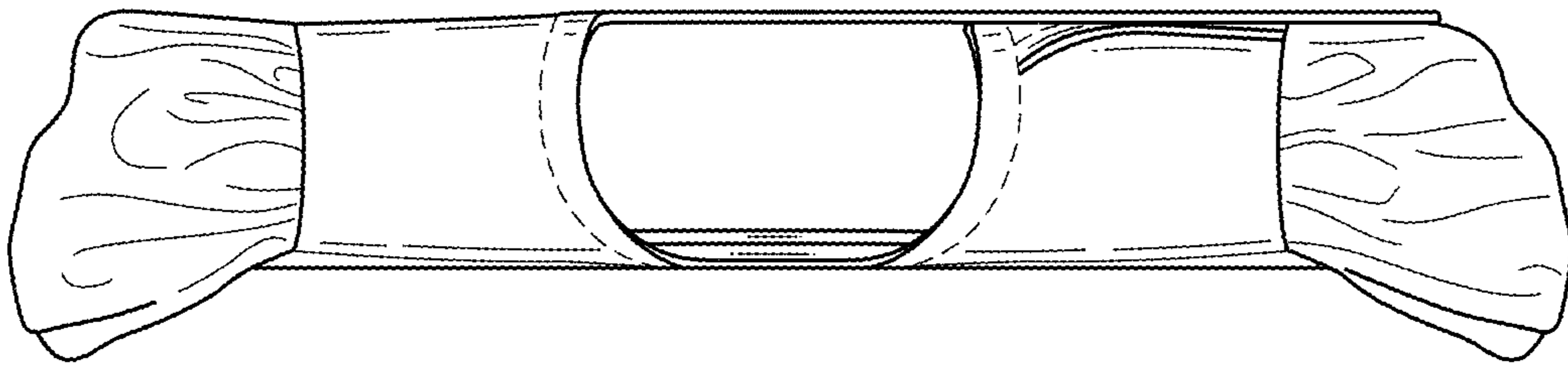


FIG. 31

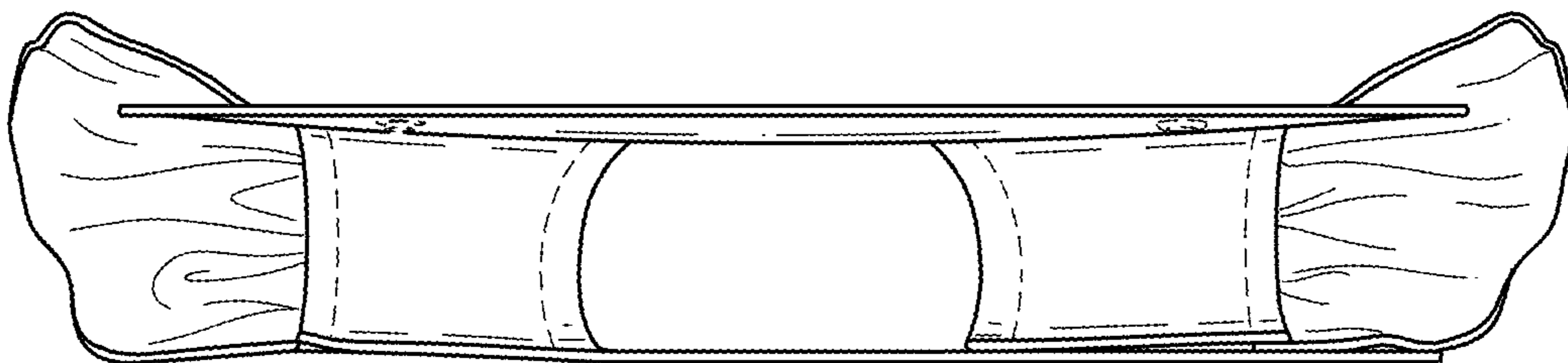


FIG. 32

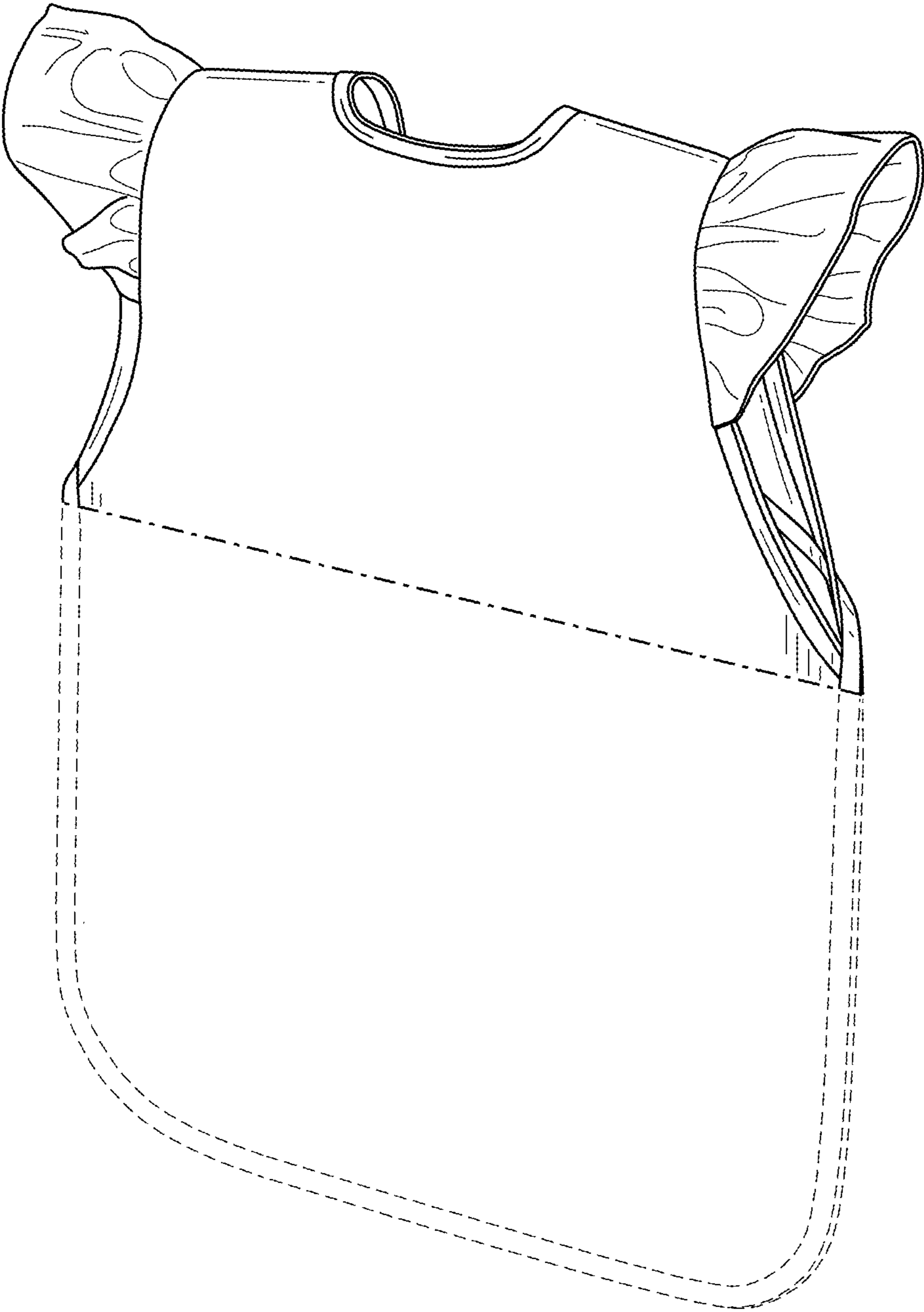


FIG. 33

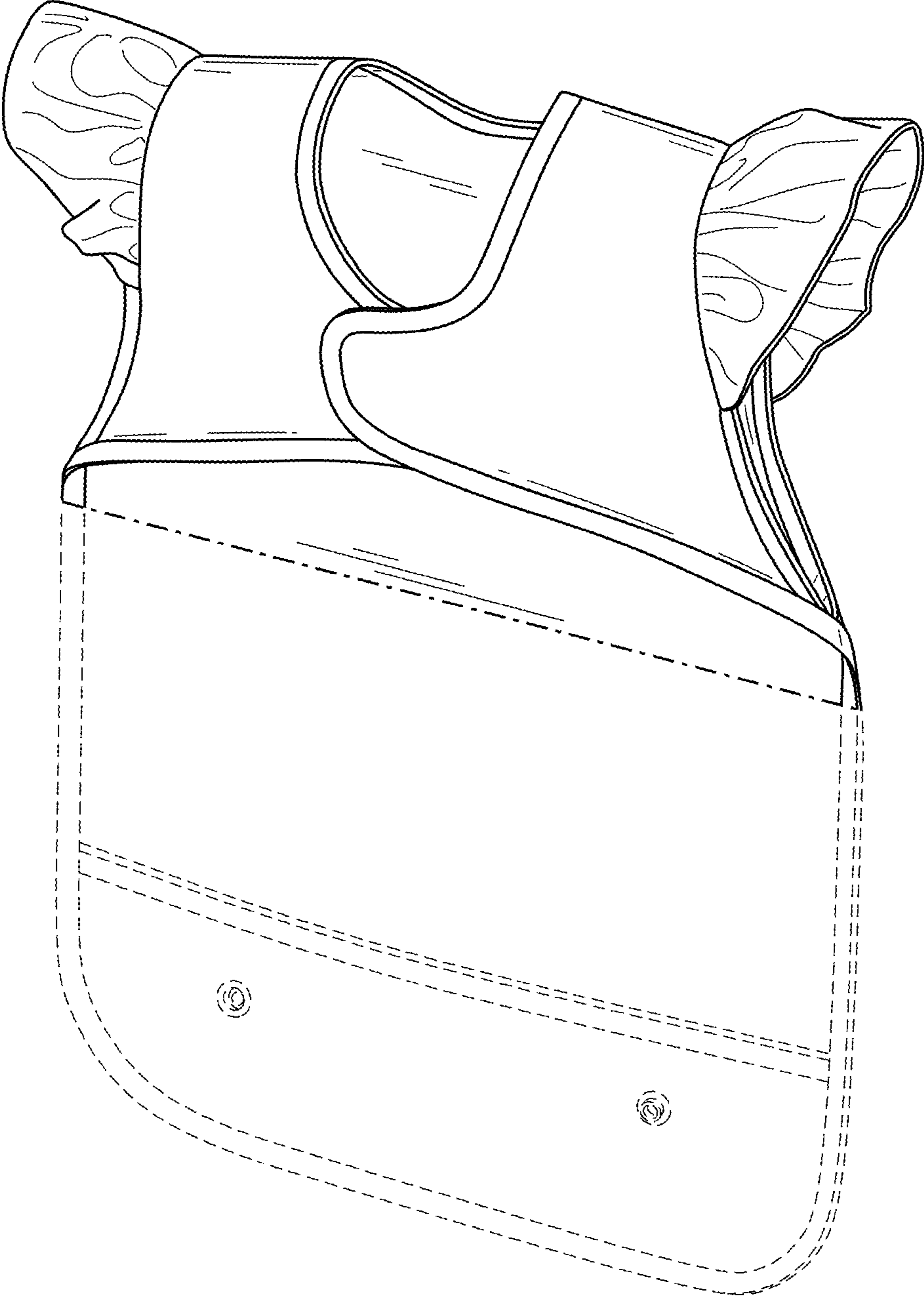


FIG. 34

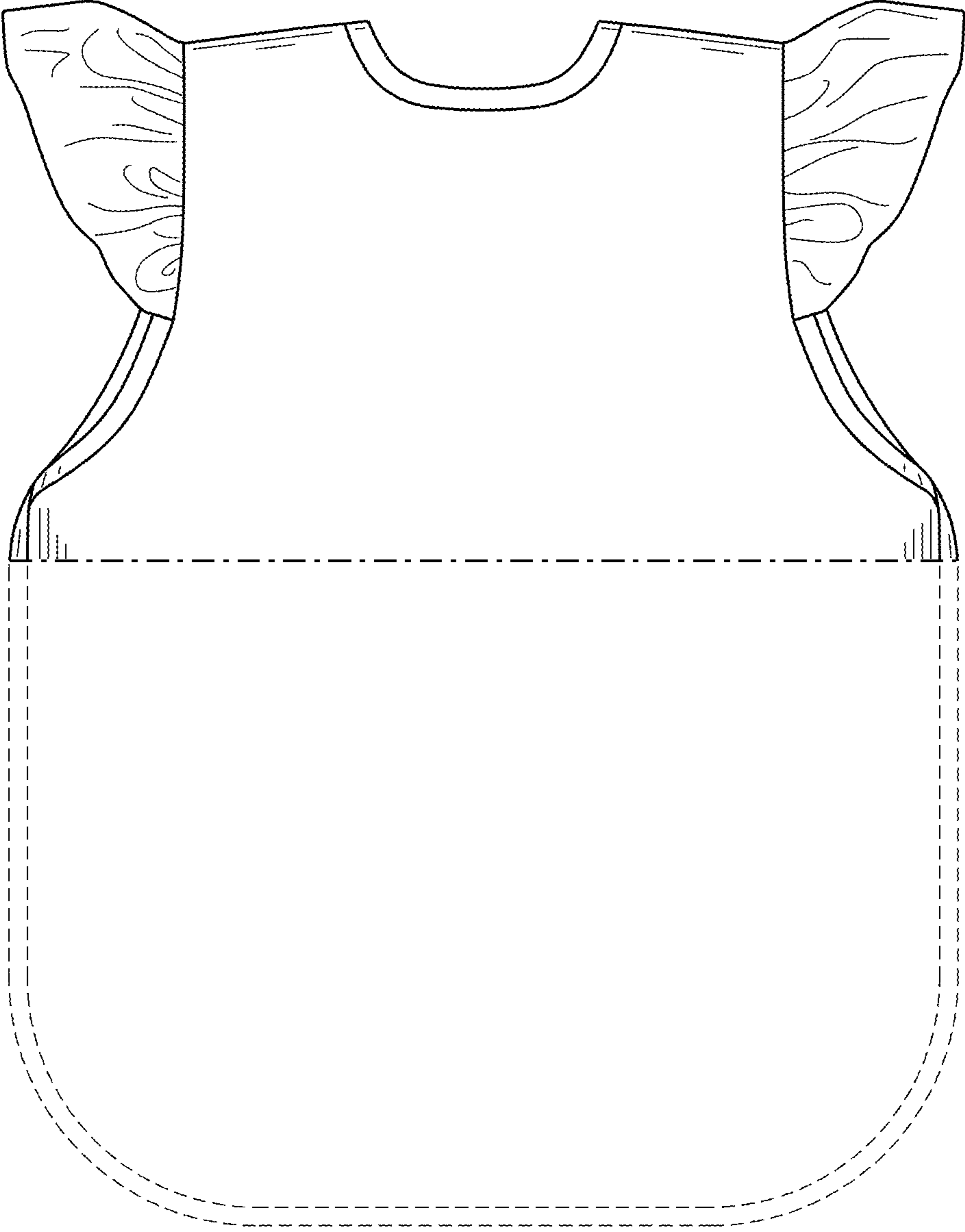


FIG. 35

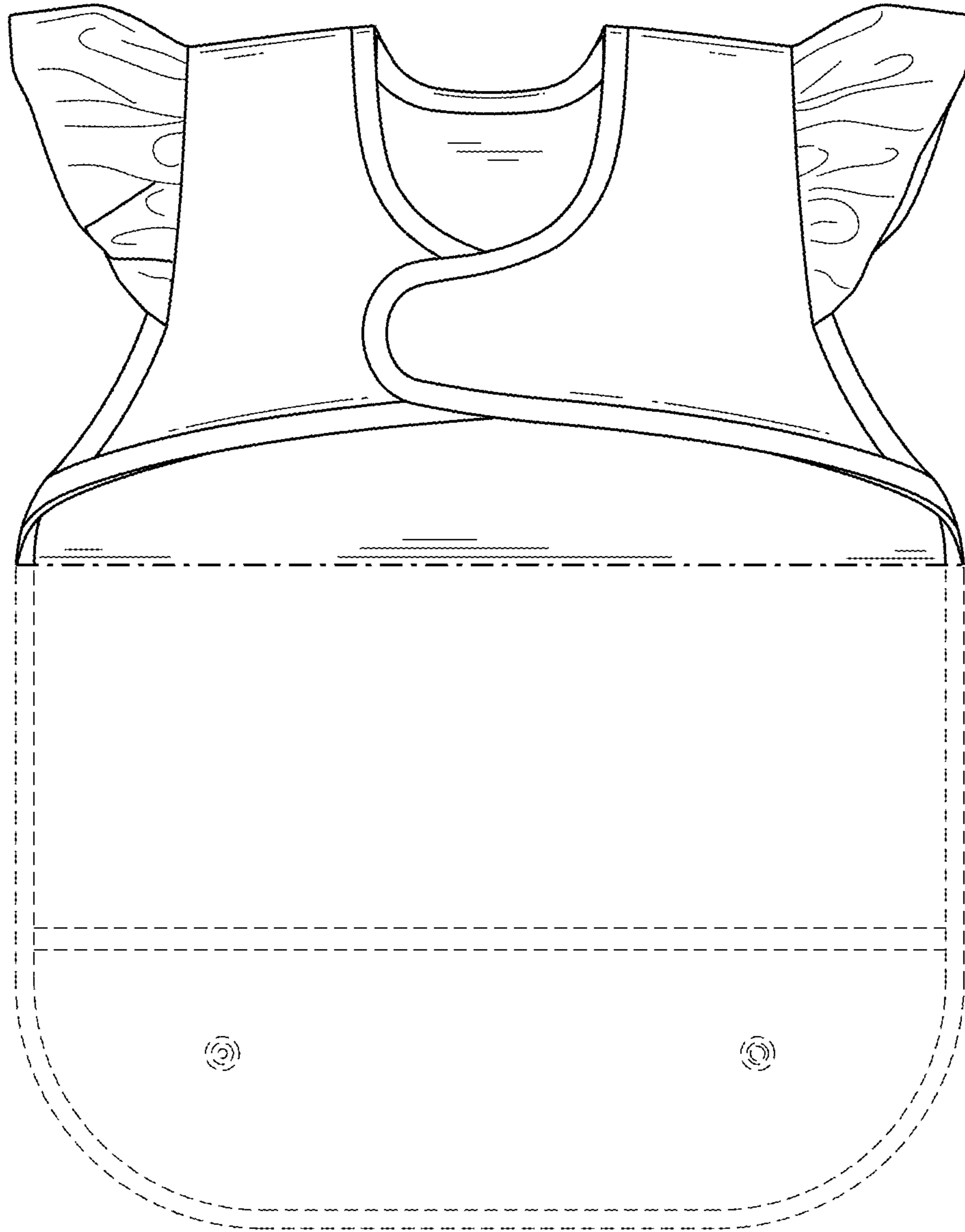


FIG. 36

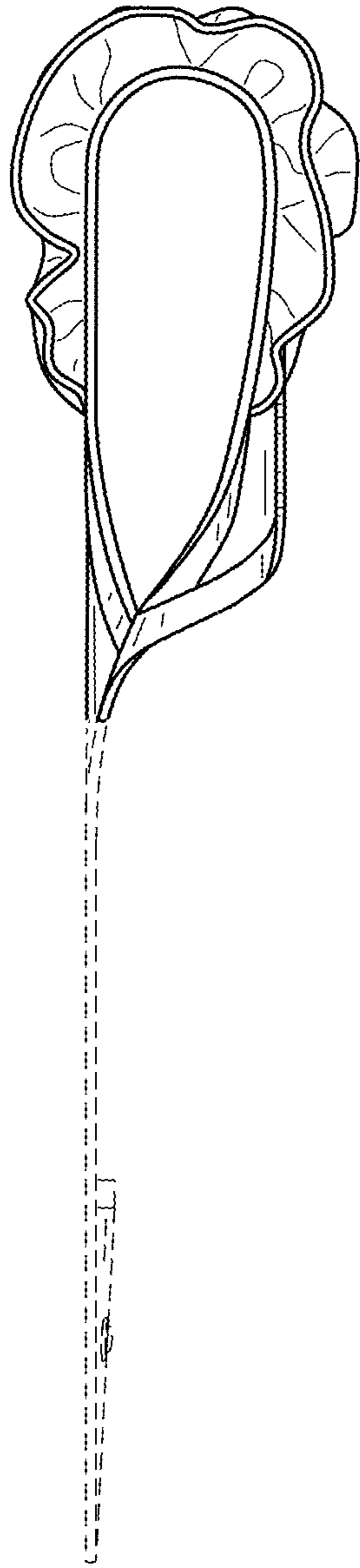


FIG. 37

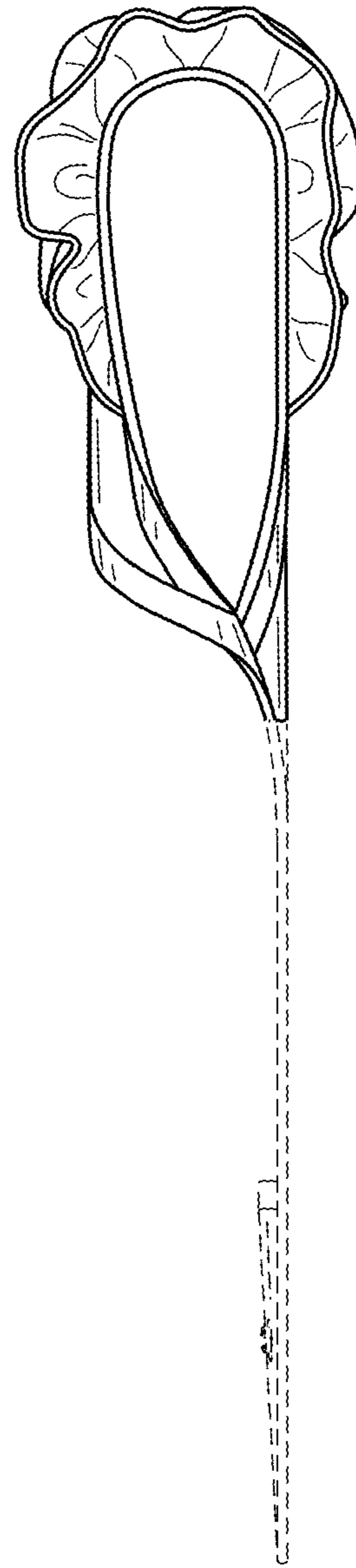


FIG. 38

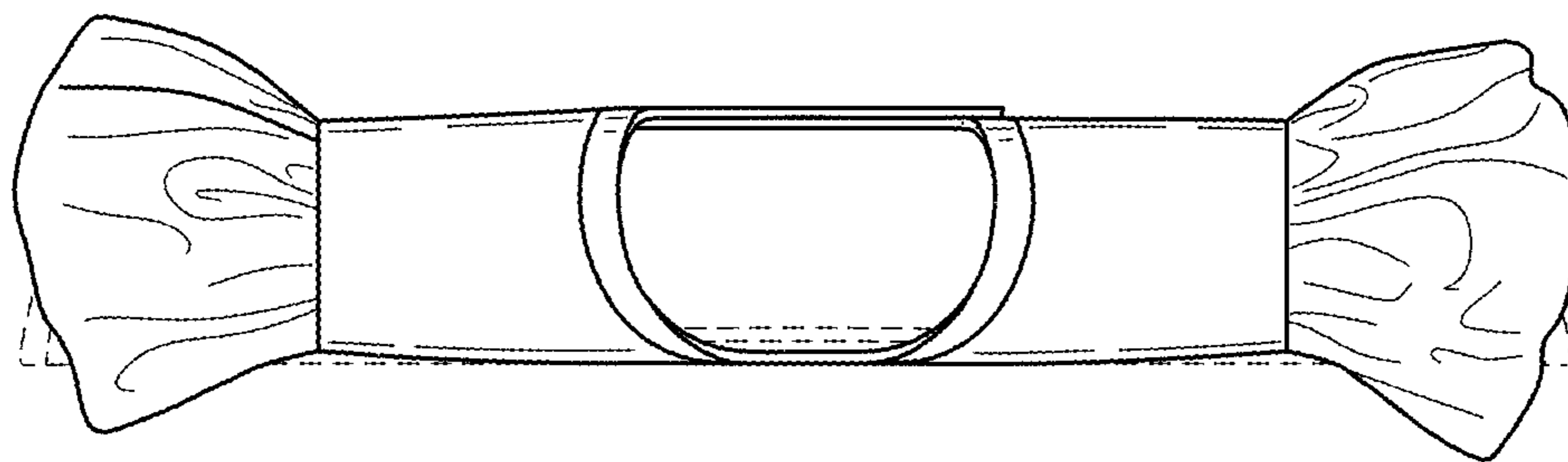


FIG. 39

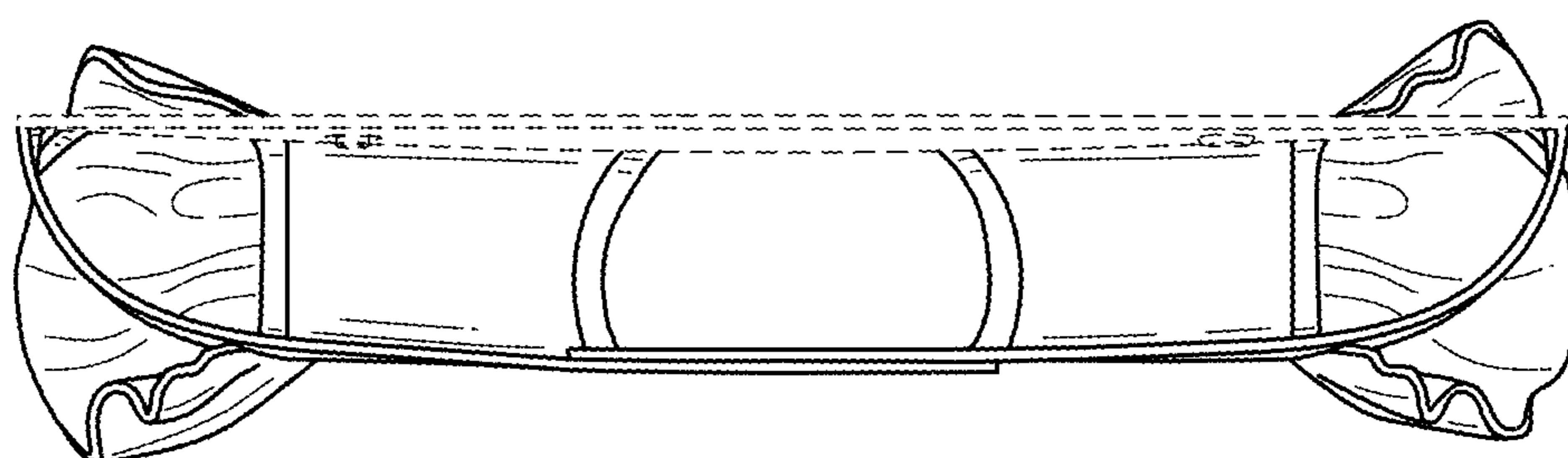


FIG. 40

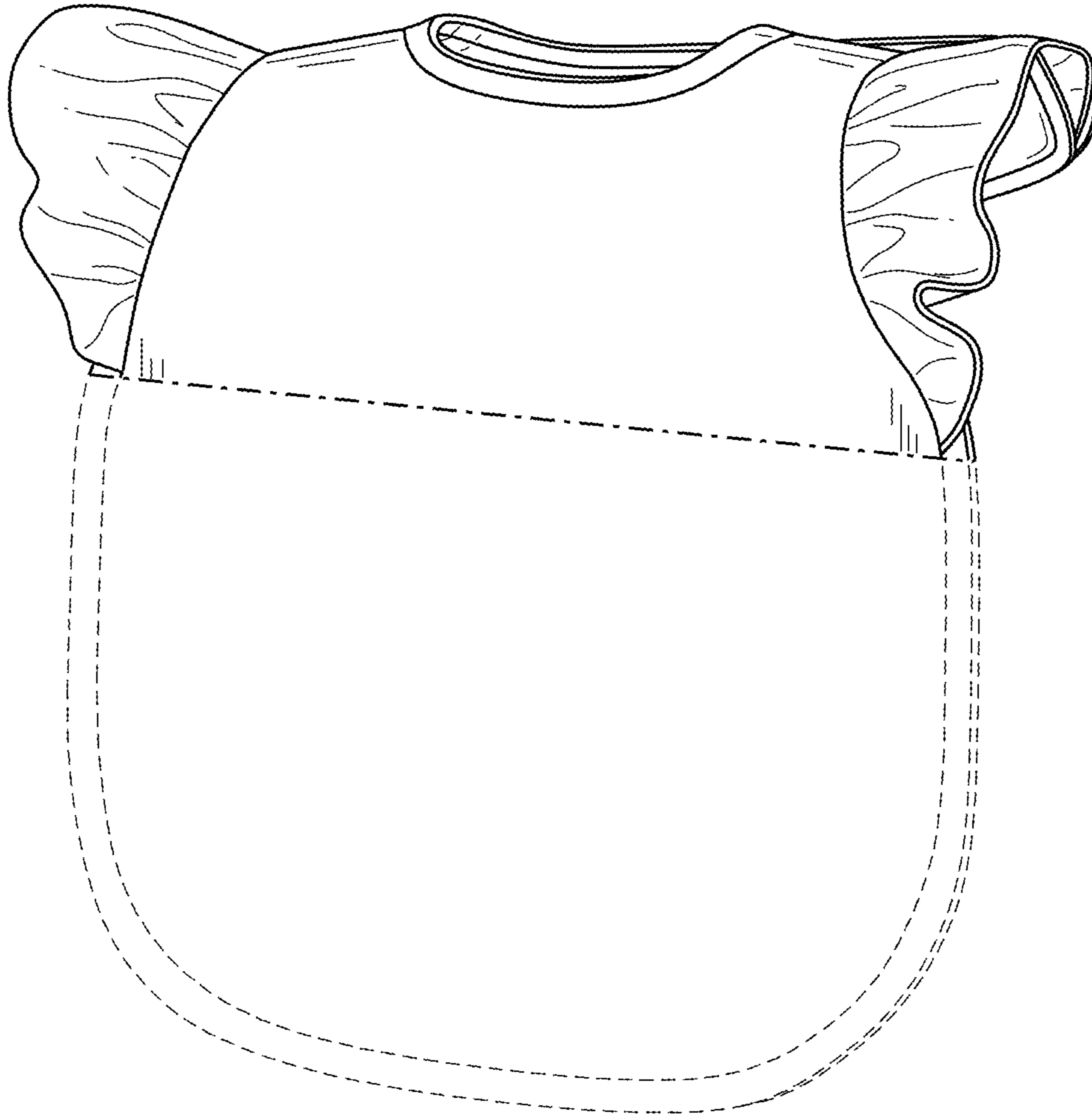


FIG. 41

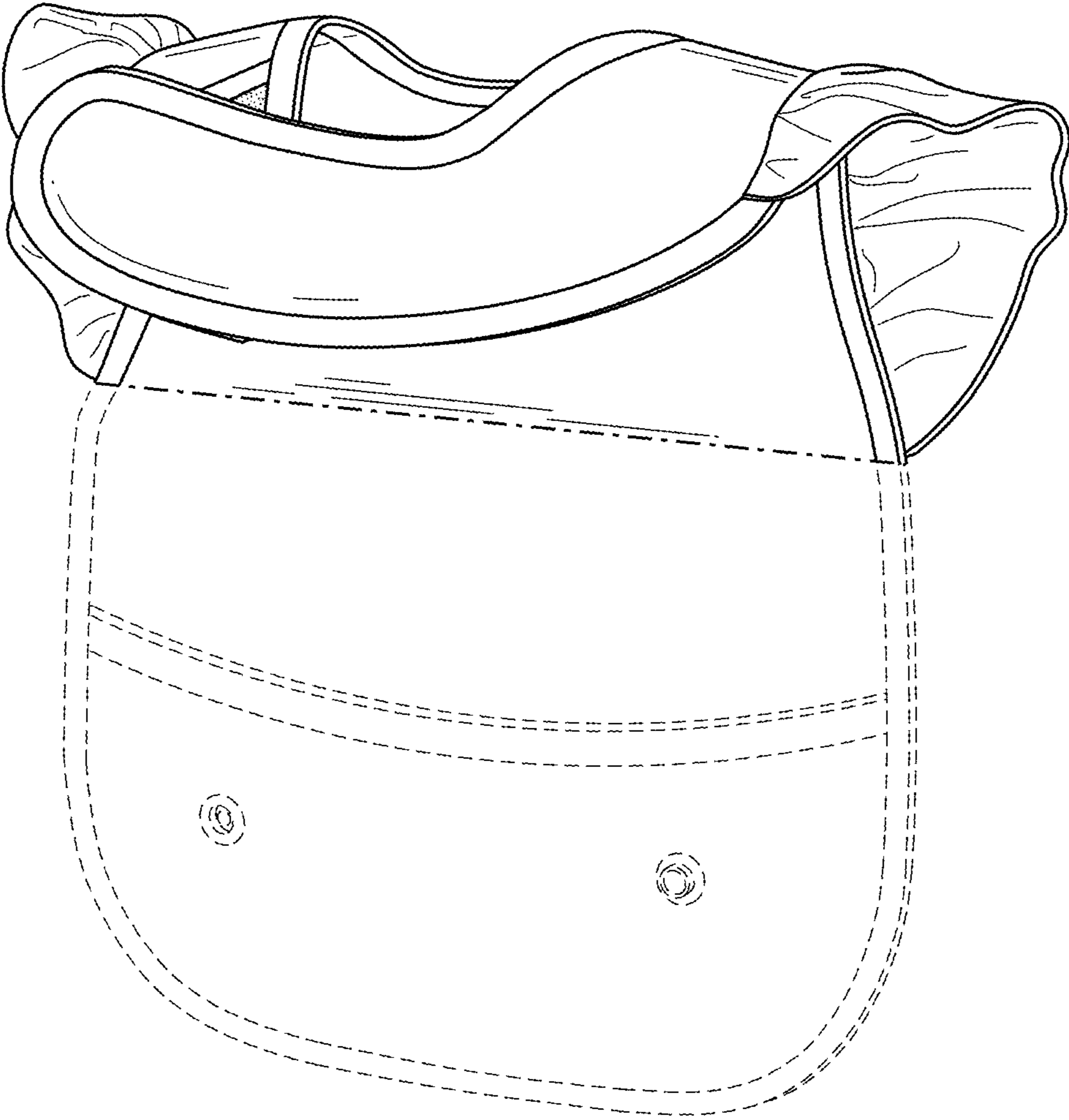


FIG. 42

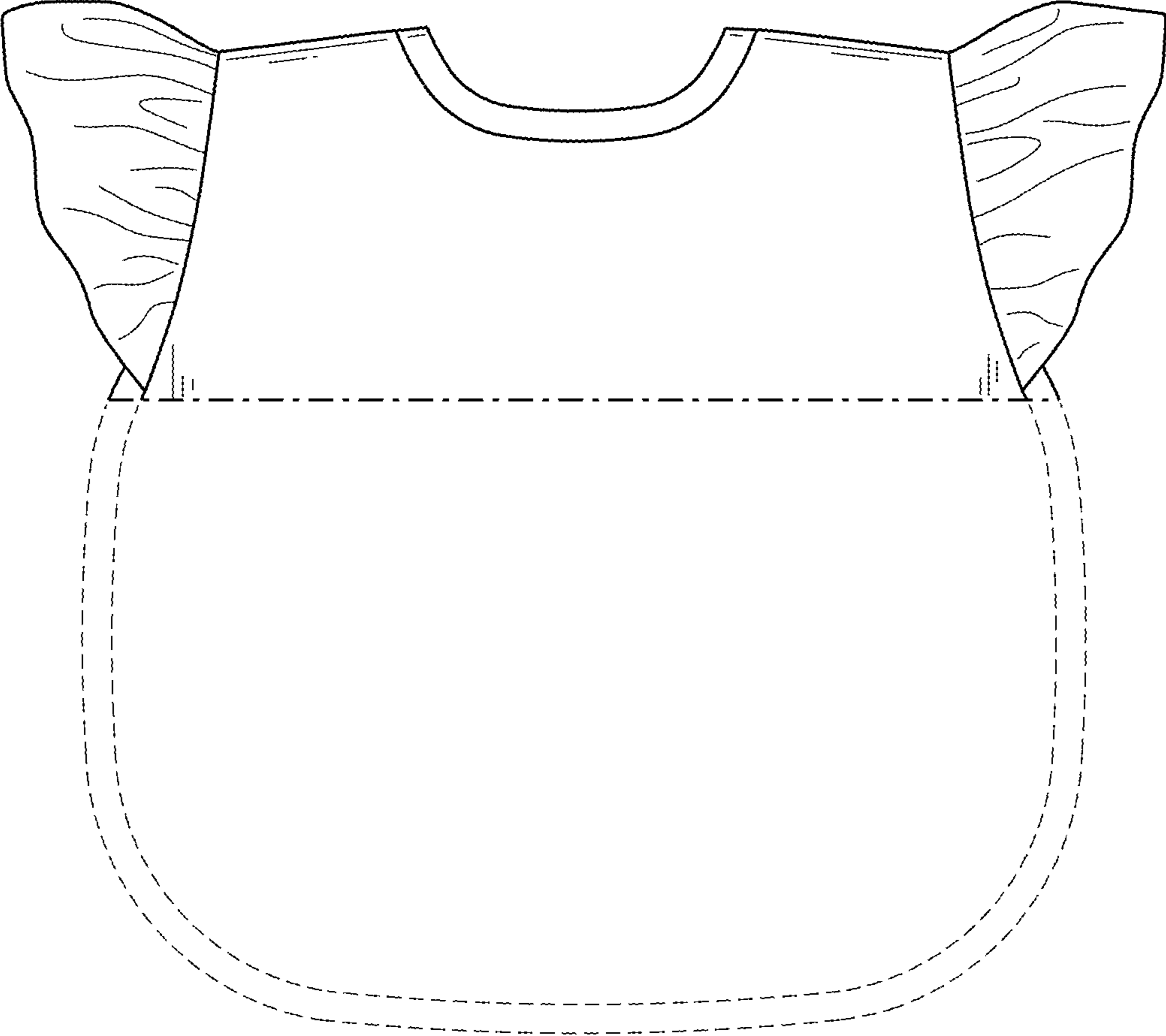


FIG. 43

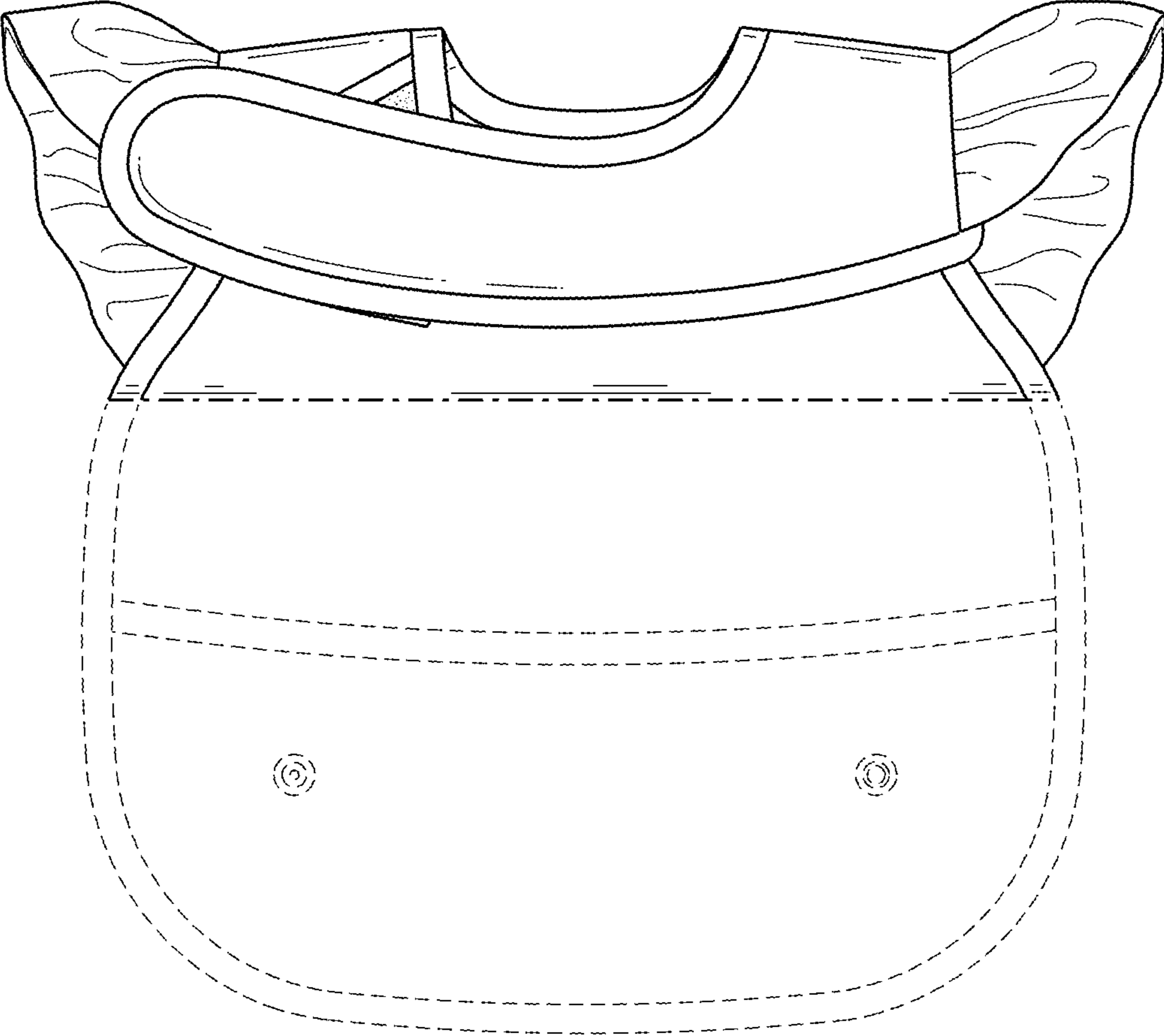


FIG. 44

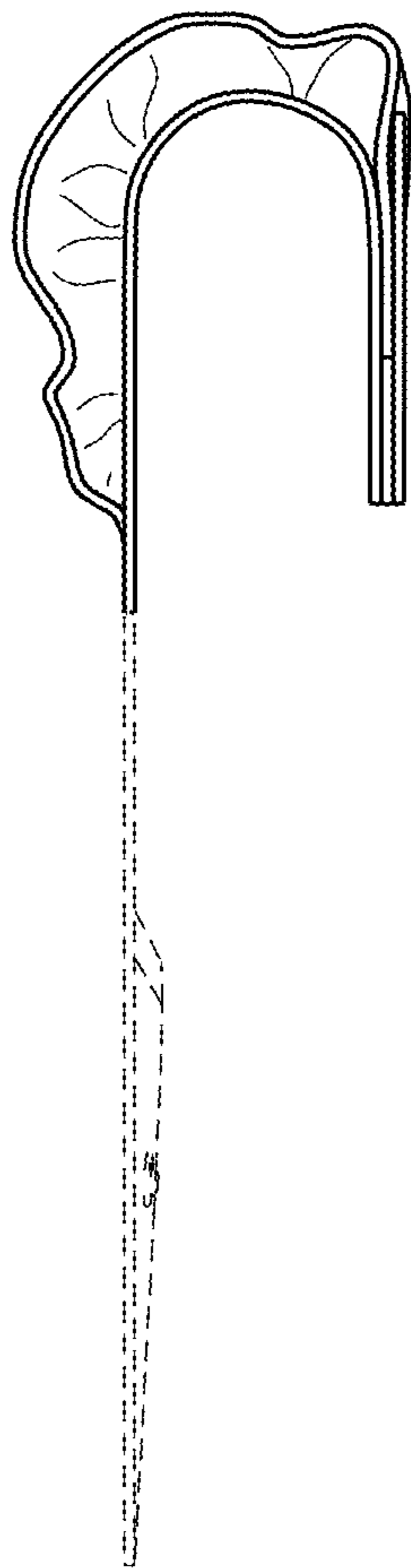


FIG. 45

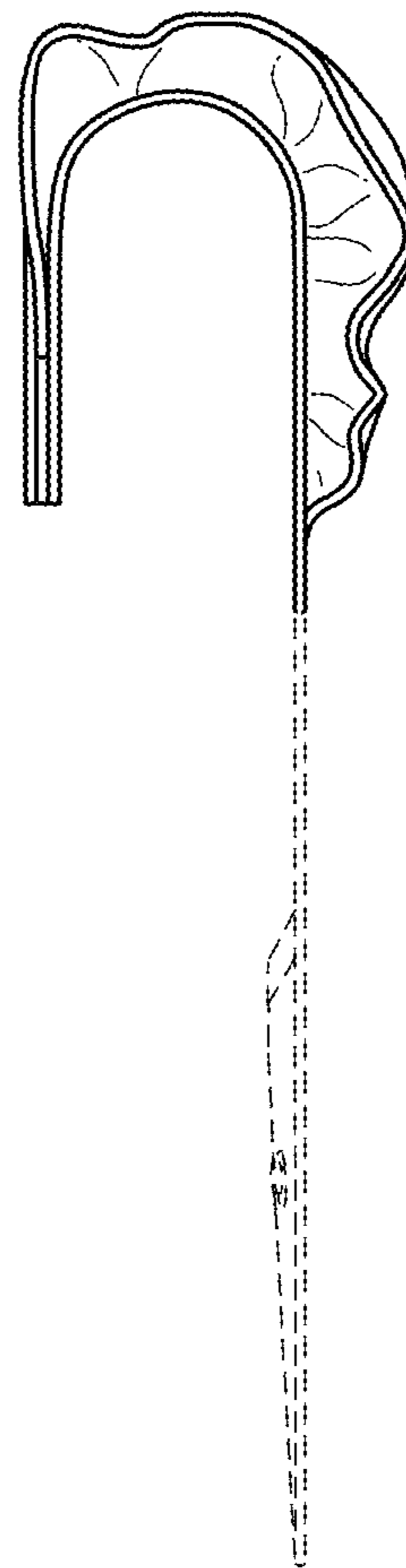


FIG. 46

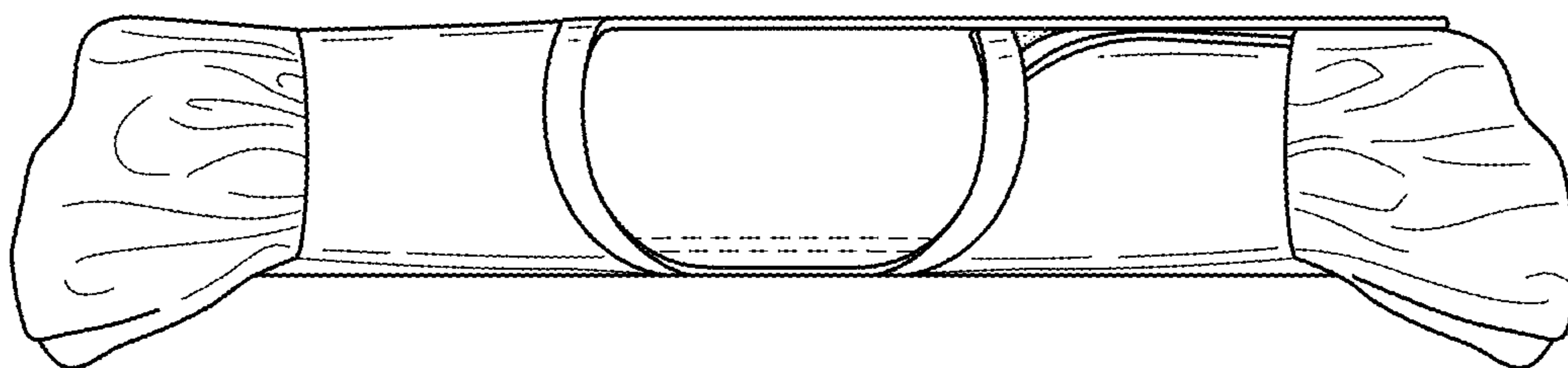


FIG. 47

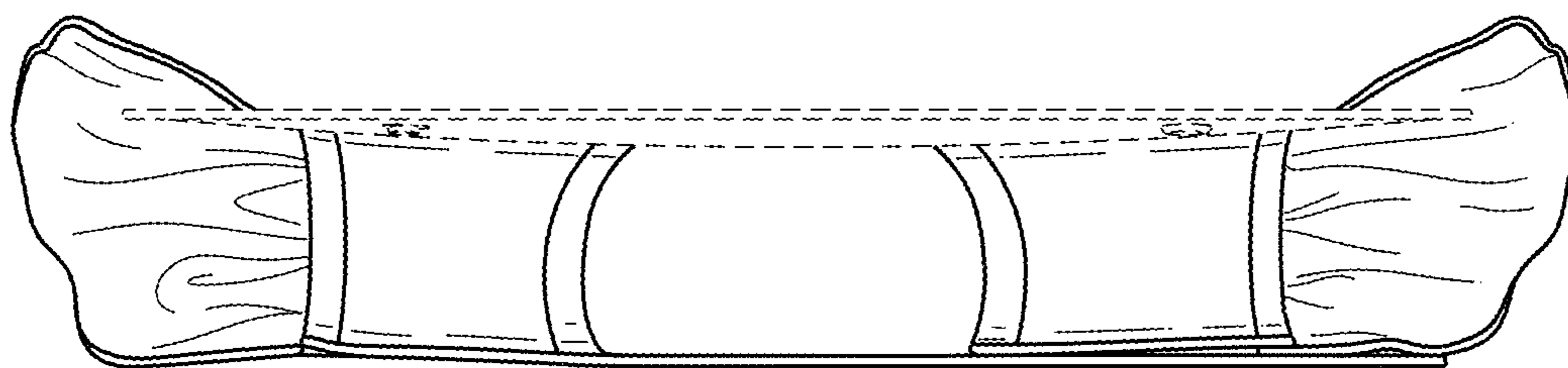


FIG. 48