



US00D923916S

(12) **United States Design Patent** (10) **Patent No.:** **US D923,916 S**  
**Warren, Jr. et al.** (45) **Date of Patent:** **\*\* Jul. 6, 2021**

(54) **KNEE PROTECTOR GARMENT**  
(71) Applicants: **Woodrow Wilson Warren, Jr.**,  
Mineola, TX (US); **Kimberly M. Warren**, Mineola, TX (US)  
(72) Inventors: **Woodrow Wilson Warren, Jr.**,  
Mineola, TX (US); **Kimberly M. Warren**, Mineola, TX (US)

5,038,408 A 8/1991 DeBaene  
D321,969 S 12/1991 Upthegrove, Jr. et al.  
5,105,473 A \* 4/1992 Valtakari ..... A41D 13/015  
2/22  
D344,620 S \* 3/1994 Lavell ..... D2/742  
(Continued)

**FOREIGN PATENT DOCUMENTS**

CN 201718500 \* 1/2011

(\*\*) Term: **15 Years**

**OTHER PUBLICATIONS**

(21) Appl. No.: **29/765,509**  
(22) Filed: **Jan. 8, 2021**  
(51) **LOC (13) Cl.** ..... **02-02**  
(52) **U.S. Cl.**  
USPC ..... **D2/743**  
(58) **Field of Classification Search**  
USPC ..... D2/743, 860, 739, 742, 747  
CPC ..... A41D 13/00; A41D 13/06  
See application file for complete search history.

Less Posing, More Pruning: Stylish Gardening Clothes Arrive by Max Berlinger, posted to nytimes.com. Available date: Oct. 21, 2020 [site visited Mar. 22, 2021] Available: <https://www.nytimes.com/2020/10/21/style/less-posing-more-pruning-stylish-gardening-clothes-arrive.html> (Year: 2020).\*

(Continued)

*Primary Examiner* — Kevin K Rudzinski  
(74) *Attorney, Agent, or Firm* — Suzanne Kikel, Patent Agent

(56) **References Cited**

(57) **CLAIM**

**U.S. PATENT DOCUMENTS**

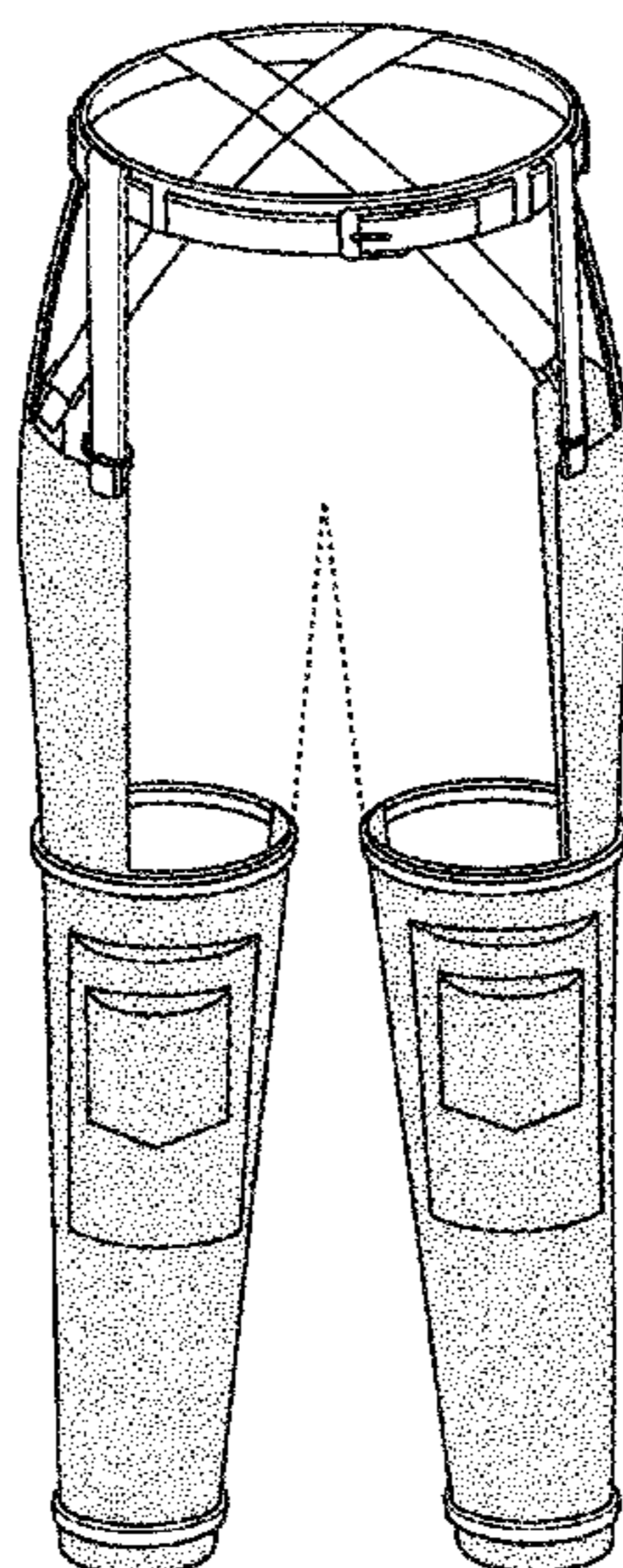
The ornamental design for a knee protector garment, as shown and described.

- 1,524,457 A \* 1/1925 Selander ..... A41D 13/046  
2/51
- 2,355,193 A \* 8/1944 Walker ..... A41D 1/067  
2/79
- D156,400 S \* 12/1949 Beatty ..... D2/743
- D201,861 S \* 8/1965 Cummins ..... D29/120.1
- 4,110,845 A \* 9/1978 Chellis ..... A41D 17/00  
36/2 R
- D274,670 S 7/1984 Smith
- 4,561,124 A \* 12/1985 Thompson ..... A41D 1/067  
2/227
- D292,340 S 10/1987 Sjolholm
- D293,617 S 1/1988 Barrett
- 4,831,666 A 5/1989 Denman
- 4,920,577 A \* 5/1990 Scharf ..... A41D 1/067  
2/22
- 5,033,126 A \* 7/1991 Wruck ..... A41D 1/08  
2/242

**DESCRIPTION**

FIG. 1 is a front perspective view of a knee protector garment, showing our new design;  
FIG. 2 is a front elevation view thereof;  
FIG. 3 is a rear elevation view thereof;  
FIG. 4 is a left side elevation view thereof;  
FIG. 5 is a right side elevation view thereof;  
FIG. 6 is a top plan view thereof; and,  
FIG. 7 is a bottom plan view thereof.  
The broken line showing of a human form throughout the views is for illustrative purposes only and forms no part of the claimed design.

**1 Claim, 4 Drawing Sheets**



(56)

References Cited

U.S. PATENT DOCUMENTS

D373,892 S \* 9/1996 Landwehr ..... D2/742  
 D393,141 S \* 4/1998 Glycenfer ..... D2/728  
 D395,939 S \* 7/1998 DeFino ..... D2/728  
 D399,336 S \* 10/1998 DeFino ..... D2/864  
 6,338,164 B1 \* 1/2002 Howard ..... A41D 13/015  
 2/23  
 6,405,383 B2 6/2002 Heller et al.  
 6,421,839 B1 \* 7/2002 Vo ..... A41D 13/0575  
 2/227  
 D469,241 S \* 1/2003 Moore ..... D2/742  
 D469,596 S \* 2/2003 Schneider ..... D2/742  
 6,665,875 B1 \* 12/2003 Alonso ..... A41D 13/04  
 2/46  
 6,745,398 B1 \* 6/2004 Hennessey ..... A41D 1/067  
 2/23  
 6,839,917 B1 \* 1/2005 Landwehr ..... A41D 13/04  
 2/22  
 D535,084 S \* 1/2007 Kelty ..... D2/742  
 7,194,770 B1 \* 3/2007 Fecencko ..... A41D 1/06  
 2/227  
 D575,027 S \* 8/2008 Williams ..... D2/742  
 7,415,733 B2 8/2008 Rampersad  
 D610,329 S \* 2/2010 Prechel ..... D2/742  
 D665,559 S \* 8/2012 Ridge ..... D2/742  
 D679,482 S \* 4/2013 Fuerst ..... D2/742  
 9,532,615 B2 \* 1/2017 Radefeldt ..... A41D 13/001

D780,404 S \* 3/2017 Grosbol ..... D2/742  
 9,675,123 B2 \* 6/2017 Brohmer ..... A41D 13/065  
 10,293,898 B2 5/2019 Villarreal et al.  
 D858,041 S \* 9/2019 Gay ..... D2/860  
 2003/0005505 A1 \* 1/2003 DeMott ..... A41D 13/0581  
 2/23  
 2008/0289072 A1 11/2008 Shin  
 2010/0005559 A1 \* 1/2010 Majerfeld ..... A41D 13/0543  
 2/22  
 2011/0067159 A1 \* 3/2011 Smith ..... A41D 1/08  
 2/22

OTHER PUBLICATIONS

Garden Chaps Have Built-In Knee Pads posted to farmshow.com. Available date: 2016 [site visited Mar. 22, 2021] Available: <[https://www.farmshow.com/a\\_article.php?aid=31023](https://www.farmshow.com/a_article.php?aid=31023)> (Year: 2016).\*

Greenjeans Farm and Garden Chaps posted to greenindustrypros.com. Available date: Jan. 4, 2011 [site visited Mar. 22, 2021] Available: <<https://www.greenindustrypros.com/design-installation/hardscaping/product/10211795/muscle-and-arm-farm-greenjeans-farm-and-garden-chaps>> (Year: 2011).\*

Knee Pad—"Chap-Style", Flame Resistant Westex in Dura Cotton Shell by DeHaus Performance Work Gear, posted to amazon.com. Available date: May 3, 2016 [site visited Mar. 22, 2021] Available: <<https://www.amazon.com/Chap-Style-Resistant-Westex-Non-Marking-Density/dp/B01F3XOCKC?th=1>> (Year: 2016).\*

\* cited by examiner

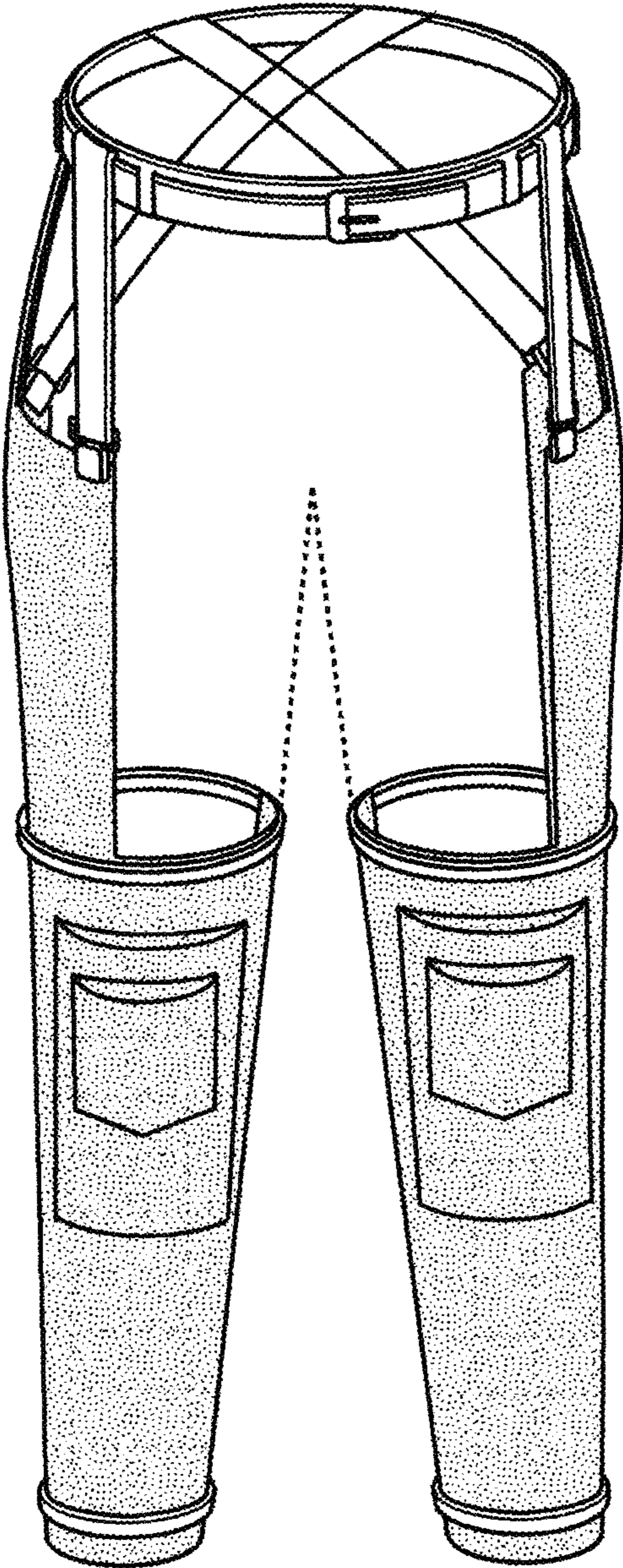


FIG. 1

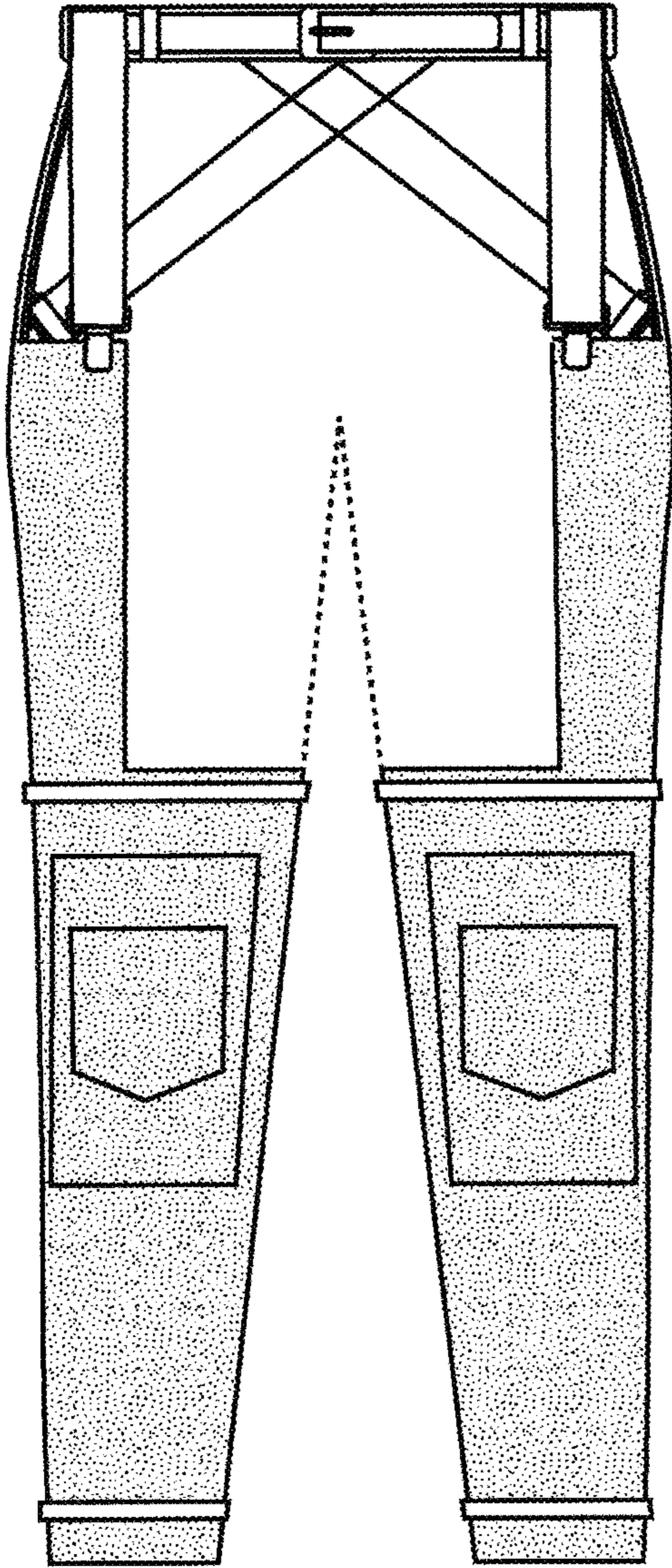


FIG. 2

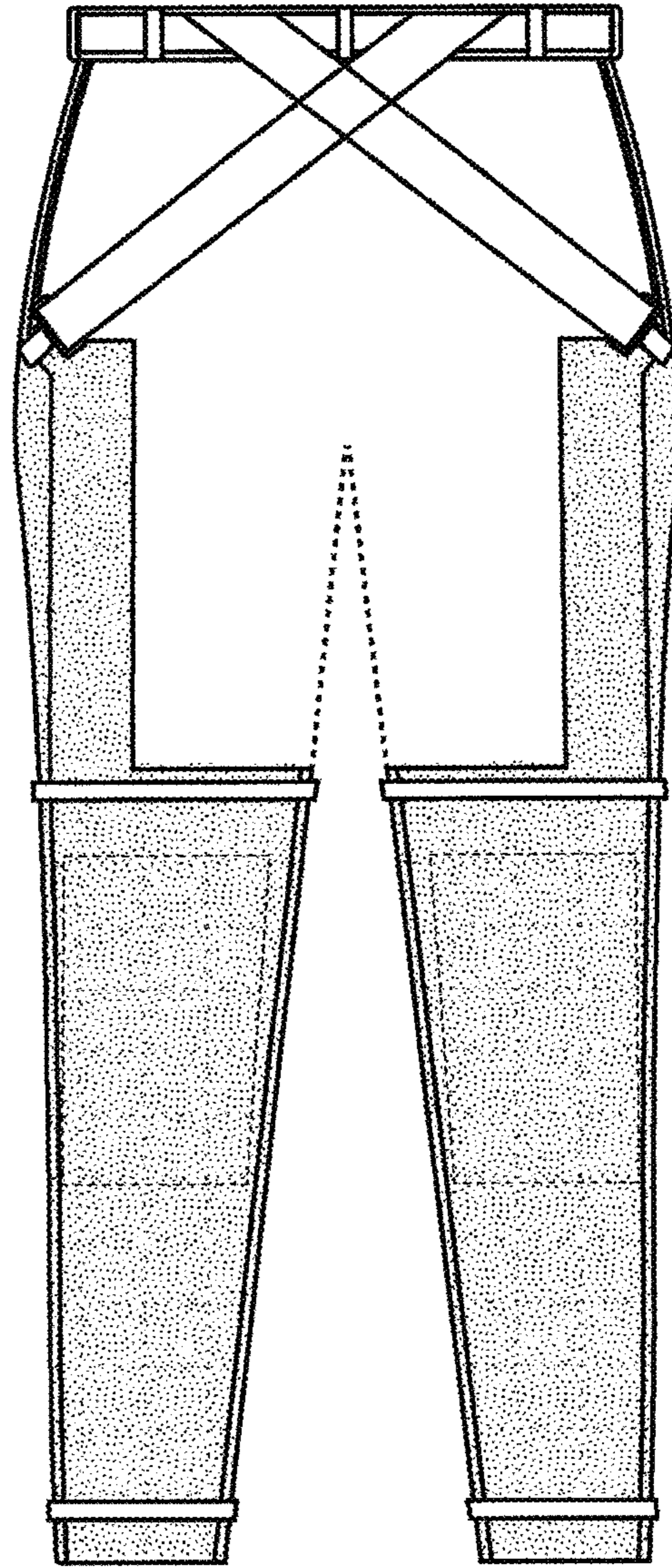
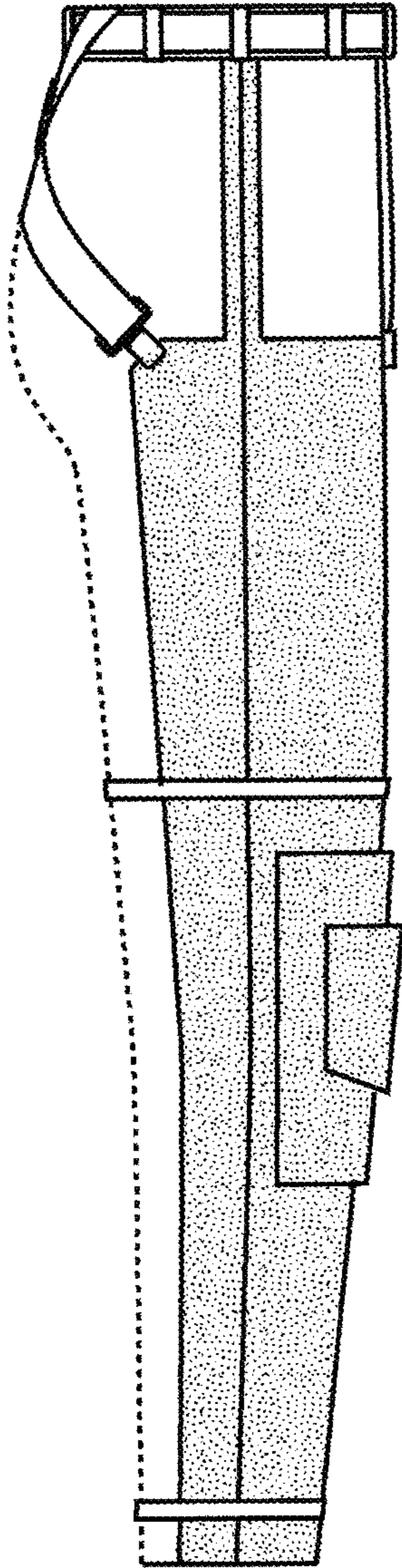
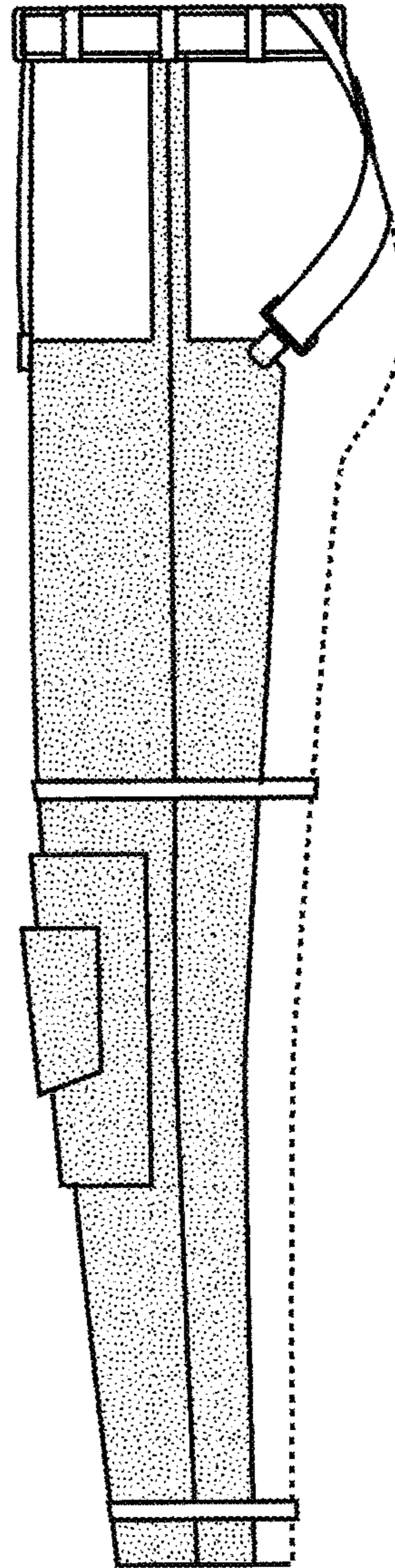


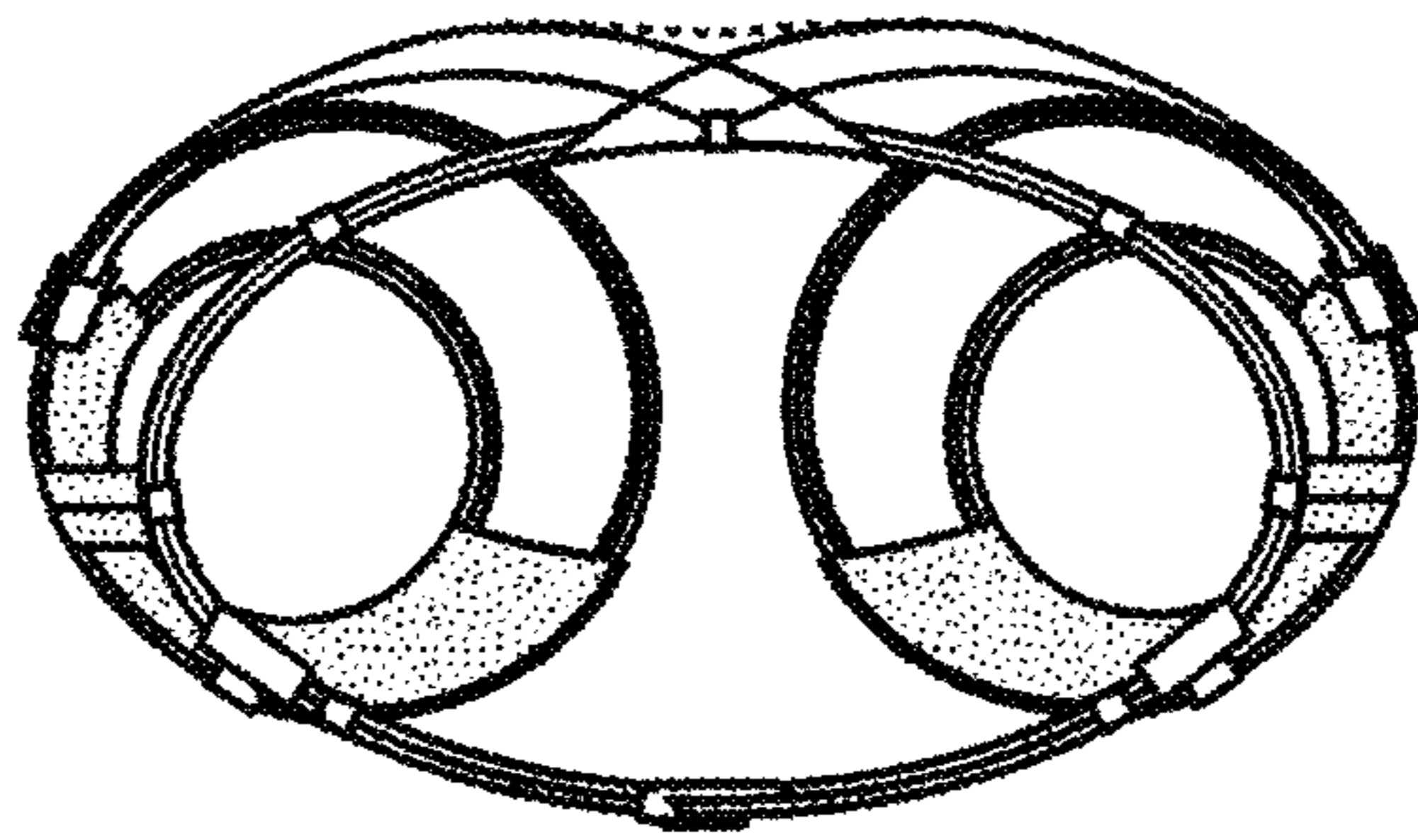
FIG. 3



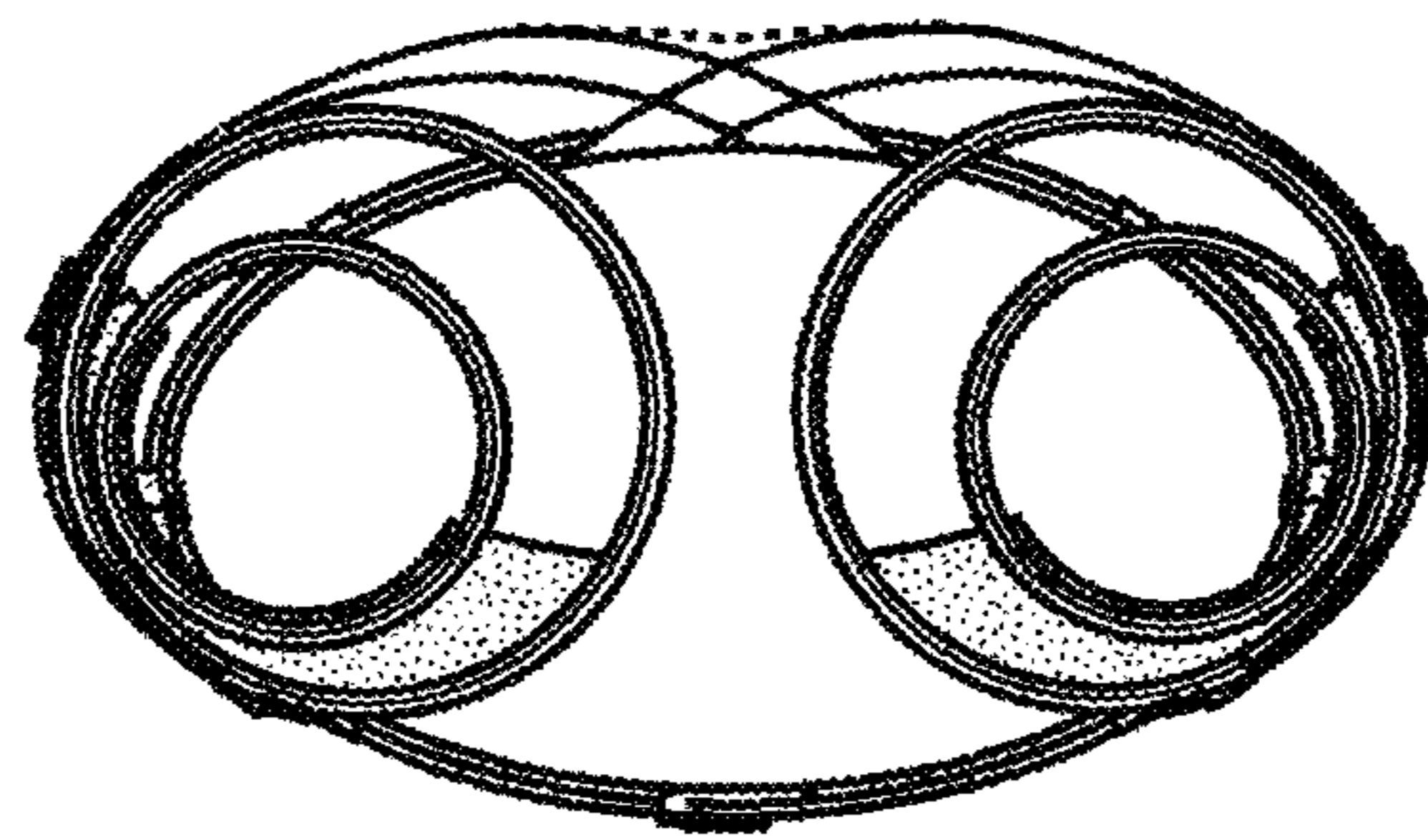
**FIG. 4**



**FIG. 5**



**FIG. 6**



**FIG. 7**