



US00D923913S

(12) **United States Design Patent** (10) **Patent No.:** **US D923,913 S**
Schwartz (45) **Date of Patent:** **** Jul. 6, 2021**

(54) **COMBINED WRIST BAND AND SWEAT TOWEL**

4,893,372 A 1/1990 Wenzel
5,119,513 A * 6/1992 McKay A41D 20/05
2/170

(71) Applicant: **SBT, Inc.**, Chicago, IL (US)

D341,004 S * 11/1993 Kross D24/190
(Continued)

(72) Inventor: **Yitzchok Moshe Schwartz**, Skokie, IL (US)

OTHER PUBLICATIONS

(73) Assignee: **SBT, Inc.**, Chicago, IL (US)

ARKTEK Microfiber Towel with Wristband, posted at amazon.com, posting date not given, [online], [site visited Dec. 11, 2020]. Available from Internet, URL: <https://www.amazon.com/ARKTEK-Microfiber-Wristband-Backpacking-Activities/dp/B081ND48CS> (Year: 2020).*

(**) Term: **15 Years**

(Continued)

(21) Appl. No.: **29/702,858**

(22) Filed: **Aug. 22, 2019**

Related U.S. Application Data

Primary Examiner — George D. Krischbaum

Assistant Examiner — Maria J. Edwards

(62) Division of application No. 16/531,979, filed on Aug. 5, 2019.

(74) *Attorney, Agent, or Firm* — Brian Roffe

(51) **LOC (13) Cl.** **02-06**

(57) **CLAIM**

(52) **U.S. Cl.**
USPC **D2/614**

The ornamental design for a combined wrist band and sweat towel, as shown and described.

(58) **Field of Classification Search**
USPC D2/610, 614, 621, 623
CPC A41D 19/0044; A41D 19/0055; A41D 19/00; A41D 13/08
See application file for complete search history.

DESCRIPTION

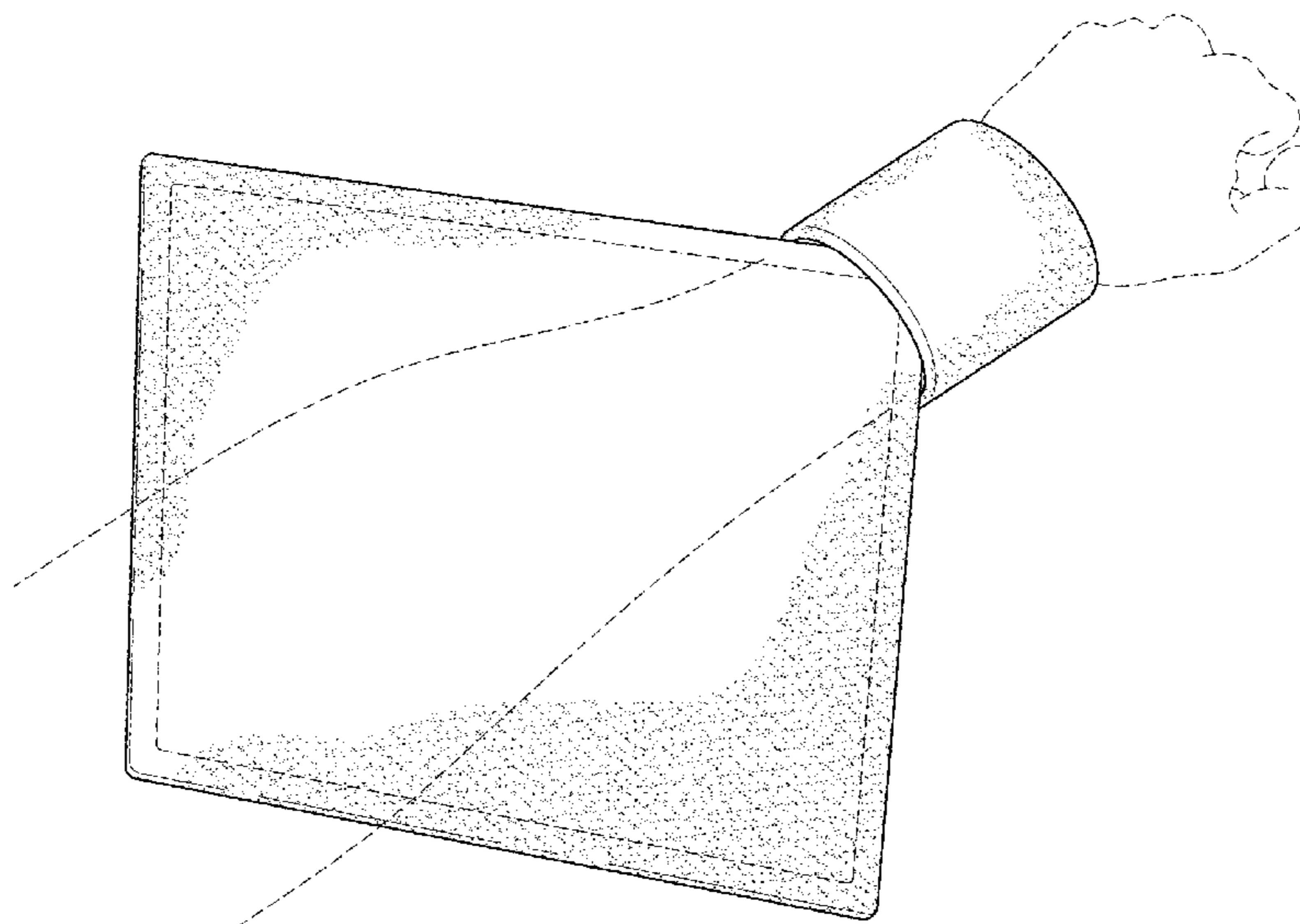
(56) **References Cited**

FIG. 1 is a perspective view of a combined wrist band and sweat towel showing my new design in a manner of use; FIG. 2 is a front view thereof; FIG. 3 is a rear view thereof; FIG. 4 is a top view thereof; FIG. 5 is a bottom view thereof; FIG. 6 is a right view thereof; FIG. 7 is a left view thereof; and, FIG. 8 is a perspective view thereof during use. The broken lines showing an arm and a hand in FIGS. 1 and 8 illustrate environmental structures and form no part of the claimed design. All other broken lines in the drawings depict portions of the article and form no part of the claimed design.

U.S. PATENT DOCUMENTS

- 2,643,389 A * 6/1953 Wegner A41D 20/00
2/170
- 2,736,052 A 2/1956 Tufarolo
- 3,040,357 A 6/1962 Belleni
- 3,760,461 A 9/1973 Wright
- 4,244,057 A 1/1981 Burnham
- 4,403,366 A 9/1983 Lucke
- 4,448,560 A 5/1984 Monaco, Jr.
- 4,517,685 A * 5/1985 Lesley A41D 13/01
359/518
- 4,843,653 A * 7/1989 Coble D04B 1/106
2/170

1 Claim, 6 Drawing Sheets



(56)

References Cited

U.S. PATENT DOCUMENTS

5,305,470 A * 4/1994 McKay A41D 20/005
2/170
5,400,936 A * 3/1995 Jones A45C 1/04
224/219
D369,893 S * 5/1996 Thrussell D29/120.1
D409,357 S * 5/1999 Hirata D2/610
D434,655 S * 12/2000 Haugh D9/434
6,213,634 B1 * 4/2001 Harrington A44C 5/0053
224/170
6,240,565 B1 6/2001 Spear
6,708,733 B2 * 3/2004 Iizuka D04B 1/22
139/383 B
D595,927 S * 7/2009 Rubin D2/610
D600,428 S * 9/2009 Rubin D2/610
D601,018 S * 9/2009 Trayser D9/434
D701,001 S * 3/2014 Daniel D29/120.1
8,661,567 B1 * 3/2014 Hoover A41D 20/00
2/170

D731,345 S * 6/2015 Stewart D11/3
9,044,687 B2 6/2015 Walker
D734,563 S * 7/2015 Daniel D29/120.1
9,451,797 B1 9/2016 Ashkanani
D791,430 S * 7/2017 Sheedy D2/610
10,076,144 B2 9/2018 Rivera
D858,937 S * 9/2019 Sweeting D2/610
2007/0234466 A1 10/2007 Stengel
2015/0150323 A1 6/2015 Basik
2016/0037840 A1 2/2016 Basik

OTHER PUBLICATIONS

Towel and sweat band, posted at runningluv.com, posting date not given, [online], [site visited Dec. 11, 2020]. Available from Internet, URL: <https://www.runningluv.com/pages/see-how-it-works> (Year: 2020).*

* cited by examiner

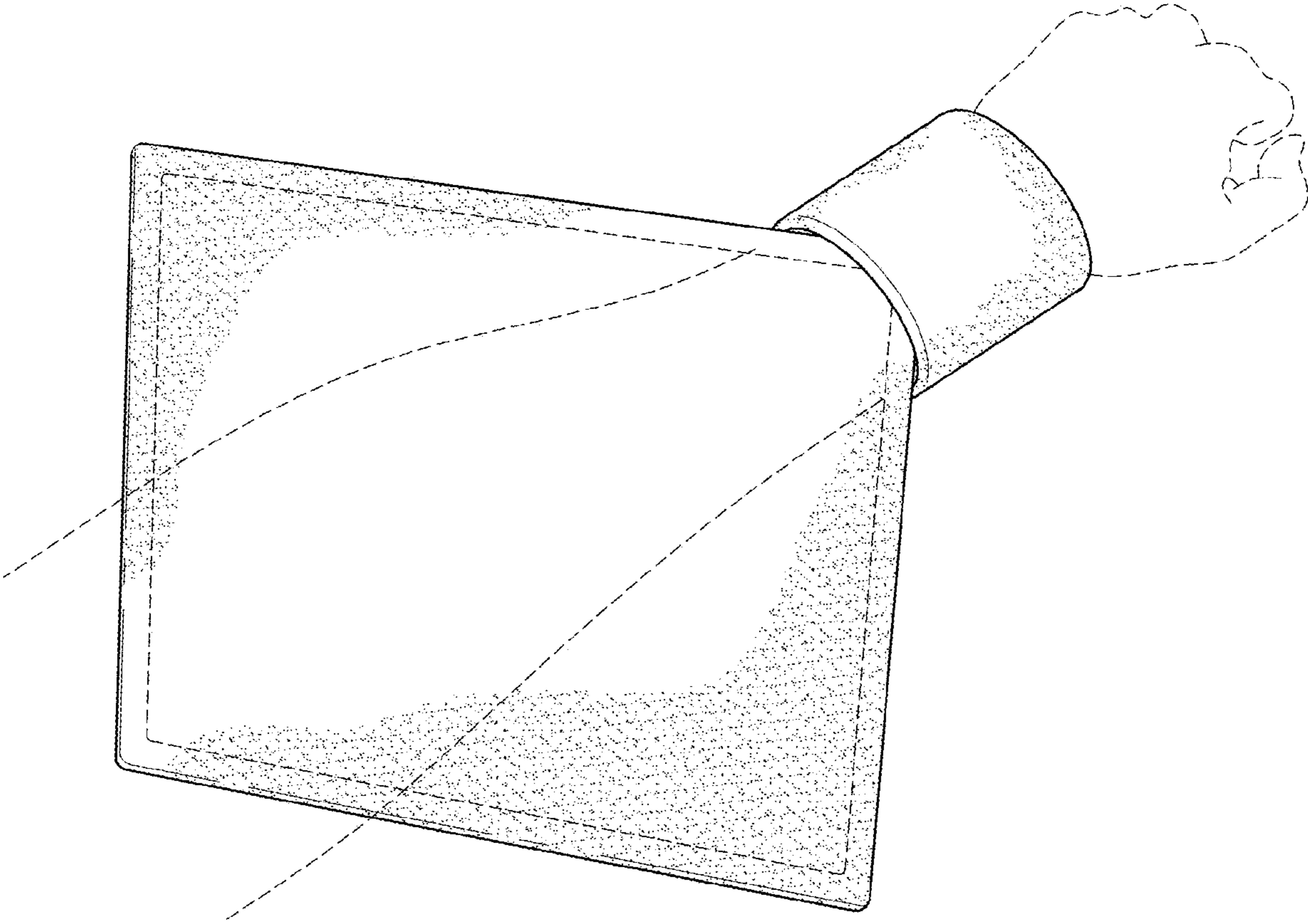


FIG. 1

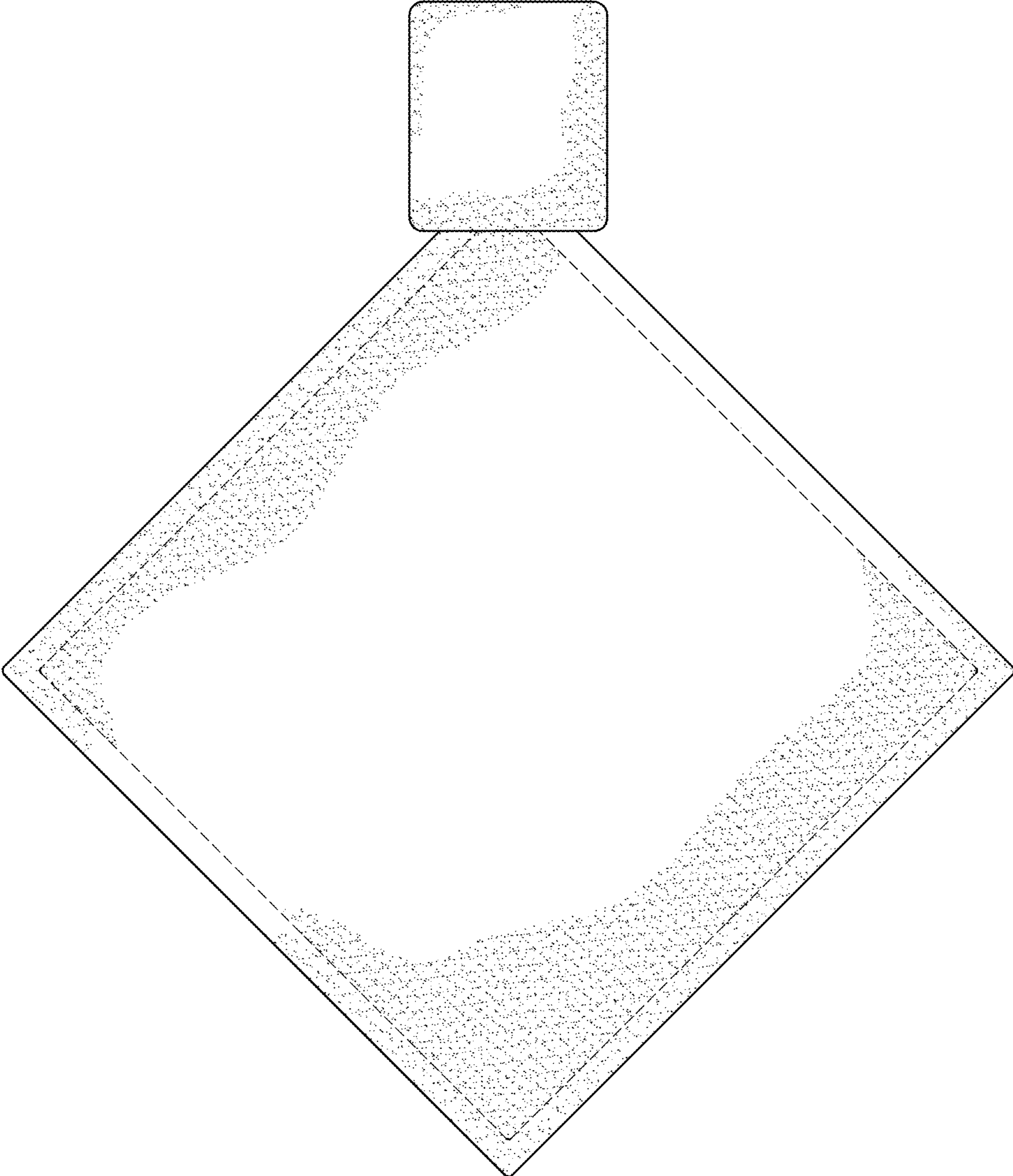


FIG. 2

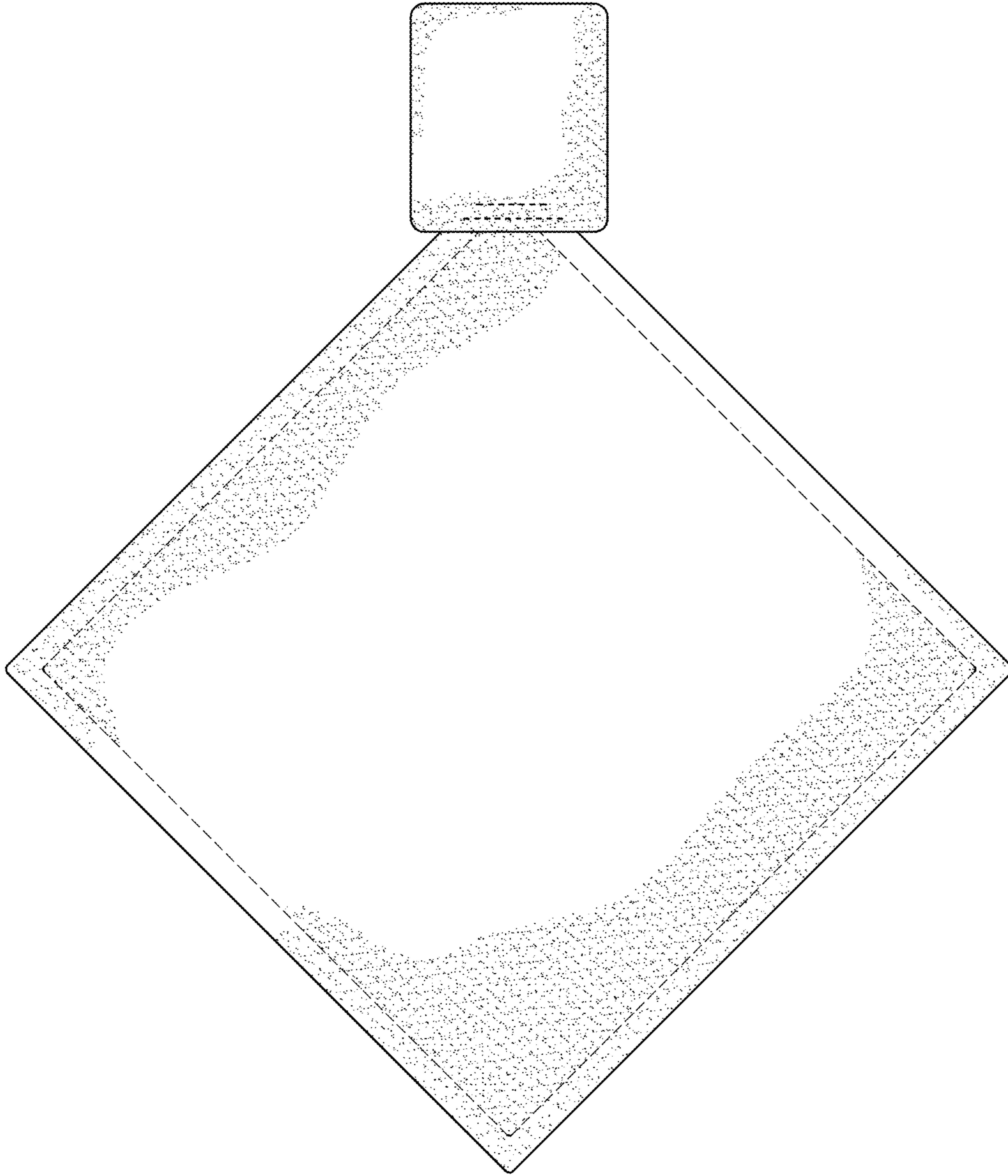


FIG. 3

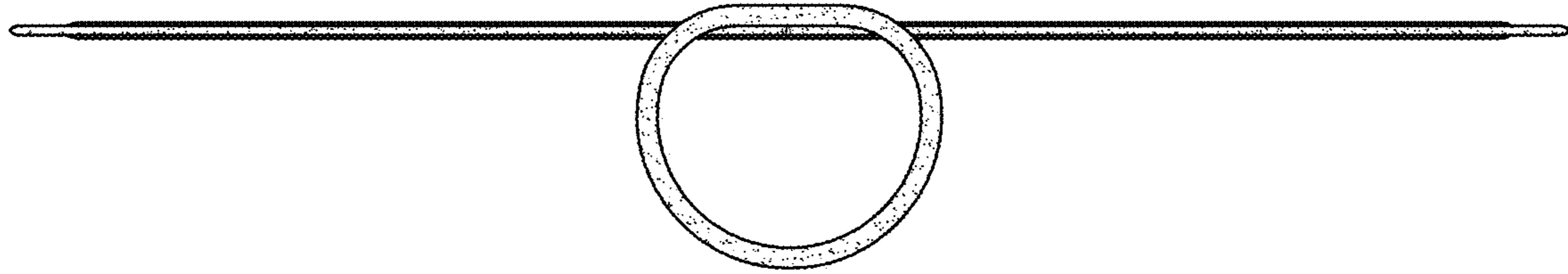


FIG. 4

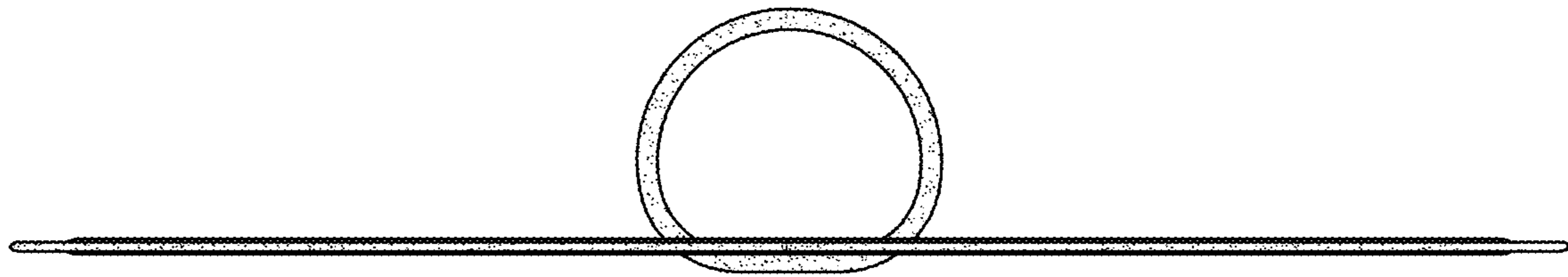


FIG. 5

FIG. 6

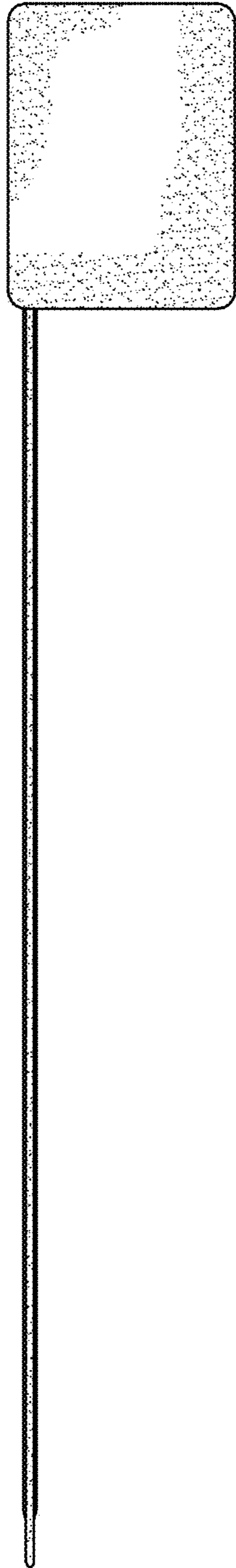
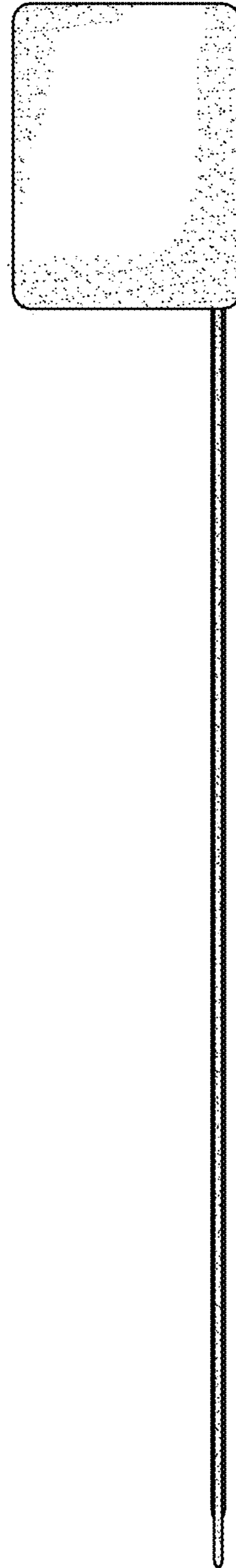


FIG. 7



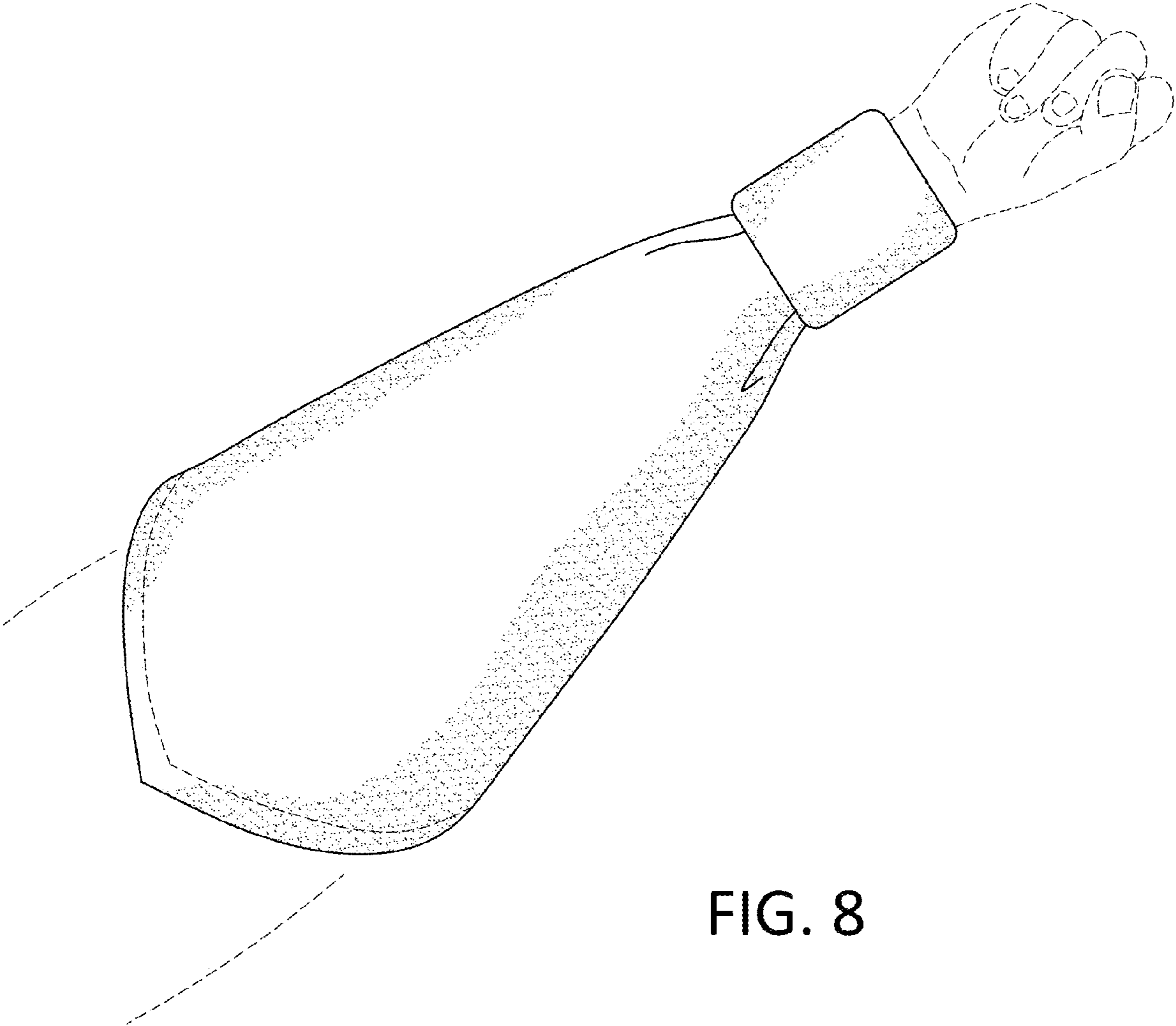


FIG. 8