



US00D923911S

(12) **United States Design Patent**
van Eyk et al.

(10) **Patent No.:** **US D923,911 S**
(45) **Date of Patent:** **** Jul. 6, 2021**

(54) **SOFT STUFFED PET TREAT**

- (71) Applicant: **Spectrum Brands, Inc.**, Middleton, WI (US)
- (72) Inventors: **Gregory van Eyk**, Christiansburg, VA (US); **Tiffany Potter**, Pearisburg, VA (US); **Kelli Strazar**, St. Charles, MO (US); **Todd Palmer**, O Fallon, MO (US)
- (73) Assignee: **Spectrum Brands, Inc.**, Middleton, WI (US)

(**) Term: **15 Years**

(21) Appl. No.: **29/701,816**

(22) Filed: **Aug. 14, 2019**

(51) **LOC (13) Cl.** **01-01**

(52) **U.S. Cl.**
USPC **D1/101; D1/130**

(58) **Field of Classification Search**
USPC D1/100–130, 199; 426/2, 89, 92, 104, 426/635, 805, 132, 138, 502, 607, 283;
(Continued)

(56) **References Cited**

U.S. PATENT DOCUMENTS

- 1,802,306 A * 4/1931 Baker A23G 9/24
426/95
- 2,831,948 A * 4/1958 Fraser H02B 1/048
200/295

(Continued)

FOREIGN PATENT DOCUMENTS

- CN 03351567.0 4/2004
- CN 200530139926.0 1/2005

(Continued)

OTHER PUBLICATIONS

Jen T. "Nutella Sandwich Rolls." Food. Jun. 11, 2007. Web. Dec. 21, 2020. <<https://www.food.com/recipe/nutella-sandwich-rolls-162251>>.*

(Continued)

Primary Examiner — Katie Jane Stofko
(74) *Attorney, Agent, or Firm* — Merchant & Gould P.C.

(57) **CLAIM**

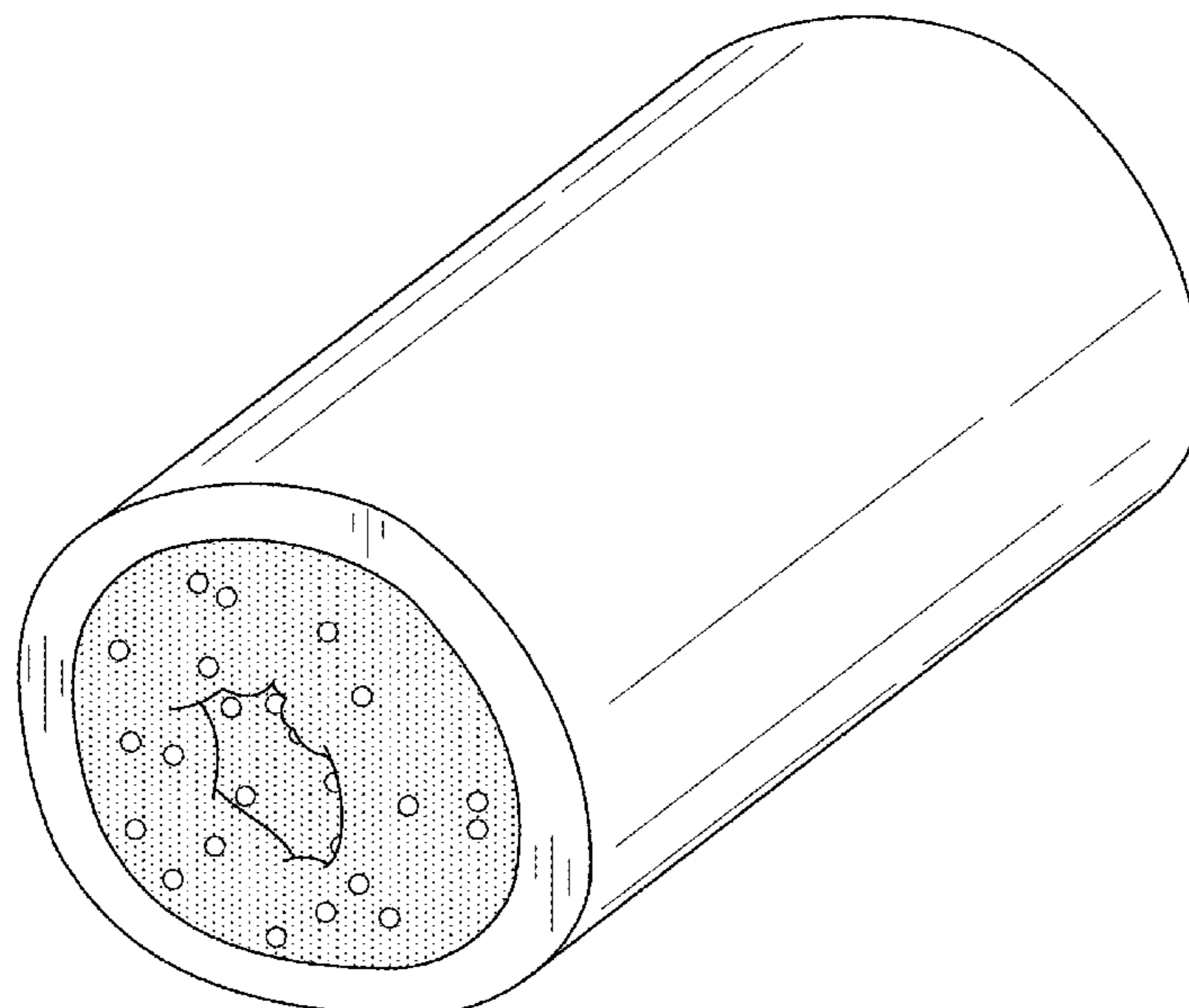
The ornamental design for a soft stuffed pet treat, as shown and described.

DESCRIPTION

FIG. 1 is a front, right side, top perspective view of a first embodiment of a soft stuffed pet treat;
 FIG. 2 is a front elevation view thereof, the back elevation view being a mirror image thereof;
 FIG. 3 is a right side elevation view thereof, the left side elevation view being a mirror image thereof;
 FIG. 4 is a top plan view, the bottom plan view being a mirror image thereof;
 FIG. 5 is a front, right side, top perspective view of a second embodiment of a soft stuffed pet treat;
 FIG. 6 is a front elevation view thereof, the back elevation view being a mirror image thereof;
 FIG. 7 is a right side elevation view thereof, the left side elevation view being a mirror image thereof; and,
 FIG. 8 is a top plan view, the bottom plan view being a mirror image thereof.

The stippled shading and the other portions of the design that are not shown with stippled shading represent a contrasting appearance. The break lines shown in the middle portion of the soft stuffed pet treat in FIGS. 5, 7 and 8 indicate that the appearance of any portion of the article between the break lines forms no part of the claimed design.

1 Claim, 6 Drawing Sheets



(58) **Field of Classification Search**

USPC D6/610; D29/120.1, 121.1; D24/189,
 D24/190, 192, 206; 602/21; D3/218,
 D3/226, 269; D21/440, 712; 182/882
 CPC .. E04B 2/7818; E04B 2/82; E04C 3/28; E04F
 2203/04; A23G 3/50; A23G 3/54; A23J
 3/26; A23L 1/0067

See application file for complete search history.

(56)

References Cited

U.S. PATENT DOCUMENTS

5,070,597 A * 12/1991 Holt F16L 58/181
 29/887
 5,160,754 A * 11/1992 Hayashi A21D 13/31
 426/283
 D385,686 S * 11/1997 Parker D1/122
 6,824,799 B1 * 11/2004 Huang A21D 2/181
 426/100

 D515,275 S 2/2006 Leiweke et al.
 D527,164 S 8/2006 Speck et al.
 D528,261 S 9/2006 Mendes et al.
 D532,583 S 11/2006 Townsend et al.
 D557,876 S * 12/2007 Lenell D1/101
 D593,277 S 6/2009 Wylie
 D645,638 S 9/2011 Mingyun et al.
 D713,118 S * 9/2014 Park D1/128
 D730,617 S 6/2015 Slusarczyk et al.
 D789,025 S * 6/2017 Shubert D1/101
 D855,933 S * 8/2019 Mockler D1/129
 D857,331 S * 8/2019 Mockler D1/129

D870,416 S 12/2019 Keehn et al.
 2007/0289552 A1 * 12/2007 Axelrod A01K 15/026
 119/710
 2008/0145485 A1 * 6/2008 Tepper A23K 50/42
 426/92

FOREIGN PATENT DOCUMENTS

CN	20050096729.5	12/2005
CN	200530096731.2	12/2005
CN	200830022417.3	3/2009
CN	200830022418.8	3/2009
CN	200830140079.3	6/2009
CN	200930192562.0	5/2010
CN	201430447824.4	5/2015
CN	201430400487.3	6/2015
CN	201530155756.9	10/2015
CN	201730117070.X	9/2017
CN	201830679774.0	5/2019
CN	201930036625.7	7/2019
EM	007757869-0003	4/2020

OTHER PUBLICATIONS

Aimee. "Vanilla Funfetti Cake Roll." Shugary Sweets. May 26, 2013. Web. Dec. 21, 2020. <<https://www.shugarysweets.com/vanilla-funfetti-cake-roll/>>.*
 Office Action dated May 18, 2020 from Chinese Patent Application for Design No. 202030051787.0.

* cited by examiner

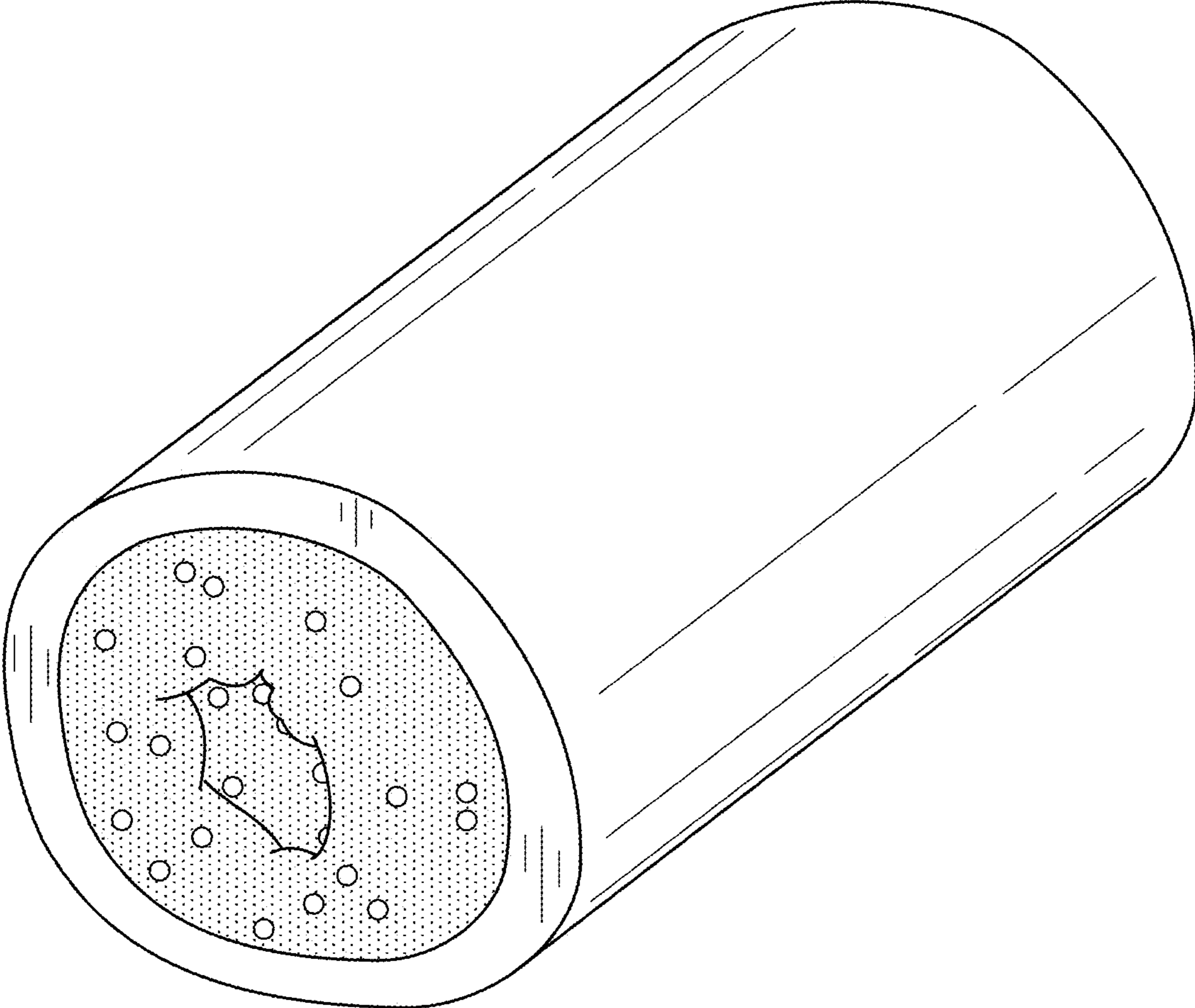


FIG. 1

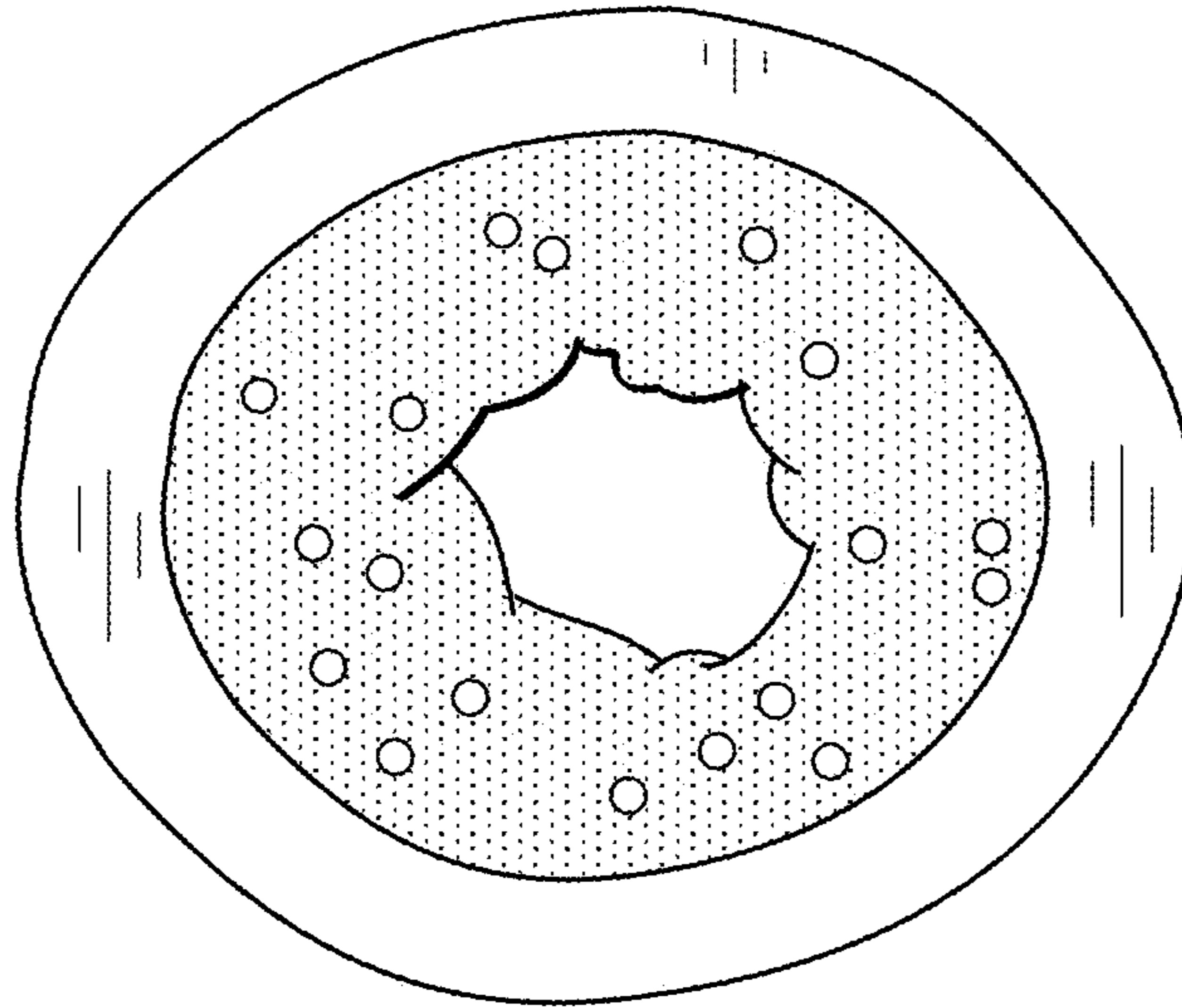


FIG. 2

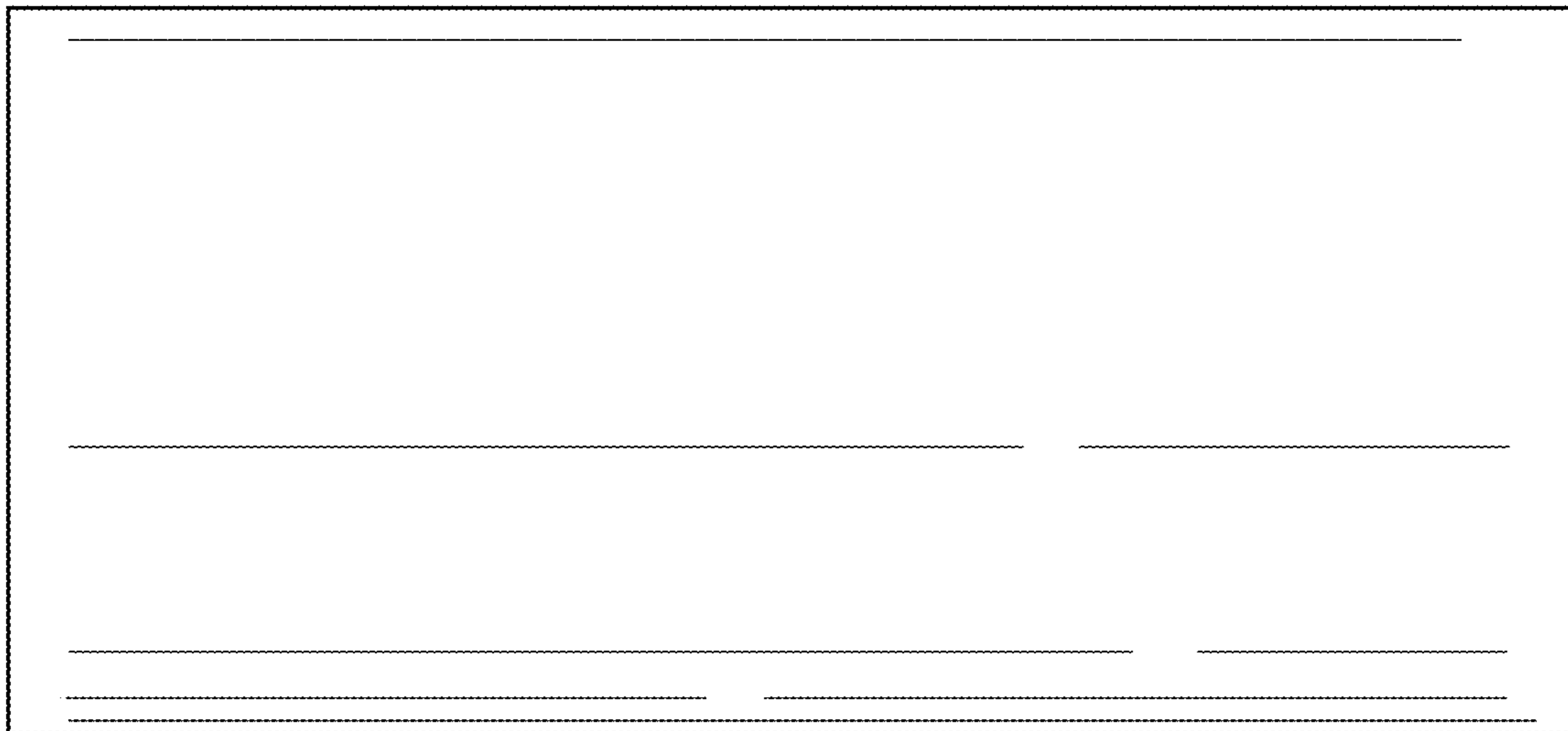


FIG. 3

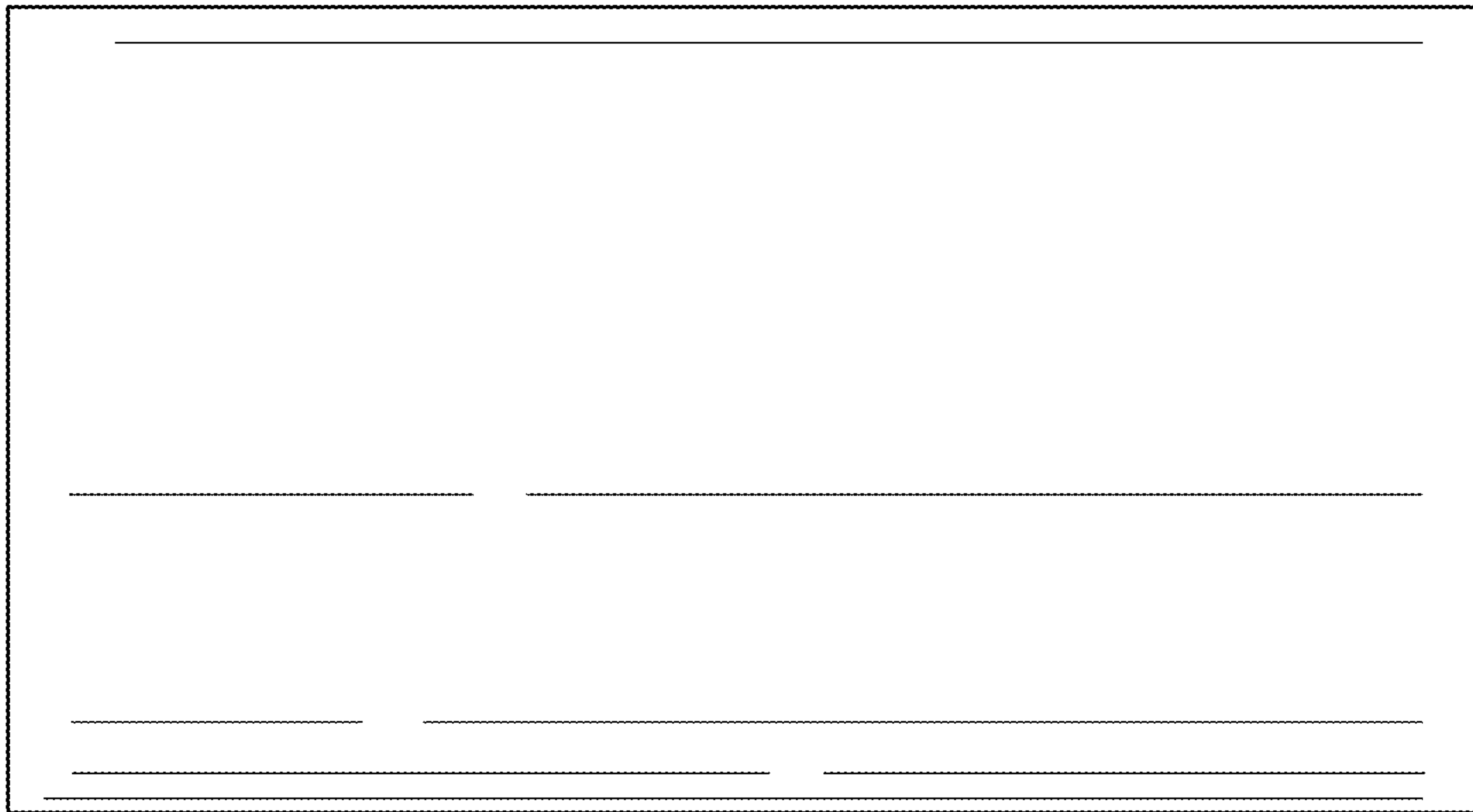


FIG. 4

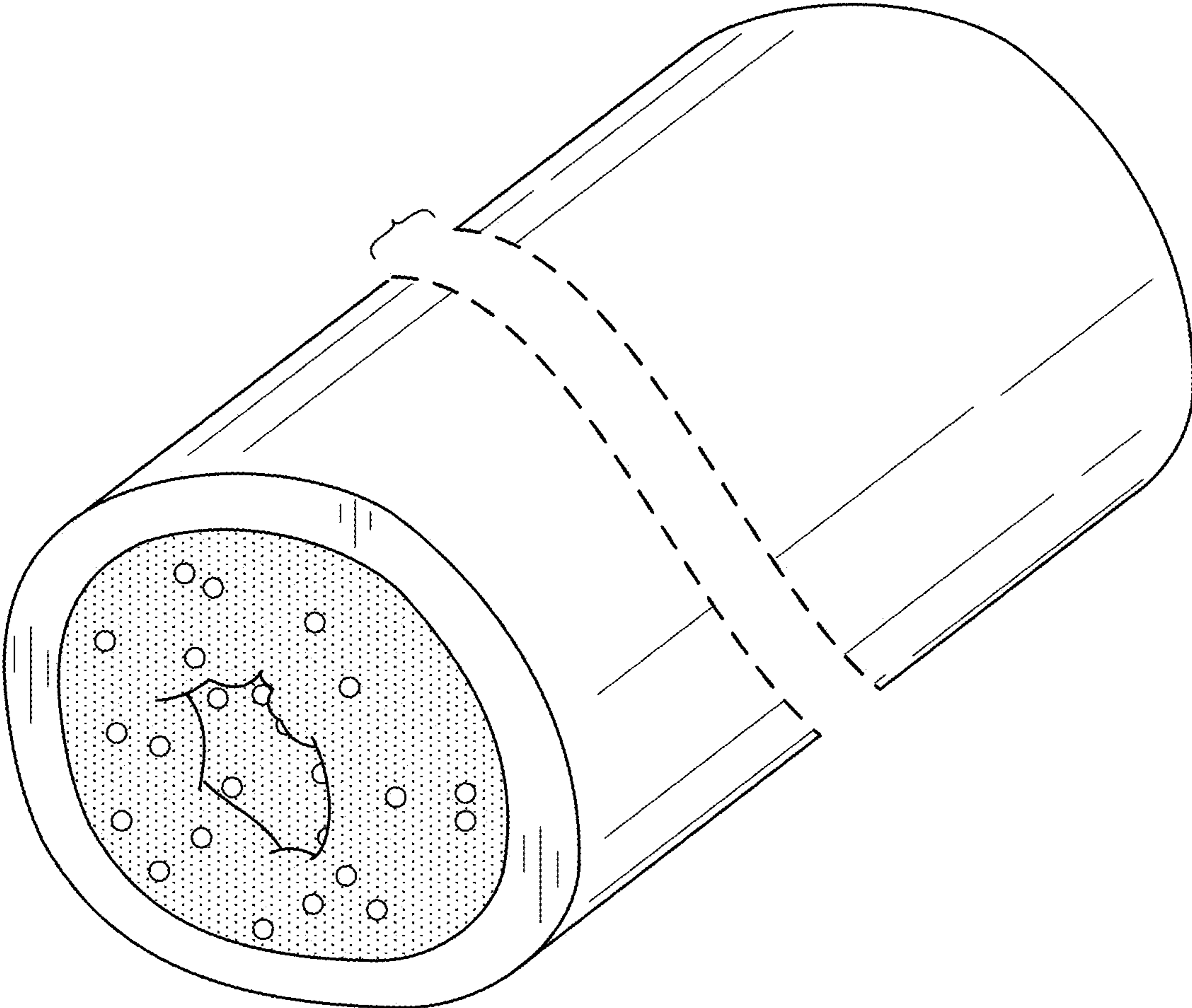


FIG. 5

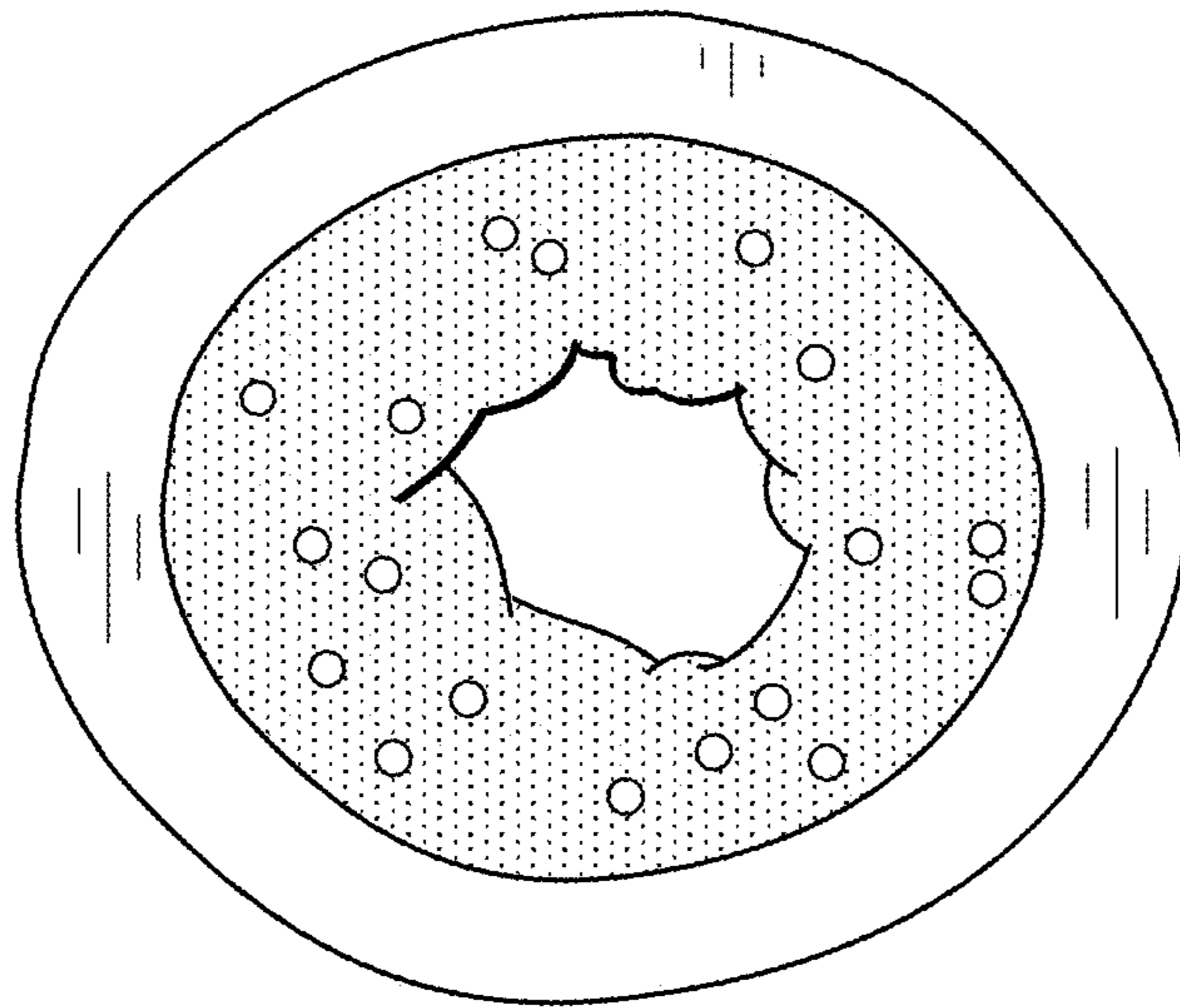


FIG. 6

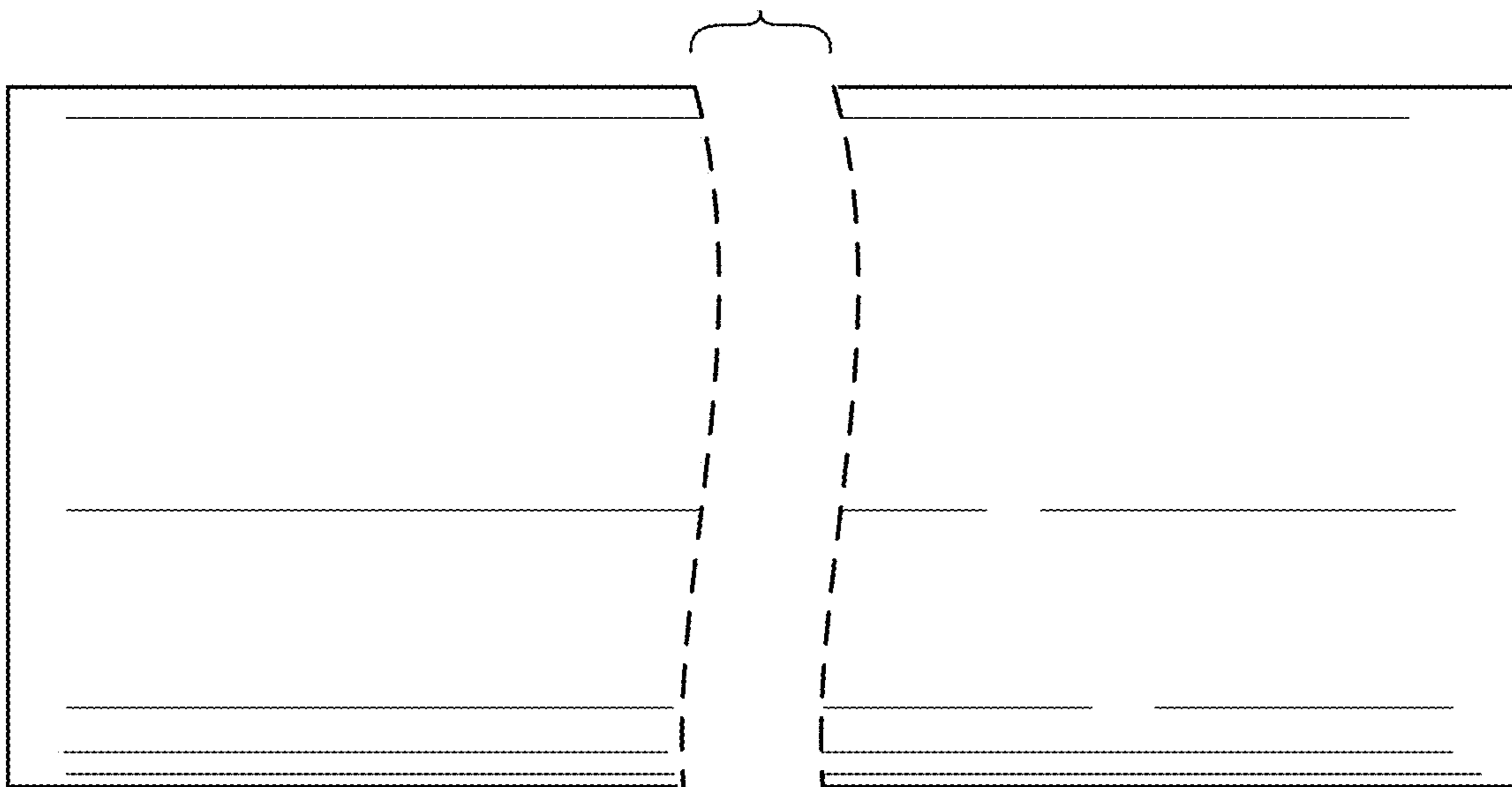


FIG. 7

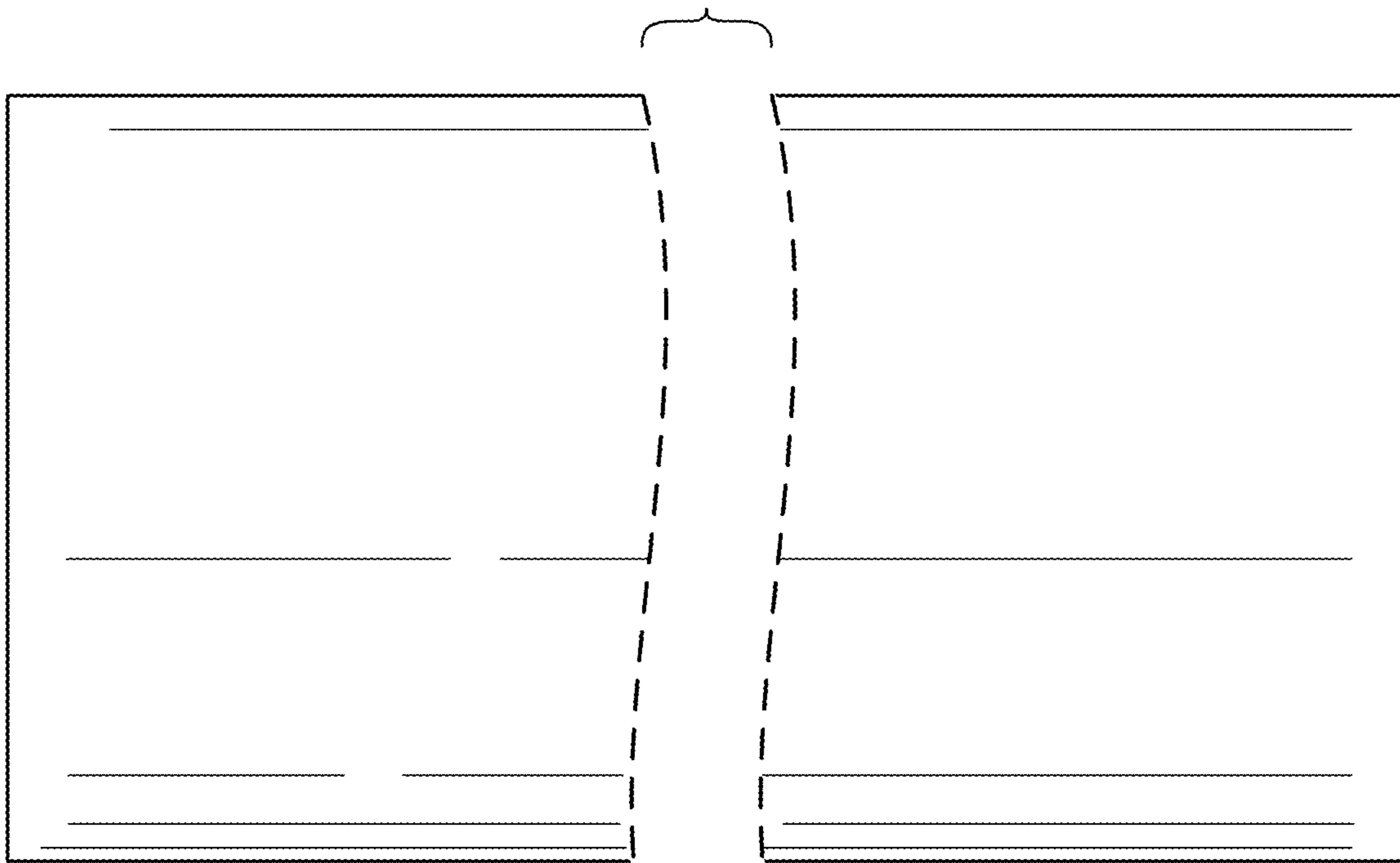


FIG. 8