



US00D923908S

(12) **United States Design Patent** (10) **Patent No.:** **US D923,908 S**
Ueda et al. (45) **Date of Patent:** **** Jun. 29, 2021**

(54) **RAIL FOR CARRIAGE**

OTHER PUBLICATIONS

(71) Applicant: **DAIFUKU CO., LTD.**, Osaka (JP)
(72) Inventors: **Yuichi Ueda**, Shiga (JP); **Osamu Matsui**, Shiga (JP); **Atsushi Ishikura**, Shiga (JP)
(**) Term: **15 Years**

Notice of Allowance issued in connection with corresponding TW 108305605, dated Jul. 28, 2020.

Primary Examiner — George A Bugg
Assistant Examiner — Tamara L Hahn
(74) *Attorney, Agent, or Firm* — Kusner & Jaffe

(21) Appl. No.: **29/705,466**

(57) **CLAIM**
The ornamental design for a rail for carriage, as shown and described.

(22) Filed: **Sep. 12, 2019**

DESCRIPTION

(30) **Foreign Application Priority Data**

Mar. 25, 2019 (JP) 2019-006164

(51) **LOC (13) Cl.** **12-05**

(52) **U.S. Cl.**
USPC **D34/35**

(58) **Field of Classification Search**
USPC D34/28, 29, 30, 31, 32, 33, 34, 35, 36,
D34/37, 38; D25/119, 120, 122, 123,
(Continued)

FIG. 1 is an upper perspective view of a rail for carriage showing our new design;
FIG. 2 is an alternative illustration of FIG. 1;
FIG. 3 is a lower perspective view thereof;
FIG. 4 is an alternative illustration of FIG. 2;
FIG. 5 is a front elevational view thereof, a rear elevational view being a mirror image of the front elevational view;
FIG. 6 is a right side elevational view thereof;
FIG. 7 is an alternative illustration of FIG. 4;
FIG. 8 is a left side elevational view thereof;
FIG. 9 is an alternative illustration of FIG. 5;
FIG. 10 is a top plan view thereof;
FIG. 11 is an alternative illustration of FIG. 6;
FIG. 12 is a bottom plan view thereof;
FIG. 13 is an alternative illustration of FIG. 7; and
FIG. 14 is a cross-sectional view thereof taken along line 14 of FIGS. 6 and 7; and,
FIG. 15 is an enlarged portion of FIG. 14.

(56) **References Cited**

U.S. PATENT DOCUMENTS

D660,984 S * 5/2012 Kotin D25/119
D670,474 S * 11/2012 Koch B66C 7/02
D34/35

(Continued)

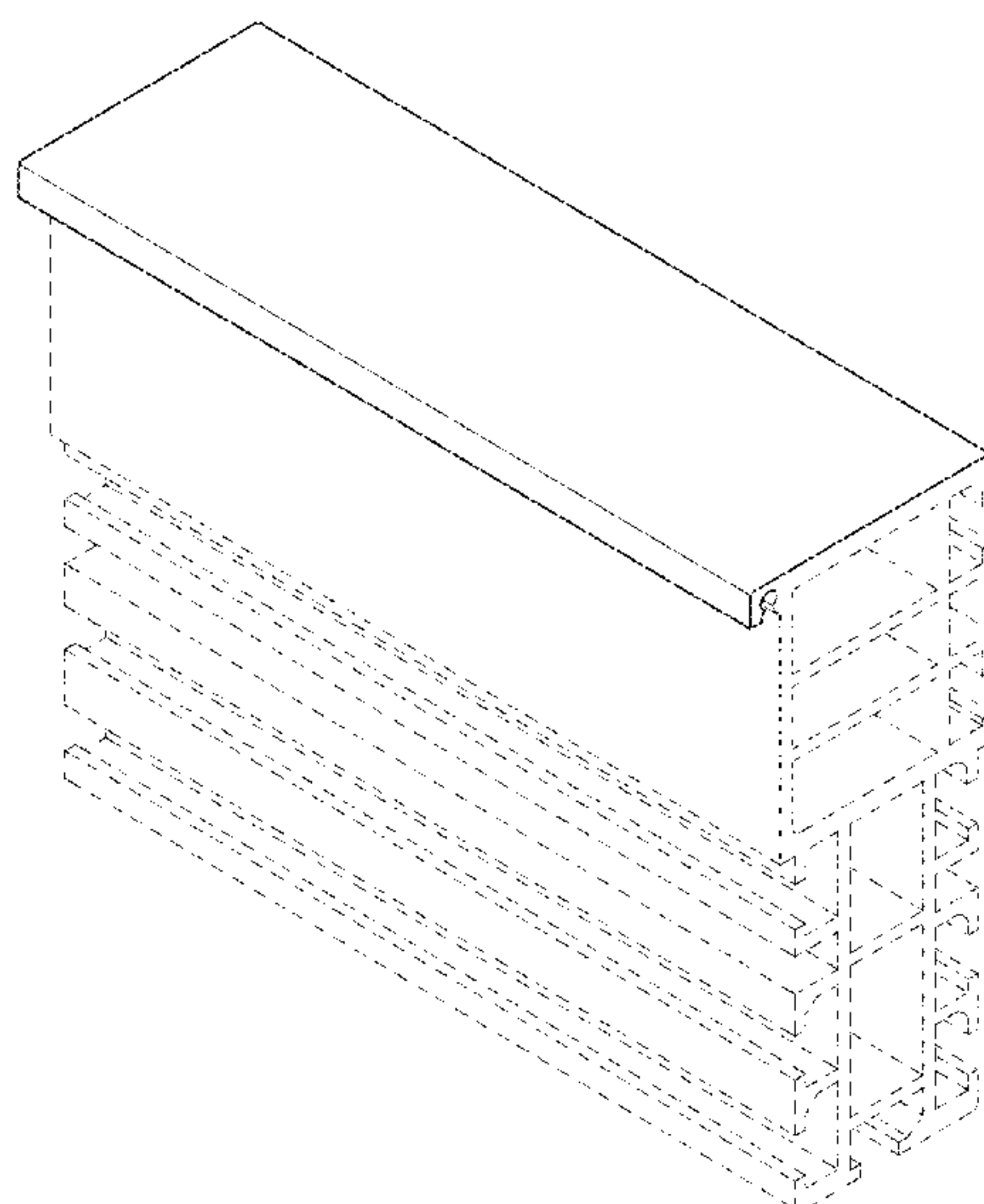
FOREIGN PATENT DOCUMENTS

KR 3005027880000 8/2008
KR 3007543130000 7/2014

(Continued)

The rail for carriage is shown with symbolic breaks in its length. The appearance of any portion of the article between the break lines forms no part of the claimed design. The elements shown in broken lines in the figures are included for the purpose of illustrating unclaimed portions of the rail for carriage and form no part of the claimed design.

1 Claim, 15 Drawing Sheets



US D923,908 S

Page 2

(58) **Field of Classification Search**

USPC D25/124, 125, 126; D8/349, 354,
D8/373-377; D9/456
CPC B65D 2519/00; B65D 2519/00273; B65D
2519/00288; B65D 2519/00363; B65D
2519/00069; B65B 65/00; E06B 1/12;
E04C 3/00; E04C 3/02; E04C 3/125;
E04C 3/127; E04B 1/18; E04B 1/24

See application file for complete search history.

D721,189 S * 1/2015 Gori D25/119
D725,294 S * 3/2015 Cooke D25/119
D790,799 S * 6/2017 Holzhaeuser D34/35
D846,157 S * 4/2019 Luvison D25/123
D897,624 S * 9/2020 Dale D34/39
D898,950 S * 10/2020 Weber D25/124
2005/0098059 A1* 5/2005 Wallner B66C 11/06
104/89
2017/0152073 A1* 6/2017 Lim B65D 19/06

FOREIGN PATENT DOCUMENTS

(56)

References Cited

U.S. PATENT DOCUMENTS

D673,343 S * 12/2012 Thiele D34/29
D698,943 S * 2/2014 Johnston D25/119
D720,473 S * 12/2014 Knox D25/119

TW 148741 12/1990
TW 148742 12/1990
TW 148743 12/1990
TW 148744 12/1990
TW 285625 9/1996

* cited by examiner

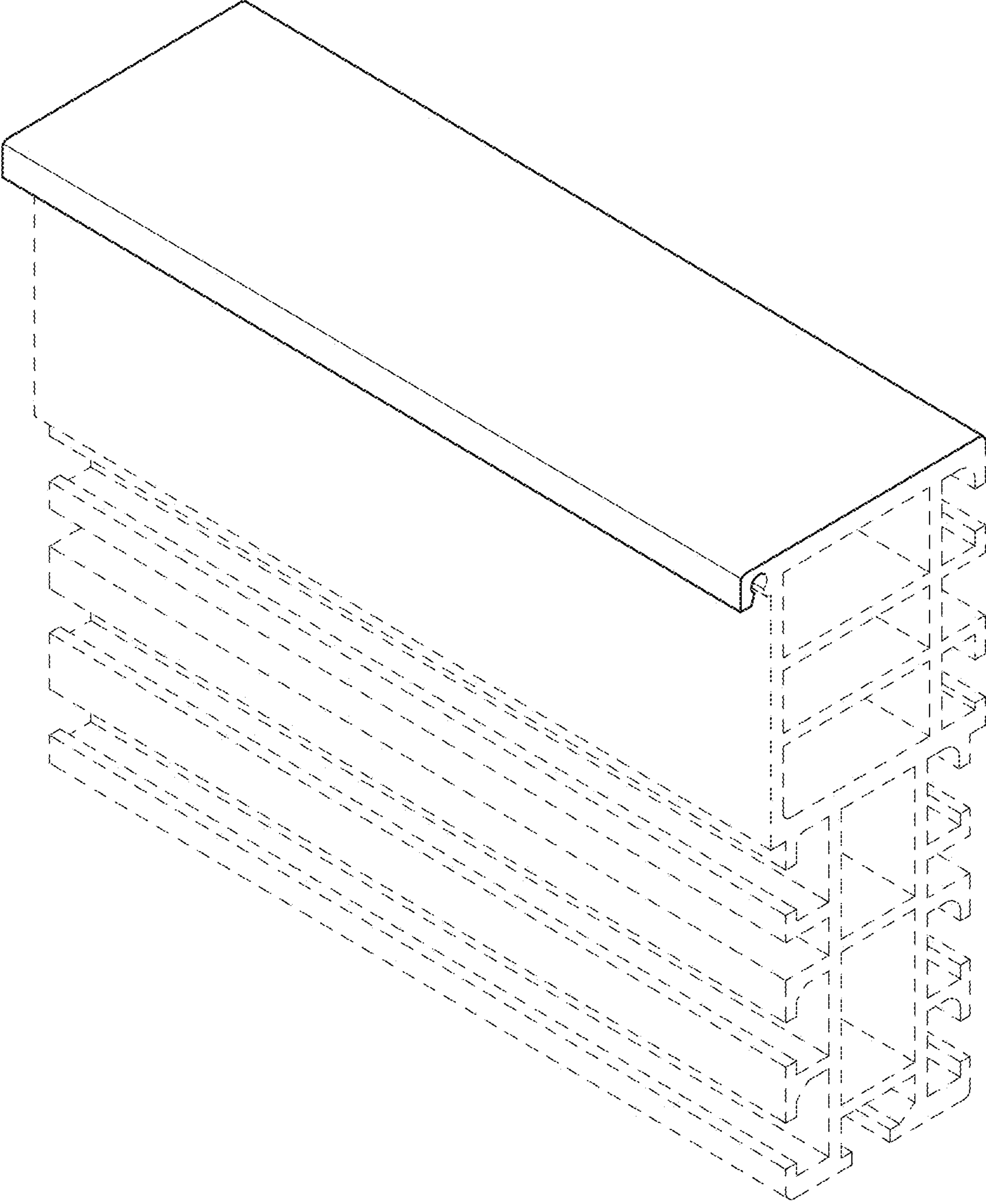


FIG. 1

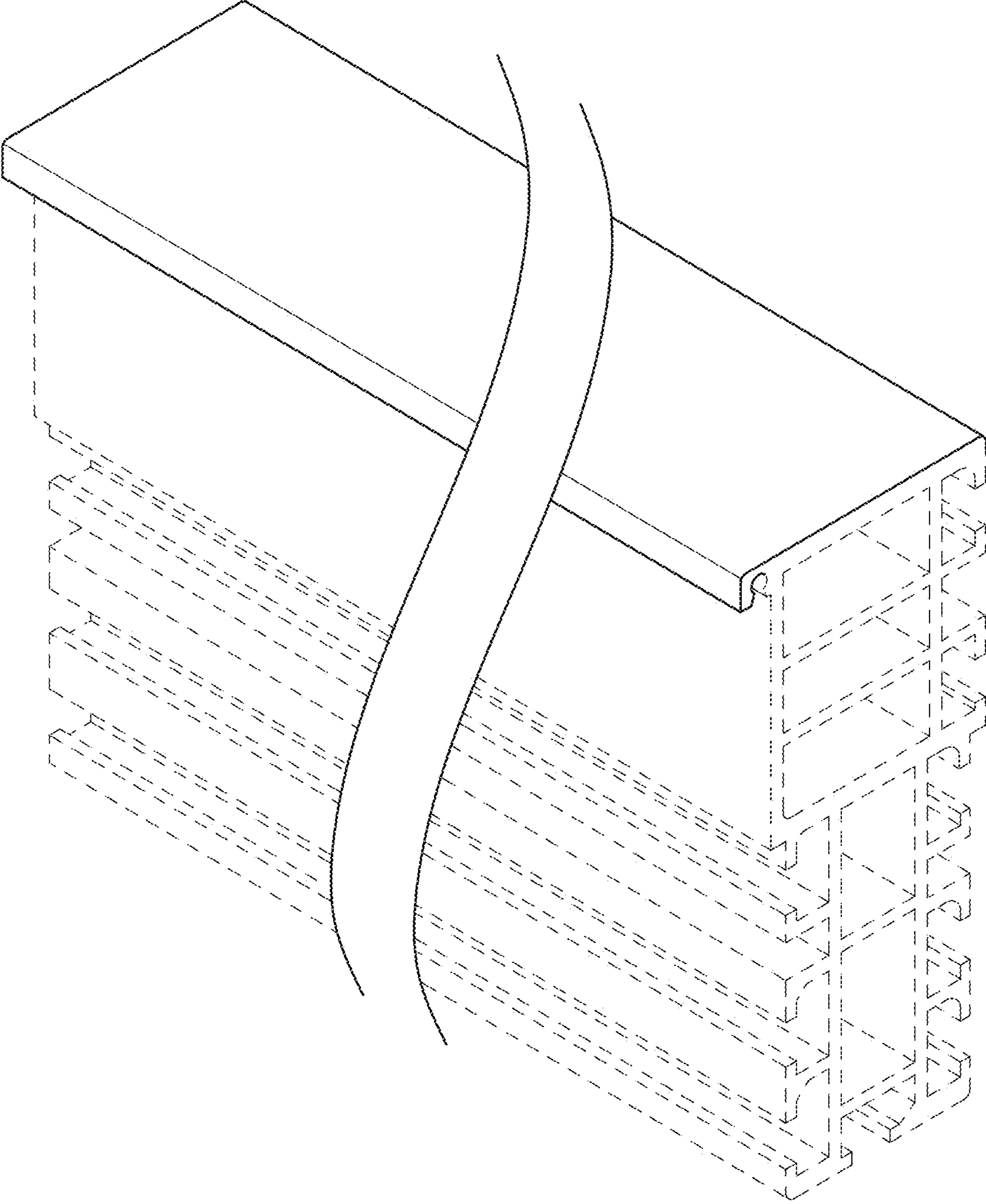


FIG. 2

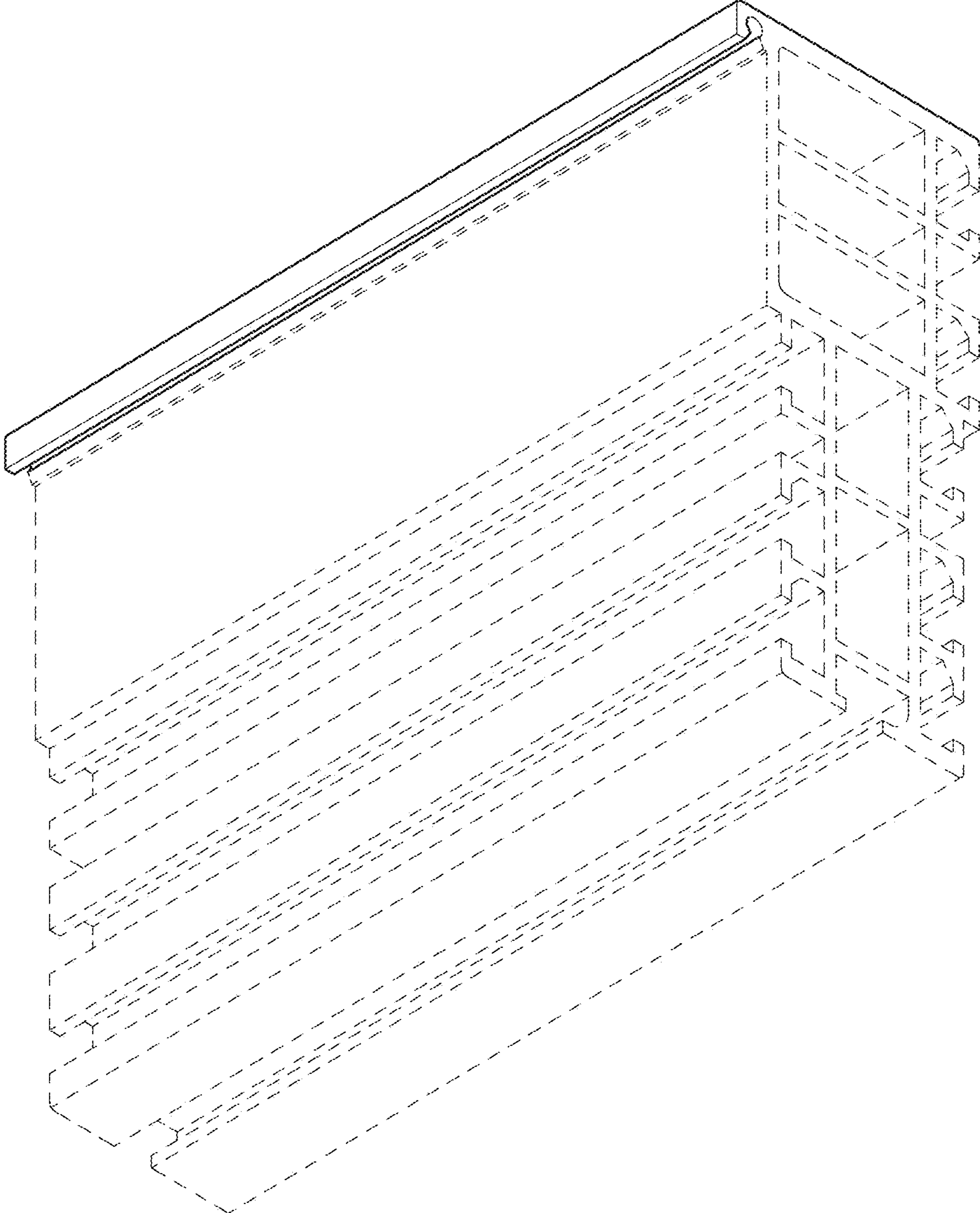


FIG. 3

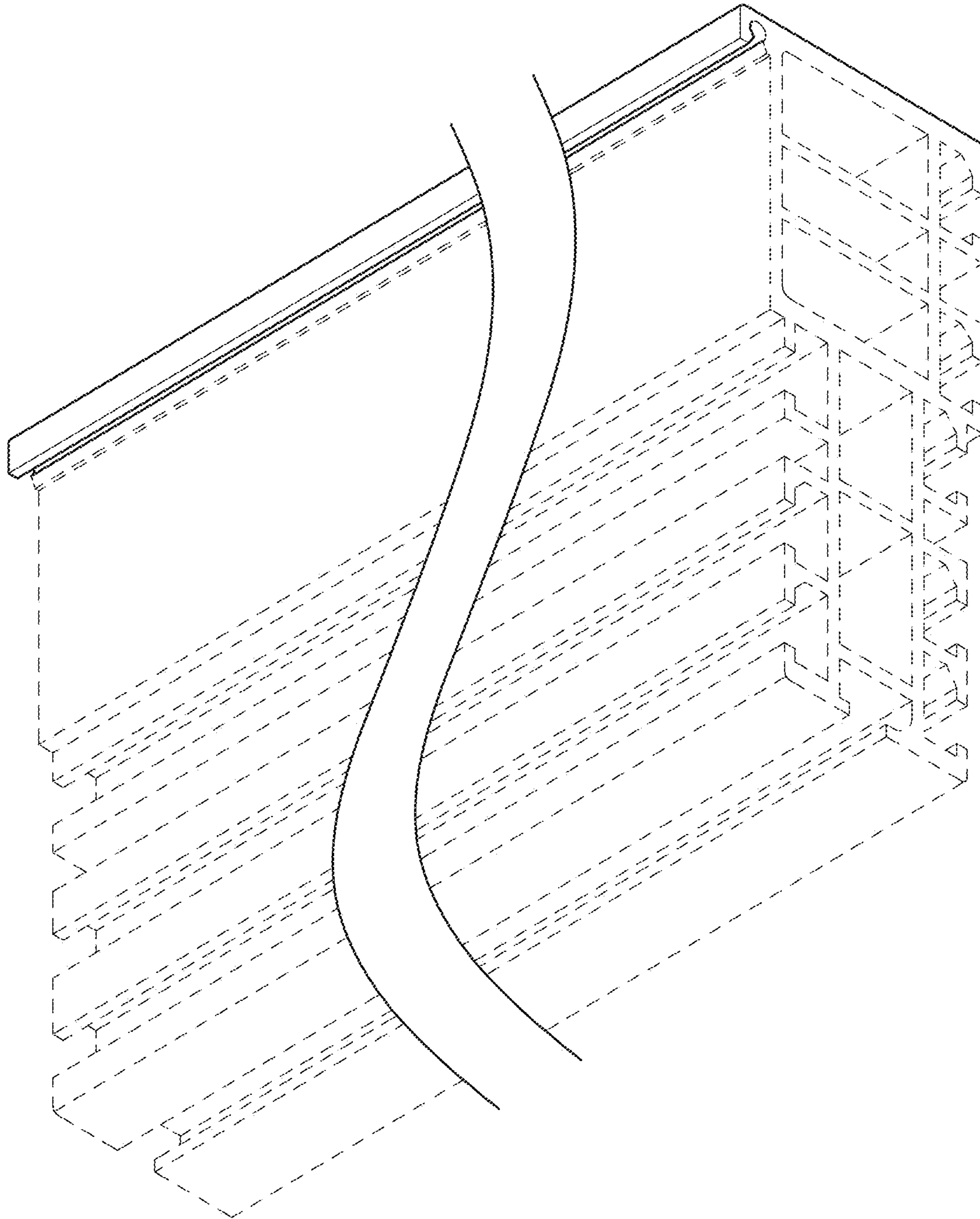


FIG. 4

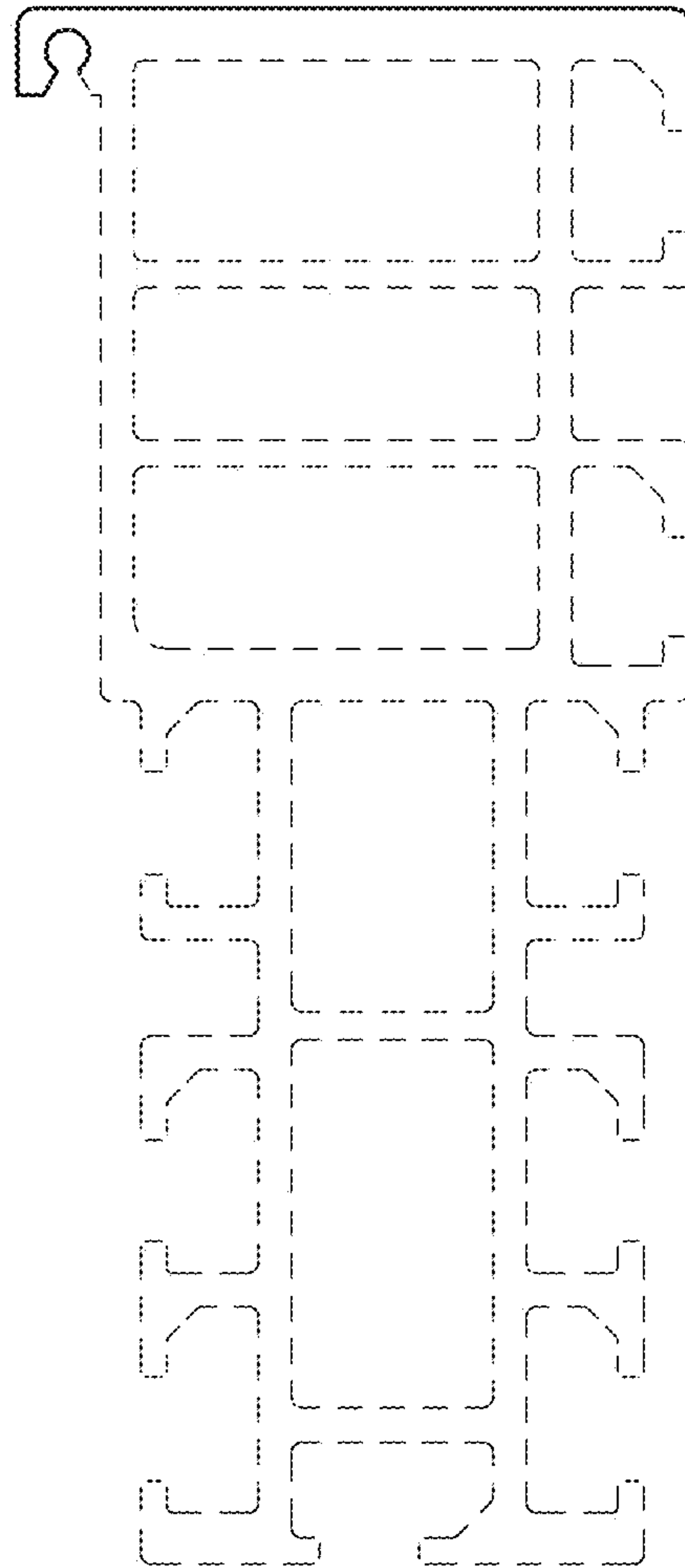


FIG. 5

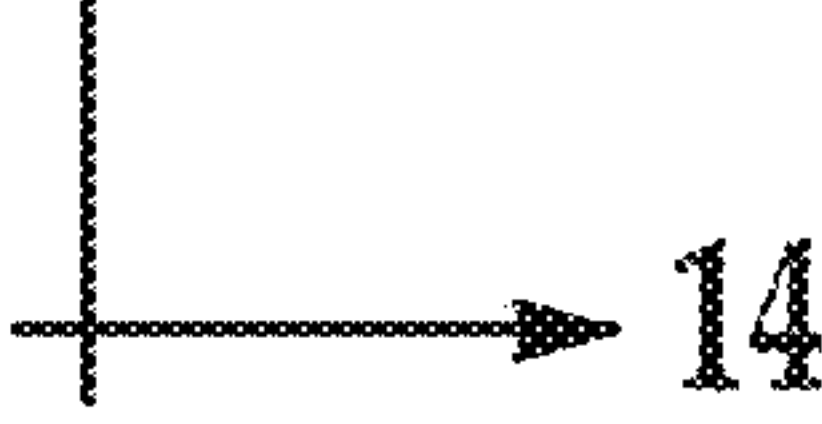
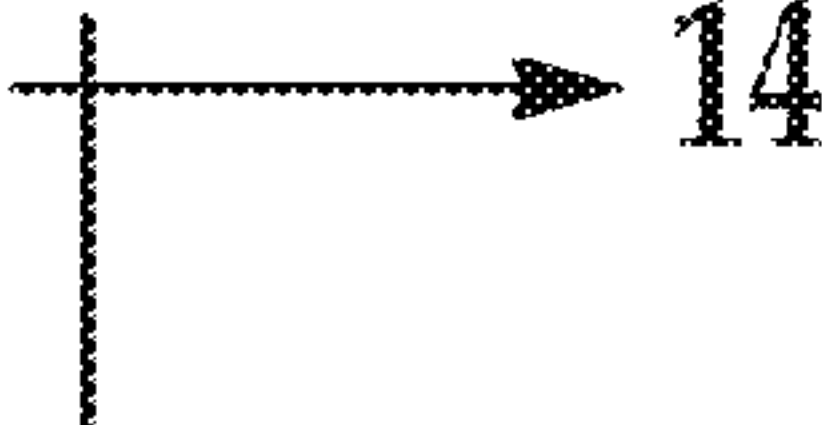


FIG. 6

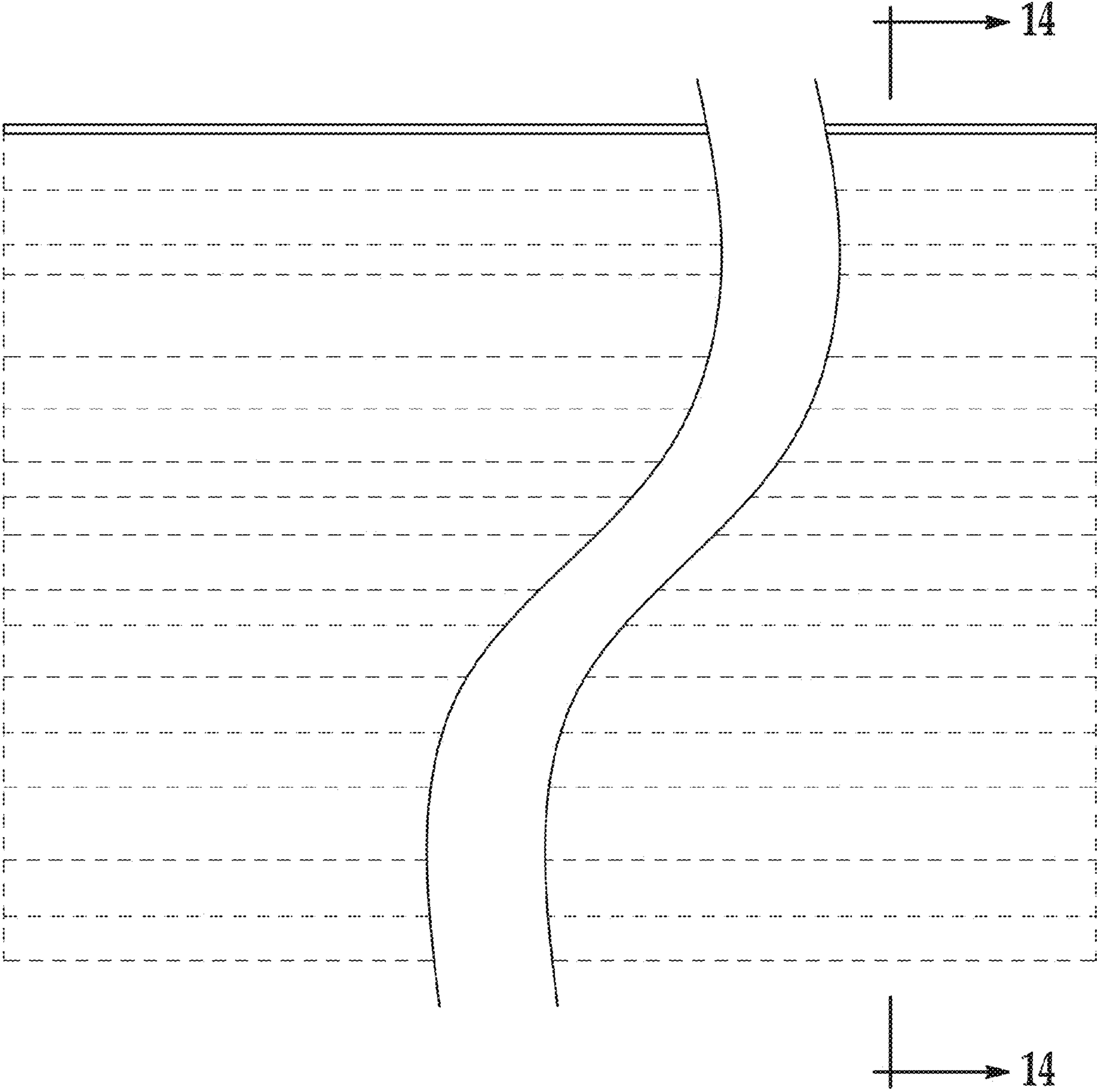


FIG. 7

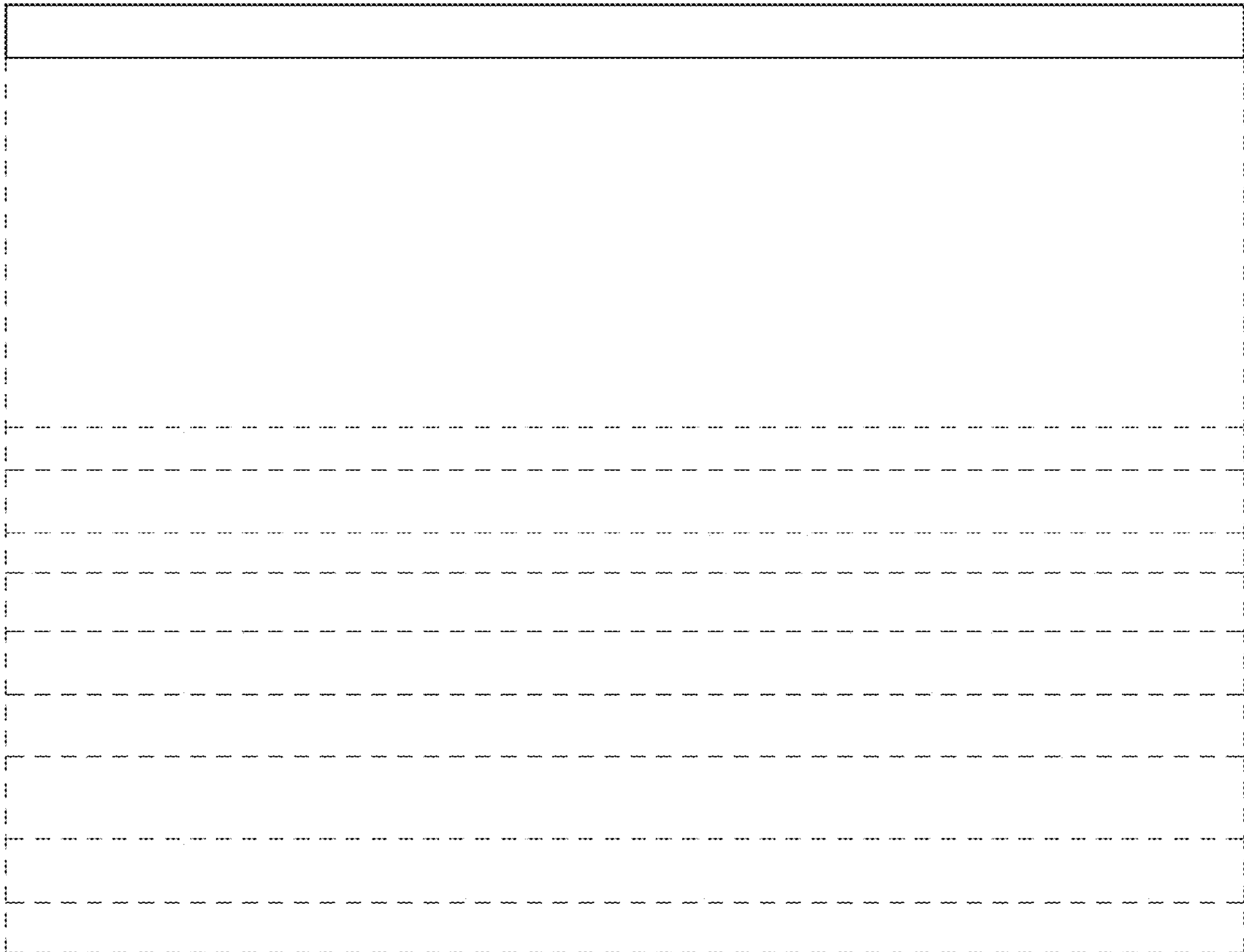


FIG. 8

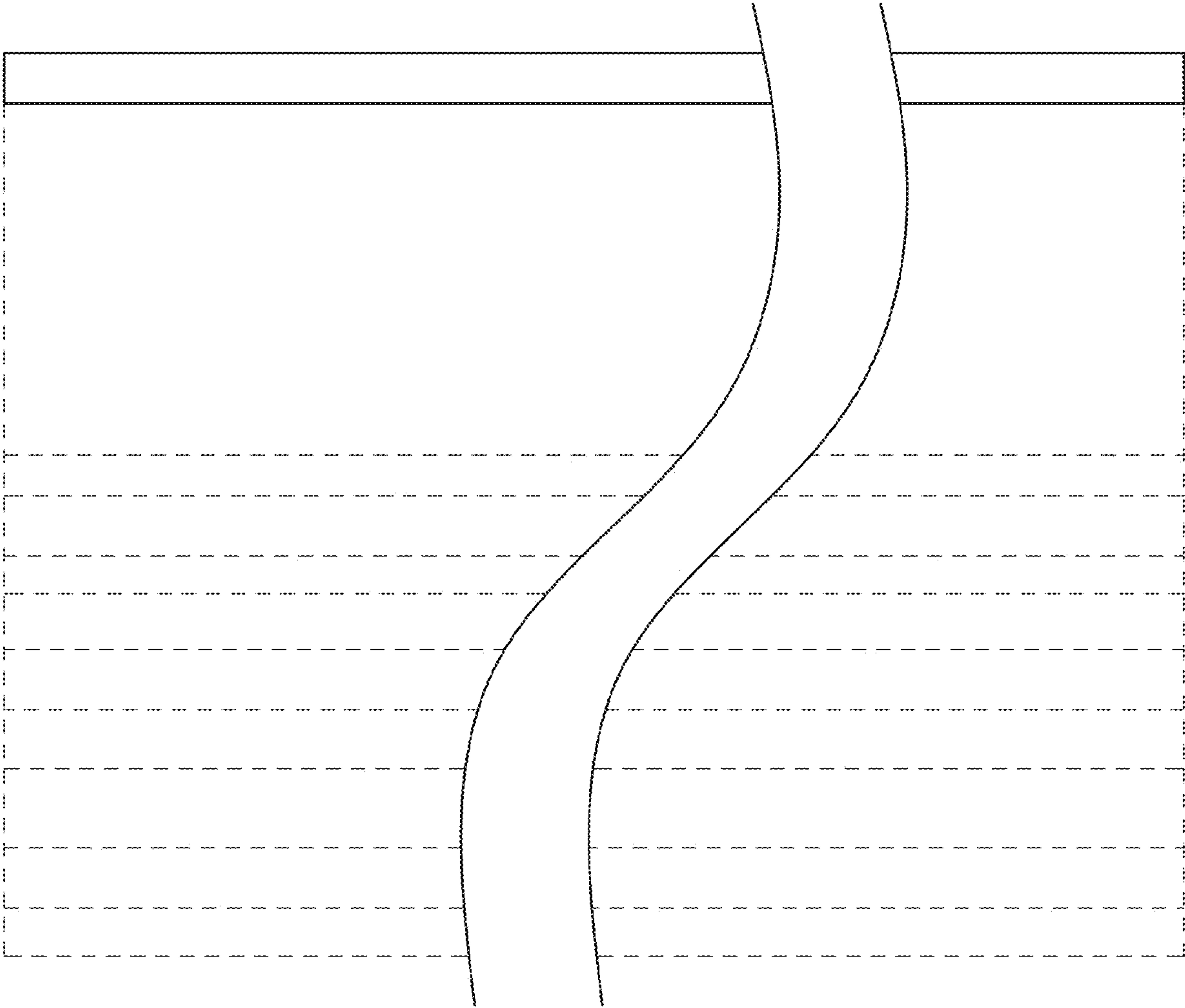


FIG. 9

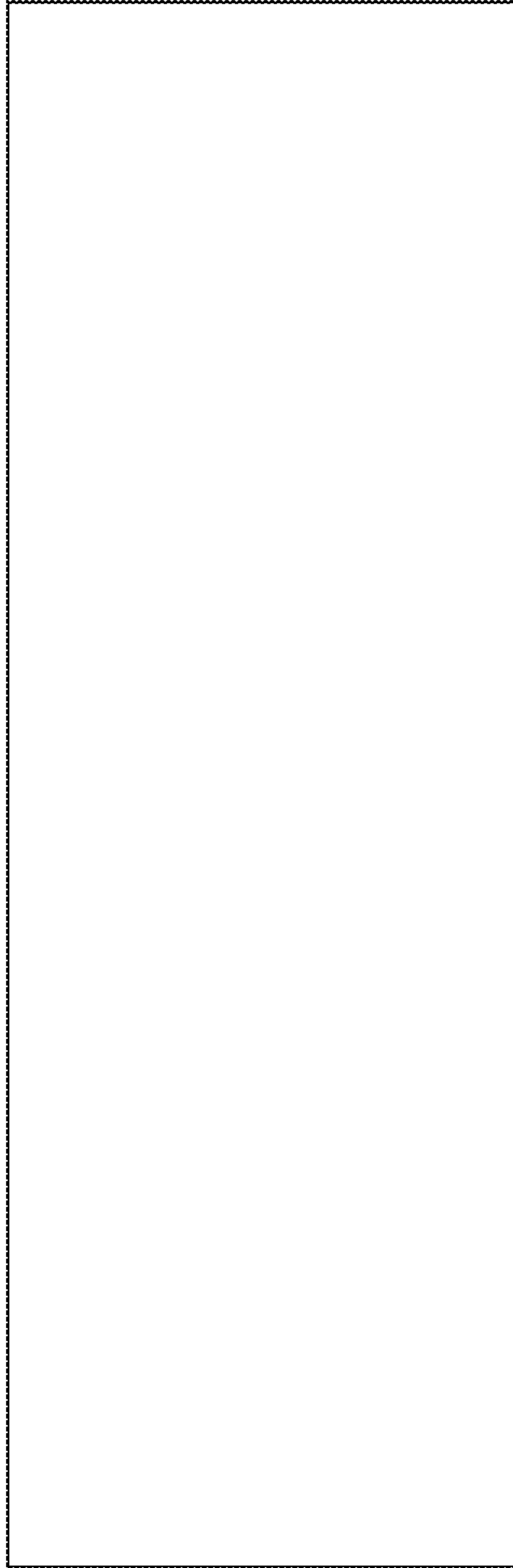


FIG. 10

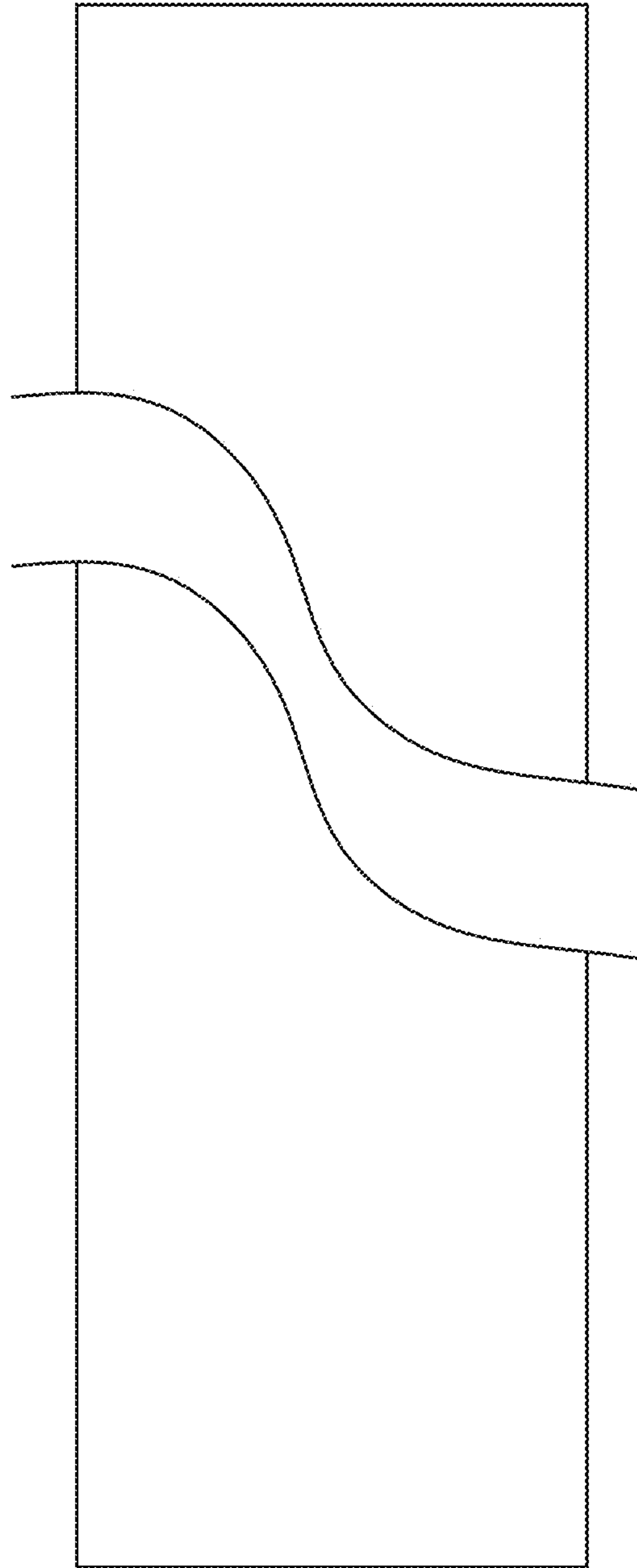


FIG. 11

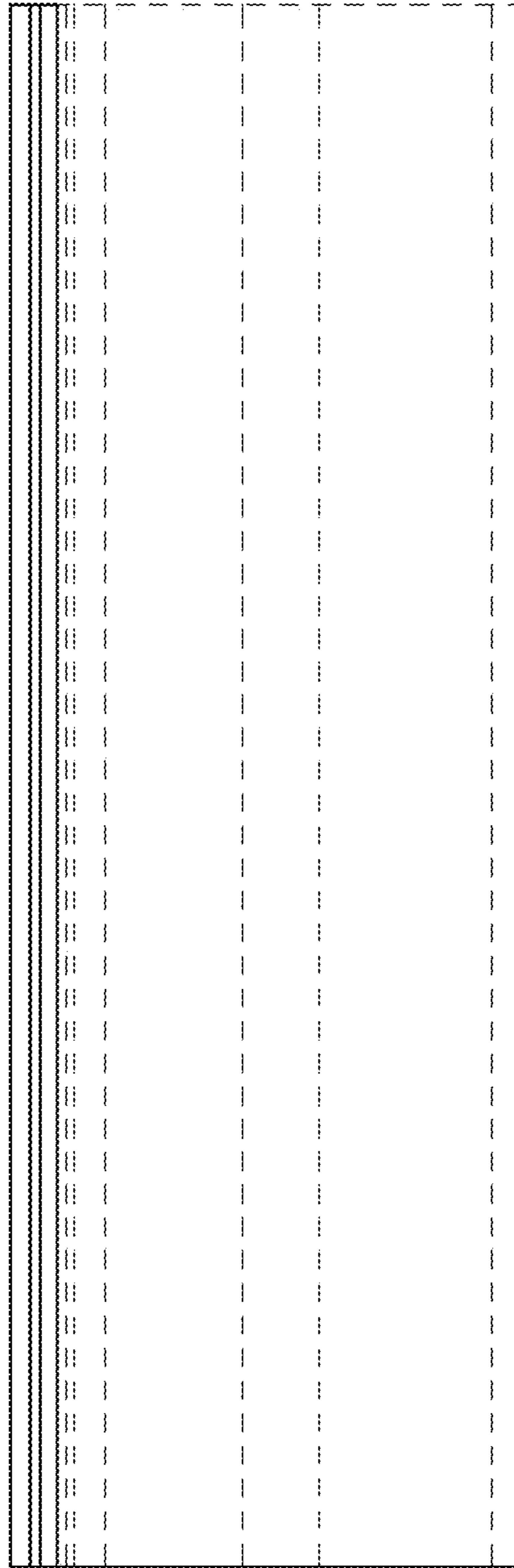


FIG. 12

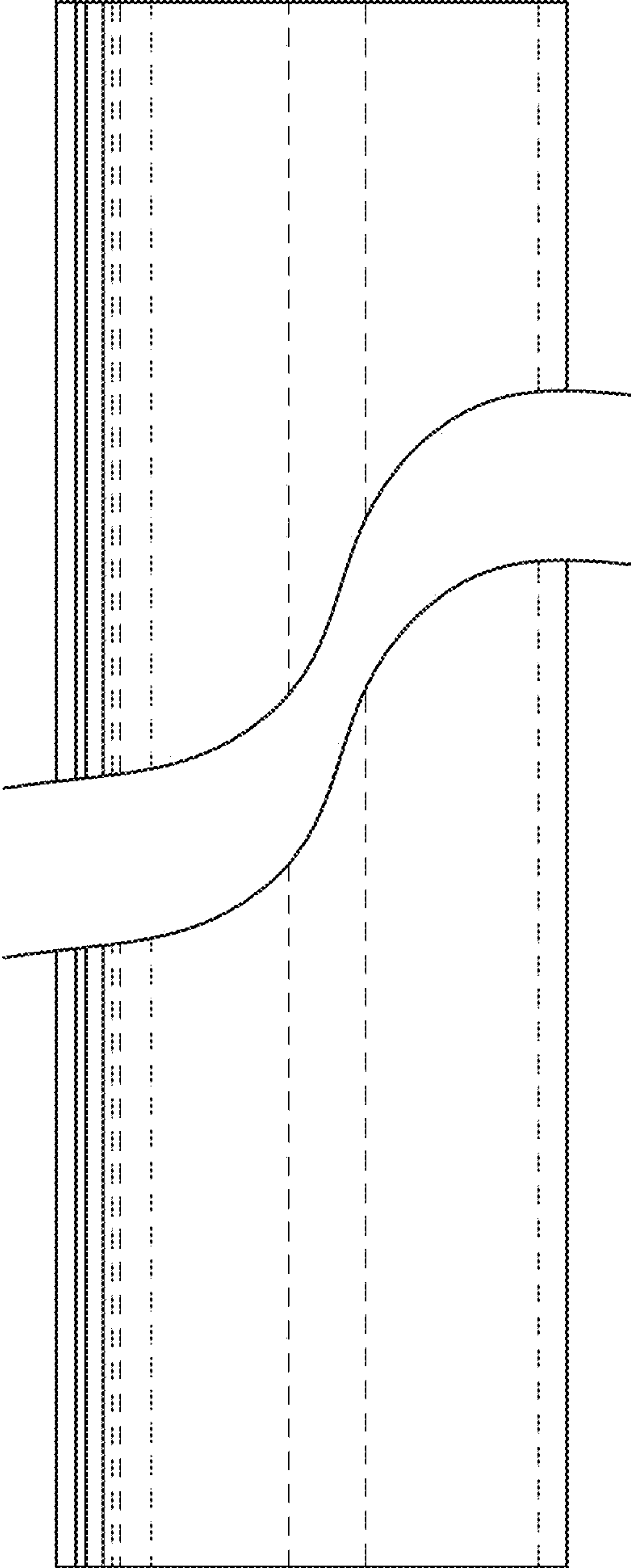


FIG. 13

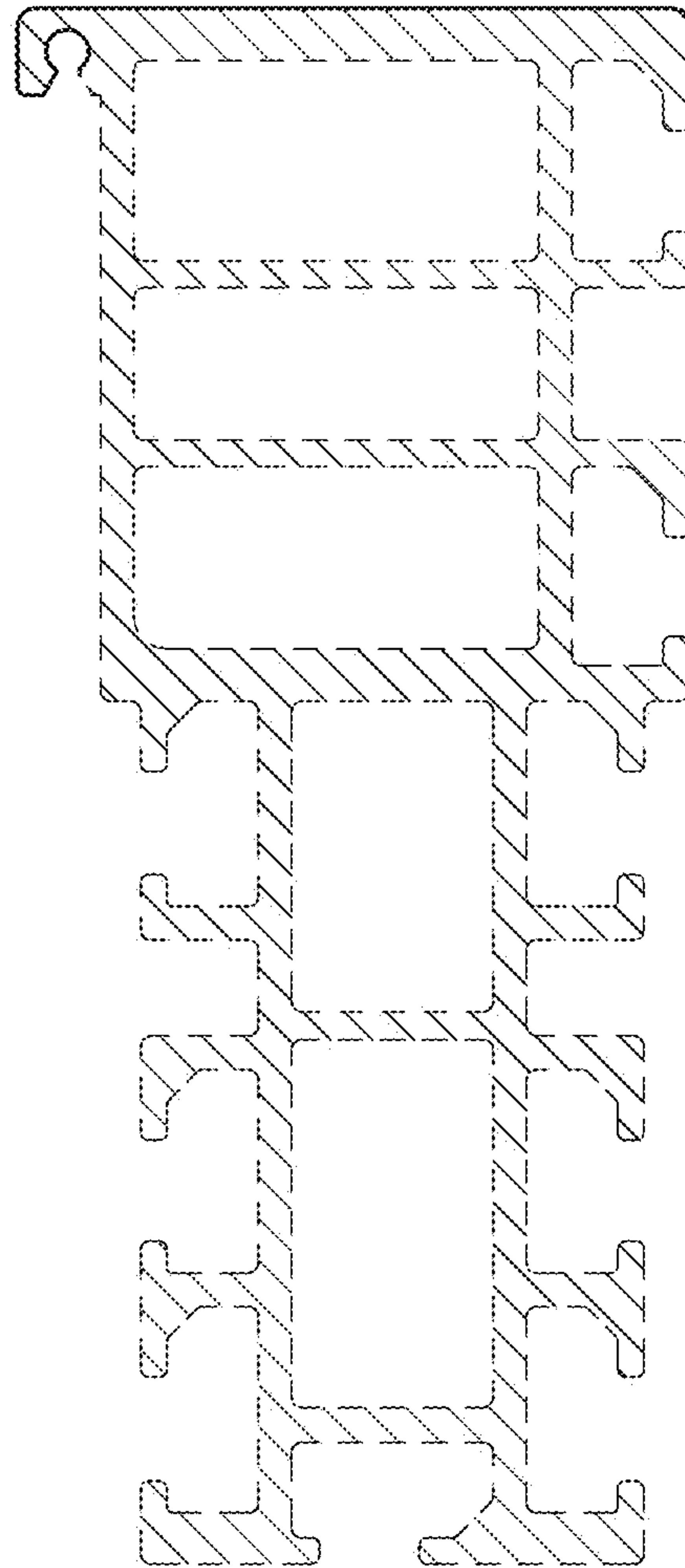


FIG. 14

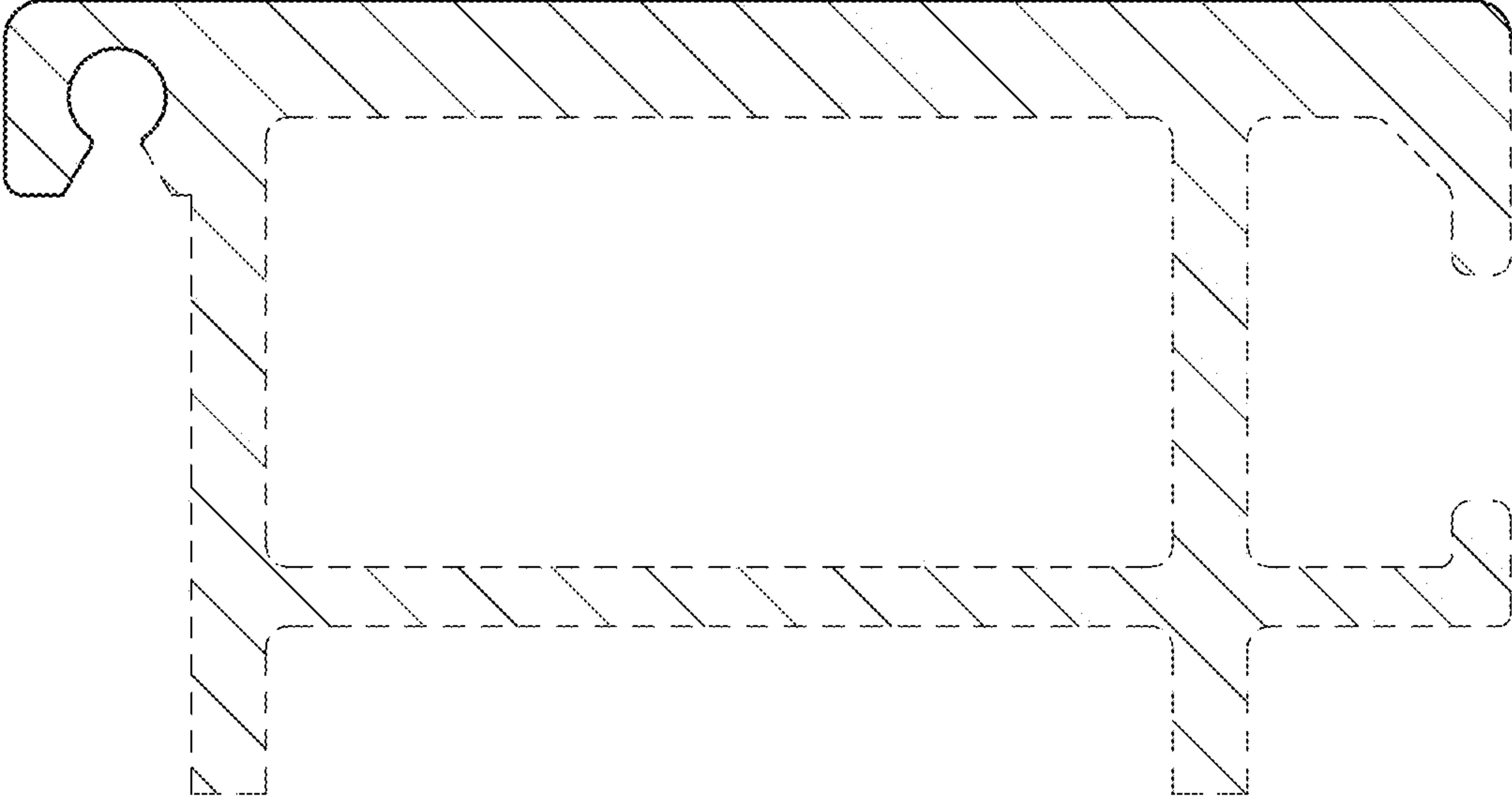


FIG. 15