



US00D923906S

(12) **United States Design Patent** (10) **Patent No.:** **US D923,906 S**
Fogg et al. (45) **Date of Patent:** **** Jun. 29, 2021**

(54) **WINCH**
(71) Applicant: **Tractor Supply Company**, Brentwood, TN (US)

(72) Inventors: **Christian D. Fogg**, Columbia, TN (US); **Brian Kenemer**, Chapel Hill, TN (US); **Ling Ye**, Jinhua (CN); **Xiang Feng**, Jinhua (CN); **Jianhao Zhu**, Jinhua (CN); **Hong Xu**, Jinhua (CN)

(73) Assignee: **Tractor Supply Company**, Nashville, TN (US)

(**) Term: **15 Years**

(21) Appl. No.: **29/720,337**

(22) Filed: **Jan. 12, 2020**

(51) **LOC (13) Cl.** **12-05**

(52) **U.S. Cl.**
USPC **D34/33**

(58) **Field of Classification Search**
USPC D34/28–39
CPC B66D 2700/00; B66D 1/12; B66D 1/00;
B66D 1/14; B66D 1/005; B66D 3/18;
B66D 3/20; B66D 5/34

See application file for complete search history.

(56) **References Cited**

U.S. PATENT DOCUMENTS

D799,143 S *	10/2017	Cui	D34/33
D799,144 S *	10/2017	Cui	D34/33
D815,386 S *	4/2018	August	D34/33
10,322,916 B2 *	6/2019	Cui	B66D 1/12
D898,321 S *	10/2020	Fretz	D34/33
D903,221 S *	11/2020	Feng	D34/33
D906,624 S *	12/2020	Wilcox	D34/33
2014/0001427 A1 *	1/2014	Fretz	B66D 1/02 254/342

2016/0096709 A1 *	4/2016	Averill	B66D 1/12 254/267
2018/0118528 A1 *	5/2018	August	H05K 7/1432
2019/0092608 A1 *	3/2019	Cui	B66D 1/225

OTHER PUBLICATIONS

Tractor Supply, announced Sep. 2020 [online], [site visited Jan. 26, 2021], Available from internet, URL: https://www.tractorsupply.com/tsc/product/traveller-10-000-lb-synthetic-rope-winch-ewv10000fsr?cm_vc=-10005 (Year: 2020).*

China Des. Pat. 201930057422 .6 filed Jan. 31, 2019, issued Jul. 9, 2019 (9,000 LB Winch).

China Des. Pat. 201930057828 .4 filed Jan. 31, 2019, issued Jul. 9, 2019 (12,000 LB Winch).

China Des. Pat. 201930057408 .6 filed Jan. 31, 2019, issued Jul. 9, 2019 (10,000 LB Winch).

(Continued)

Primary Examiner — Kevin K Rudzinski

Assistant Examiner — Tamara L Hahn

(74) *Attorney, Agent, or Firm* — Lucian Wayne Beavers; Patterson Intellectual Property Law, PC

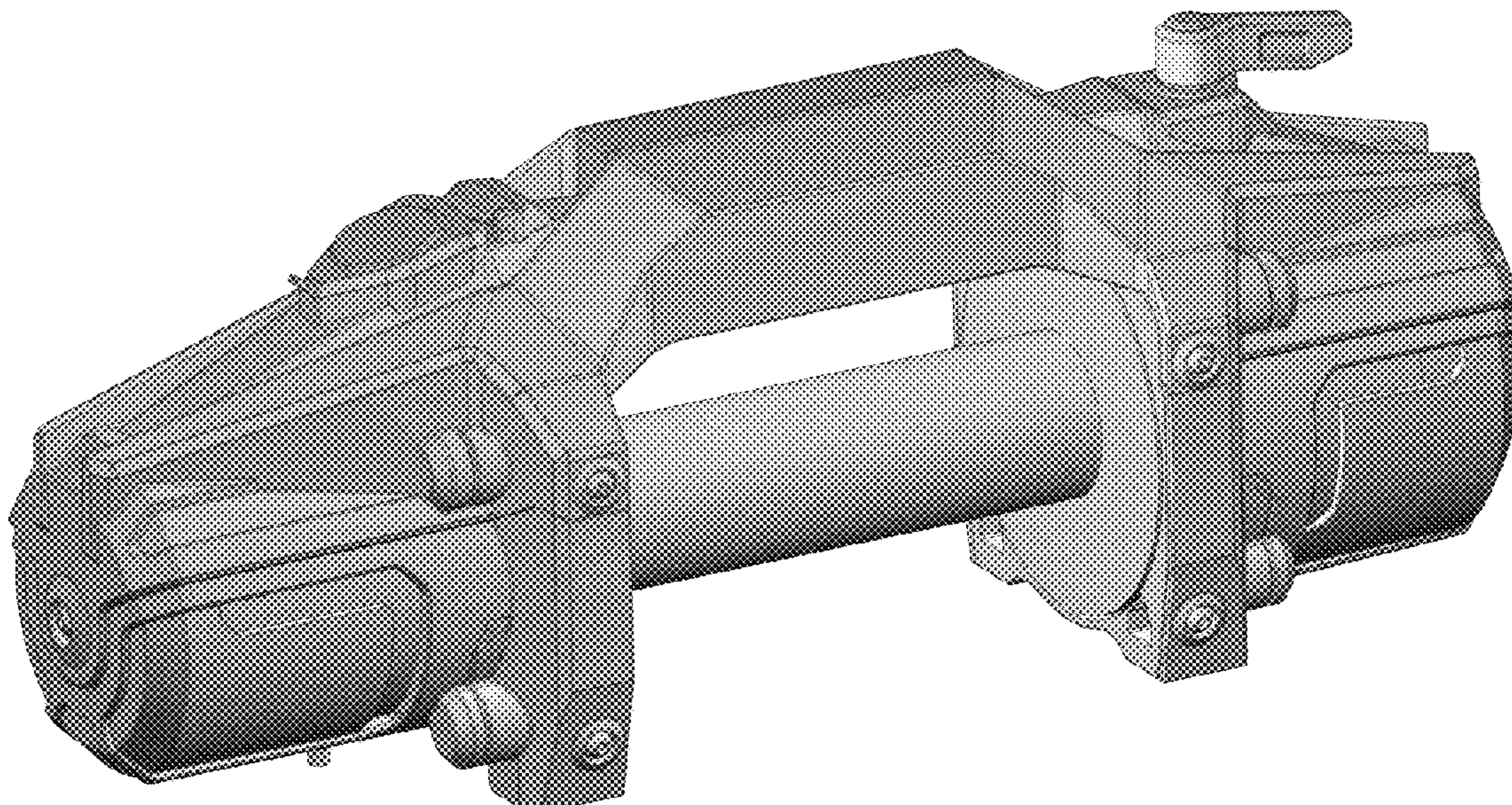
(57) **CLAIM**

What is claimed is the ornamental design for a winch, as shown and described.

DESCRIPTION

FIG. 1 is a front elevation view of the winch.
FIG. 2 is a rear elevation view of the winch of FIG. 1.
FIG. 3 is a left end elevation view of the winch of FIG. 1.
FIG. 4 is a right end elevation view of the winch of FIG. 1.
FIG. 5 is a top view of the winch of FIG. 1.
FIG. 6 is a bottom view of the winch of FIG. 1; and,
FIG. 7 is a front perspective view of the winch of FIG. 1.
The broken lines of FIG. 6 are portions of the winch and form no part of the claimed design.

1 Claim, 7 Drawing Sheets



(56)

References Cited

OTHER PUBLICATIONS

China Des. Pat. 201930412487 .8 filed Jul. 31, 2019, issued Mar. 24, 2020 (6,000 LB Winch).

Co-pending U.S. Appl. No. 29/704,870 filed Sep. 8, 2019 (6,000 LB Winch).

* cited by examiner

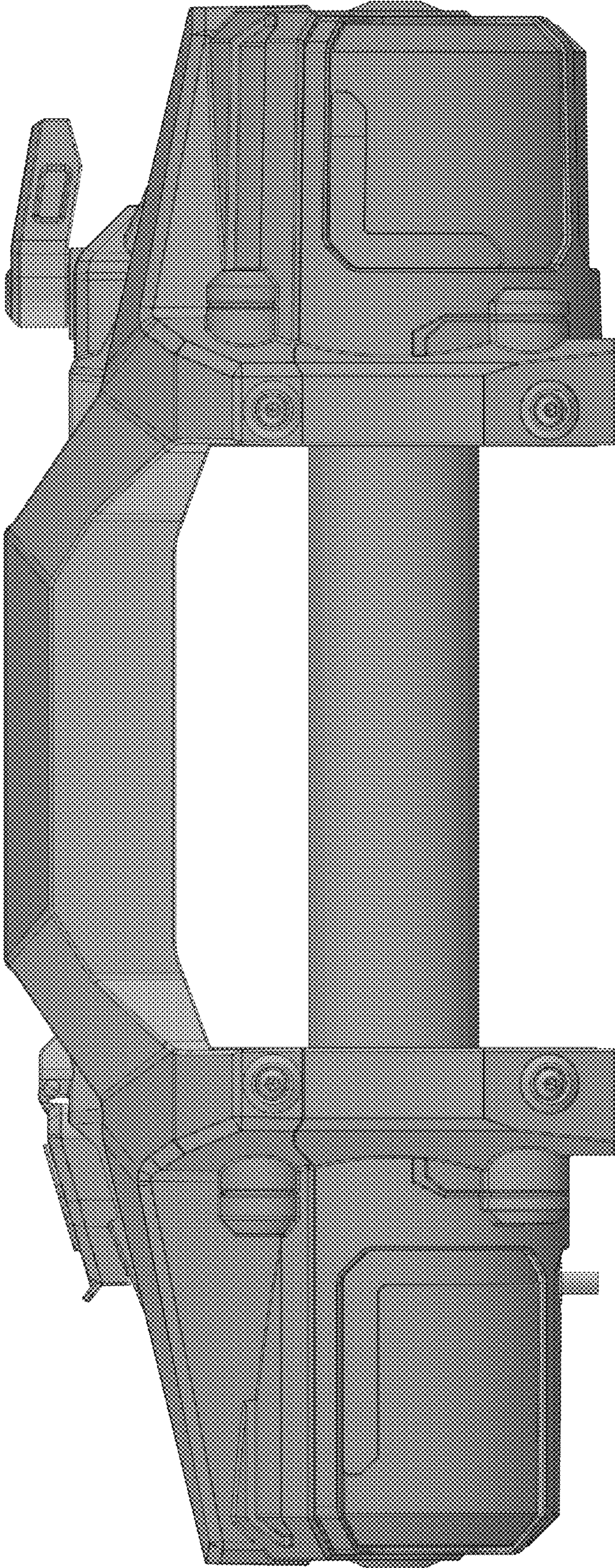


FIG. 1

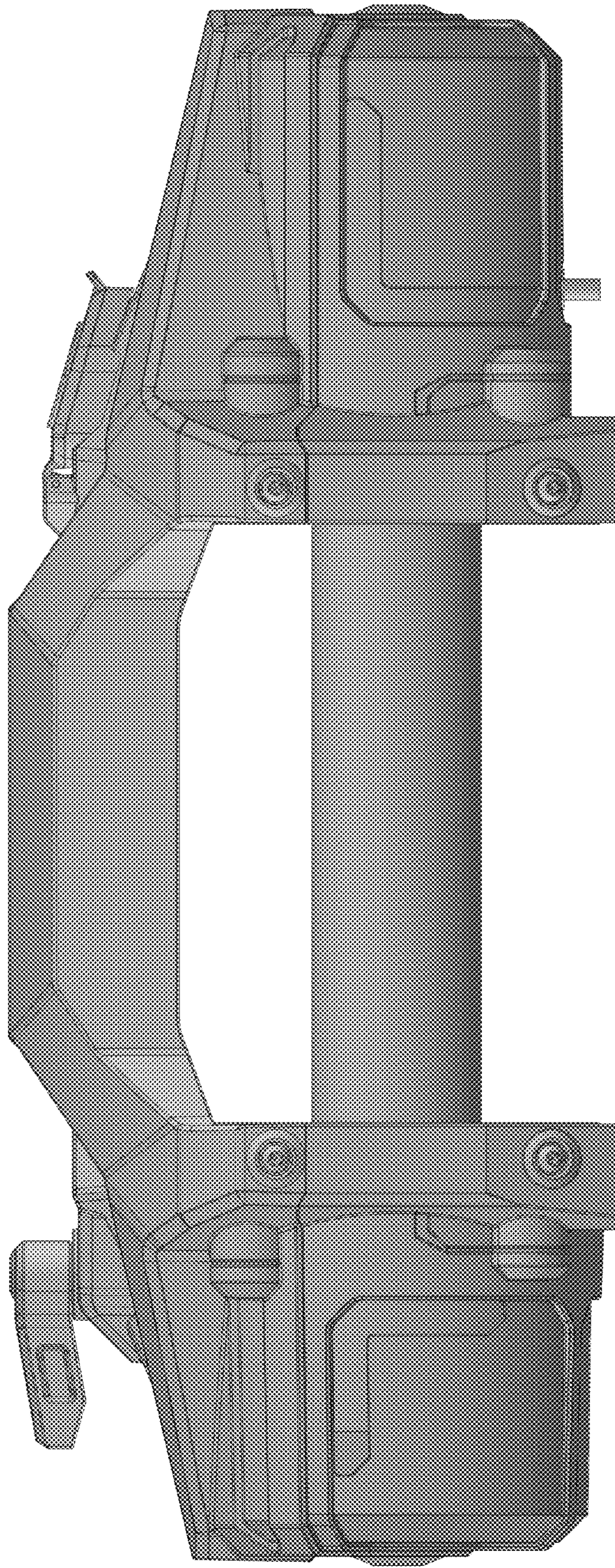


FIG. 2

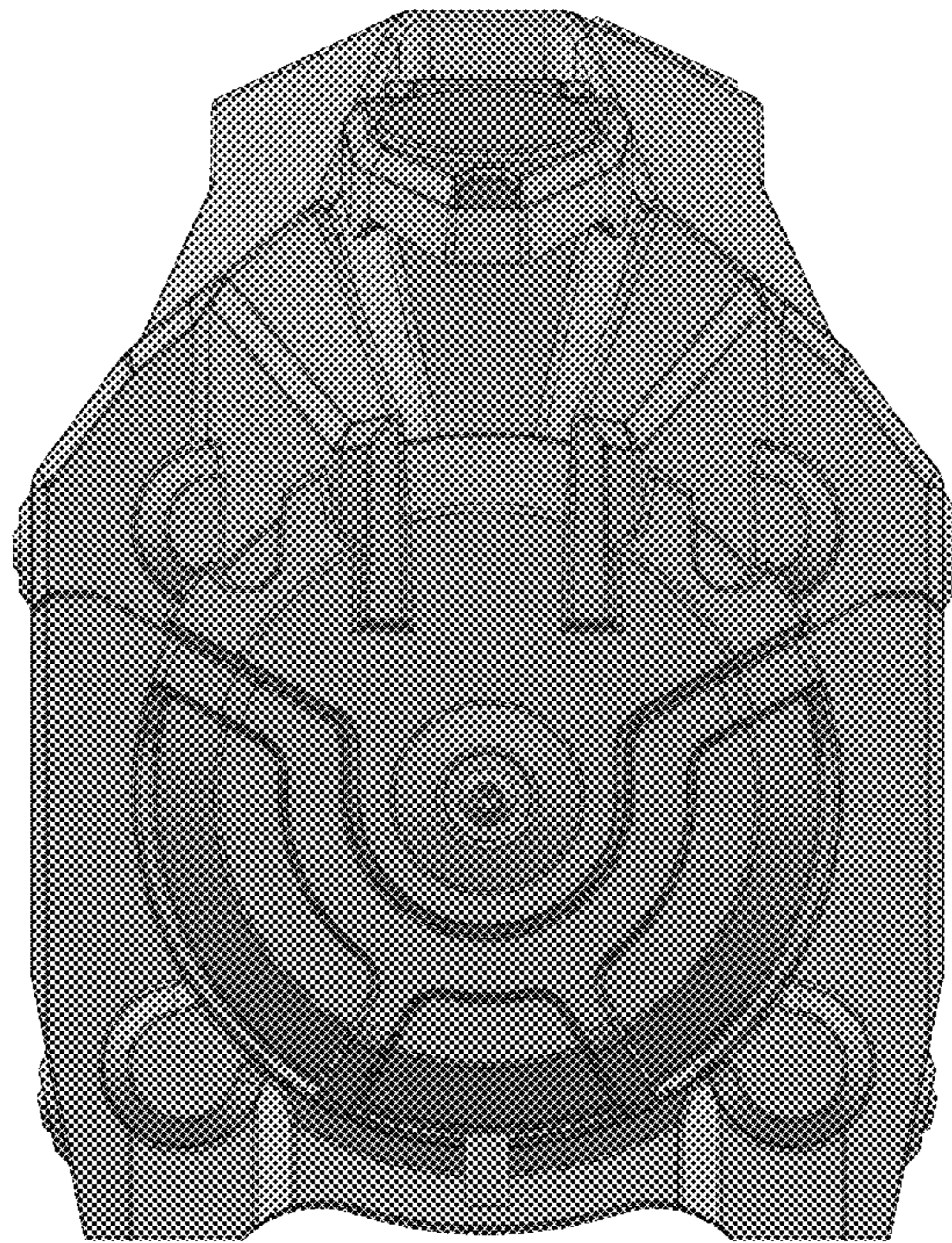


FIG. 3

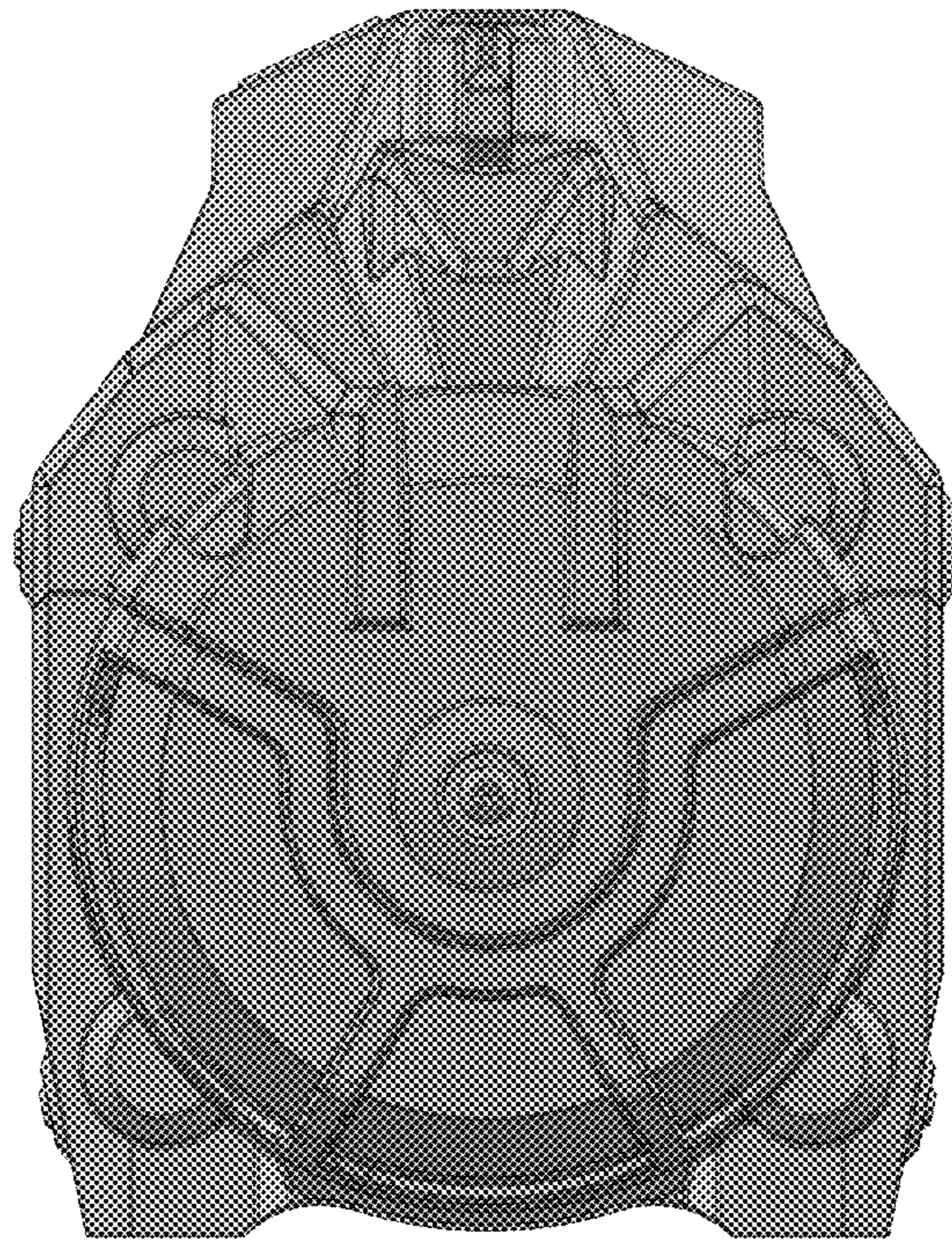


FIG. 4

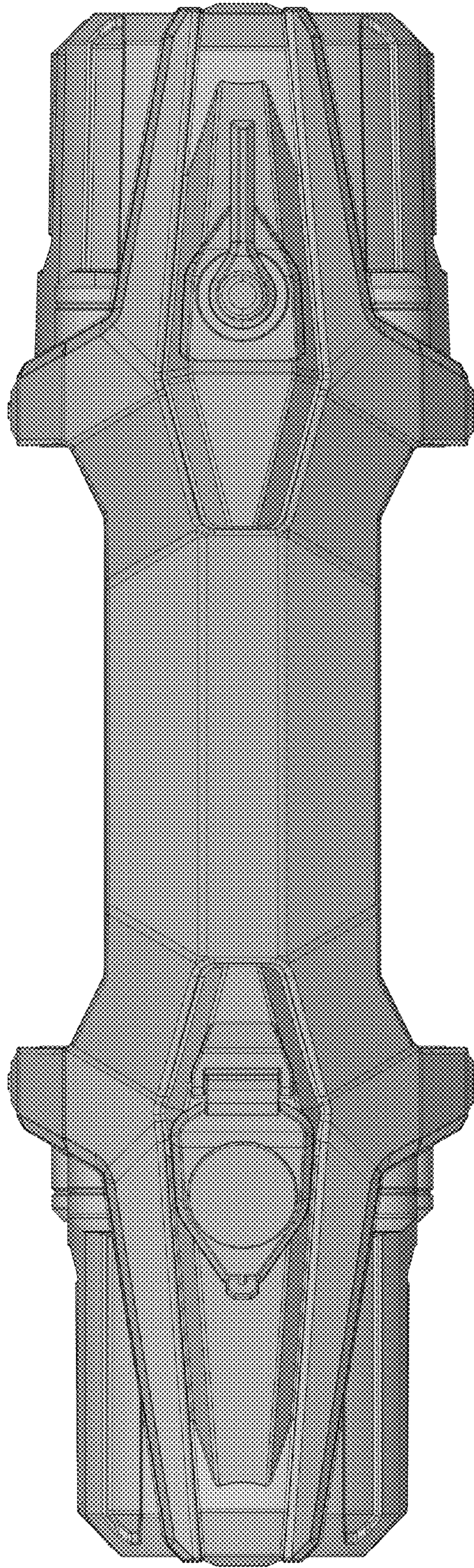


FIG. 5

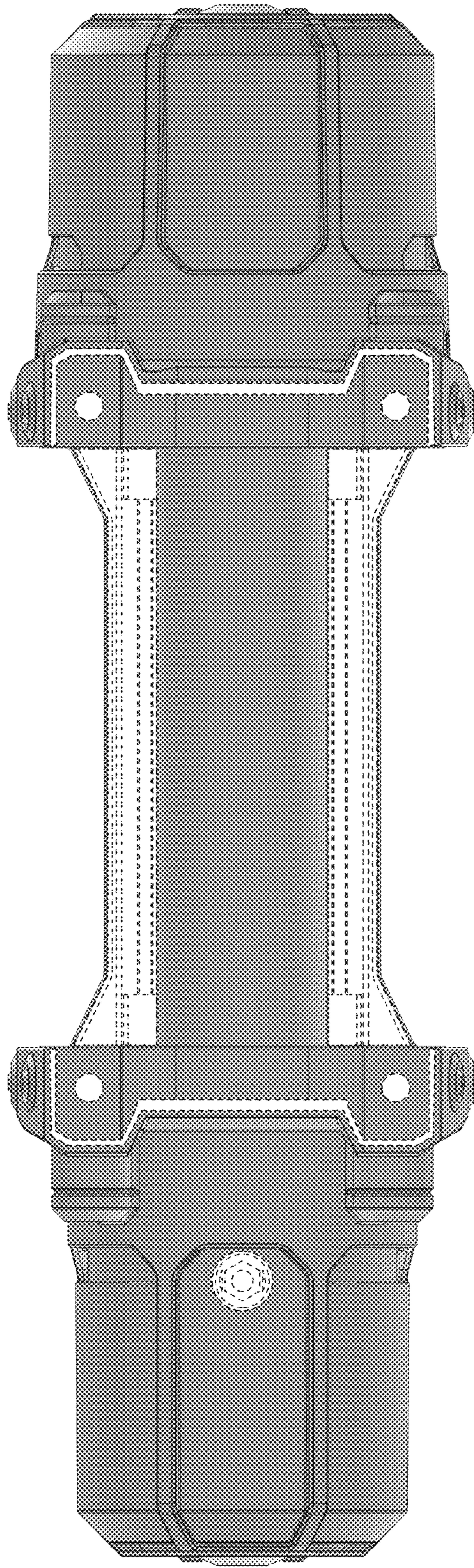


FIG. 6

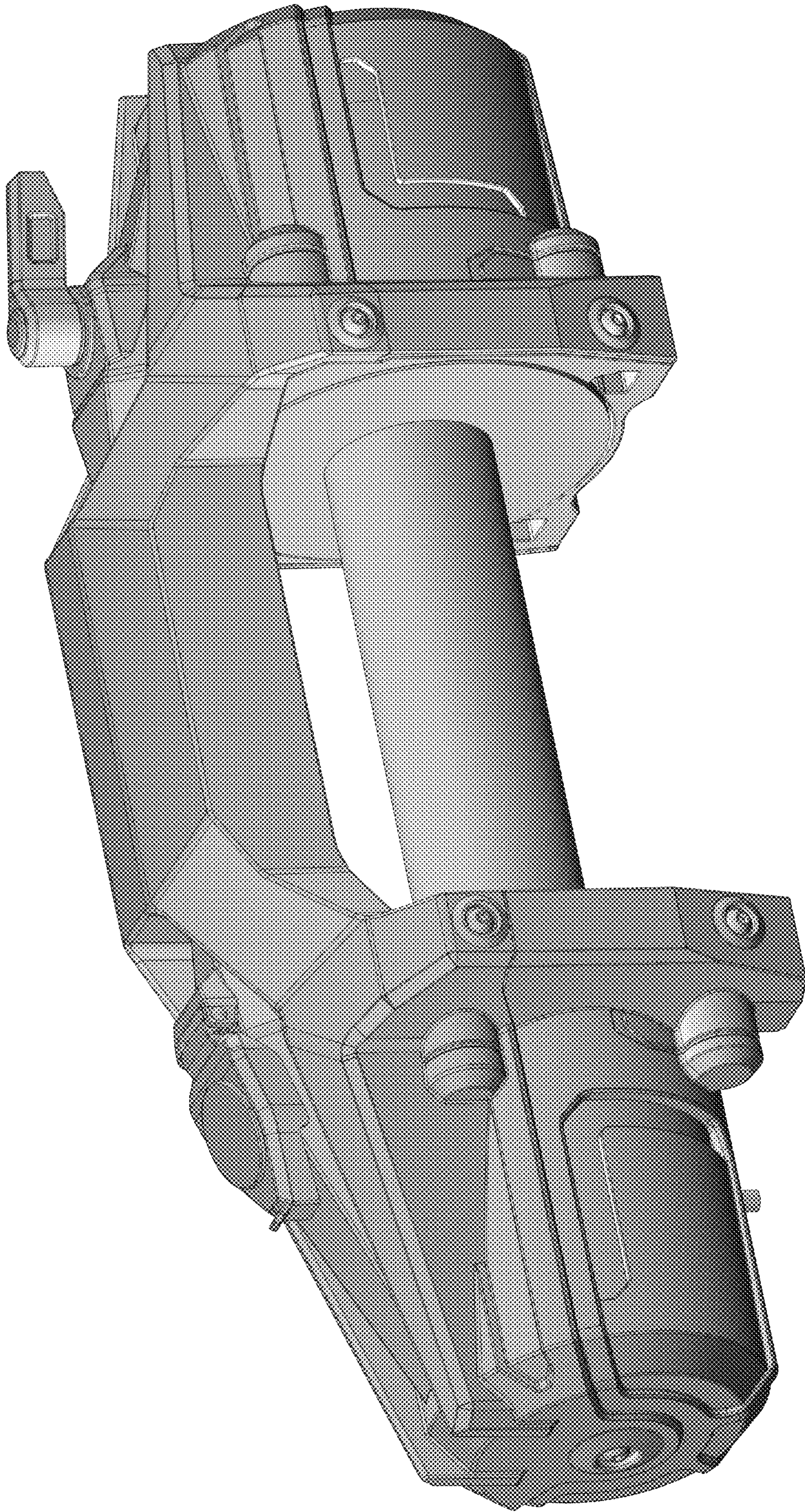


FIG. 7