



US00D923903S

(12) **United States Design Patent** (10) **Patent No.:** **US D923,903 S**
Shane et al. (45) **Date of Patent:** **** Jun. 29, 2021**

(54) **DECONTAMINATION CART**

(71) Applicant: **TOMI Environmental Solutions, Inc.**,
Frederick, MD (US)

(72) Inventors: **Halden Stuart Shane**, Beverly Hills,
CA (US); **Johnny Sullivan Cato**,
Lynwood, CA (US); **Ben James Flyr**,
Columbia, MD (US); **Heather**
Guzman, Frederick, MD (US); **Elissa**
Shane, Bethesda, MD (US)

(73) Assignee: **TOMI ENVIRONMENTAL**
SOLUTIONS, INC., Frederick, MD
(US)

(**) Term: **15 Years**

(21) Appl. No.: **29/693,516**

(22) Filed: **Jun. 3, 2019**

(51) **LOC (13) Cl.** **12-02**

(52) **U.S. Cl.**
USPC **D34/19**

(58) **Field of Classification Search**
USPC D34/12-27; D32/1
CPC A47B 2031/002; B67D 2210/00133; B62B
7/044; B62B 2205/00; B62B 3/02; B62B
3/022; B62B 5/026; B62B 1/12; B62B
7/12; B62B 1/00; B62B 1/10; B62B
1/264; B62B 1/14; B62B 1/047; B62B
1/04; B62B 3/005; B62B 3/004; B62B
3/027; B62B 3/04

See application file for complete search history.

(56) **References Cited**

U.S. PATENT DOCUMENTS

D145,897 S *	11/1946	Hathaway	D7/334
D196,794 S *	11/1963	Gackl	D24/232
3,275,393 A *	9/1966	Conklin	A47J 39/006
				312/403
D493,593 S *	7/2004	Anderson	D34/14
D819,902 S *	6/2018	Leckrone	D32/1
D889,061 S *	6/2020	Contell	D34/14

* cited by examiner

Primary Examiner — Cynthia Ramirez
(74) *Attorney, Agent, or Firm* — Ping Wang; Morris,
Manning & Martin LLP

(57) **CLAIM**

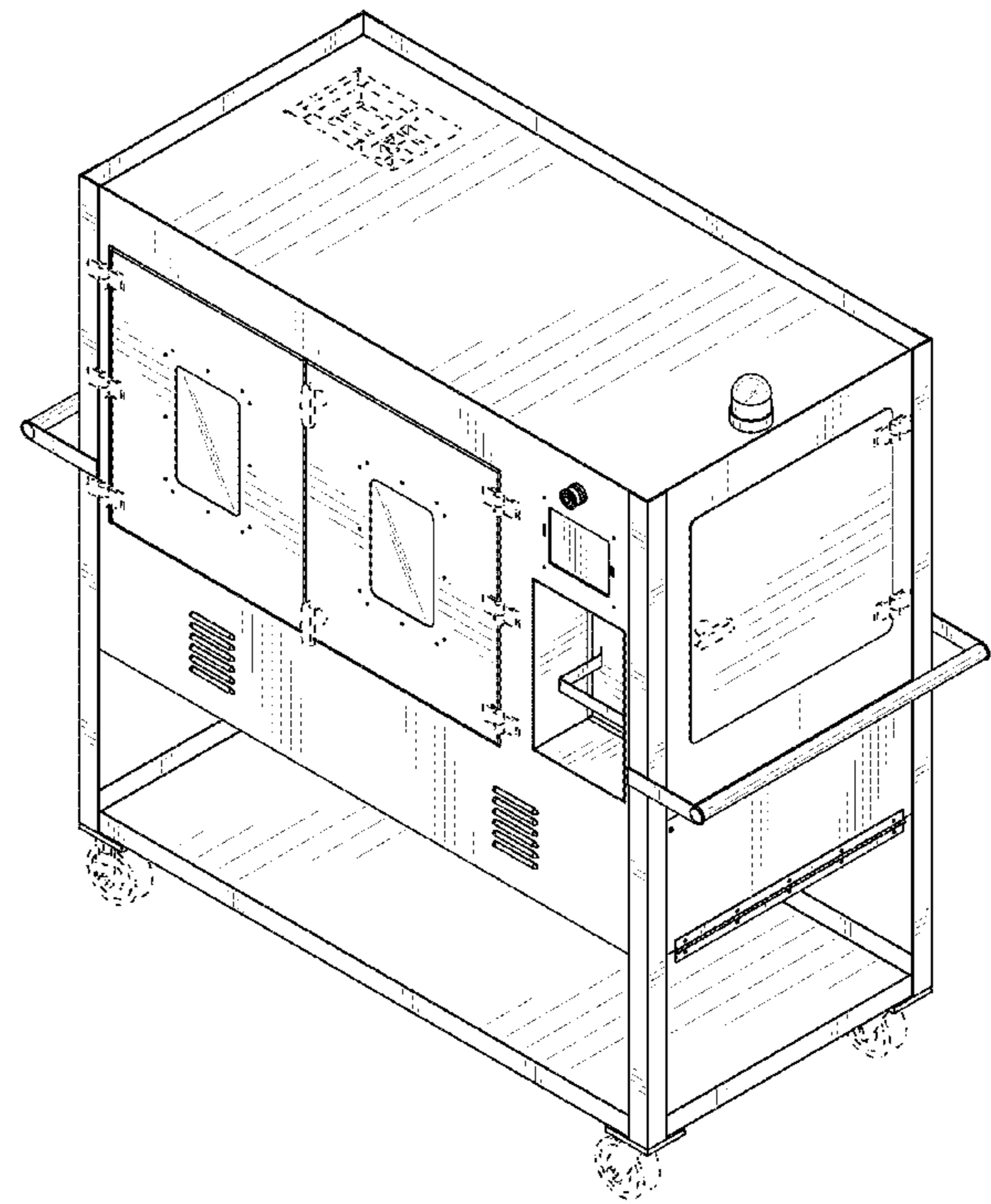
The ornamental design for a decontamination cart, as shown and described.

DESCRIPTION

FIG. 1 is a front perspective view of a decontamination cart in accordance with the present invention;
FIG. 2 is a front alternate perspective view thereof;
FIG. 3 is a rear perspective view thereof;
FIG. 4 is a rear alternate perspective view thereof;
FIG. 5 is a front view thereof;
FIG. 6 is a top view thereof;
FIG. 7 is a bottom view thereof;
FIG. 8 is a left view thereof;
FIG. 9 is a right view thereof; and,
FIG. 10 is a rearview thereof.

The broken lines shown in the drawings represent portions of the decontamination cart which form no part of the claimed design.

1 Claim, 10 Drawing Sheets



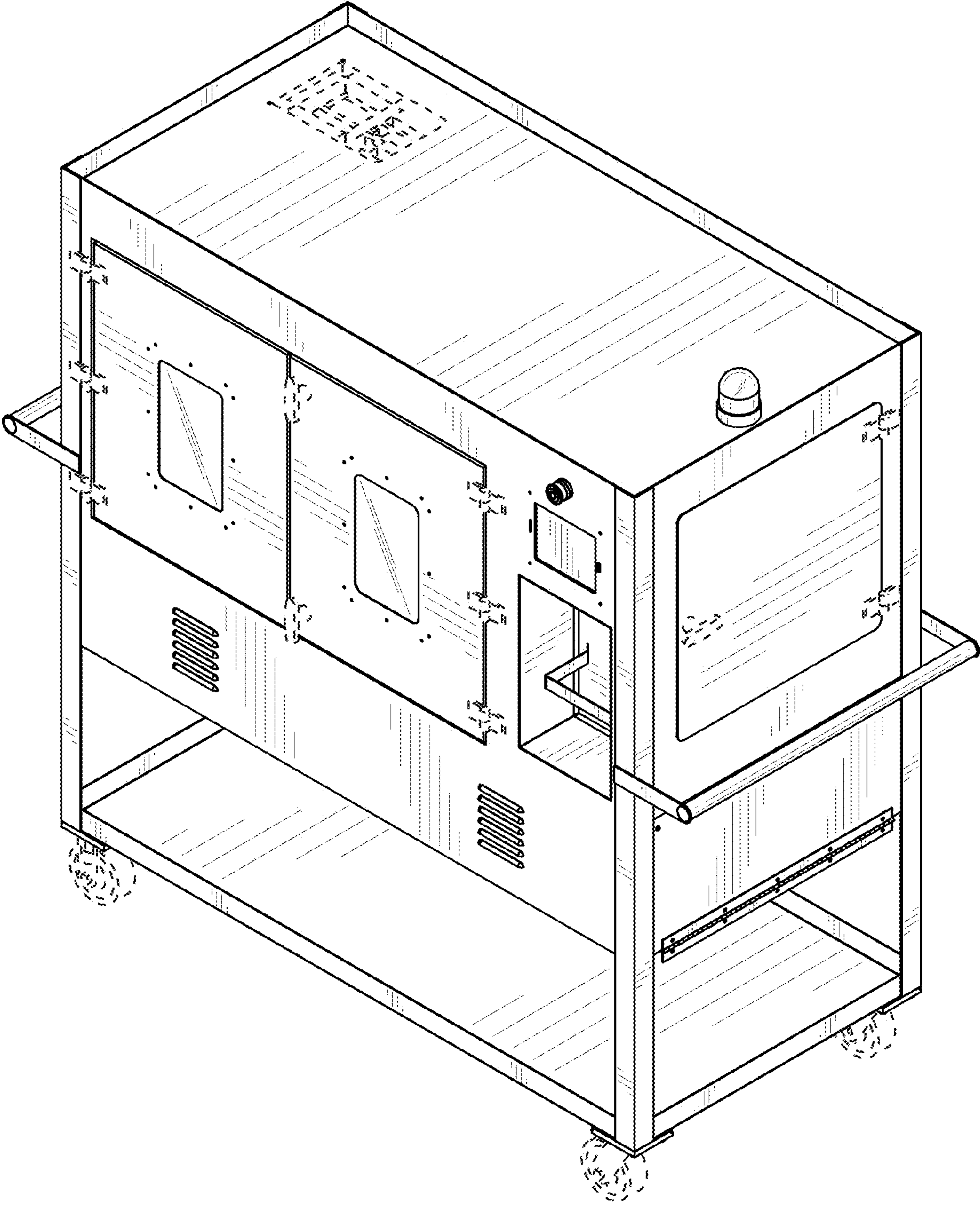


FIG. 1

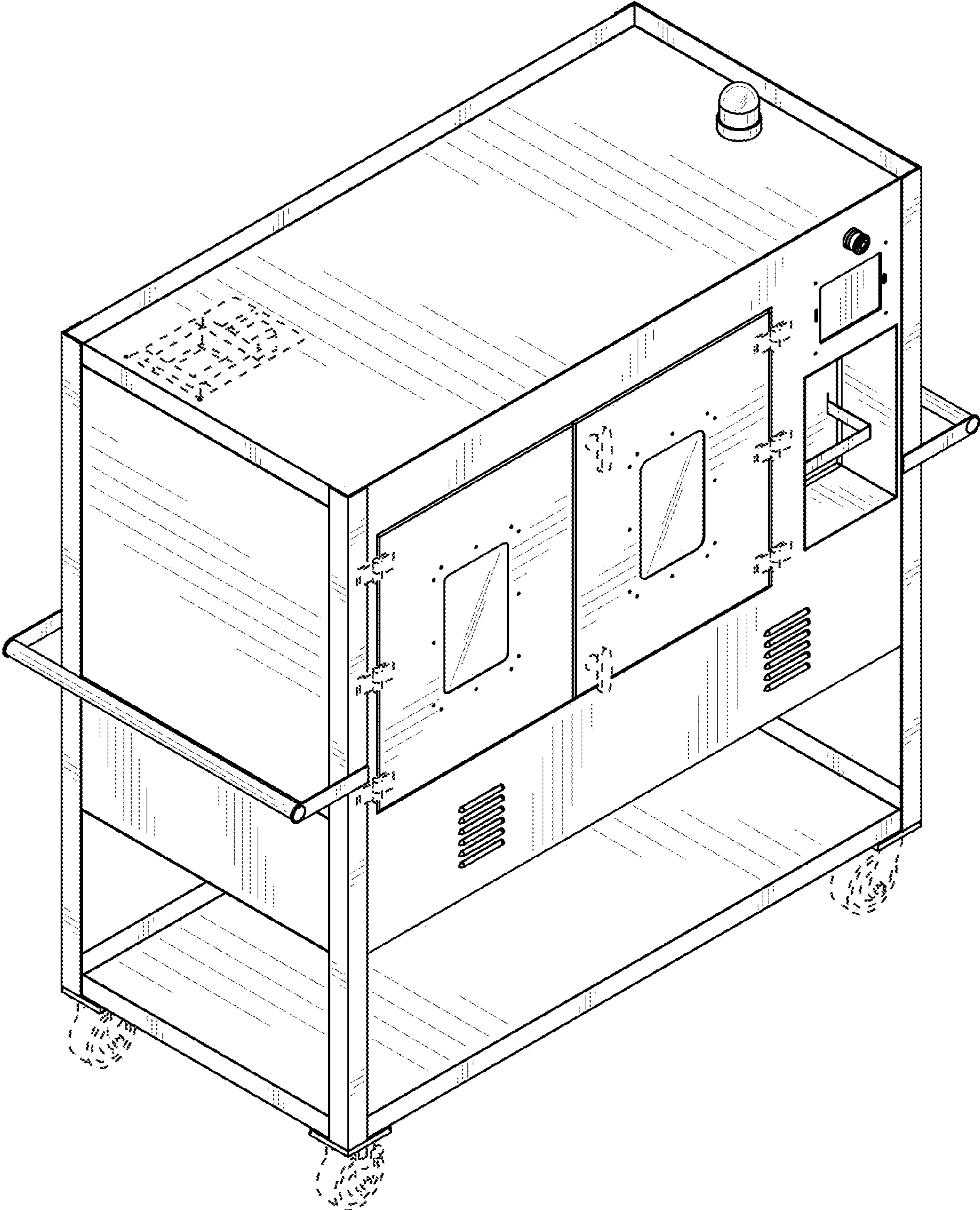


FIG. 2

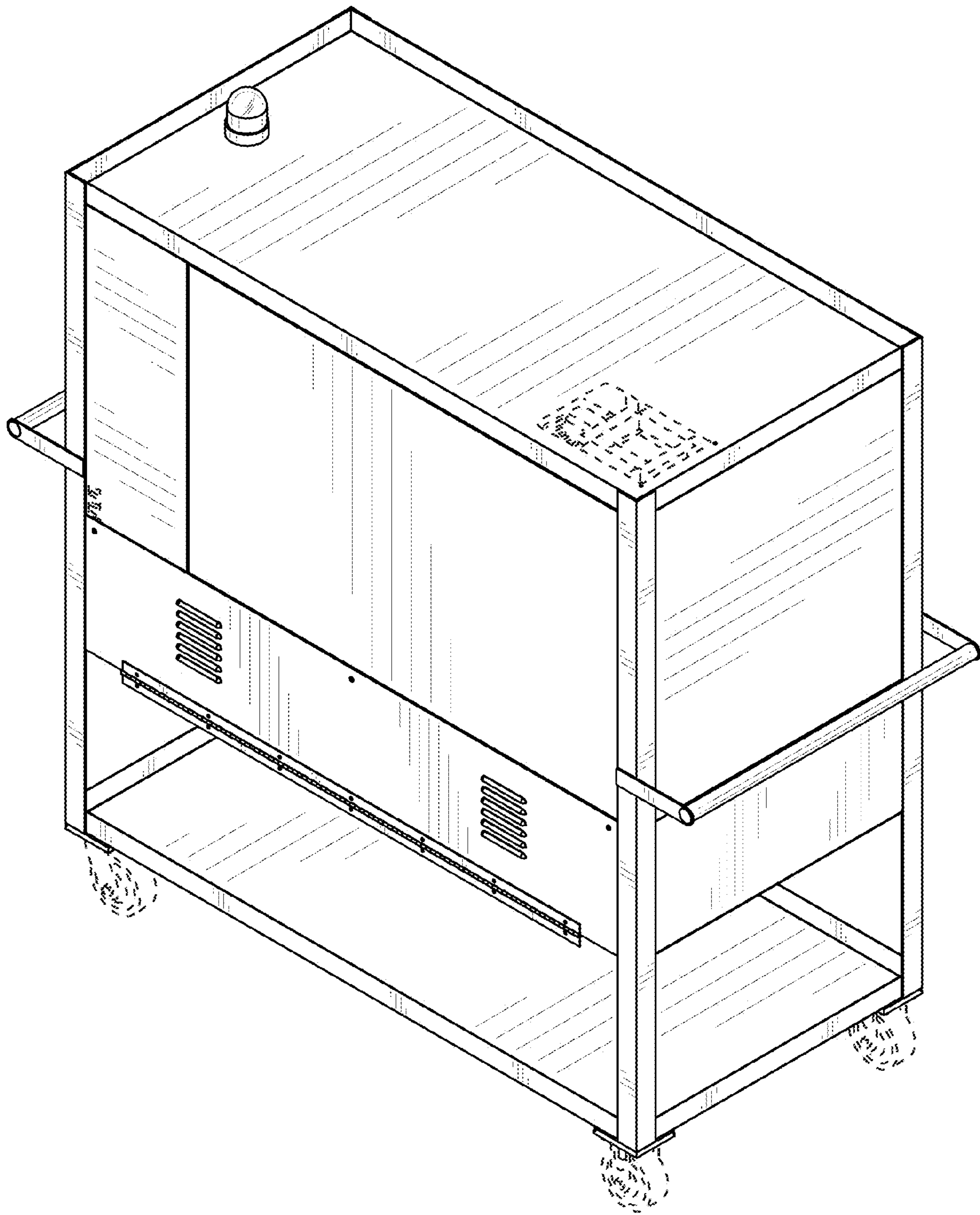


FIG. 3

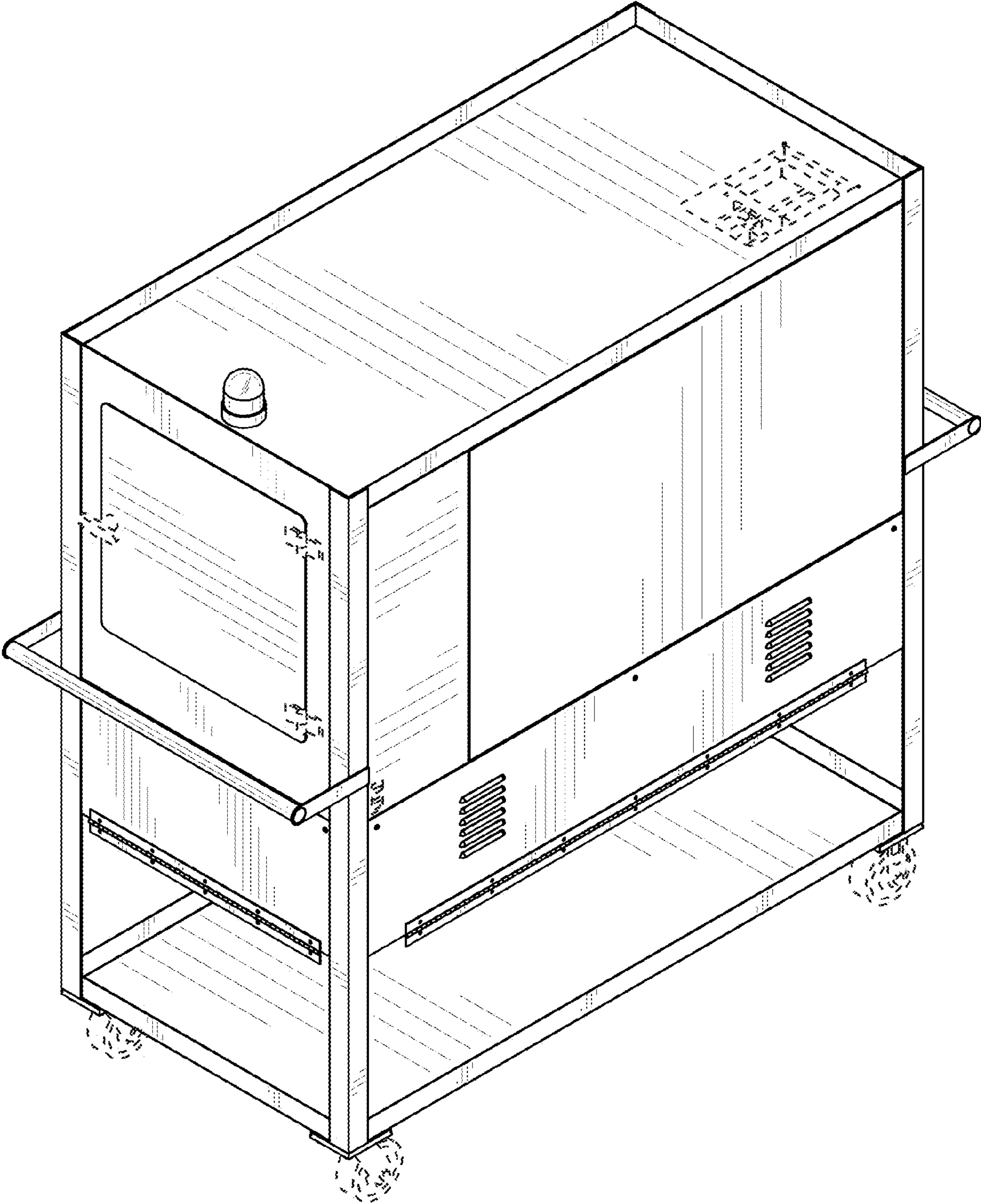


FIG. 4

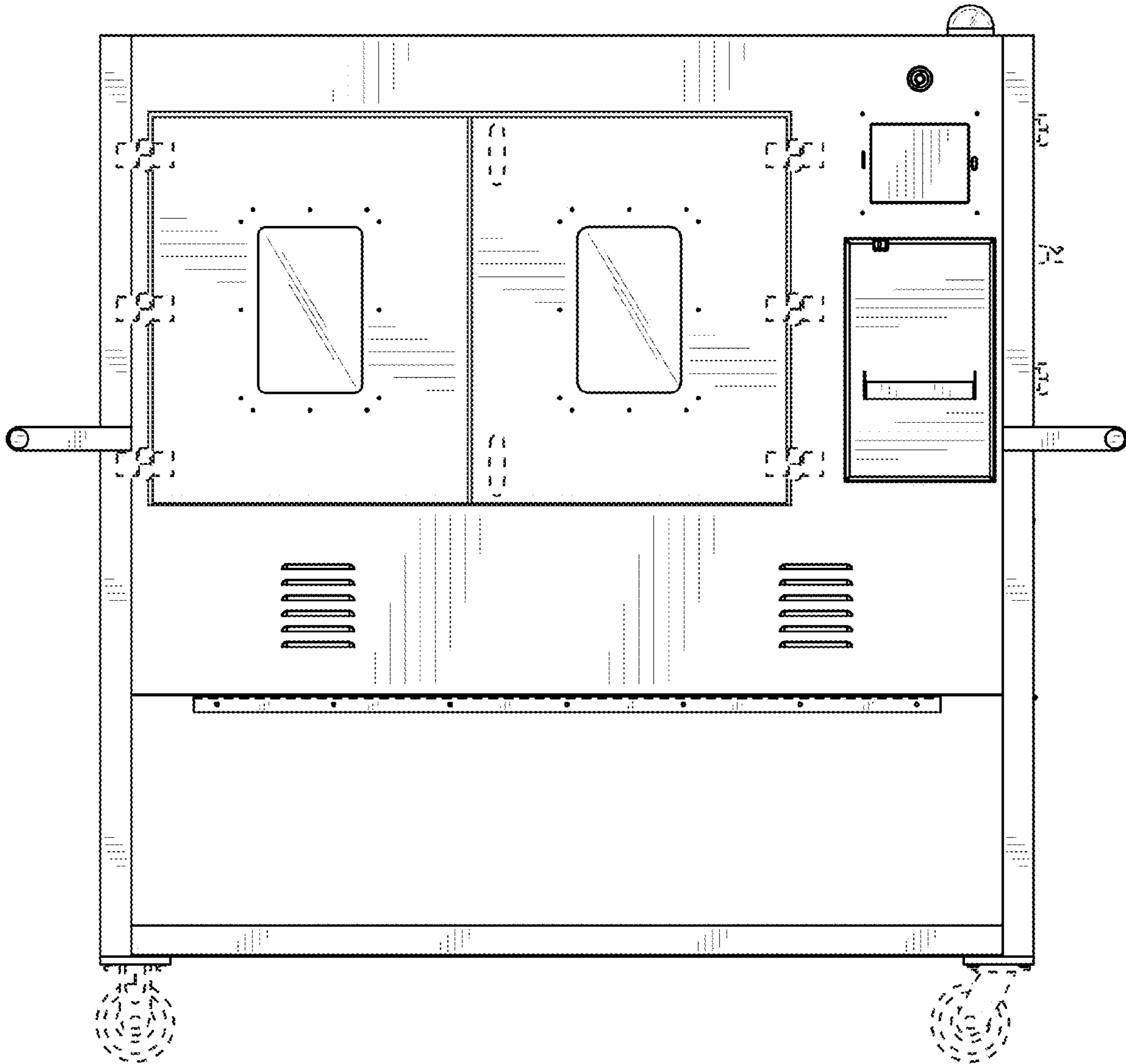


FIG. 5

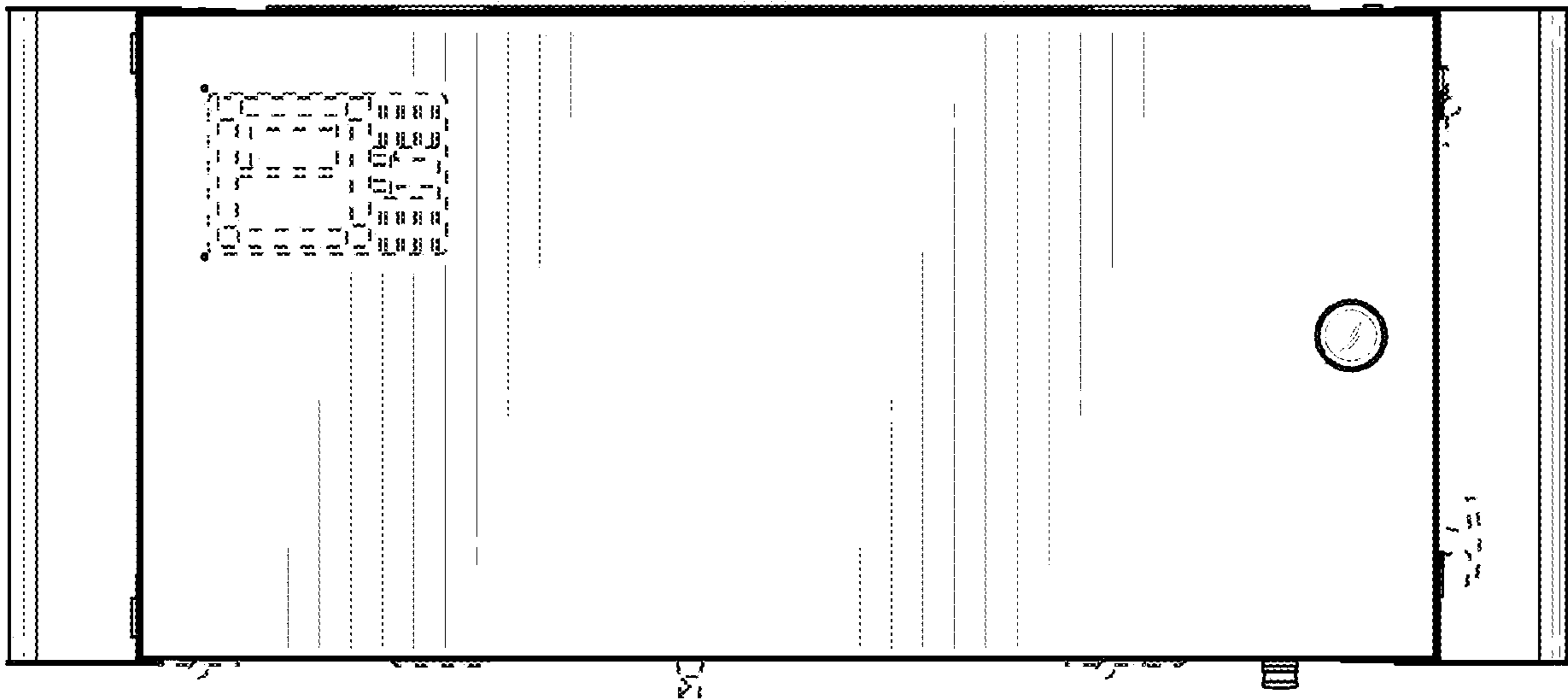


FIG. 6

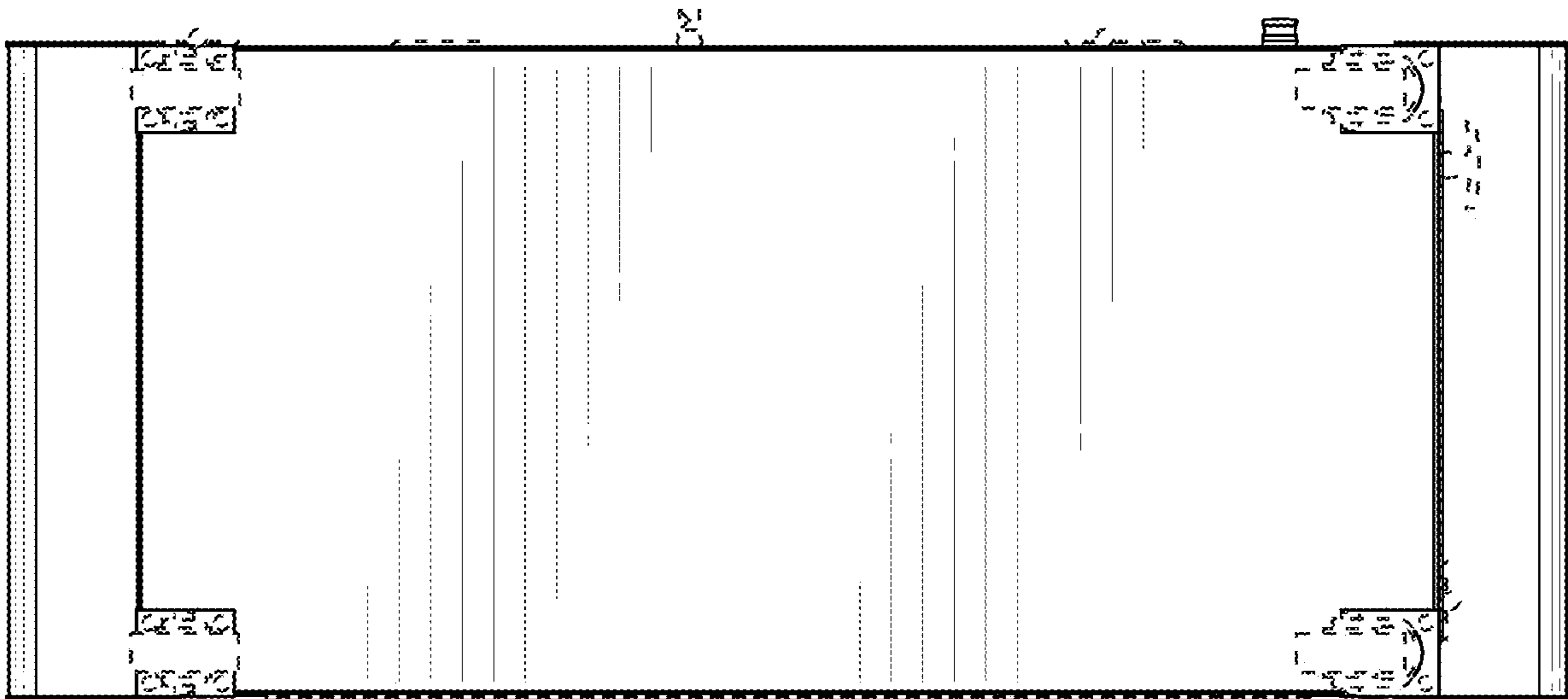


FIG. 7

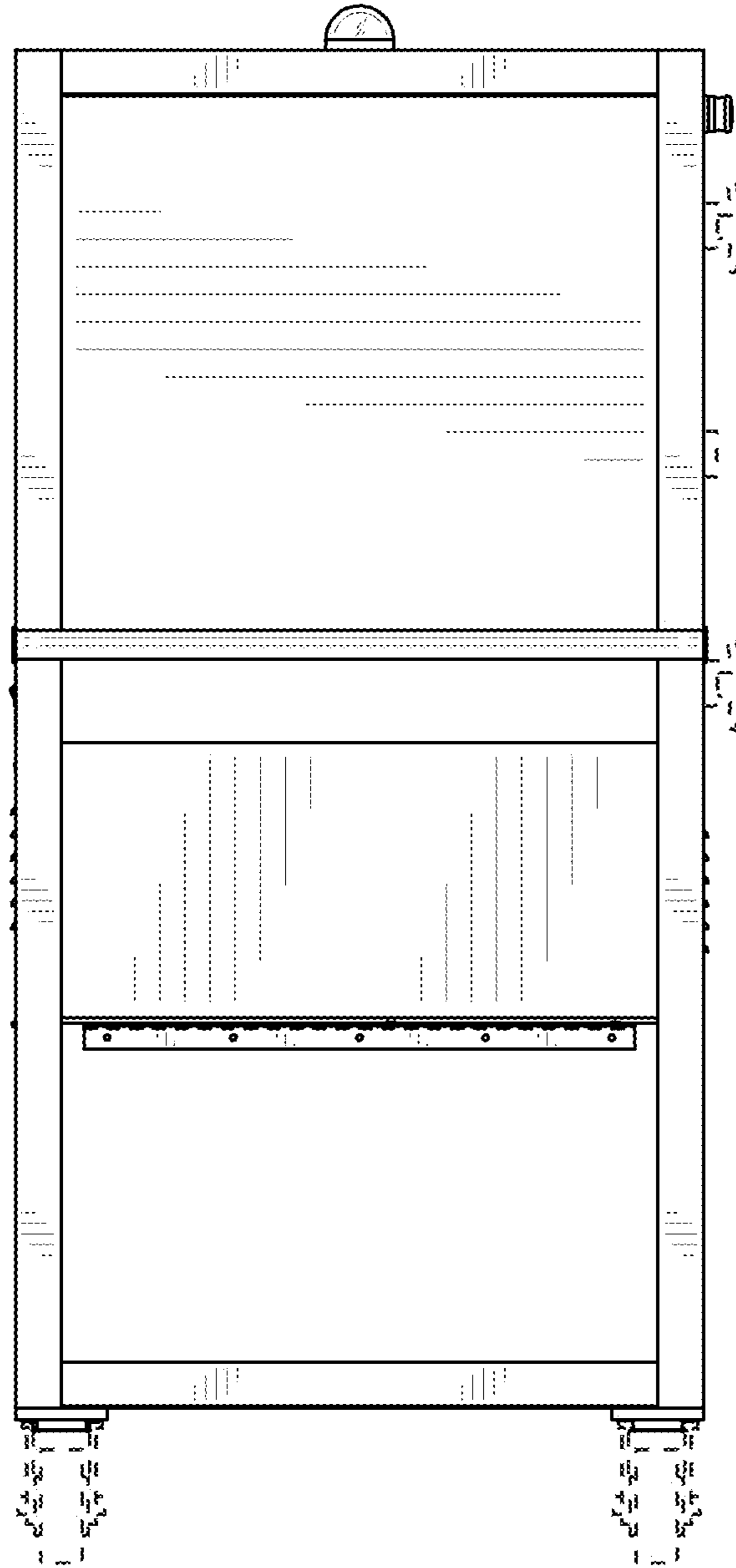


FIG. 8

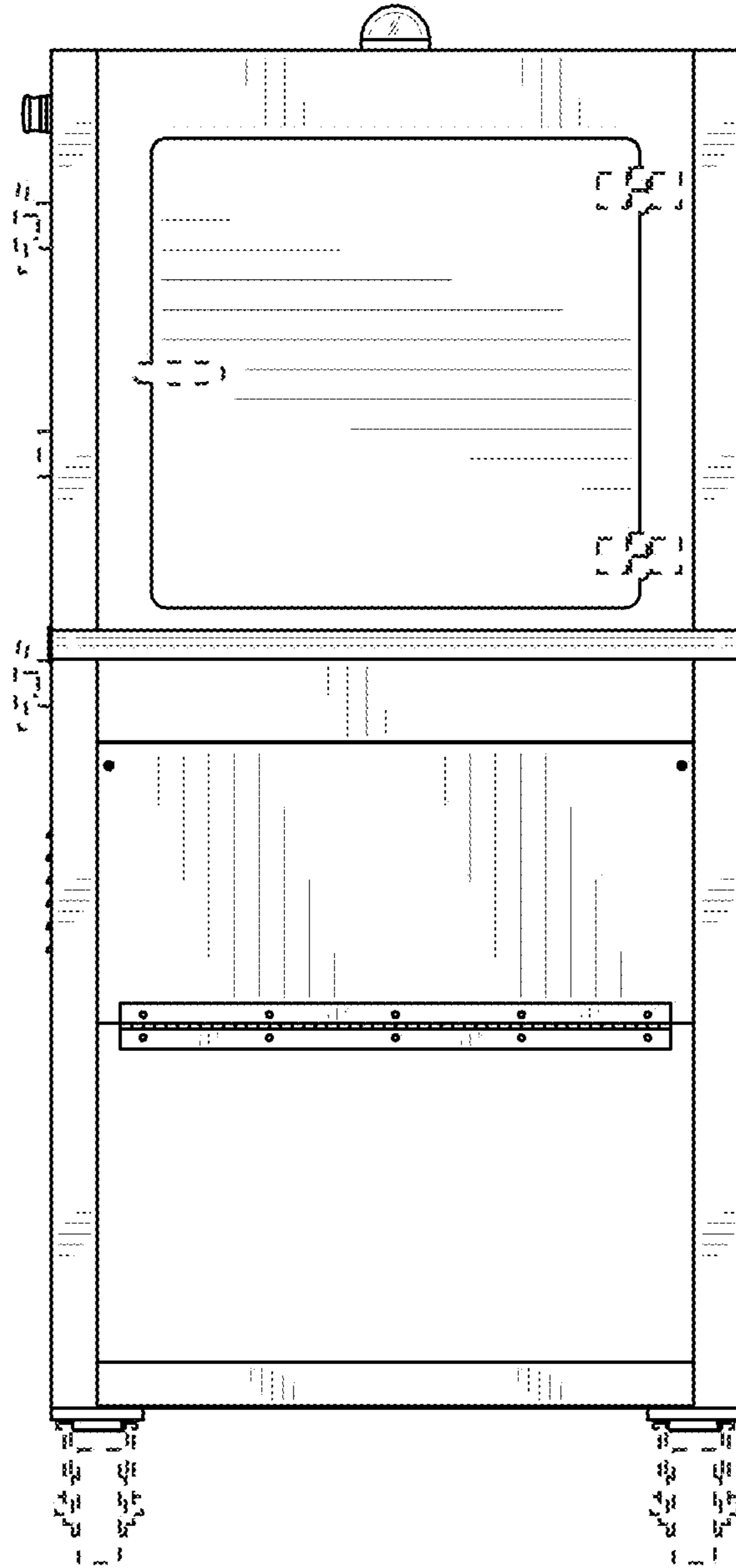


FIG. 9

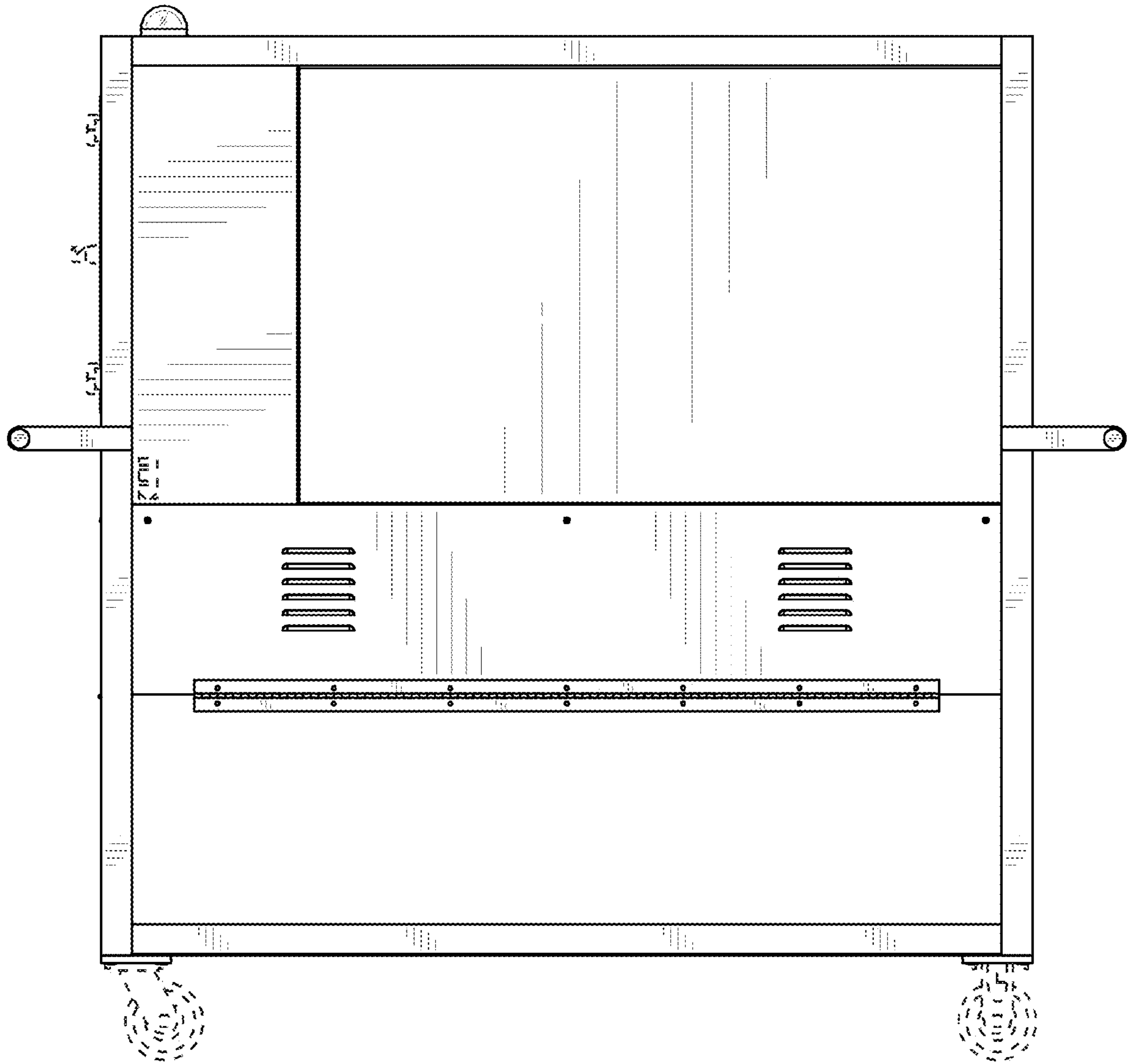


FIG. 10