



US00D923902S

(12) **United States Design Patent** (10) **Patent No.:** **US D923,902 S**  
**Kobayashi et al.** (45) **Date of Patent:** **\*\* Jun. 29, 2021**

(54) **CART**  
(71) Applicant: **Tokyo Electron Limited**, Tokyo (JP)  
(72) Inventors: **Masahiro Kobayashi**, Iwate (JP);  
**Michihiro Takahashi**, Iwate (JP);  
**Harunari Hasegawa**, Iwate (JP);  
**Yoshihisa Kumagai**, Iwate (JP)  
(73) Assignee: **Tokyo Electron Limited**, Tokyo (JP)  
(\*\*) Term: **15 Years**  
(21) Appl. No.: **29/727,639**  
(22) Filed: **Mar. 12, 2020**  
(30) **Foreign Application Priority Data**  
Sep. 20, 2019 (JP) ..... 2019-021156  
(51) **LOC (13) Cl.** ..... **12-02**  
(52) **U.S. Cl.**  
USPC ..... **D34/12**  
(58) **Field of Classification Search**  
USPC ..... D34/12-27  
CPC .. B62B 3/00; B62B 3/02; B62B 3/002; B62B  
3/14; B62B 3/001; B62B 3/022; B62B  
3/027; B62B 3/12; B62B 3/005; B62B  
3/1404; B62B 1/12; B62B 5/0438; B60B  
29/00; B60B 29/002; B66F 9/12; B66F  
9/18; B66F 9/19; B66F 9/20  
See application file for complete search history.

(56) **References Cited**  
U.S. PATENT DOCUMENTS  
D162,163 S \* 2/1951 Hewitt ..... D34/26  
D219,581 S \* 12/1970 Parsons ..... D34/24  
D219,649 S \* 1/1971 Saleman ..... D34/17

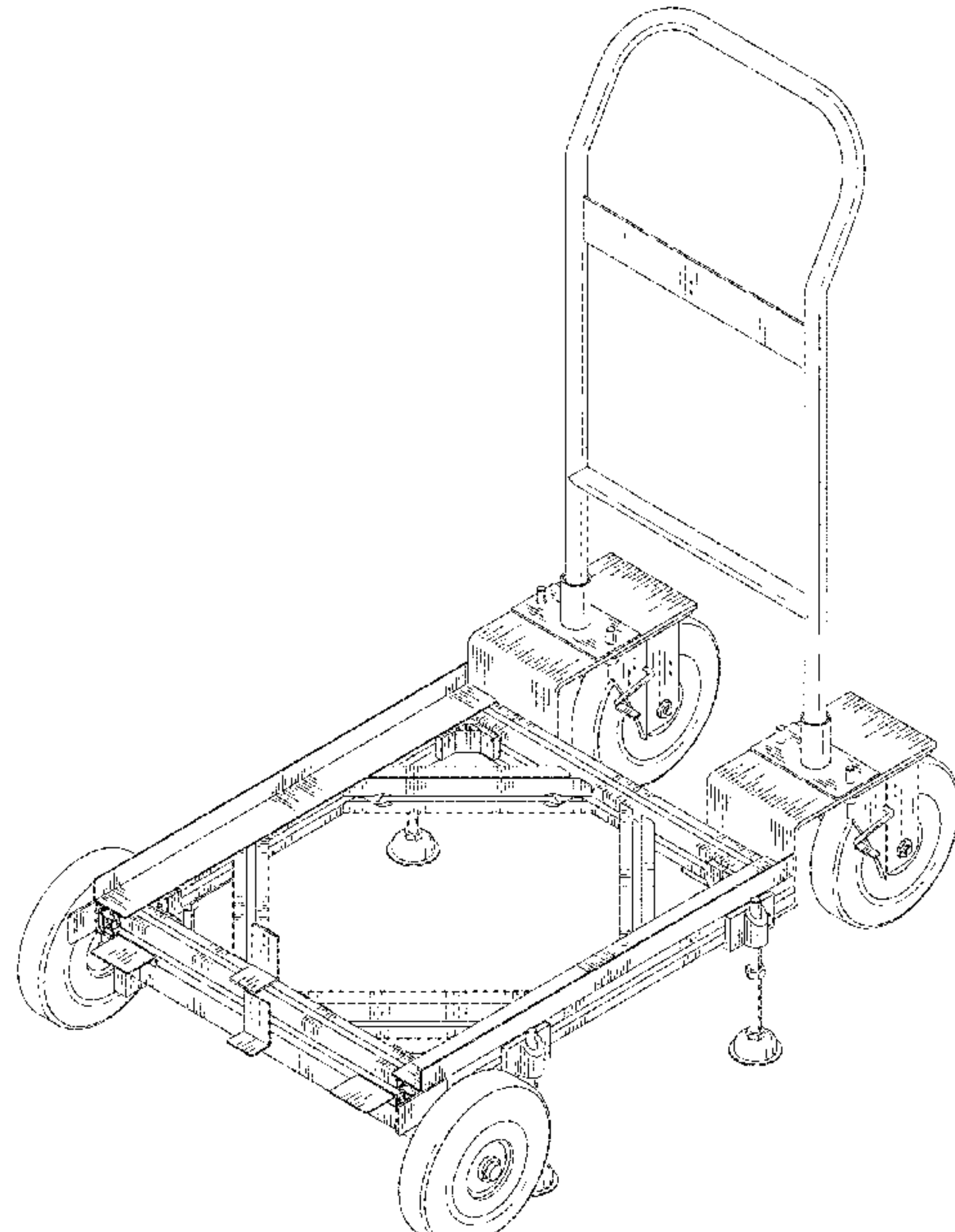
D240,297 S \* 6/1976 Trubiano ..... D12/129  
D289,578 S \* 4/1987 Ruffin ..... D34/17  
D576,372 S \* 9/2008 Walter ..... D34/17  
D580,617 S \* 11/2008 Walter ..... D34/12  
D669,242 S \* 10/2012 Baldemor ..... D34/12  
8,444,166 B1 \* 5/2013 Jarvis ..... B62B 3/02  
280/415.1  
D685,154 S \* 6/2013 Ambrefe, Jr. .... D34/12  
D810,378 S \* 2/2018 Walter ..... D34/12  
D826,507 S \* 8/2018 Wernberg ..... D34/12  
D862,025 S \* 10/2019 Walter ..... D34/12  
2015/0014965 A1 \* 1/2015 Gibson ..... B62B 1/002  
280/651  
2015/0360707 A1 \* 12/2015 Gullino ..... B62B 3/02  
280/659  
2016/0264164 A1 \* 9/2016 Hull ..... B62B 3/02  
2017/0072978 A1 \* 3/2017 Kopp ..... B62B 3/001  
2017/0341667 A1 \* 11/2017 Kalinowski ..... B62B 3/001  
2018/0085907 A1 \* 3/2018 Wilson ..... B62B 3/022  
2018/0153755 A1 \* 6/2018 Kottmann ..... A61G 13/06  
2020/0070864 A1 \* 3/2020 Mackey ..... B62B 3/10  
2020/0324799 A1 \* 10/2020 Ritucci ..... B62B 3/007

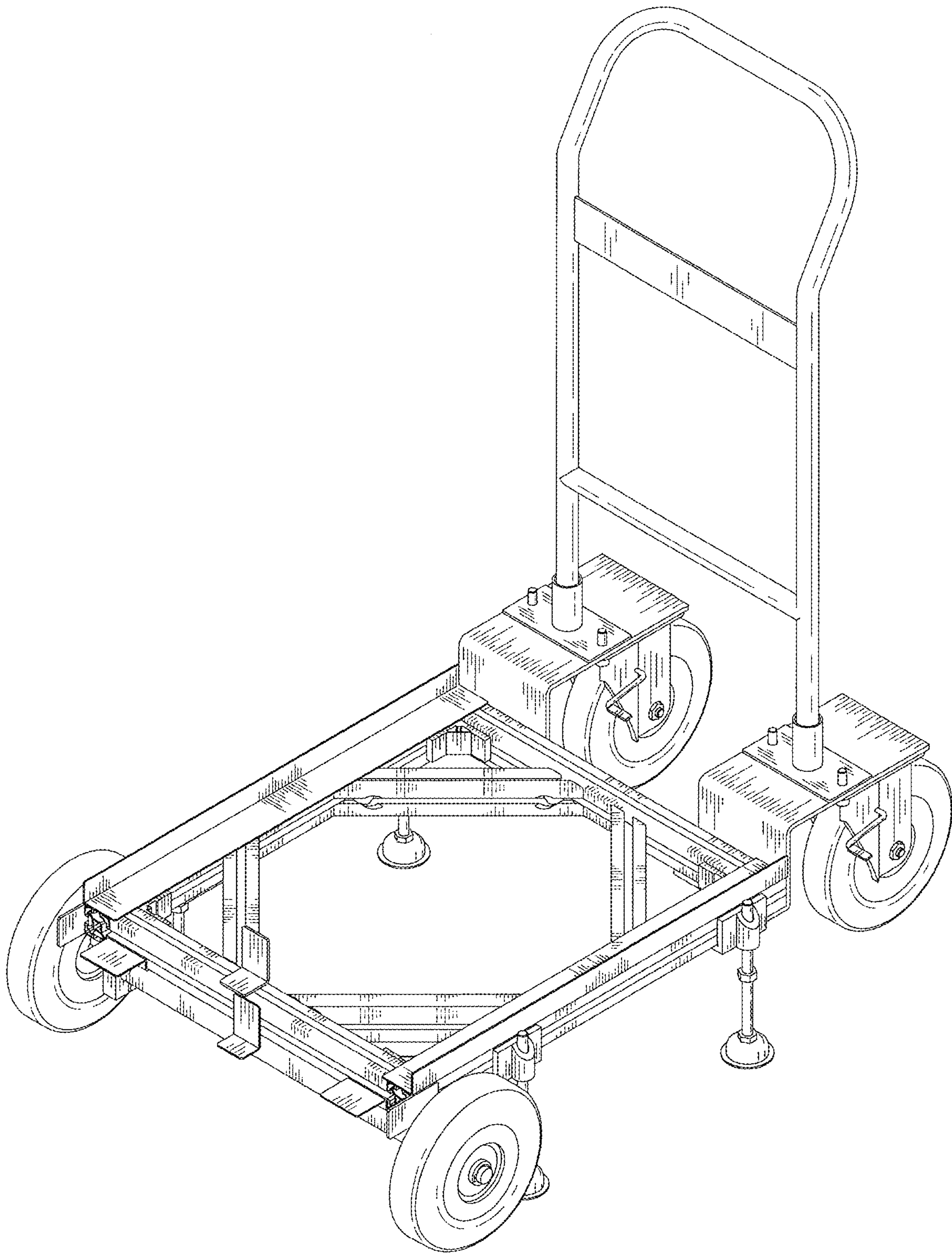
\* cited by examiner  
*Primary Examiner* — Cynthia Ramirez  
(74) *Attorney, Agent, or Firm* — IPUSA, PLLC

(57) **CLAIM**  
The ornamental design for a cart, as shown and described.

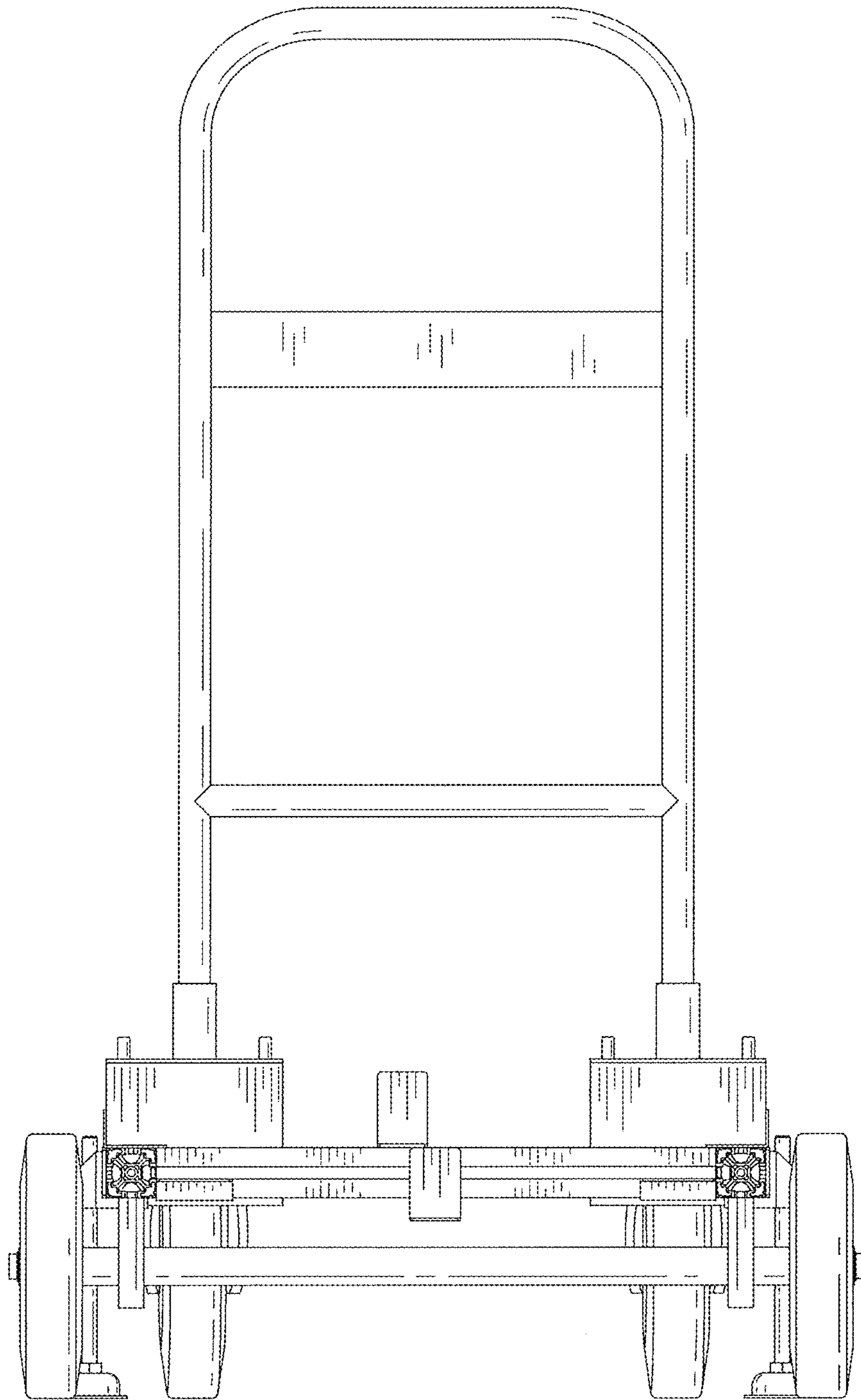
**DESCRIPTION**  
FIG. 1 is a perspective view of a cart, showing our new design;  
FIG. 2 is a front view thereof;  
FIG. 3 is a rear view thereof;  
FIG. 4 is a top plan view thereof;  
FIG. 5 is a bottom plan view thereof;  
FIG. 6 is a right side view thereof; and,  
FIG. 7 is a left side view thereof.

**1 Claim, 7 Drawing Sheets**



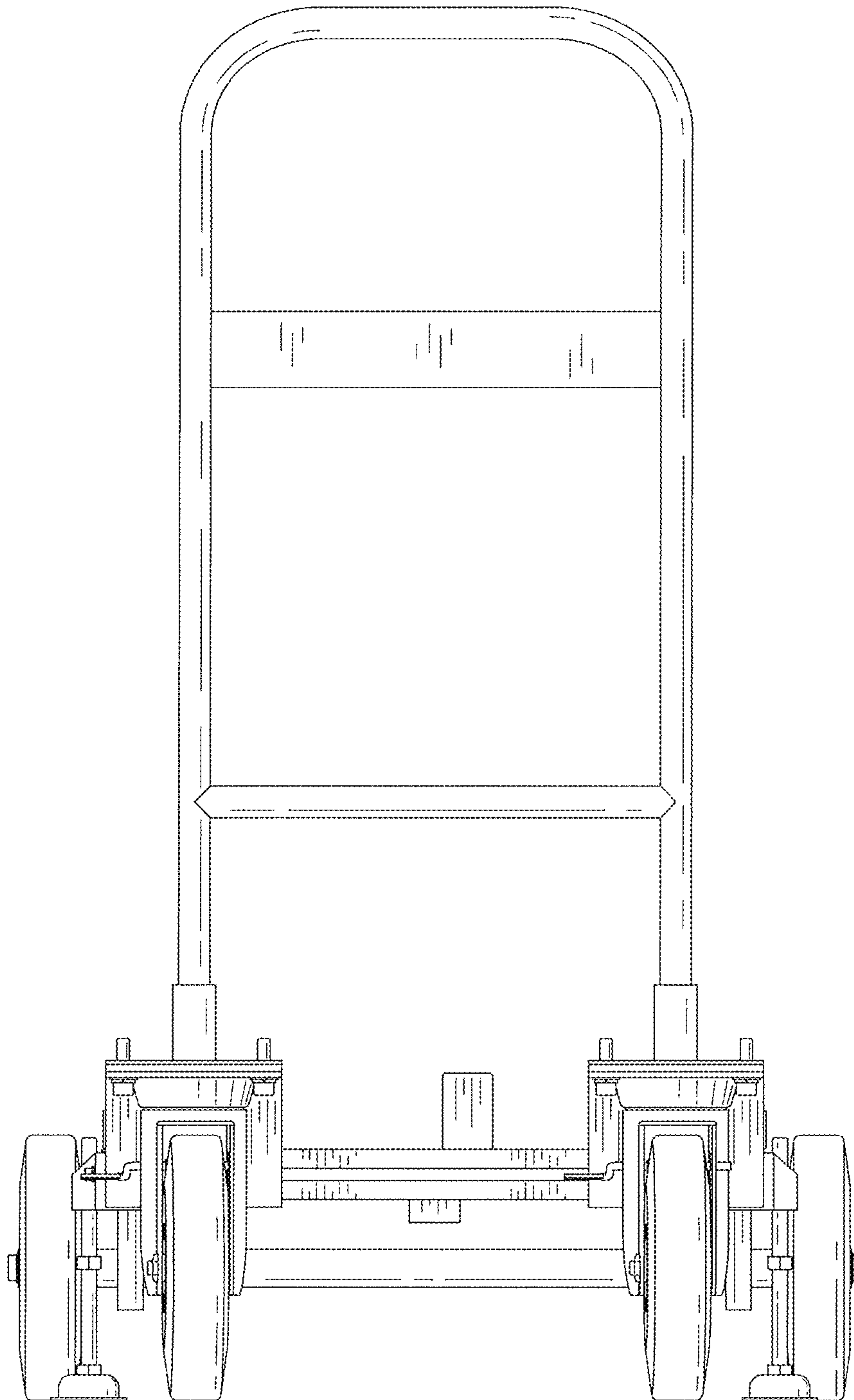


*Fig. 1*

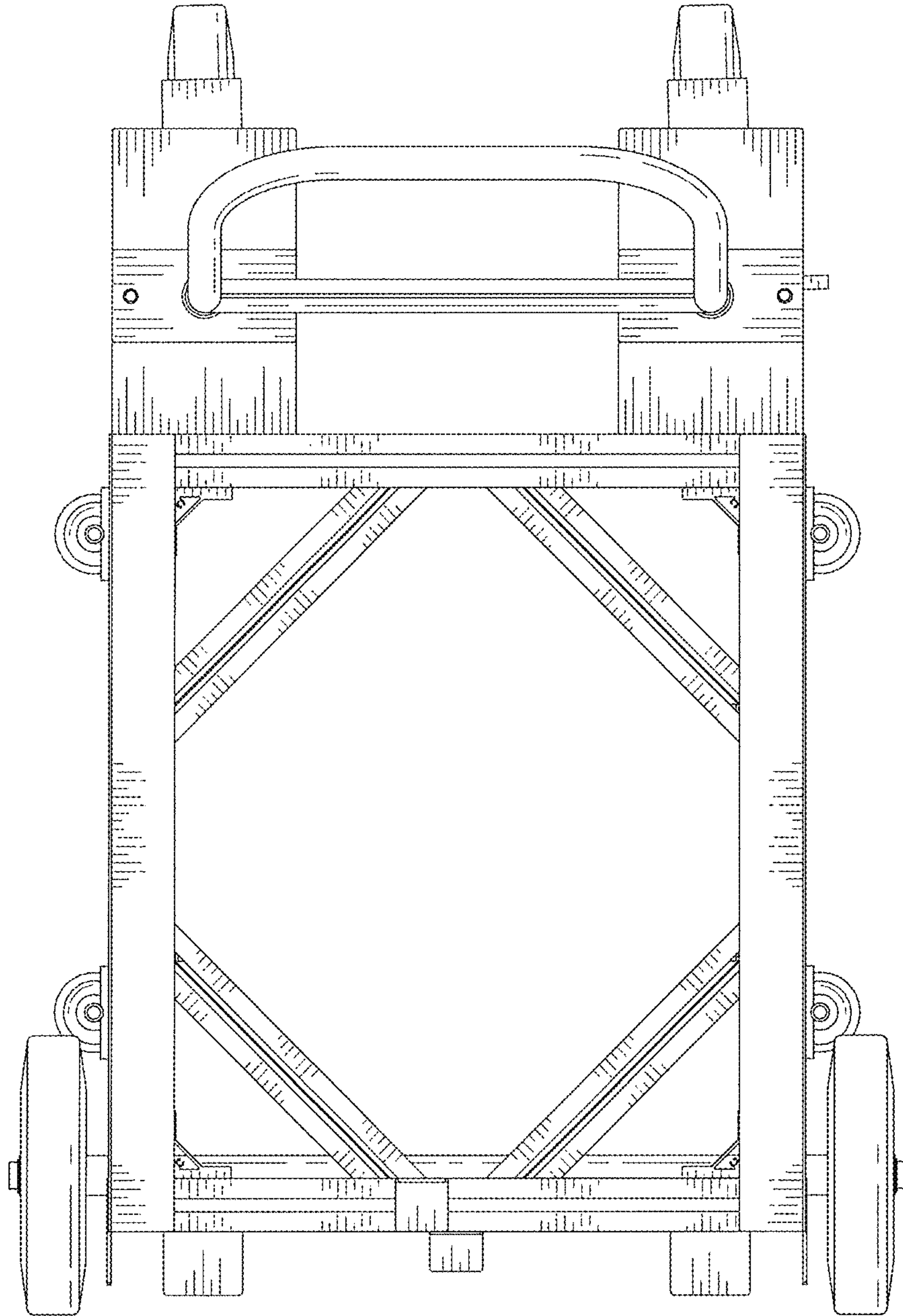


*Fig. 2*

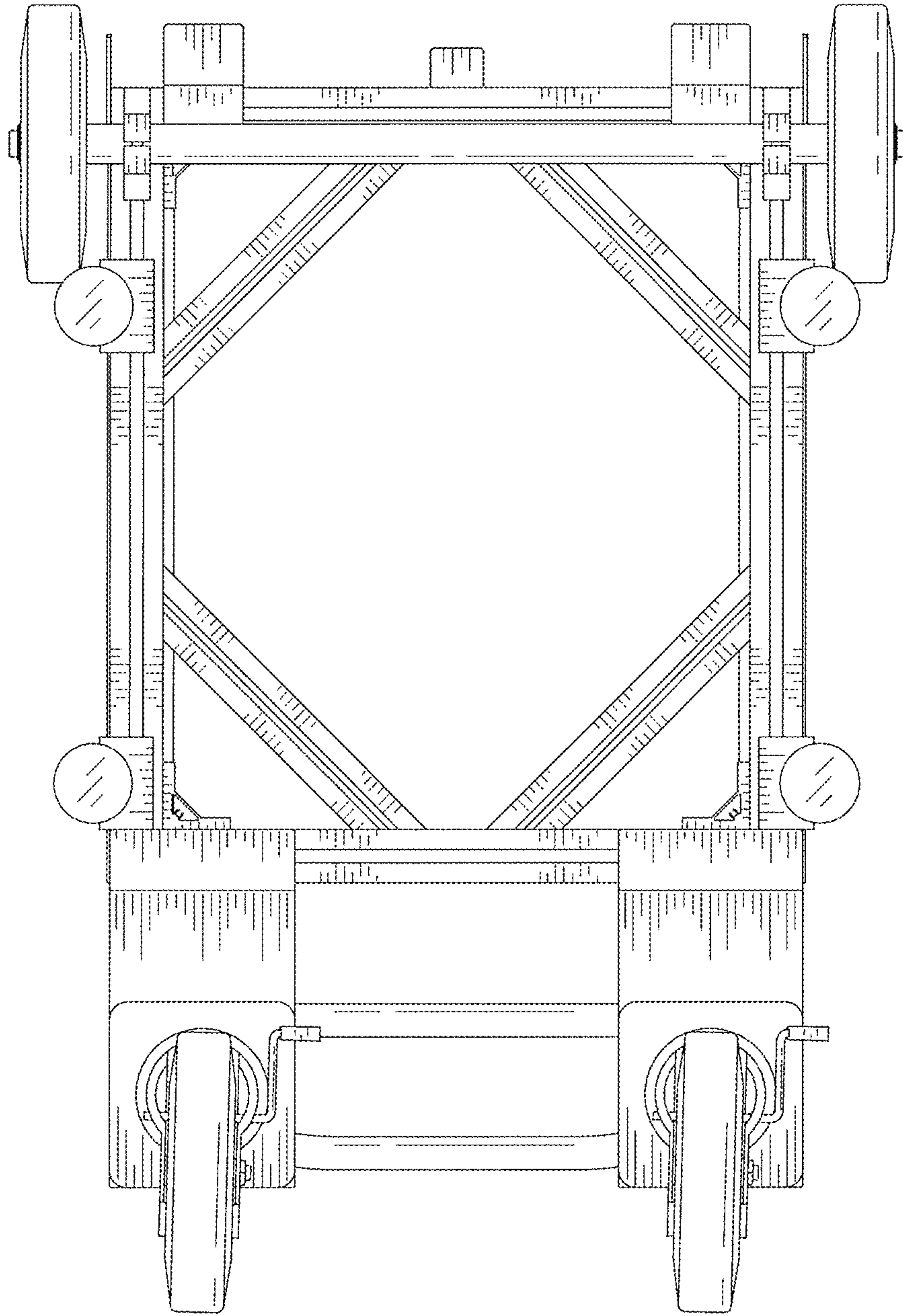




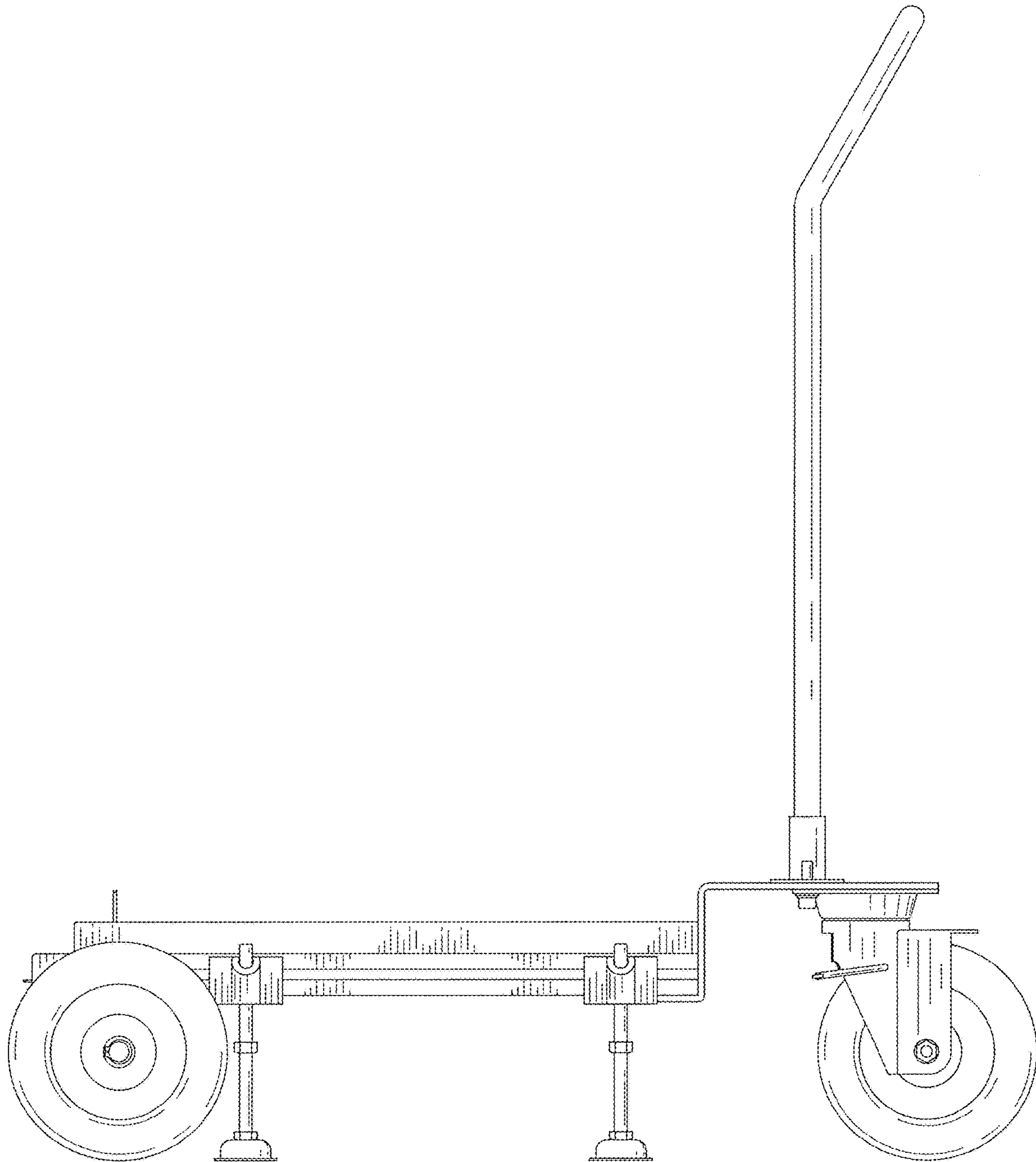
*Fig. 3*



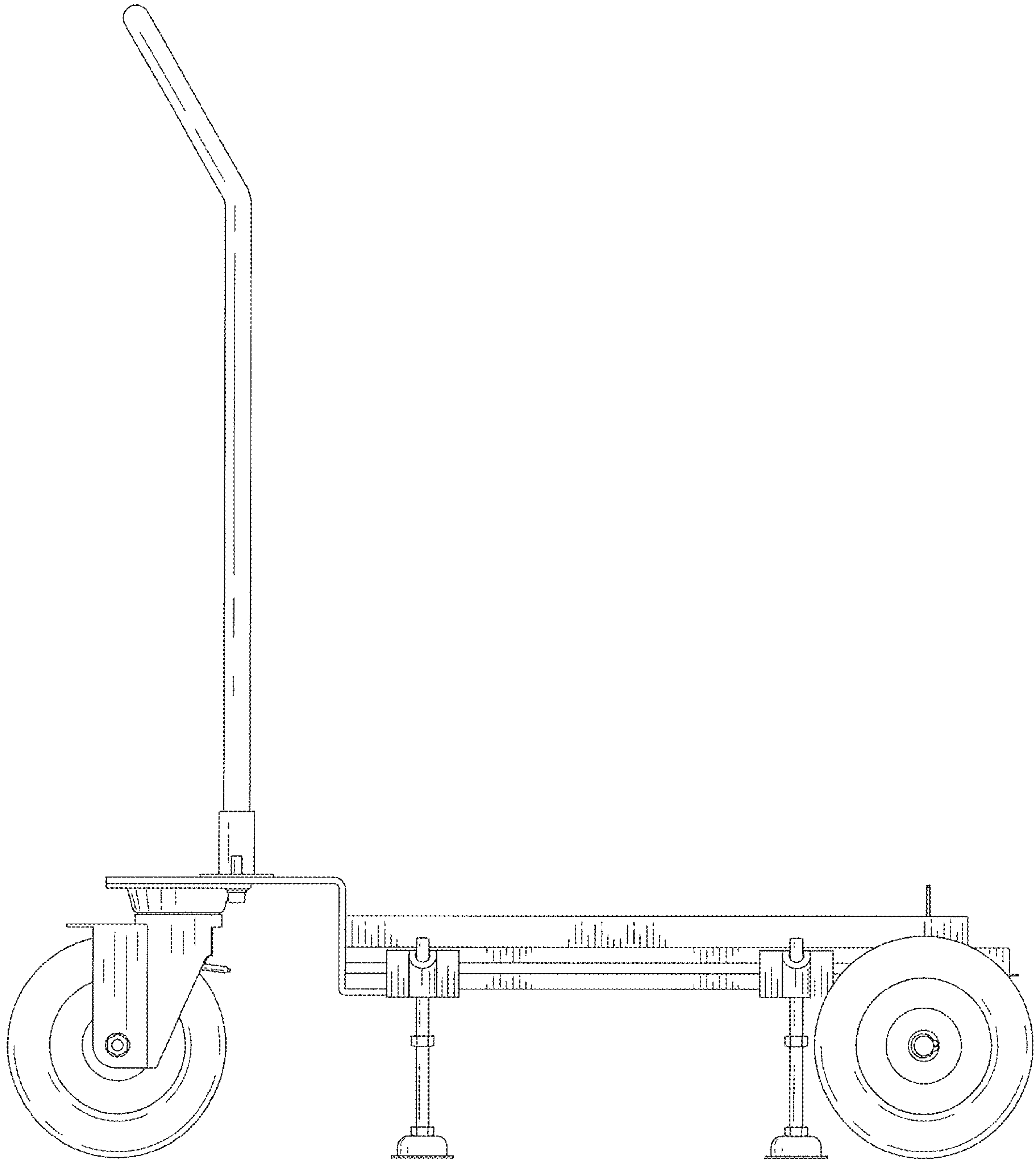
*Fig. 4*



*Fig. 5*



*Fig. 6*



*Fig. 7*