



US00D923901S

(12) **United States Design Patent** (10) **Patent No.:** **US D923,901 S**
Powell (45) **Date of Patent:** **** Jun. 29, 2021**

(54) **SPORTS SQUEEZE BOTTLE CART**

(71) Applicant: **Kinematic Sports, LLC**, Tuscaloosa, AL (US)

(72) Inventor: **Patrick Powell**, Pelham, AL (US)

(73) Assignee: **Kinematic Sports, LLC**, Tuscaloosa, AL (US)

(**) Term: **15 Years**

(21) Appl. No.: **29/695,441**

(22) Filed: **Jun. 19, 2019**

(51) **LOC (13) Cl.** **12-02**

(52) **U.S. Cl.**
 USPC **D34/12**

(58) **Field of Classification Search**
 USPC D34/12, 14, 17, 24, 21, 26
 CPC B62B 1/12; B62B 1/20; B62B 1/04; B62B 1/042; B62B 1/208; B62B 5/0438
 See application file for complete search history.

2014/0035262 A1* 2/2014 White B62B 5/067 280/651

2016/0200339 A1* 7/2016 Dhand B62B 1/266 280/651

2019/0168792 A1* 6/2019 Bacallao G07G 1/0081

* cited by examiner

Primary Examiner — Cynthia Ramirez

(74) *Attorney, Agent, or Firm* — C. Brandon Browning; Maynard, Cooper & Gale, PC

(57) **CLAIM**

The ornamental design for a sports squeeze bottle cart, as shown and described.

DESCRIPTION

FIG. 1 is a front elevational view of a sports squeeze bottle cart showing my new design.

FIG. 2 is a rear elevational view.

FIG. 3 is an elevational left side view thereof.

FIG. 4 is an elevational right side view thereof.

FIG. 5 is top plan view thereof.

FIG. 6 is a bottom plan view thereof.

FIG. 7 is a right side perspective view thereof.

FIG. 8 is a right side perspective view thereof in condition of use.

FIG. 9 is a left side perspective view thereof; and,

FIG. 10 is a left side perspective view thereof in condition of use.

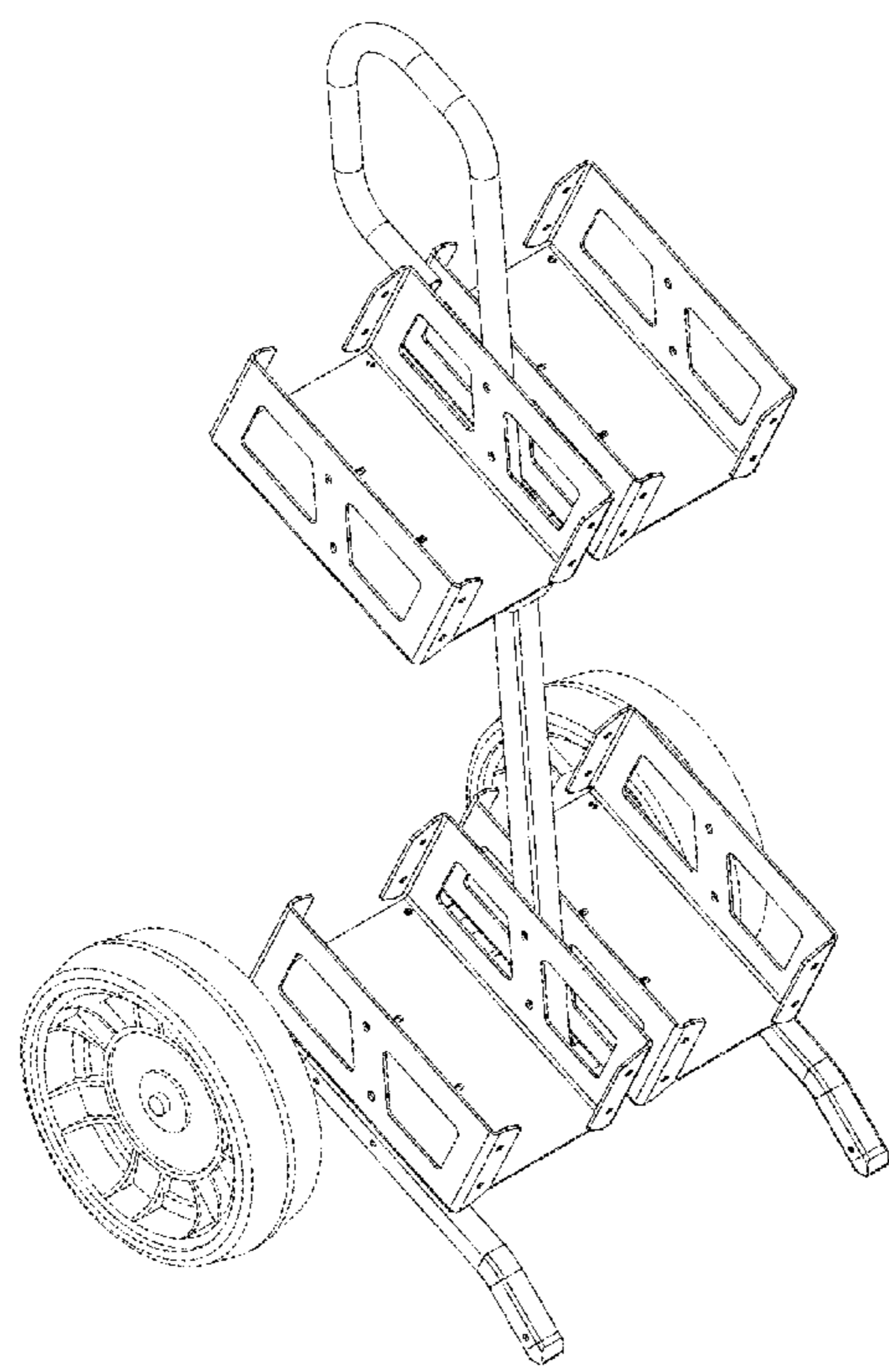
The broken lines in the figures show portions of the sports squeeze bottle cart, which form no part of the claimed design. The squeeze bottles shown in FIGS. 8 and 10 are to show environment and form no part of the claimed design.

(56) **References Cited**

U.S. PATENT DOCUMENTS

D331,303 S *	11/1992	Dunn	D34/24
5,931,483 A *	8/1999	Haynes	B62B 1/12 280/47.19
D473,989 S *	4/2003	Hittie	D34/18
D480,527 S *	10/2003	Kollen	D34/21
D787,147 S *	5/2017	Petrovich	D34/17
D810,380 S *	2/2018	Sommerfield	D34/21
D884,303 S *	5/2020	Petrovich	D34/21
2002/0067027 A1 *	6/2002	Anderson	B62B 1/12 280/655

1 Claim, 5 Drawing Sheets



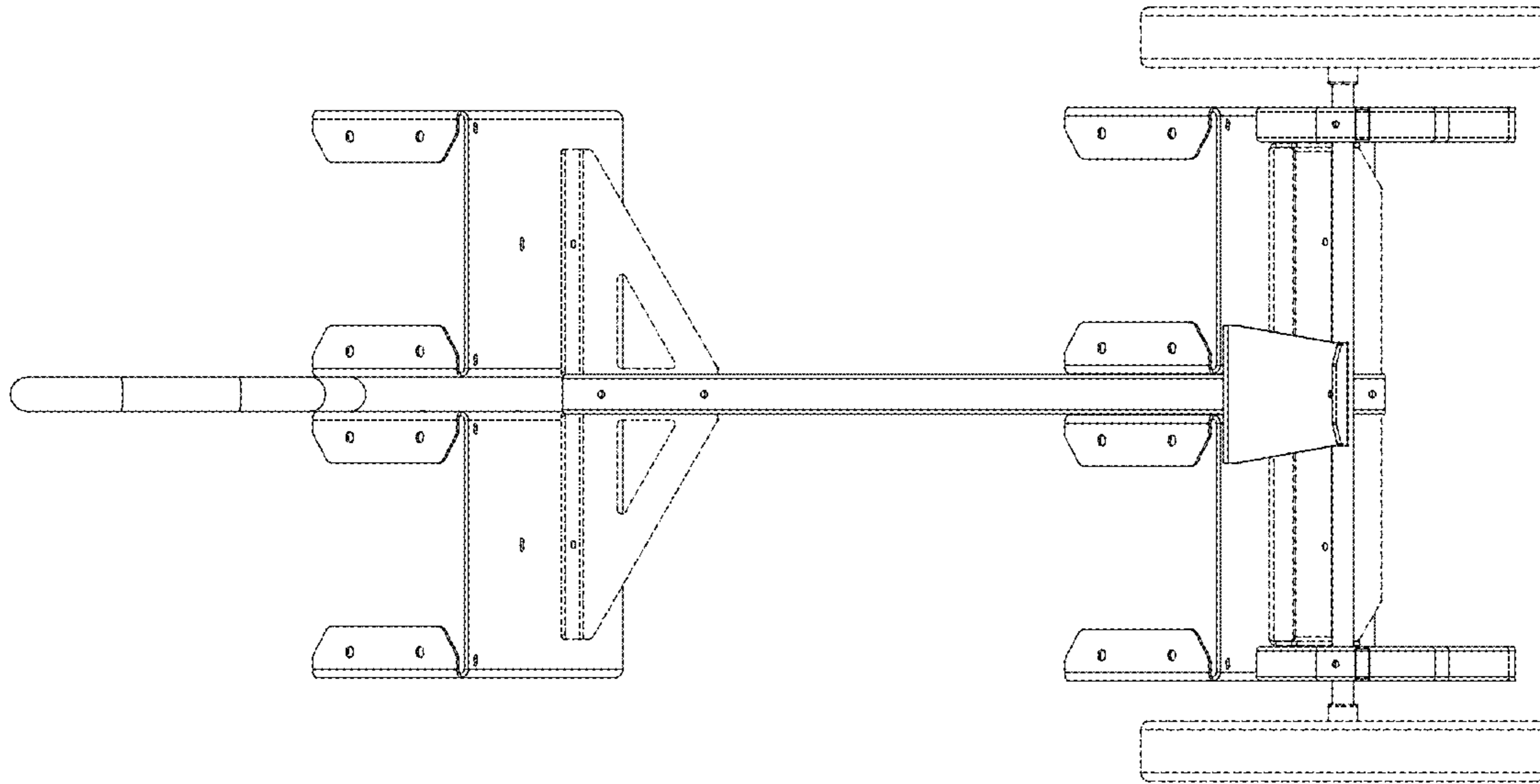


FIG. 2

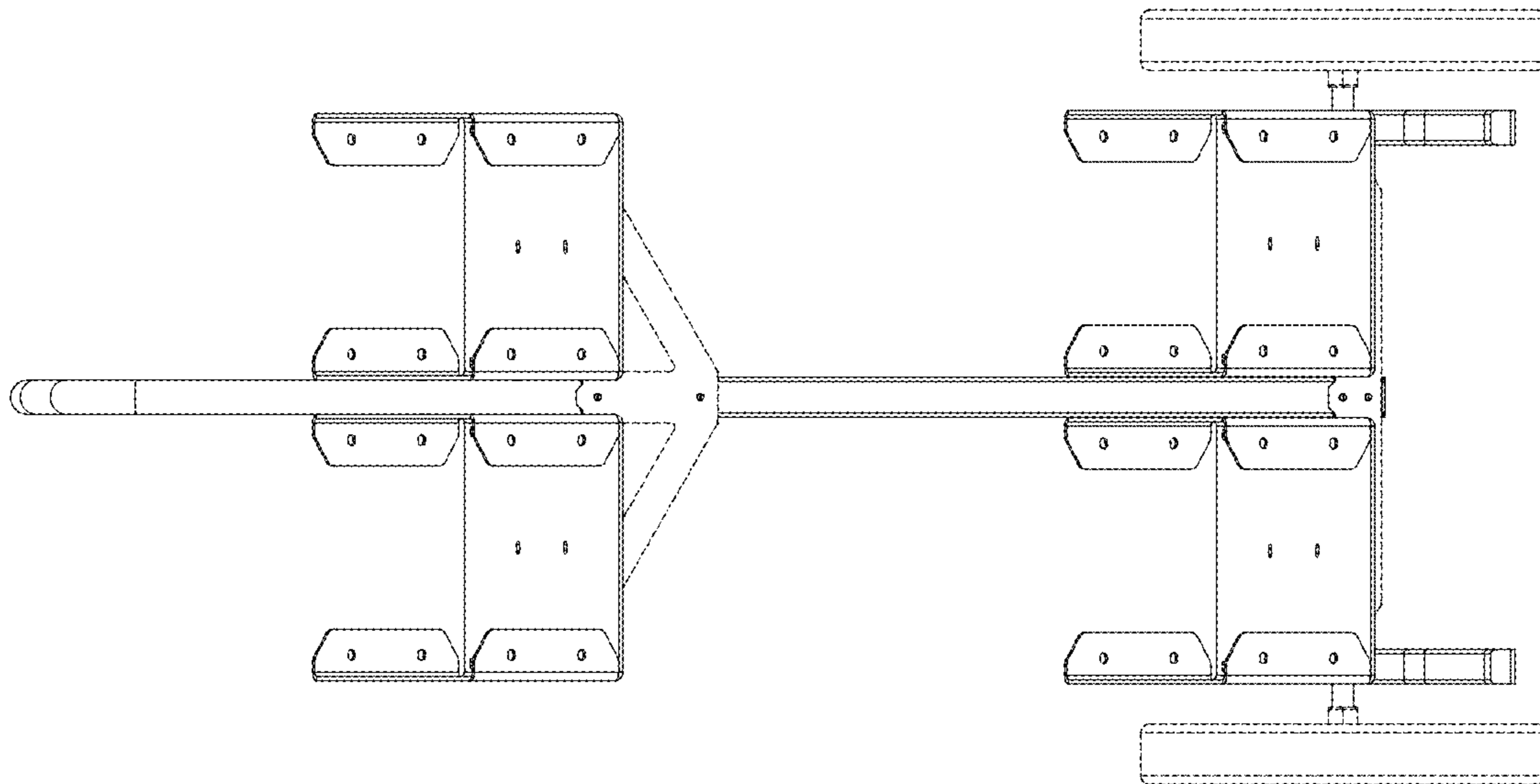


FIG. 1

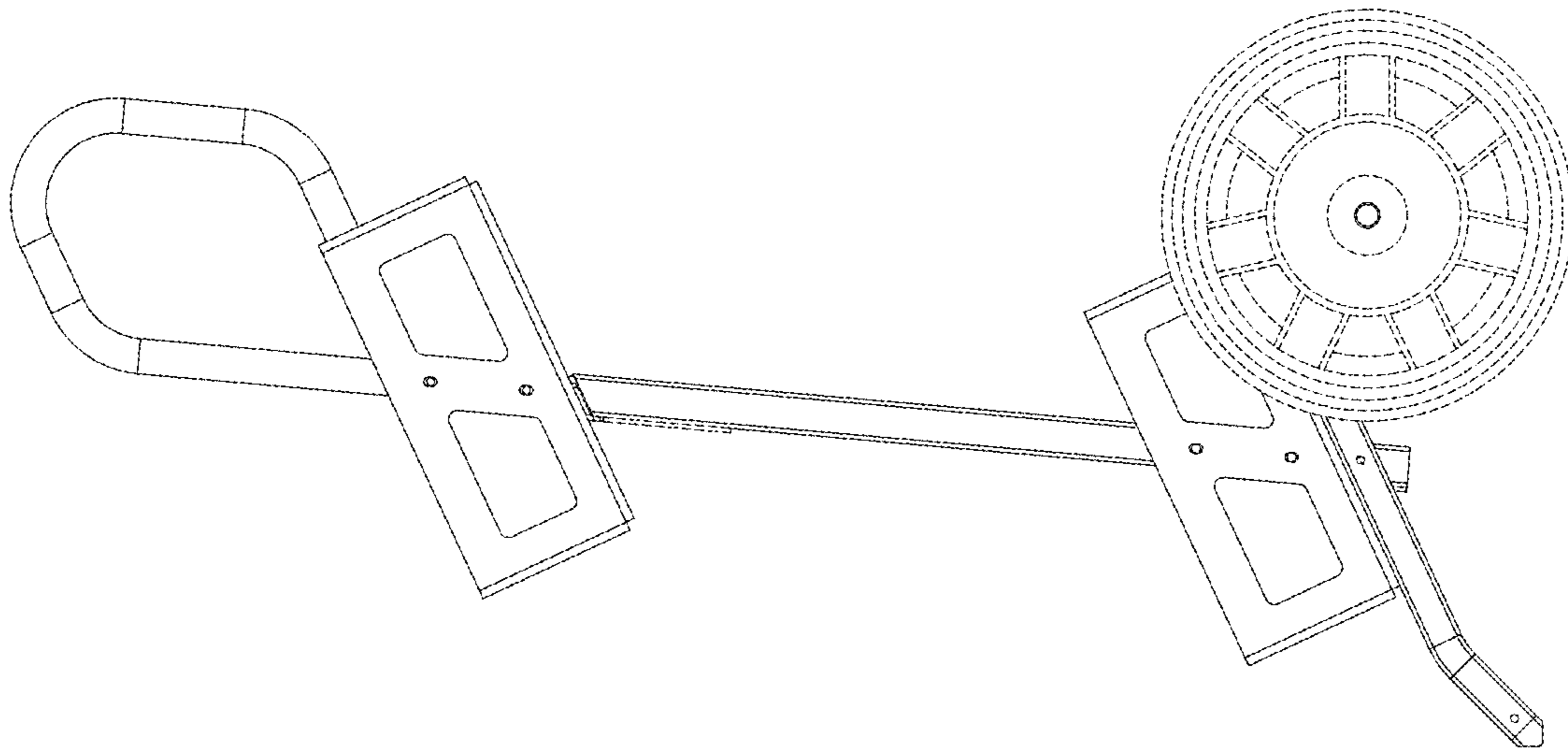


FIG. 4

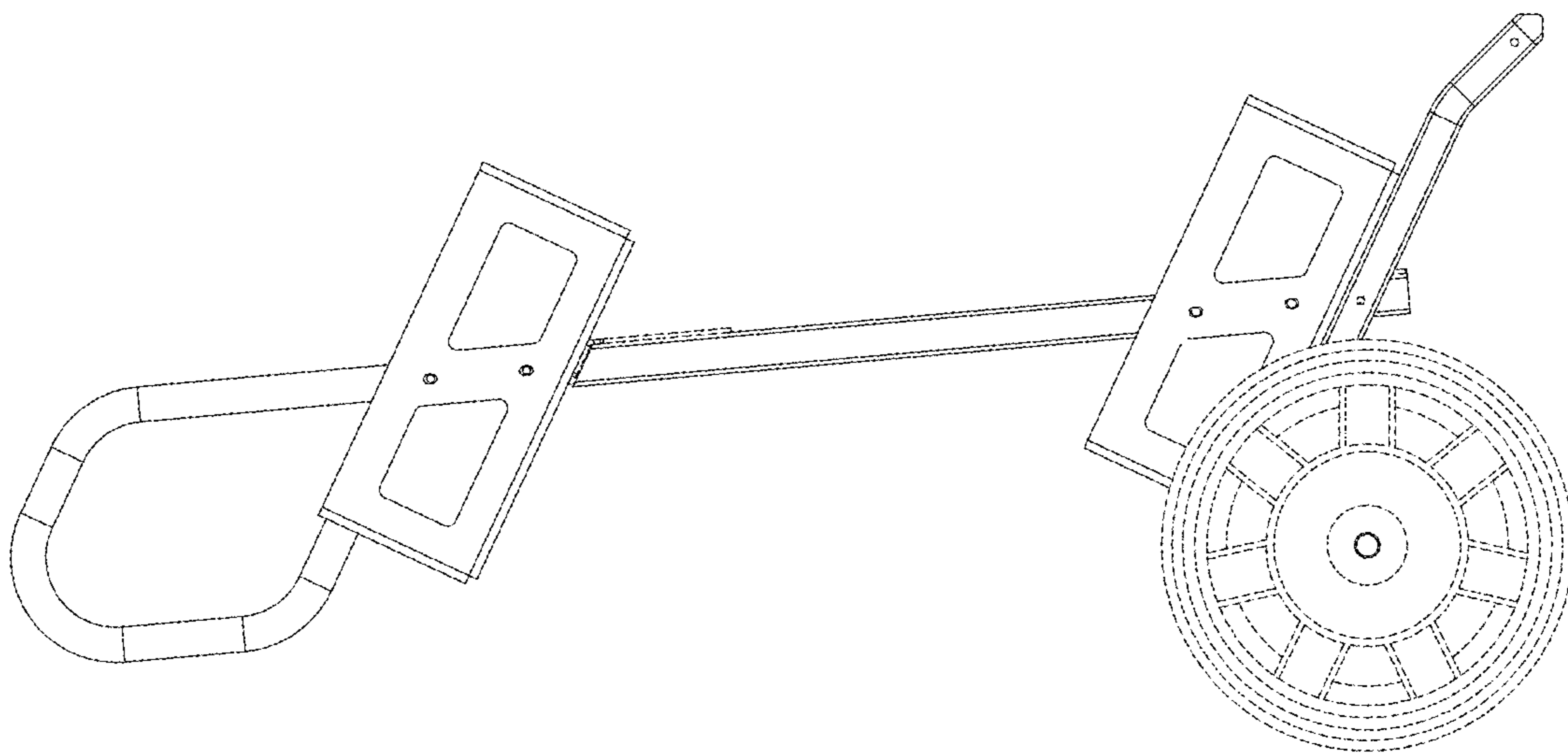


FIG. 3

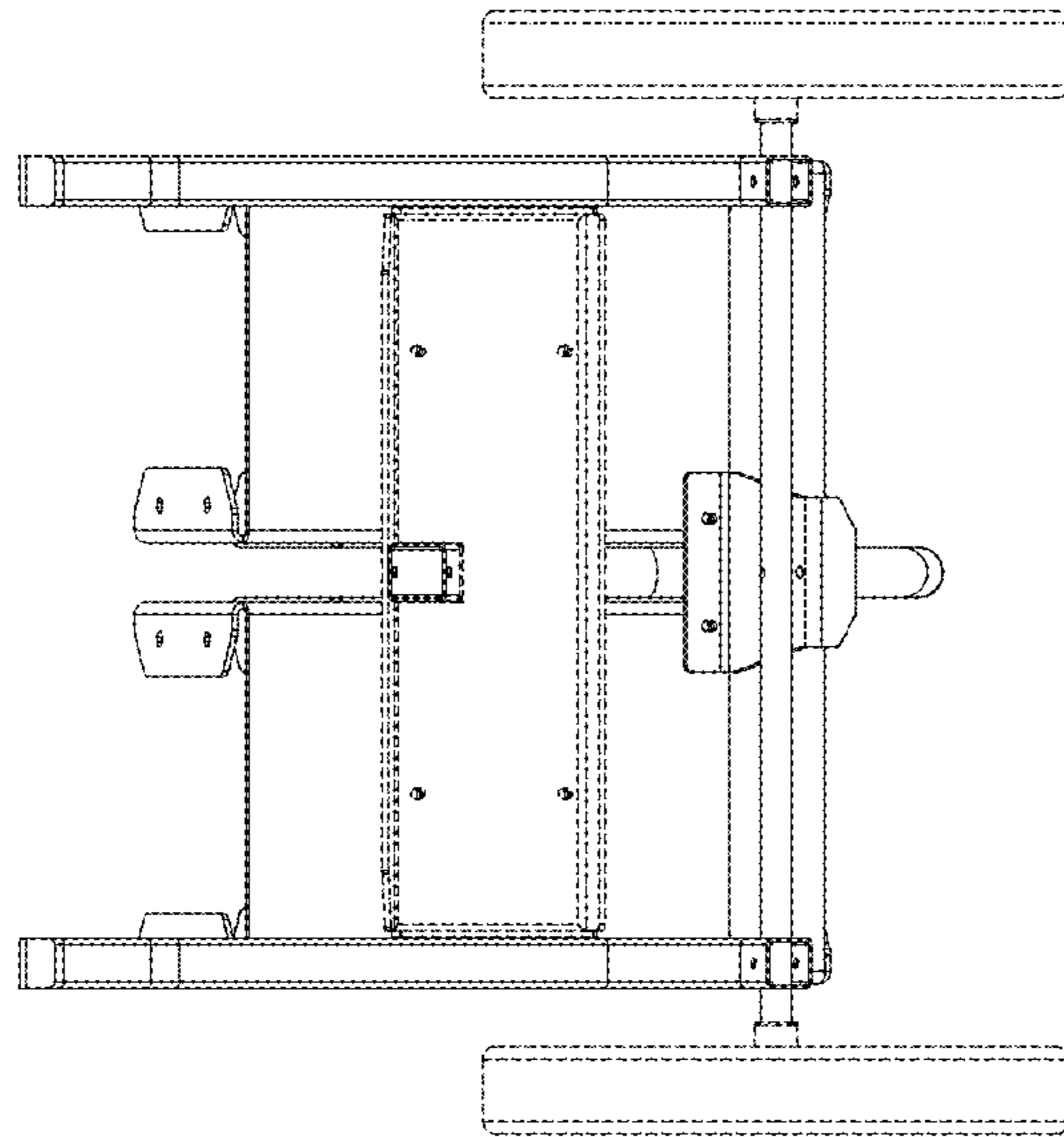


FIG. 6

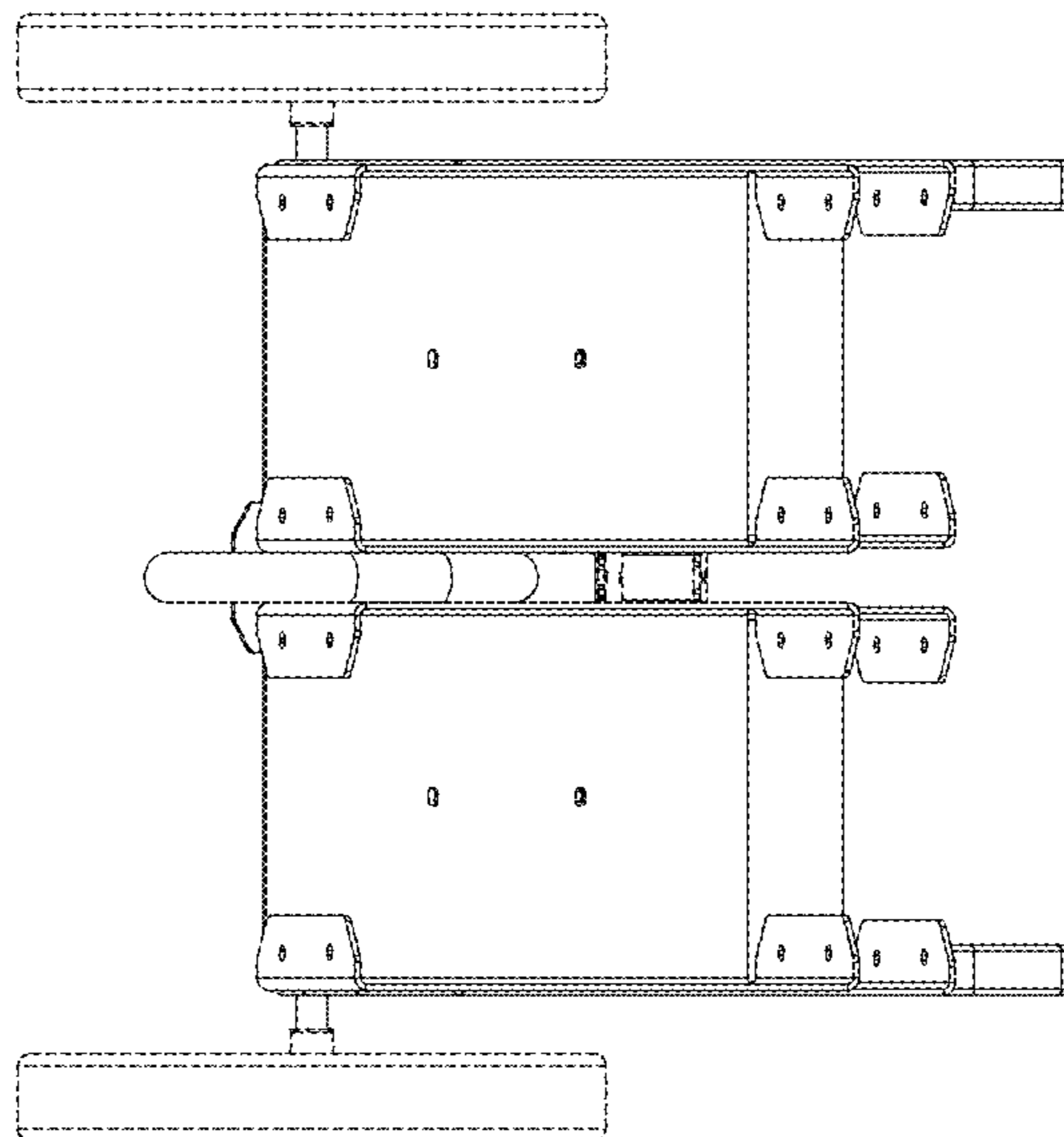


FIG. 5

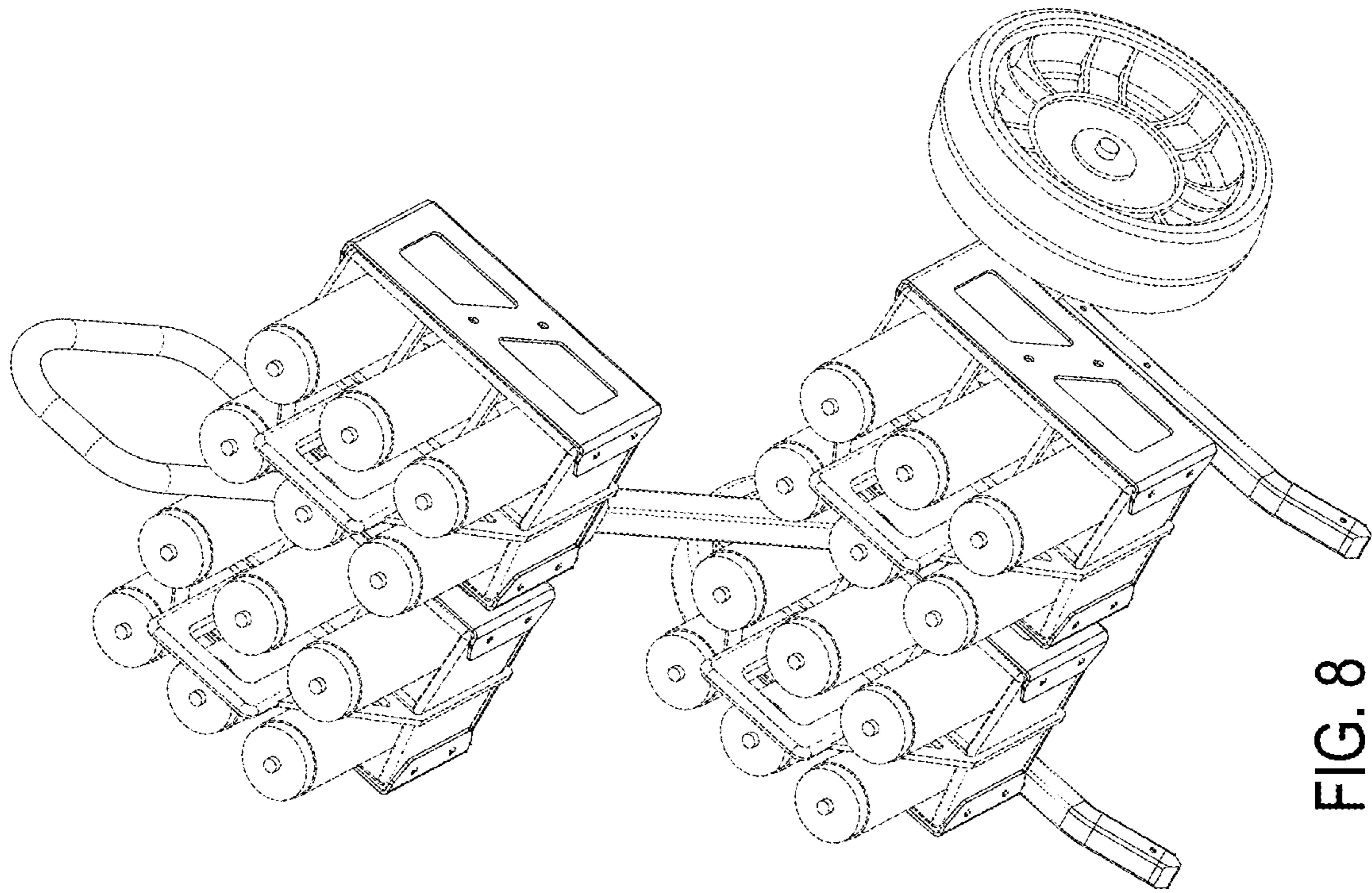


FIG. 8

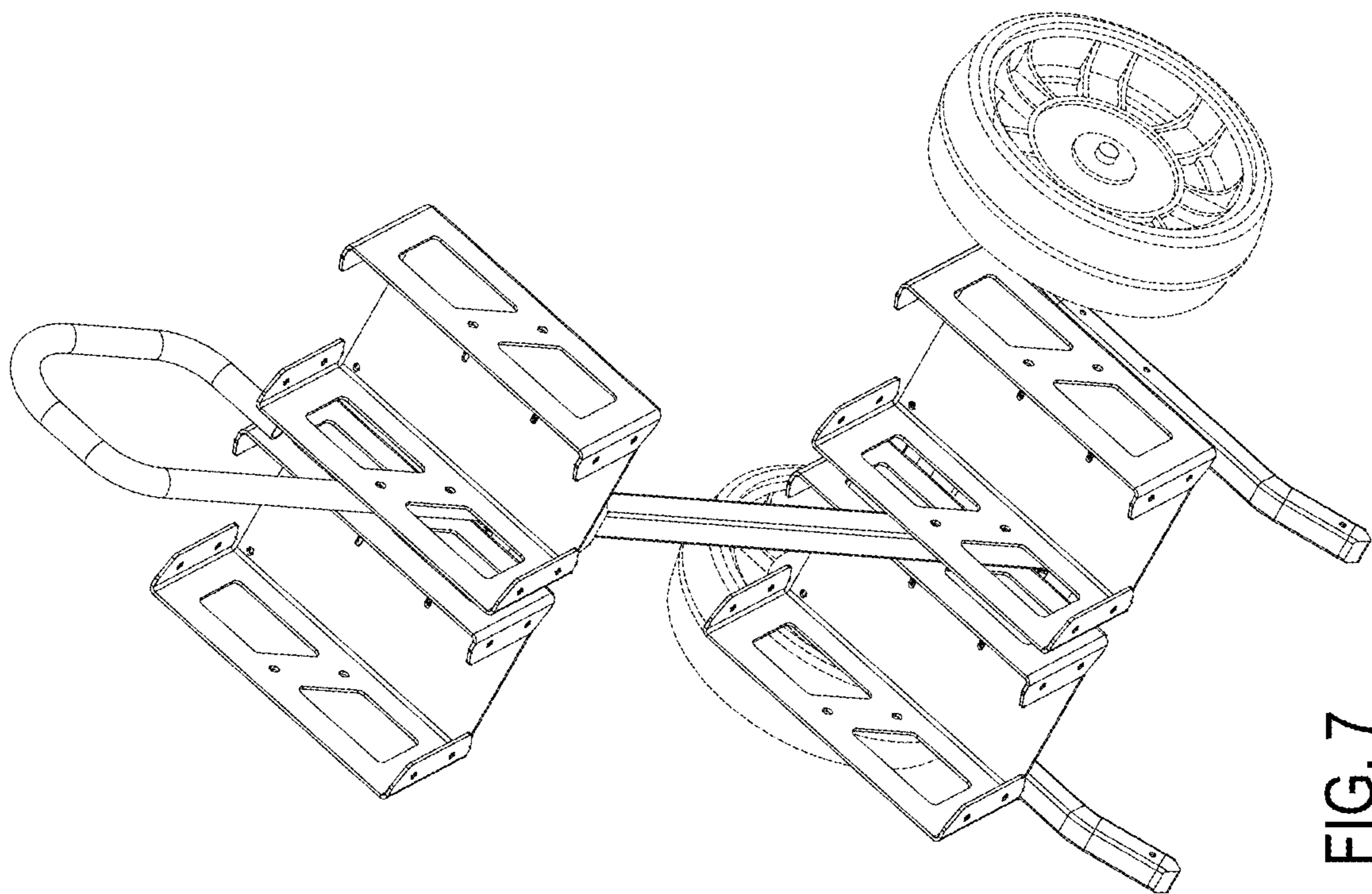


FIG. 7

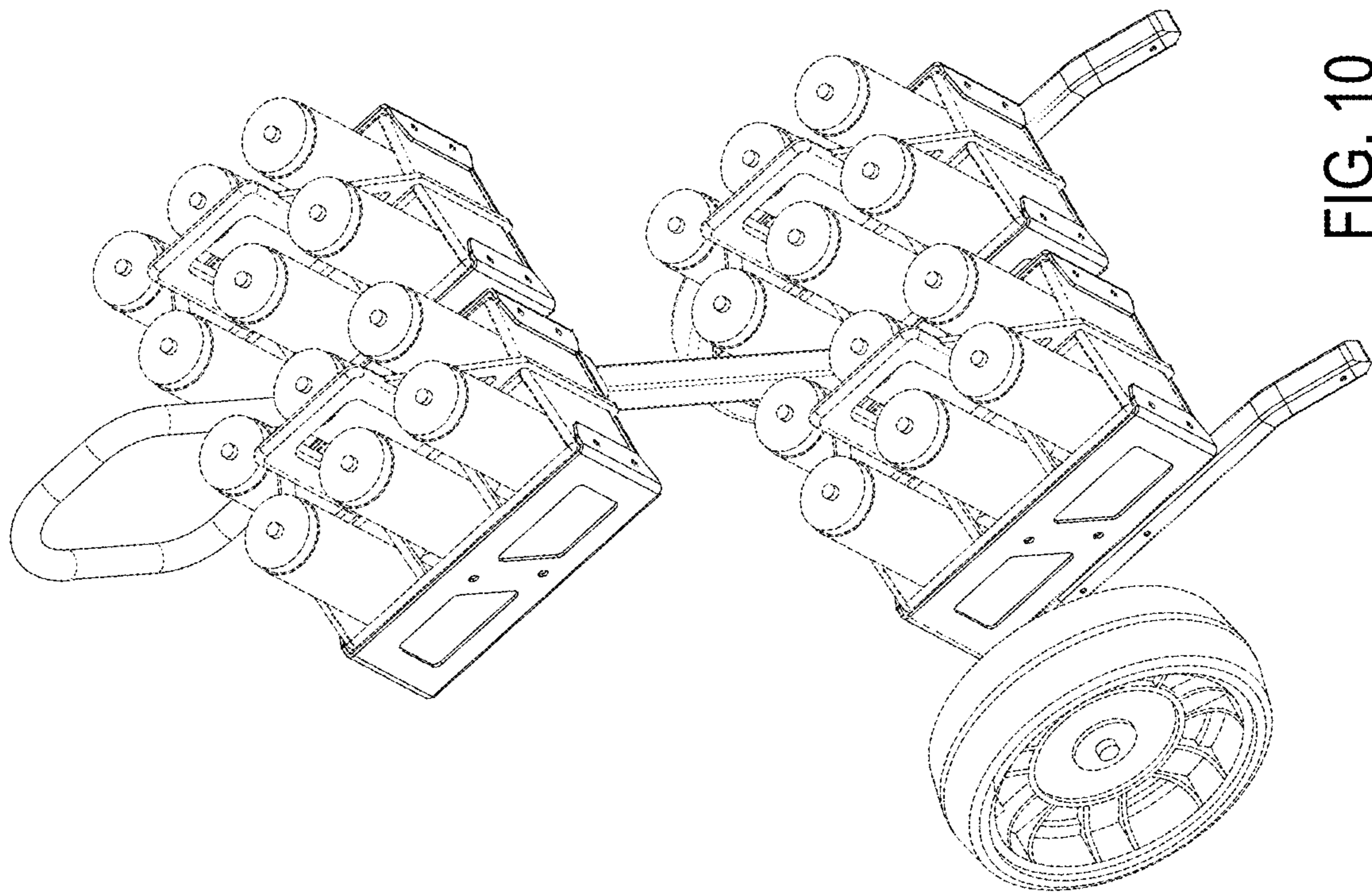


FIG. 10

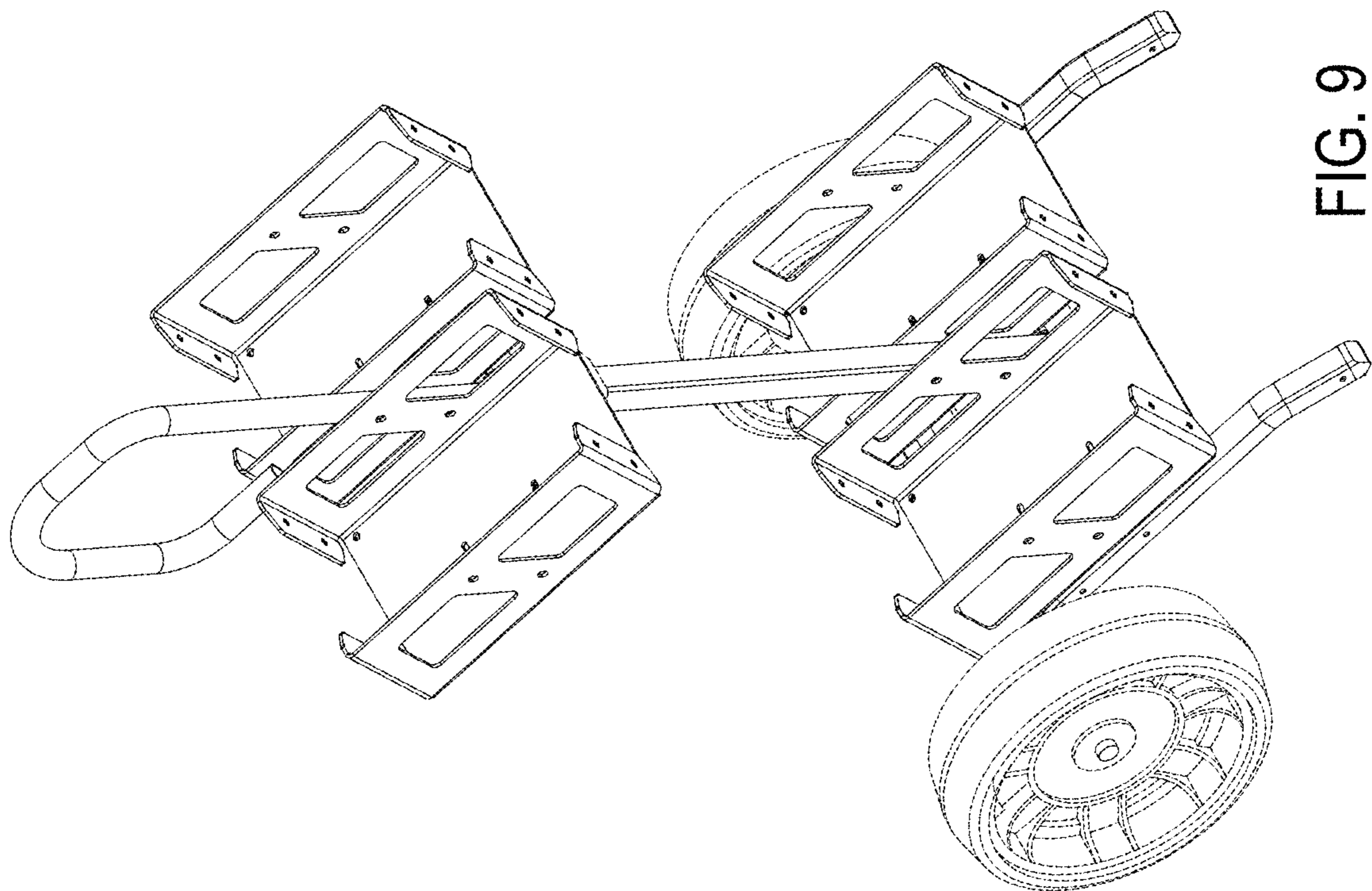


FIG. 9