



US00D923900S

(12) **United States Design Patent** (10) **Patent No.:** **US D923,900 S**
Liao (45) **Date of Patent:** **** Jun. 29, 2021**

(54) **TRASH CONTAINER**
(71) Applicant: **JIANGMEN FOREIGN TRADE GROUP CO., LTD., Jiangmen (CN)**
(72) Inventor: **Jianxin Liao, Jiangmen (CN)**
(73) Assignee: **JIANGMEN FOREIGN TRADE GROUP CO., LTD., Jiangmen (CN)**
(**) Term: **15 Years**
(21) Appl. No.: **29/759,117**
(22) Filed: **Nov. 20, 2020**
(51) **LOC (13) Cl.** **09-09**
(52) **U.S. Cl.**
USPC **D34/9**
(58) **Field of Classification Search**
USPC D34/1, 7, 9
CPC B65F 1/163; B65F 1/08; B65F 1/1421;
B65F 1/068; B65F 1/1473; B65F 1/06;
B65F 1/1607; B65D 43/26
See application file for complete search history.

(56) **References Cited**
U.S. PATENT DOCUMENTS
2,895,782 A * 7/1959 Fragale D06F 95/002
312/290
D330,618 S * 10/1992 Browning D34/1
D332,334 S * 1/1993 Jones D34/1
D463,084 S * 9/2002 Forest D34/1
D627,944 S 11/2010 Wang et al.
D730,007 S 5/2015 Machen
D761,514 S * 7/2016 Harbhajan D34/1
D795,521 S * 8/2017 Han D34/7
D872,408 S * 1/2020 Liao D34/9
D877,441 S * 3/2020 Zhou D34/9
D882,202 S * 4/2020 Lu D34/9
D882,903 S * 4/2020 Chen D34/9

D886,402 S * 6/2020 Chen D34/9
D891,488 S * 7/2020 McKee D15/79
D905,367 S * 12/2020 Smeets D34/9
2009/0230131 A1 * 9/2009 McDuffie B65F 1/163
220/495.06
2018/0257859 A1 * 9/2018 Shek B65F 1/163
2019/0062046 A1 * 2/2019 Flores B65F 1/16

FOREIGN PATENT DOCUMENTS

CN 202864169 U * 4/2013

* cited by examiner

Primary Examiner — Cynthia Ramirez

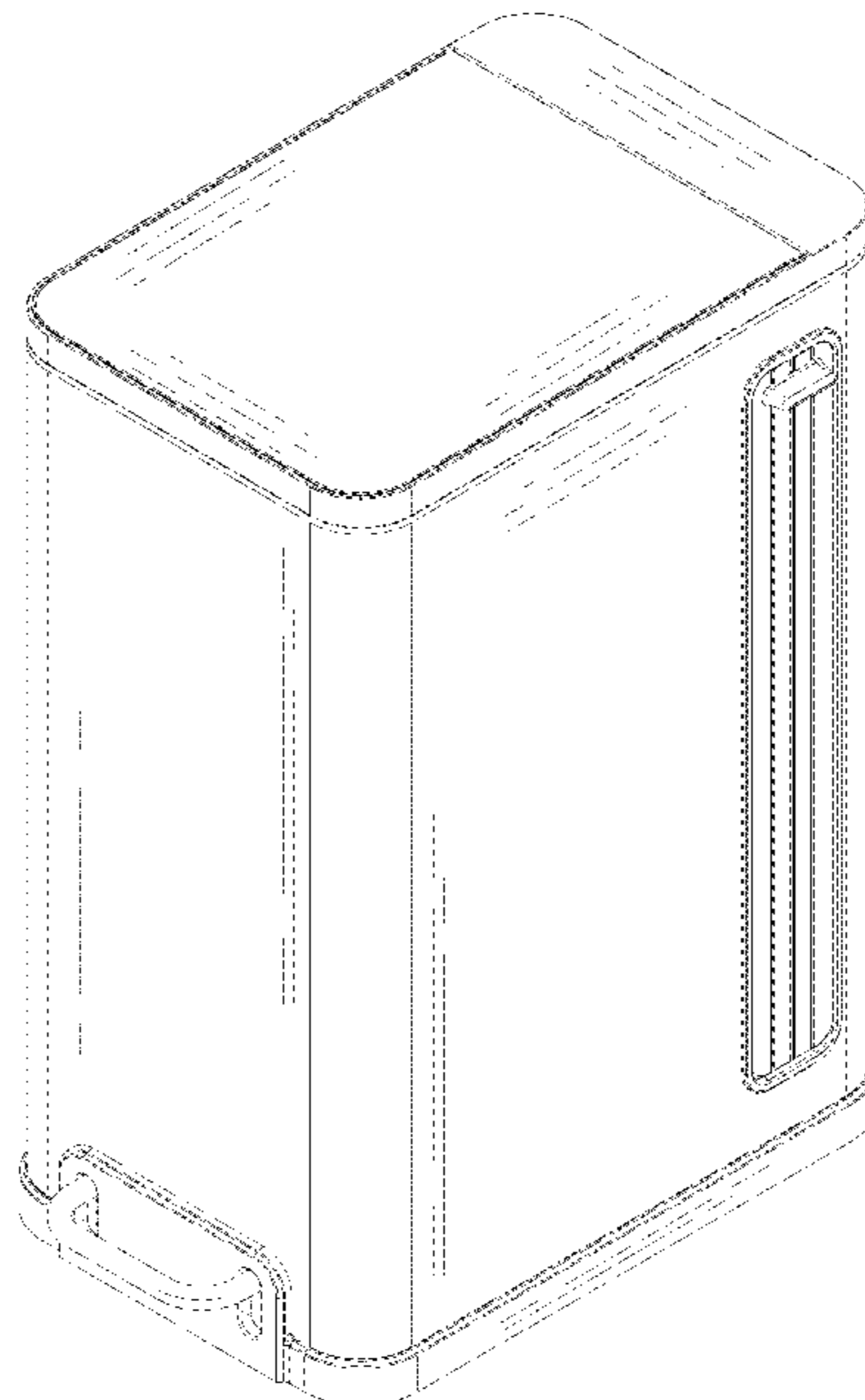
(57) **CLAIM**

The ornamental design for a trash container, as shown and described.

DESCRIPTION

FIG. 1 is a perspective view of a trash container showing my new design;
FIG. 2 is another perspective view of the trash container;
FIG. 3 is a perspective view of the trash container where the trash container is in a configuration of use;
FIG. 4 is a front elevational view of the trash container shown in FIG. 1;
FIG. 5 is a rear elevational view of the trash container shown in FIG. 1;
FIG. 6 is a left side elevational view of the trash container shown in FIG. 1;
FIG. 7 is a right side elevational view of the trash container shown in FIG. 1;
FIG. 8 is a top plan view of the trash container shown in FIG. 1; and,
FIG. 9 is a bottom plan view of the trash container shown in FIG. 1.
The broken lines in the figures show portions of the trash container, which form no part of the claimed design.

1 Claim, 9 Drawing Sheets



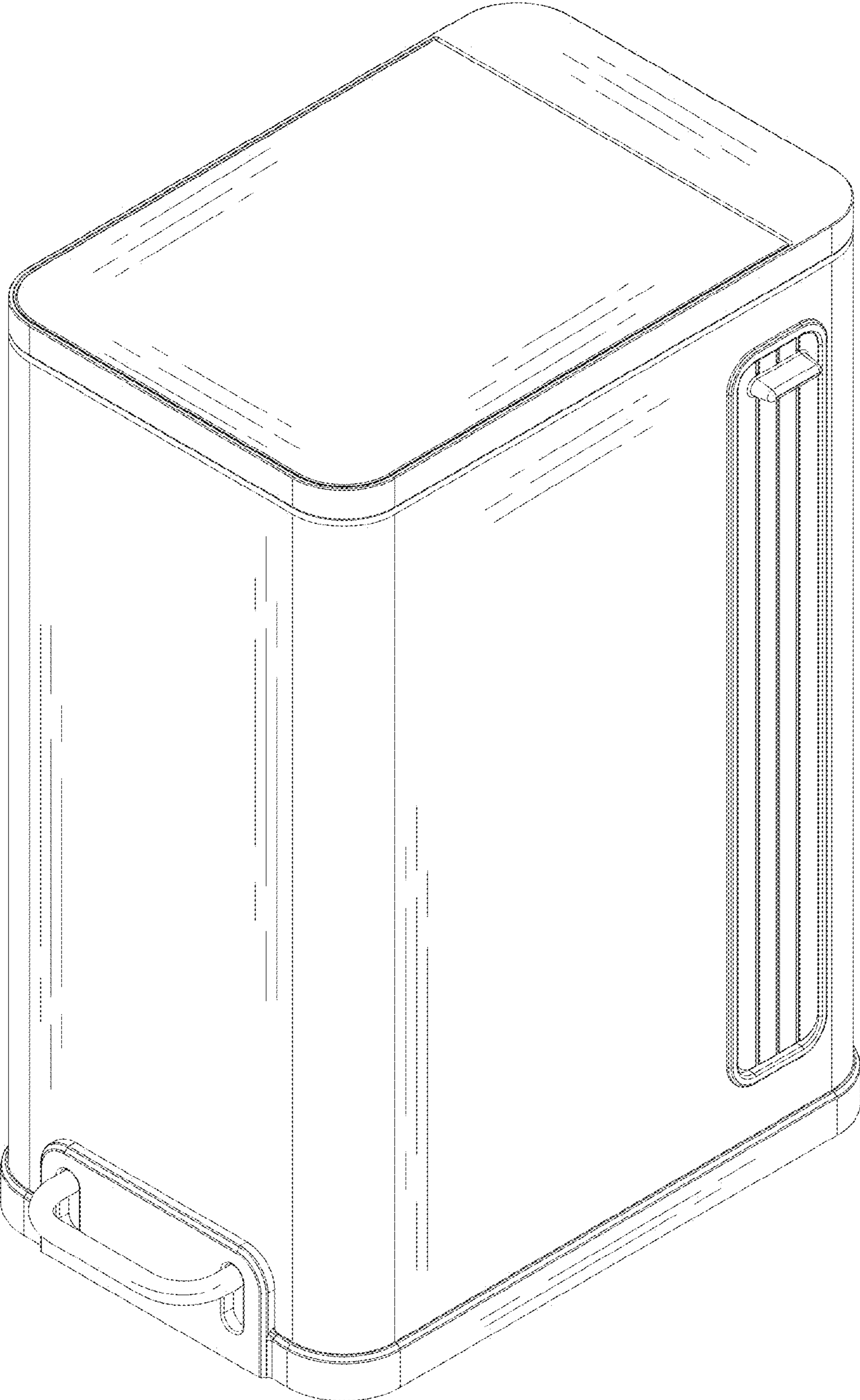


FIG. 1

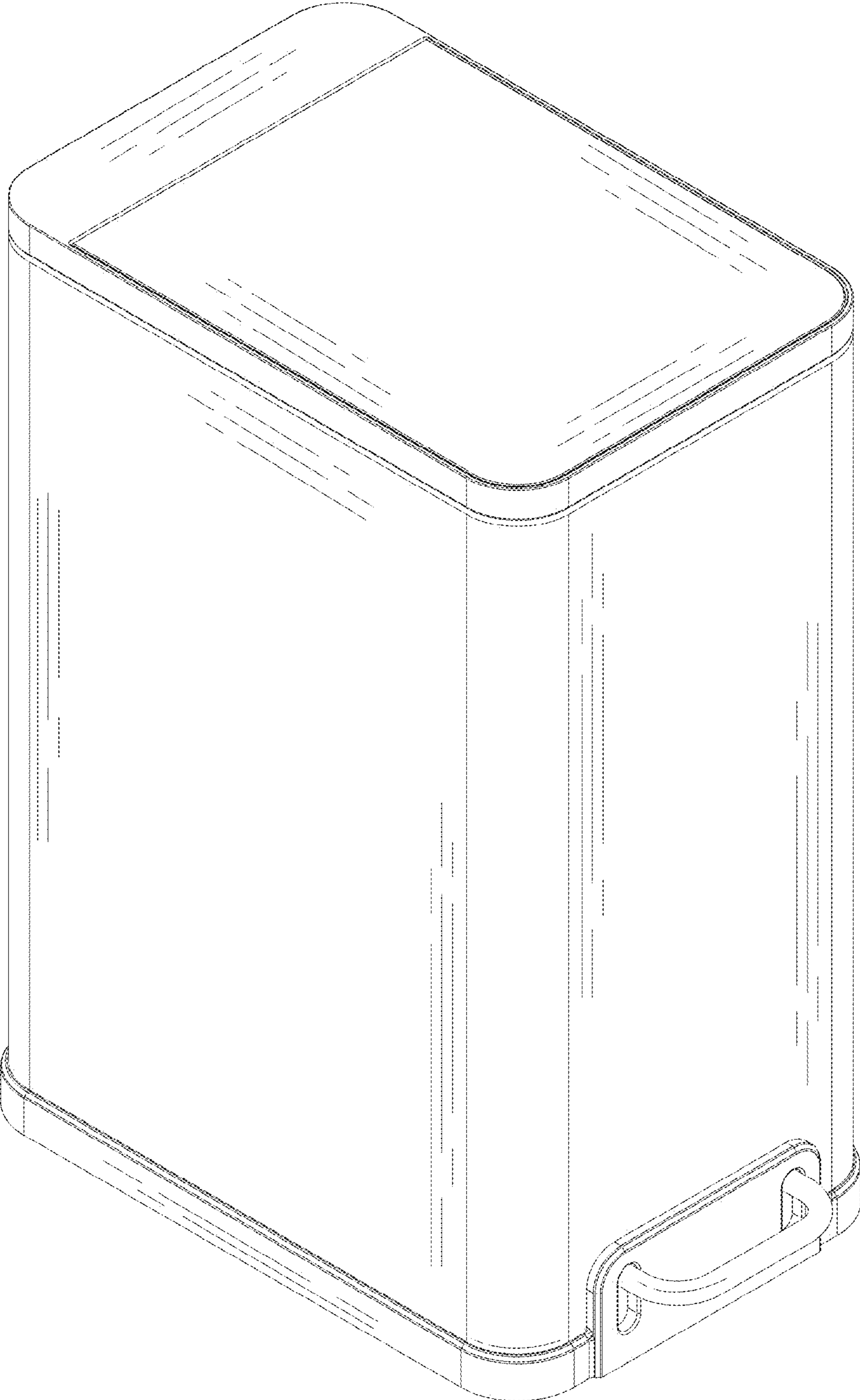


FIG. 2

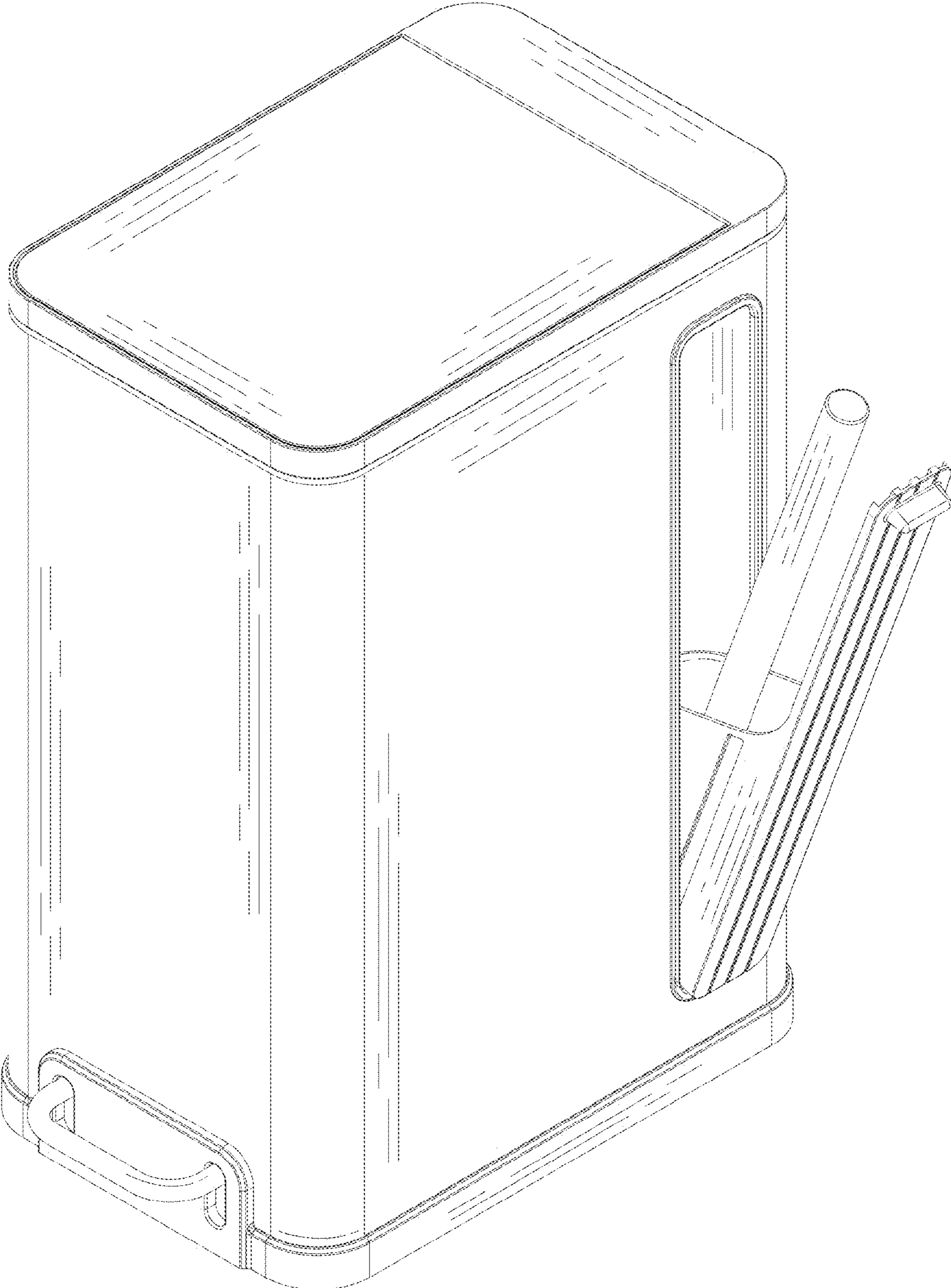


FIG. 3

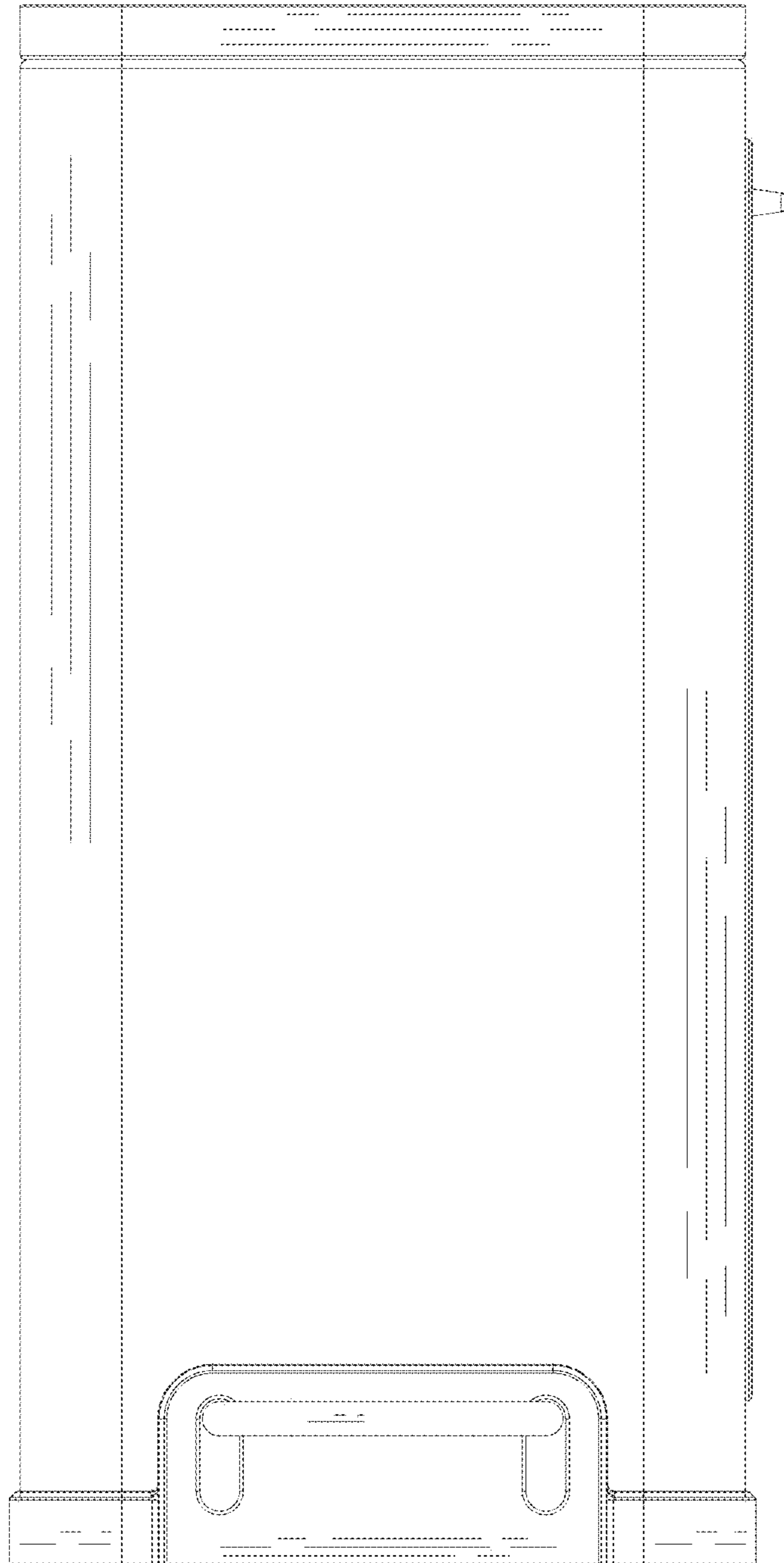


FIG. 4

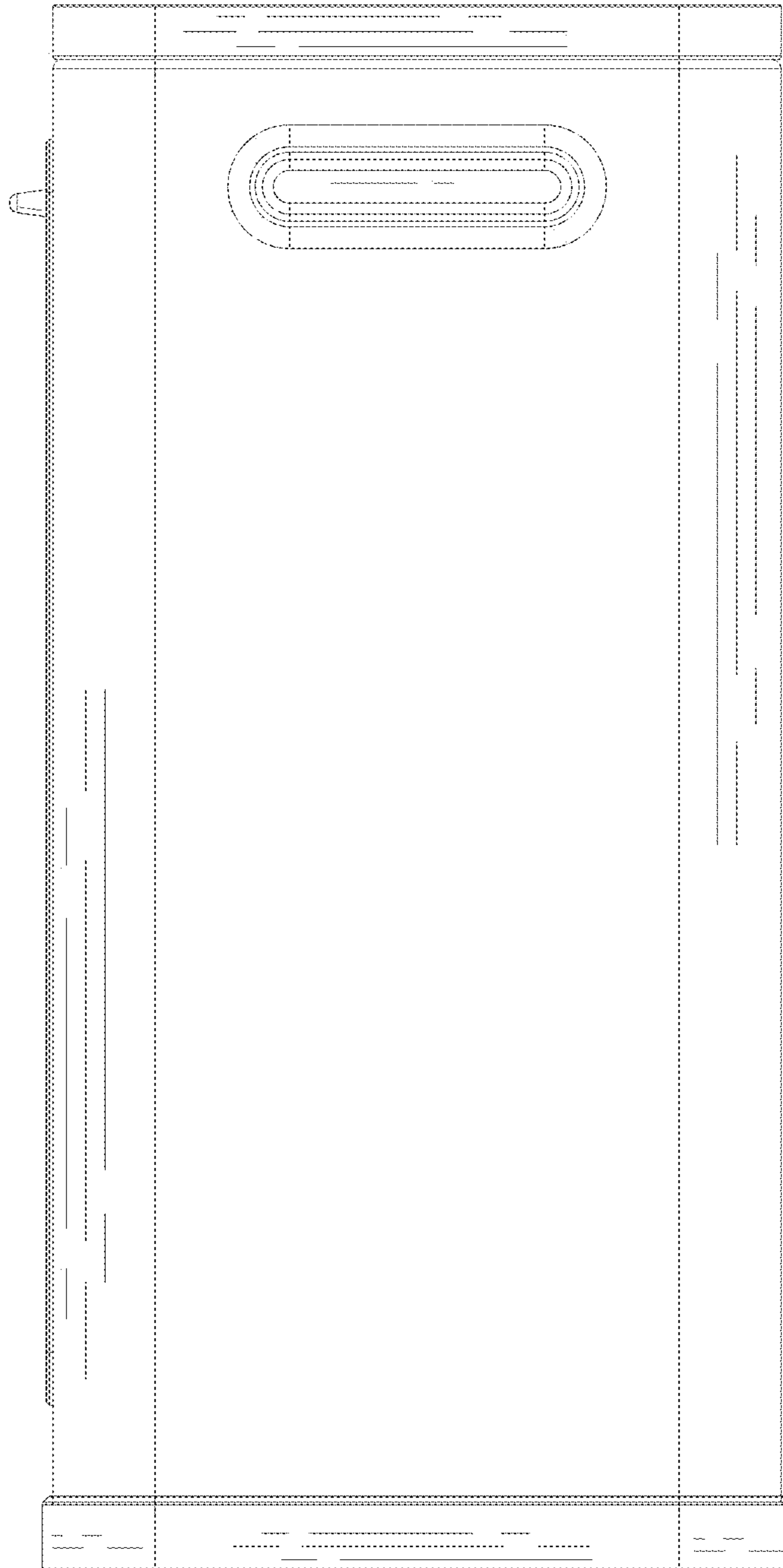


FIG. 5

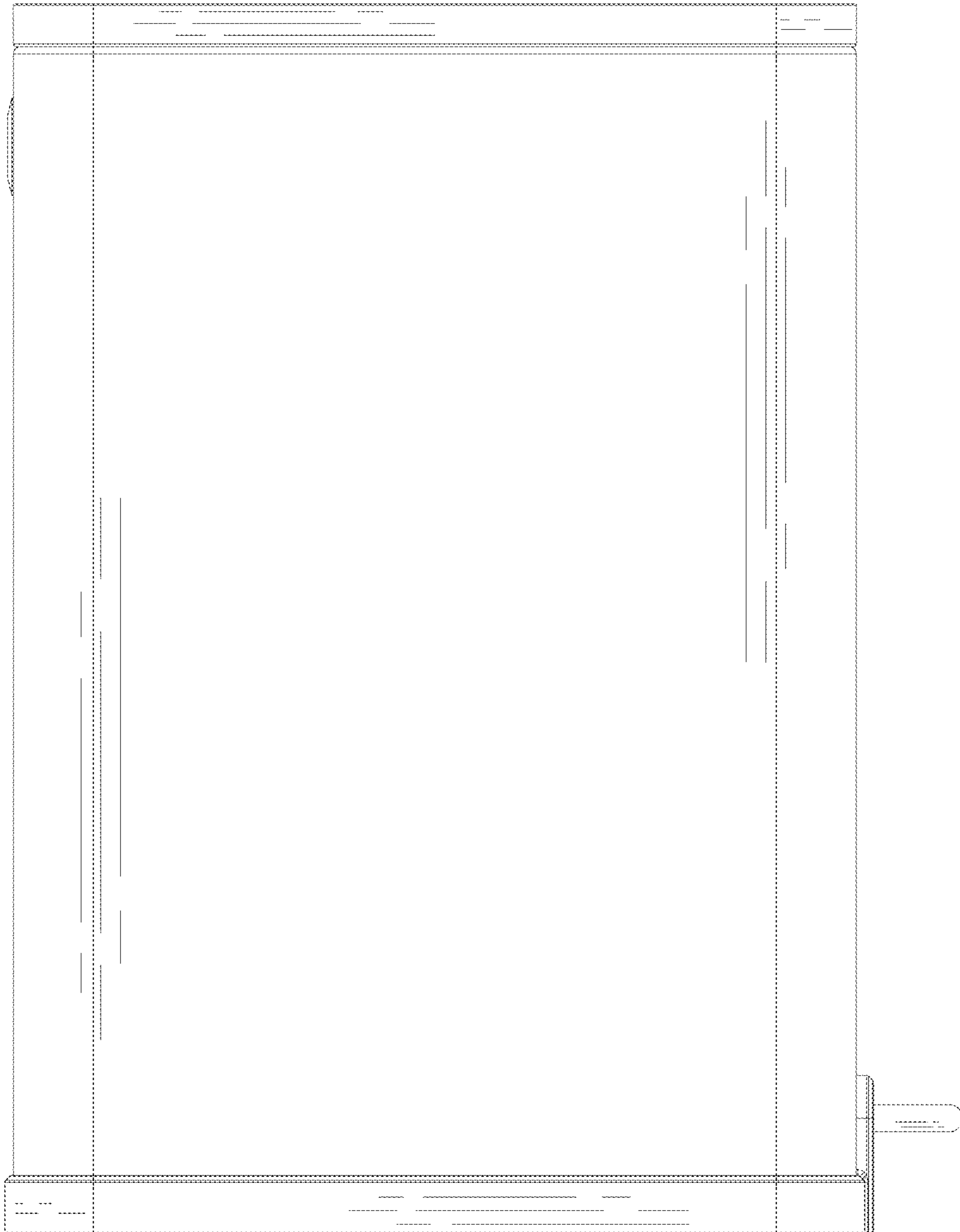


FIG. 6

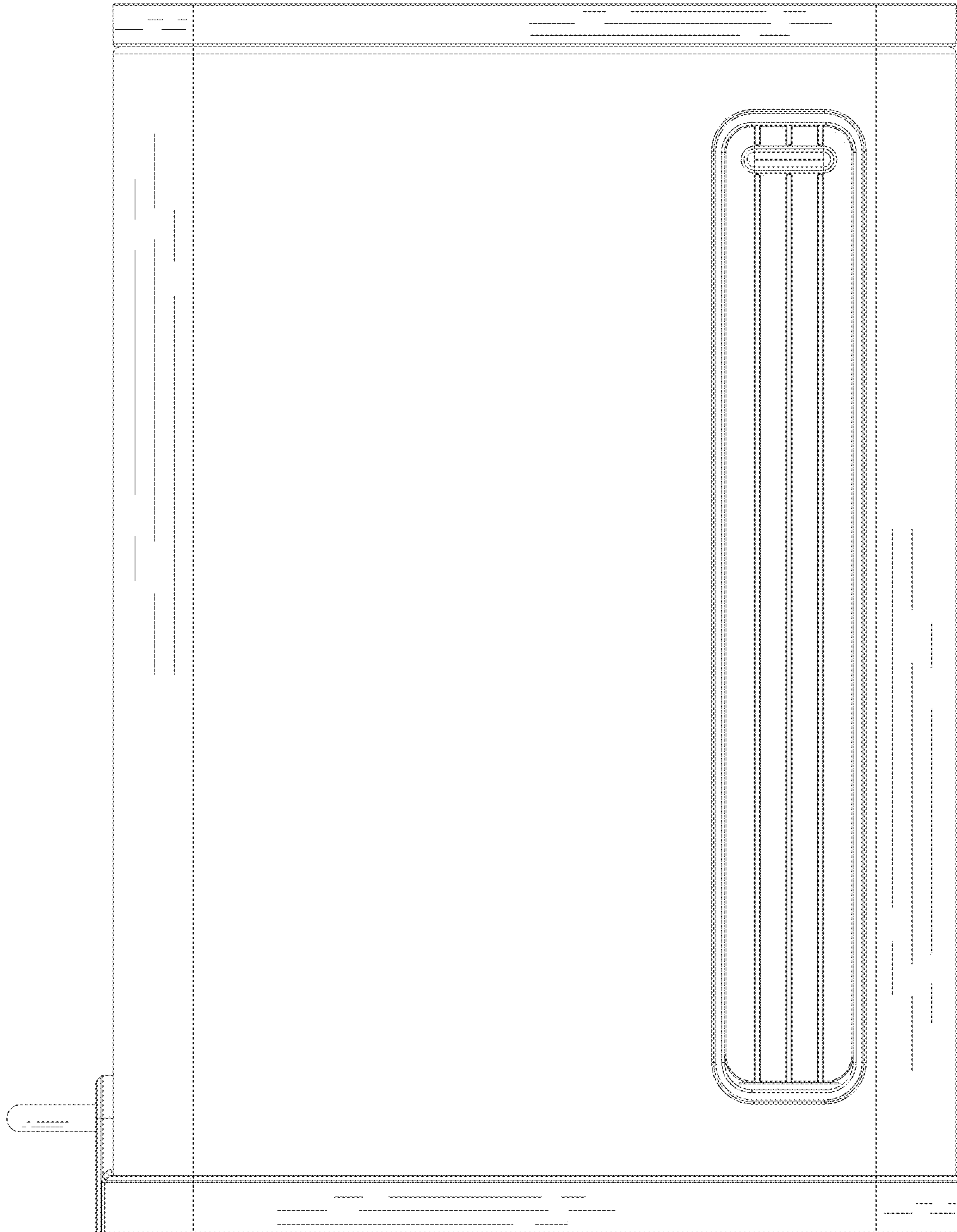


FIG. 7

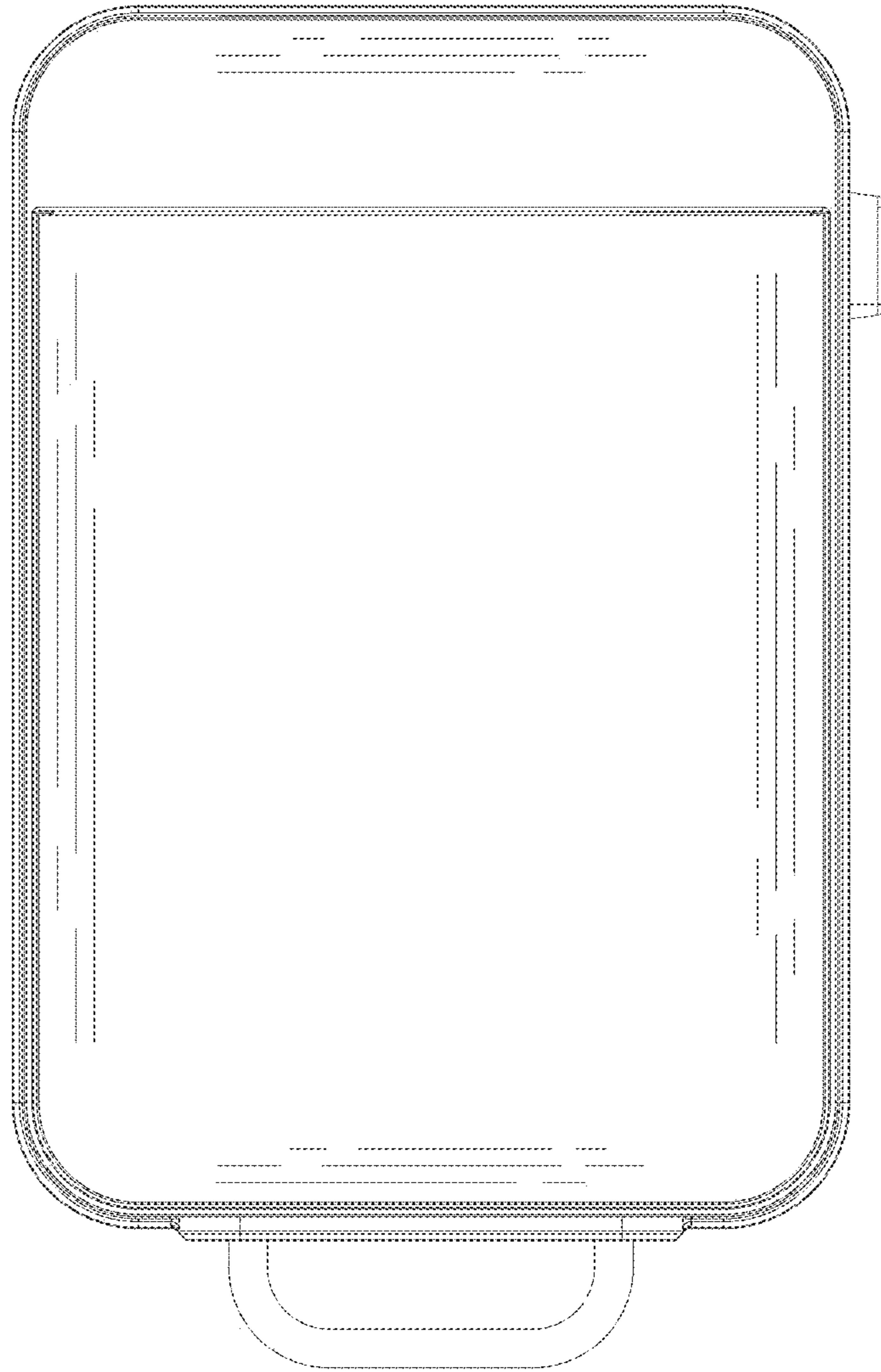


FIG. 8

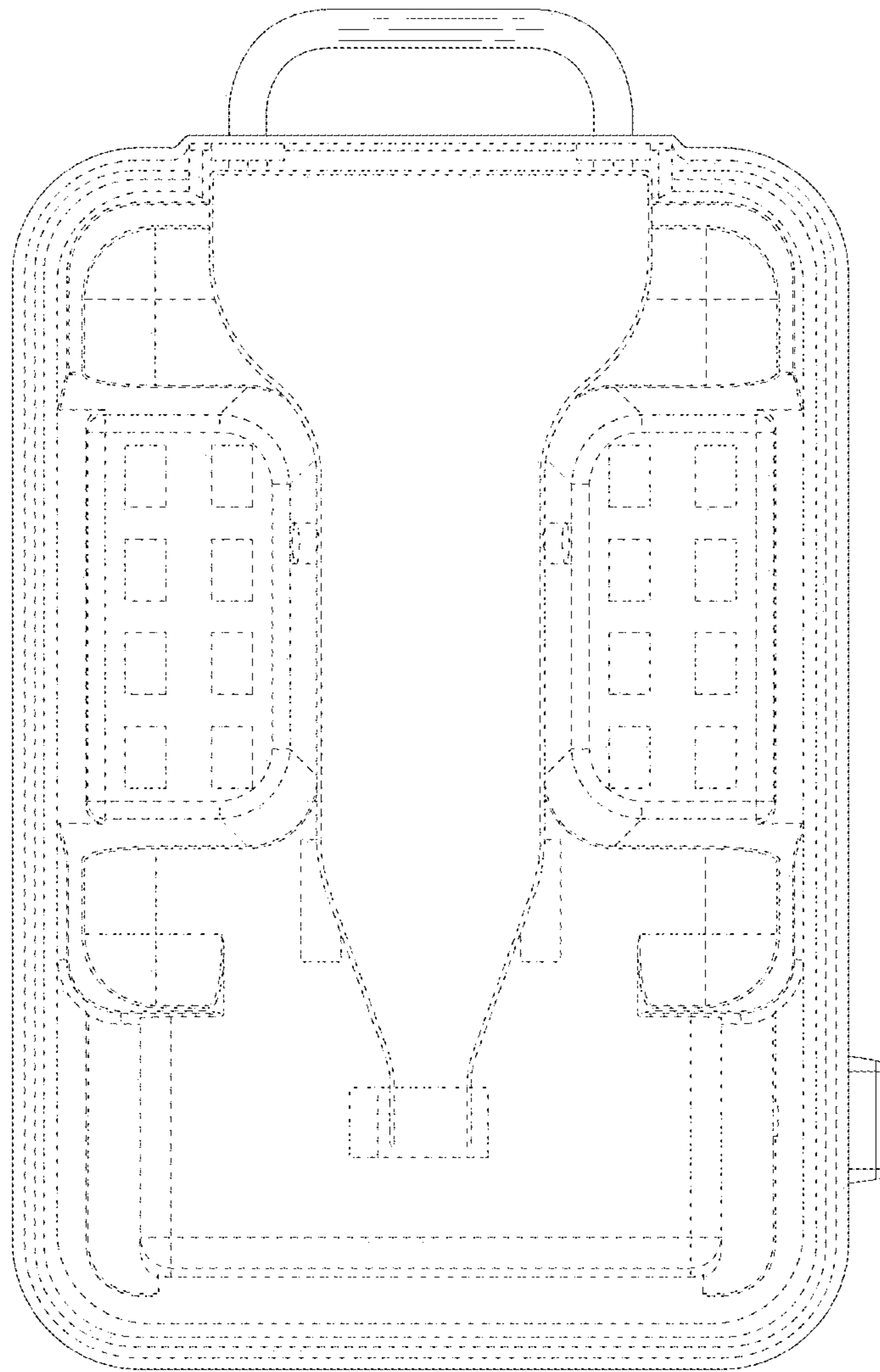


FIG. 9