



US00D923899S

(12) **United States Design Patent** (10) **Patent No.:** **US D923,899 S**
Healy et al. (45) **Date of Patent:** **** Jun. 29, 2021**

(54) **DIAPER PAIL**

- (71) Applicant: **Skip Hop, Inc.**, New York, NY (US)
(72) Inventors: **John Healy**, Brooklyn, NY (US);
Benjamin Bearsch, Brooklyn, NY (US); **Janet Villano**, Jersey City, NJ (US)
(73) Assignee: **SKIP HOP, INC.**, New York, NY (US)
(**) Term: **15 Years**

- (21) Appl. No.: **29/706,857**
(22) Filed: **Sep. 24, 2019**
(51) **LOC (13) Cl.** **09-09**
(52) **U.S. Cl.**
USPC **D34/7**
(58) **Field of Classification Search**
USPC D34/1-11; D9/737, 738, 770, 772, 777,
D9/778; D7/603, 604, 605, 608
CPC B65F 1/00; B65F 1/163; B65F 1/1638;
B65F 1/0033; B65F 1/16; B65F 1/122;
B65F 2001/1489; B65F 2240/132; Y10S
220/908; A01K 1/001
See application file for complete search history.

(56) **References Cited**

U.S. PATENT DOCUMENTS

4,823,979 A	4/1989	Clark, Jr.	
5,111,951 A	5/1992	Breen et al.	
5,385,259 A	1/1995	Bernstein et al.	
5,520,303 A	5/1996	Bernstein et al.	
5,535,913 A	7/1996	Asbach et al.	
5,655,680 A	8/1997	Asbach et al.	
6,123,215 A	9/2000	Windle	
6,370,847 B1	4/2002	Jensen et al.	
6,516,588 B2	2/2003	Jensen et al.	
D534,702 S *	1/2007	Wang	D34/9

(Continued)

OTHER PUBLICATIONS

Good Housekeeping Article, announced May 10, 2019 [online], [site visited Aug. 19, 2020]. Available from internet, URL: <https://www.goodhousekeeping.com/childrens-products/g27419423/jpma-show-editors-picks-2019/> (Year: 2019).*

Primary Examiner — George A Bugg
Assistant Examiner — Tamara L Hahn

(74) *Attorney, Agent, or Firm* — Stephen J. Weyer, Esq.; James R. Hayne, Esq.; Stites & Harbison, PLLC

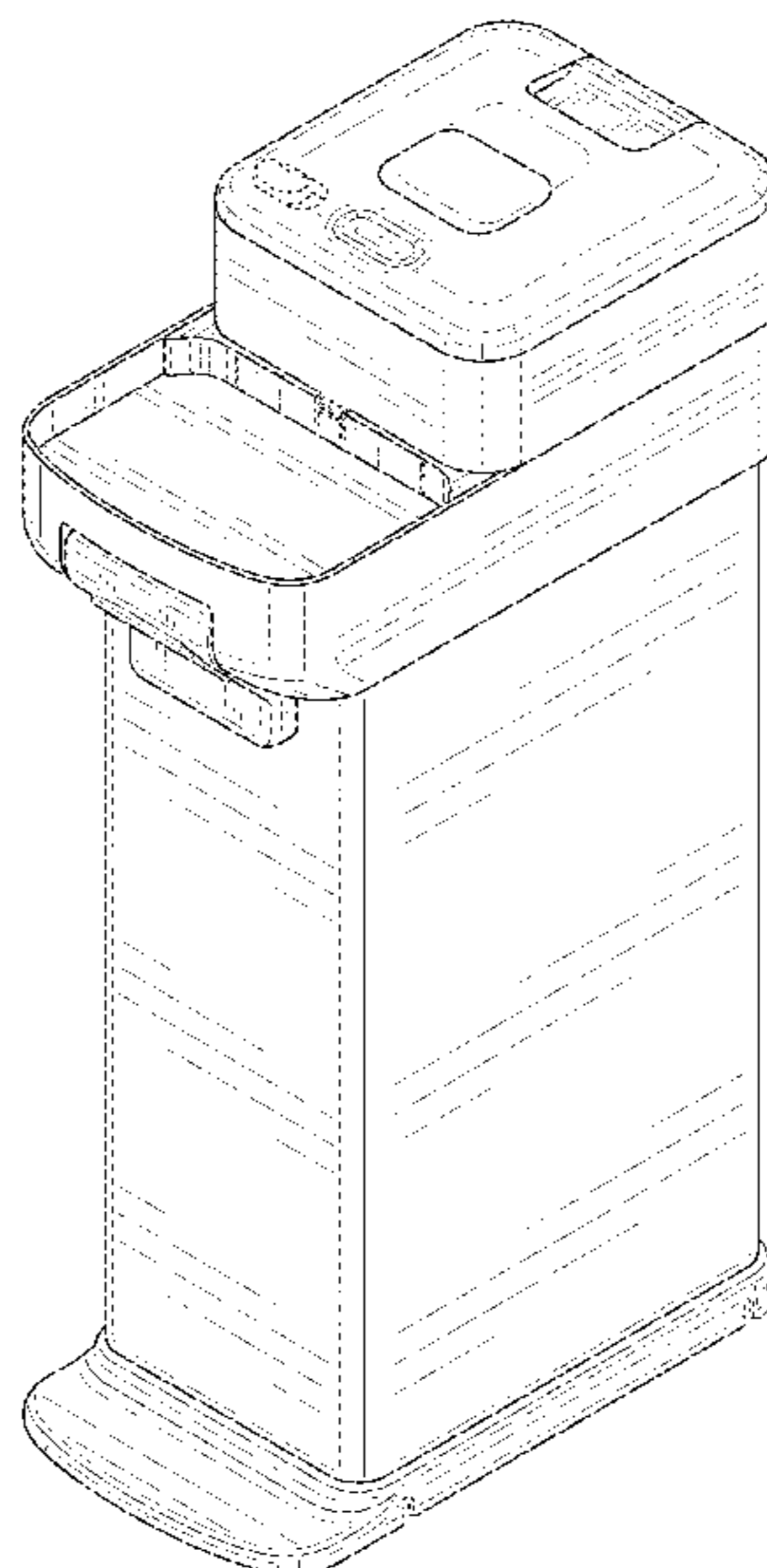
(57) **CLAIM**

The ornamental design for a diaper pail, as shown and described.

DESCRIPTION

FIG. 1 is a top, front, and right side perspective view of the diaper pail of the present invention.
FIG. 2 is a top plan view thereof.
FIG. 3 is a right side elevation view of thereof.
FIG. 4 is a left side elevation view of thereof.
FIG. 5 is a front elevation view thereof.
FIG. 6 is a rear elevation view thereof.
FIG. 7 is a top, rear, and left side perspective view thereof.
FIG. 8 is a top, front, and right side perspective view of the diaper pail of the present invention shown in use with a bin connected to the diaper pail, the bin being environment and forming no part of the claimed design; and,
FIG. 9 is a top, front, and right side perspective view of the diaper pail of the present invention shown in use with a wipes container connected to the diaper pail, the wipes container being environment and forming no part of the claimed design.
Elements drawn in dash-dash lines are included for illustrating portions of the diaper pail and form no part of the claimed design. Elements drawn in dash-dot-dash lines are included for illustrating the environment in which diaper pail is used and form no part of the claimed design.

1 Claim, 9 Drawing Sheets



(56)

References Cited

U.S. PATENT DOCUMENTS

7,406,814	B2	8/2008	Morand	
7,673,769	B2 *	3/2010	McRorie, III B65F 1/1607 220/735
8,087,532	B2	1/2012	Brown et al.	
8,210,386	B2	7/2012	Barrett et al.	
9,033,176	B2	5/2015	Liistro et al.	
9,598,207	B2	3/2017	Morand	
D795,521	S *	8/2017	Han D34/7
9,938,045	B2	4/2018	Morand	
D836,278	S *	12/2018	Berberet B08B 9/08 D34/7
D877,441	S *	3/2020	Zhou D34/9
D882,320	S *	4/2020	Wang D7/306
D891,488	S *	7/2020	McKee D15/79
D901,815	S *	11/2020	Yang D34/9
2002/0066736	A1	6/2002	Pyles	
2008/0237234	A1 *	10/2008	Yang B65F 1/1623 220/263
2011/0220655	A1 *	9/2011	Yang B65F 1/1468 220/495.09
2014/0054293	A1	2/2014	Goodfield	
2014/0332537	A1	11/2014	Goodfield	
2015/0259139	A1 *	9/2015	Yang B65F 1/163 220/263
2017/0260111	A1 *	9/2017	Maghas C05F 17/907

* cited by examiner

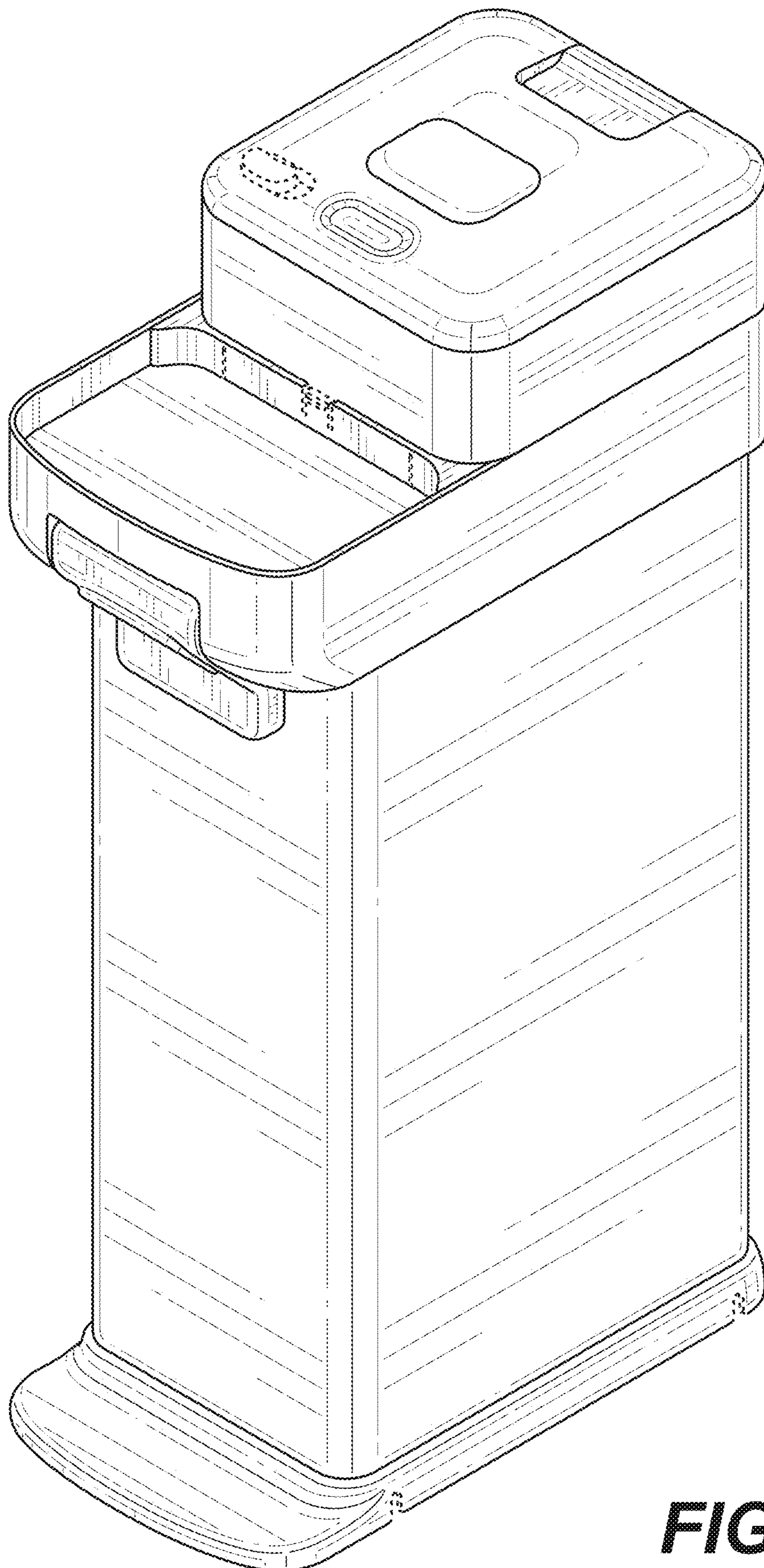


FIG. 1

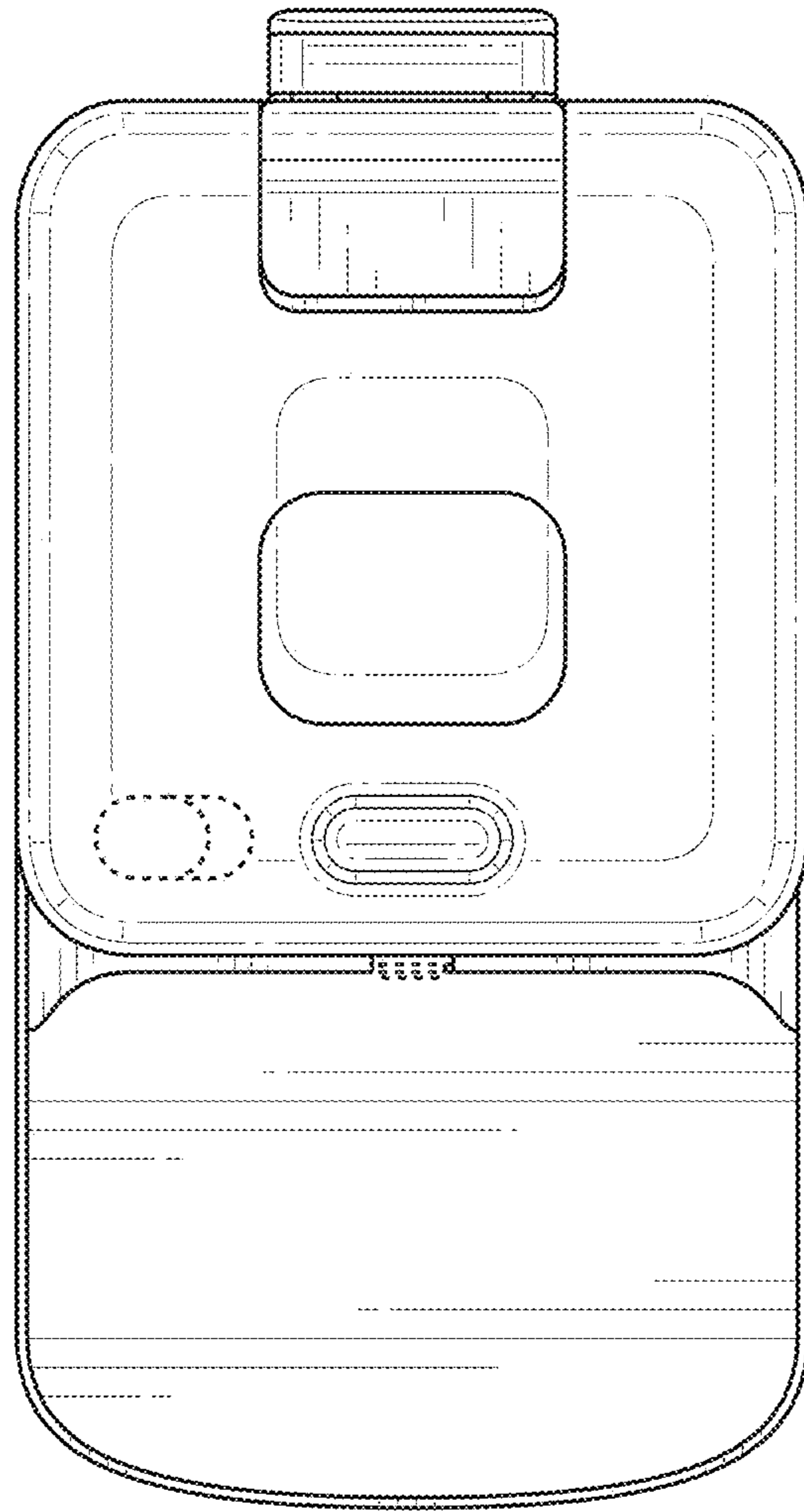


FIG. 2

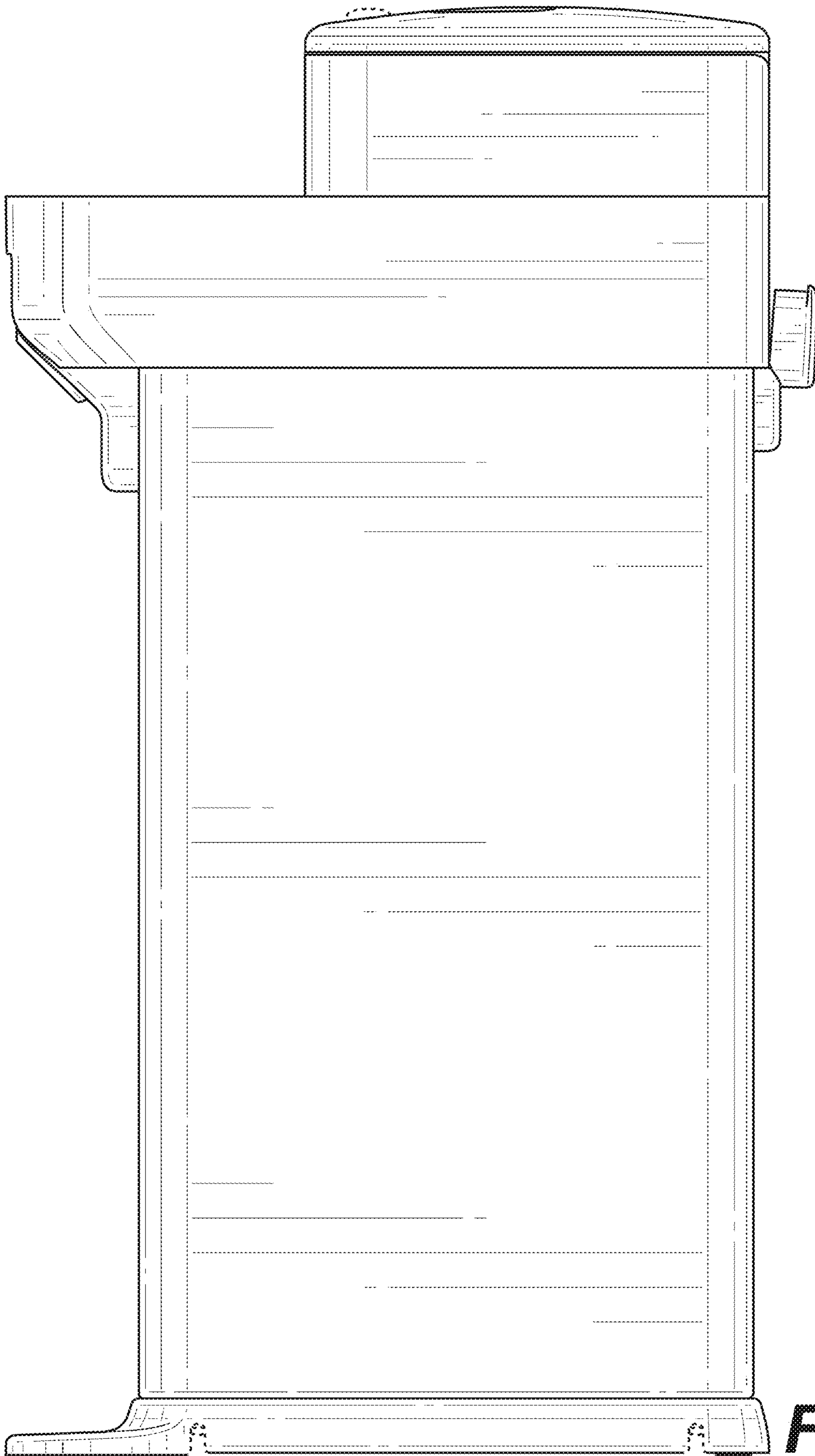


FIG. 3

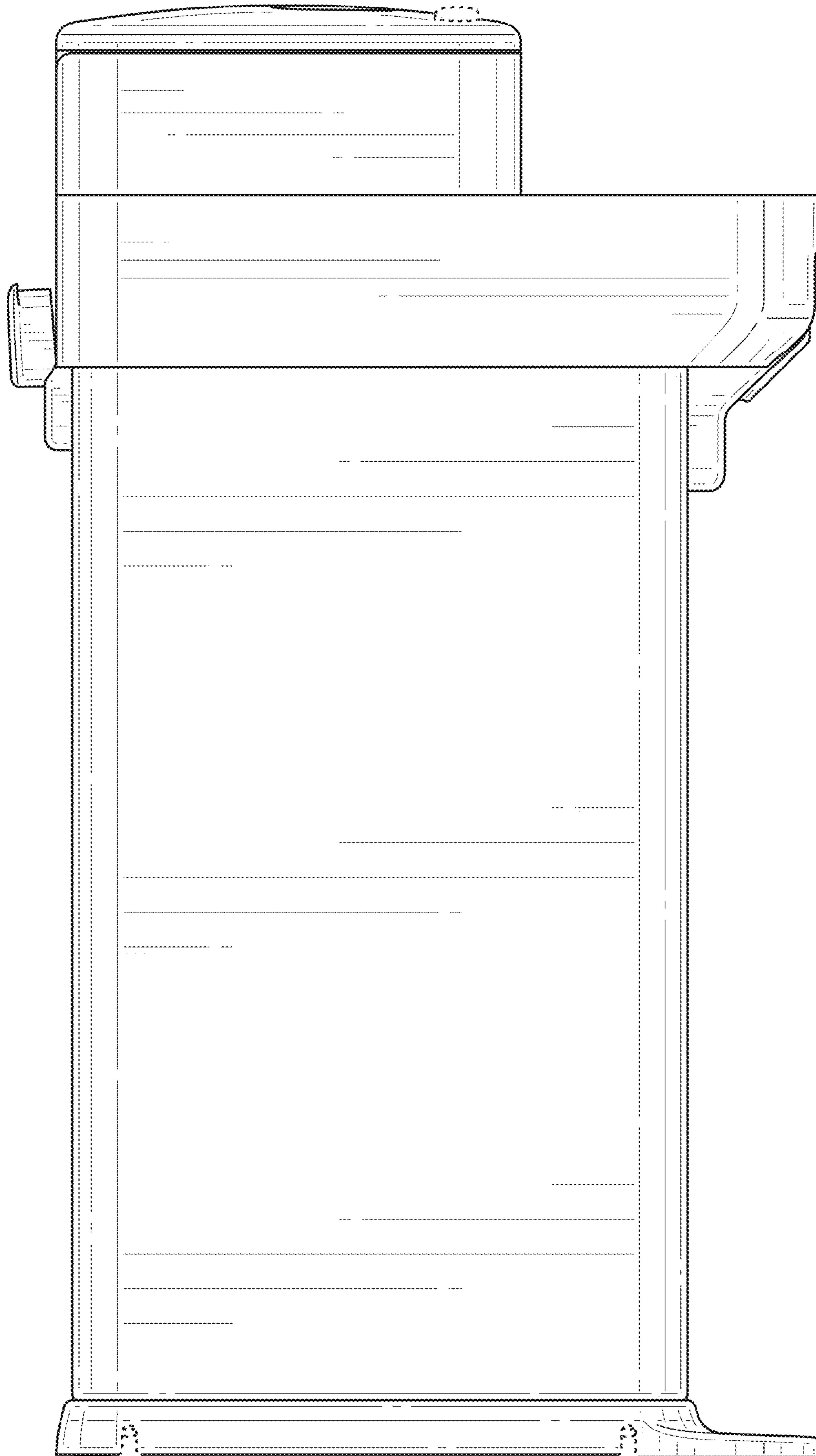


FIG. 4

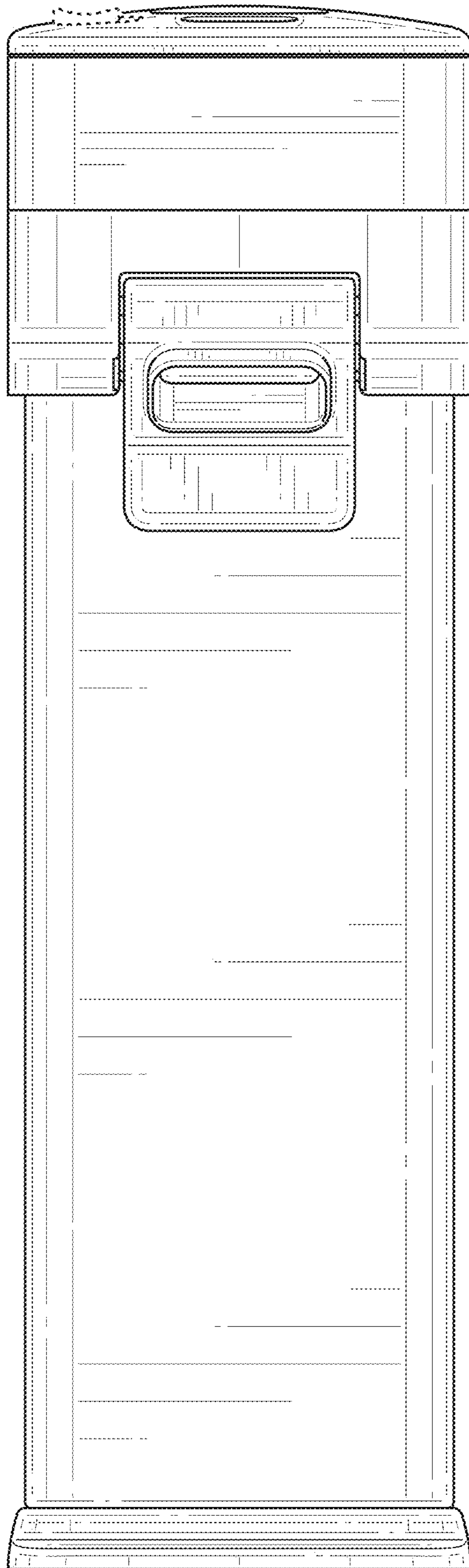


FIG. 5

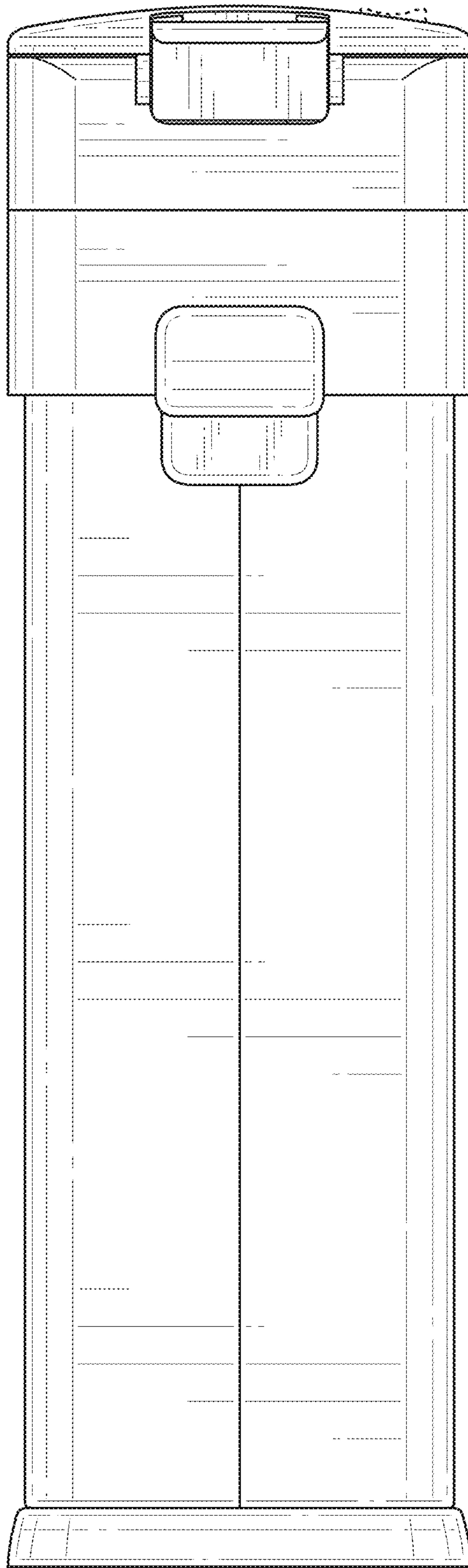


FIG. 6

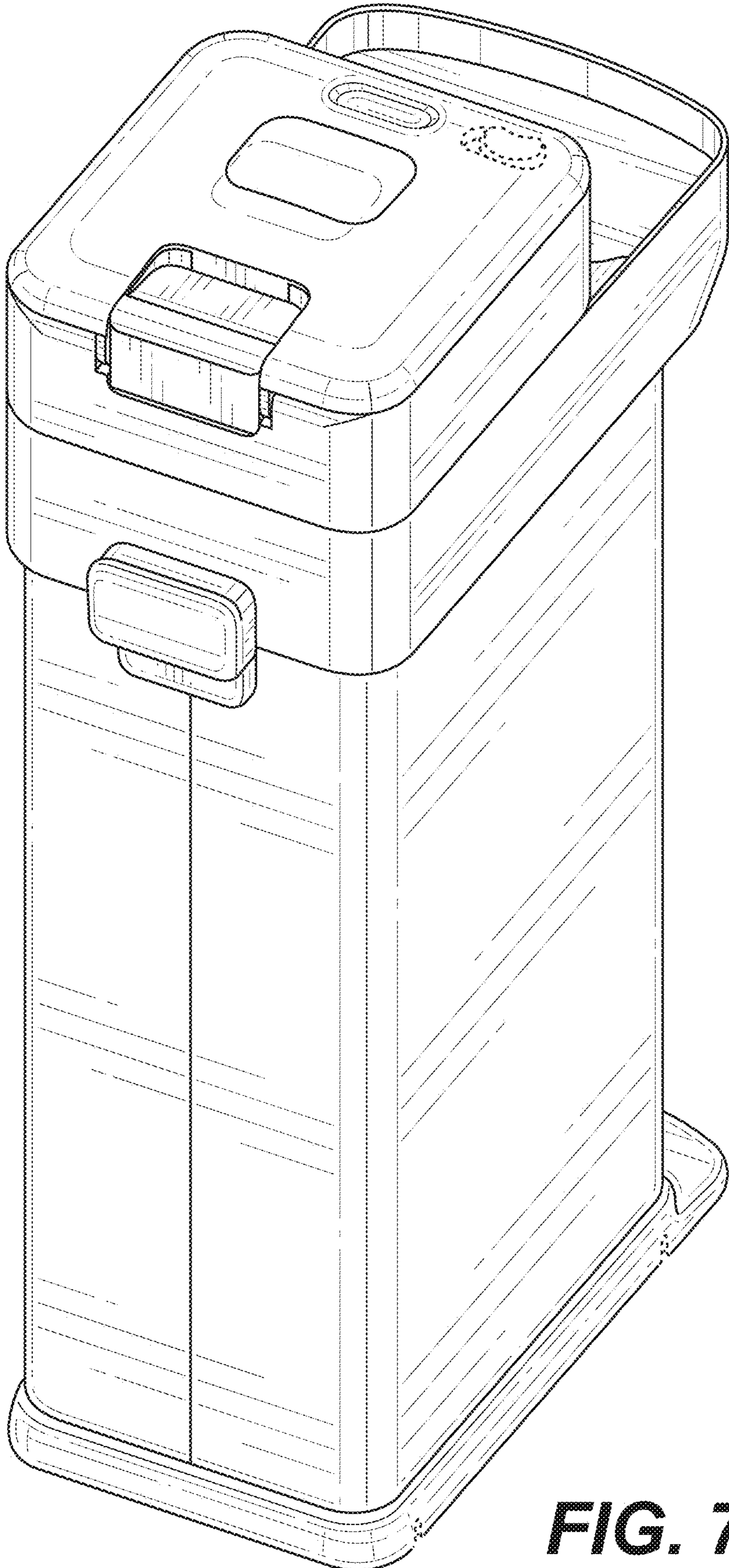


FIG. 7

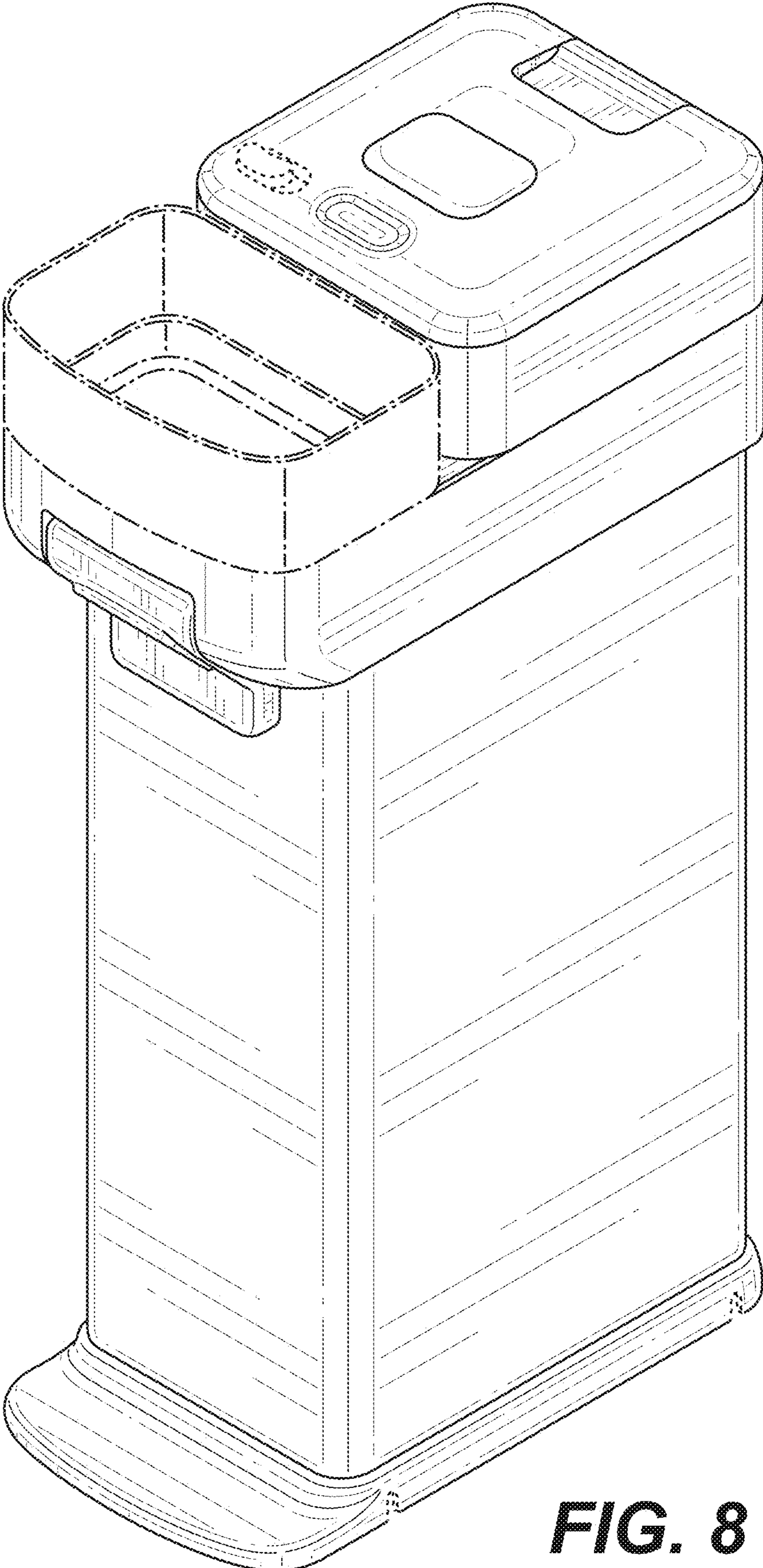


FIG. 8

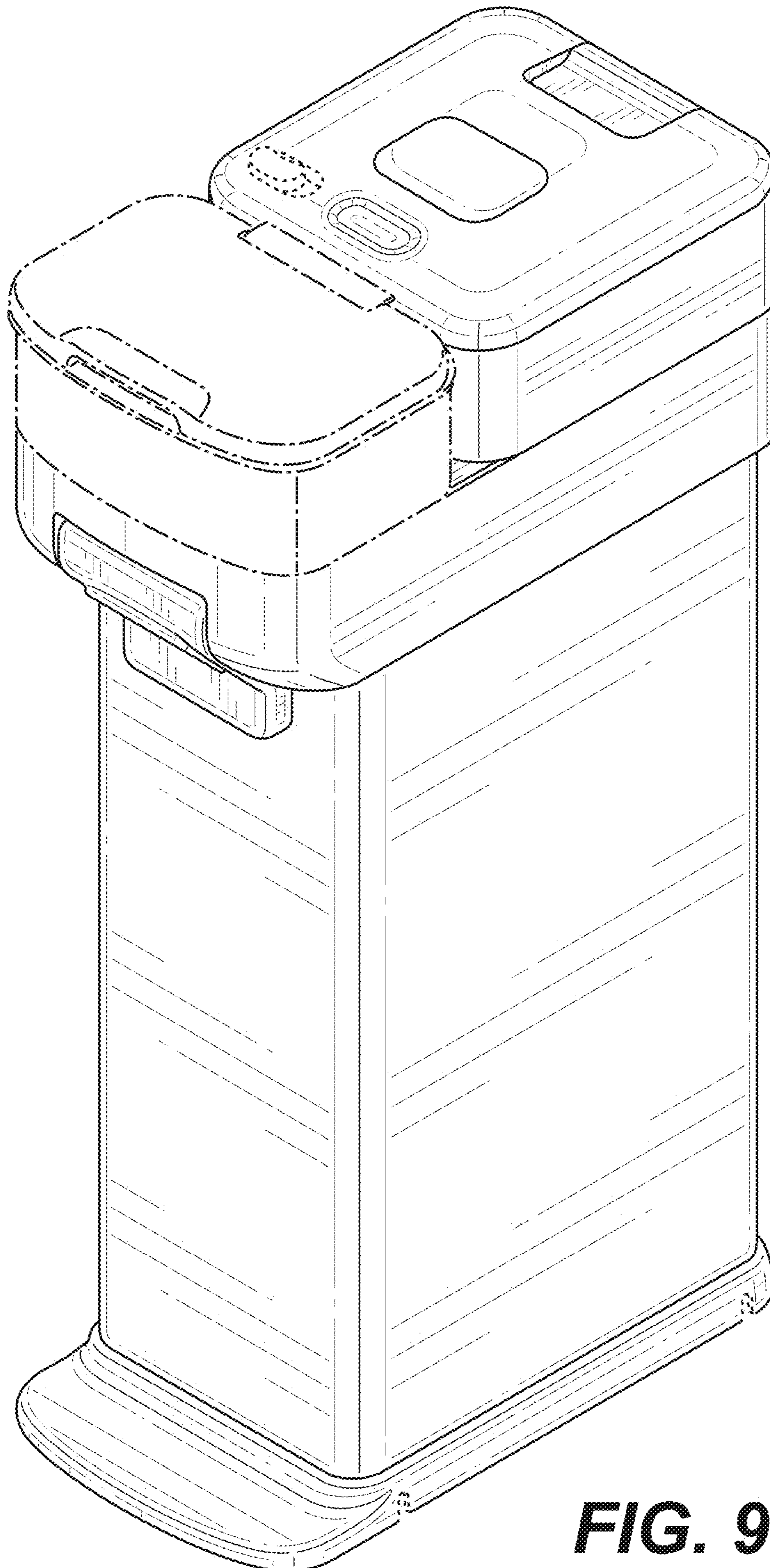


FIG. 9