



US00D923898S

(12) **United States Design Patent**
Davison et al.

(10) **Patent No.:** **US D923,898 S**
(45) **Date of Patent:** **** Jun. 29, 2021**

- (54) **FLEXIBLE BAG HOLDER**
- (71) Applicant: **Jokari/US, Inc.**, Carrollton, TX (US)
- (72) Inventors: **George M. Davison**, Pittsburgh, PA (US); **Donald H. Saller**, McKinney, TX (US)
- (73) Assignee: **Jokari/US, Inc.**, Carrollton, TX (US)
- (**) Term: **15 Years**
- (21) Appl. No.: **29/696,010**
- (22) Filed: **Jun. 25, 2019**
- (51) **LOC (13) Cl.** **09-09**
- (52) **U.S. Cl.**
USPC **D34/5**
- (58) **Field of Classification Search**
USPC D34/5, 6; D9/434
CPC B65F 1/16; B65F 1/1607; B65F 1/1615;
B65F 1/004; B65F 1/1415; B65F 1/062;
B65F 1/141; B65F 2240/138; B65F
2001/061; B65F 2220/106
See application file for complete search history.

D668,828 S * 10/2012 Jachim D34/6
8,857,772 B1 * 10/2014 Weldon B65B 67/1238
248/97
D882,201 S * 4/2020 Low D34/6

OTHER PUBLICATIONS

Jokari US in Amazon.com, https://www.amazon.com/dp/B07QC5QX7S/ref=sspa_dk_detail_3, TAO Cicada Baggy Rack pack of 4 hand free storage bags clip, Apr. 3, 2019 (Year: 2019).*

* cited by examiner

Primary Examiner — Cynthia Ramirez
(74) *Attorney, Agent, or Firm* — David M. DeMay

(57) **CLAIM**

We claim the ornamental design for a flexible bag holder, as shown and described.

DESCRIPTION

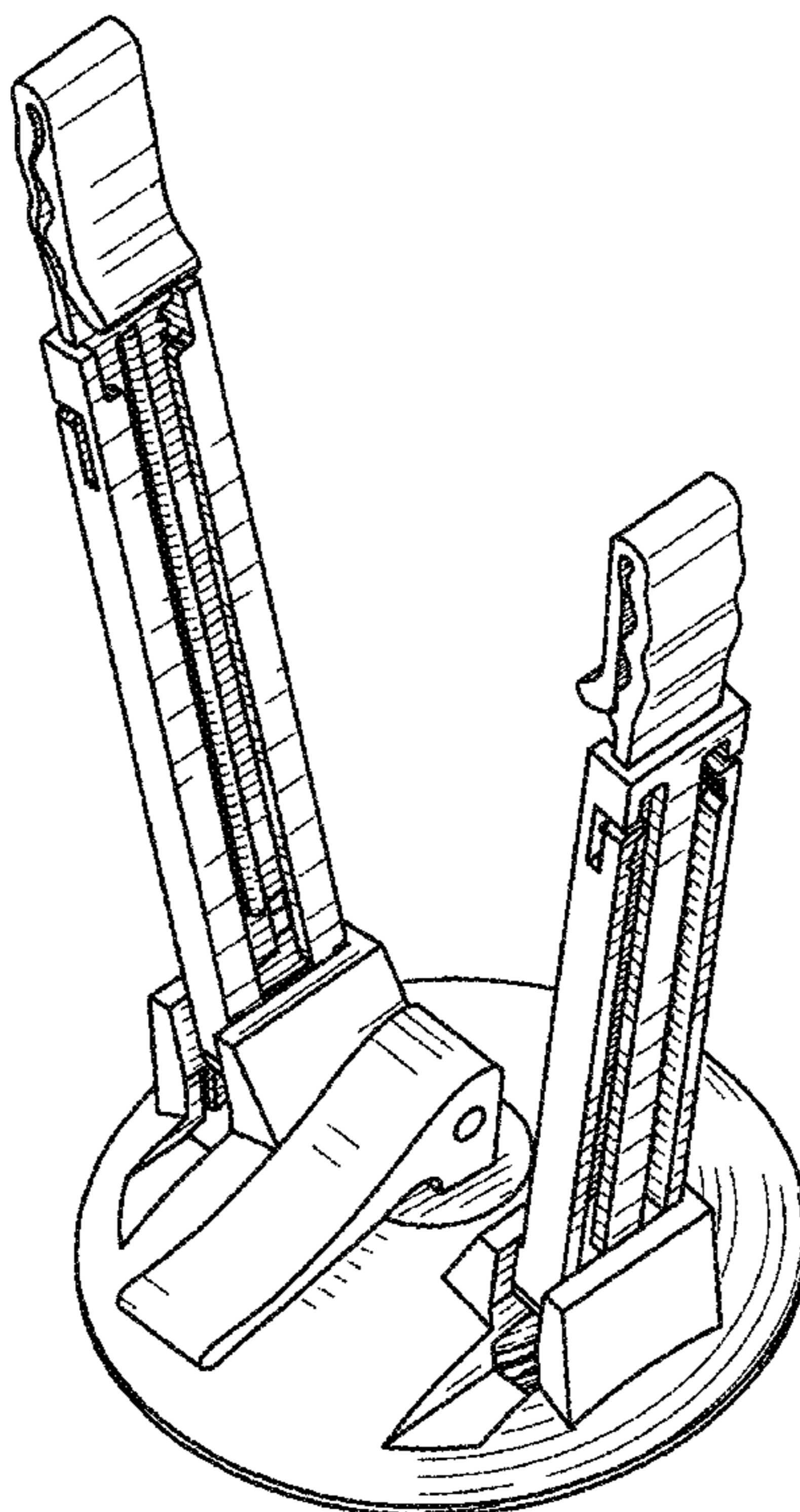
FIG. 1 is a top perspective view of the flexible bag holder showing the new design;
 FIG. 2 is a bottom perspective view of the flexible bag holder;
 FIG. 3 is a front plan view of the flexible bag holder;
 FIG. 4 is a rear plan view of the flexible bag holder;
 FIG. 5 is a right side plan view of the flexible bag holder. The left side is reflective of the right side and not shown;
 FIG. 6 is a top plan view of the flexible bag holder;
 FIG. 7 is a bottom plan view of the flexible bag holder; and,
 FIG. 8 is a top perspective view of the flexible bag holder in an alternate configuration.

1 Claim, 8 Drawing Sheets

(56) **References Cited**

U.S. PATENT DOCUMENTS

- D299,575 S * 1/1989 DiFrank D34/6
- D319,124 S * 8/1991 Harjung D34/5
- 5,427,340 A * 6/1995 Stromsmoe B65B 67/1205
248/175
- D389,632 S * 1/1998 Reddin D34/6
- D398,121 S * 9/1998 Siu D34/6
- D428,544 S * 7/2000 Moffitt D34/5



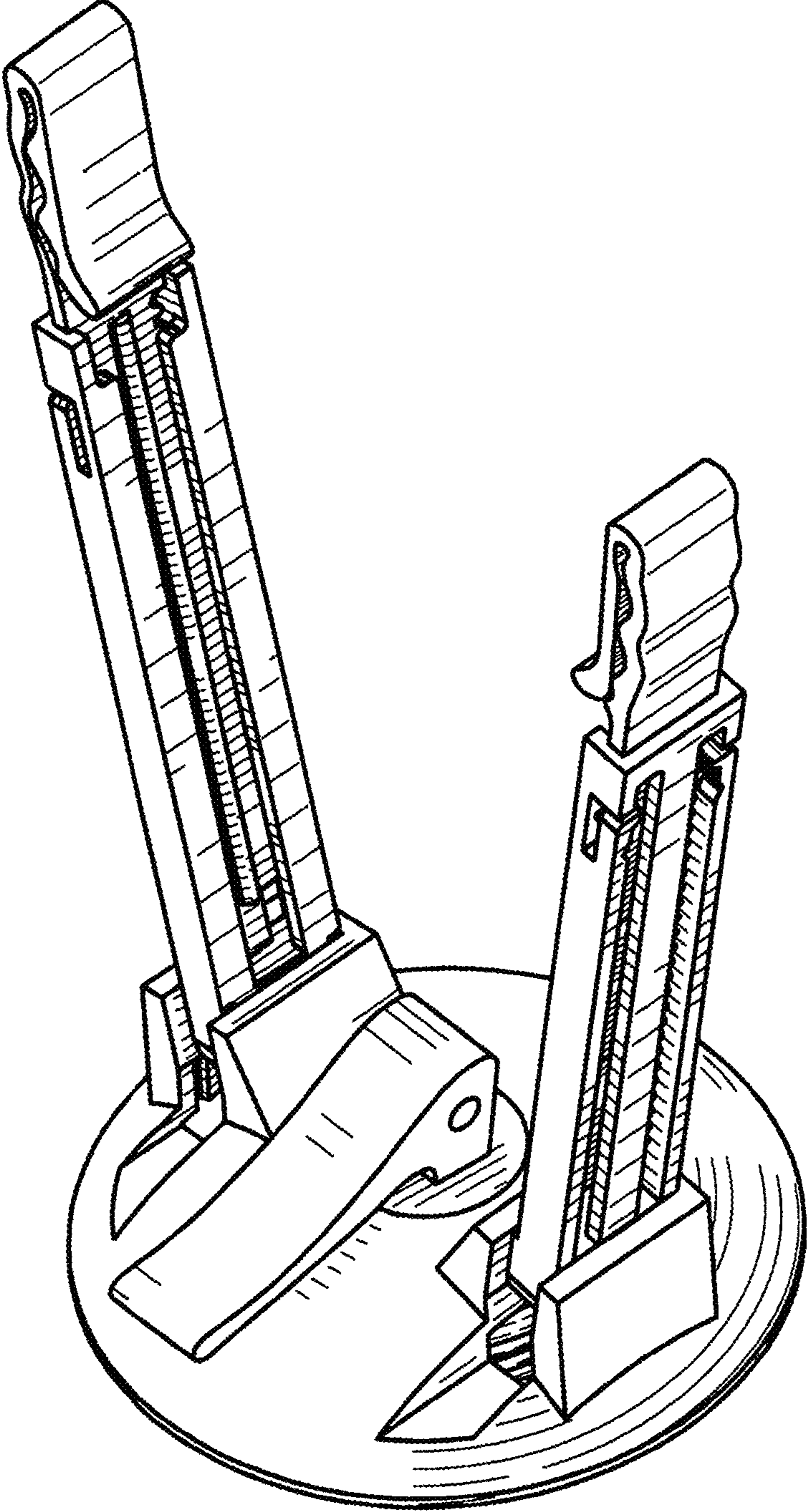


Figure 1

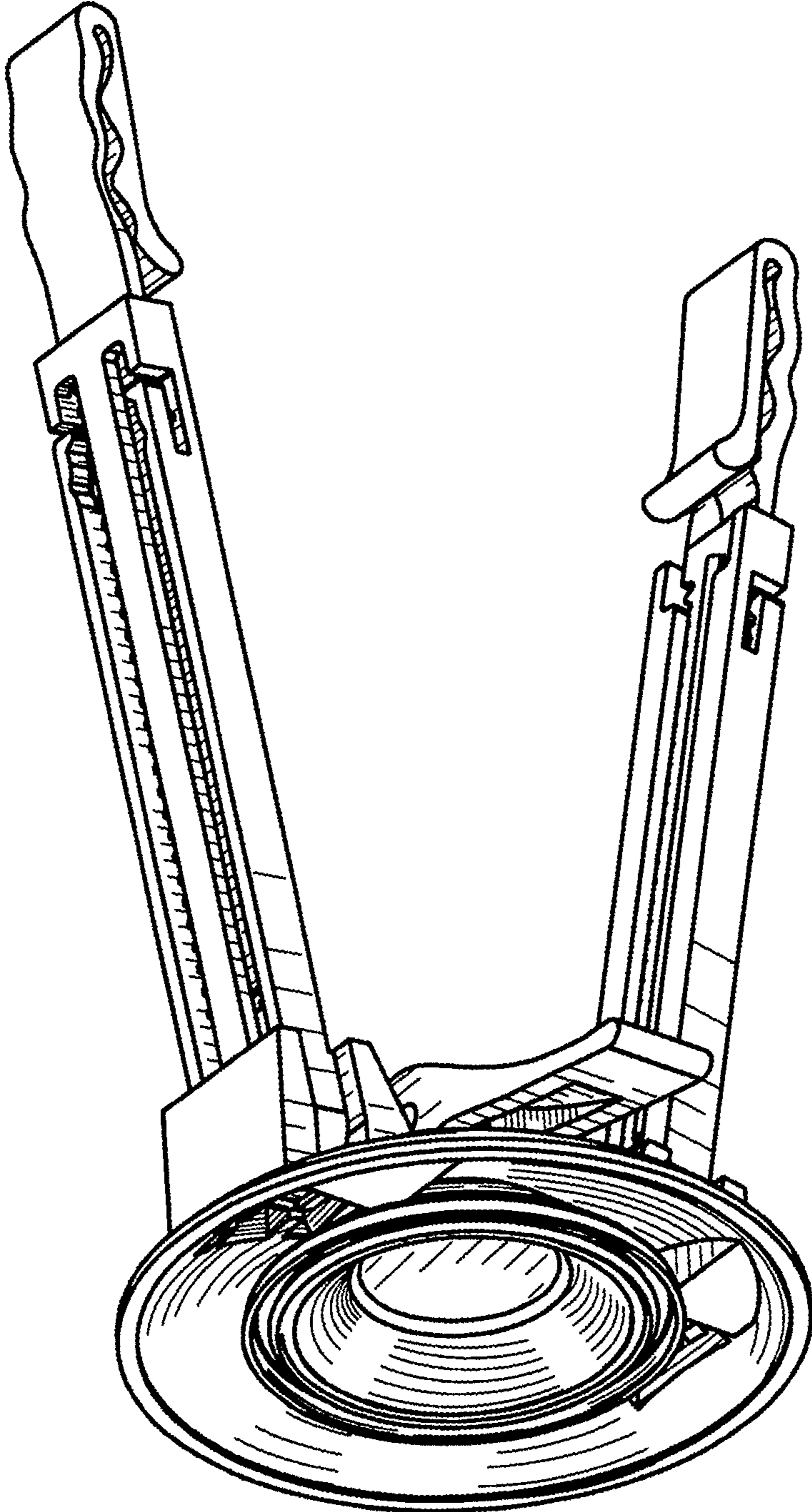


Figure 2

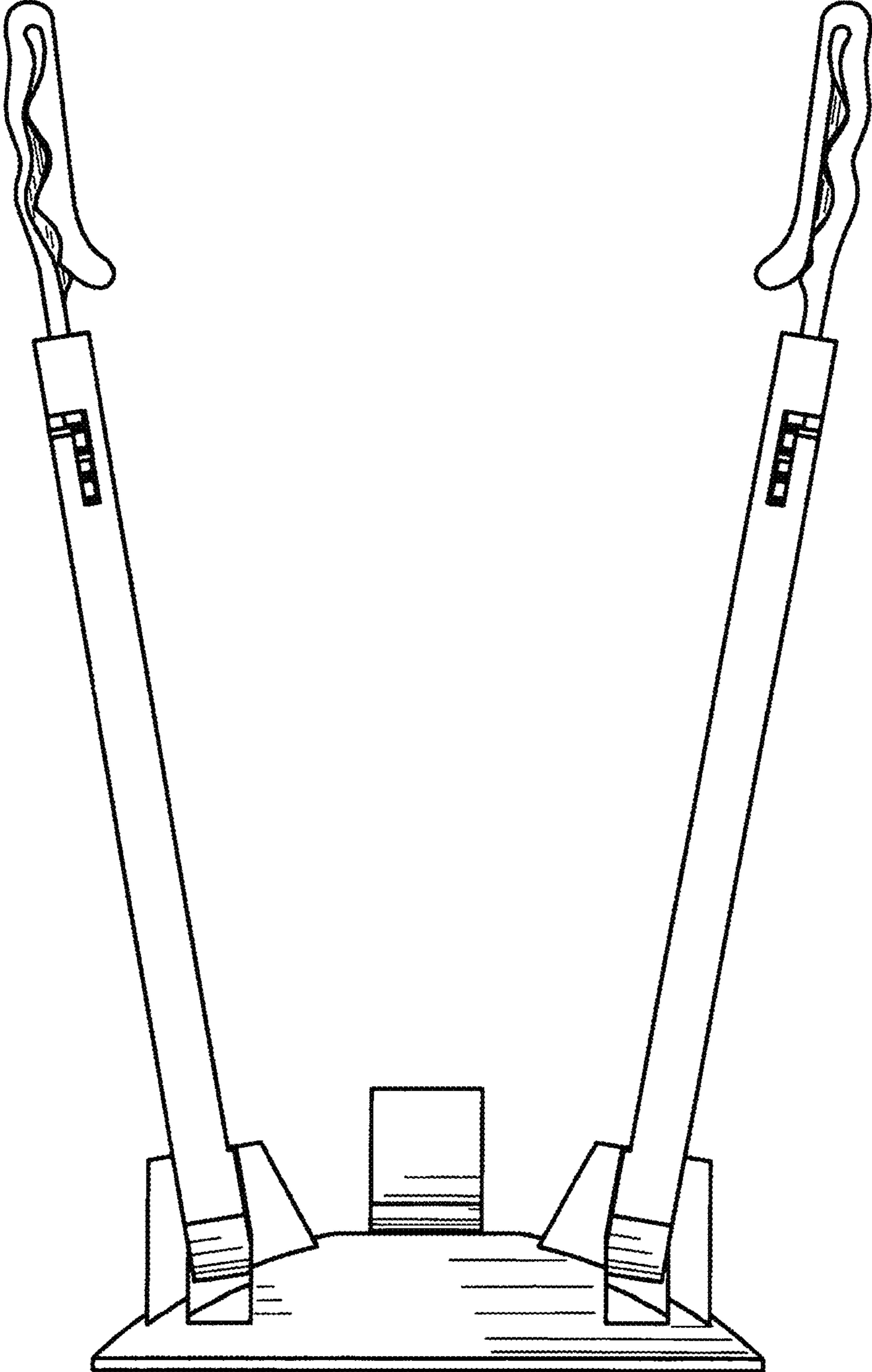


Figure 3

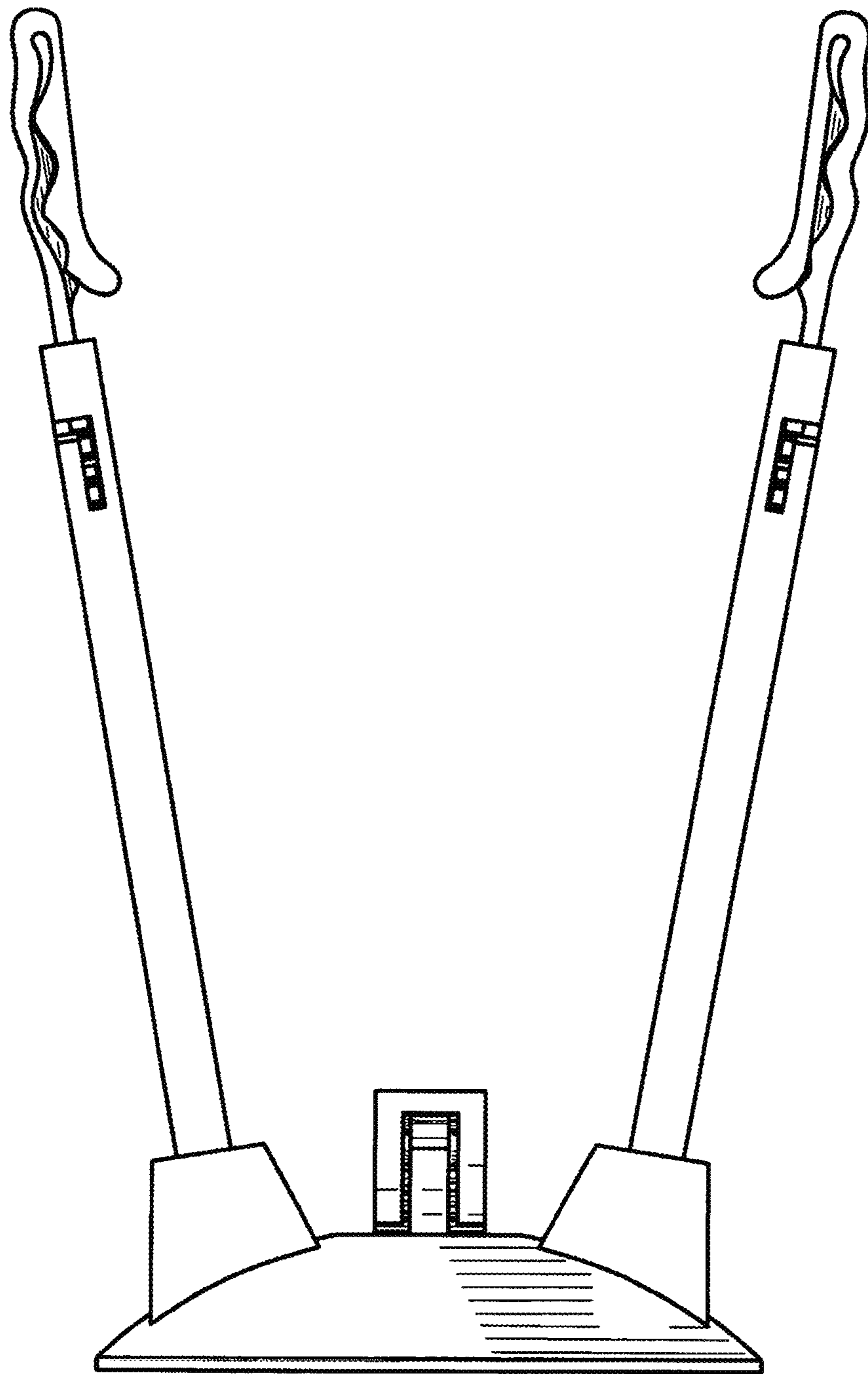


Figure 4

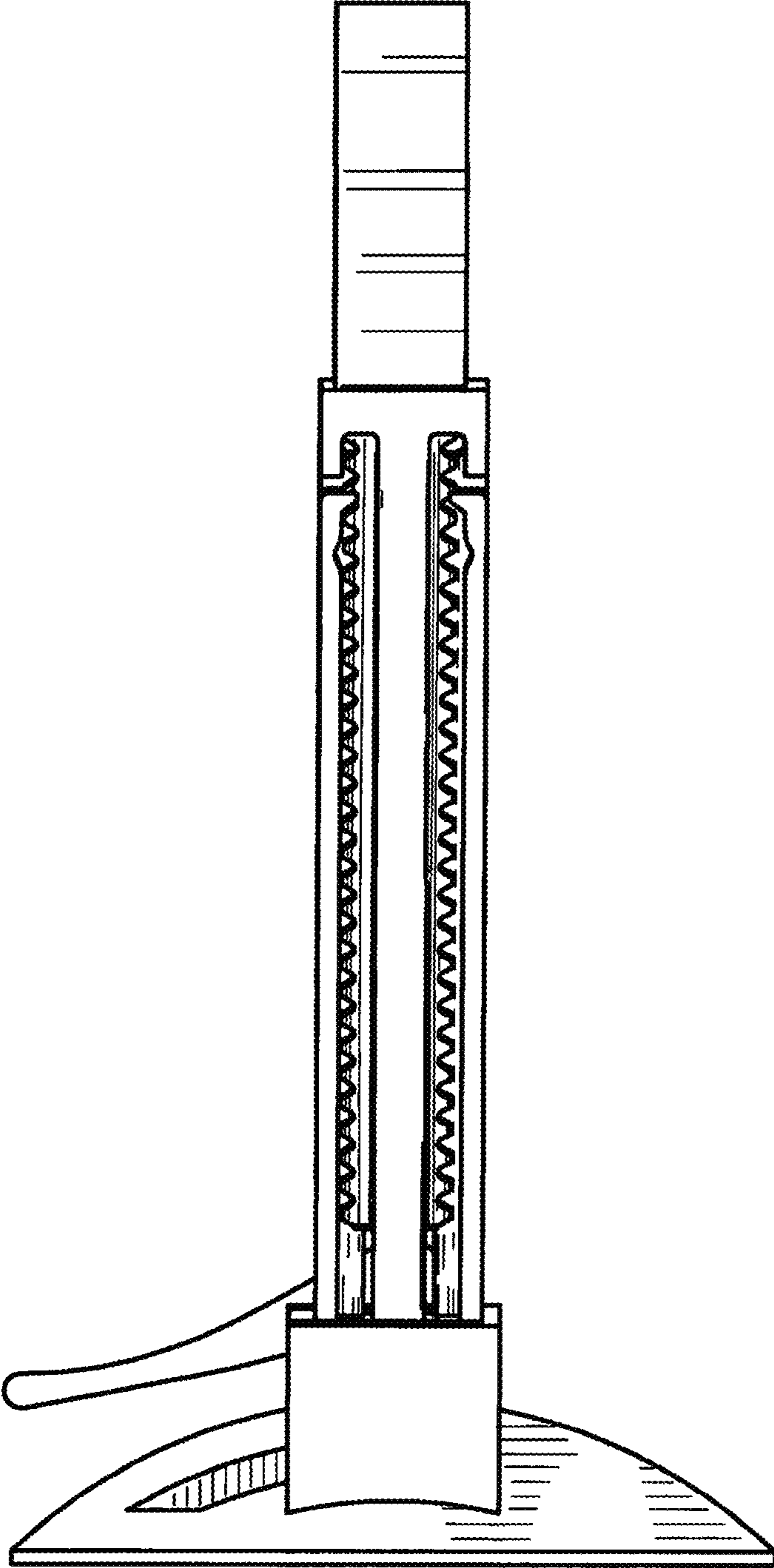


Figure 5

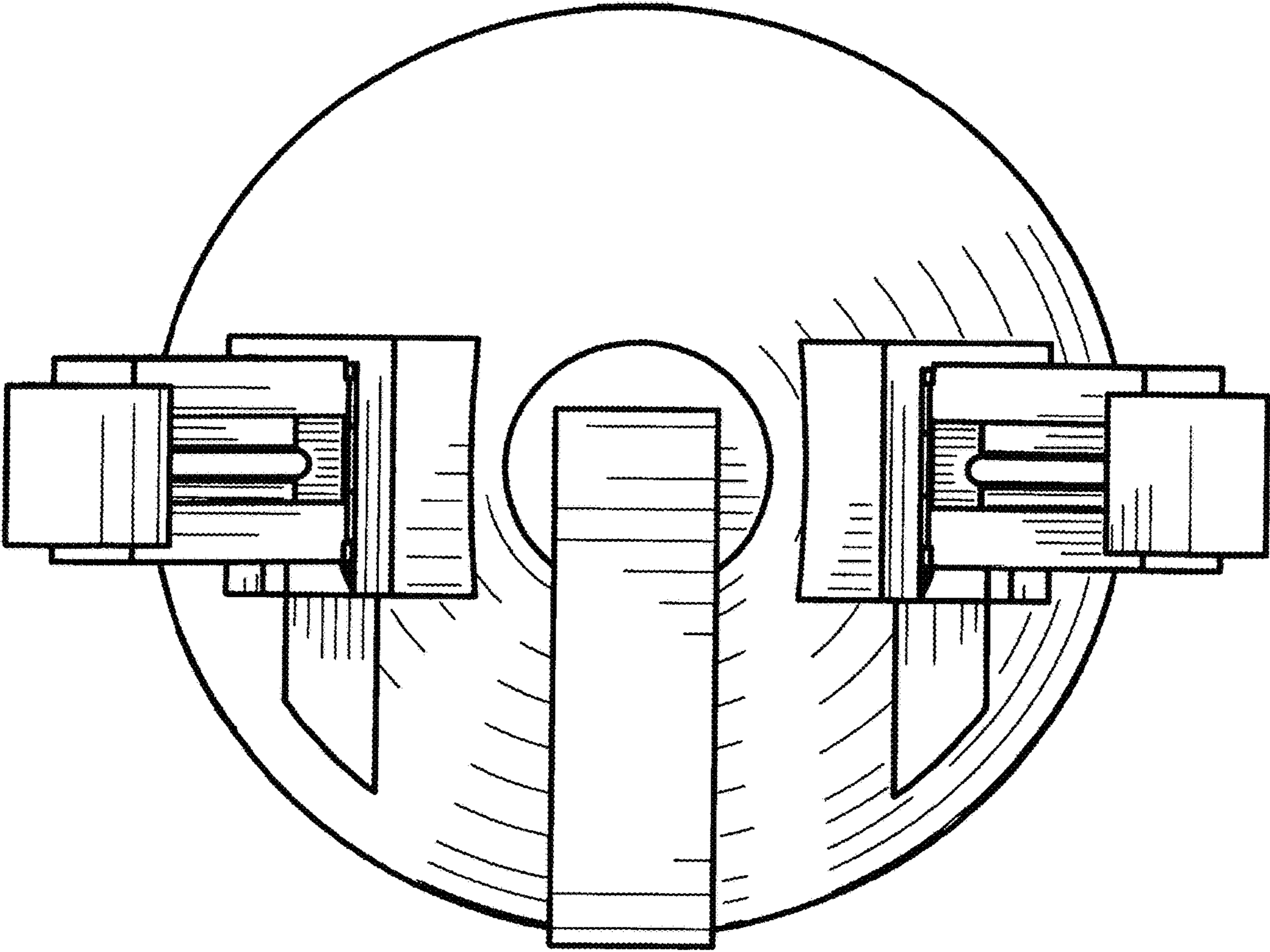


Figure 6

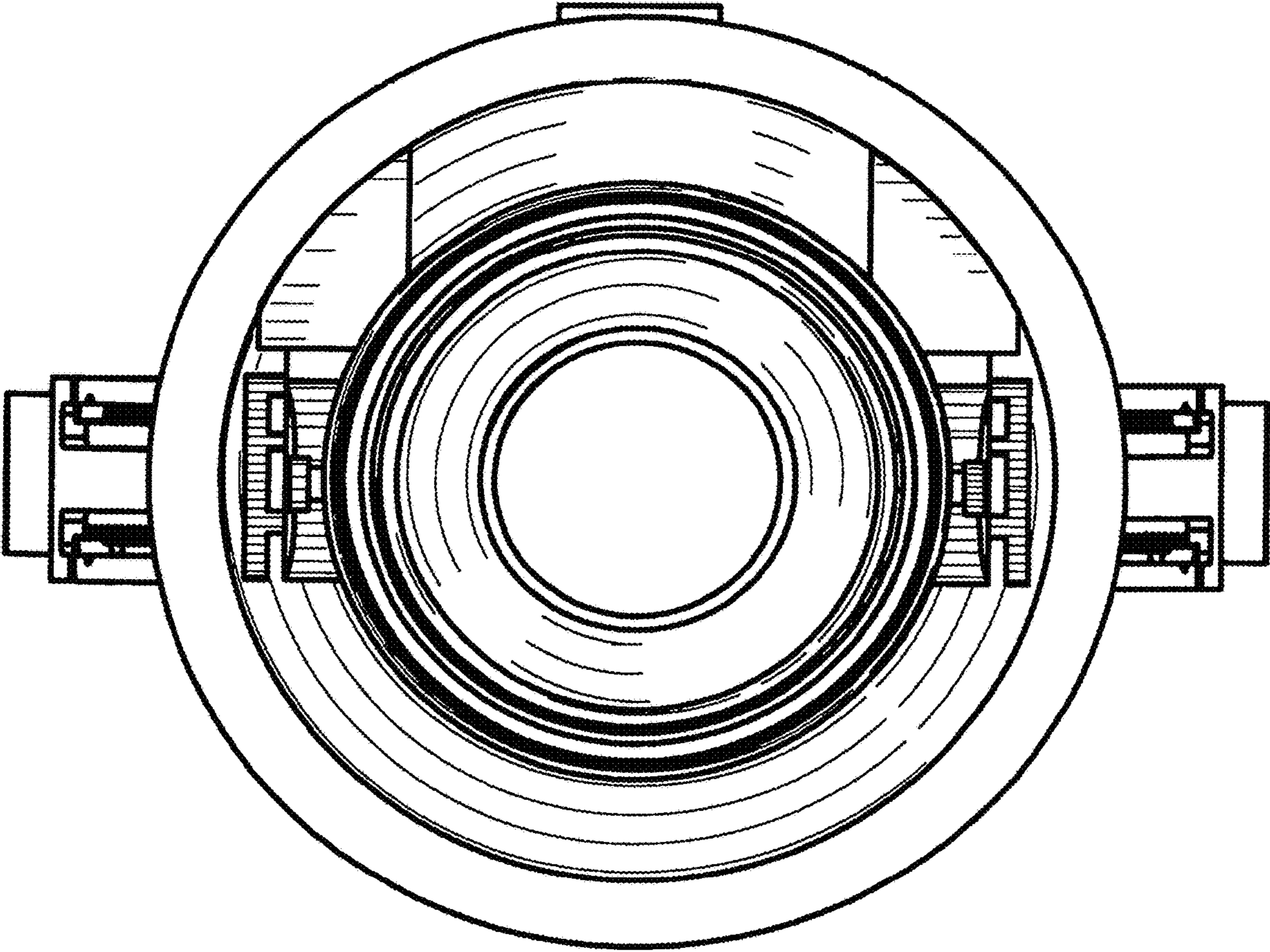


Figure 7

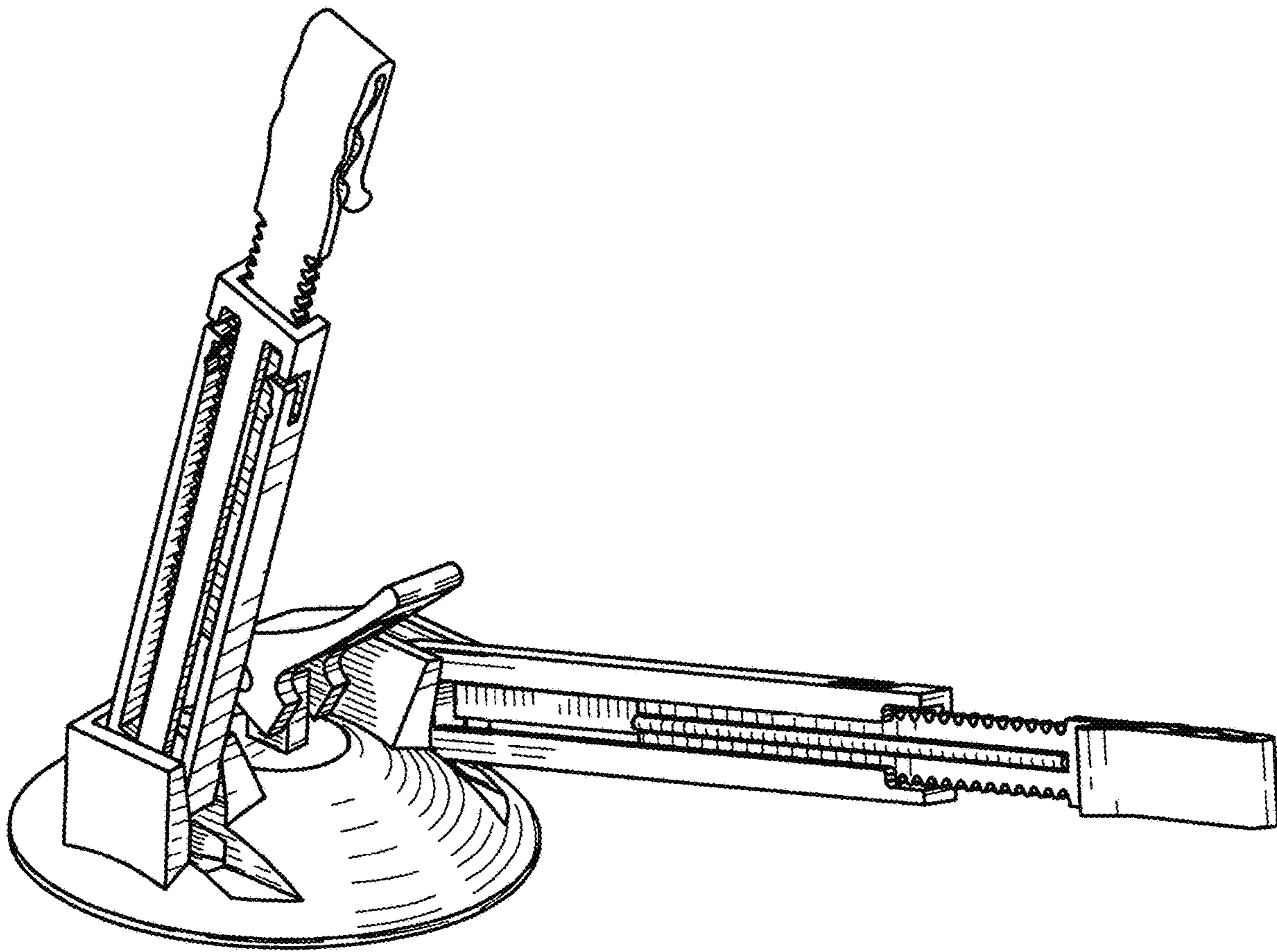


Figure 8