



US00D923897S

(12) **United States Design Patent**
Messineo

(10) **Patent No.:** **US D923,897 S**

(45) **Date of Patent:** **** Jun. 29, 2021**

(54) **PEDAL FOR BUCKET WITH WRINGER**

(71) Applicant: **Carl Freudenberg KG**, Weinheim (DE)

(72) Inventor: **Carlo Messineo**, Milan (IT)

(73) Assignee: **CARL FREUDENBERG KG**, Weinheim (DE)

(**) Term: **15 Years**

(21) Appl. No.: **29/717,735**

(22) Filed: **Dec. 19, 2019**

(30) **Foreign Application Priority Data**

Jun. 19, 2019 (EM) 006584496-0001

(51) **LOC (13) Cl.** **07-05**

(52) **U.S. Cl.**
USPC **D32/54; D32/53**

(58) **Field of Classification Search**
USPC D17/22; D32/53
CPC A47L 13/58; A47L 13/254; A47L 13/59;
A47L 13/60; A47J 47/18
See application file for complete search history.

(56) **References Cited**

U.S. PATENT DOCUMENTS

- 3,921,247 A * 11/1975 Cook A47L 13/60
15/262
- D518,262 S * 3/2006 Jurgens D32/53
- 7,743,528 B2 * 6/2010 Lin A47L 13/58
34/58
- D632,446 S * 2/2011 Tseng D32/53
- 7,909,174 B1 * 3/2011 Yu A47L 13/58
210/403
- D645,628 S * 9/2011 Tseng D32/53
- 8,015,652 B2 * 9/2011 Chiang A47L 13/58
15/119.1

- 8,028,369 B2 * 10/2011 Chiang A47L 13/255
15/260
- 8,056,179 B2 * 11/2011 Hsu A47L 13/58
15/260
- 8,065,777 B2 * 11/2011 Lin A47J 47/18
15/260
- 8,156,607 B2 * 4/2012 Chiang A47L 13/58
15/260
- 8,239,997 B2 * 8/2012 Lin A47L 13/58
15/260
- 8,327,502 B2 * 12/2012 Tsai A47L 13/58
15/260

(Continued)

OTHER PUBLICATIONS

Spin Mop https://www.amazon.com/Hurricane-Cleaning-BulbHead-Hardwood-Cleaner/dp/B01N1YGFC8/ref=pd_vtp_3 (Year: 2015).*
(Continued)

Primary Examiner — Michelle E. Wilson
Assistant Examiner — Richard E Yenchesky
(74) *Attorney, Agent, or Firm* — Leydig, Voit & Mayer, Ltd.

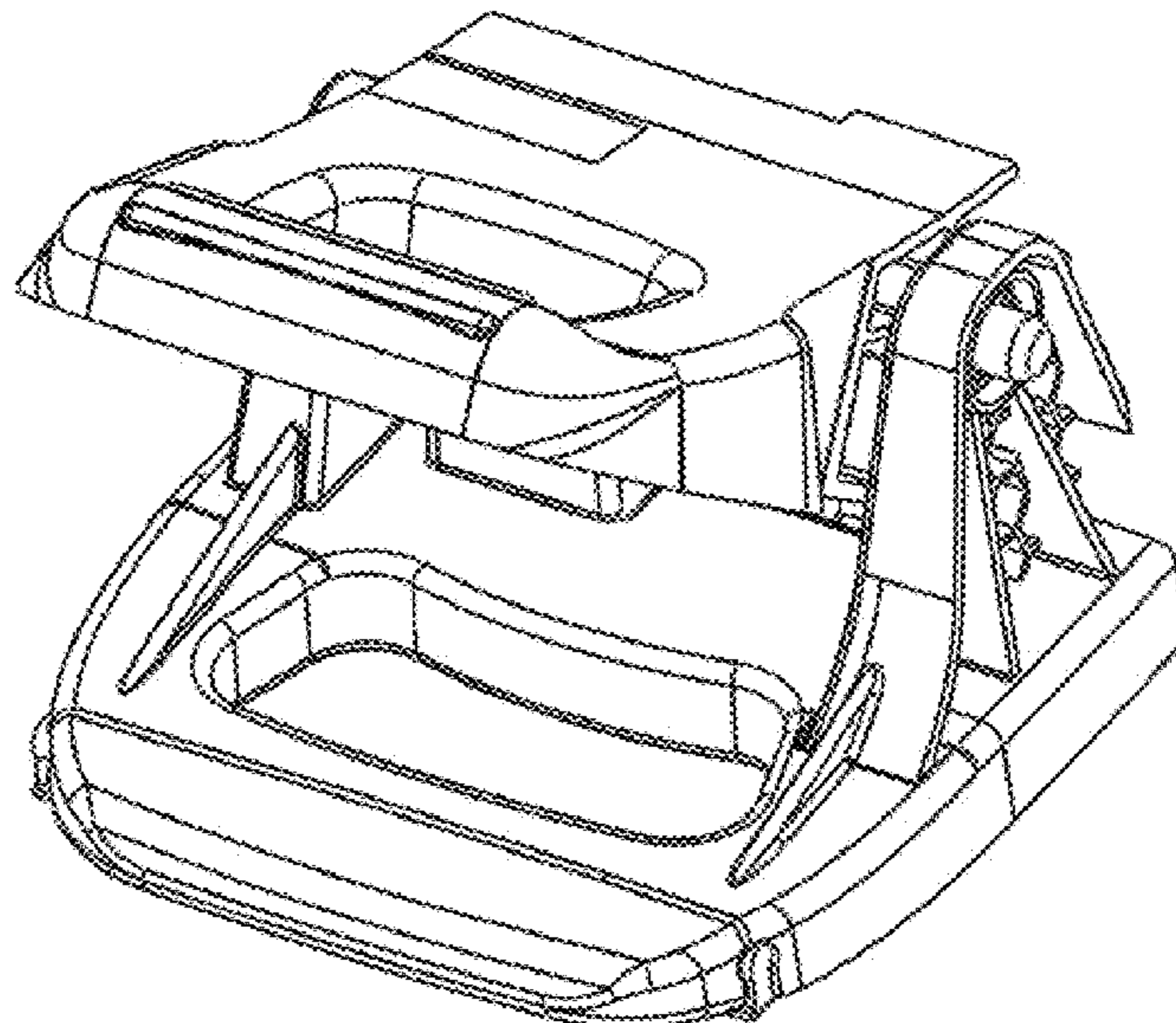
(57) **CLAIM**

The ornamental design for a pedal for bucket with wringer, as shown and described.

DESCRIPTION

FIG. 1 is a front-top-left perspective view of a pedal for bucket with wringer showing my new design;
FIG. 2 is a front-top-right perspective view thereof;
FIG. 3 is a right-side view thereof;
FIG. 4 is a left side view thereof;
FIG. 5 is a front view thereof; and,
FIG. 6 is a top view thereof.
The bottom and rear views are not visible during normal use of the pedal, and therefore, form no part of the claimed design.

1 Claim, 6 Drawing Sheets



(56)

References Cited

U.S. PATENT DOCUMENTS

8,336,160 B2 * 12/2012 Chen A47L 13/58
 15/260
 8,347,519 B2 * 1/2013 Chen A47L 13/58
 34/60
 D707,003 S * 6/2014 Dingert D32/53
 D723,234 S * 2/2015 Lentine D32/53
 D723,758 S * 3/2015 Lentine D32/53
 D728,882 S * 5/2015 Tsai A47L 13/59
 D32/53
 D729,482 S * 5/2015 Lentine D32/53
 D741,561 S * 10/2015 Zeng D32/53
 D765,333 S * 8/2016 Lentine D32/53
 D789,638 S * 6/2017 Rueckheim D32/53
 D804,125 S * 11/2017 Rueckheim D32/53
 D836,710 S * 12/2018 Guyre D17/22
 10,335,007 B2 * 7/2019 Rueckheim A47L 13/58
 D907,872 S * 1/2021 Messineo D32/53
 2010/0077561 A1 * 4/2010 Yu A47L 13/58
 15/260

2010/0078376 A1 * 4/2010 Yu A47L 13/58
 210/236
 2010/0122953 A1 * 5/2010 Yu A47L 13/58
 210/405
 2010/0180460 A1 * 7/2010 Tang A47L 13/254
 34/58
 2010/0242205 A1 * 9/2010 Chen A47L 13/58
 15/263
 2010/0306952 A1 * 12/2010 Chu A47L 13/58
 15/260
 2012/0047675 A1 * 3/2012 Chu A47L 13/58
 15/260

OTHER PUBLICATIONS

Masthome Spin <https://www.yoybuy.com/pd/lkDVM3MBOKm3L7tjWyiX.html> (Year: 2021).*
 O-Cedar <https://www.oko-7.top/ProductDetail.aspx?iid=59905309&pr=30.99> (Year: 2021).*

* cited by examiner

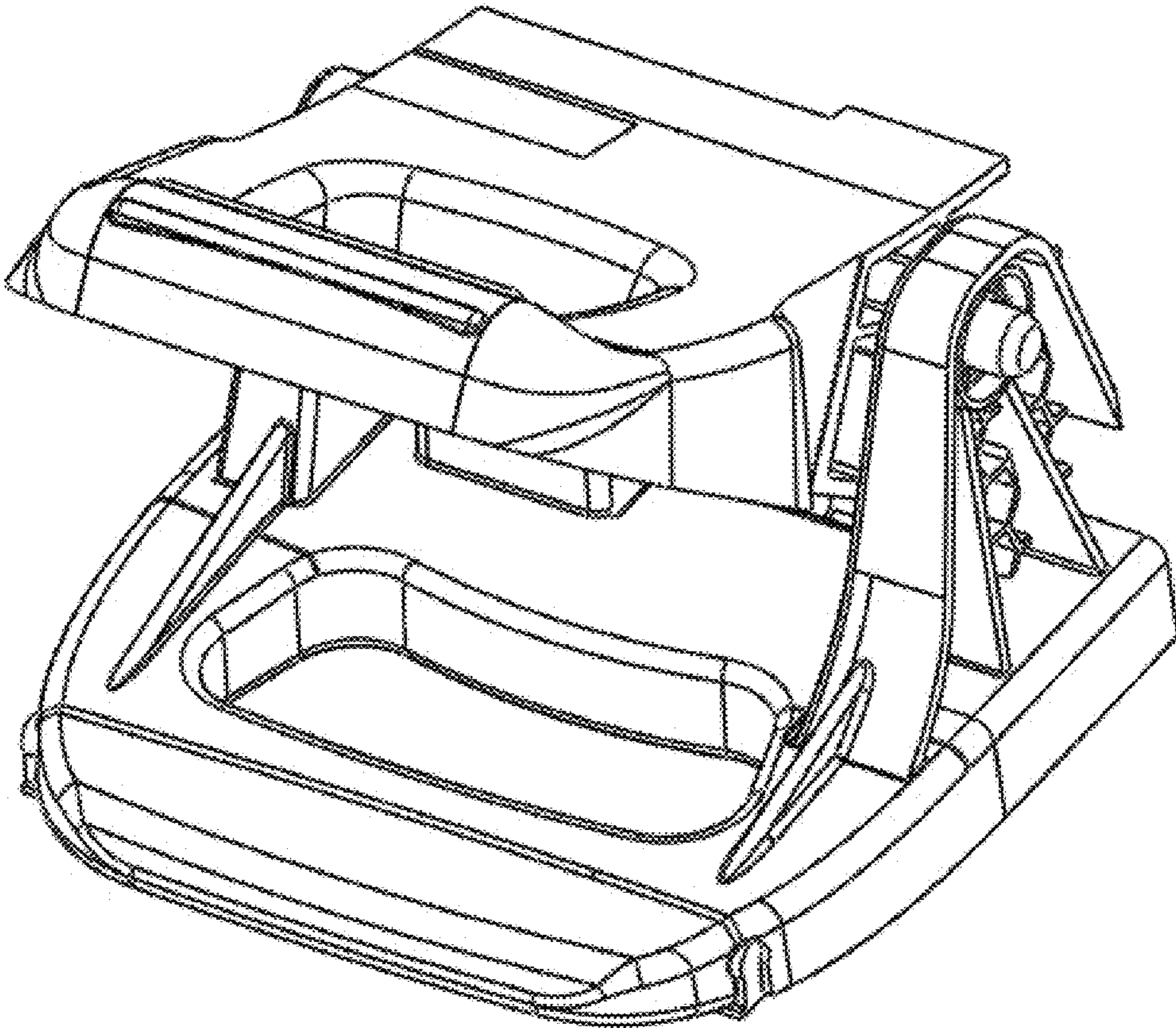


FIG. 1

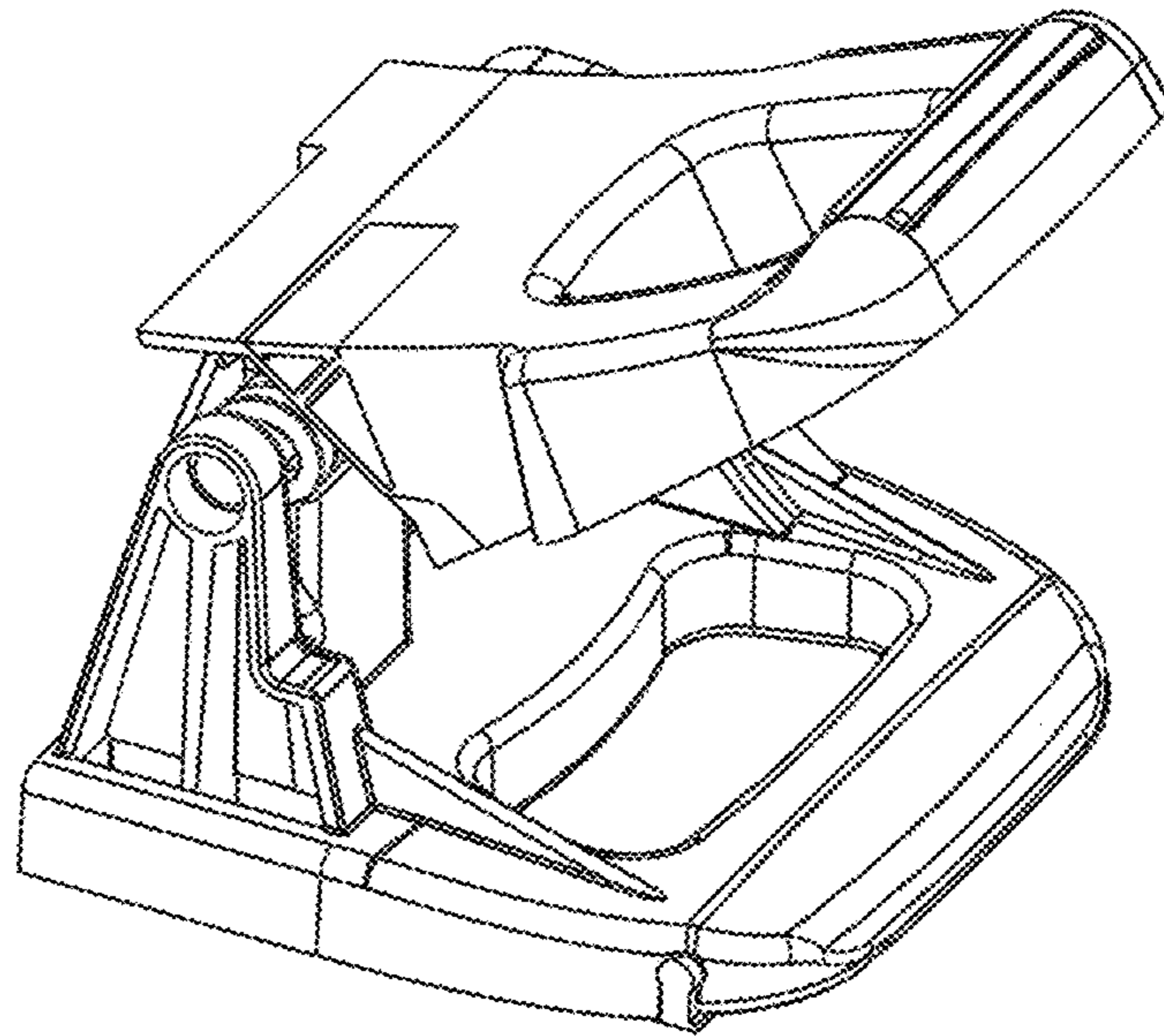


FIG. 2

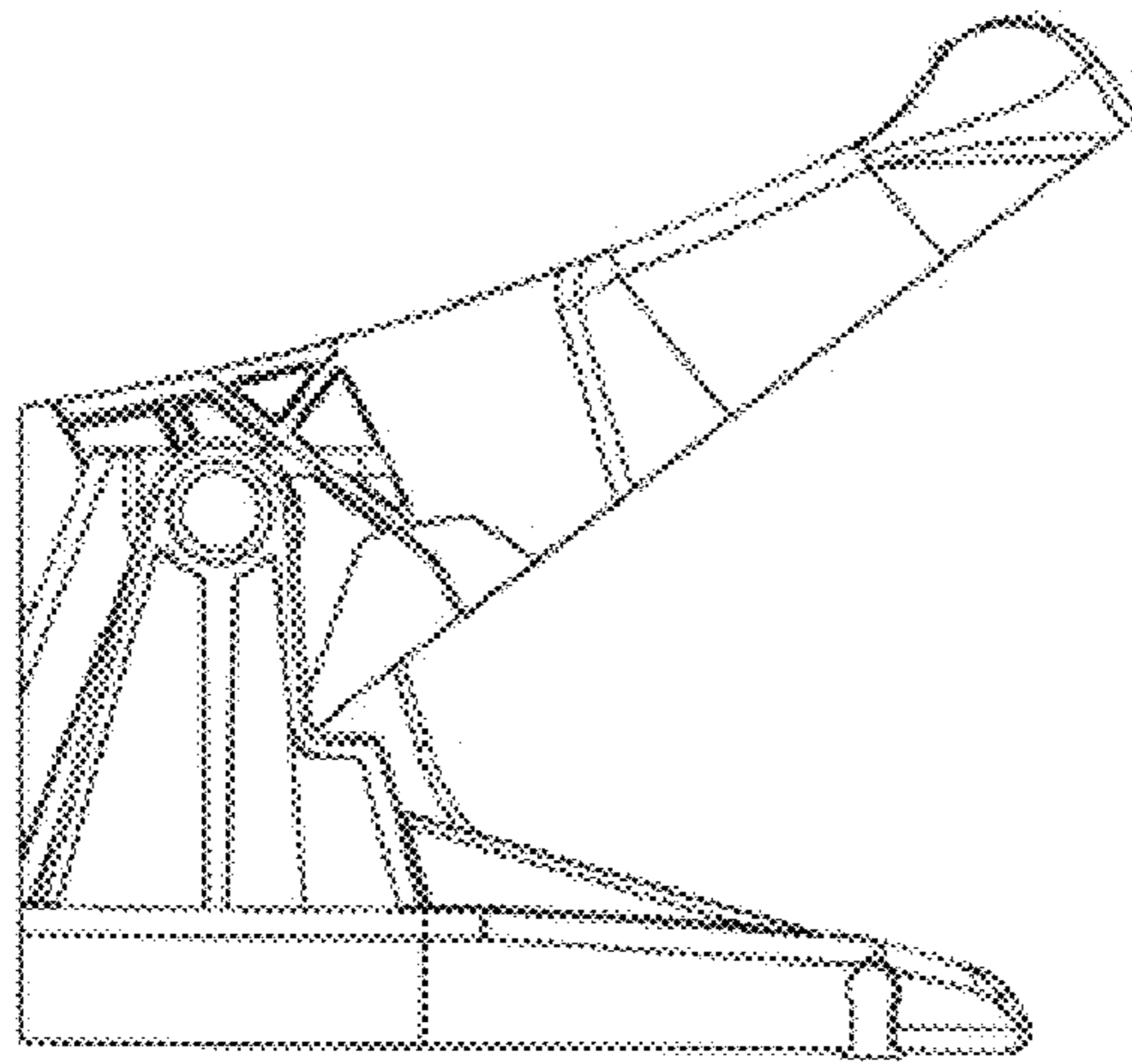


FIG. 3

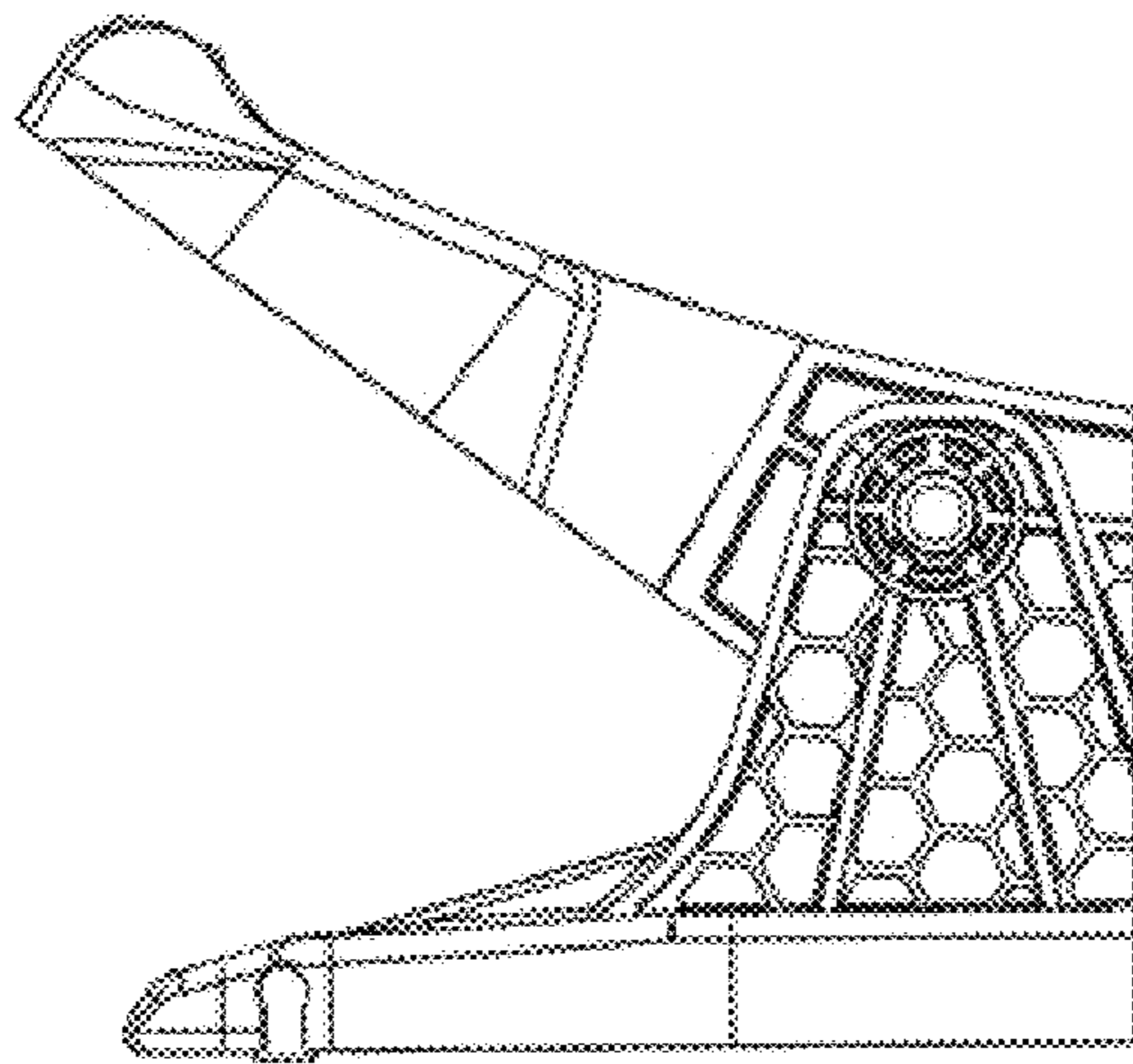


FIG. 4

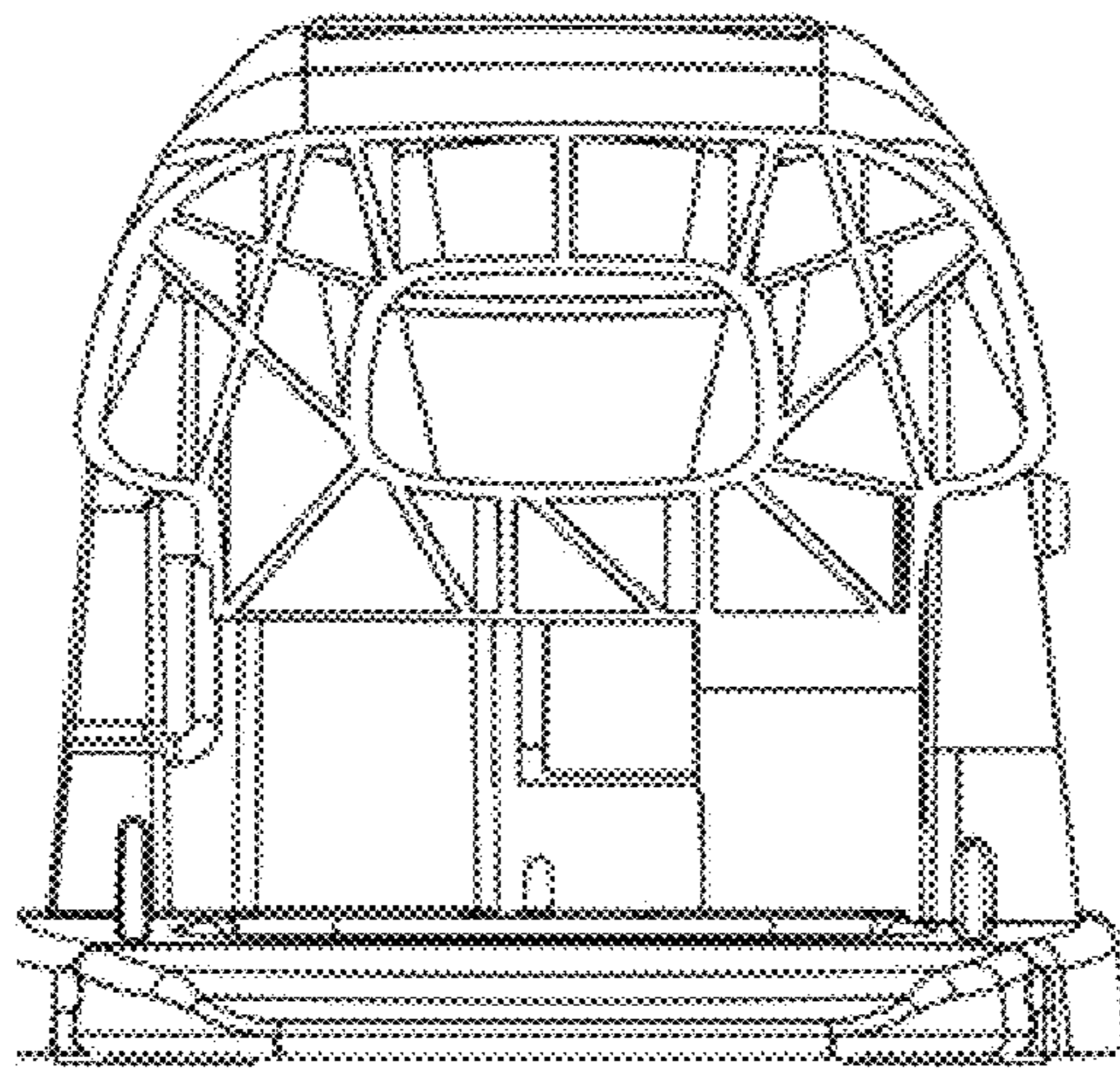


FIG. 5

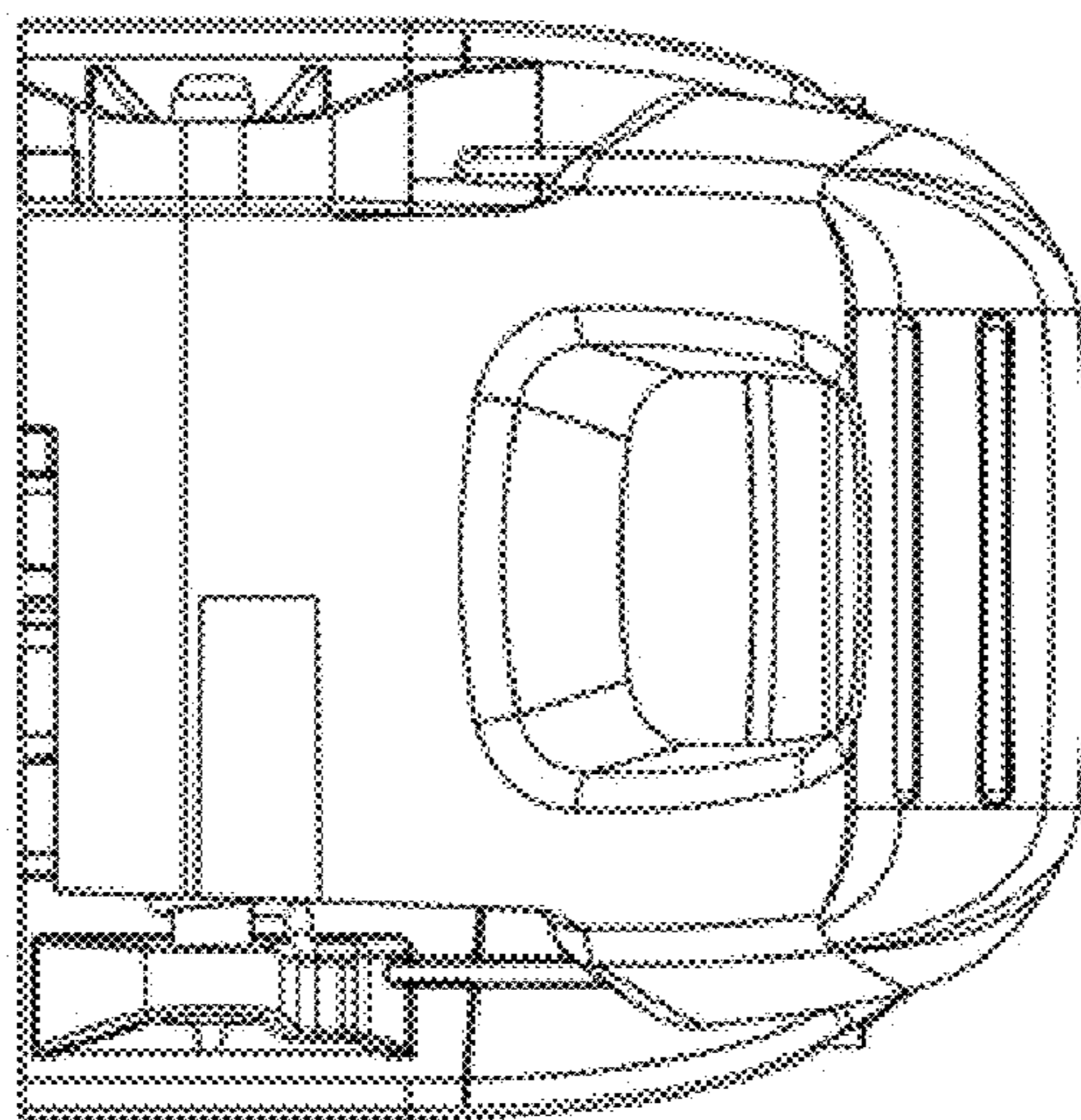


FIG. 6