

US00D923896S

(12) **United States Design Patent**
Harrington et al.

(10) **Patent No.:** **US D923,896 S**
(45) **Date of Patent:** **** Jun. 29, 2021**

(54) **FLOOR CLEANING SYSTEM**

FOREIGN PATENT DOCUMENTS

(71) Applicant: **Unger Marketing International, LLC**,
Bridgeport, CT (US)

BE 1009731 A6 7/1997
CA 1306592 C 8/1992

(Continued)

(72) Inventors: **William Harrington**, Newtown, CT
(US); **Robert F. Smith**, Waterbury, CT
(US)

OTHER PUBLICATIONS

Omni Clean <https://usa.ungerglobal.com/product-category/unger-omniclean/> (Year: 2020).*

(Continued)

(73) Assignee: **UNGER MARKETING INTERNATIONAL, LLC**, Bridgeport,
CT (US)

(**) Term: **15 Years**

Primary Examiner — Michelle E. Wilson

Assistant Examiner — Richard E Yenchesky

(74) *Attorney, Agent, or Firm* — Cantor Colburn LLP

(21) Appl. No.: **29/692,646**

(57) **CLAIM**

We claim, the ornamental design for a floor cleaning system,
as shown and described.

(22) Filed: **May 28, 2019**

(51) **LOC (13) Cl.** **07-05**

(52) **U.S. Cl.**

USPC **D32/53**

(58) **Field of Classification Search**

USPC D32/53, 54; D34/17

CPC A47L 5/225; A47L 13/59; A47L 13/58;
A47L 13/20; B65D 25/32

See application file for complete search history.

DESCRIPTION

FIG. 1 is a front perspective view of a first embodiment of
the design;

FIG. 2 is a rear perspective view of the design of FIG. 1;

FIG. 3 is front view of the design of FIG. 1;

FIG. 4 is a rear view of the design of FIG. 1;

FIG. 5 is a first side view of the design of FIG. 1;

FIG. 6 is a second side view of the design of FIG. 1;

FIG. 7 is a top view of the design of FIG. 1;

FIG. 8 is a bottom view of the design of FIG. 1; and,

FIG. 9 is a bottom perspective view of the design of FIG. 1.

References to “side”, “top”, “front”, “rear” and “bottom” in
the figure descriptions are not meant to require certain in-use
orientation; a floor cleaning system according to the claimed
design may be used in any orientation.

The broken lines depict portions of the floor cleaning system
in which the design is embodied that are not considered part
of the claimed design.

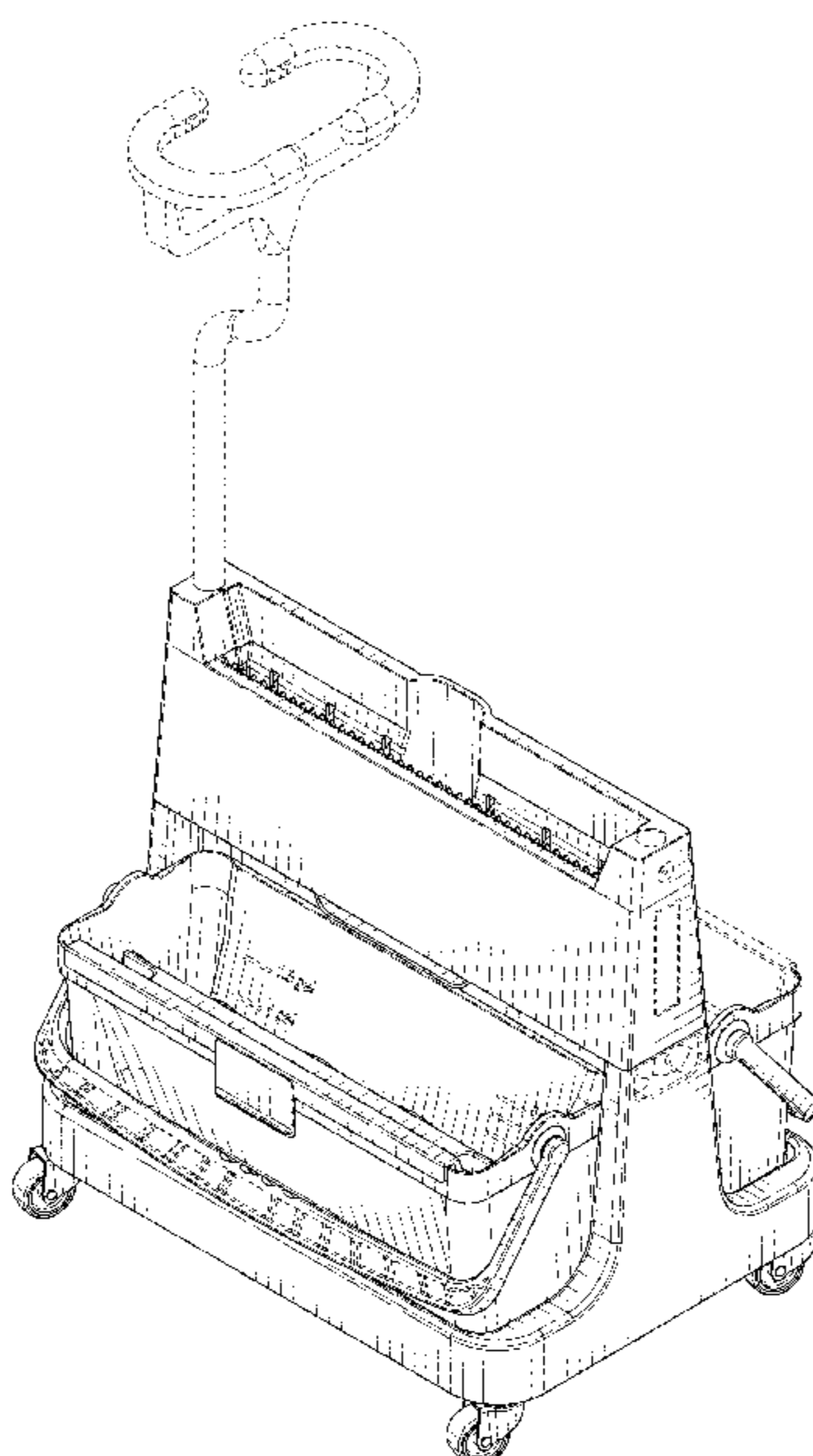
(56) **References Cited**

U.S. PATENT DOCUMENTS

395,960 A	1/1889	Drew	
2,286,944 A	6/1942	Altland	
2,740,146 A	4/1956	Vaughn	
2,796,617 A	6/1957	Remington	
2,852,794 A	9/1958	Blum	
2,966,689 A	1/1961	Antonucci, Jr.	
3,280,418 A	10/1966	Schonberger	
3,341,876 A *	9/1967	Campbell A47L 13/58
			15/1
D212,831 S *	11/1968	Koch D32/53

(Continued)

1 Claim, 8 Drawing Sheets



(56)

References Cited

U.S. PATENT DOCUMENTS

4,161,799 A 7/1979 Sorrells
 4,704,763 A 11/1987 Sacks et al.
 D296,254 S * 6/1988 Jaros D32/54
 4,912,804 A 4/1990 Pasbol
 5,131,111 A 7/1992 Richardson et al.
 D338,299 S * 8/1993 Delmerico D32/54
 5,333,353 A * 8/1994 Taylor A47L 13/58
 15/260
 5,414,892 A * 5/1995 Clark, Jr. A47L 13/58
 15/263
 5,438,727 A 8/1995 Specht
 5,440,778 A * 8/1995 De Guzman A47L 13/59
 15/260
 D362,941 S * 10/1995 Delmerico D32/53
 5,548,865 A 8/1996 Pagani
 D374,321 S * 10/1996 Mandell D32/53
 5,774,929 A 7/1998 Jurgens et al.
 5,918,343 A * 7/1999 Young A47L 13/58
 100/132
 D417,051 S * 11/1999 Dickinson D32/53
 5,983,441 A * 11/1999 Williams A47L 13/58
 15/260
 D426,361 S * 6/2000 Young D32/53
 6,115,877 A * 9/2000 Morad A47L 13/59
 15/260
 6,115,878 A 9/2000 McLaughlin et al.
 6,128,803 A * 10/2000 Dickinson A47L 13/59
 15/261
 6,158,089 A 12/2000 Monahan et al.
 6,260,226 B1 7/2001 Specht
 6,279,195 B1 * 8/2001 Biggs A47L 13/59
 15/260
 6,283,170 B1 * 9/2001 Robinson A47L 5/225
 141/1
 6,457,203 B1 * 10/2002 Williams A47L 13/58
 15/260
 6,487,745 B2 12/2002 Specht
 D477,447 S * 7/2003 Calaicone D32/53
 6,588,045 B2 7/2003 Fernandez
 6,671,923 B2 * 1/2004 Gromnicki A47L 13/59
 15/261
 D489,852 S * 5/2004 Perelli D32/53
 6,996,873 B2 2/2006 Salmon
 D525,404 S * 7/2006 Petner D32/53
 D528,729 S * 9/2006 Van Ledingham, Jr. D34/17
 D530,870 S * 10/2006 Lauer D32/53
 D531,368 S * 10/2006 Lauer D32/53
 D531,772 S * 11/2006 Lauer D32/53
 D533,705 S * 12/2006 Bertucci D34/14
 D533,977 S * 12/2006 Bensussan D32/53
 D536,851 S * 2/2007 Lauer D32/53
 7,174,600 B2 2/2007 Kresse et al.
 D542,494 S * 5/2007 Lauer D32/53
 D542,992 S * 5/2007 Lauer D32/53
 D548,913 S * 8/2007 Van Ledingham, Jr. D32/53
 D550,418 S * 9/2007 Weaver D32/53
 7,827,649 B2 11/2010 Horian
 7,946,445 B2 5/2011 Tytar
 D643,982 S * 8/2011 Franklin D32/53
 8,099,824 B2 1/2012 Dingert et al.
 8,381,931 B1 2/2013 Ernest, III
 8,474,089 B2 7/2013 Goentzel
 8,479,352 B2 7/2013 Rivadulla Oliva
 8,544,141 B1 10/2013 Kyde et al.
 8,652,263 B2 2/2014 Goentzel
 8,771,428 B1 7/2014 Goentzel
 9,161,673 B2 10/2015 Tronconi et al.
 9,216,751 B2 12/2015 Adams et al.
 9,932,056 B2 4/2018 Eisenhut et al.
 9,943,207 B1 4/2018 Patterson
 10,858,139 B2 * 12/2020 Eason B65D 25/32
 2002/0120997 A1 * 9/2002 Alt A47L 13/59
 15/261
 2003/0019954 A1 1/2003 Clarke

2004/0074520 A1 * 4/2004 Truong A47L 13/20
 134/6
 2005/0086980 A1 4/2005 Young
 2005/0100403 A1 5/2005 Kruepke
 2006/0048330 A1 3/2006 Rust et al.
 2007/0289084 A1 12/2007 Damrath et al.
 2008/0006640 A1 1/2008 Natale
 2008/0141477 A1 6/2008 Damrath et al.
 2008/0155775 A1 7/2008 Damrath et al.
 2009/0007351 A1 1/2009 Horian
 2014/0263105 A1 9/2014 Kontorovich et al.
 2015/0201821 A1 7/2015 McBride, Jr. et al.
 2016/0113471 A1 4/2016 Zhu et al.
 2016/0309980 A1 10/2016 Lecompte et al.
 2016/0316988 A1 11/2016 Balz et al.
 2017/0027403 A1 2/2017 Zhu
 2017/0049292 A1 2/2017 Harrington et al.
 2017/0231457 A1 8/2017 Cloud
 2018/0035862 A1 2/2018 Polti et al.
 2018/0055327 A1 3/2018 Li

FOREIGN PATENT DOCUMENTS

CN 2081281 U 7/1991
 CN 200987655 Y 12/2007
 CN 201227258 Y 4/2009
 CN 201227259 Y 4/2009
 CN 201384477 Y 1/2010
 CN 201675888 U 12/2010
 CN 202211661 U 5/2012
 CN 202313166 U 7/2012
 CN 102711578 A 10/2012
 CN 102846284 A 1/2013
 CN 202821248 U 3/2013
 CN 203029178 U 7/2013
 CN 103445735 A 12/2013
 CN 204146974 U 2/2015
 CN 104853664 A 8/2015
 CN 204744046 U 11/2015
 CN 204889883 U 12/2015
 CN 105286740 A 2/2016
 CN 105640460 A 6/2016
 CN 105769071 A 7/2016
 CN 205391076 U 7/2016
 CN 205493747 U 8/2016
 CN 105996932 A 10/2016
 CN 205625834 U 10/2016
 CN 205697619 U 11/2016
 CN 205729277 U 11/2016
 CN 205831737 U 12/2016
 CN 205866707 U 1/2017
 CN 206080445 U 4/2017
 CN 206080446 U 4/2017
 CN 106725163 A 5/2017
 CN 106725164 A 5/2017
 CN 206151396 U 5/2017
 CN 206183214 U 5/2017
 CN 206381142 U 8/2017
 CN 107115077 A 9/2017
 CN 206548456 U 10/2017
 CN 107456178 A 12/2017
 CN 107495914 A 12/2017
 CN 107518843 A 12/2017
 CN 206761652 U 12/2017
 CN 107684406 A 2/2018
 CN 107684407 A 2/2018
 CN 107692938 A 2/2018
 CN 107811591 A 3/2018
 CN 207152550 U 3/2018
 CN 207186587 U 4/2018
 CN 207202839 U 4/2018
 DE 382754 10/1923
 DE 4318792 A1 12/1994
 DE 19635620 A1 3/1998
 DE 10065373 A1 7/2002
 EP 1219226 A1 7/2002
 EP 1219224 B1 3/2010
 EP 2769660 A1 8/2014
 FR 3058627 A1 5/2018

(56)

References Cited

FOREIGN PATENT DOCUMENTS

GB	379946	A	9/1932
GB	396469	A	8/1933
GB	932579	A	7/1963
GB	1168635	A	10/1969
GB	1277932	A	6/1972
JP	H10304998	A	11/1998
JP	2014030815	A	2/2014
KR	485755	Y1	2/2018
KR	2018025263	A	3/2018
WO	199210968	A1	7/1992
WO	200200089	A1	1/2002
WO	2004080265	A2	9/2004
WO	2005013794	A1	2/2005
WO	2006027383	A1	3/2006
WO	1651089	A1	5/2006
WO	2015090356	A1	6/2015
WO	2016116067	A1	7/2016
WO	2017193609	A1	11/2017
WO	2017206511	A1	12/2017
WO	2018024160	A1	2/2018
WO	2018040920	A1	3/2018

OTHER PUBLICATIONS

Dual Bucket Omniclean Kit https://www.amazon.com/Unger-CLBK1-Dual-Bucket-Omniclean/dp/B08PMDRDJ5/ref=sr_1_4?dchild=1&keywords=omniclean&qid=1609341253&sr=8-4 (Year: 2020).*

International Search Report and Written Opinion for International Application No. PCT/US2019/034282 dated Aug. 7, 2019, ISR/ WO, dated Aug. 7, 2019, 9 pgs.

* cited by examiner

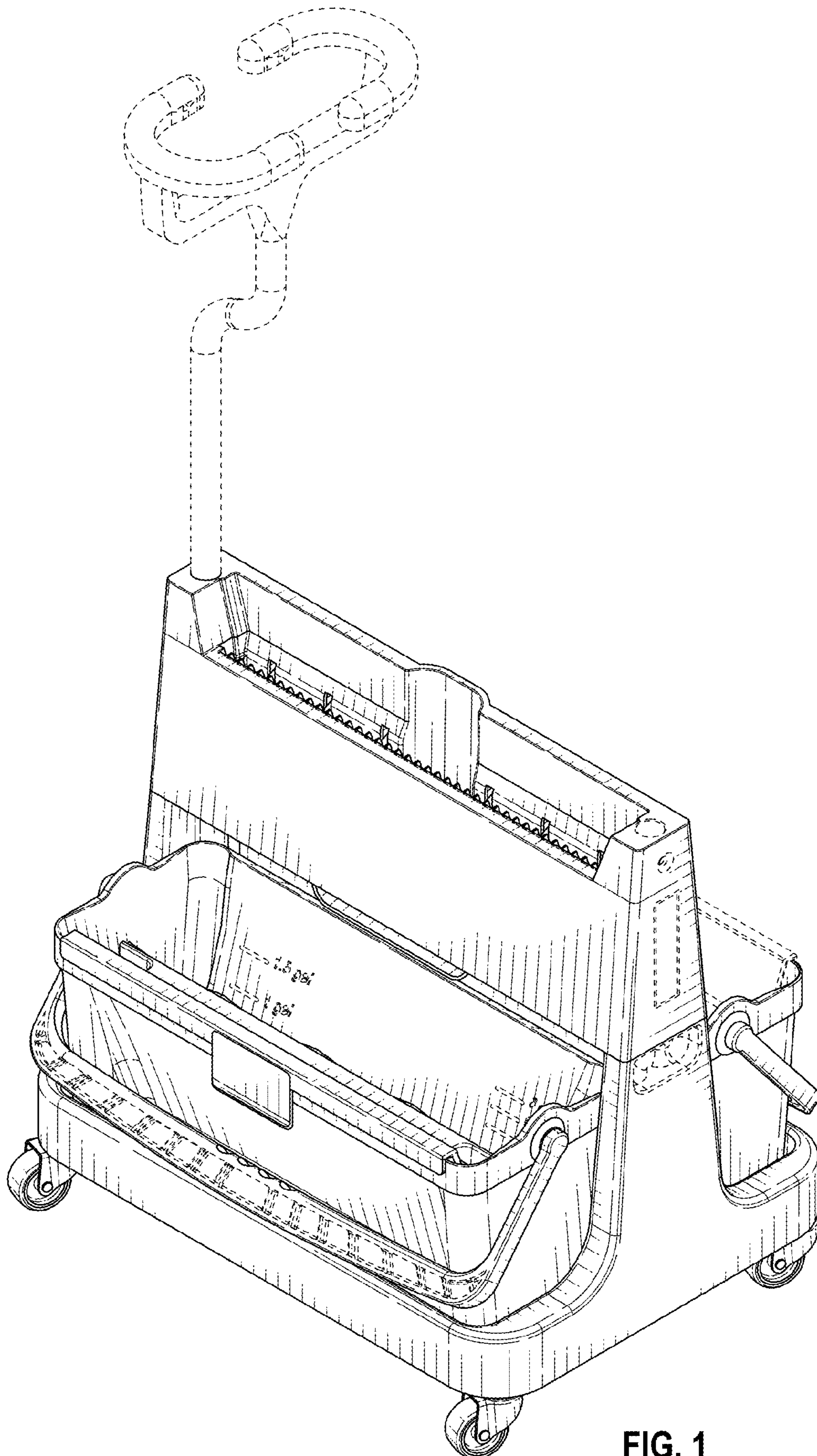


FIG. 1

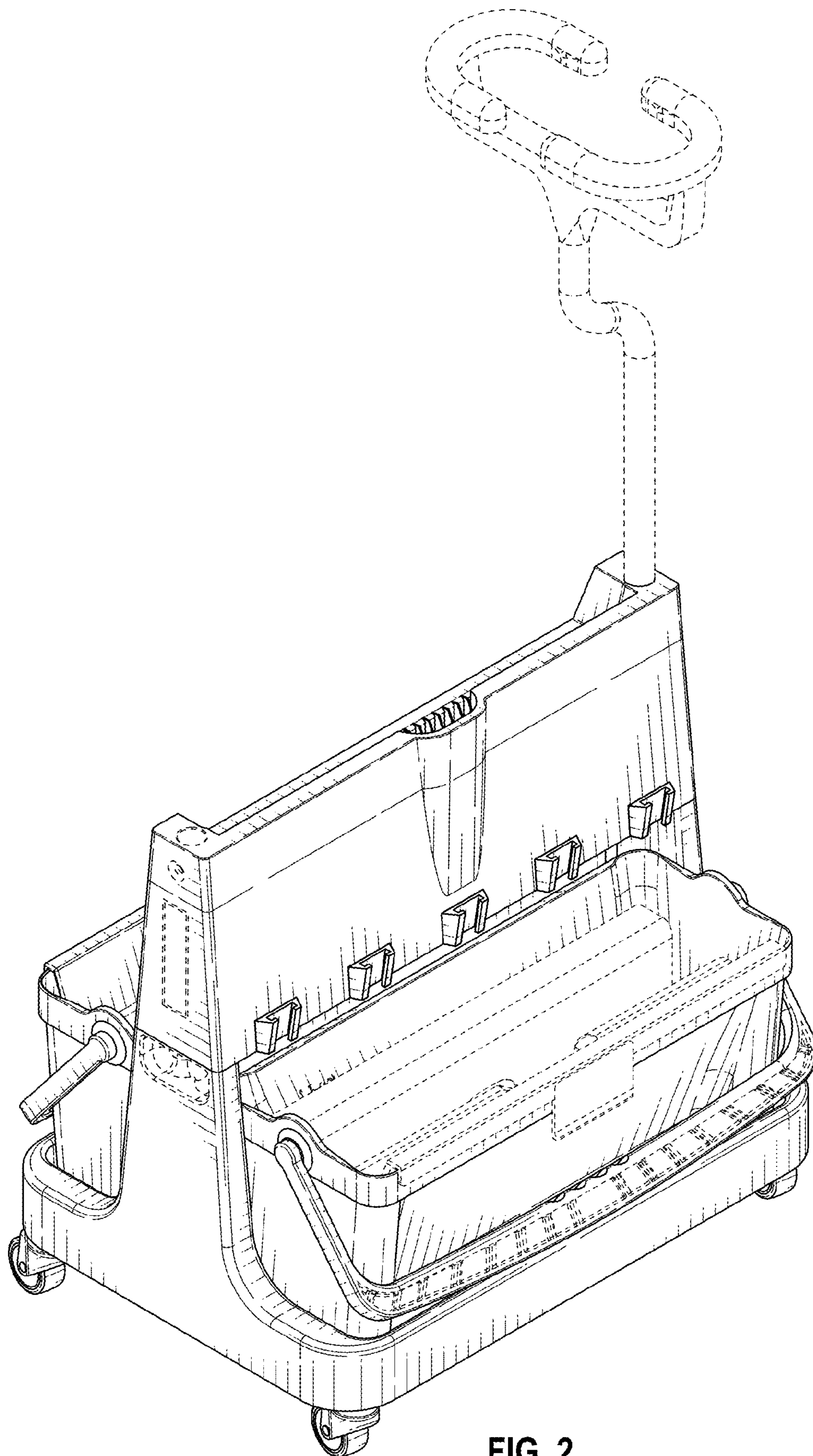


FIG. 2

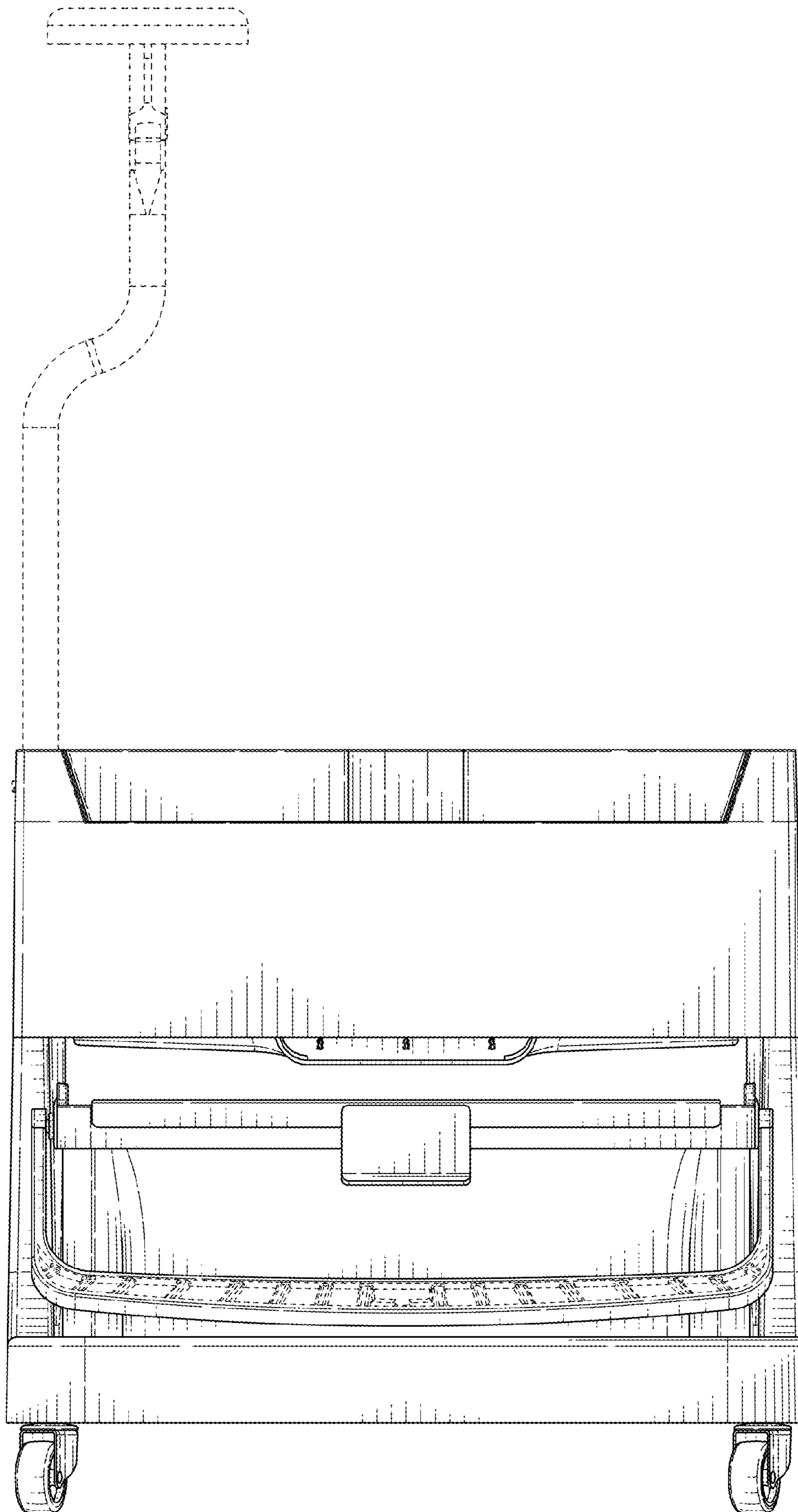


FIG. 3

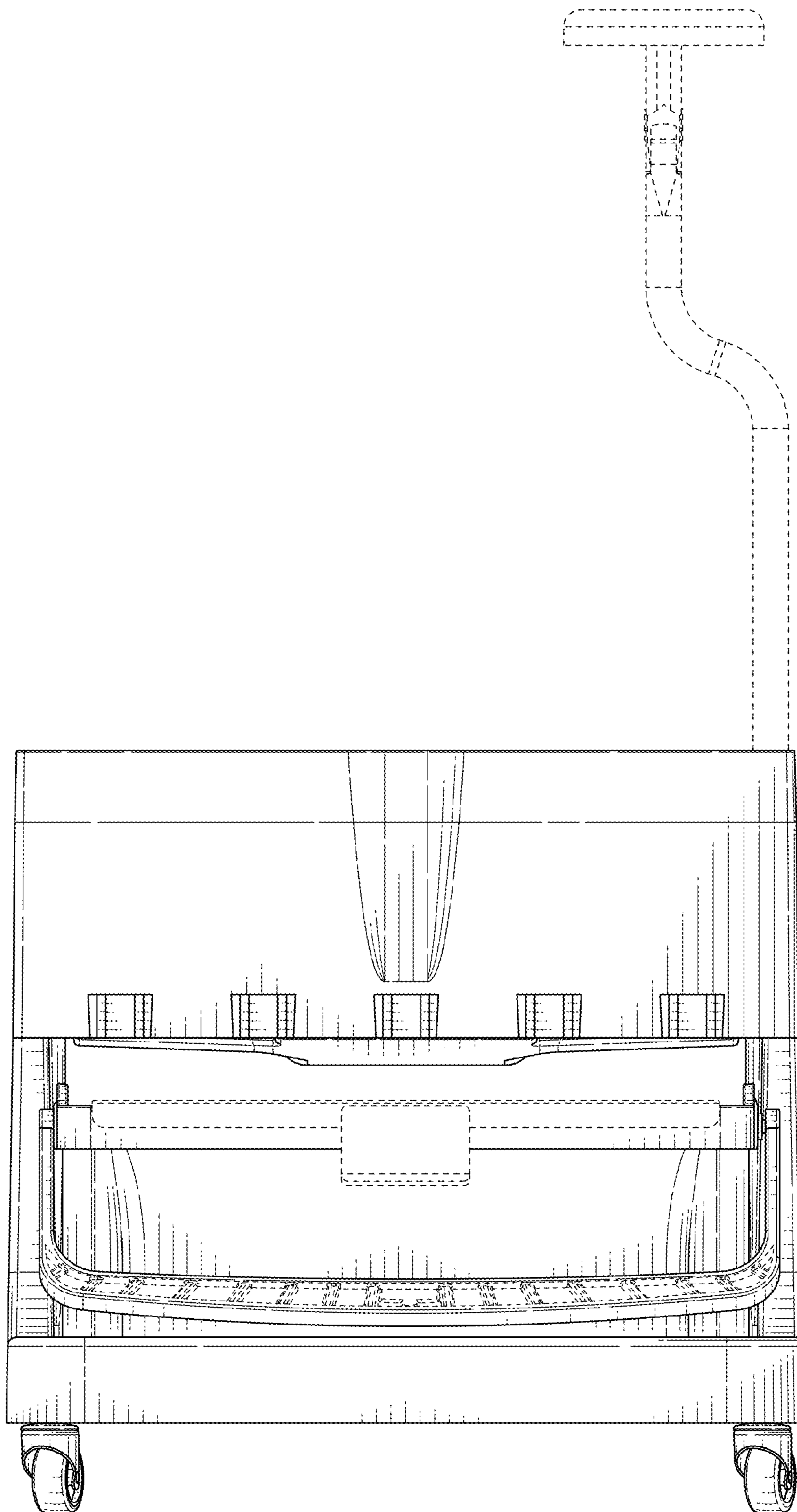


FIG. 4

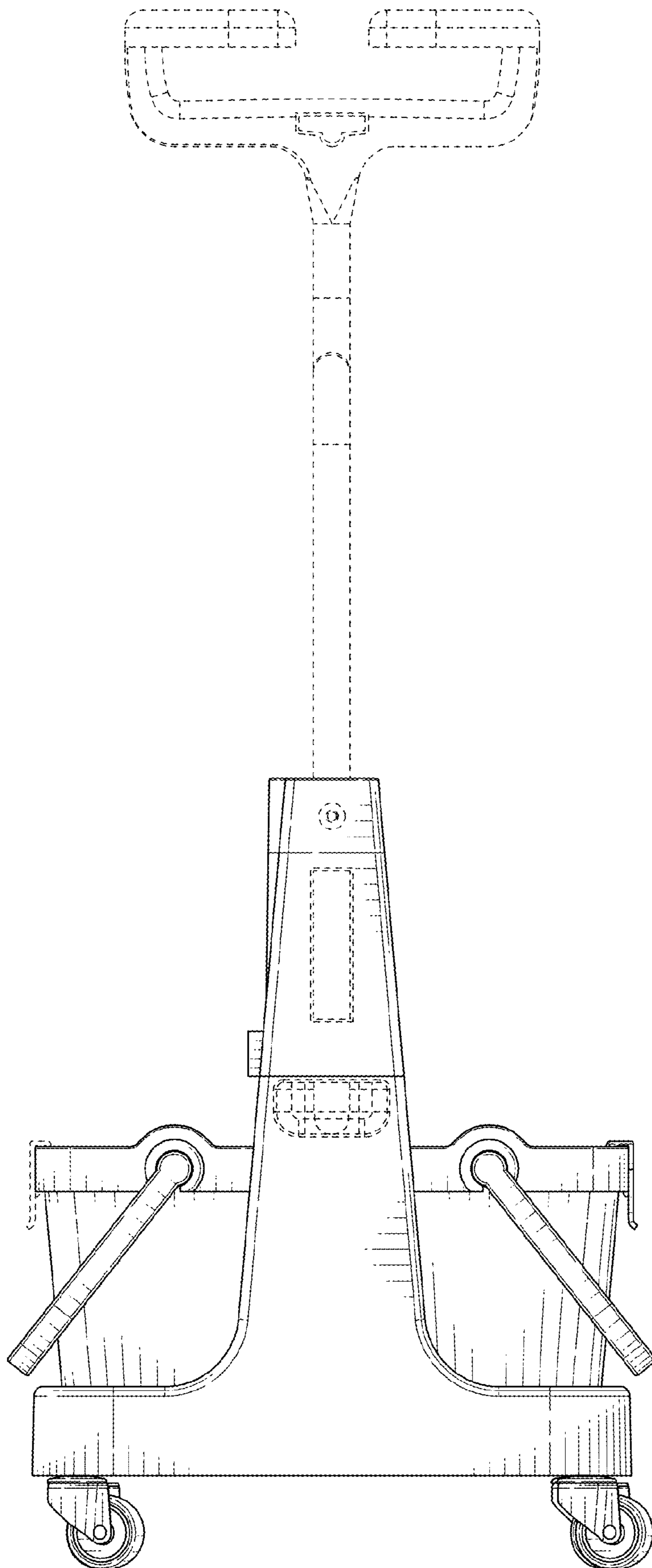


FIG. 5

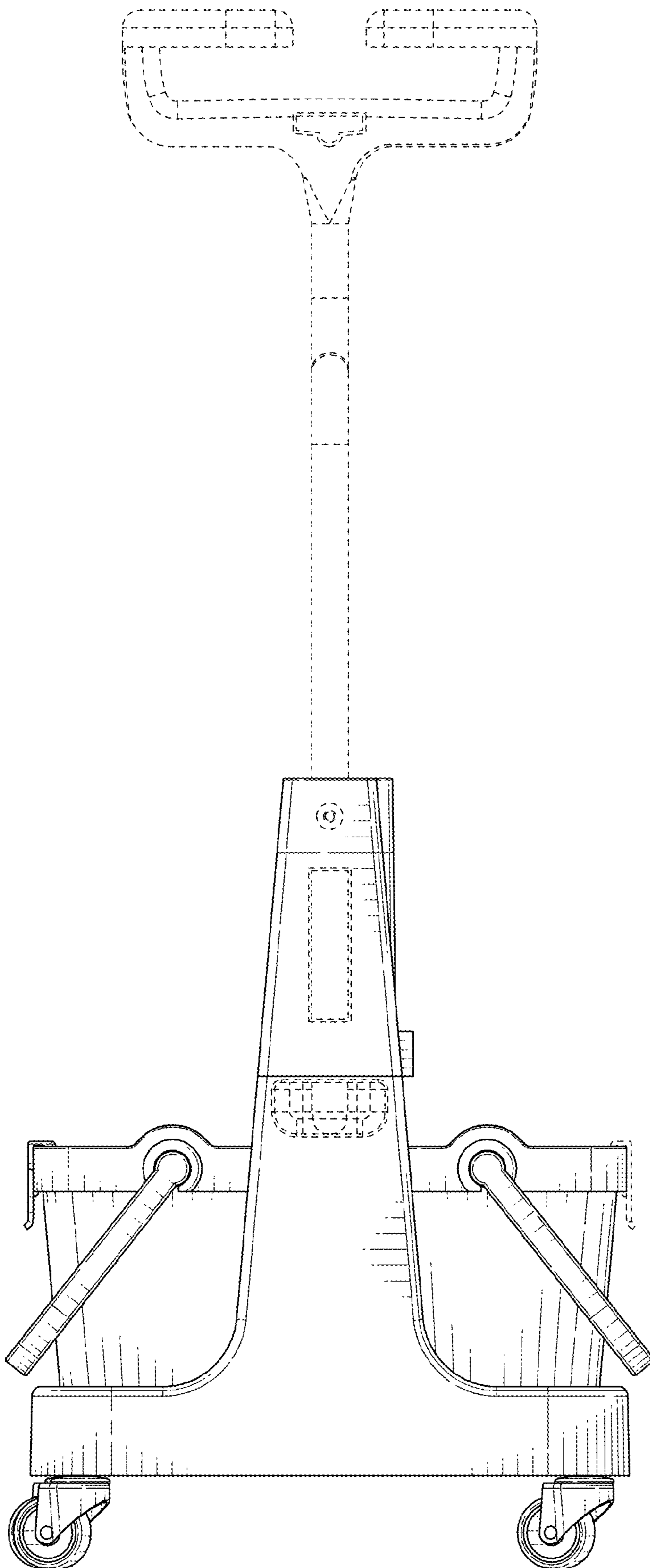


FIG. 6

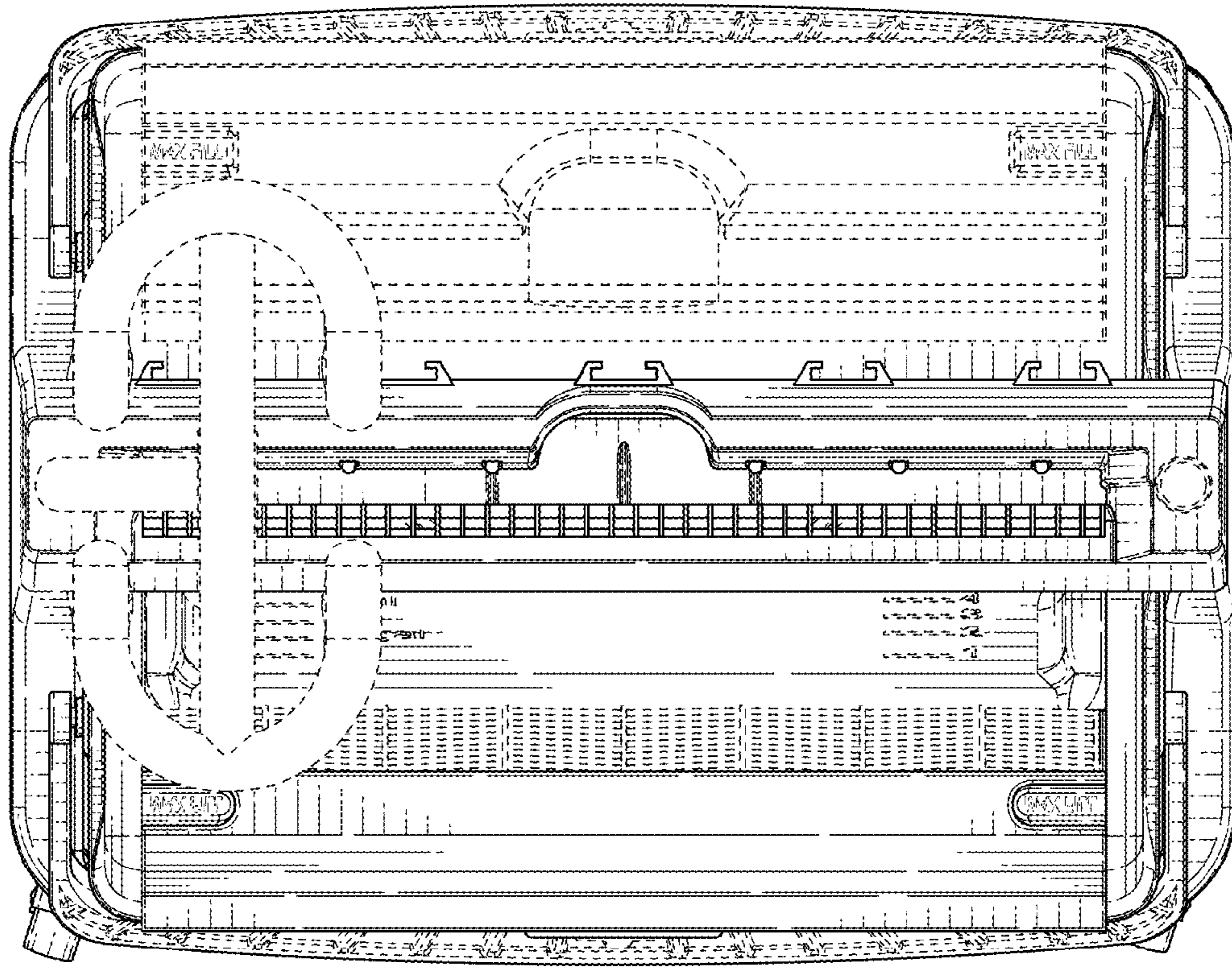


FIG. 7

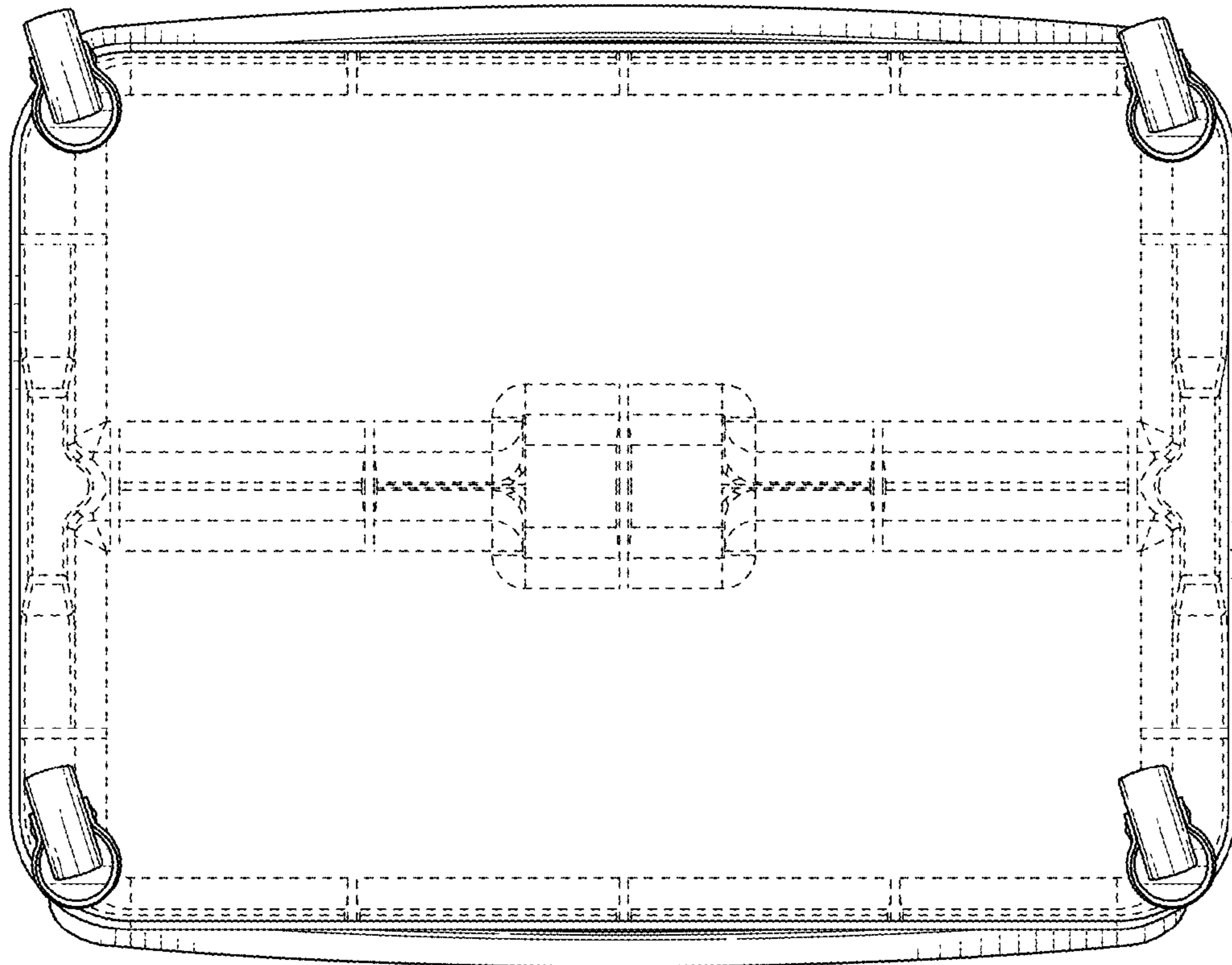


FIG. 8

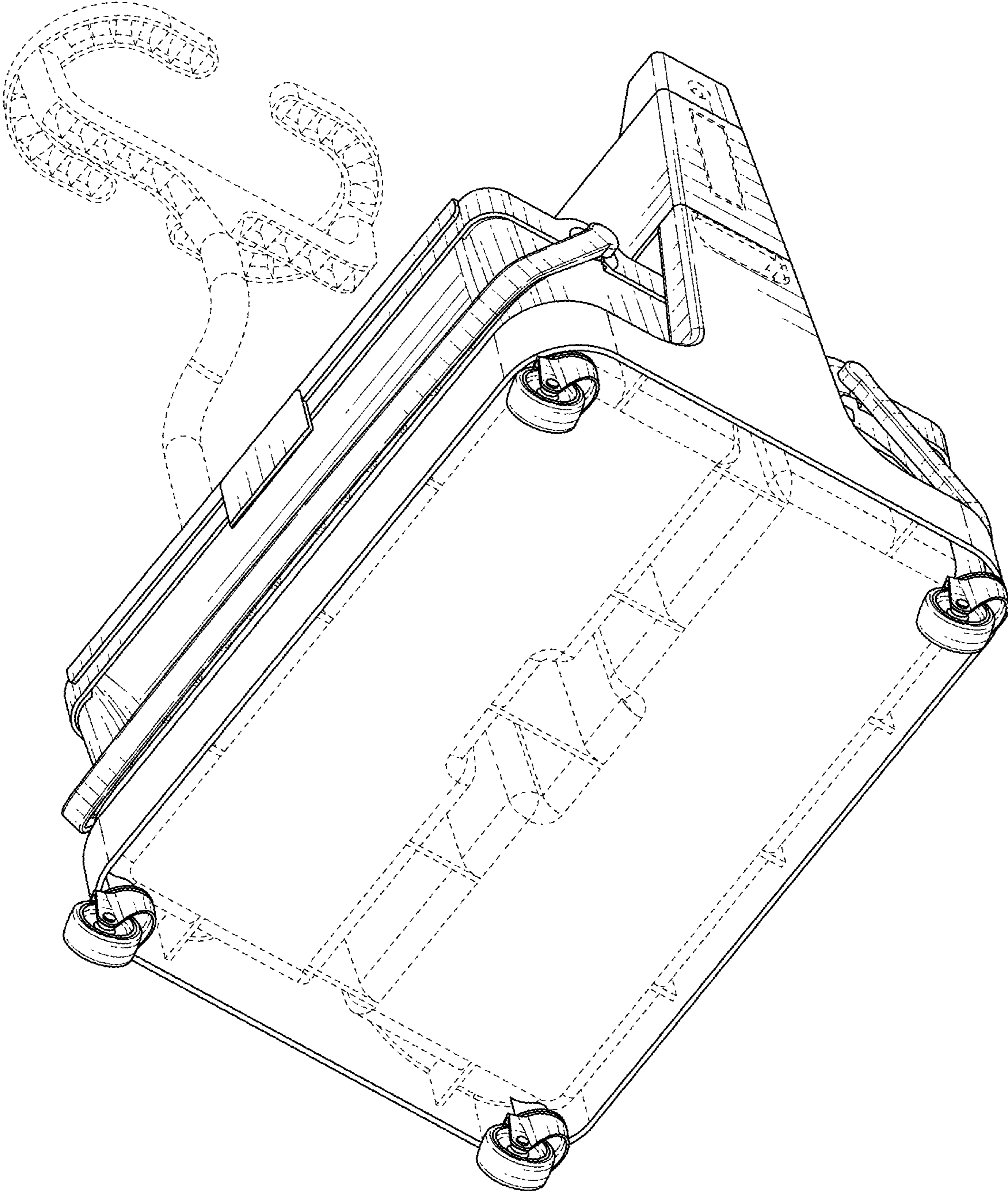


FIG. 9