



US00D923895S

(12) **United States Design Patent** (10) **Patent No.:** **US D923,895 S**
Tyroler (45) **Date of Patent:** **** Jun. 29, 2021**

(54) **RUBBER MOP**
(71) Applicant: **Tyroler Ltd.**, Neve Yamin (IL)
(72) Inventor: **Dan Tyroler**, Neve Yamin (IL)
(73) Assignee: **TYROLER LTD.**, Neve Yamin (IL)
(**) Term: **15 Years**

D685,969 S * 7/2013 Smith D32/50
D817,574 S * 5/2018 Libman D32/50
10,383,503 B2 * 8/2019 Suda A47L 13/44
2007/0256267 A1 * 11/2007 Burnett A47L 13/20
15/229.1
2012/0159728 A1 * 6/2012 Suda B32B 5/26
15/104.93

(21) Appl. No.: **29/698,301**
(22) Filed: **Jul. 16, 2019**

FOREIGN PATENT DOCUMENTS

KR 301056357.0000 * 7/2020

(30) **Foreign Application Priority Data**

Mar. 5, 2019 (CN) 201930087223.X

OTHER PUBLICATIONS

AmazonCommercial Dust Mop Frame, Amazon reviews 2020, https://www.amazon.com/AmazonCommercial-Dust-Mop-Frame-24-Inch/dp/B07V7HPF4F/ref=cm_cr_arp_d_product_top?ie=UTF8, site visited Nov. 19, 2020.*

(51) **LOC (13) Cl.** **07-05**
(52) **U.S. Cl.**
USPC **D32/50**
(58) **Field of Classification Search**
USPC D32/40-44, 46, 49-52; D4/104, 134,
D4/138; D30/158-159; D8/394-395
CPC A47L 17/00; A47L 13/20; A47L 13/252;
A47L 13/24; A46D 3/00; A46B 9/00;
B08B 9/08; A61B 18/14
See application file for complete search history.

* cited by examiner

Primary Examiner — John R Yeh
(74) *Attorney, Agent, or Firm* — The Roy Gross Law Firm, LLC; Roy Gross

(56) **References Cited**

U.S. PATENT DOCUMENTS

D250,245 S * 11/1978 Bebb D32/50
D368,561 S * 4/1996 Hodges D32/50
D386,851 S * 11/1997 Levine D32/40
D423,157 S * 4/2000 Hodges D32/40
D545,517 S * 6/2007 Erken D32/42
D599,517 S * 9/2009 Vrdoljak A47L 13/225
D32/40
D653,827 S * 2/2012 Lee D32/50
D672,930 S * 12/2012 Van Lanningham, Jr. D32/50

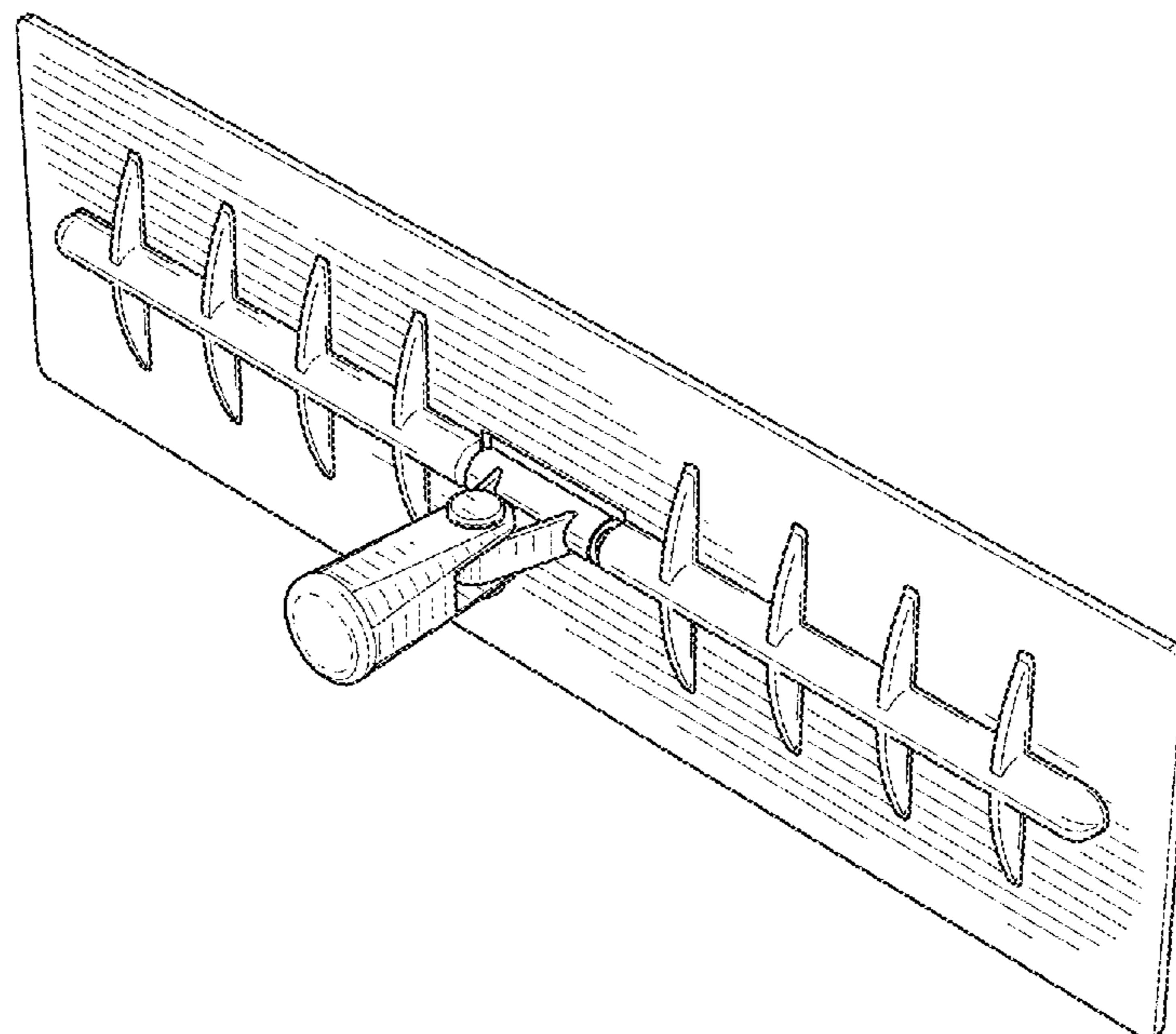
(57) **CLAIM**

The ornamental design for rubber mop, as shown and described.

DESCRIPTION

FIG. 1 is a bottom view of a rubber mop in accordance with the new design;
FIG. 2 is a front view thereof;
FIG. 3 is a top view thereof;
FIG. 4 is a right side view thereof;
FIG. 5 is a bottom perspective thereof; and,
FIG. 6 is a top perspective view thereof.
The broken lines illustrate portions of the rubber mop that form no part of the claimed design.

1 Claim, 2 Drawing Sheets



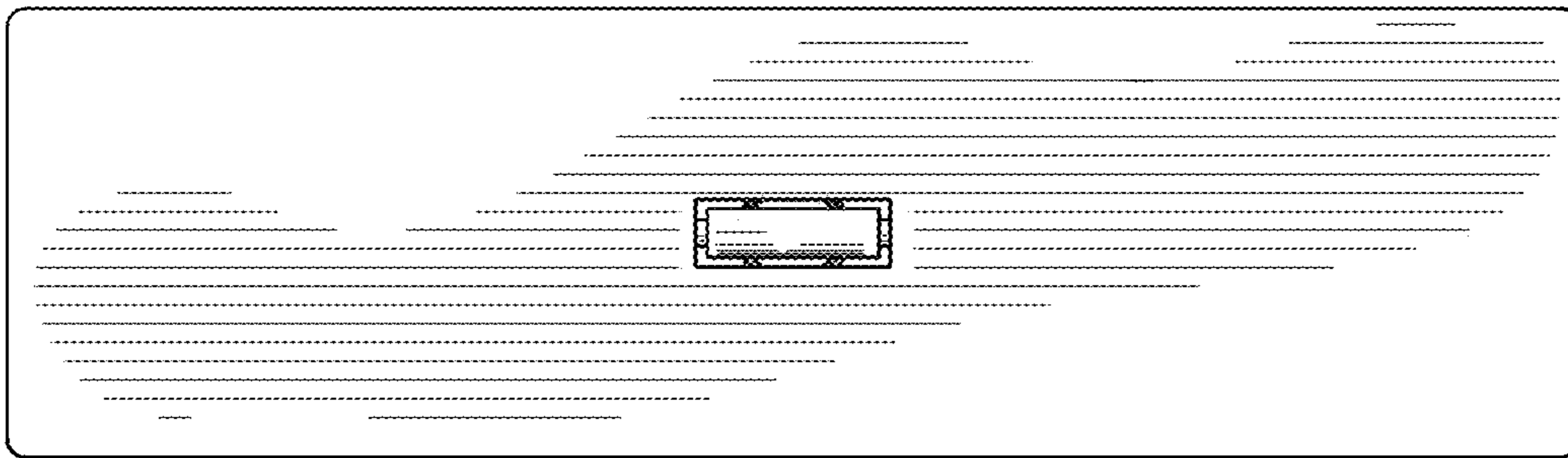


FIG. 1

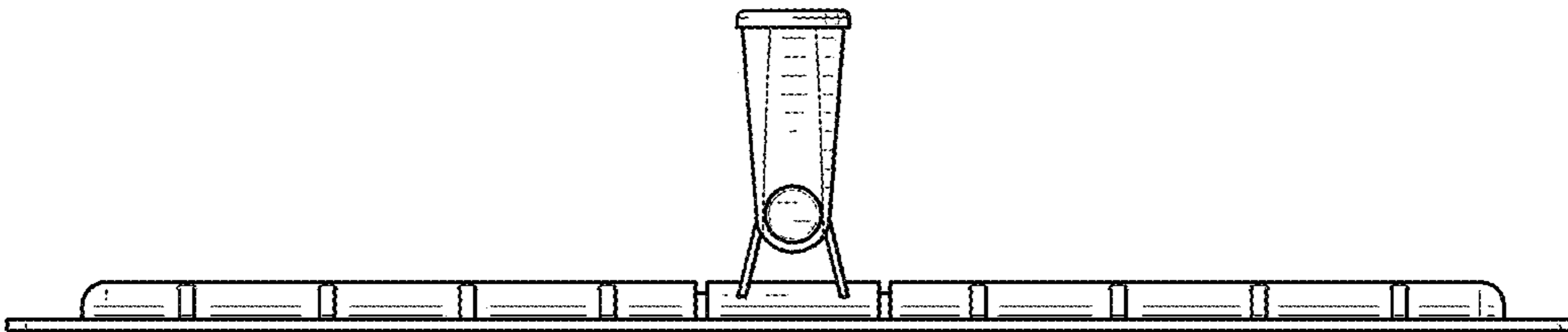


FIG. 2

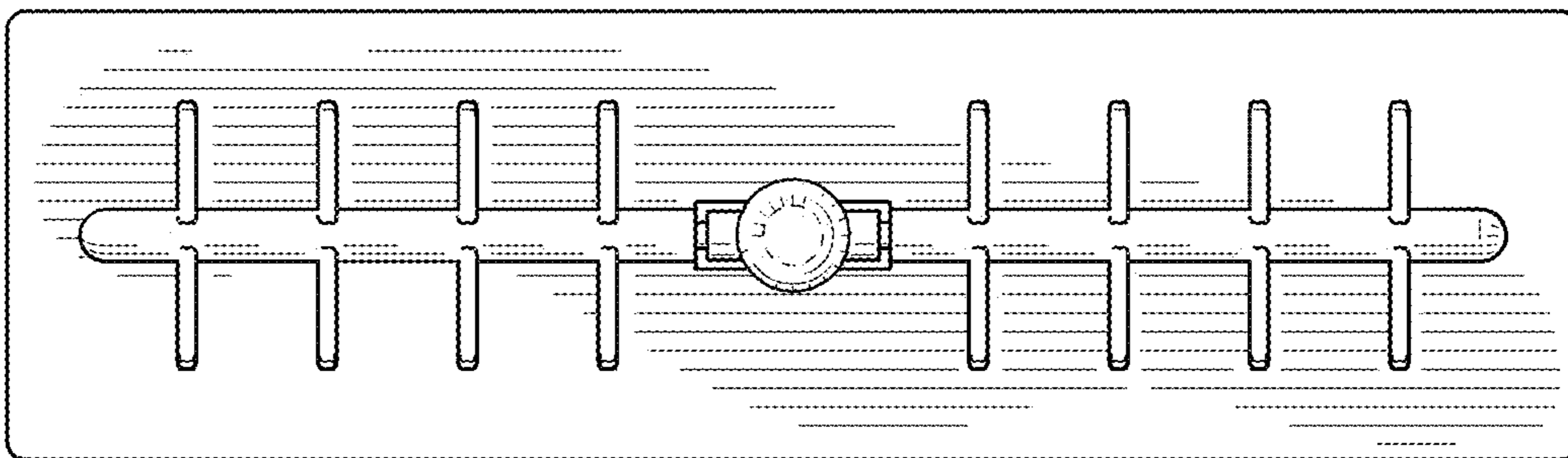


FIG. 3

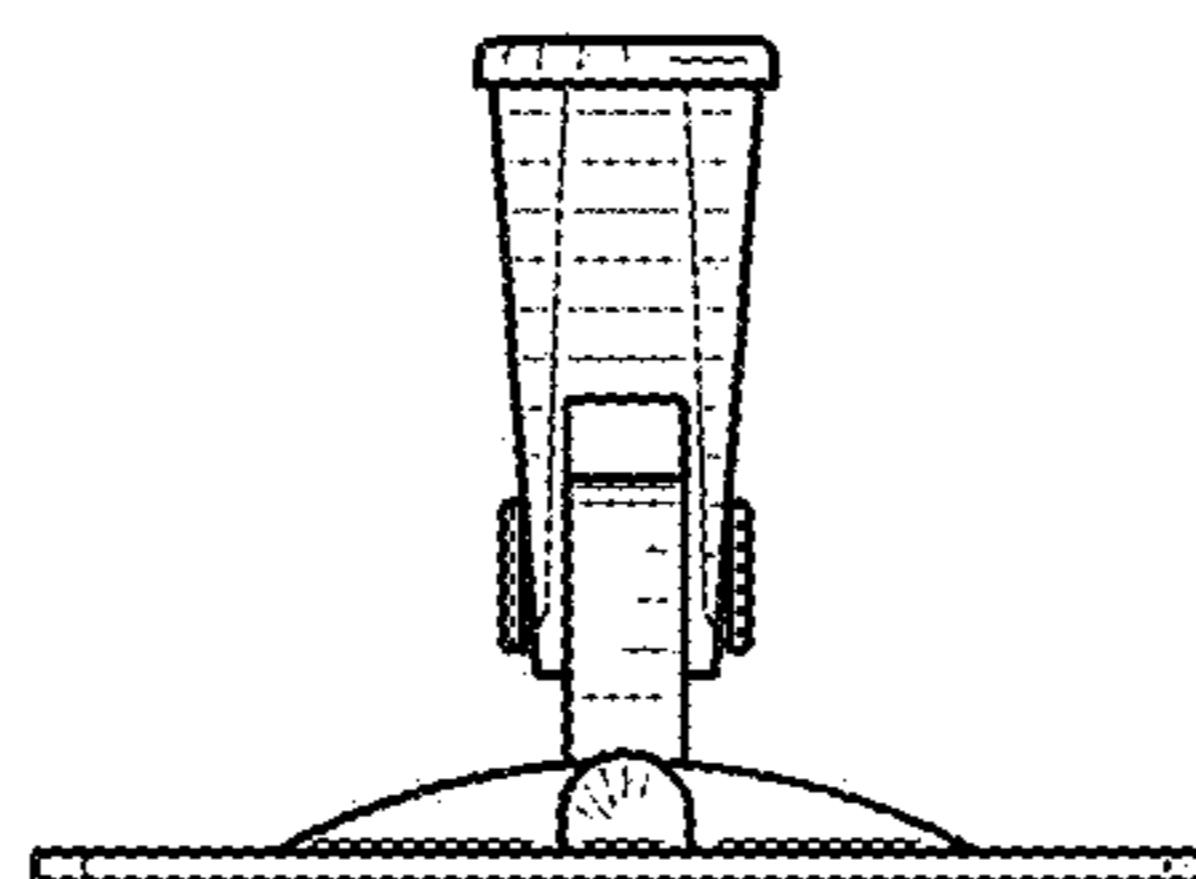


FIG. 4

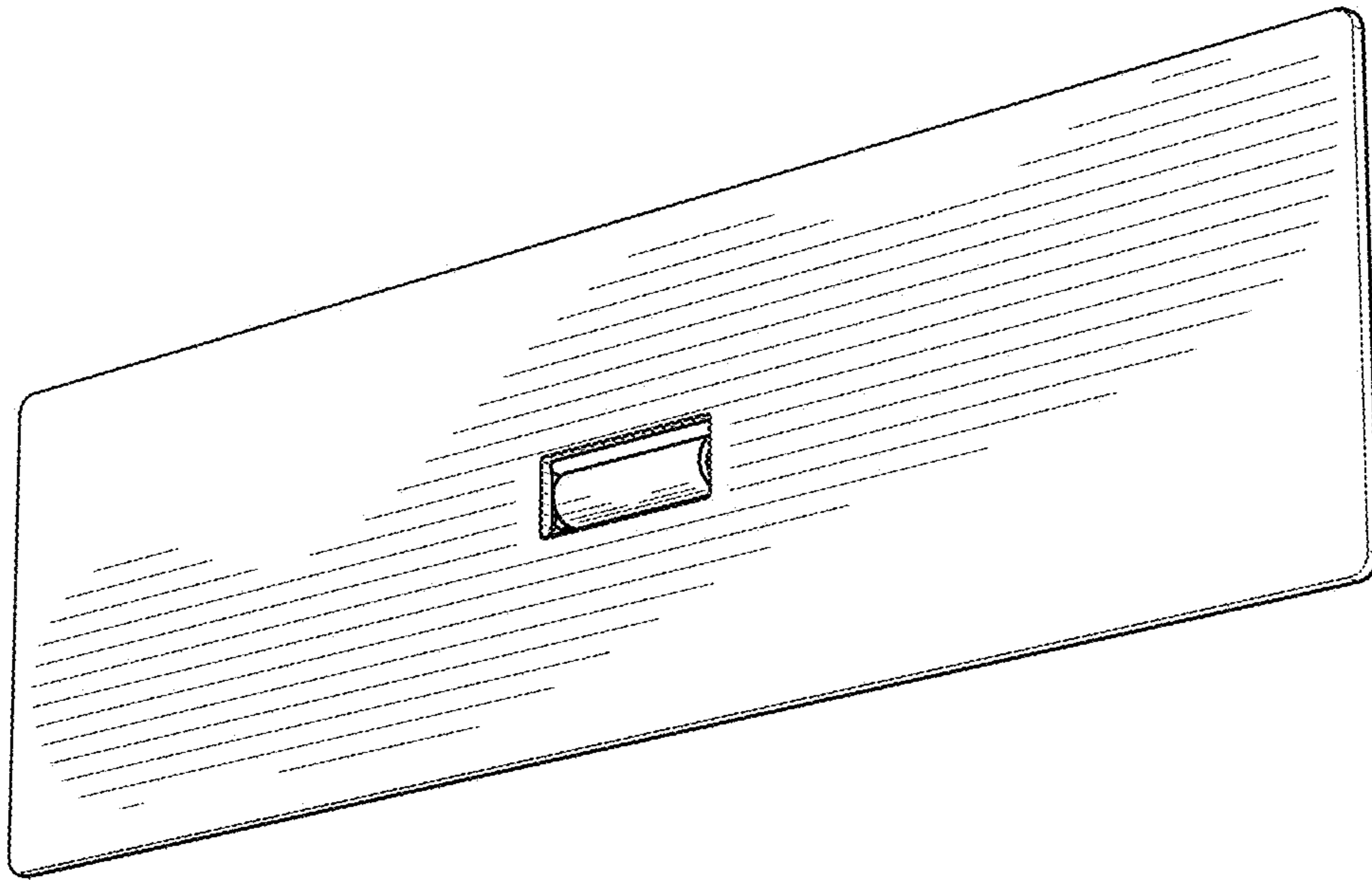


FIG. 5

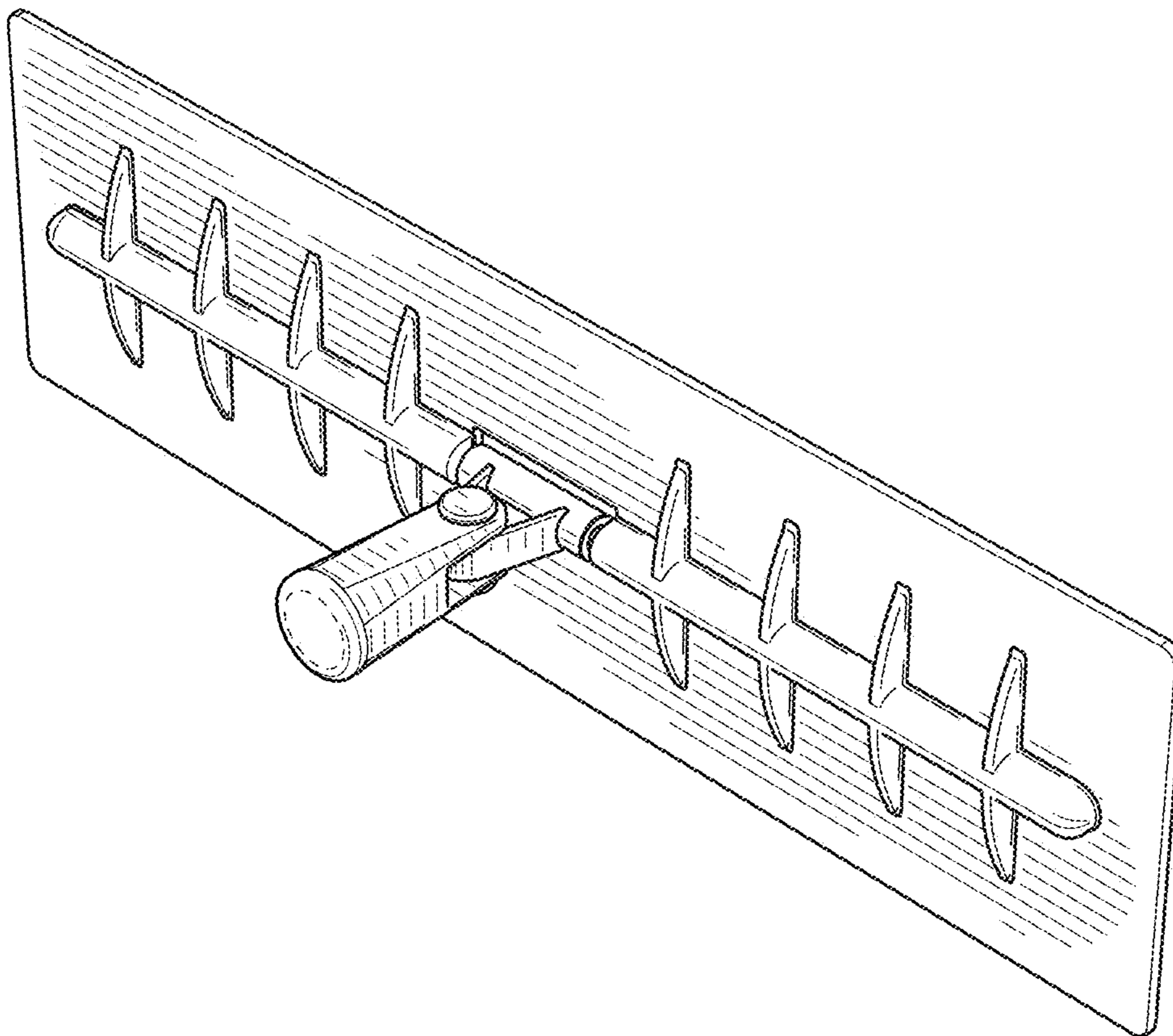


FIG. 6