



US00D923891S

(12) **United States Design Patent**
Knapp

(10) **Patent No.:** **US D923,891 S**

(45) **Date of Patent:** **** Jun. 29, 2021**

(54) **TRAY FOR A SURFACE CLEANING APPARATUS**

(71) Applicant: **BISSELL Inc.**, Grand Rapids, MI (US)

(72) Inventor: **Mackenzie L. Knapp**, Saranac, MI (US)

(73) Assignee: **BISSELL Inc.**, Grand Rapids, MI (US)

(**) Term: **15 Years**

(21) Appl. No.: **29/685,245**

(22) Filed: **Mar. 27, 2019**

(51) **LOC (13) Cl.** **15-05**

(52) **U.S. Cl.**
USPC **D32/31**

(58) **Field of Classification Search**
USPC D10/2; D13/108; D14/217, 224, 434;
D32/18, 22, 25, 29.1, 31, 33
CPC . A47L 9/32; A47L 9/325; A47L 9/327; A47L
9/20; A47L 9/0009; A47L 9/0054; A47L
9/0063; A47L 5/28; A47L 5/30; A47L
5/34

See application file for complete search history.

(56) **References Cited**

U.S. PATENT DOCUMENTS

D306,225 S *	2/1990	Correa	D32/22
D348,548 S *	7/1994	Pino	D32/18
D535,615 S *	1/2007	Iwai	D13/108
D628,961 S *	12/2010	Kim	D13/108
D636,726 S *	4/2011	Hiramura	D13/108
D645,403 S *	9/2011	Seo	D13/108
D663,497 S *	7/2012	Ha	D32/29.1
D698,310 S *	1/2014	Yun	D13/108
D702,665 S *	4/2014	Kim	D14/217
D704,628 S *	5/2014	Tajik	D13/108
D719,309 S *	12/2014	Ashbee	D32/33
D742,885 S *	11/2015	Chen	D14/434
D759,588 S *	6/2016	De Klein	D13/108

D782,411 S *	3/2017	Mischke	D13/108
D797,669 S *	9/2017	Chang	D13/108
D809,232 S *	1/2018	Wu	D32/31
D810,014 S *	2/2018	Haranaka	D13/108
D835,611 S *	12/2018	Yun	D14/224
D847,739 S *	5/2019	Yun	D13/108
D847,740 S *	5/2019	Yamanouchi	D13/108
D872,954 S *	1/2020	Rummel	D32/25
D876,442 S *	2/2020	McCracken	H04R 5/04 D14/434

(Continued)

OTHER PUBLICATIONS

<https://www.wayfair.com/appliances/pdx/bissell-crosswave-cordless-multi-surface-wet-dry-vac-bse10091.html> (Year: 2020).*

(Continued)

Primary Examiner — Michelle E. Wilson

Assistant Examiner — Richard E Yenchesky

(74) *Attorney, Agent, or Firm* — Warner Norcross + Judd LLP

(57) **CLAIM**

The ornamental design for a tray for a surface cleaning apparatus, as shown and described.

DESCRIPTION

FIG. 1 is a front, right perspective view of a tray for a surface cleaning apparatus;

FIG. 2 is a front view thereof;

FIG. 3 is a rear view thereof;

FIG. 4 is a left side view thereof;

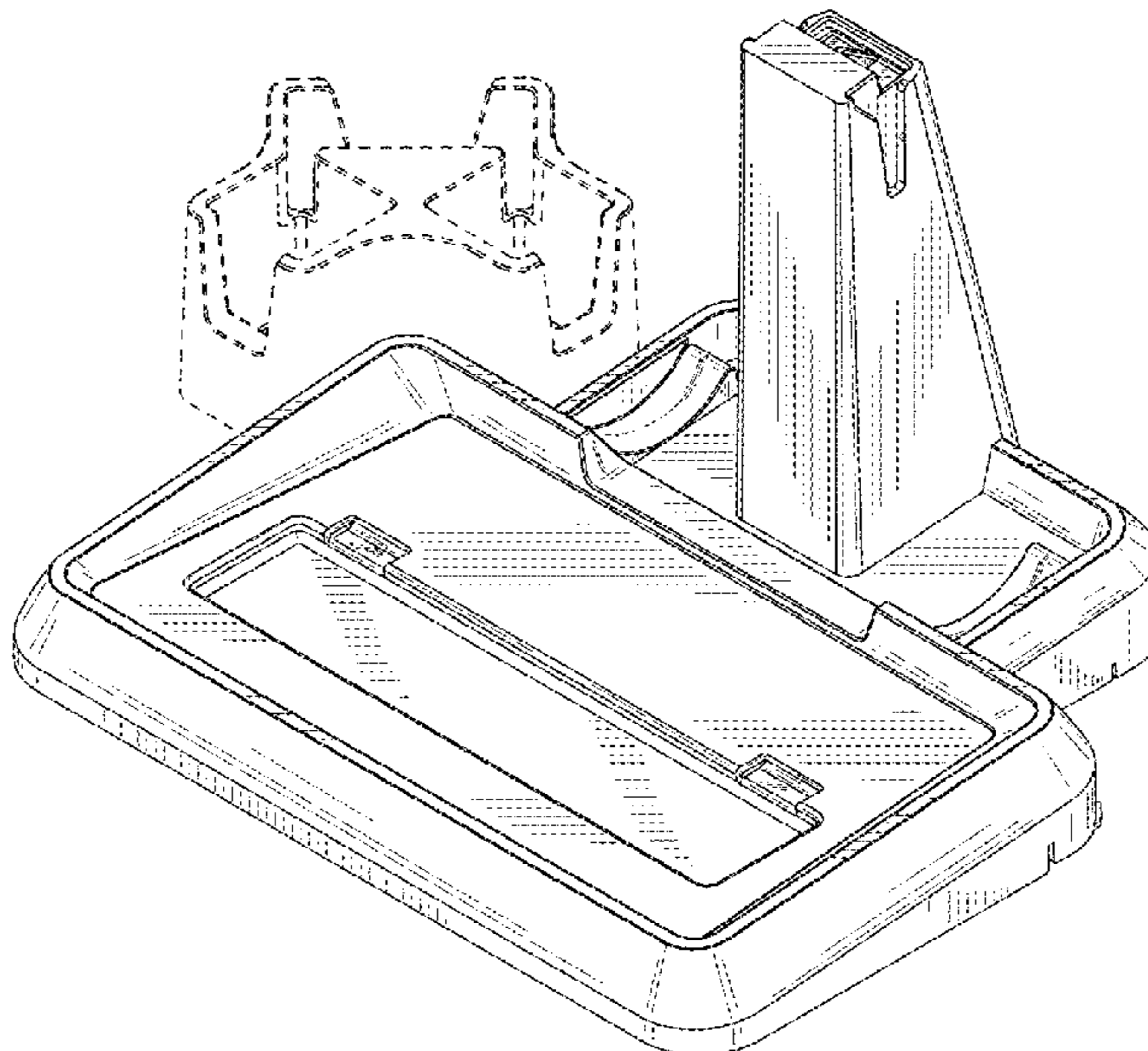
FIG. 5 is a right side view thereof;

FIG. 6 is a top view thereof; and,

FIG. 7 is a front, right perspective view thereof, with a surface cleaning apparatus and accessories shown in broken line forming no part of the claimed design.

The details shown in broken lines form no part of the claimed design.

1 Claim, 7 Drawing Sheets



(56)

References Cited

U.S. PATENT DOCUMENTS

D881,022 S * 4/2020 Long D10/2

OTHER PUBLICATIONS

<https://www.bissell.com/crosswave-cordless-max-multi-surface-wet-dry-vac-2554A.html> (Year: 2020).*

<https://www.vacuumsguide.com/bissell-crosswave-max/> (Year: 2020).*

* cited by examiner

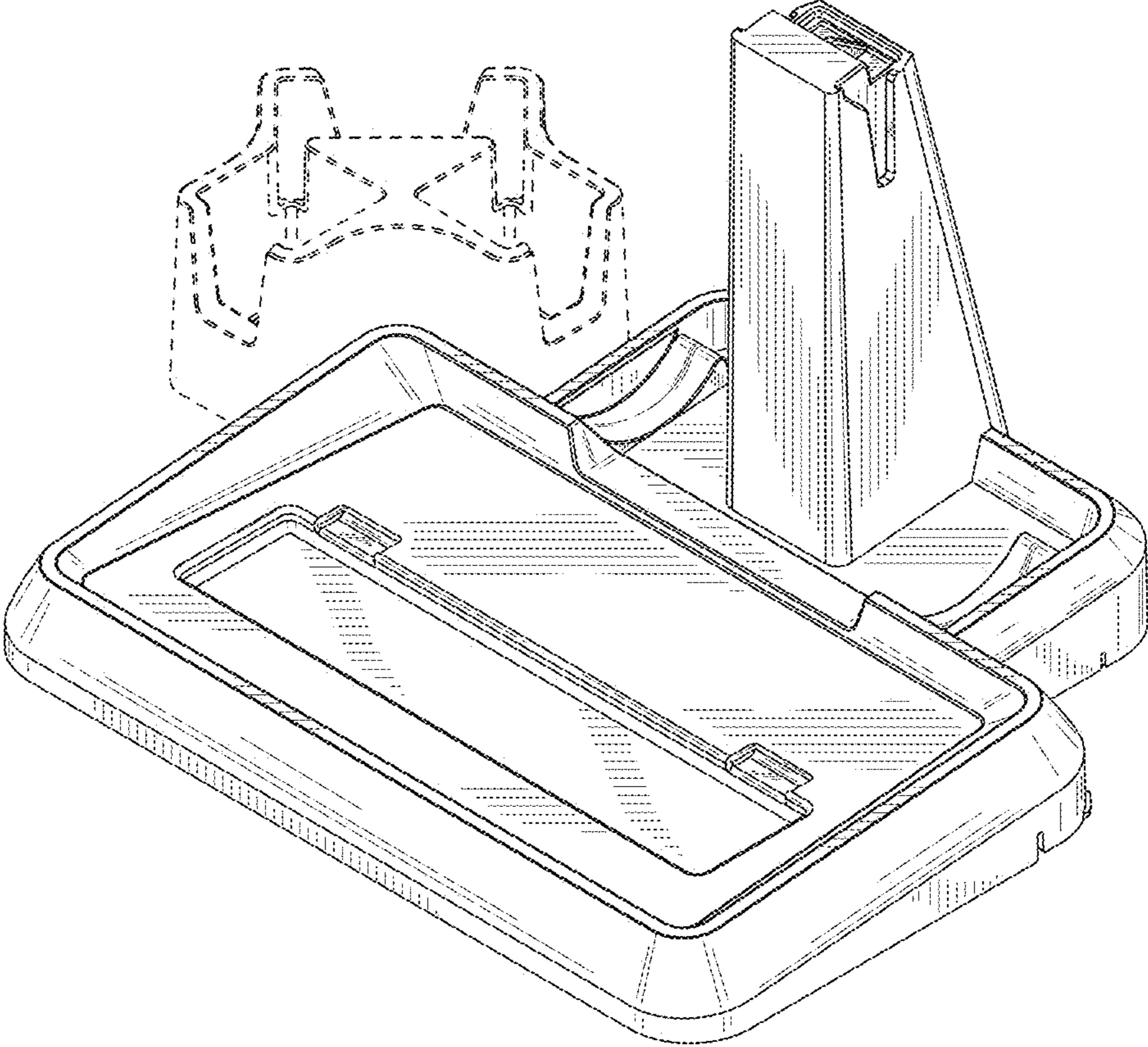


FIG. 1

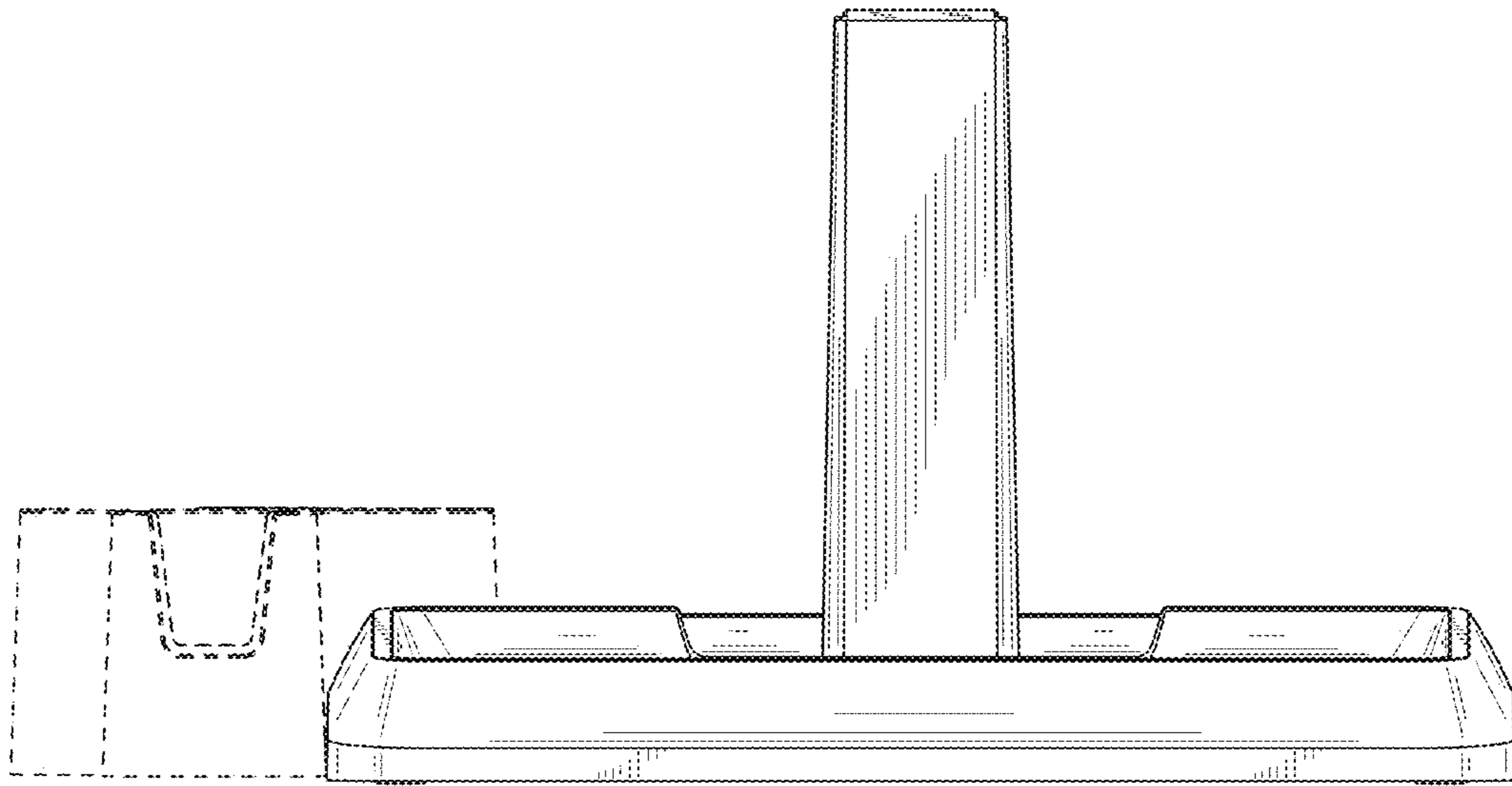


FIG. 2

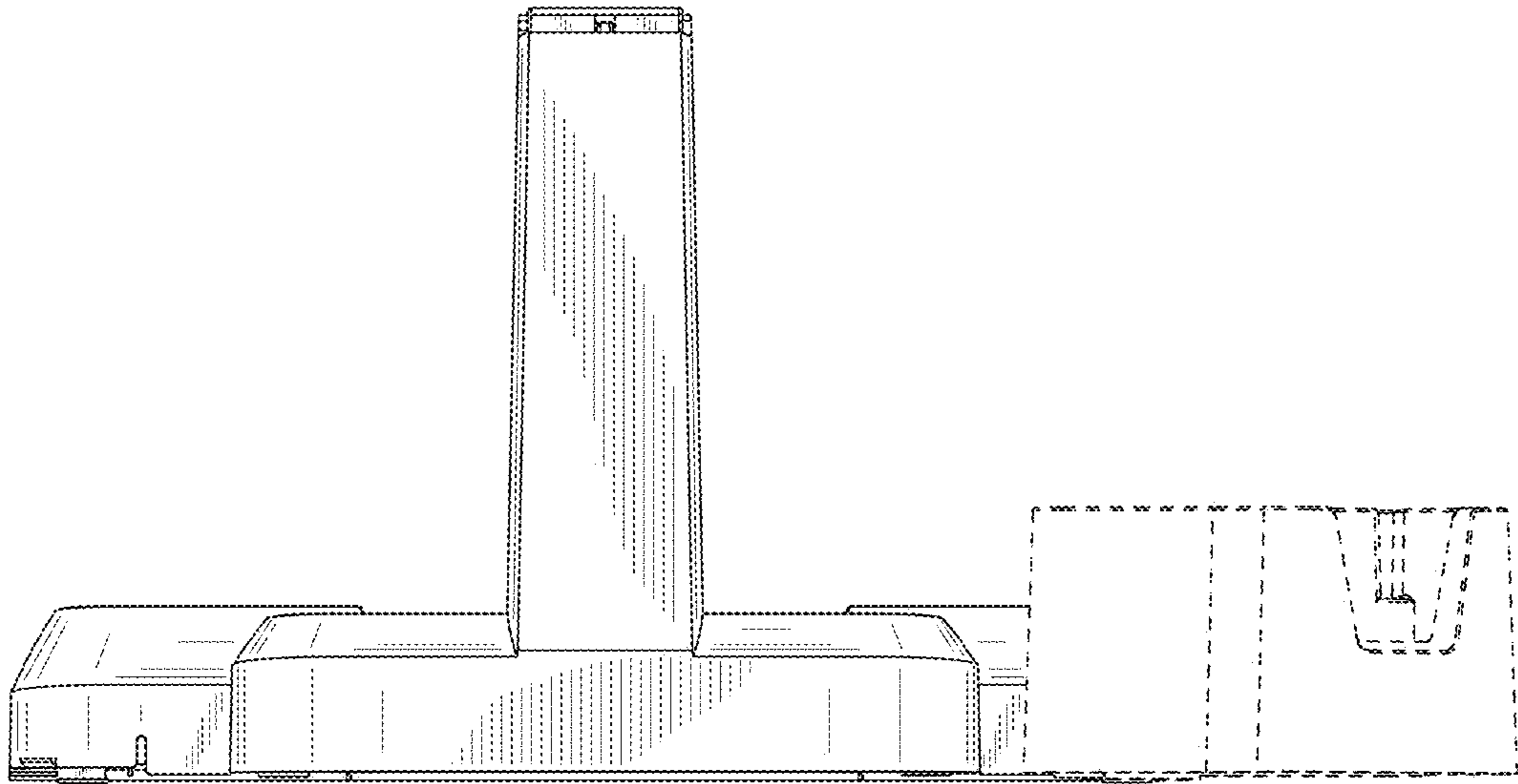


FIG. 3

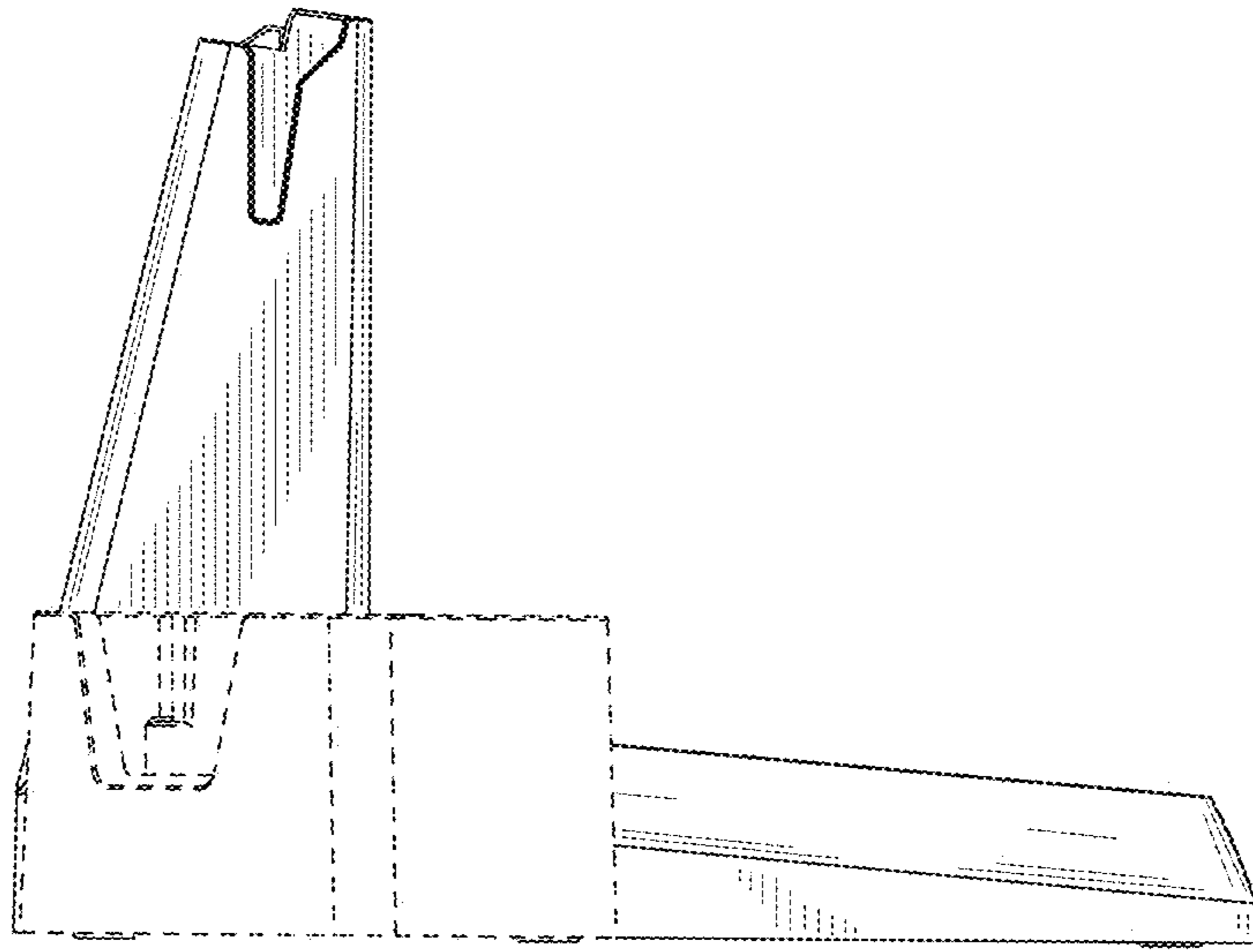


FIG. 4

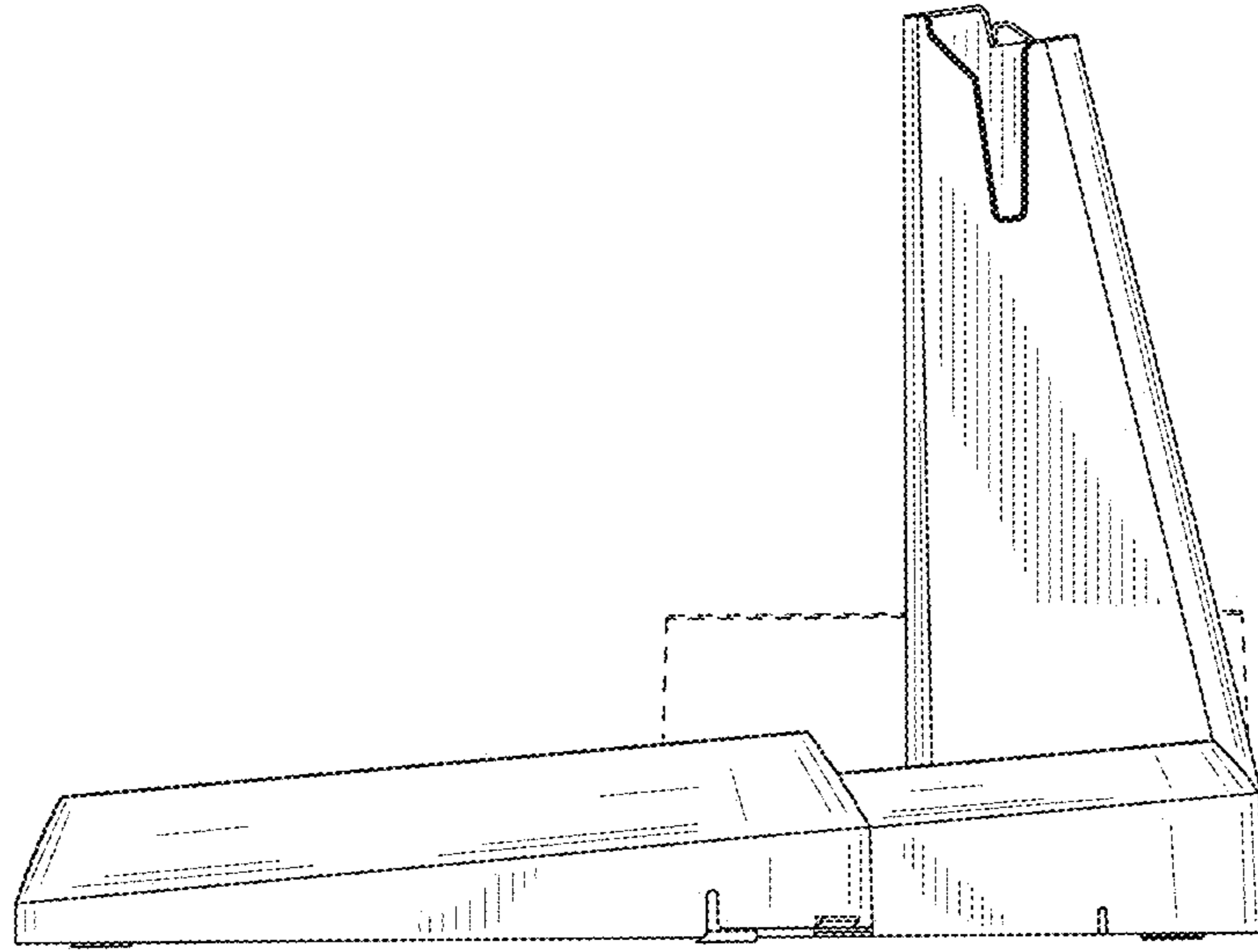


FIG. 5

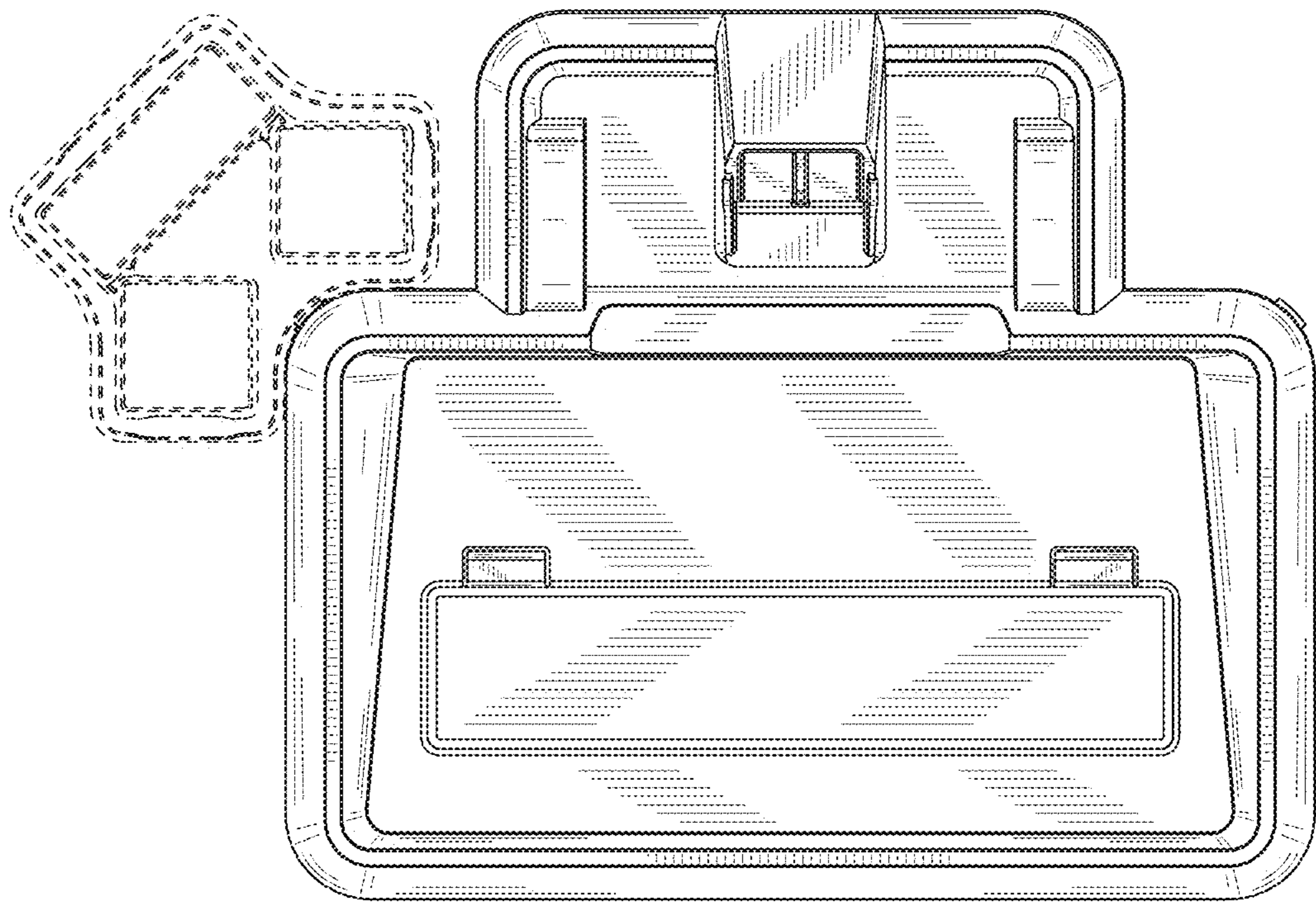


FIG. 6

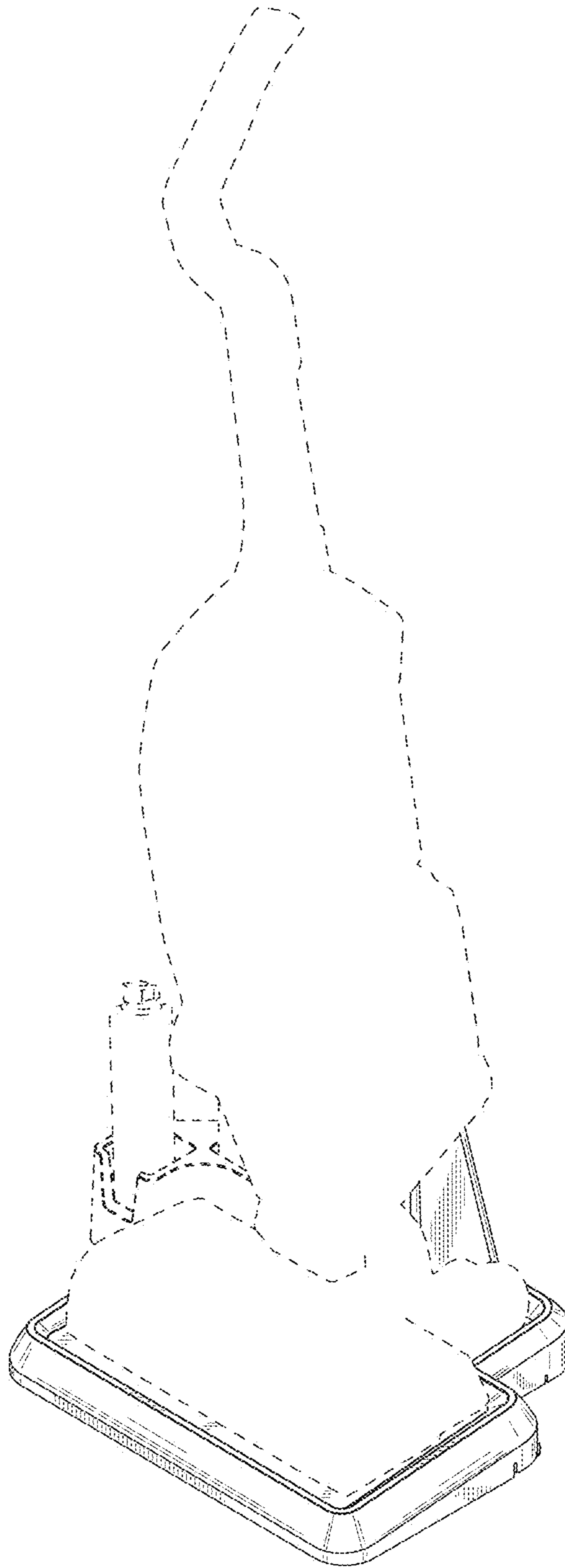


FIG. 7