



US00D923887S

(12) **United States Design Patent** (10) **Patent No.:** **US D923,887 S**  
**Wang** (45) **Date of Patent:** **\*\* Jun. 29, 2021**

(54) **LITTER BOX**  
(71) Applicant: **Hangzhou Huanyu Technology Co., Ltd, Hangzhou (CN)**  
(72) Inventor: **Mingxue Wang, Hangzhou (CN)**  
(73) Assignee: **Hangzhou Huanyu Technology Co., Ltd, Hangzhou (CN)**  
  
(\*\*) Term: **15 Years**  
(21) Appl. No.: **29/730,054**  
(22) Filed: **Apr. 1, 2020**  
(51) **LOC (13) Cl.** ..... **30-99**  
(52) **U.S. Cl.**  
USPC ..... **D30/161**  
(58) **Field of Classification Search**  
USPC ..... D30/158-161; D3/304  
CPC .... A01K 1/011; A01K 1/0107; A01K 1/0125;  
A01K 1/0121; A47K 11/02; A47K 11/06;  
A47K 13/00; A47K 13/06; A47K 13/14  
See application file for complete search history.

(56) **References Cited**  
**U.S. PATENT DOCUMENTS**  
5,662,066 A \* 9/1997 Reitz ..... A01K 1/0114  
119/163  
5,713,302 A \* 2/1998 Walter ..... A01K 1/0107  
119/165  
D496,501 S \* 9/2004 Walter ..... D30/161  
D676,613 S \* 2/2013 Chiu ..... D30/117  
D681,885 S \* 5/2013 Pitter ..... D30/121  
D743,117 S \* 11/2015 Shibata ..... D30/161  
D753,886 S \* 4/2016 Veness ..... D30/161  
D756,041 S \* 5/2016 Robbins, III ..... D25/19  
D782,755 S \* 3/2017 Veness ..... D30/161  
D815,365 S \* 4/2018 Scariot ..... D30/118  
10,258,019 B1 \* 4/2019 Bogart ..... A01K 1/0114  
D858,006 S 8/2019 Giddings  
10,440,932 B2 \* 10/2019 Dmoch ..... A01K 1/0107

10,653,106 B2 \* 5/2020 Northrop ..... A01K 1/0107  
2002/0139312 A1 \* 10/2002 Reitz ..... A01K 1/0114  
119/165  
2007/0051323 A1 \* 3/2007 Guard ..... A01K 1/033  
119/482  
2010/0139570 A1 \* 6/2010 Pfingsten ..... A01K 5/0142  
119/63  
2015/0101543 A1 \* 4/2015 Baxter ..... A01K 5/0142  
119/498

**OTHER PUBLICATIONS**

Igloo—Reinvent & Affordable Auto Cat Litter Box, posted at indiegogo.com, earliest date reviewed on Apr. 15, 2020, [online], acquired on Dec. 9, 2020, Available on internet. url:https://www.indiegogo.com/projects/igloo-reinvent-affordable-auto-cat-litter-box#/comments.\*

\* cited by examiner

*Primary Examiner* — Sheryl Lane  
*Assistant Examiner* — Aula Soroush

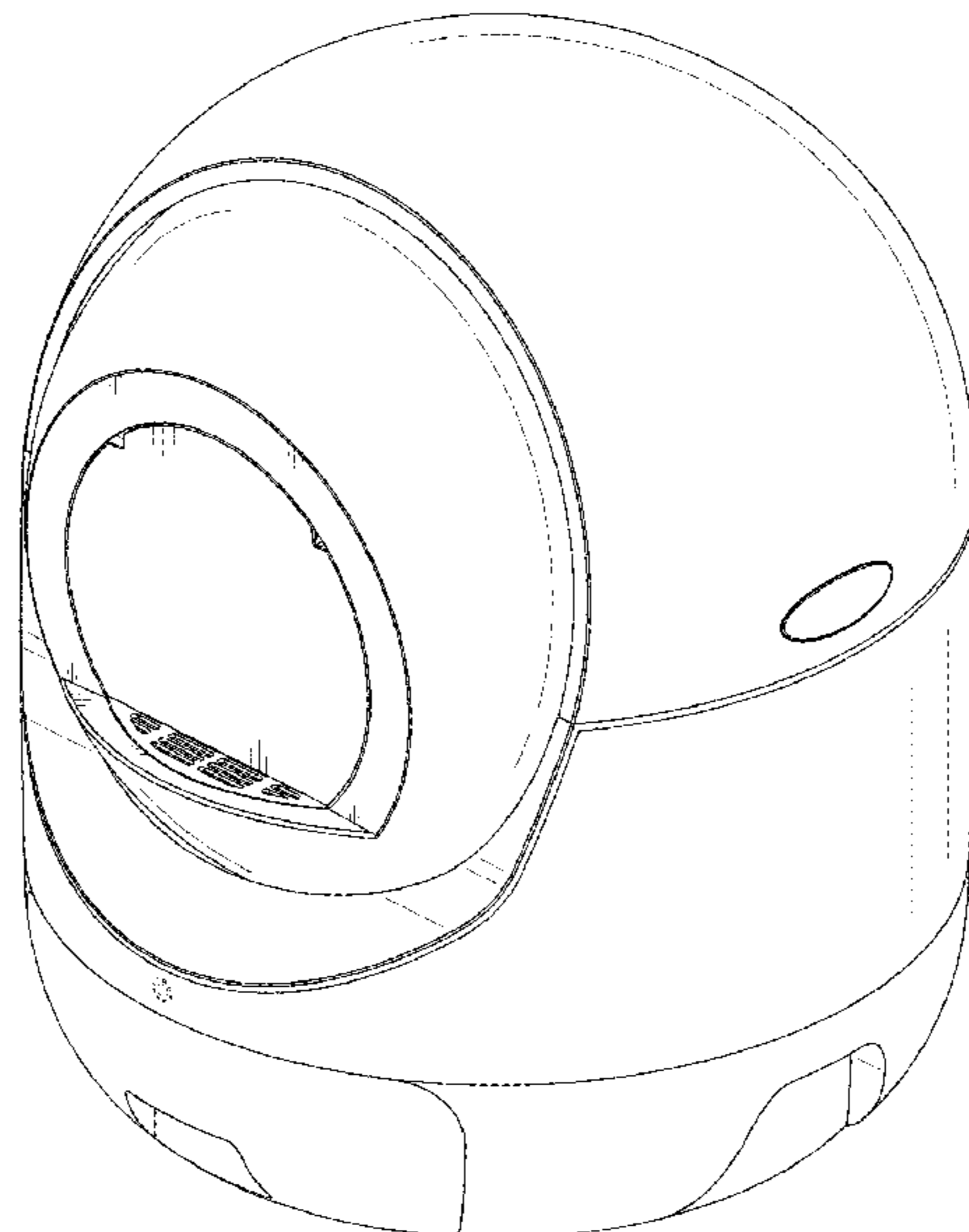
(57) **CLAIM**

The ornamental design for a litter box, as shown and described.

**DESCRIPTION**

FIG. 1 is a front perspective view of a litter box showing my new design;  
FIG. 2 is a rear perspective view thereof;  
FIG. 3 is a front elevational view thereof;  
FIG. 4 is a rear elevational view thereof;  
FIG. 5 is a left side elevational view thereof;  
FIG. 6 is a right side elevational view thereof;  
FIG. 7 is a top plan view thereof; and,  
FIG. 8 is a bottom plan view thereof.  
The broken lines in the drawings illustrate portions of the litter box that form no part of the claimed design.

**1 Claim, 8 Drawing Sheets**



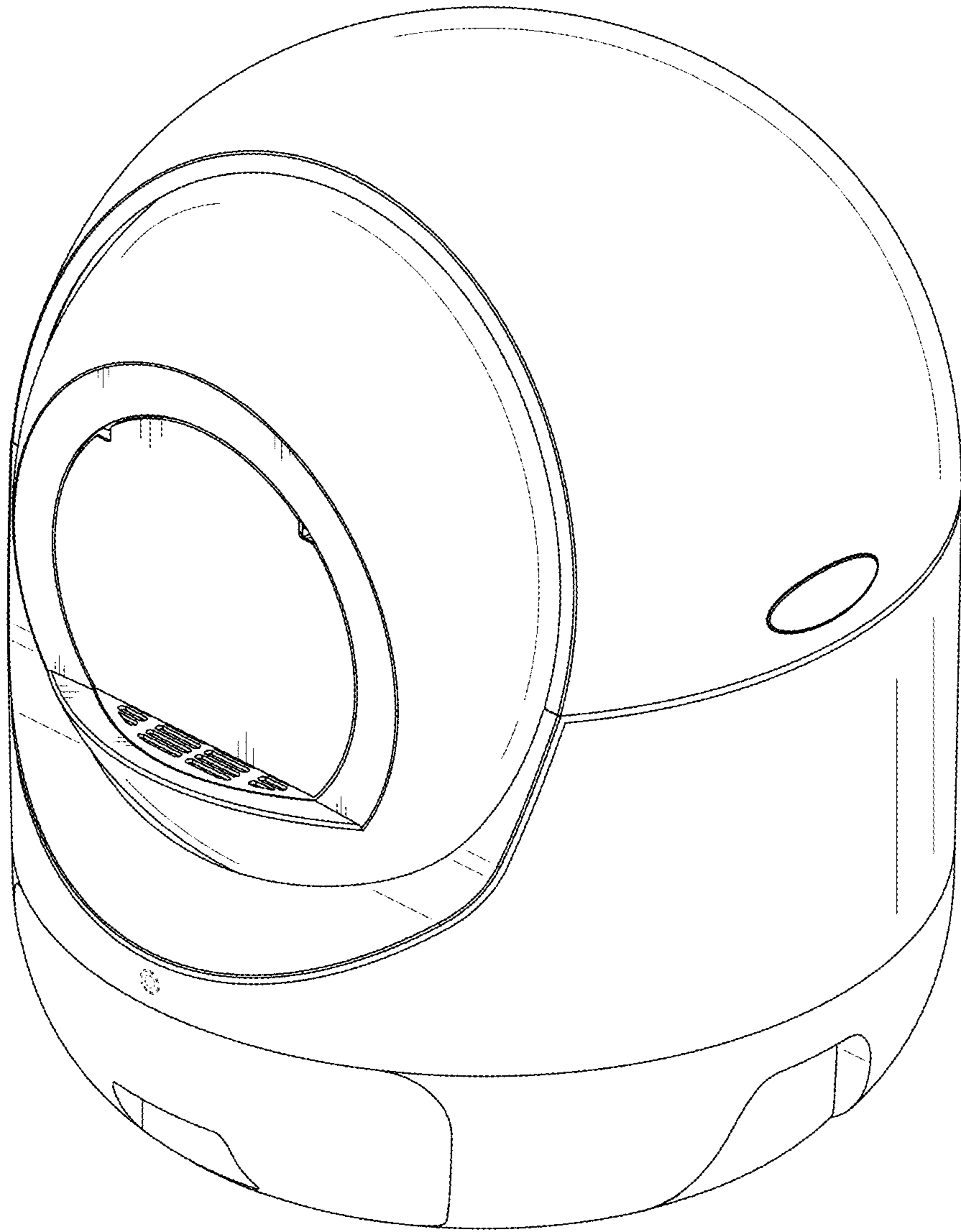


FIG. 1

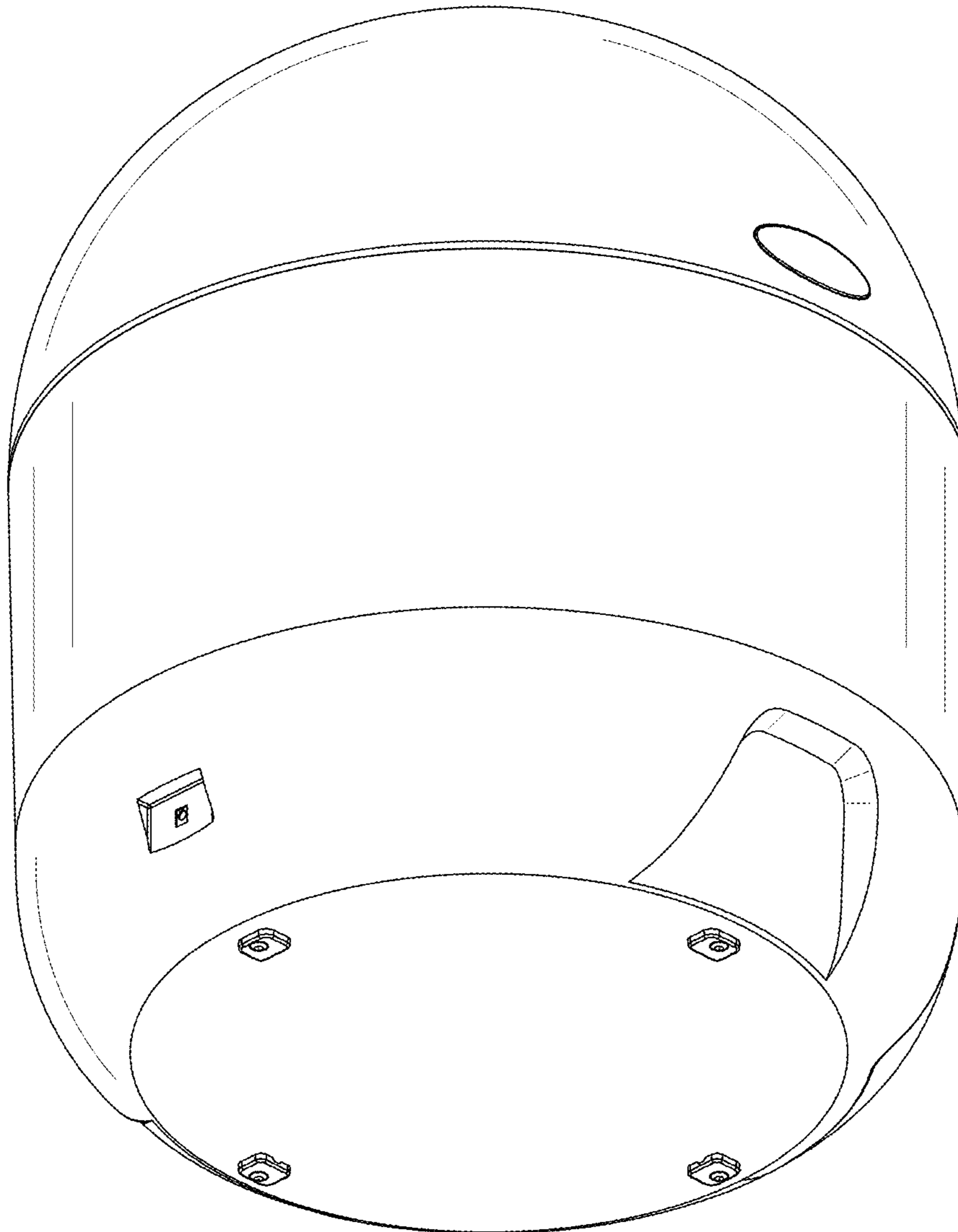


FIG. 2

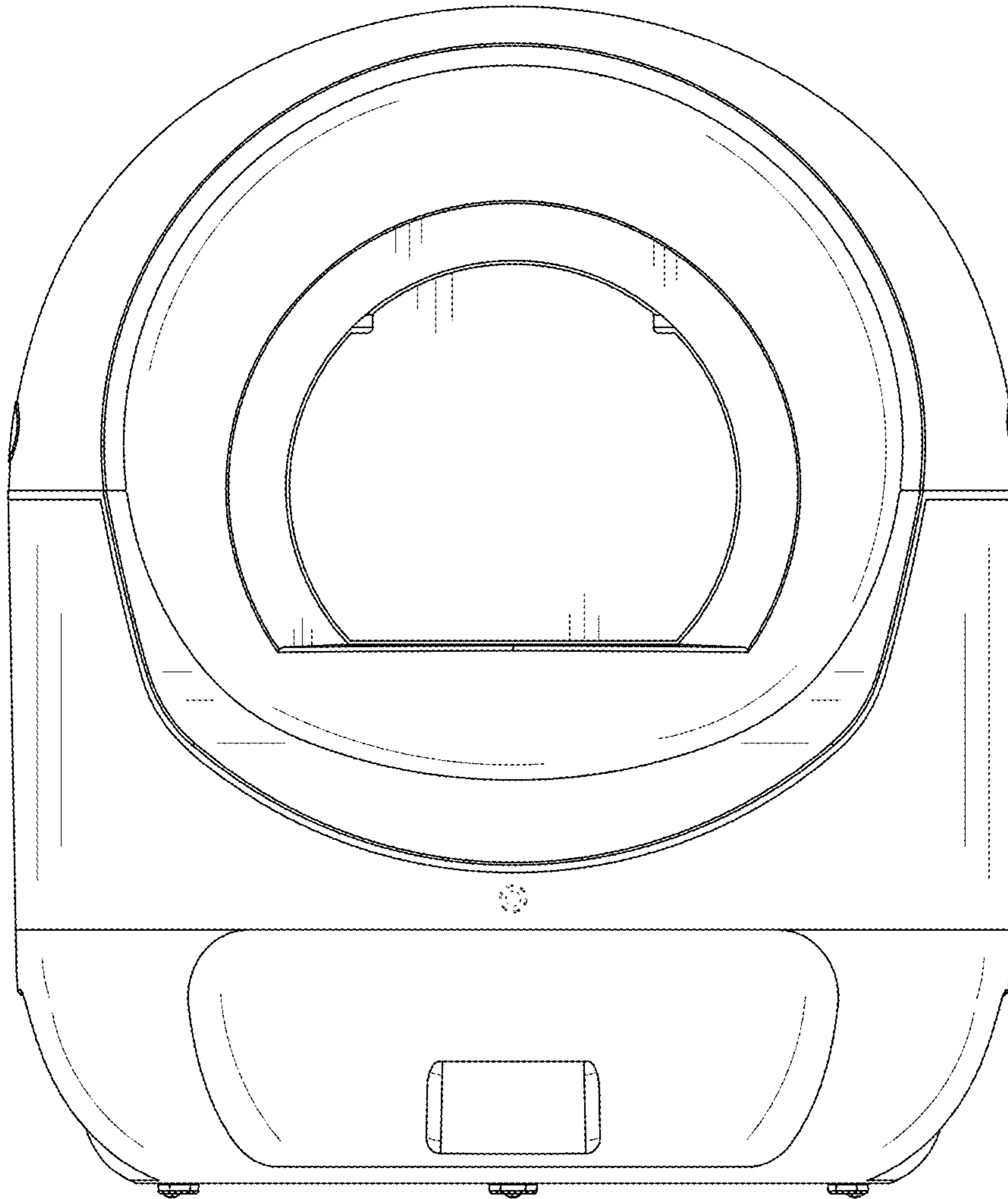


FIG. 3

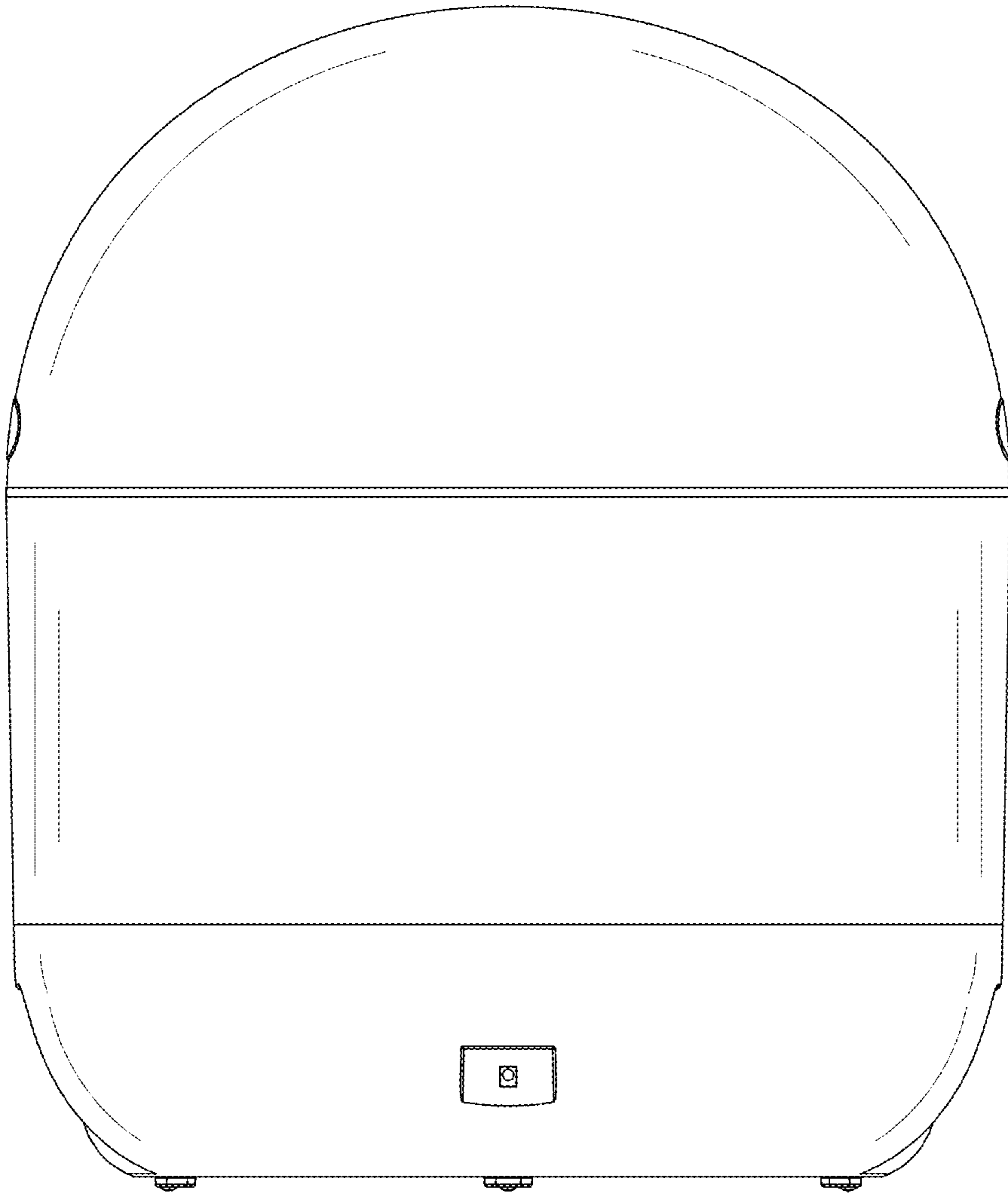


FIG. 4

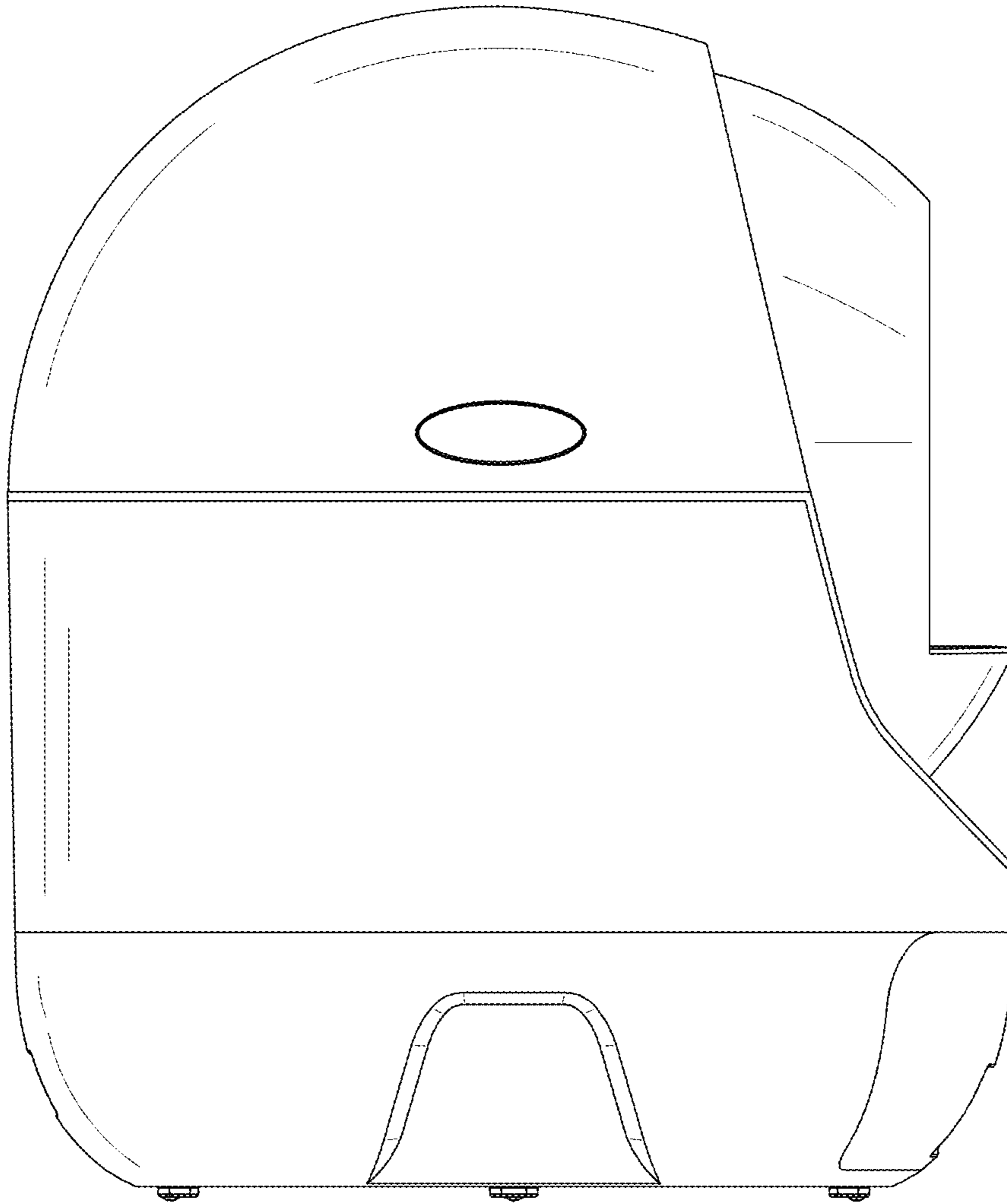


FIG. 5

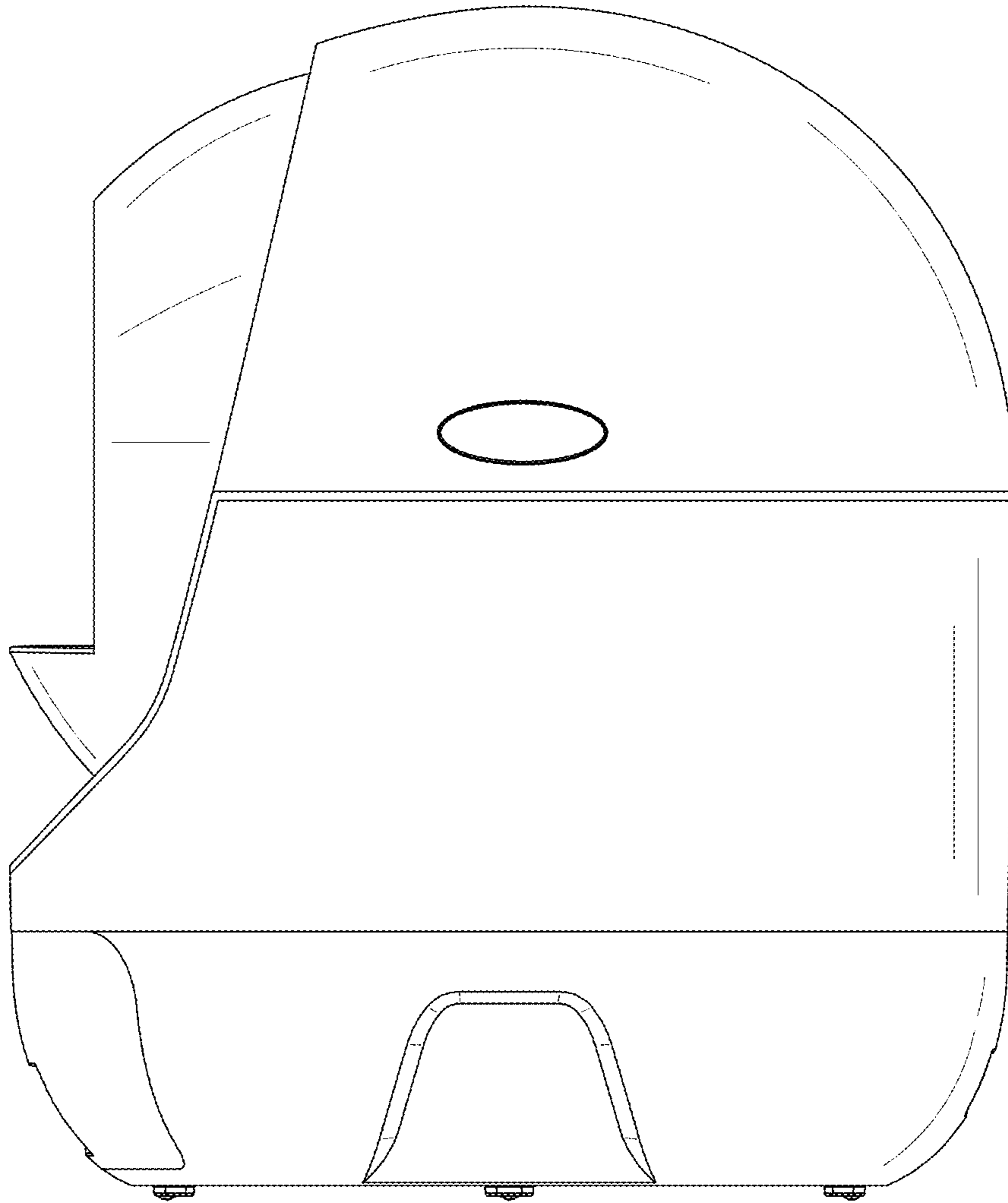


FIG. 6

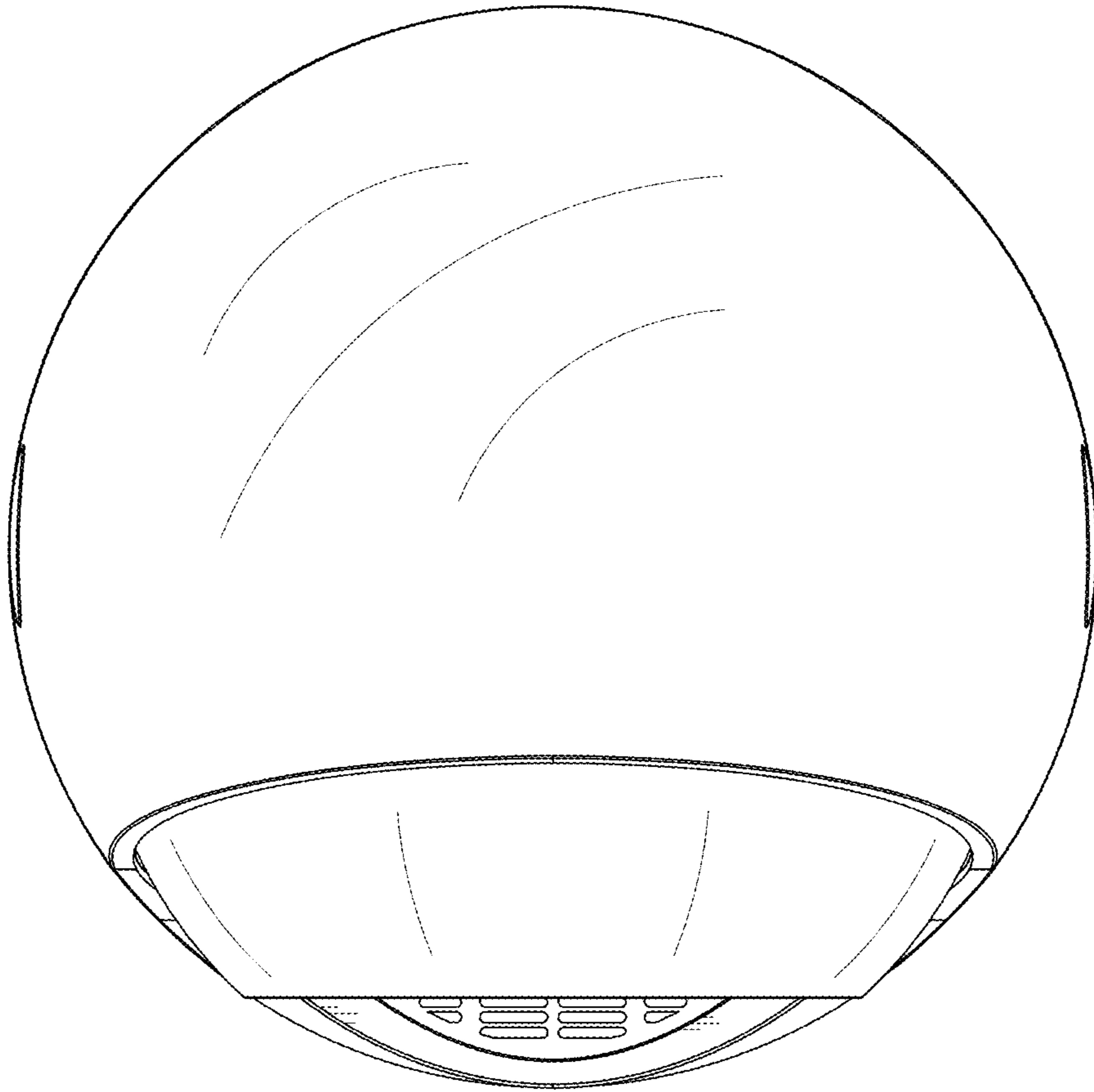


FIG. 7



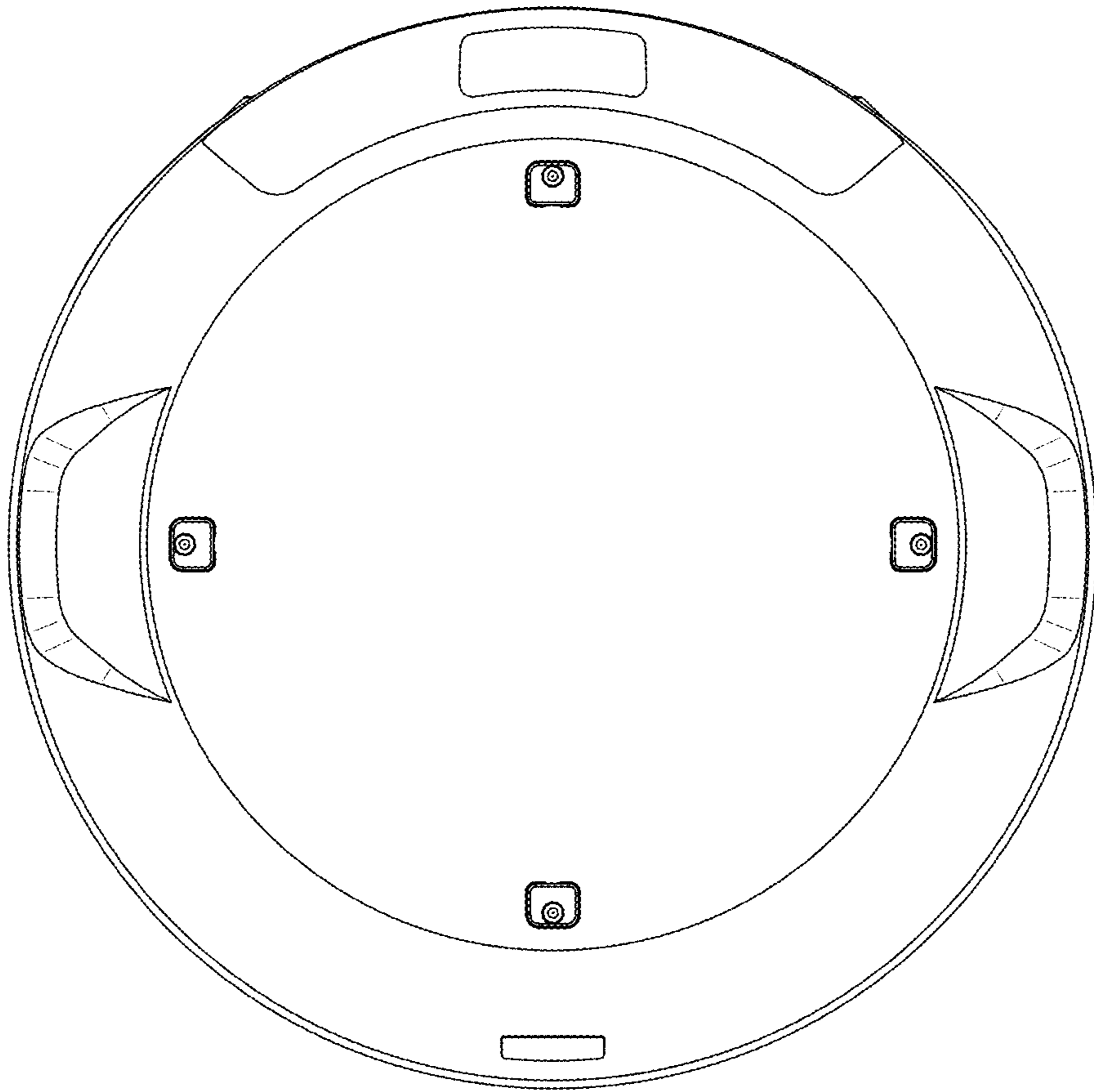


FIG. 8