



US00D923885S

(12) **United States Design Patent** (10) **Patent No.:** **US D923,885 S**  
**Smith** (45) **Date of Patent:** **\*\* Jun. 29, 2021**

(54) **BED FOR ANIMALS**  
(71) Applicant: **DISC-O-BED HOLDINGS LIMITED,**  
Limassol (CY)  
(72) Inventor: **Tyler Smith,** Suwanee, GA (US)  
(\*\*) Term: **15 Years**

D729,986 S \* 5/2015 Drew ..... D30/118  
D734,628 S \* 7/2015 Wang ..... D6/675.5  
D828,963 S \* 9/2018 Hansen ..... D30/118  
2006/0219181 A1\* 10/2006 Pape ..... A01K 1/0353  
119/28.5  
2009/0007331 A1\* 1/2009 Lamstein ..... A01K 1/0353  
5/418  
2013/0276708 A1\* 10/2013 Wolfe, Jr. .... A01K 15/02  
119/28.5

(21) Appl. No.: **35/509,411**  
(22) Filed: **Mar. 6, 2020**

(80) **Hague Agreement Data**

Int. Filing Date: **Mar. 6, 2020**  
Int. Reg. No.: **DM/208059**  
Int. Reg. Date: **Mar. 6, 2020**  
Int. Reg. Pub. Date: **May 22, 2020**

(51) **LOC (13) Cl.** ..... **30-06**  
(52) **U.S. Cl.**  
USPC ..... **D30/118**  
(58) **Field of Classification Search**  
USPC ..... D30/108, 118, 119; D6/382, 675.5,  
D6/715.2, 718.1, 718.11, 718.12; D3/304  
CPC ..... A01K 1/0353  
See application file for complete search history.

(56) **References Cited**

U.S. PATENT DOCUMENTS

4,646,770 A \* 3/1987 Lobato ..... E04H 15/003  
D30/118  
4,821,353 A \* 4/1989 Neri ..... A47G 9/062  
135/116  
5,960,739 A \* 10/1999 Storm ..... A01K 1/0353  
119/28.5  
D429,923 S \* 8/2000 Meglino ..... D6/715.2  
D431,695 S \* 10/2000 Burt ..... A01K 1/0353  
D30/118  
6,435,133 B1 \* 8/2002 Wayne, Jr. .... A01K 1/0353  
119/28.5  
D720,504 S \* 12/2014 Hawk ..... D30/118

OTHER PUBLICATIONS

“Disc-O-Bed: Dog-Bed”. Found online Jan. 22, 2021 at facebook.com. Reference dated Sep. 13, 2020. Retrieved from <https://www.facebook.com/discobedworldwide/photos/a.144695049058630/1465569683637820>.\*

“Coolaroo: The Original Elevated Pet Bed”. Found online Jan. 22, 2021 at amazon.com. Reference dated Oct. 9, 2008. Retrieved from [https://www.amazon.com/Gale-Pacific-Coolaroo-Elevated-Terracotta/dp/B001HX4280/ref=sr\\_1\\_12?](https://www.amazon.com/Gale-Pacific-Coolaroo-Elevated-Terracotta/dp/B001HX4280/ref=sr_1_12?).\*

(Continued)

Primary Examiner — Kendra Leslie Hamilton

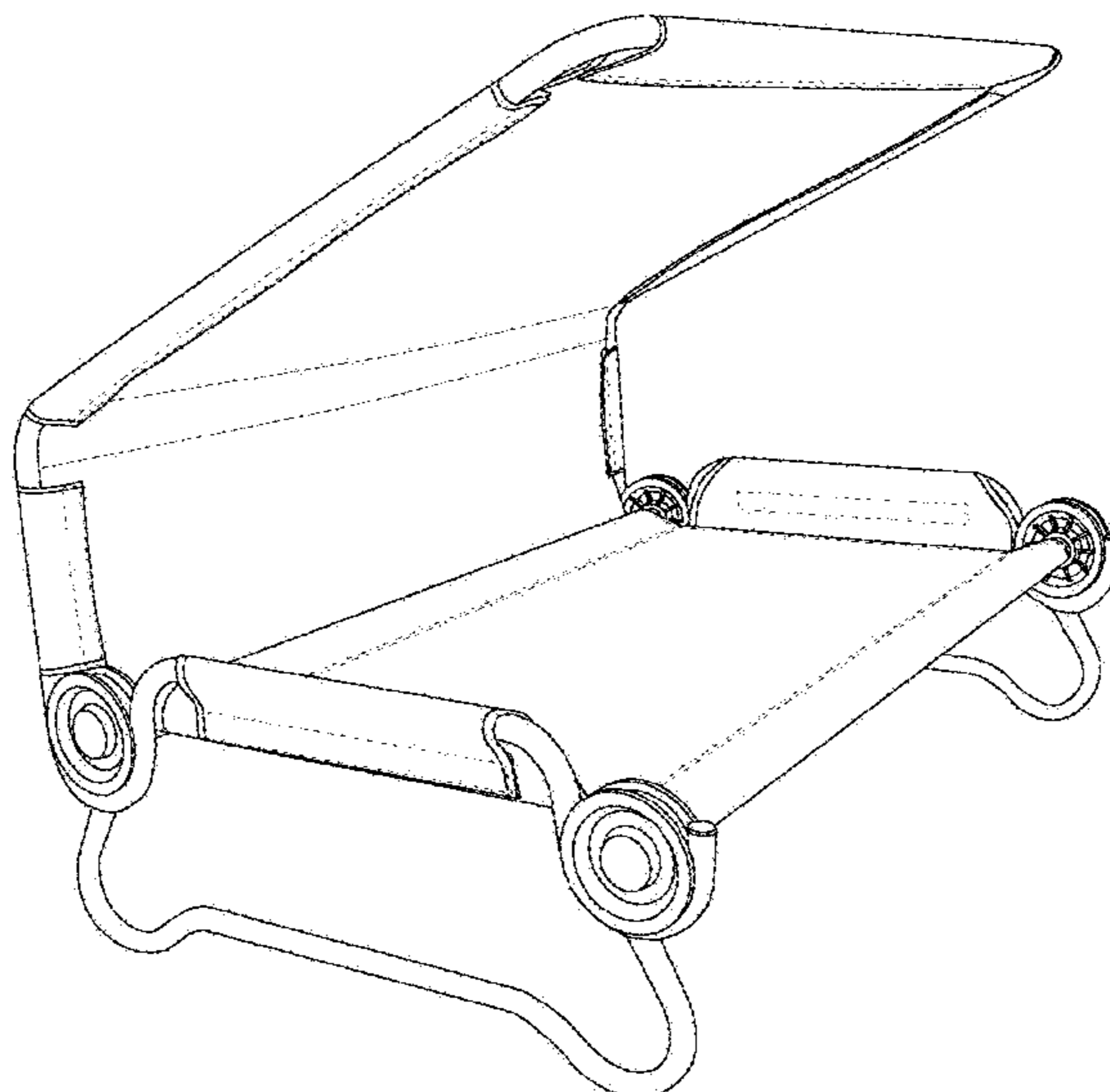
(57) **CLAIM**

The ornamental design for a bed for animals, as shown and described.

**DESCRIPTION**

FIG. 1.1 is a top, front, right side perspective view of a bed for animals, showing my new design;  
FIG. 1.2 is a front elevation view thereof;  
FIG. 1.3 is a right side elevation view thereof;  
FIG. 1.4 is rear elevation view thereof;  
FIG. 1.5 is left side elevation view thereof;  
FIG. 1.6 is a top plan view thereof; and  
FIG. 1.7 is a bottom view thereof.  
The broken lines showing on the animal bed in FIGS. 1.1-1.7 depict stitching and form no part of the claimed design.

**1 Claim, 7 Drawing Sheets**



(56)

**References Cited**

OTHER PUBLICATIONS

“Design Watch: Design Registration for Glaeser Pet Bed (No. 1666064)”. Found online Jan. 22, 2021 at [chizai-watch.com](https://chizai-watch.com). Reference dated Aug. 17, 2020. Retrieved from <https://chizai-watch.com/d/1666064>.\*

“Home and Garden: Cat Habitats”. Found online Apr. 10, 2017 at [home-and-garden.livejournal.com](http://home-and-garden.livejournal.com). Reference dated Dec. 10, 2016. Retrieved from <http://home-and-garden.livejournal.com/742349.html>.\*

\* cited by examiner

Figure 1.1

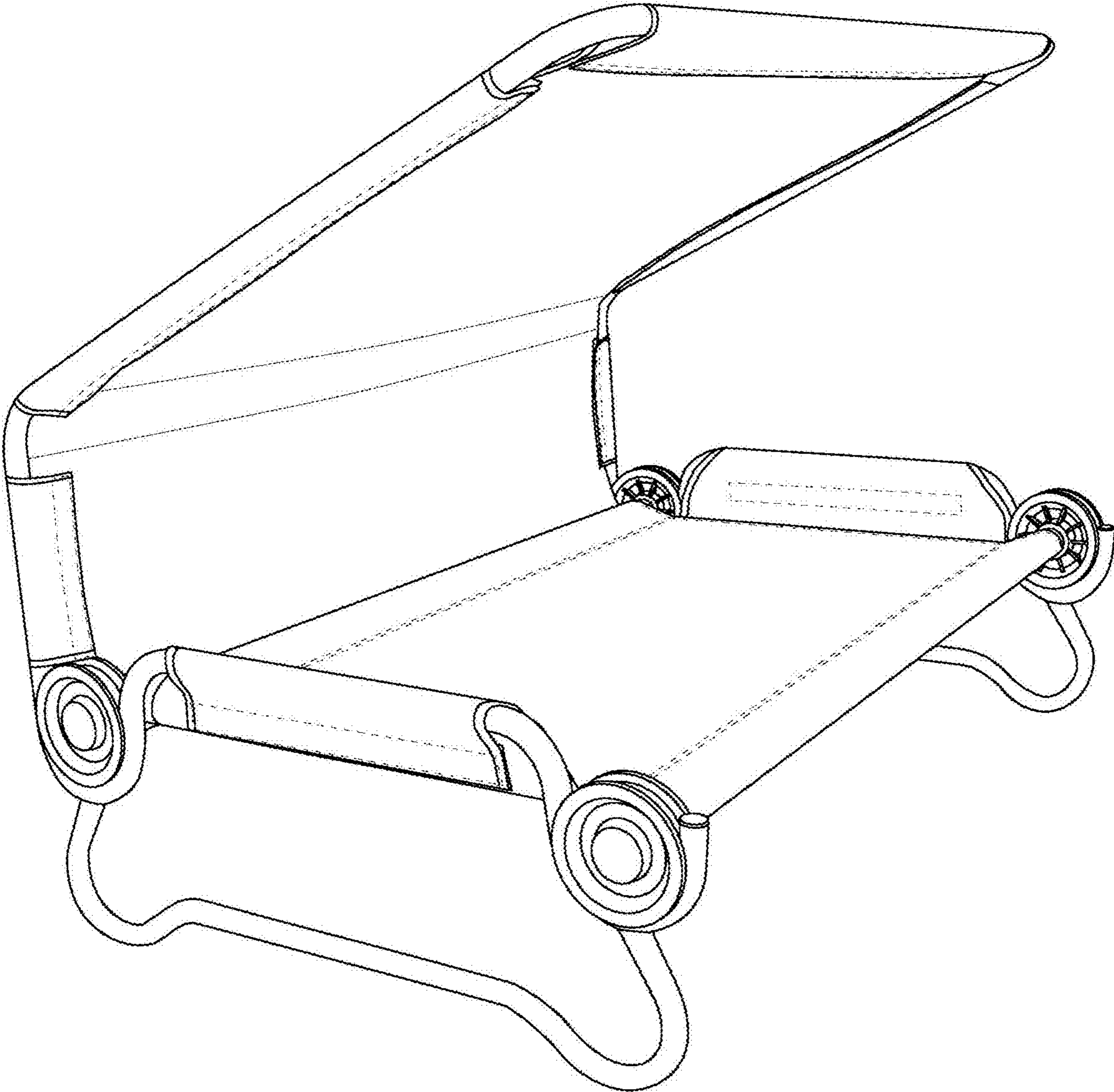


Figure 1.2

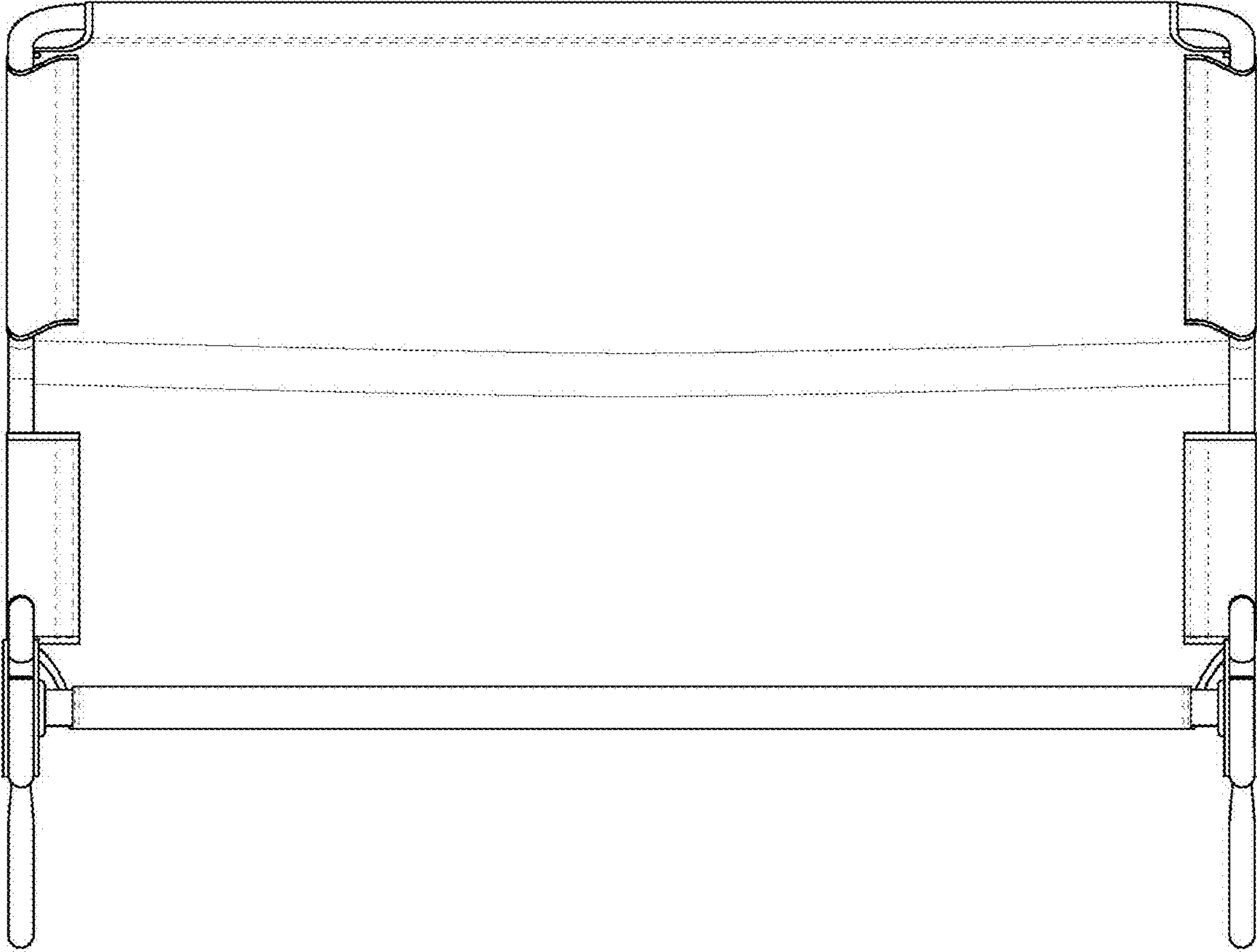


Figure 1.3

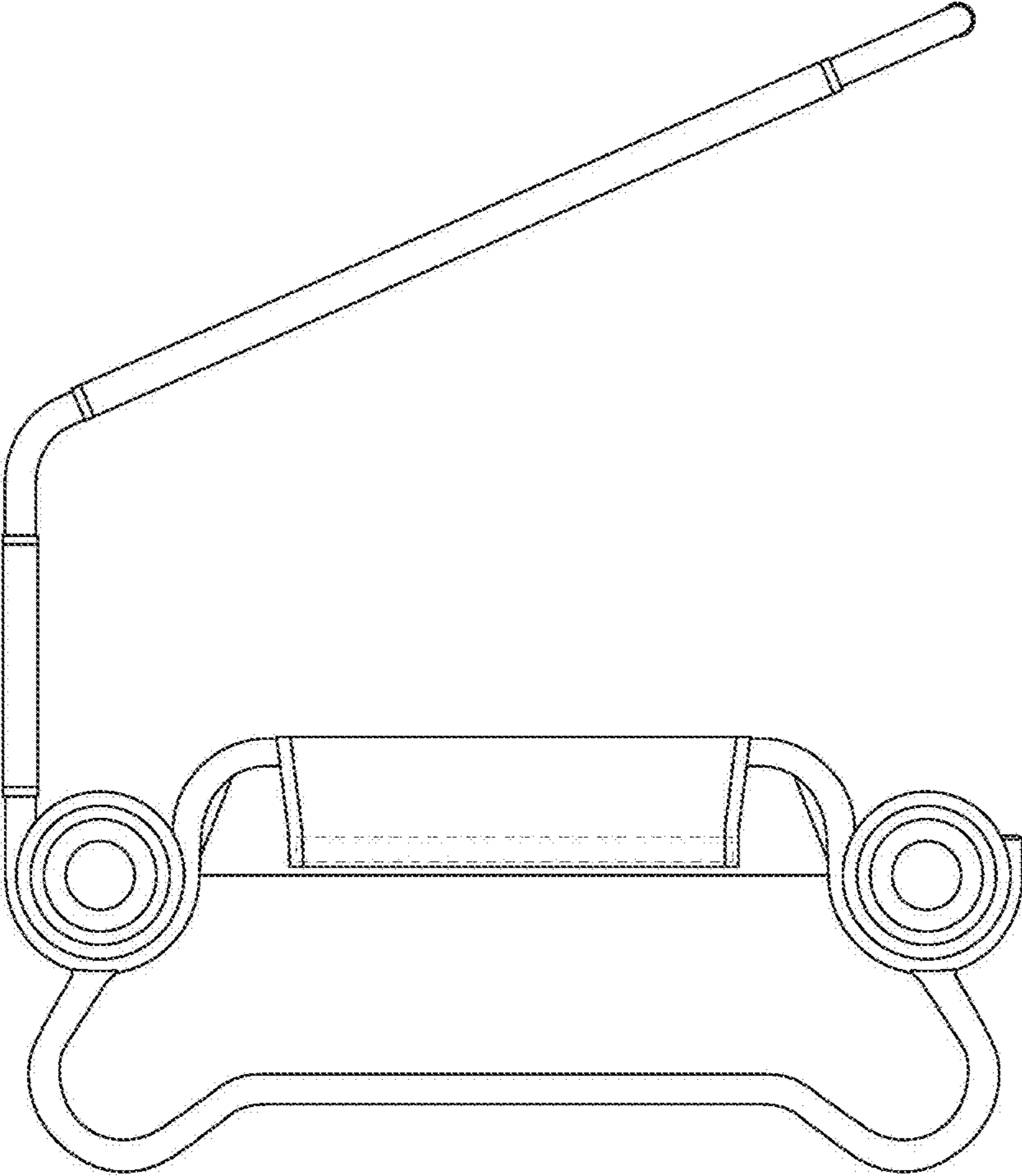


Figure 1.4

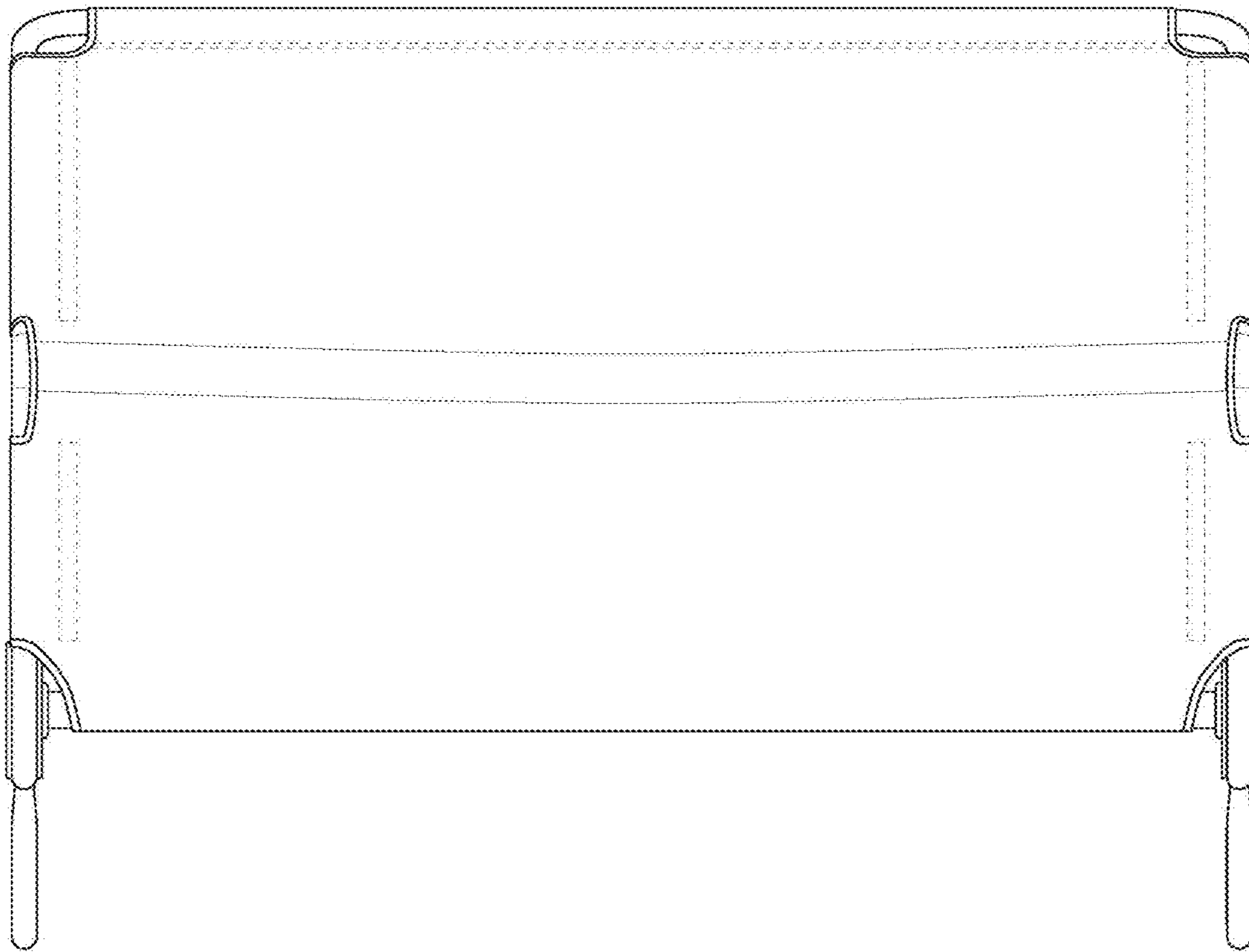


Figure 1.5

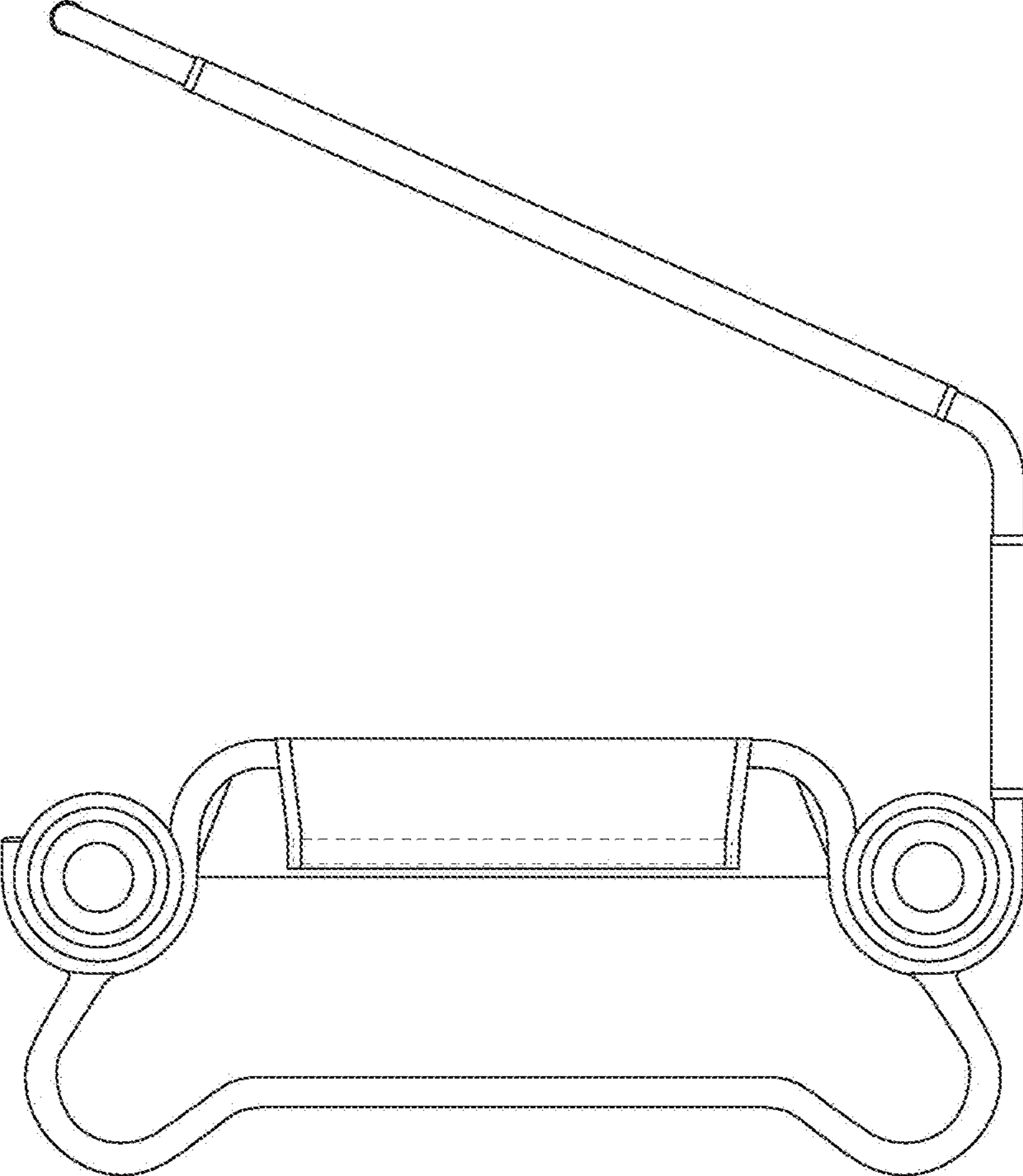


Figure 1.6





Figure 1.7

