



US00D923882S

(12) **United States Design Patent**
Choi

(10) **Patent No.:** **US D923,882 S**
(45) **Date of Patent:** **** Jun. 29, 2021**

(54) **FIRE EXTINGUISHER HOLDER**
(71) Applicants: **KOREA GYEONGGIDO. CO., LTD.**,
Seongnam-si (KR); **GyeongGi-Do**,
Suwon-si (KR)
(72) Inventor: **Yong Woo Choi**, Seoul (KR)
(73) Assignees: **KOREA GYEONGGIDO. CO., LTD.**,
Seongnam-si (KR); **GYEONGGI-DO**,
Suwon-si (KR)
(**) Term: **15 Years**
(21) Appl. No.: **29/678,029**
(22) Filed: **Jan. 25, 2019**

(30) **Foreign Application Priority Data**
Nov. 6, 2018 (KR) 30-2018-0050987
(51) **LOC (13) Cl.** **29-01**
(52) **U.S. Cl.**
USPC **D29/130**
(58) **Field of Classification Search**
USPC D29/125, 126, 129, 130
CPC .. A62C 2/00; A62C 8/00; A62C 13/64; A62C
13/76; A62C 13/78; A62C 11/00; A62C
13/00; A62C 25/00
See application file for complete search history.

(56) **References Cited**
U.S. PATENT DOCUMENTS
3,316,040 A * 4/1967 McGann A47K 10/22
312/45
3,780,972 A * 12/1973 Brodersen A62C 13/78
248/313
4,213,592 A * 7/1980 Lingenfelter A62C 13/78
248/313

4,540,370 A * 9/1985 Hebert B63C 7/26
441/23
5,076,193 A * 12/1991 Keim B63B 17/00
114/343
5,344,112 A * 9/1994 Peterson B60H 1/3229
24/279
5,409,833 A * 4/1995 Hu A61F 2/062
422/421
6,059,245 A * 5/2000 Hermansen B62J 11/00
248/311.2
6,889,947 B2 * 5/2005 Alberts A62C 13/78
248/230.1
7,650,948 B2 * 1/2010 Rousseau A62C 13/70
169/51
D747,177 S * 1/2016 McGinty D8/349
D823,548 S * 7/2018 Seymour D29/125
2020/0330806 A1 * 10/2020 Choi A62C 13/78

* cited by examiner

Primary Examiner — Kimberly Barnes
(74) *Attorney, Agent, or Firm* — Cantor Colburn LLP

(57) **CLAIM**

The ornamental design for a fire extinguisher holder, as shown and described.

DESCRIPTION

FIG. 1 is a perspective view of a fire extinguisher holder showing our new design;
FIG. 2 is a front elevational view thereof;
FIG. 3 is a rear elevational view thereof;
FIG. 4 is a left side elevational view thereof;
FIG. 5 is a right side elevational view thereof;
FIG. 6 is a top plan view thereof;
FIG. 7 is a bottom plan view thereof;
FIG. 8 is a bottom left side perspective view thereof; and,
FIG. 9 is a bottom rear side perspective view thereof.

1 Claim, 8 Drawing Sheets

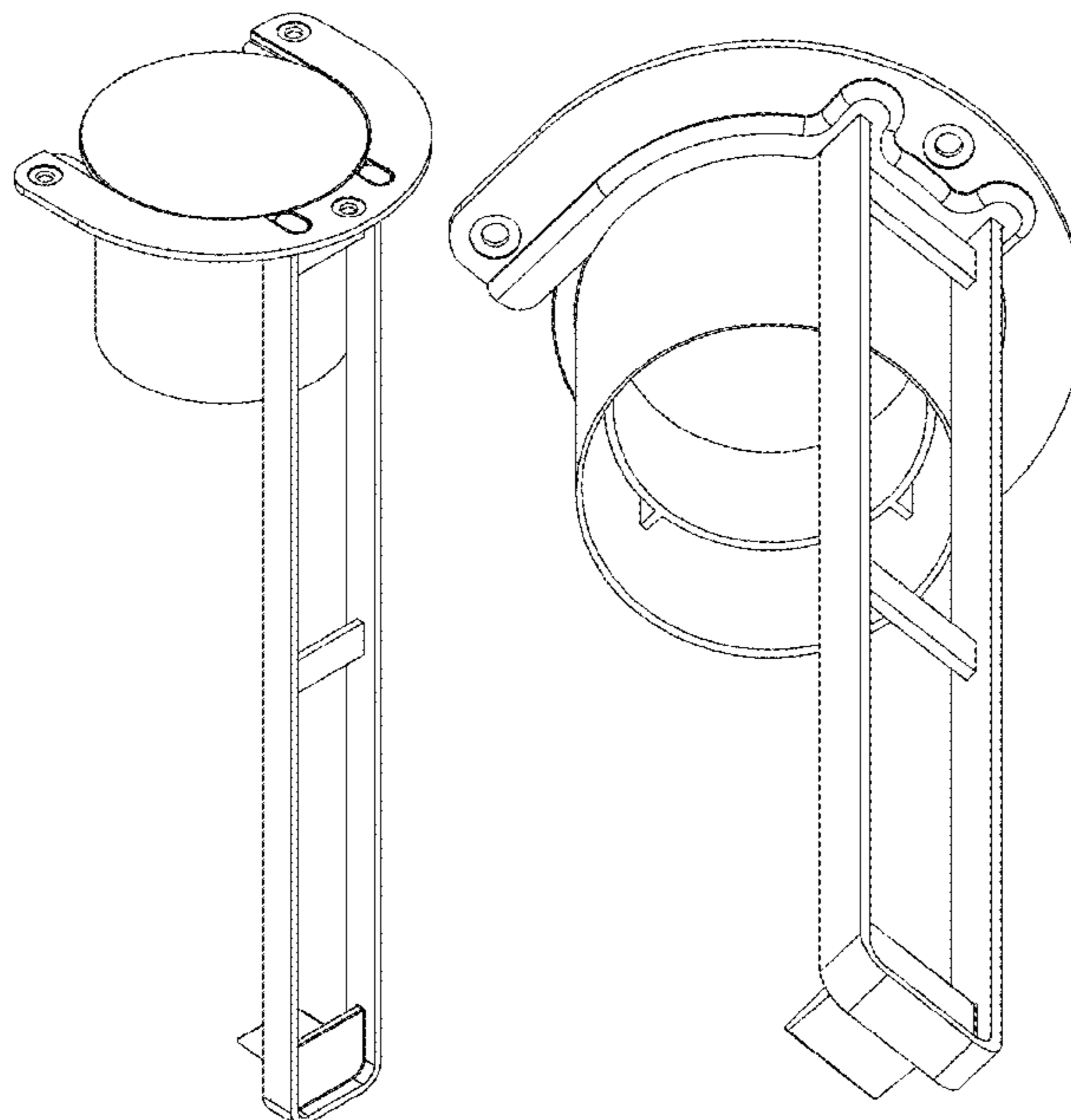


FIG. 1

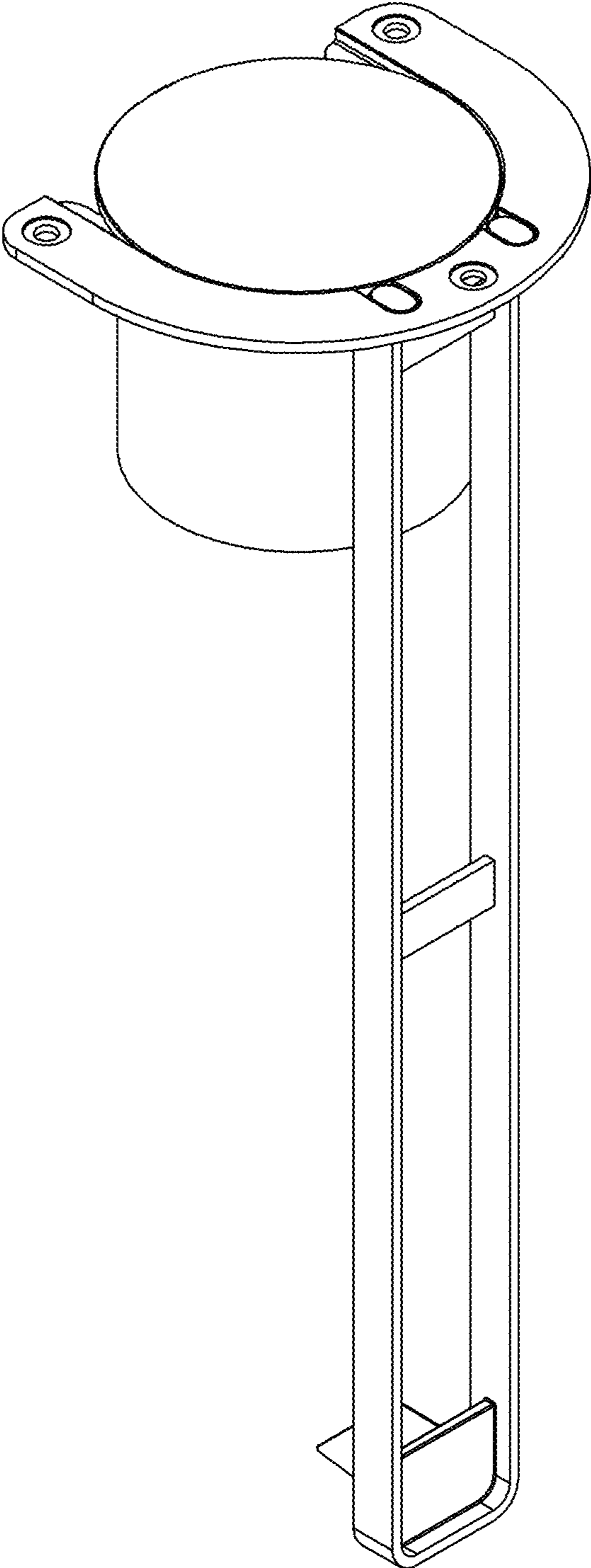


FIG. 2

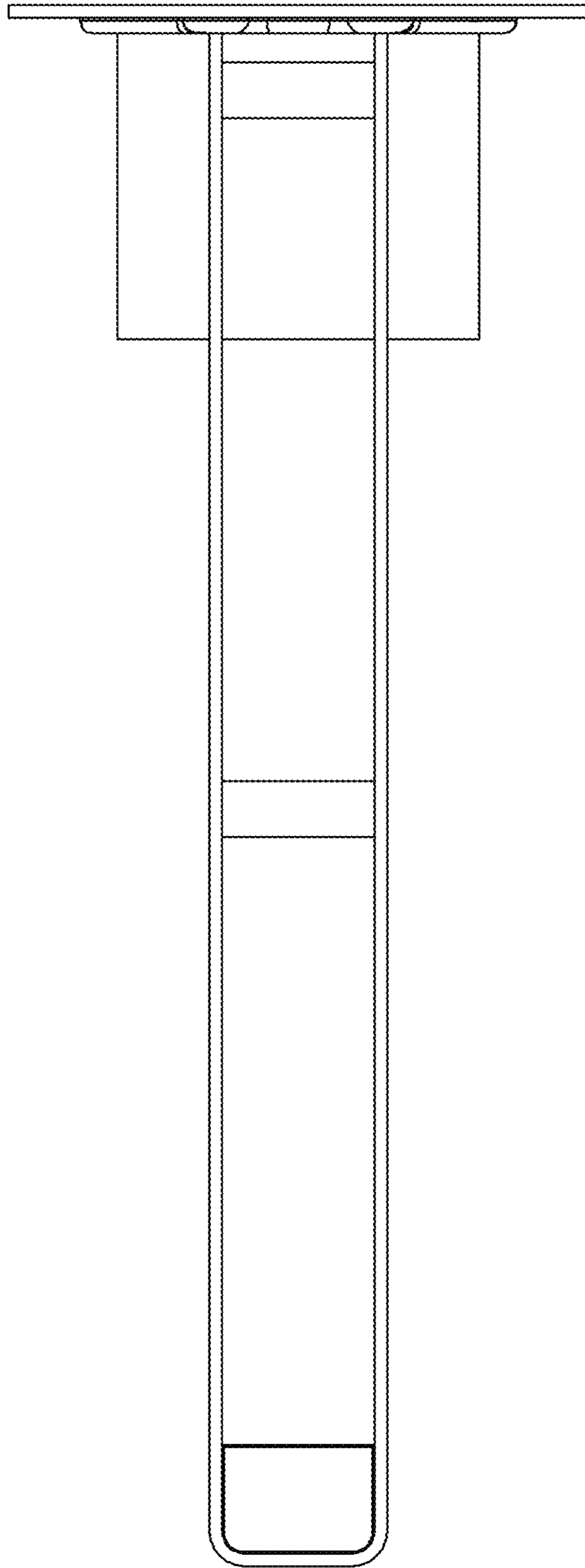


FIG. 3

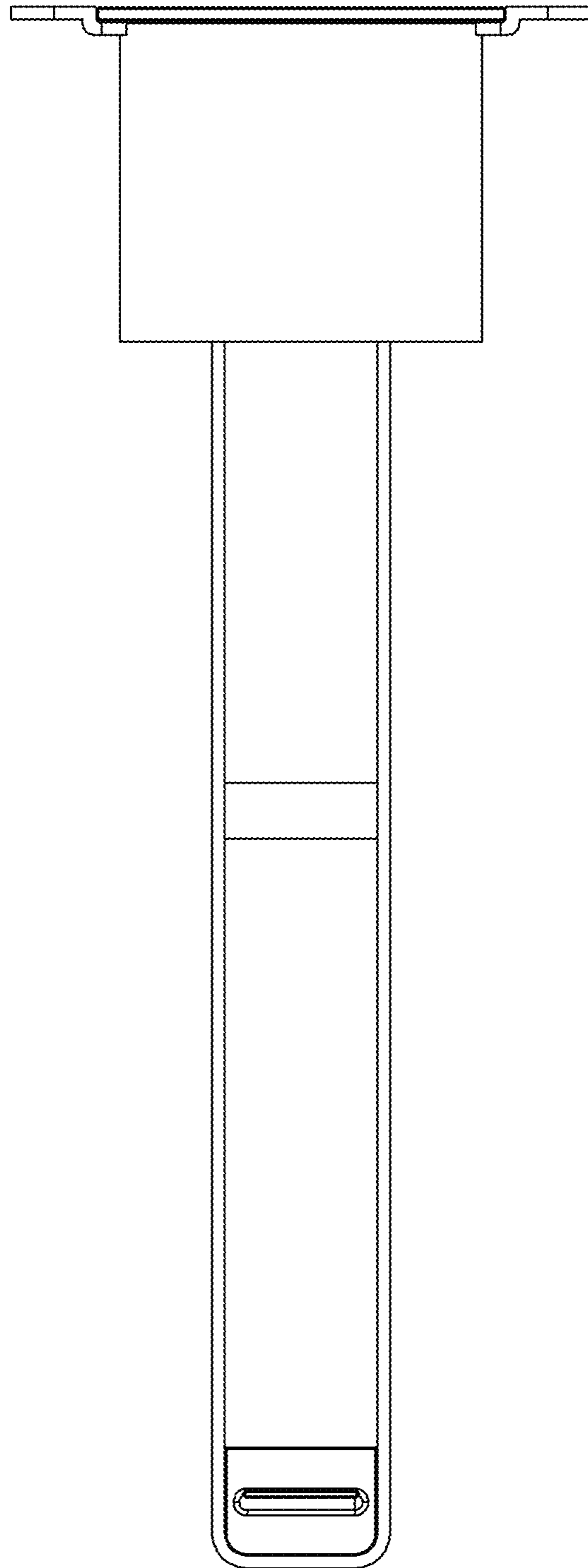


FIG. 4

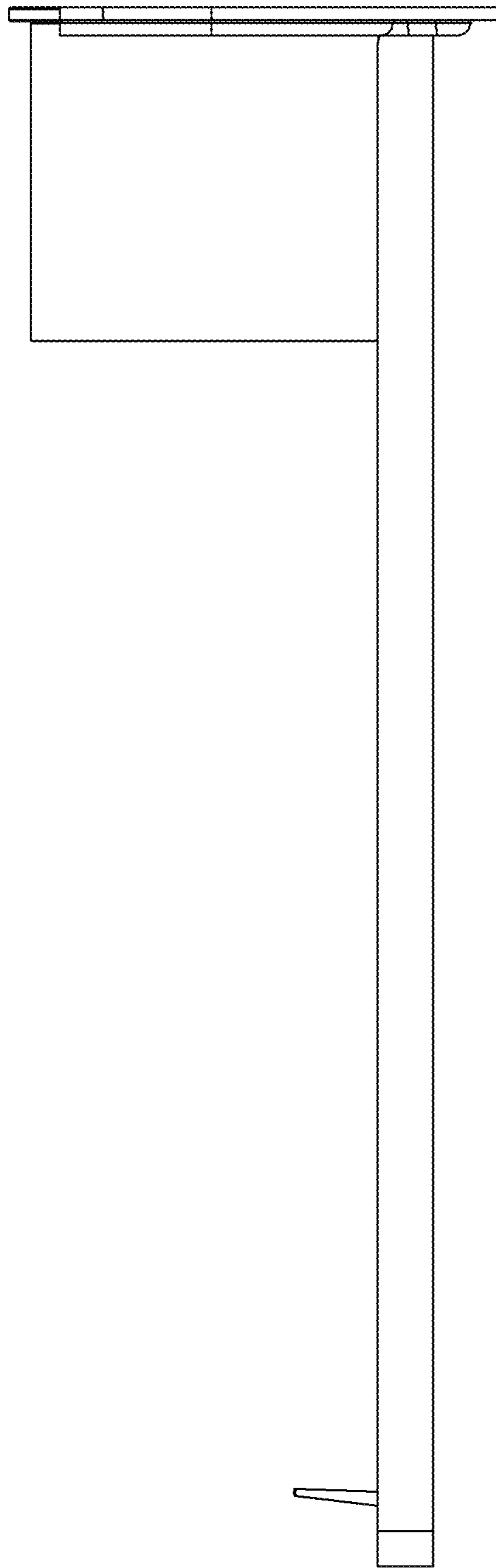


FIG. 5

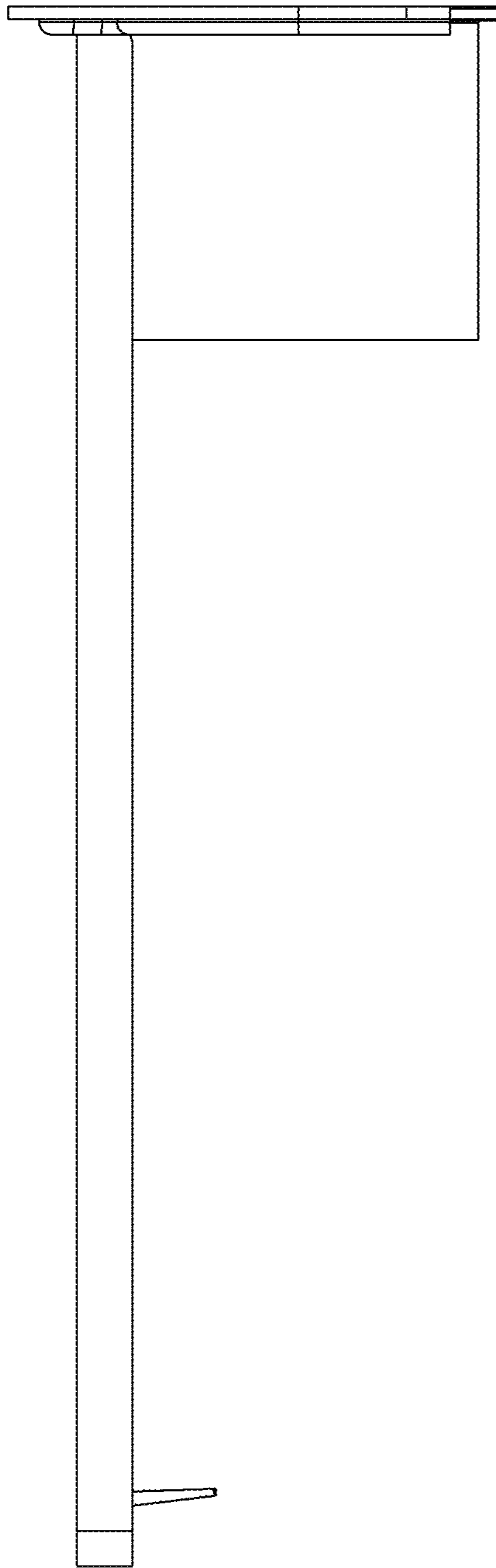


FIG. 6

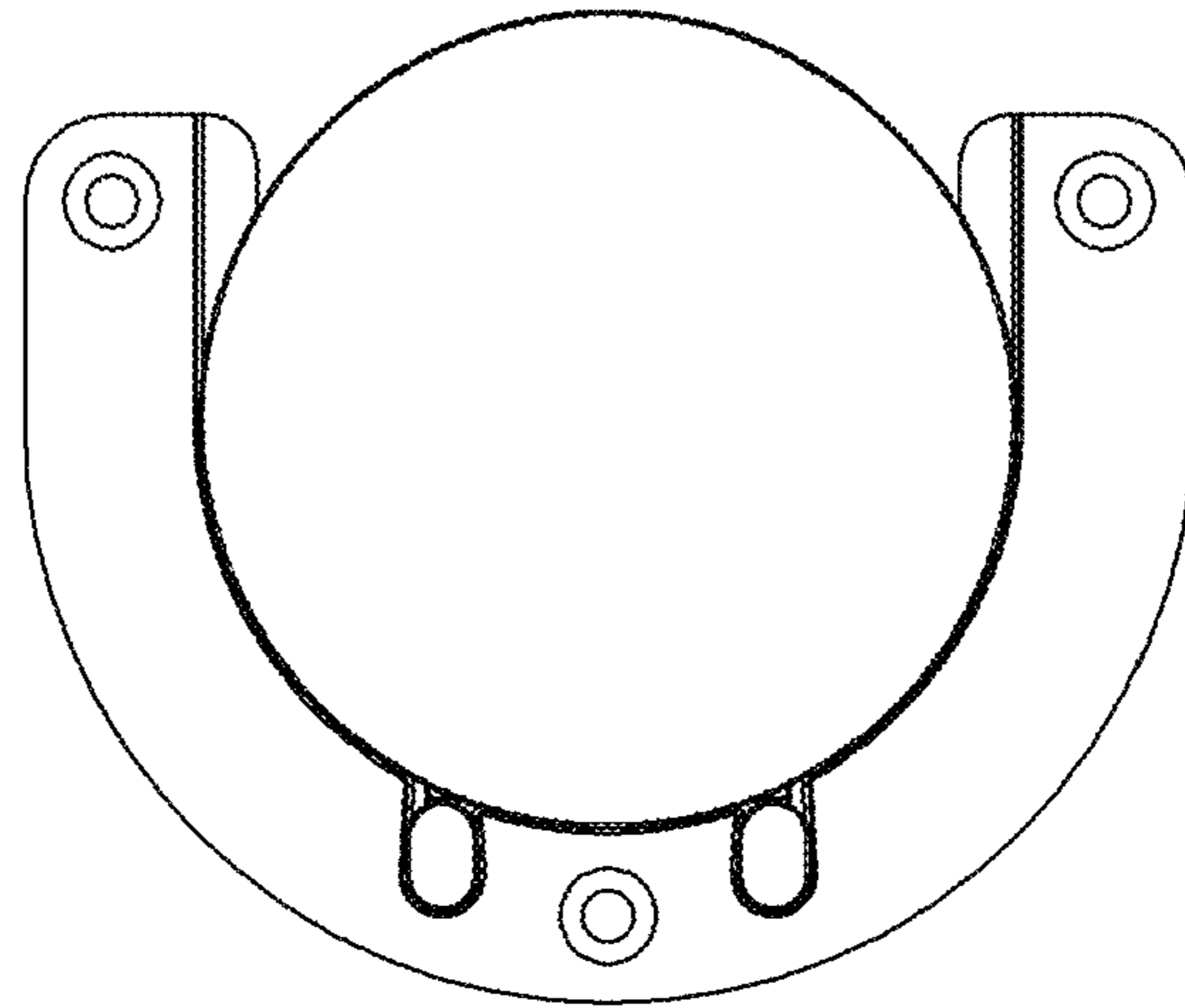


FIG. 7

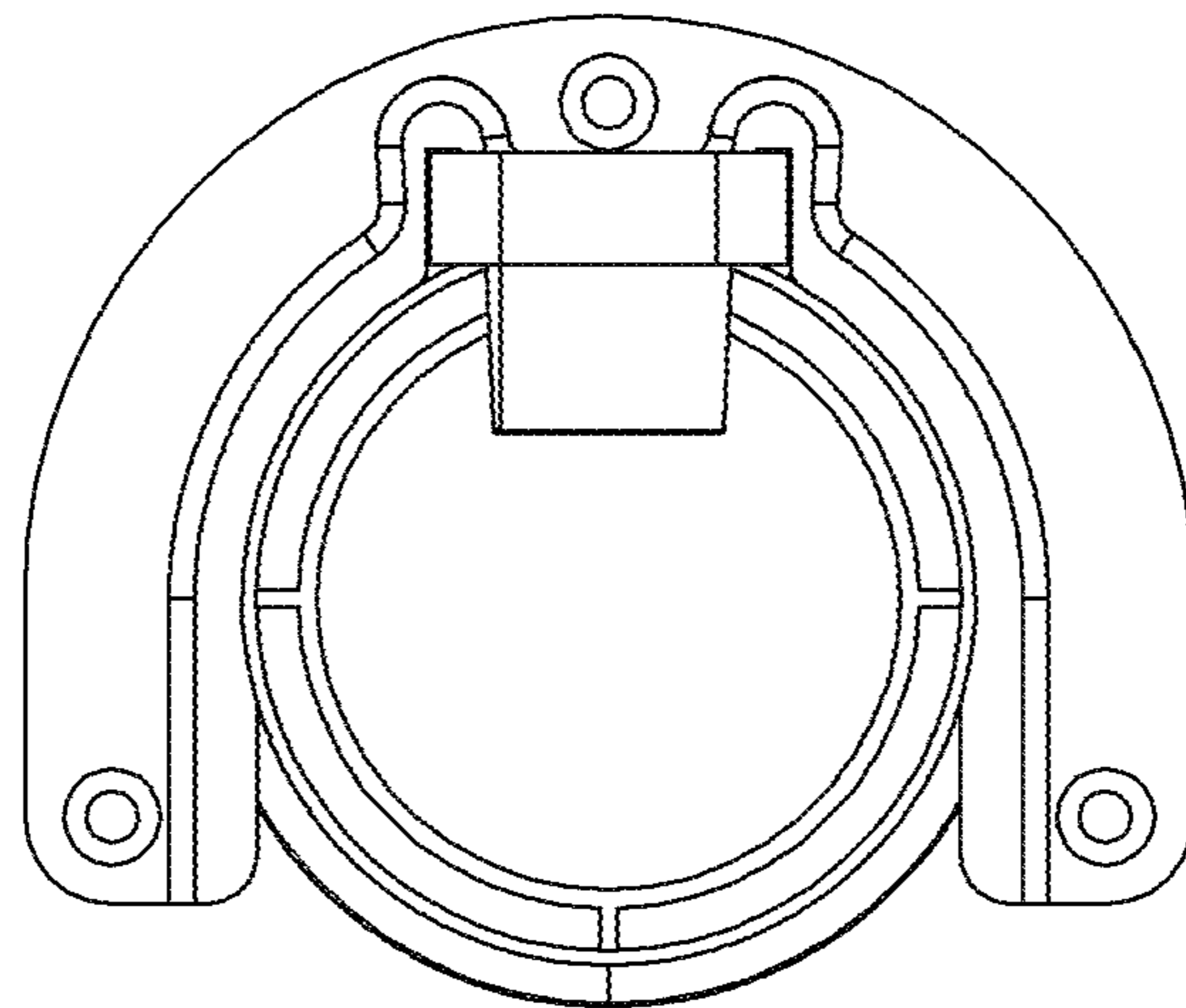


FIG. 8

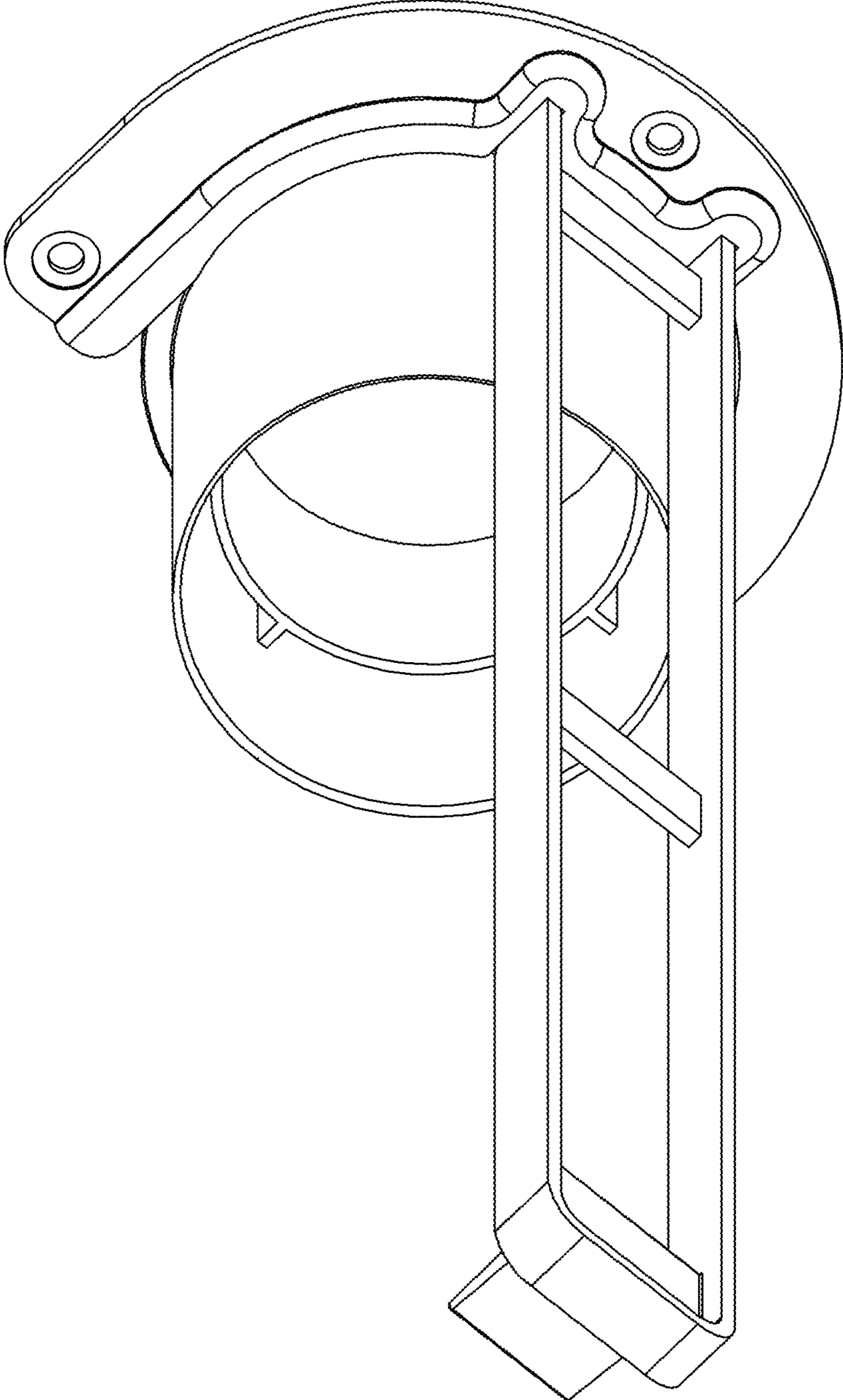


FIG. 9

