



US00D923878S

(12) **United States Design Patent** (10) **Patent No.:** **US D923,878 S**
Mitha (45) **Date of Patent:** **** Jun. 29, 2021**

(54) **LIPSTICK SHEATH WITH TOP**
(71) Applicant: **J. Choo Limited**, London (GB)
(72) Inventor: **Alnoor Mitha**, Paris (FR)
(73) Assignee: **J. Choo Limited**, London (GB)

D446,355 S * 8/2001 Weinstock D28/76
D559,106 S * 1/2008 Giumarra D9/500
9,022,042 B1 * 5/2015 Fichtl A45D 40/24
132/218
D793,864 S * 8/2017 O'Donahue D9/558
D876,102 S * 2/2020 Eng D4/138
D880,872 S * 4/2020 Burditt D4/138
D906,115 S * 12/2020 Louis D9/503

(**) Term: **15 Years**

OTHER PUBLICATIONS

(21) Appl. No.: **29/699,342**
(22) Filed: **Jul. 24, 2019**

Jimmy Choo launches first cosmetics collection—The Glass Magazine, published Mar. 9, 2020, retrieved on Feb. 4, 2021, retrieved from the Internet URL: <https://www.theglassmagazine.com/jimmy-choo-launches-first-cosmetics-collection/>.
Shoe, printed from zappos.com on Dec. 6, 2004.

(30) **Foreign Application Priority Data**

Feb. 18, 2019 (EM) 006260527-0001
Feb. 18, 2019 (EM) 006260527-0002

* cited by examiner

(51) **LOC (13) Cl.** **28-03**
(52) **U.S. Cl.**
USPC **D28/85**

Primary Examiner — Jennifer Rivard
Assistant Examiner — Alison M Ofstun
(74) *Attorney, Agent, or Firm* — Fross Zelnick Lehrman & Zissu, P.C.; Lawrence E. Apolzon, Esq.

(58) **Field of Classification Search**
USPC D28/73, 76, 85–90, 91.1, 99; D9/503,
D9/529, 556, 682, 686, 687, 689, 693,
D9/694, 727, 745
CPC A45D 34/00; A45D 34/04; A45D 34/06;
A45D 34/041; A45D 40/00; A45D 40/02;
A45D 40/06; A45D 40/18; A45D 40/262
See application file for complete search history.

(57) **CLAIM**

The ornamental design for a lipstick sheath with top, as shown and described.

DESCRIPTION

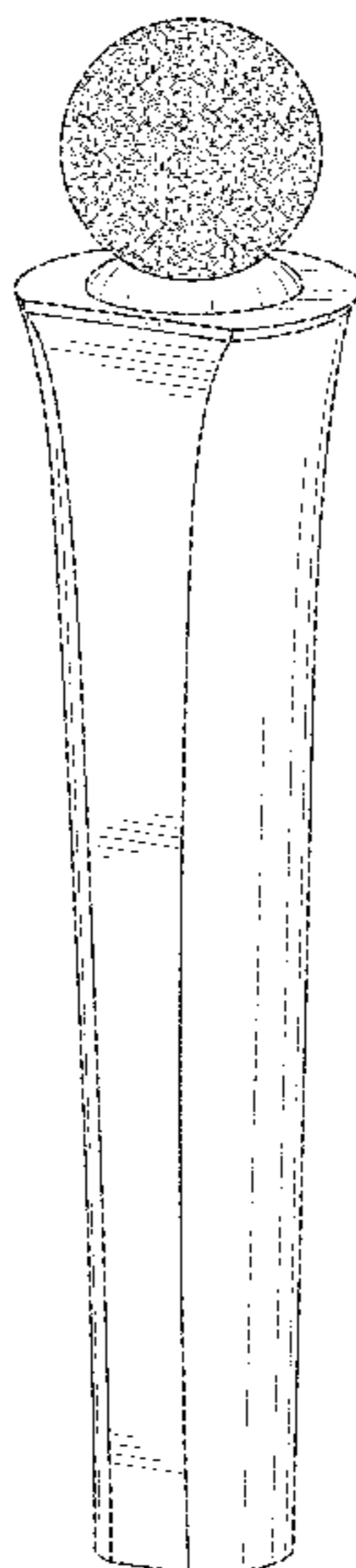
(56) **References Cited**

U.S. PATENT DOCUMENTS

D99,572 S * 5/1936 Ganz D9/505
D103,693 S * 3/1937 Samstag D28/89
D136,501 S * 10/1943 Habif D9/503
D152,547 S * 2/1949 Lang D28/77
3,317,036 A * 5/1967 Cherba A45D 40/06
401/78
D307,545 S * 5/1990 Hibbert D9/503
D325,698 S * 4/1992 Cavazza D9/544
D398,242 S * 9/1998 Fling D9/545
D417,932 S * 12/1999 Siegel D28/7

FIG. 1 is a front perspective view of a lipstick sheath with top showing my new design;
FIG. 2 is a front view thereof;
FIG. 3 is a back view thereof;
FIG. 4 is a left side view thereof;
FIG. 5 is a right side view thereof;
FIG. 6 is a top view thereof;
FIG. 7 is a bottom view thereof; and,
FIG. 8 is an exploded perspective view thereof.
In the drawings, the broken lines illustrate portions of the article which form no part of the claimed design.

1 Claim, 5 Drawing Sheets



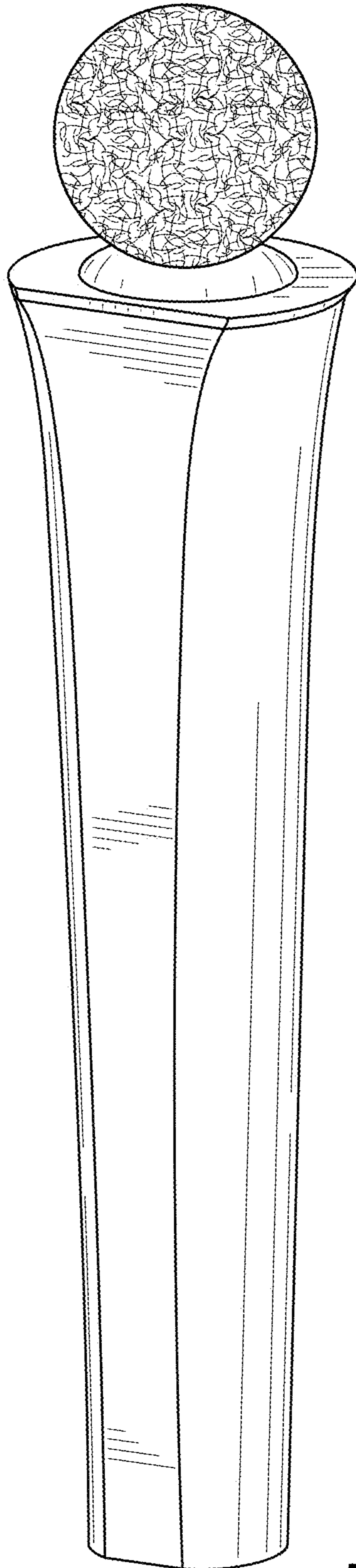


FIG. 1

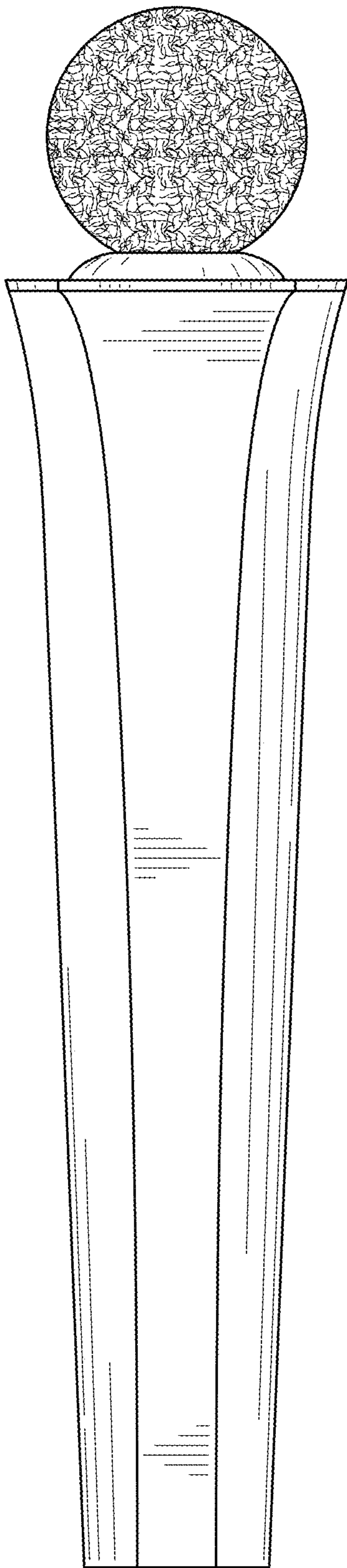


FIG. 2

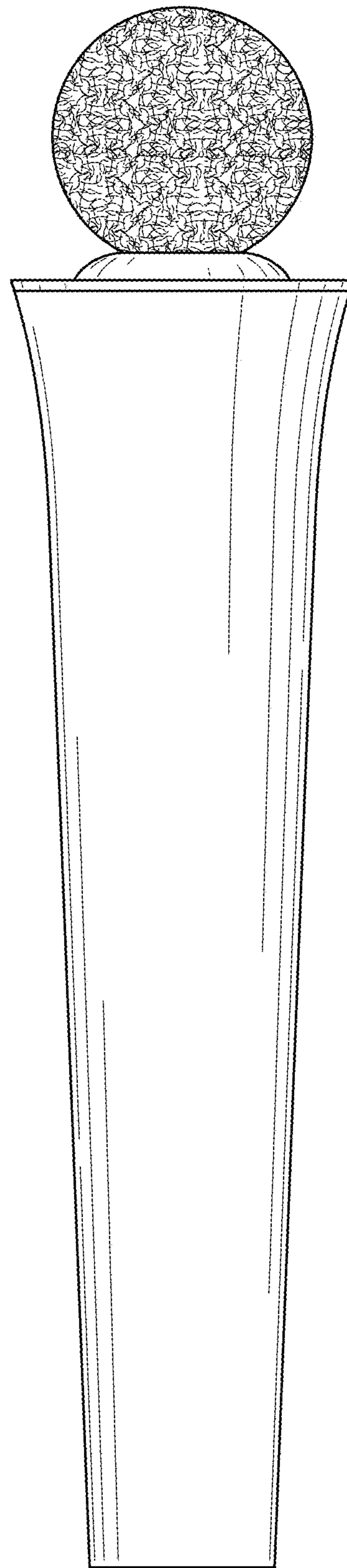


FIG. 3

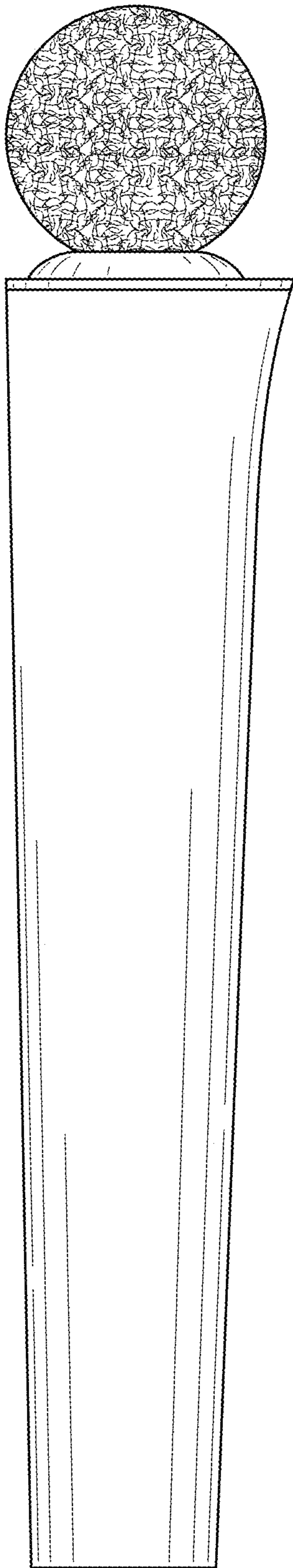


FIG. 4

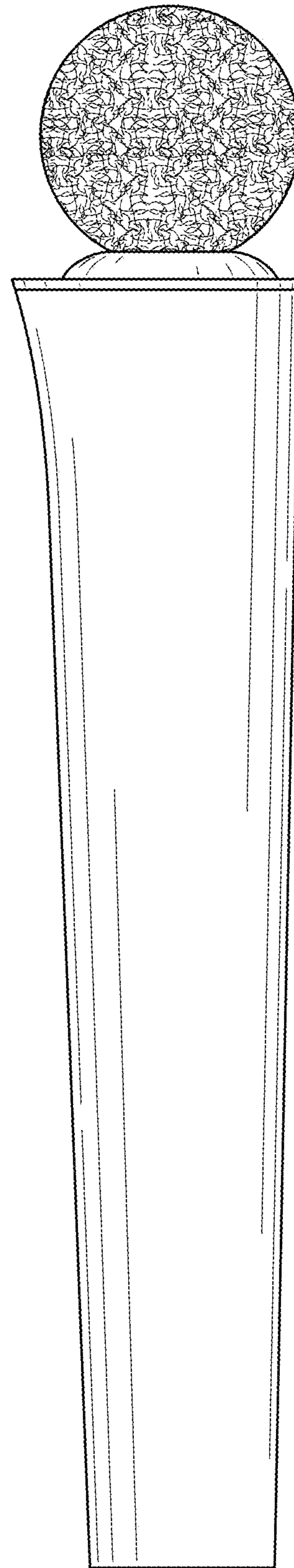


FIG. 5

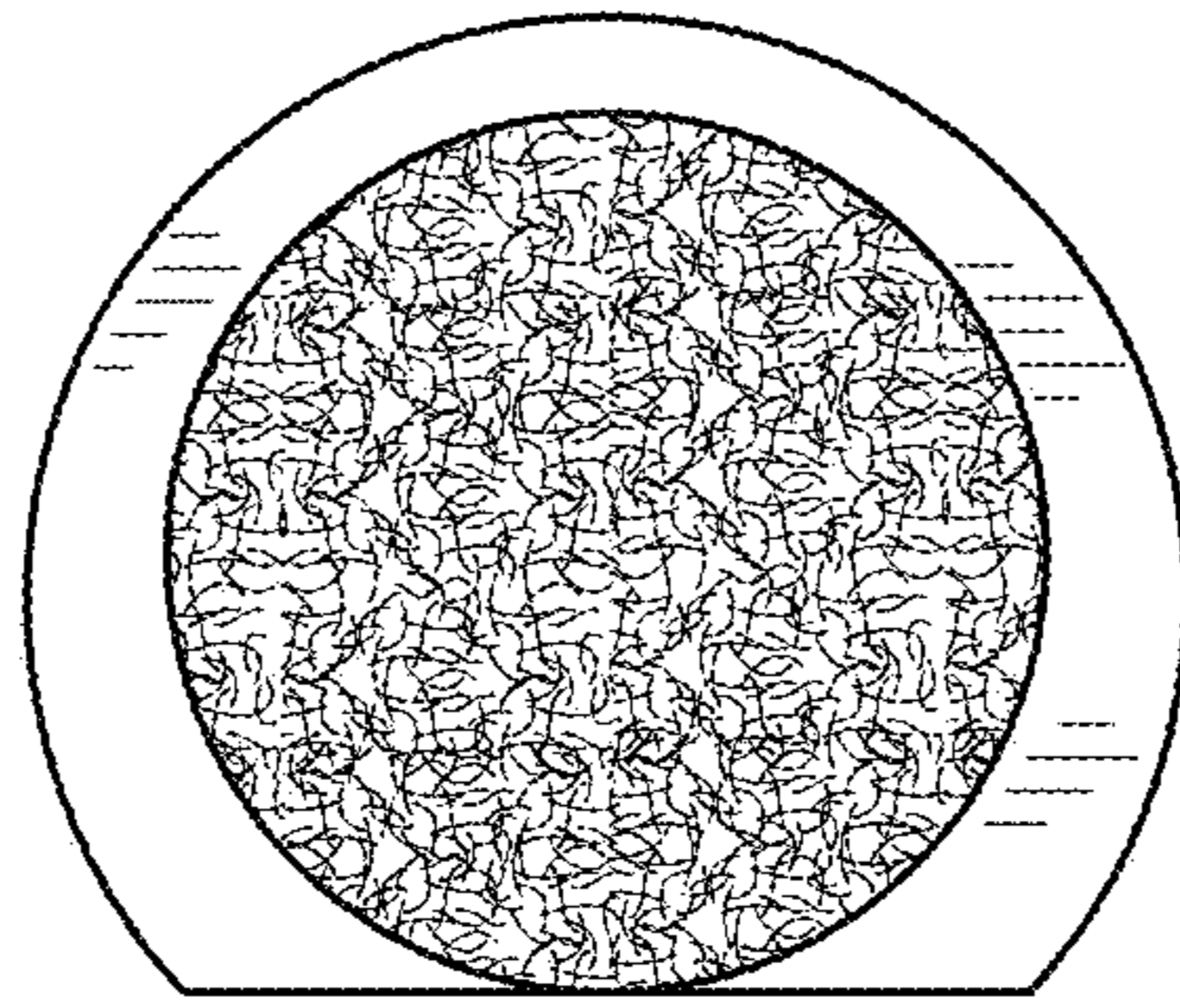


FIG. 6

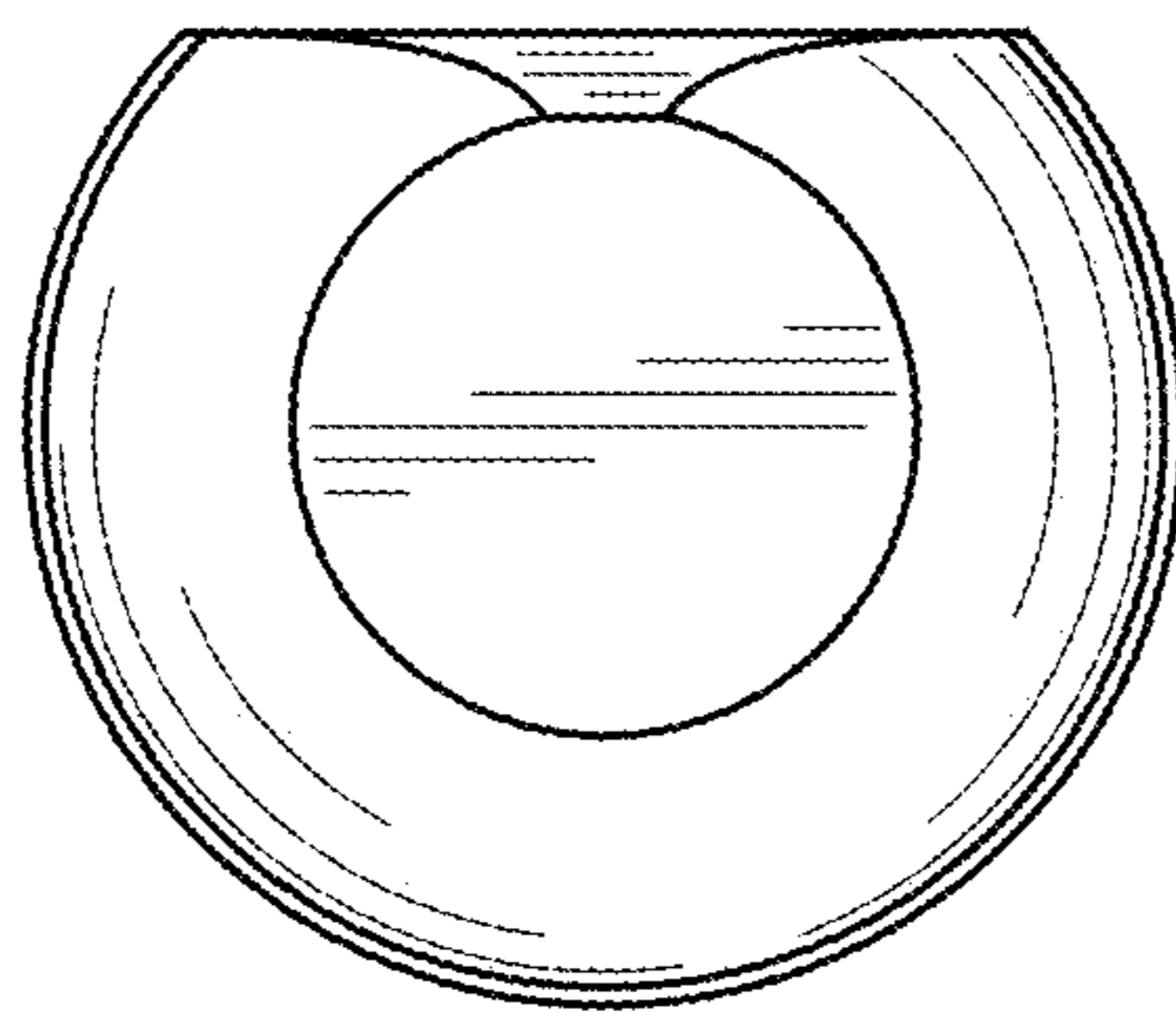


FIG. 7

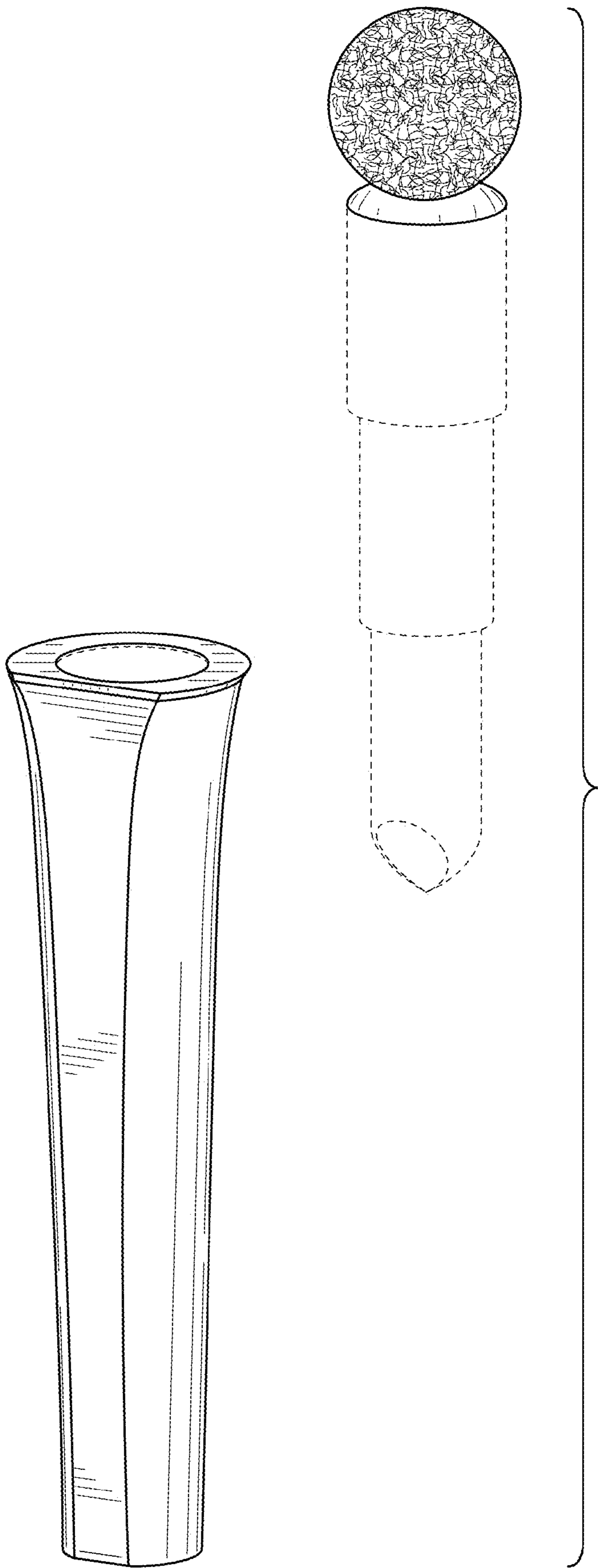


FIG. 8