



US00D923877S

(12) **United States Design Patent** (10) **Patent No.:** **US D923,877 S**
Hasegawa (45) **Date of Patent:** **** Jun. 29, 2021**

(54) **PACKAGE FOR COSMETIC PRODUCTS**

(71) Applicant: **AMG Co., Ltd.**, Tokyo (JP)

(72) Inventor: **Hiroki Hasegawa**, Tokyo (JP)

(73) Assignee: **AMG CO., LTD.**, Tokyo (JP)

(**) Term: **15 Years**

(21) Appl. No.: **29/671,304**

(22) Filed: **Nov. 26, 2018**

Related U.S. Application Data

(63) Continuation of application No. 35/502,081, filed on Jun. 13, 2016 (U.S. filing date under 35 U.S.C. 384), and having an international filing date of Jun. 13, 2016, now abandoned.

(51) **LOC (13) Cl.** **28-03**

(52) **U.S. Cl.**
USPC **D28/82**

(58) **Field of Classification Search**
USPC D28/10, 11, 12, 13, 14, 15, 16, 17, 18, D28/19, 20, 39, 41, 42, 73, 76, 77, 78, D28/79, 81, 82, 83, 84, 91, 91.2, 92, 93; D9/420, 421, 423, 424, 425, 428, 435, D9/454, 503, 504, 519, 520, 549, 550, D9/551, 558

CPC A41G 3/00; A41G 3/0008; A41G 3/0033; A41G 3/0041; A41G 5/00; A41G 5/0006; A41G 5/004; A41G 5/0046; A41G 5/0053; A41G 5/006; A41G 5/0073; A41G 5/008; A41G 5/0093; A41D 20/00; A45D 8/00; A45D 8/34; A45D 8/36; A45D 2008/002; A45D 2008/004; A45D 19/06; A45D 19/08; A45D 19/12; A61H 2205/081; A46B 9/02; A46B 9/06; A46B 1/00; A46B 3/00; A46B 3/005; A46B 5/00; A46B 5/02; A46B 5/021; A47K 7/02; A47K 7/022

See application file for complete search history.

(56) **References Cited**

U.S. PATENT DOCUMENTS

2,904,814	A	9/1959	Scholl	
4,132,306	A *	1/1979	Margolin	A45D 40/00 206/37
D258,575	S *	3/1981	Stettler	D28/78
D280,354	S *	8/1985	Bakic	D28/82
D331,818	S *	12/1992	Holahan	D28/77
D337,177	S *	7/1993	Tiramani	D28/76
D339,882	S *	9/1993	Chevassus	D28/82
D363,569	S *	10/1995	Lai	D28/82
D363,661	S *	10/1995	Lambelet, Jr.	D3/203.4
5,611,362	A	3/1997	Duncan et al.	
D424,751	S *	5/2000	Kudo	D28/78
D432,723	S *	10/2000	Crosta	D28/82
D519,241	S	4/2006	Jackel-Marken	

(Continued)

Primary Examiner — Dana K Weiland

Assistant Examiner — Messina L Smith

(74) *Attorney, Agent, or Firm* — Muncy, Geissler, Olds & Lowe, P.C.

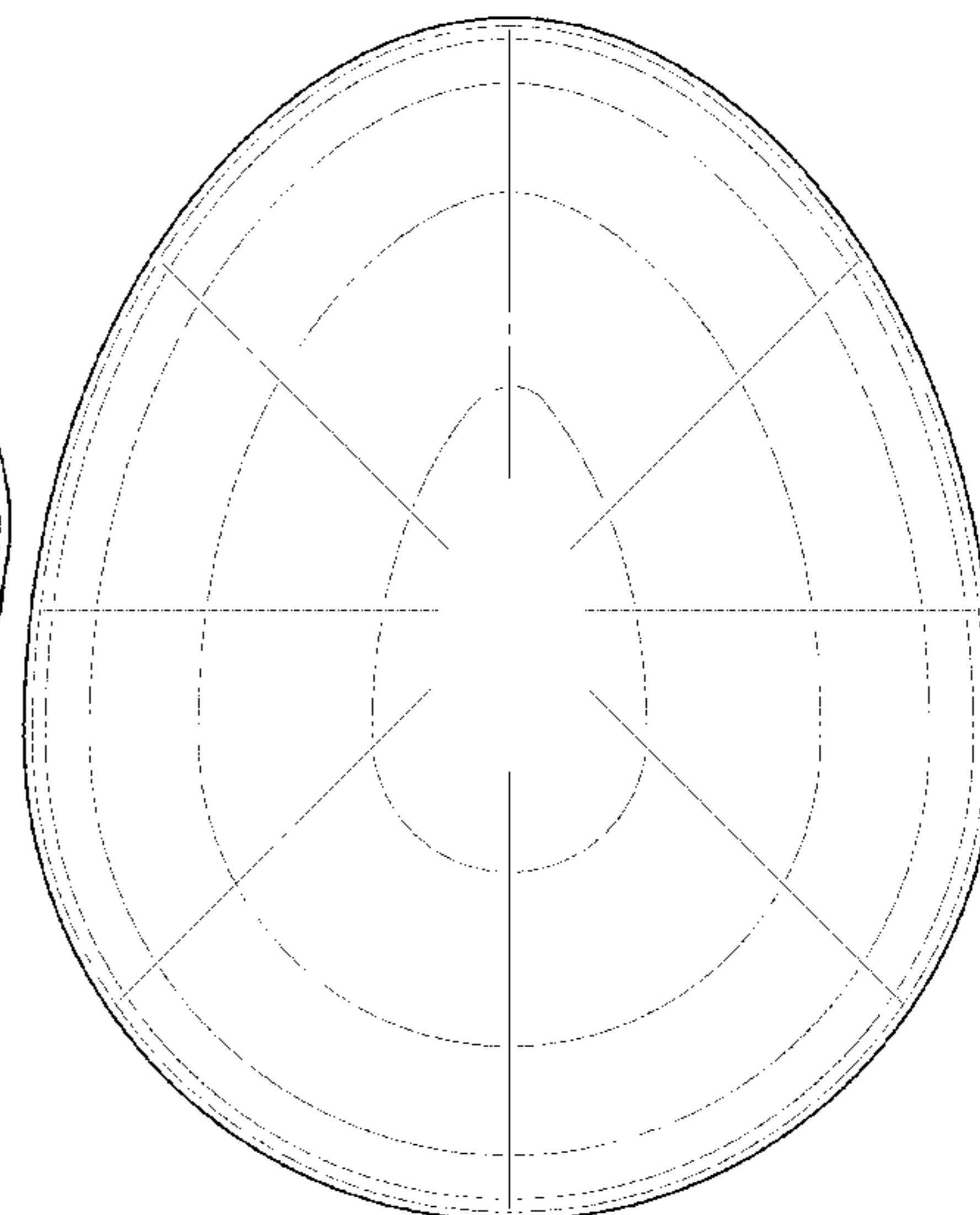
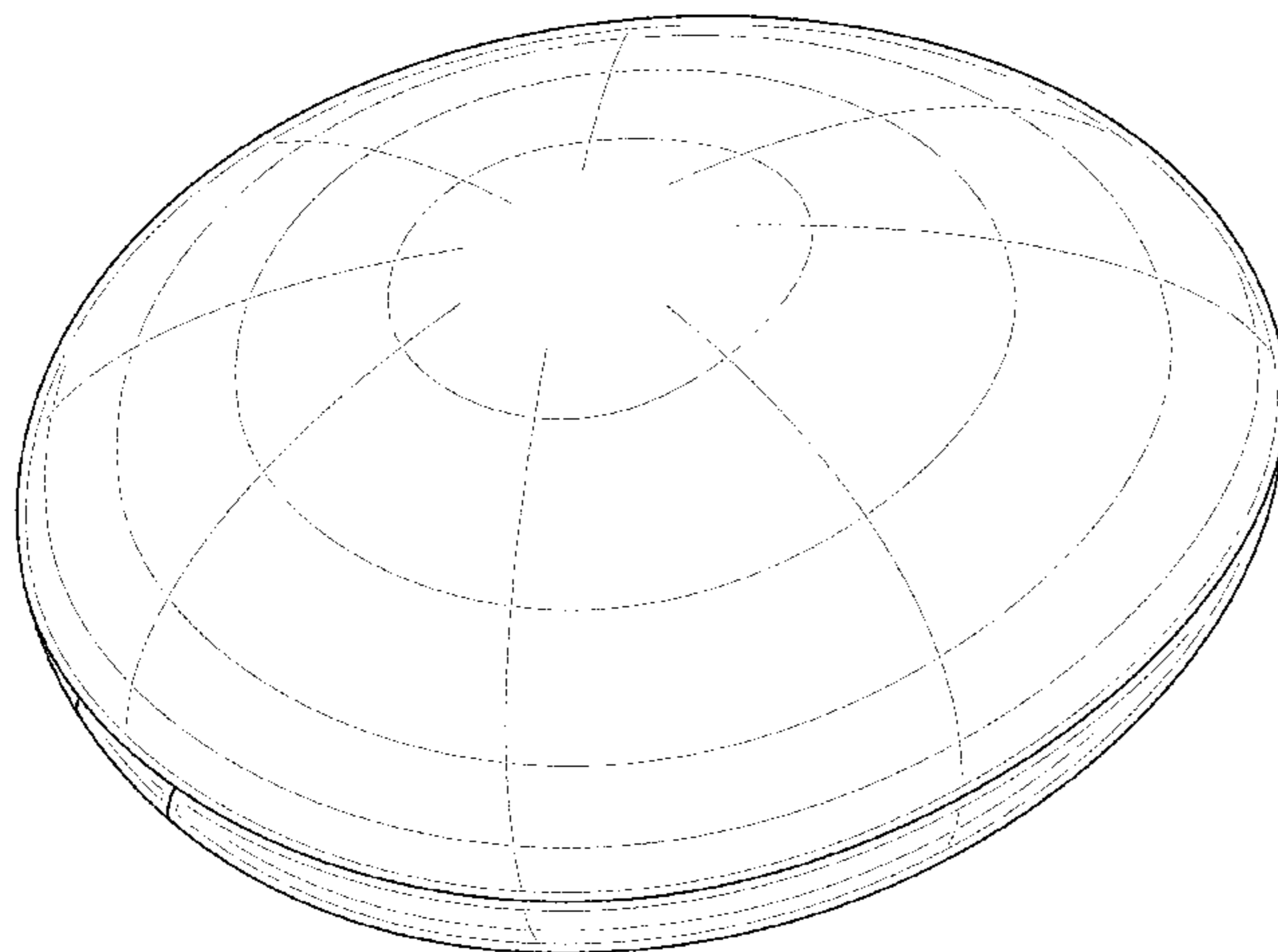
(57) **CLAIM**

The ornamental design for a package for cosmetic products, as shown and described.

DESCRIPTION

FIG. 1 is a perspective view of a package for cosmetic products showing the new design; FIG. 2 is a front view thereof; FIG. 3 is a back view thereof; FIG. 4 is a left side view thereof, the right side view being a mirror image thereof; FIG. 5 is a top view thereof; and, FIG. 6 is a bottom thereof. The broken lines in the figures depict portions of the package for cosmetic products that form no part of the claimed design.

1 Claim, 6 Drawing Sheets



(56)

References Cited

U.S. PATENT DOCUMENTS

D547,176 S *	7/2007	Sansoldo	D9/423	D793,624 S *	8/2017	Hwang	D28/82
D578,711 S	10/2008	Burrow et al.			D800,961 S	10/2017	Silva		
D580,598 S *	11/2008	Yamada	D28/82	D817,551 S *	5/2018	Montoli	B65D 81/266
D595,899 S *	7/2009	Krause-Neufeldt	D28/82					D28/82
D599,958 S *	9/2009	Washington	D28/82	D857,996 S *	8/2019	Chen	D28/82
D641,106 S *	7/2011	Williams	D28/82	D877,416 S *	3/2020	Lotti	D28/73
D685,545 S	7/2013	Ono et al.			2004/0020509 A1 *	2/2004	Waisman	A45D 42/10
D697,800 S *	1/2014	Villarreal	D28/82					132/316
D699,931 S	2/2014	Grisoni			2004/0256416 A1 *	12/2004	Byun	A45D 34/042
D708,781 S	7/2014	Yoon							222/390
D721,855 S	1/2015	Lavigne			2005/0109661 A1	5/2005	Shih		
D724,786 S *	3/2015	Jung	D28/82	2006/0006579 A1	1/2006	Maio et al.		
D742,070 S *	10/2015	Park	D28/82	2008/0011320 A1	1/2008	Bouix et al.		
D744,698 S *	12/2015	Kalyanpur	D28/82	2008/0023023 A1	1/2008	Boye et al.		
D759,897 S *	6/2016	Eberlein	D28/82	2008/0295857 A1	12/2008	Gatesoupe		
D767,986 S	10/2016	Epstein			2010/0132734 A1	6/2010	Mills		
D773,731 S	12/2016	Harris			2013/0152962 A1	6/2013	Pires et al.		
D774,266 S	12/2016	Baldwin			2013/0220362 A1	8/2013	Rogers		
D777,984 S *	1/2017	Son	D28/82	2014/0014131 A1	1/2014	Zhang		
					2014/0261530 A1	9/2014	Mcnamara		
					2017/0143102 A1 *	5/2017	Silva	A45D 42/02

* cited by examiner

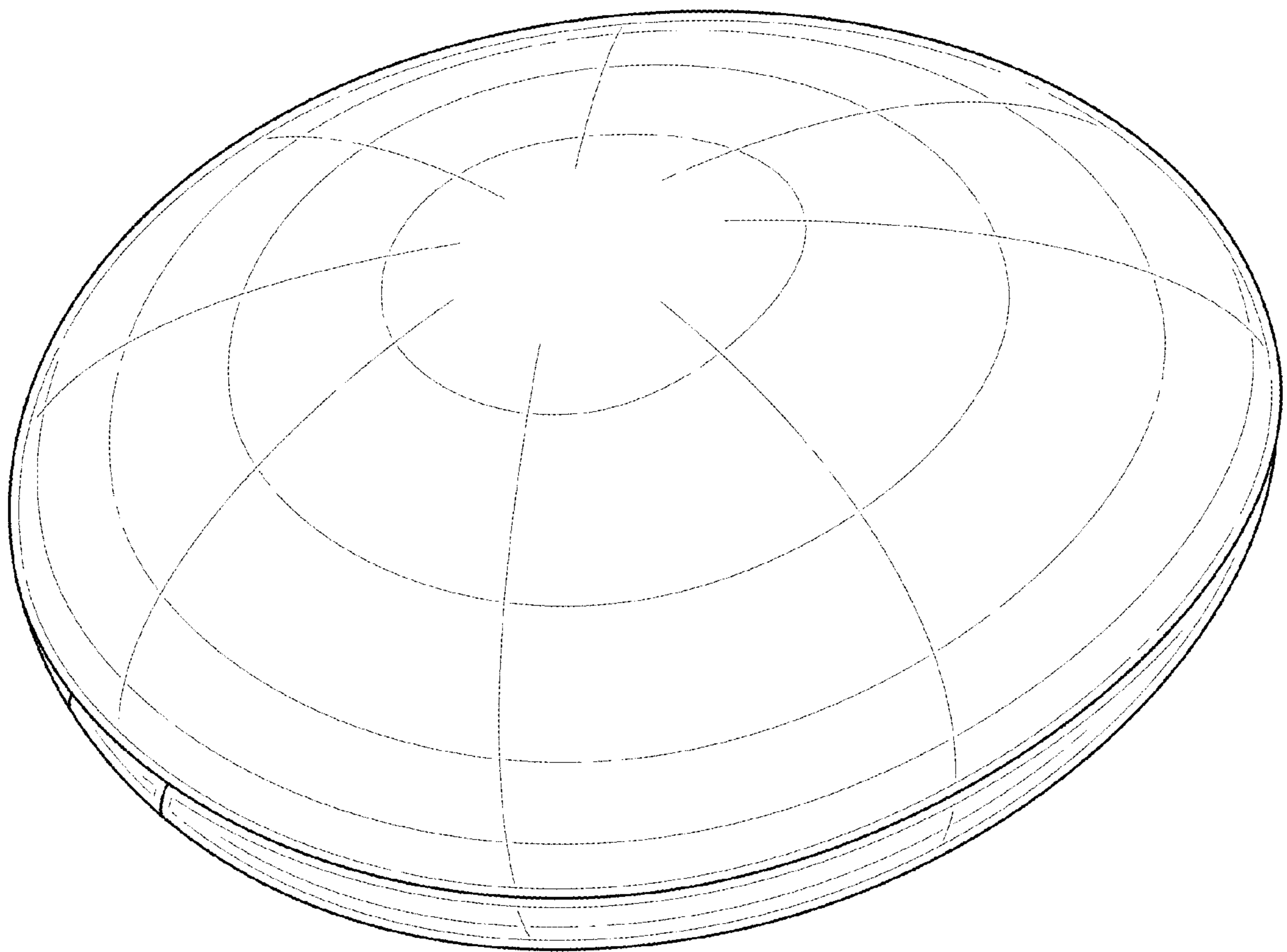


FIG. 1

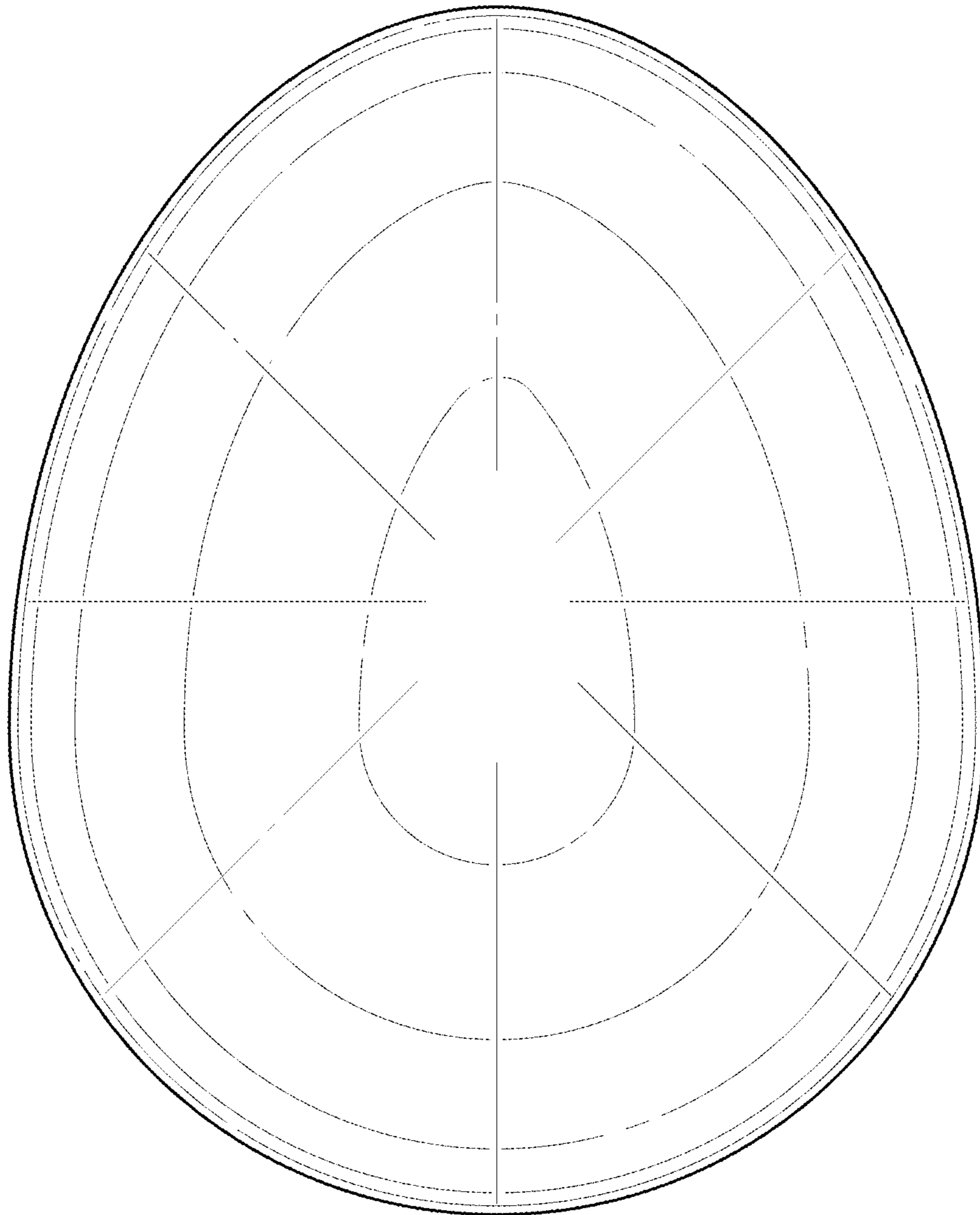


FIG. 2

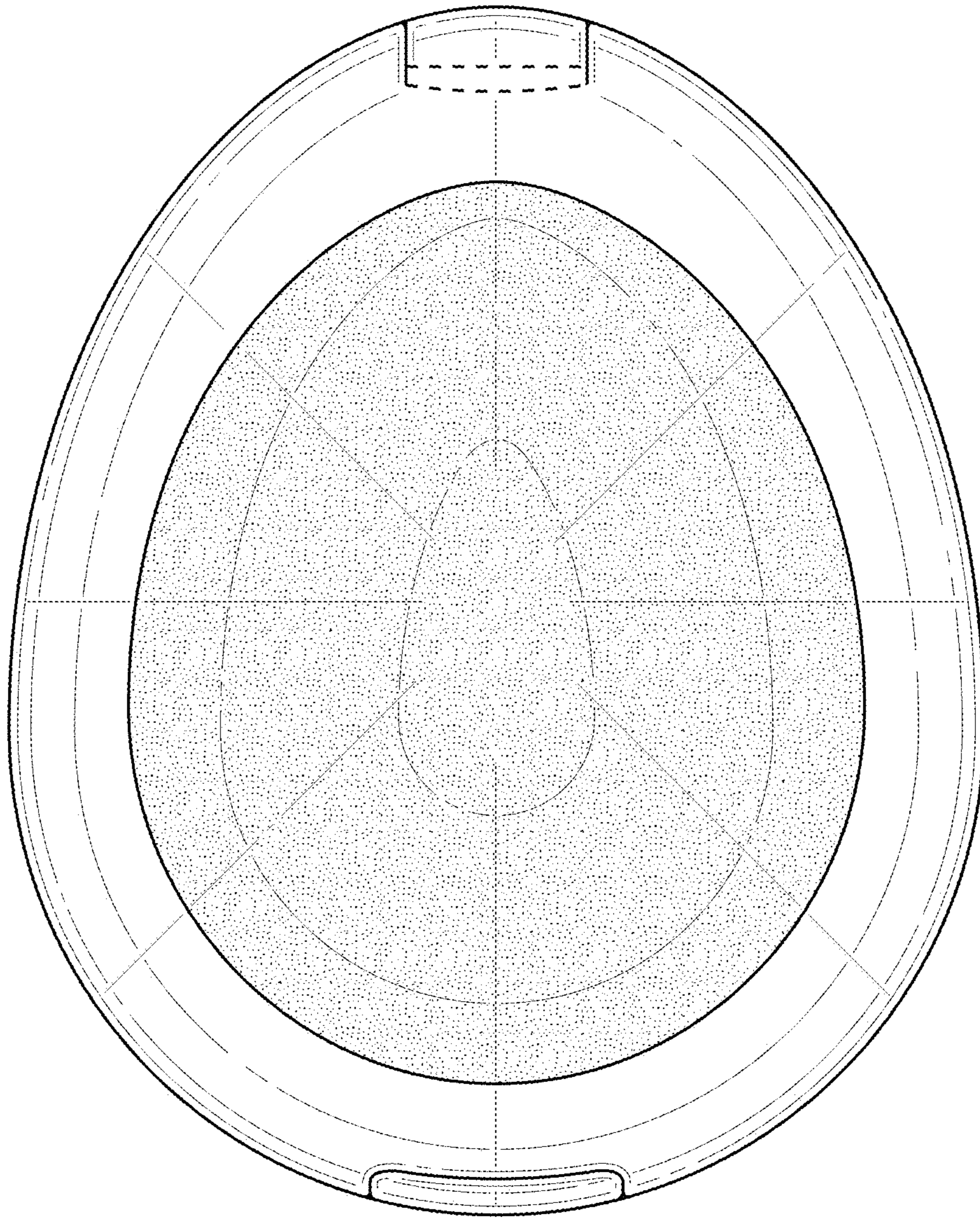


FIG. 3

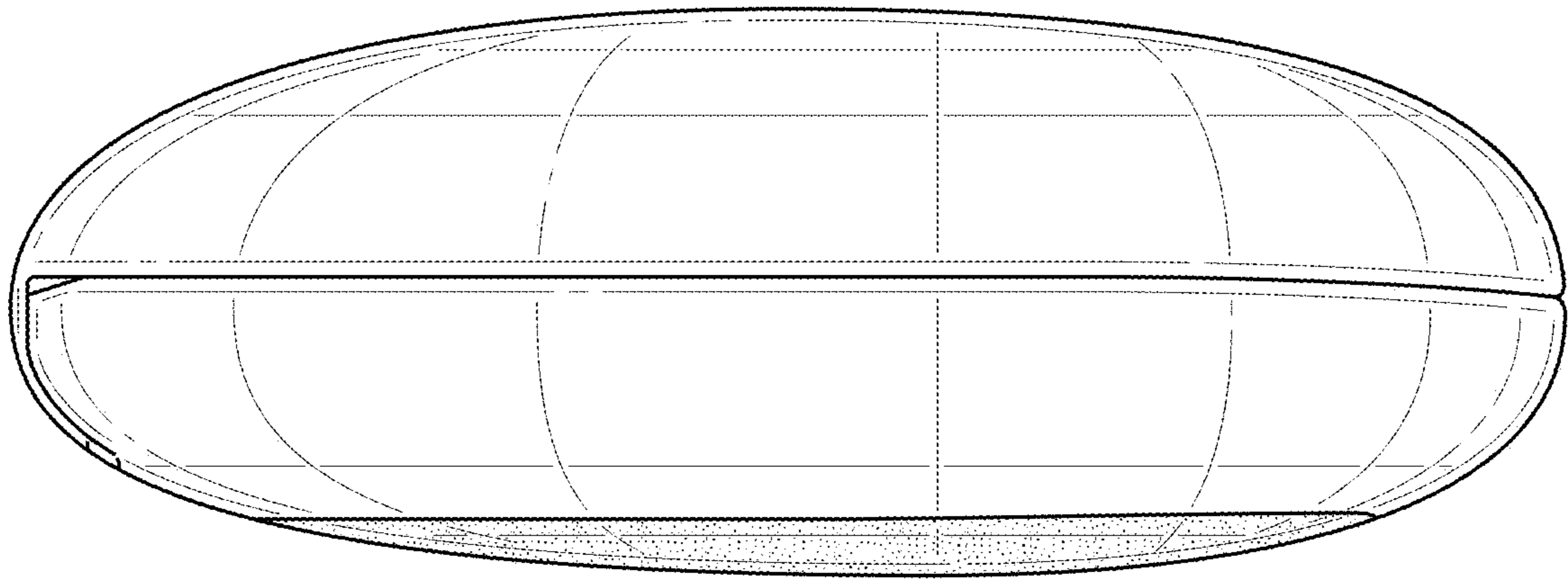


FIG. 4

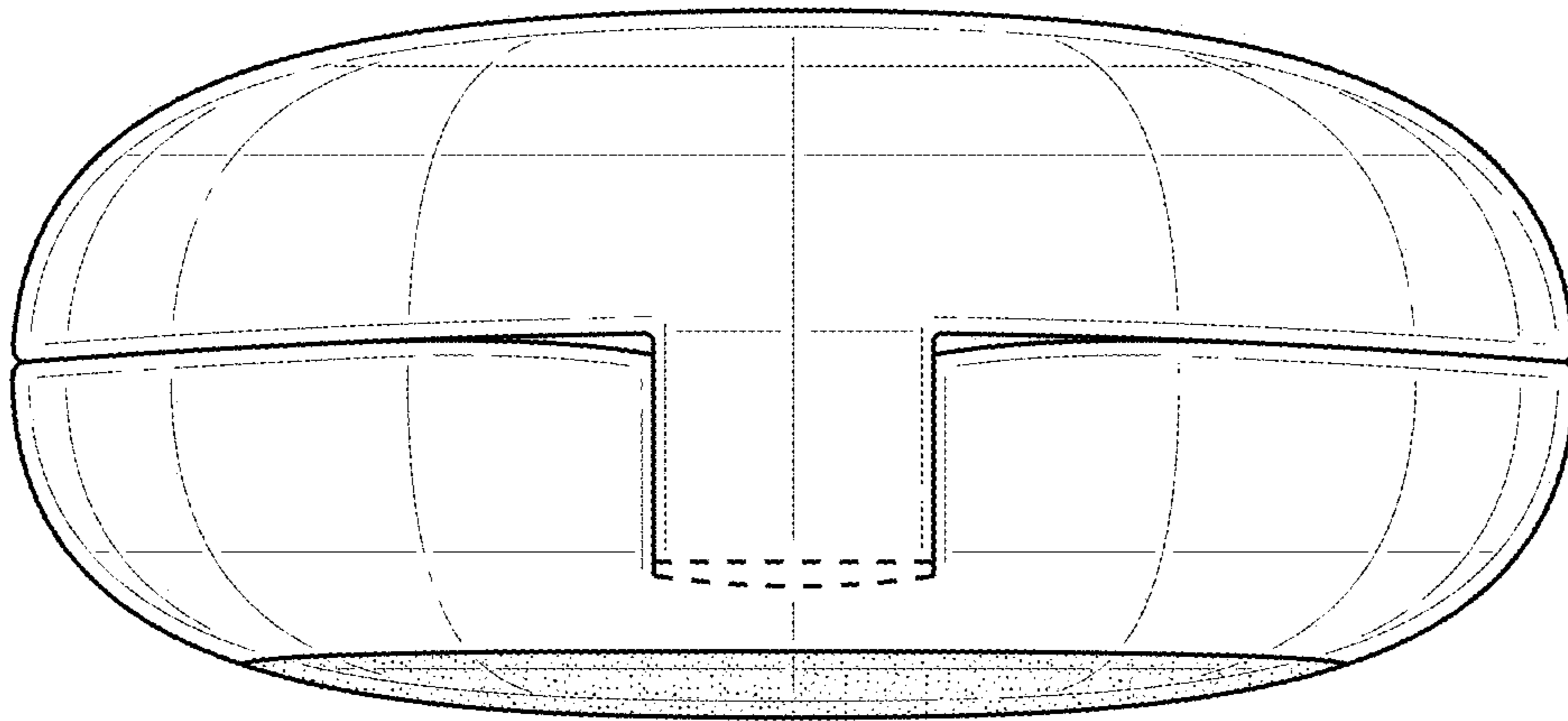


FIG. 5

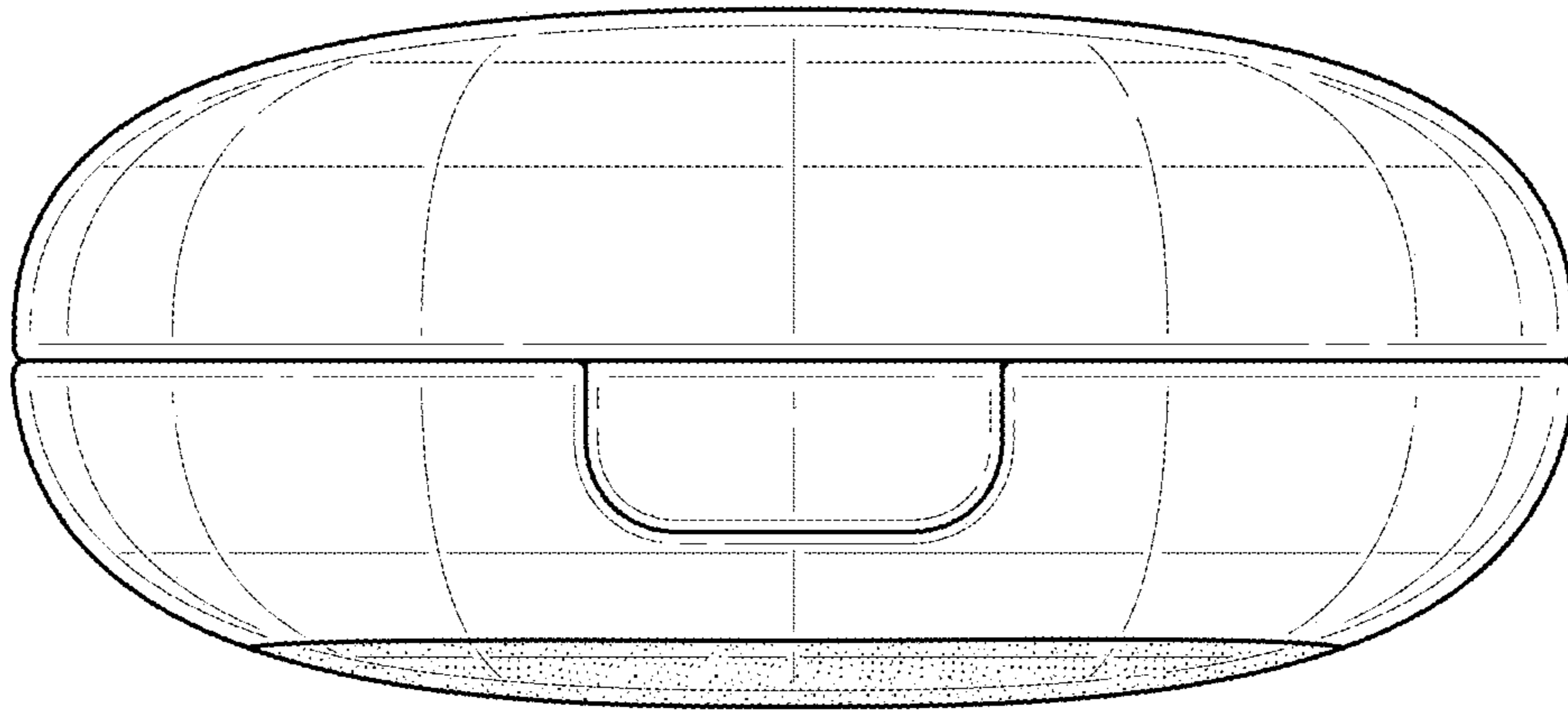


FIG. 6