



US00D923875S

(12) **United States Design Patent**
Cha et al.

(10) **Patent No.:** **US D923,875 S**
(45) **Date of Patent:** **** Jun. 29, 2021**

(54) **COSMETIC CONTAINER**
(71) Applicant: **YONWOO CO., LTD.**, Incheon (KR)
(72) Inventors: **Gi Yeong Cha**, Incheon (KR); **Yu Seob Kim**, Incheon (KR); **Min-Goo Kim**, Incheon (KR)

2,077,217 A * 4/1937 Conner A45D 40/0068
215/12.1
2,077,218 A * 4/1937 Conner A45D 40/0068
215/12.1
D117,705 S * 11/1939 Abrams D9/746
(Continued)

(73) Assignee: **YONWOO CO., LTD.**, Incheon (KR)
(**) Term: **15 Years**

CN 304149740 S 5/2017
KR 30-0844773 S 3/2016

FOREIGN PATENT DOCUMENTS

(21) Appl. No.: **29/694,497**
(22) Filed: **Jun. 11, 2019**

OTHER PUBLICATIONS

Sustainable Packaging—The New Black in the Beauty Industry, posted on Sep. 19, 2019 on cosmoprof-asia.com, retrieved on Nov. 30, 2020, retrieved from the Internet URL: <https://www.cosmoprof-asia.com/blog/sustainable-packaging-the-new-black-in-the-beauty-industry/>.*

(30) **Foreign Application Priority Data**

Apr. 1, 2019 (KR) 30-2019-0014927

Primary Examiner — Catherine S Posthauer
Assistant Examiner — Alison M Ofstun

(51) **LOC (13) Cl.** **28-03**
(52) **U.S. Cl.**
USPC **D28/76**

(74) *Attorney, Agent, or Firm* — Novick, Kim & Lee, PLLC; Sang Ho Lee; Hyun Woo Shin

(58) **Field of Classification Search**
USPC D28/7, 73, 76–84, 88, 90, 99;
D9/503–505, 722, 529, 420, 425, 428,
D9/456, 418
CPC A45D 33/00; A45D 33/006; A45D 33/003;
A45D 33/04–33; A45D 33/025; A45D
33/02; A45D 33/20; A45D 33/22; A45D
33/24; A45D 33/26; A45D 33/28; A45D
33/18; A45D 40/00; A45D 40/22
See application file for complete search history.

(57) **CLAIM**

We claim the ornamental design for a cosmetic container, as shown and described.

(56) **References Cited**

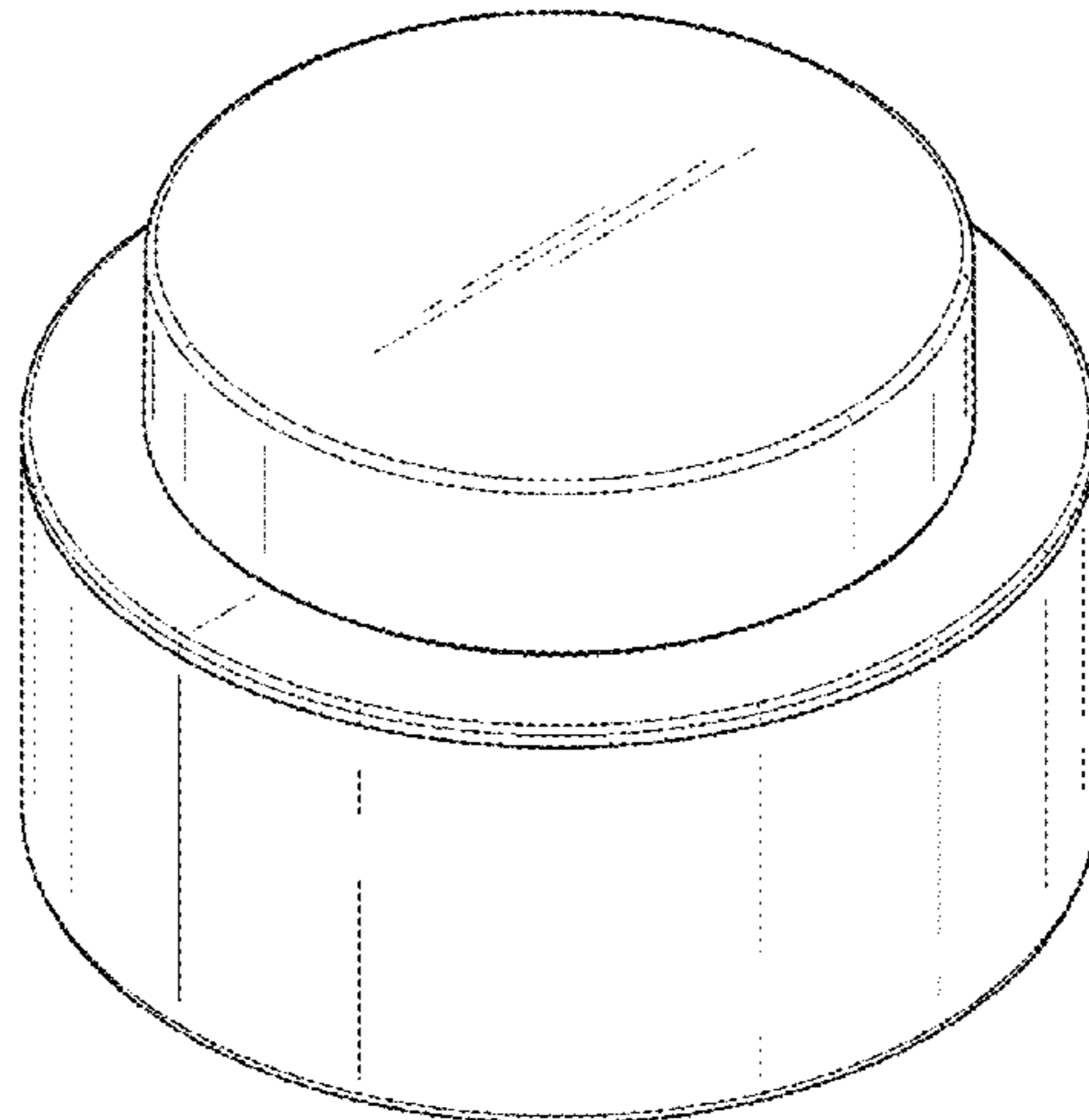
U.S. PATENT DOCUMENTS

2,076,551 A * 4/1937 Conner A45D 40/0068
215/12.1
2,077,215 A * 4/1937 Conner A45D 40/0068
215/12.1
2,077,216 A * 4/1937 Conner A45D 40/0068
215/12.1

DESCRIPTION

FIG. 1 is a perspective view of a cosmetic container, showing our new design;
FIG. 2 is a front elevational view thereof;
FIG. 3 is a rear elevational view thereof;
FIG. 4 is a left side elevational view thereof;
FIG. 5 is a right side elevational view thereof;
FIG. 6 is a top plan view thereof;
FIG. 7 is a bottom plan view thereof;
FIG. 8 is a sectional view thereof taken along line 8-8 in FIG. 2; and,
FIG. 9 is an exploded perspective view thereof.

(Continued)



The broken lines in the drawings illustrate portions of the cosmetic container which form no part of the claimed design.

1 Claim, 5 Drawing Sheets

(56) **References Cited**

U.S. PATENT DOCUMENTS

D405,699	S *	2/1999	Chae	D9/558
D657,691	S *	4/2012	Lim	D9/690
D696,120	S *	12/2013	You	D9/503
D746,627	S *	1/2016	Puigbo	D9/503
D759,489	S *	6/2016	Lee	D9/503
D784,138	S *	4/2017	Kim	D9/503
D852,647	S *	7/2019	Burditt	D9/746
D862,233	S *	10/2019	Lerman	D9/500
D873,666	S *	1/2020	Yokokura	D9/503
10,758,023	B1 *	9/2020	Cha	A45D 40/0068
2016/0015148	A1 *	1/2016	Chang	A45D 33/24 220/212.5
2017/0202342	A1 *	7/2017	Won	A45D 40/24
2018/0271251	A1 *	9/2018	Yeo	A45D 34/00

* cited by examiner

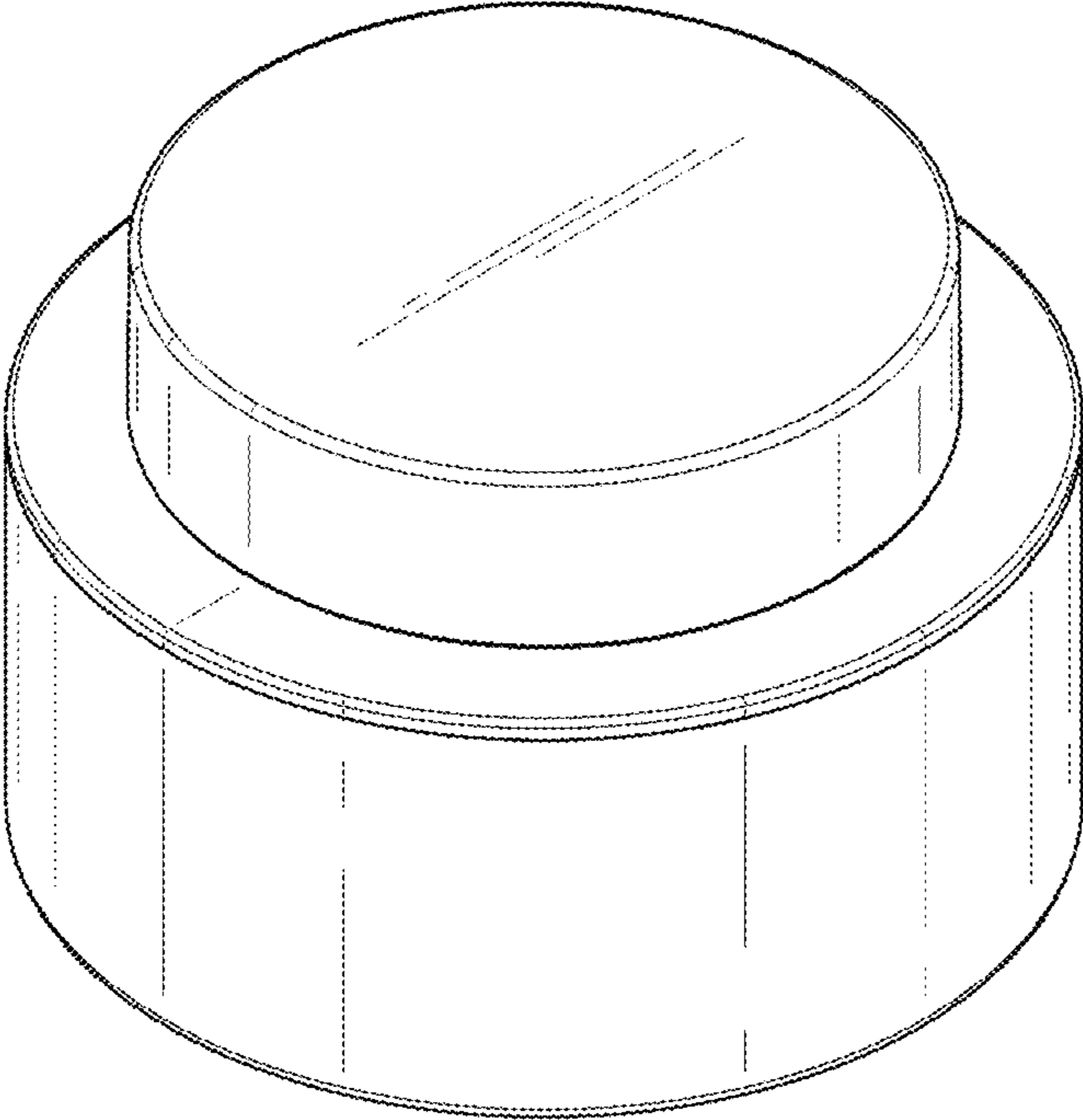


FIG. 1

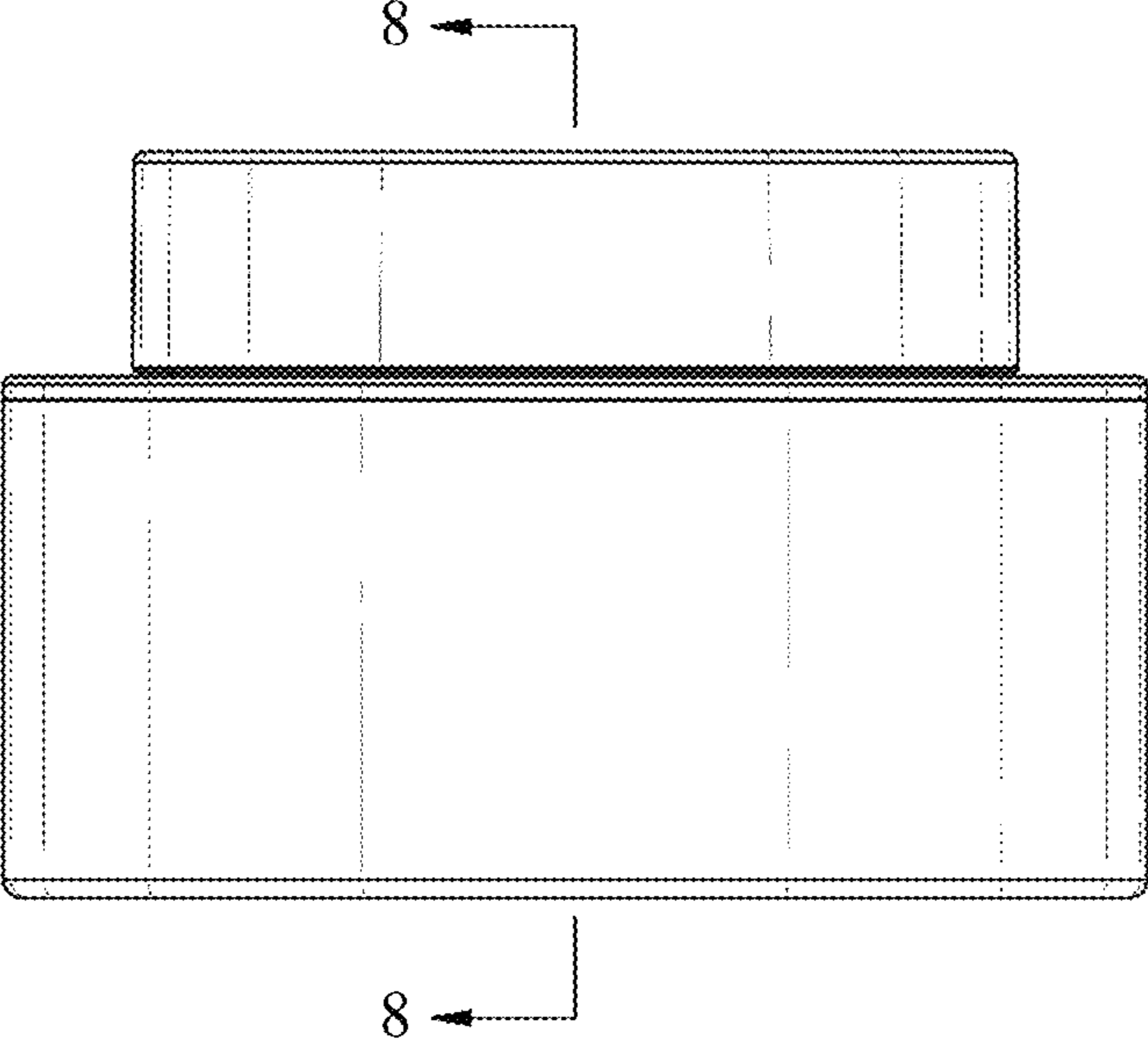


FIG. 2

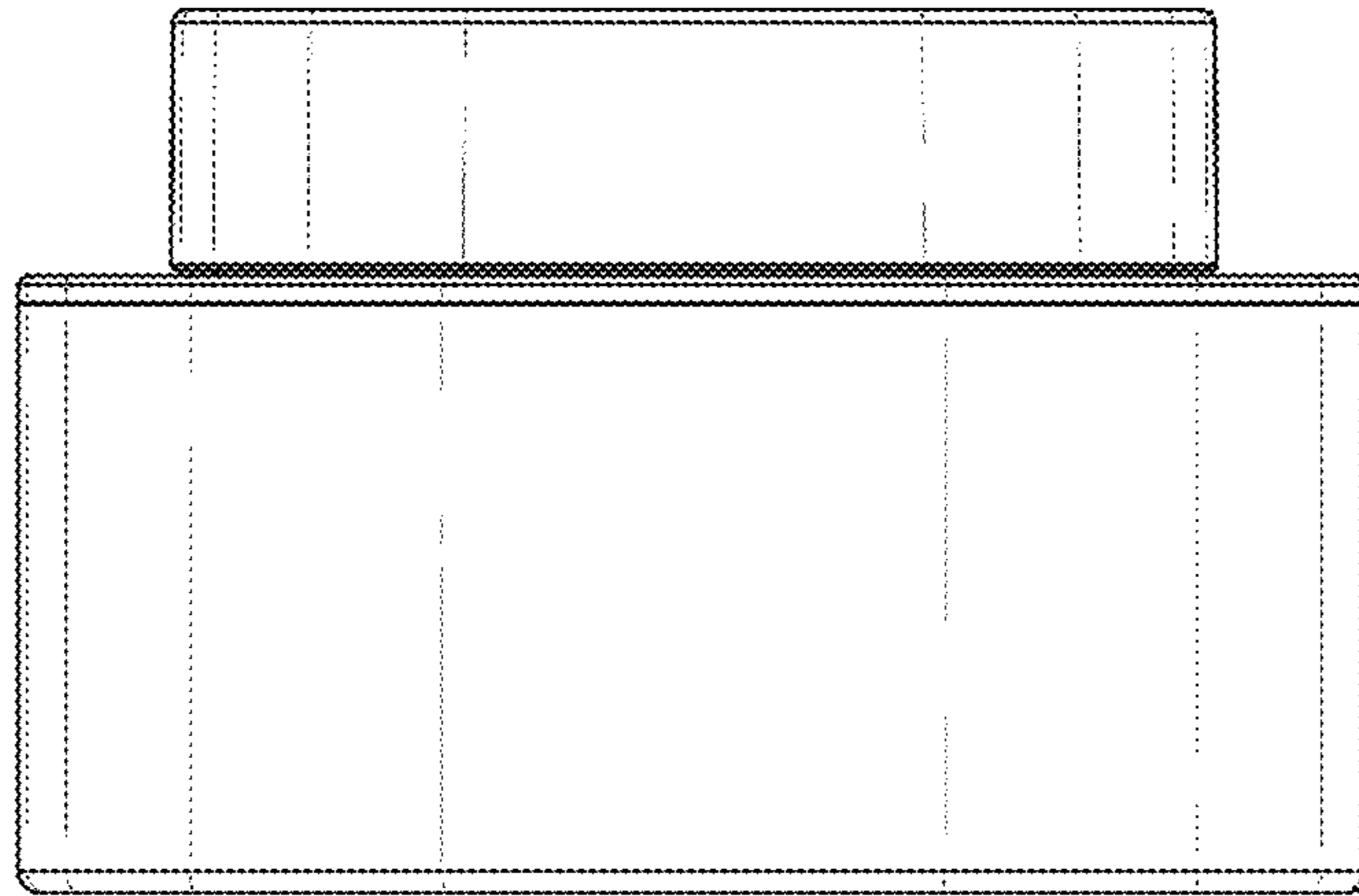


FIG. 3

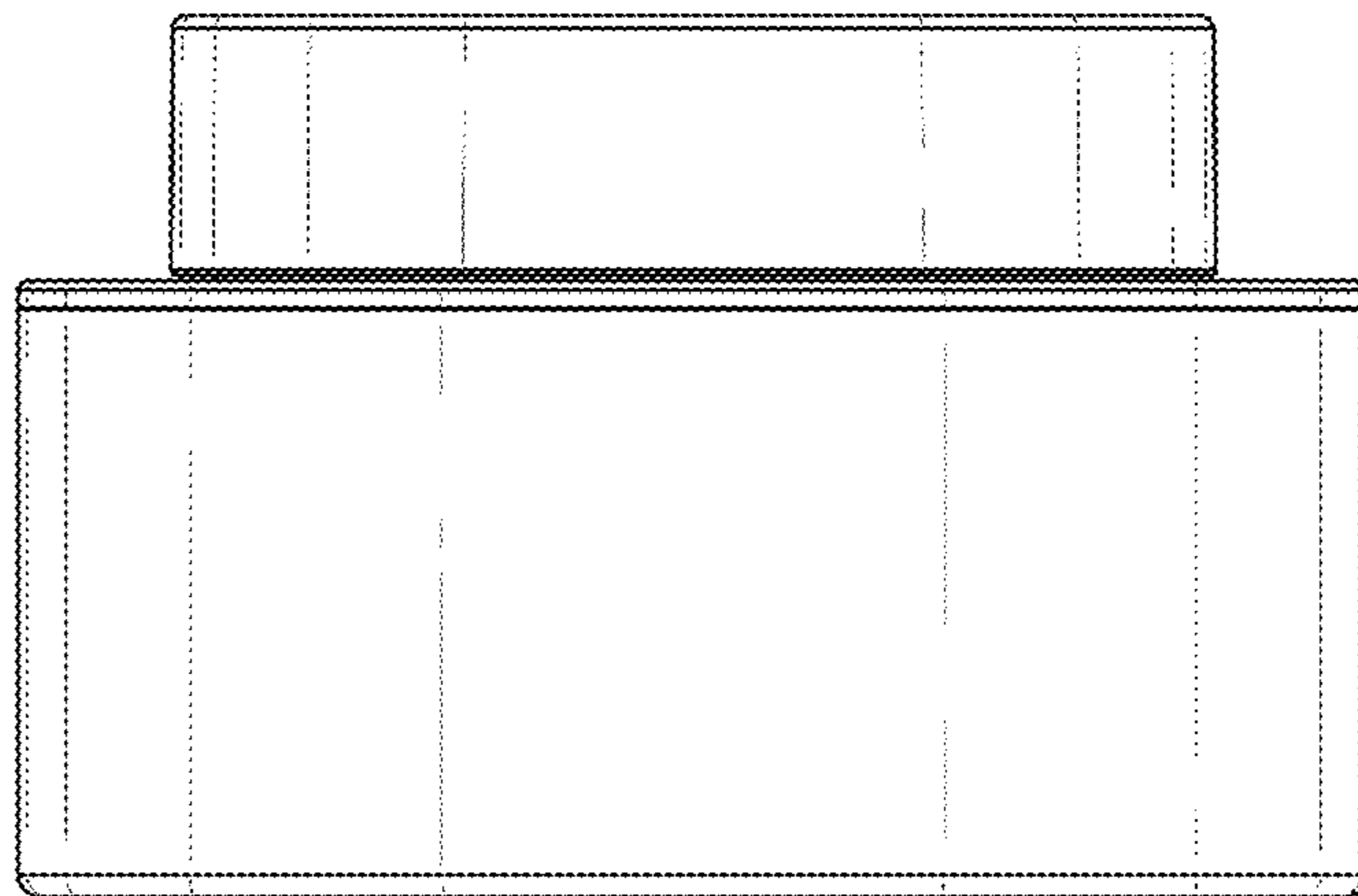


FIG. 4

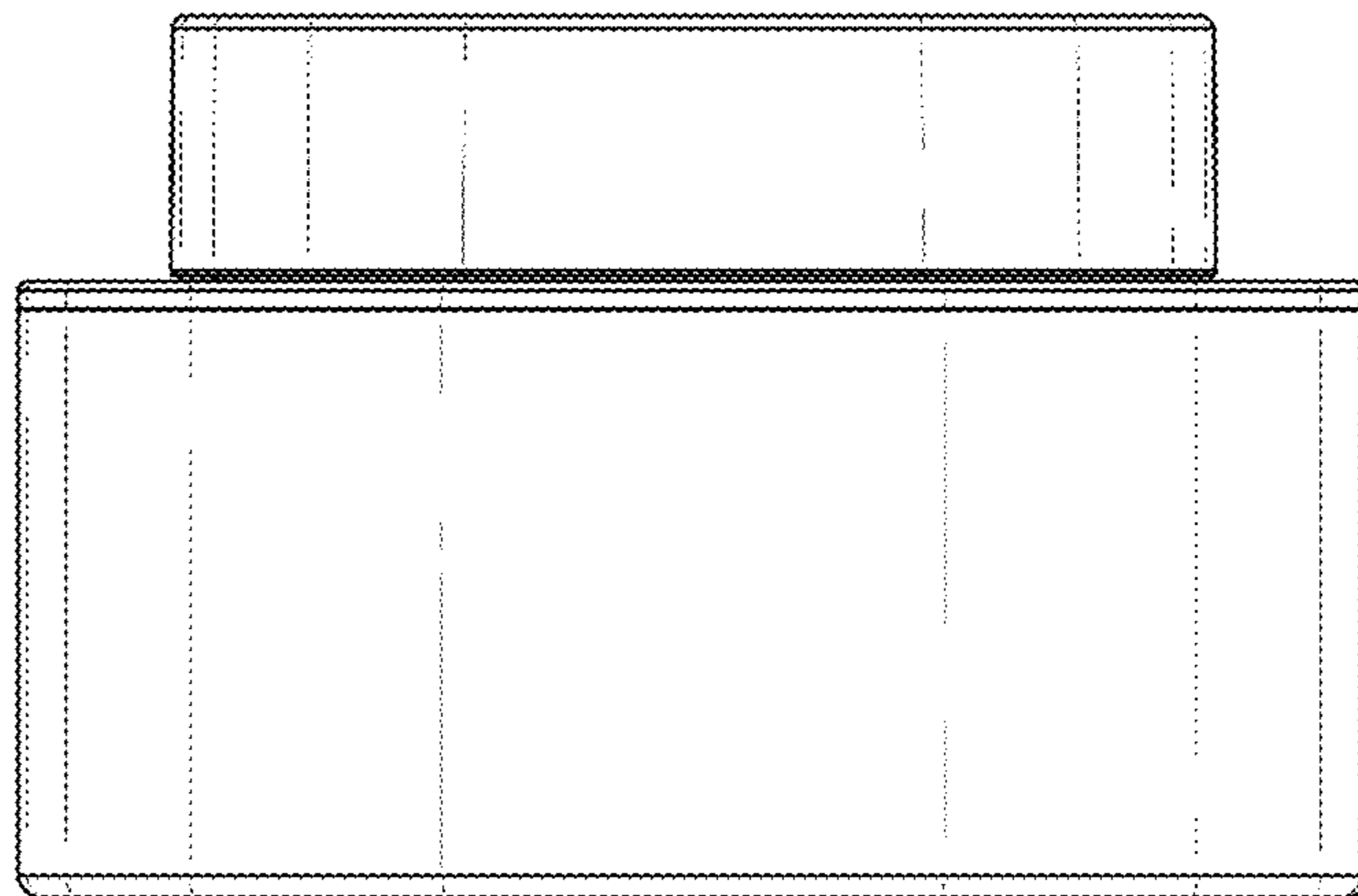


FIG. 5

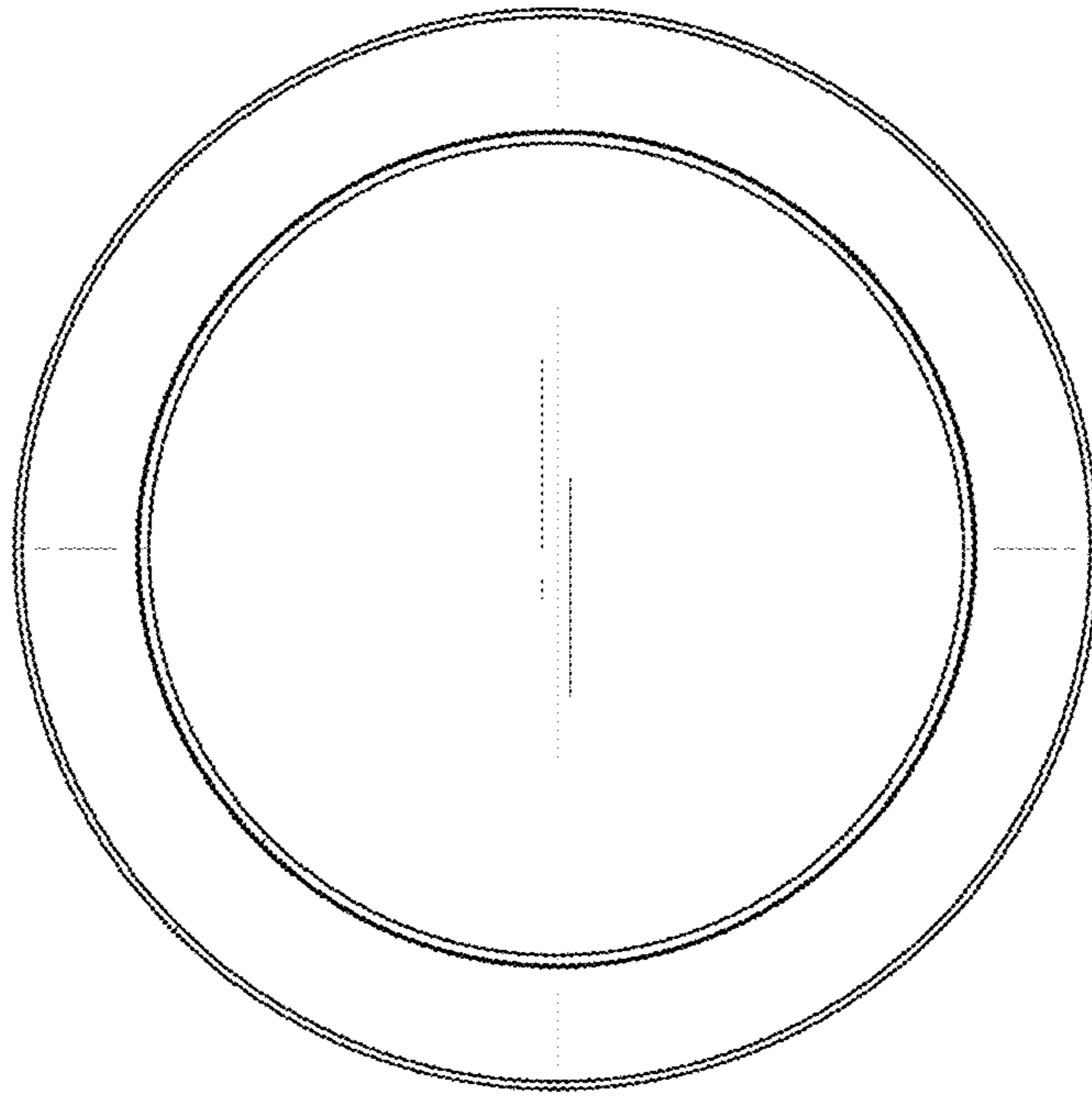


FIG. 6

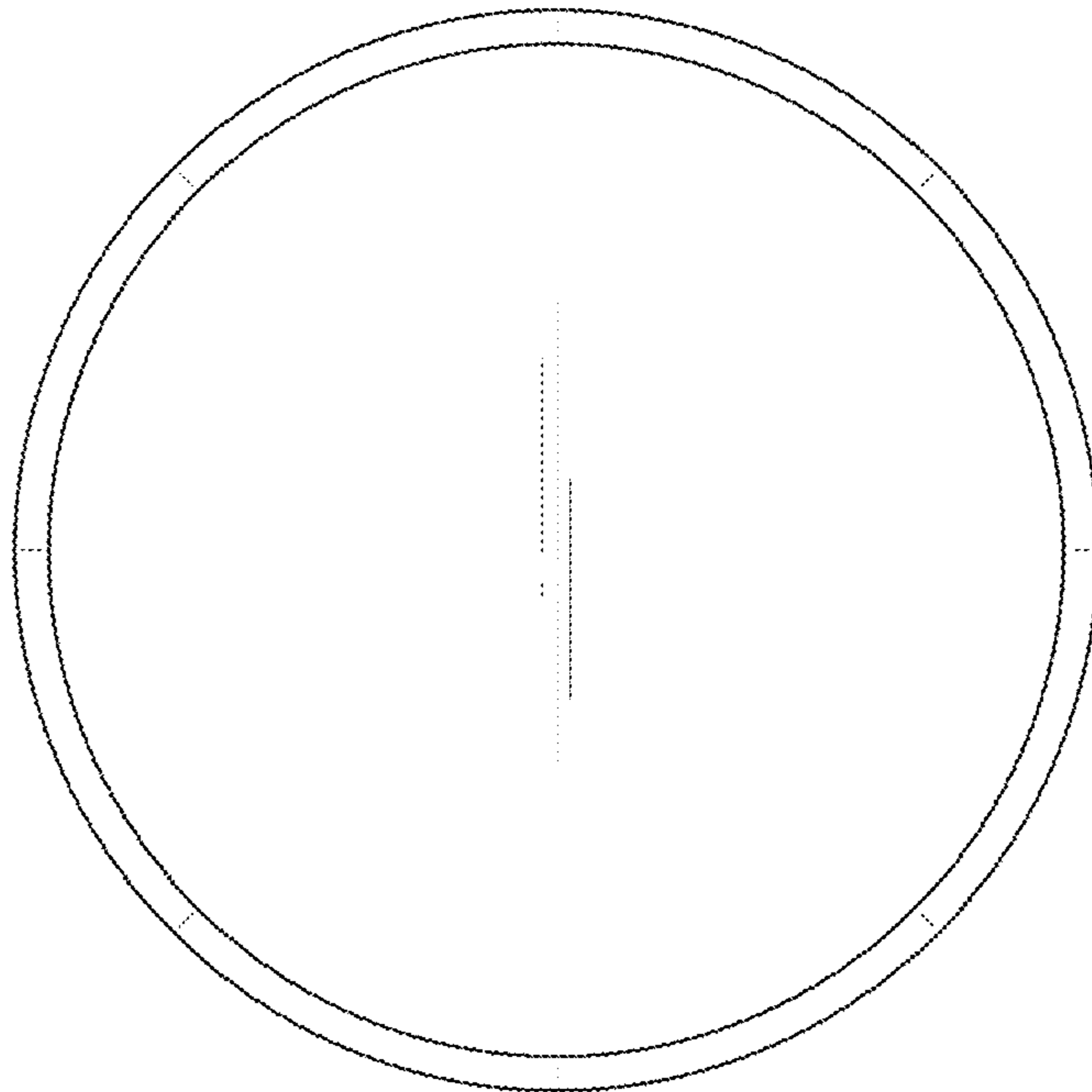


FIG. 7

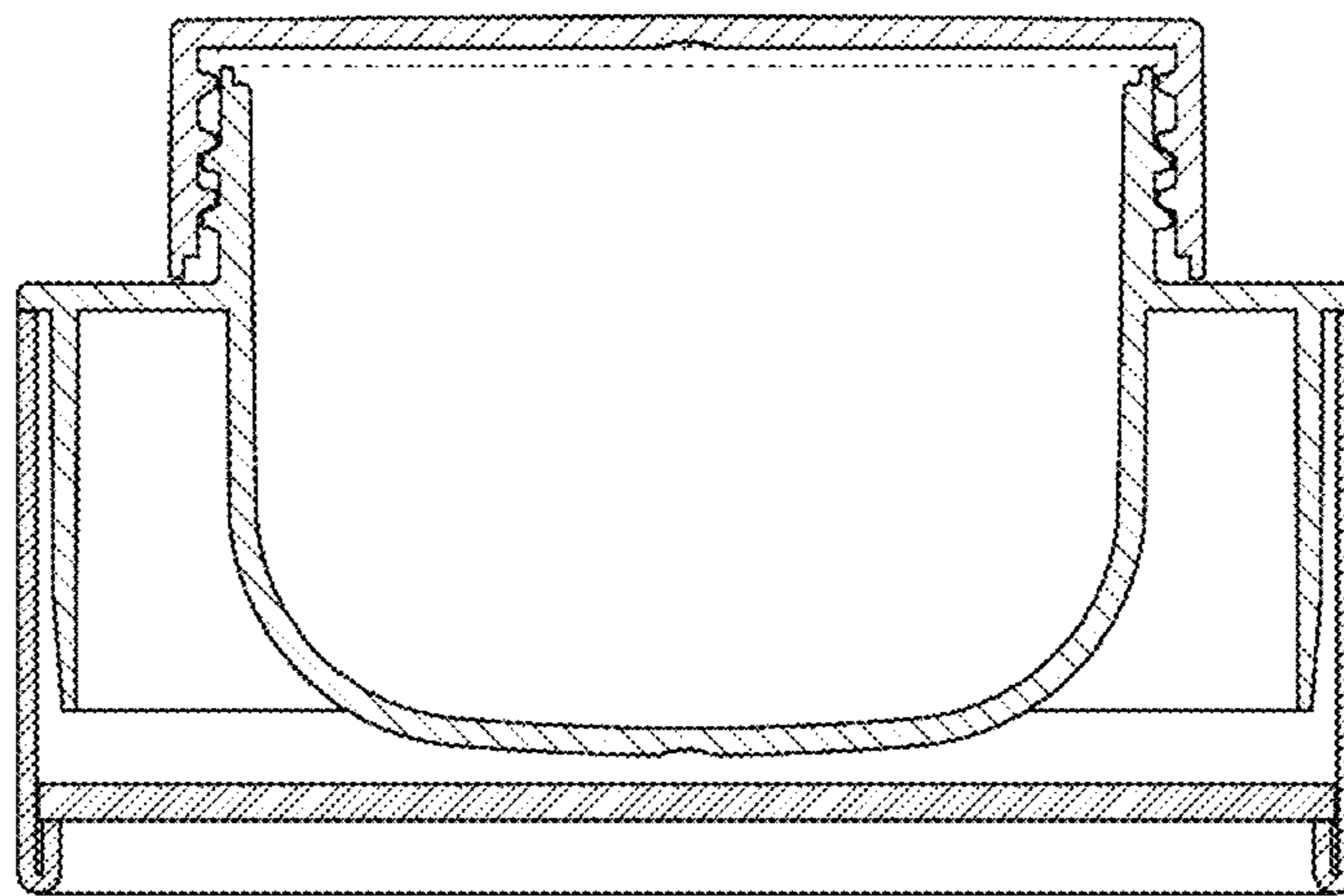


FIG. 8

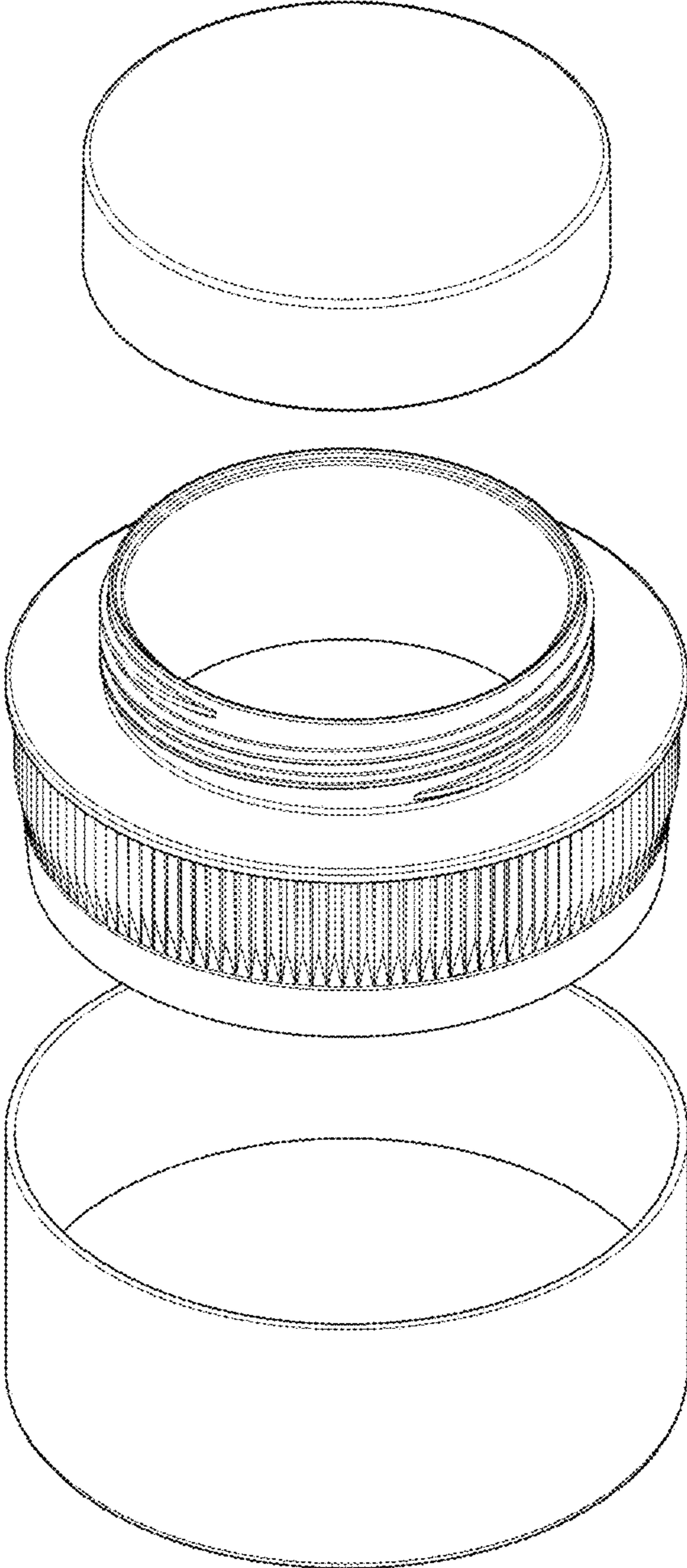


FIG. 9