



US00D923870S

(12) **United States Design Patent** (10) **Patent No.:** **US D923,870 S**
Wang (45) **Date of Patent:** **** Jun. 29, 2021**

(54) **GRINDER**

(71) Applicant: **Kent Charles Wang**, Pinole, CA (US)

(72) Inventor: **Kent Charles Wang**, Pinole, CA (US)

(**) Term: **15 Years**

(21) Appl. No.: **29/760,677**

(22) Filed: **Dec. 3, 2020**

(51) **LOC (13) Cl.** **27-99**

(52) **U.S. Cl.**
USPC **D27/194; D7/679**

(58) **Field of Classification Search**
USPC D7/679, 372, 373, 381, 382; D27/194,
D27/195
CPC B02C 18/24; B02C 18/08; B02C 18/16;
A47J 42/00; A47J 42/04; A47J 42/14;
A47J 42/24; A47J 42/34; A47J 42/36;
A47J 43/25; A47J 43/255; A47J 43/04;
A47J 43/06

See application file for complete search history.

(56) **References Cited**

U.S. PATENT DOCUMENTS

795,746	A *	7/1905	Wingfield et al.	A24F 15/18 206/238
D474,378	S *	5/2003	Brandenburg	D7/679
6,945,486	B2 *	9/2005	Teng	A47J 19/06 241/169.1
7,422,170	B2 *	9/2008	Bao	B02C 18/24 241/168
8,393,563	B2 *	3/2013	Chaoui	B02C 18/24 241/168
8,783,595	B2 *	7/2014	Delbridge	A47J 42/20 241/169.1
D739,075	S	9/2015	Grumbacher et al.	

(Continued)

Primary Examiner — Terry A Wallace

(74) *Attorney, Agent, or Firm* — Runit Ranjit Kanakia

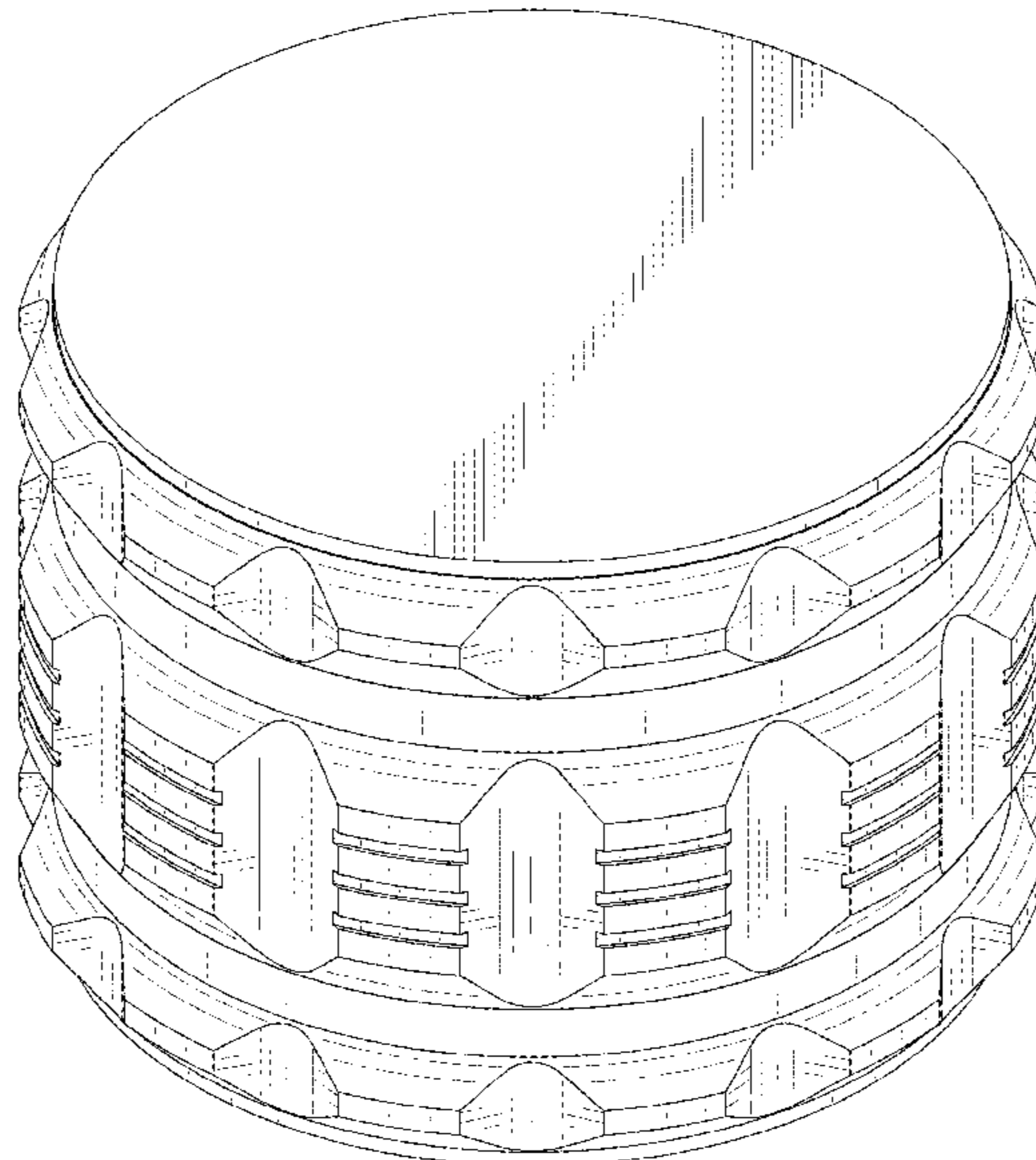
(57) **CLAIM**

The ornamental design for a grinder, as shown and described.

DESCRIPTION

FIG. 1 is a front elevational view of a grinder showing my new design;
 FIG. 2 is a rear elevational view thereof; and
 FIG. 3 is a top plan view thereof;
 FIG. 4 is a bottom plan view thereof;
 FIG. 5 is a first perspective view of a grinder;
 FIG. 6 is another perspective view thereof;
 FIG. 7 is a first perspective view of a third element removed from the grinder, shown removed from the grinder for clarity of disclosure;
 FIG. 8 is a another perspective view of a third element removed from the grinder;
 FIG. 9 is a front elevational view of a first element removed from the grinder;
 FIG. 10 is a top plan view of FIG. 9;
 FIG. 11 is a first perspective view of FIG. 9;
 FIG. 12 is a another perspective view of FIG. 9;
 FIG. 13 is a front elevational view of a second element removed from the grinder;
 FIG. 14 is a top plan view of FIG. 13;
 FIG. 15 is a first perspective view of FIG. 13;
 FIG. 16 is a another perspective view of FIG. 13;
 FIG. 17 is a front elevational view of a third element removed from the grinder;
 FIG. 18 is a top plan view of FIG. 17;
 FIG. 19 is a first perspective view of FIG. 17;
 FIG. 20 is a another perspective view of FIG. 17;
 FIG. 21 is a front elevational view of a fourth element removed from the grinder;
 FIG. 22 is a top plan view of FIG. 21;
 FIG. 23 is a first perspective view of FIG. 21; and,
 FIG. 24 is a another perspective view of FIG. 21.
 The broken lines illustrate portions of the environment structure which forms no part of the claimed design.

1 Claim, 24 Drawing Sheets



(56)

References Cited

U.S. PATENT DOCUMENTS

9,198,541	B2 *	12/2015	Smith	A47J 43/25
D804,093	S	11/2017	Chen	
D809,880	S	2/2018	Perkail	
D813,618	S	3/2018	Witko et al.	
D814,251	S	4/2018	Millier et al.	
10,039,418	B2 *	8/2018	Staiano	A47J 42/00
D862,537	S	10/2019	Ronald et al.	
D874,886	S	2/2020	Breneman	
2013/0214068	A1 *	8/2013	Camitta	B02C 18/24 241/25
2017/0164786	A1 *	6/2017	Camitta	A24B 7/06
2018/0271328	A1 *	9/2018	Petrossian	A47J 42/24
2018/0303289	A1 *	10/2018	Varga	A47J 42/26

* cited by examiner

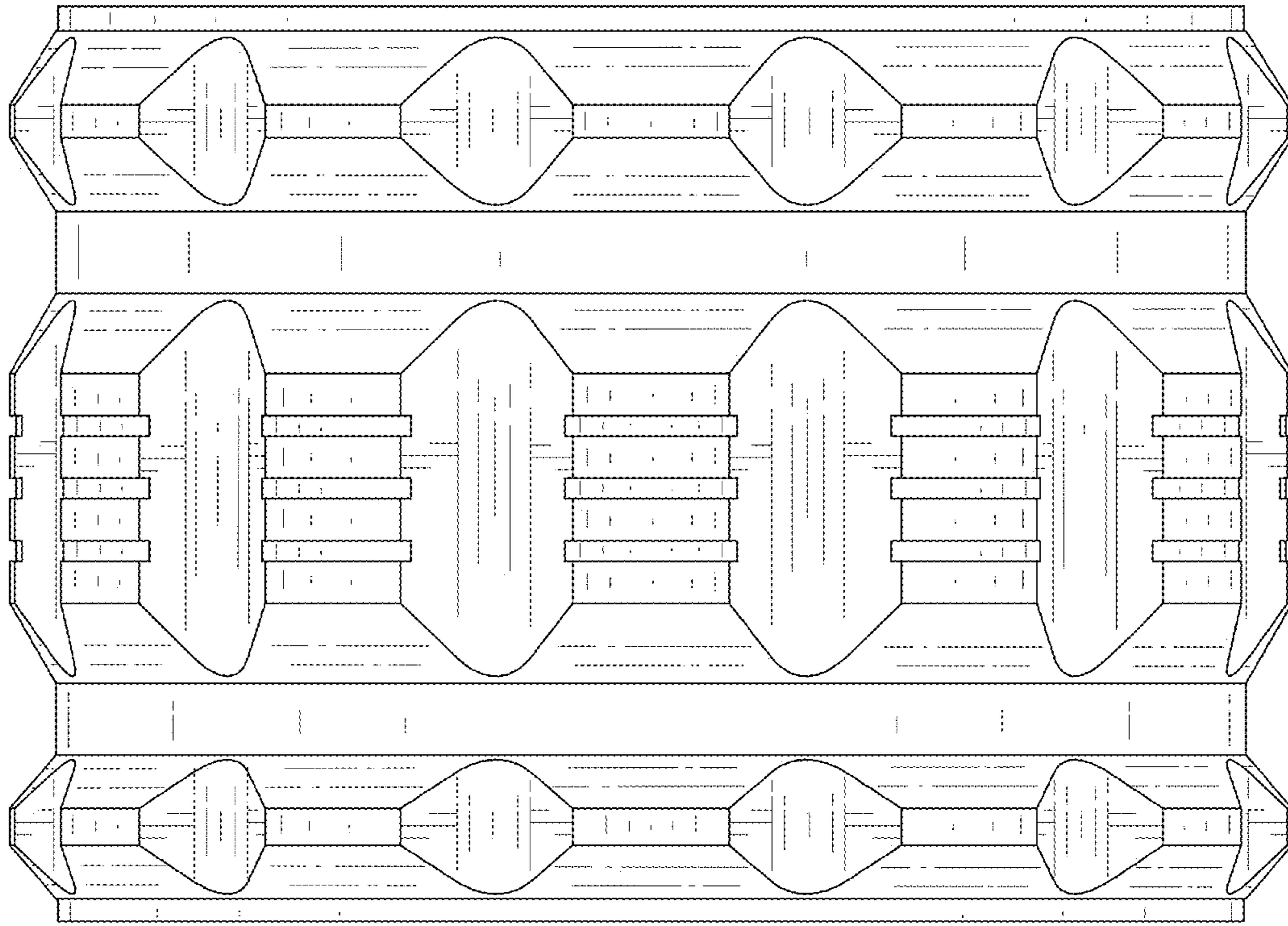


Fig. 1

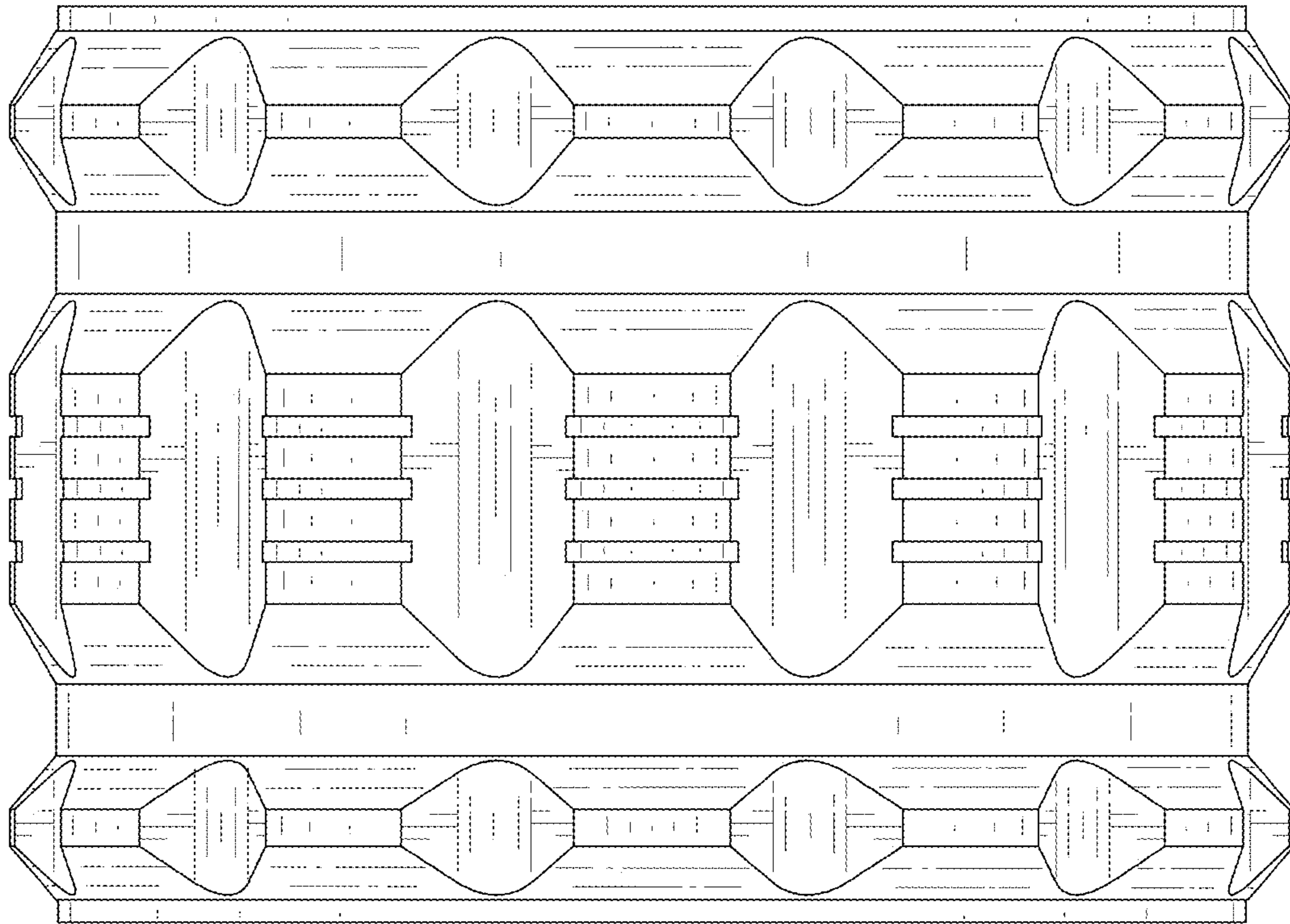


Fig. 2

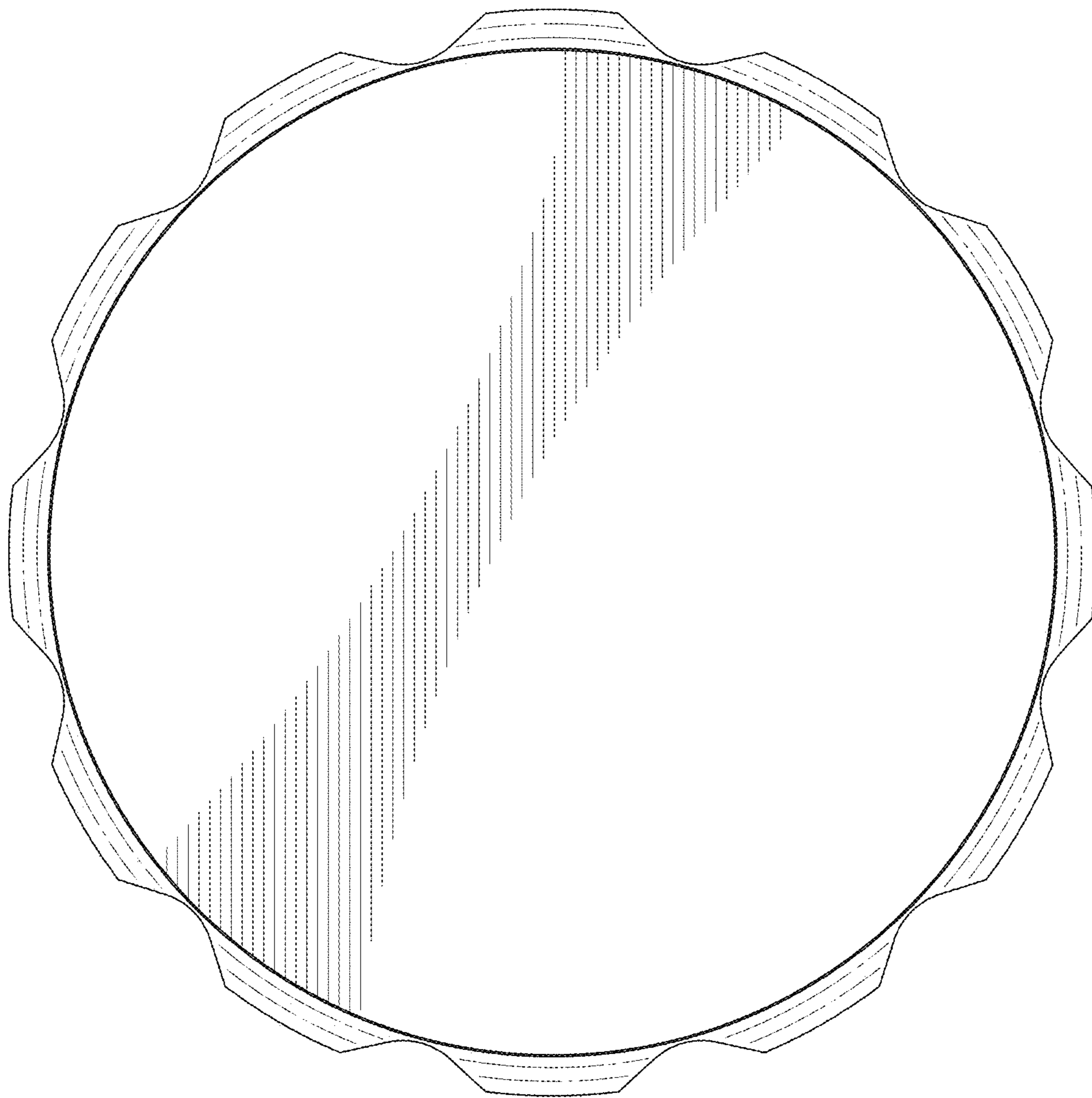


Fig. 3

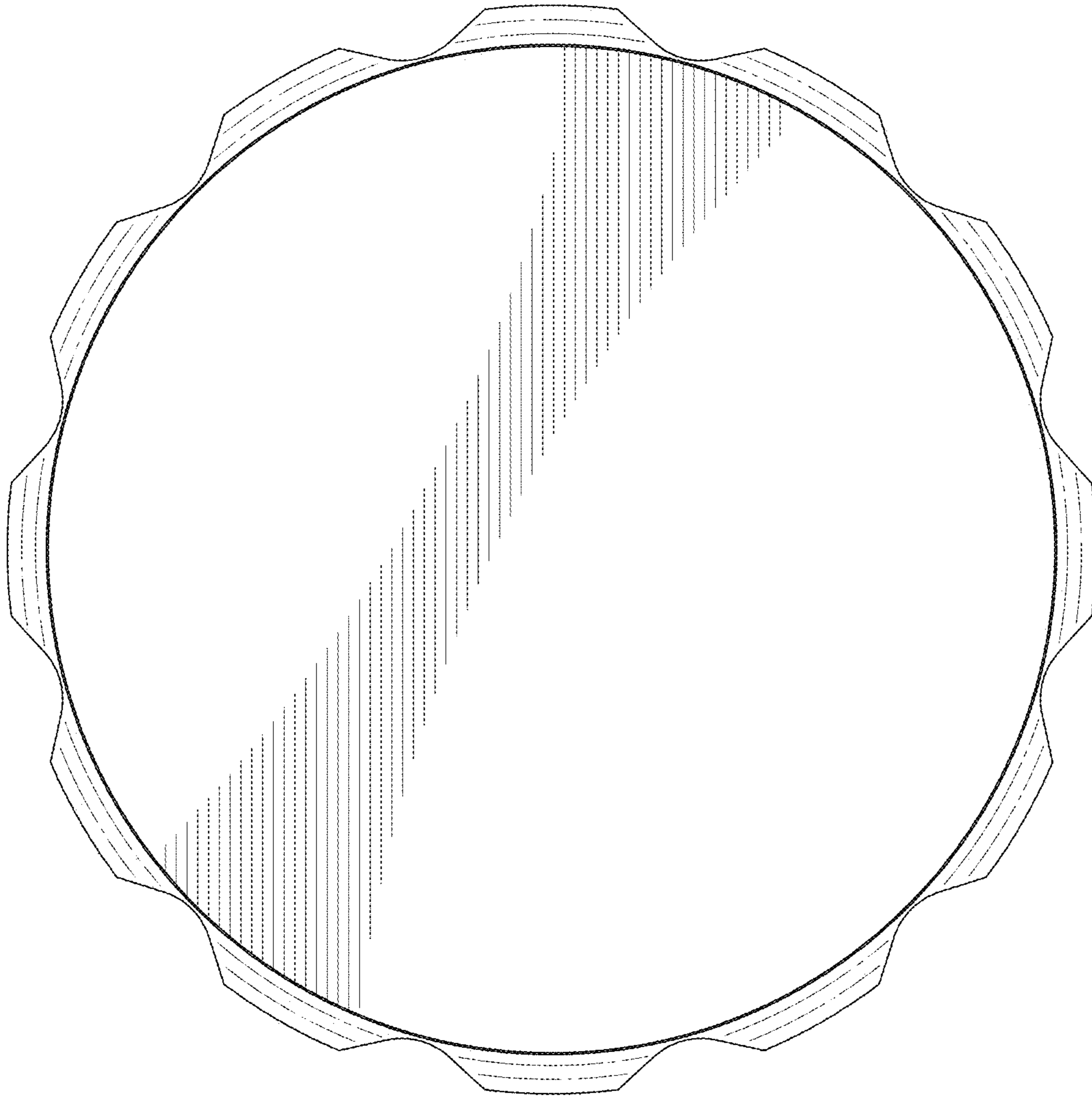


Fig.4

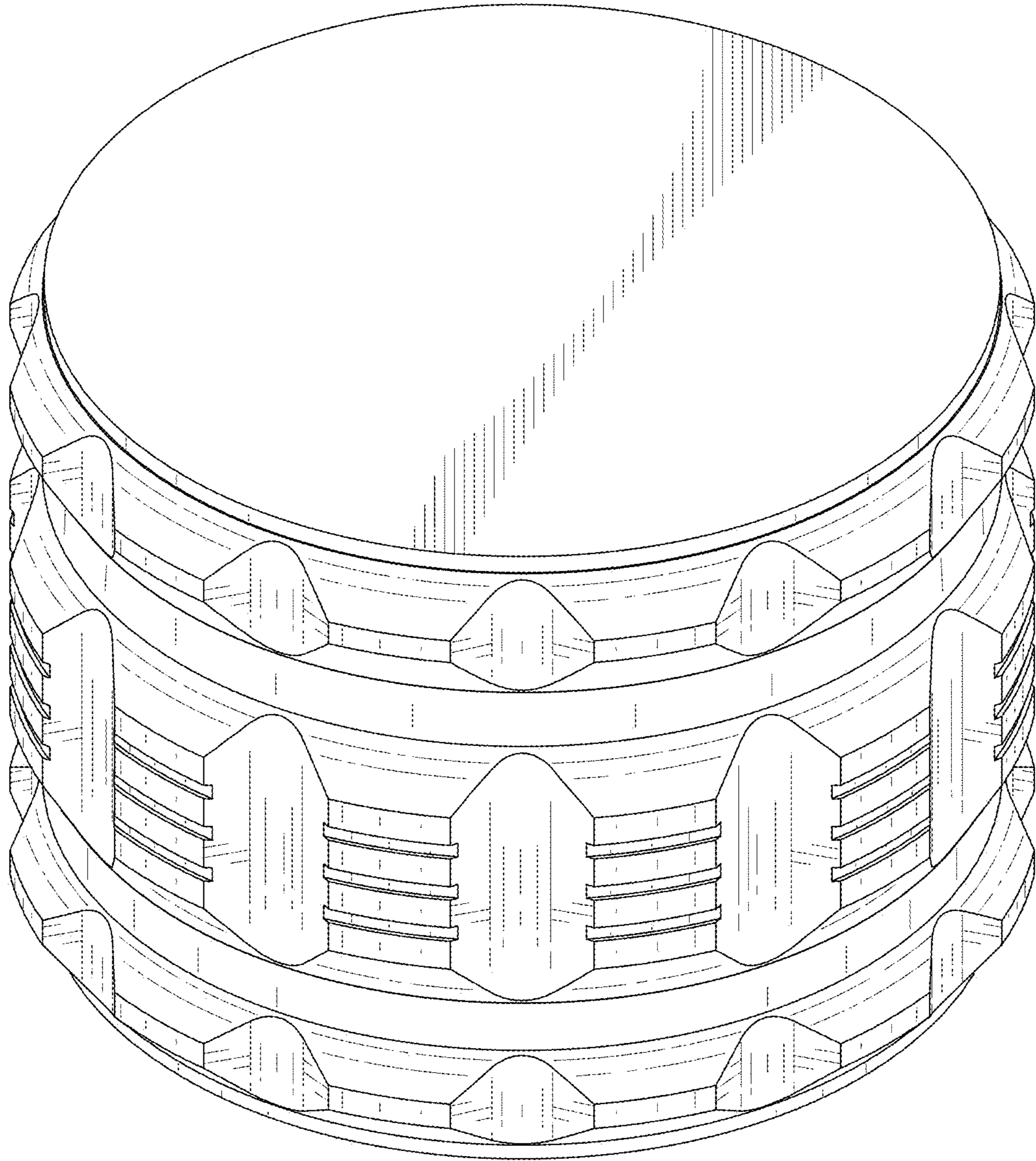


Fig. 5

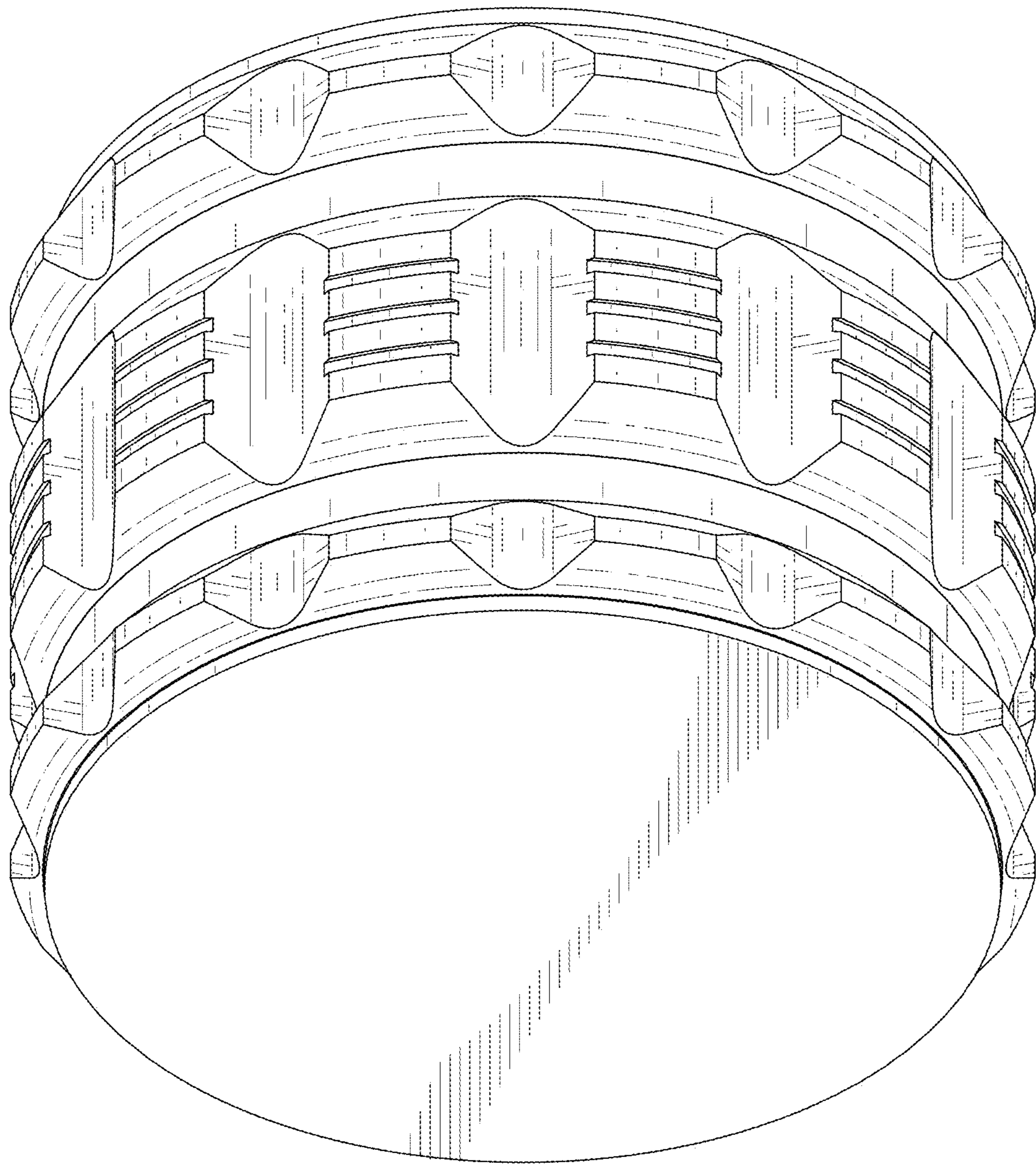


Fig. 6

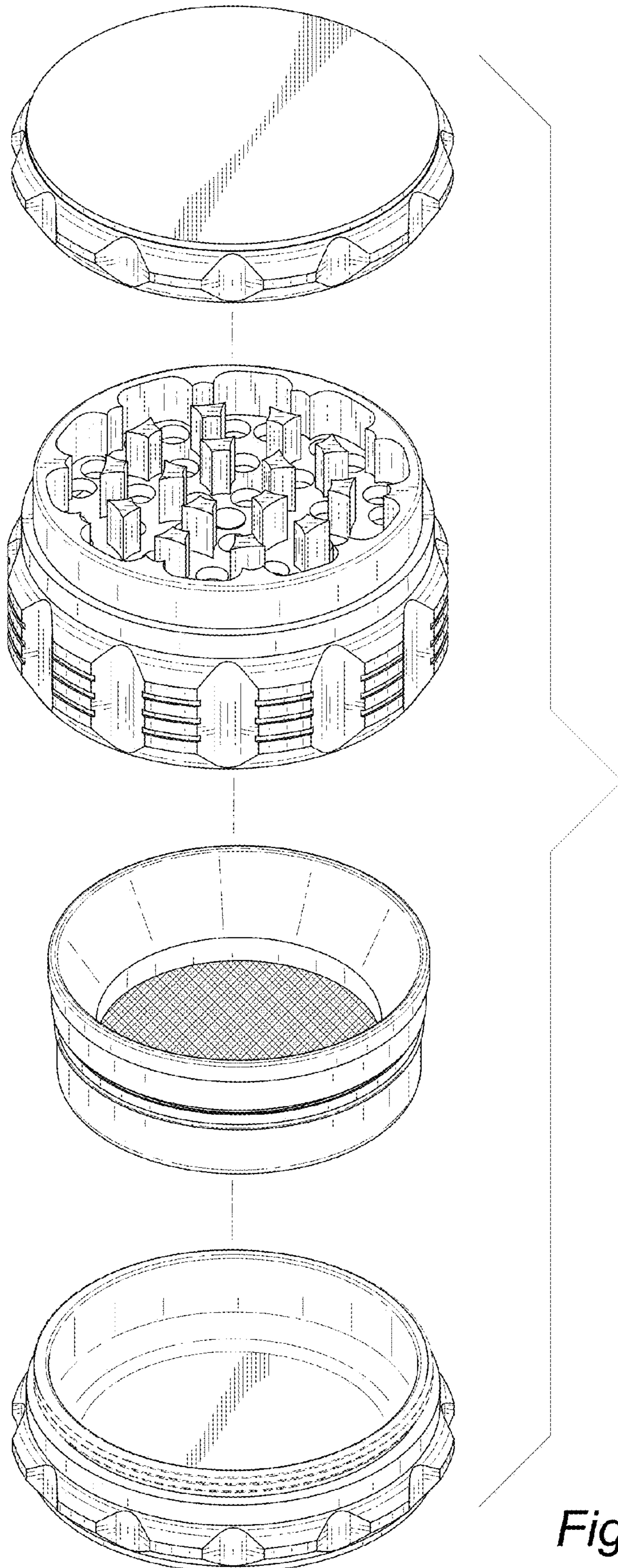


Fig. 7

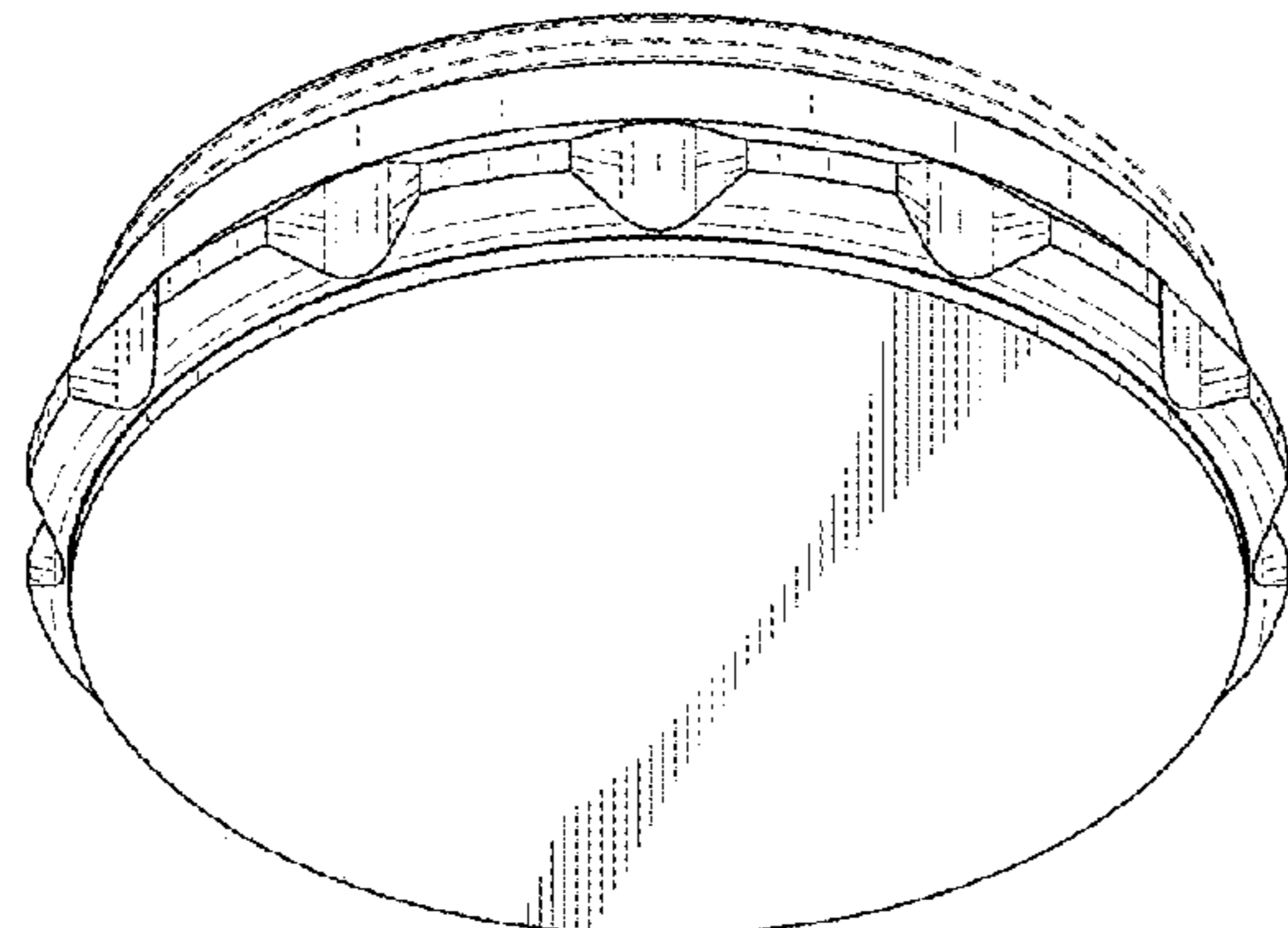
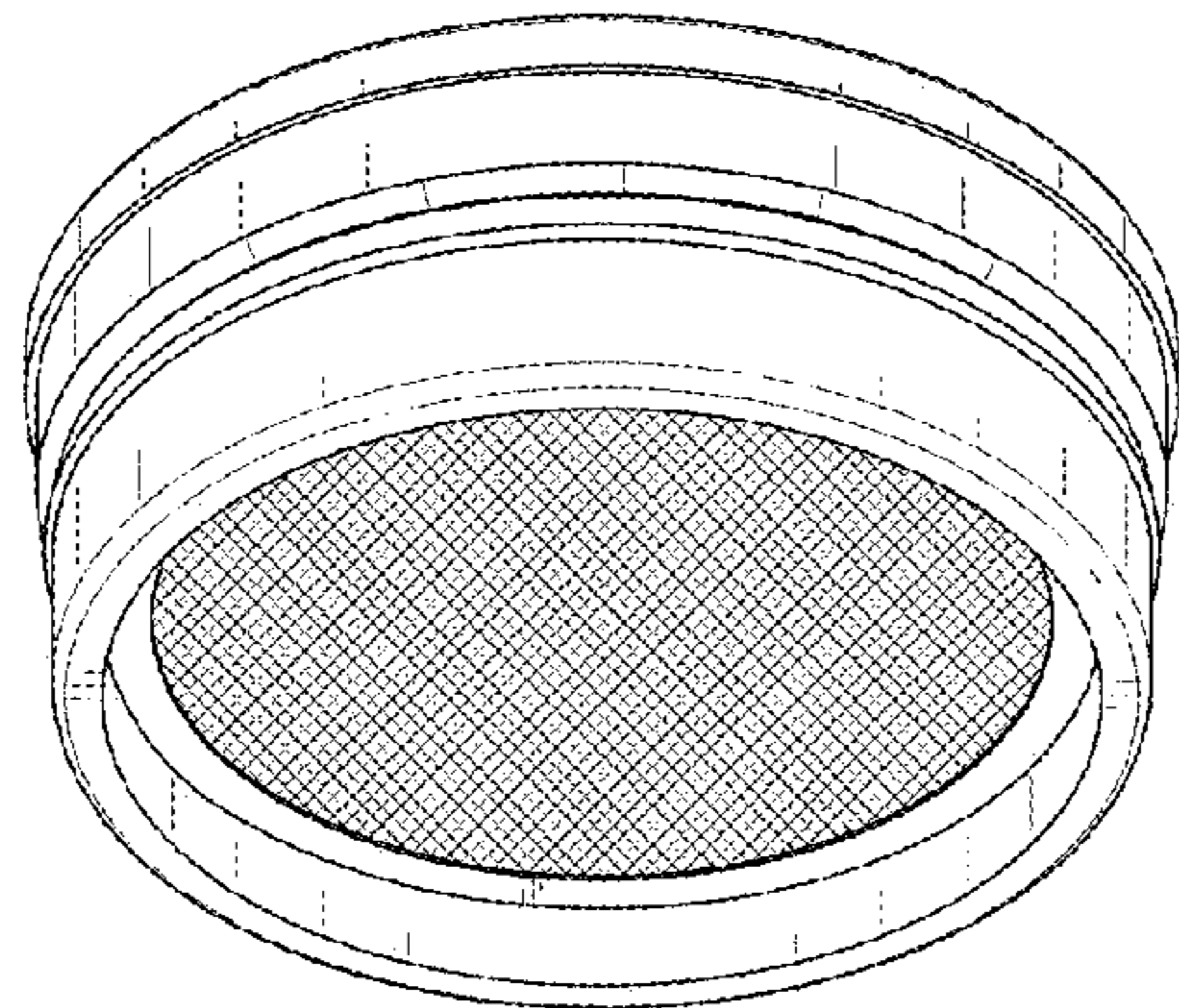
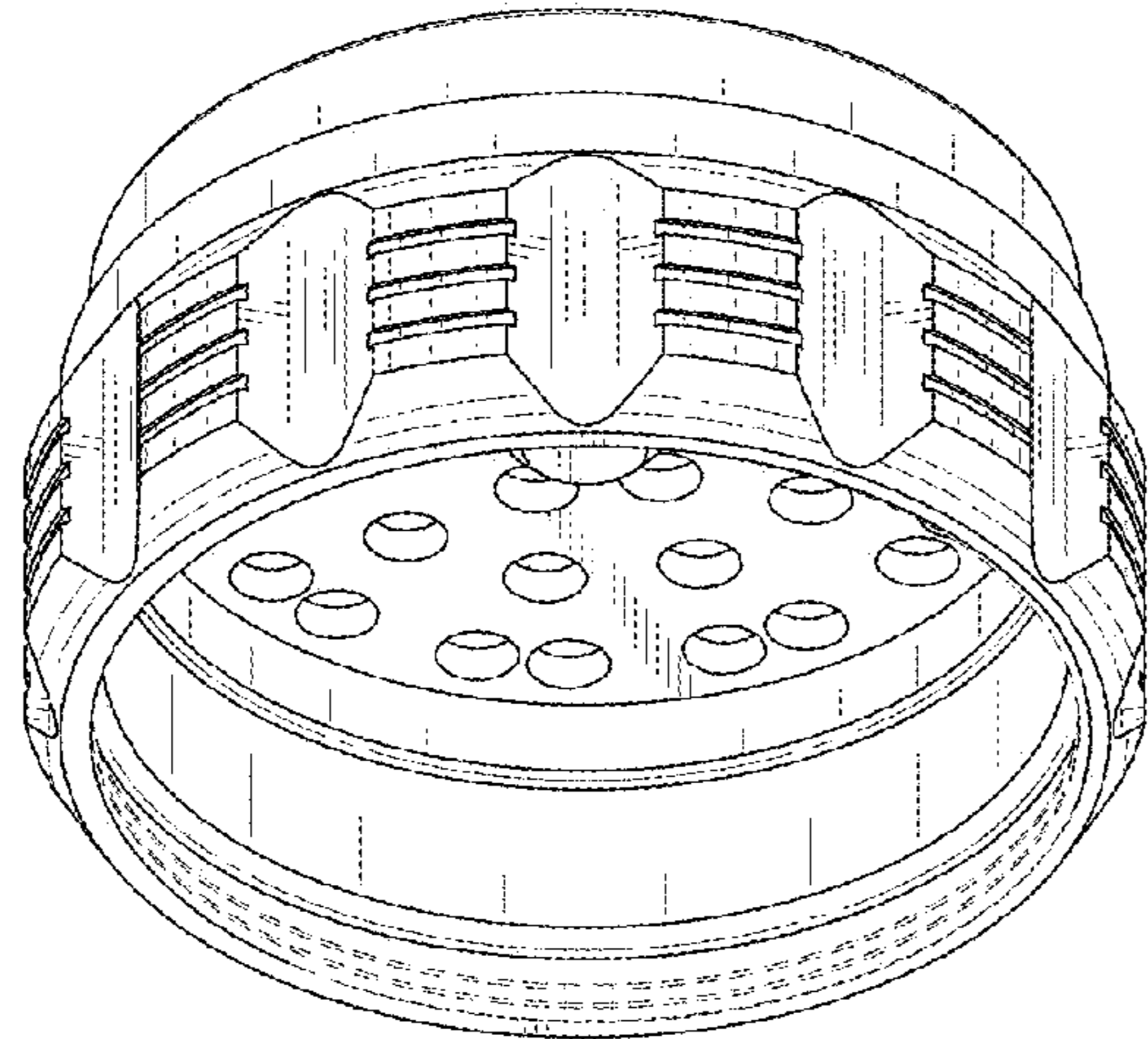
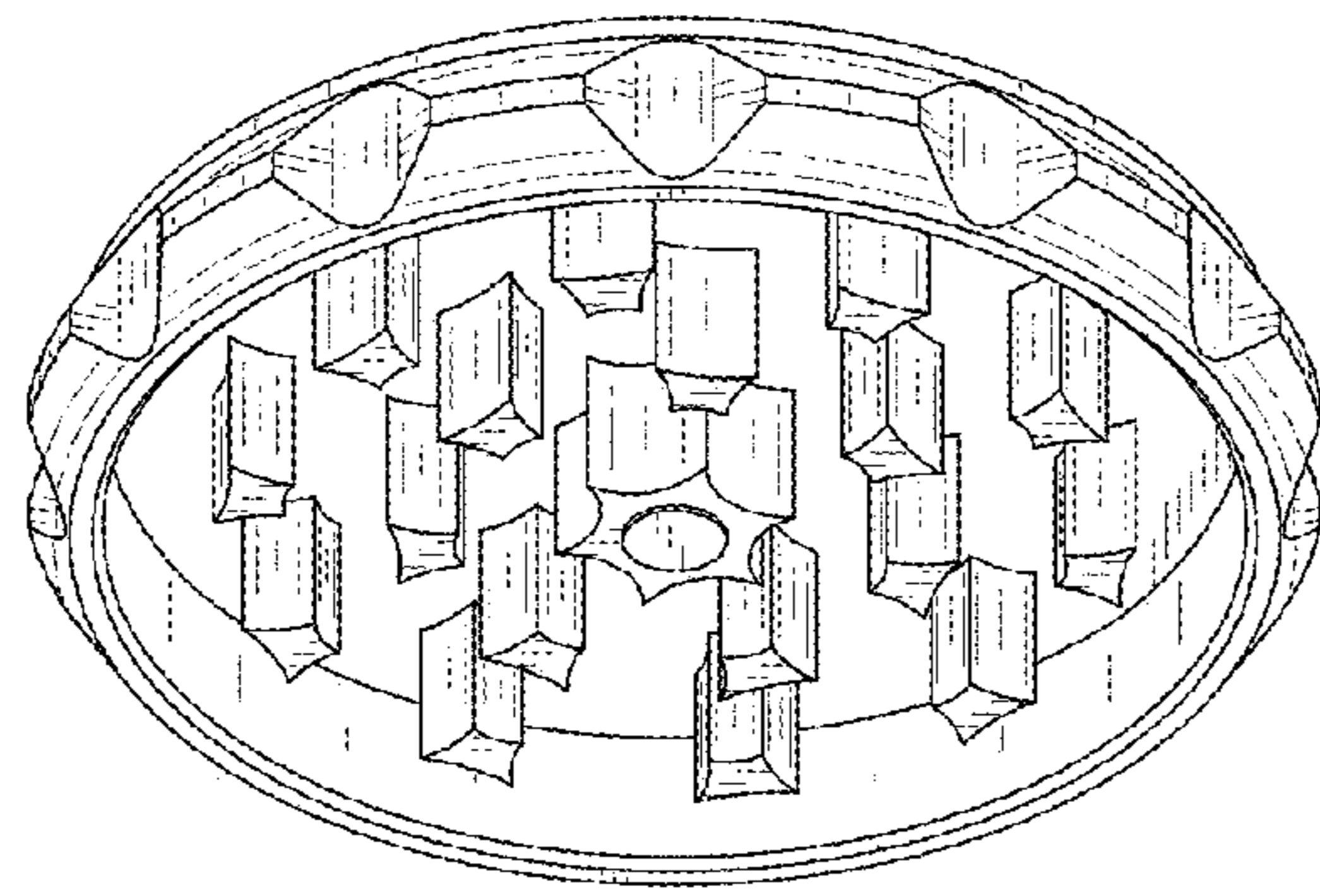


Fig. 8

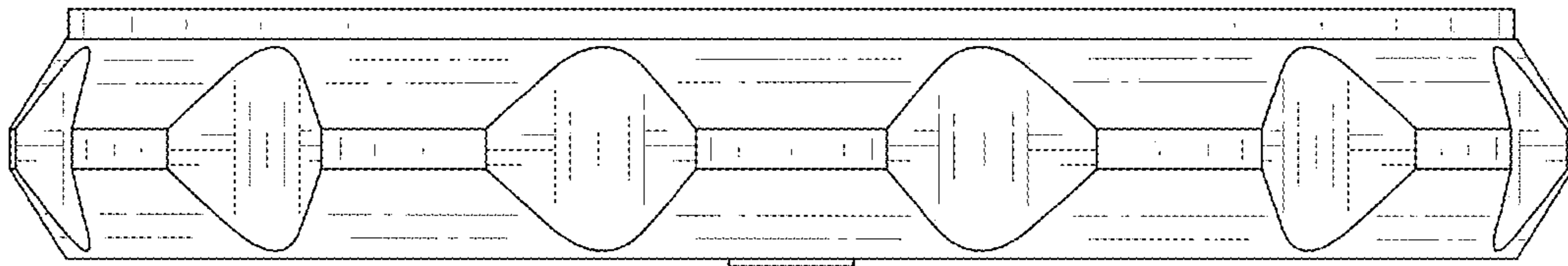


Fig.9

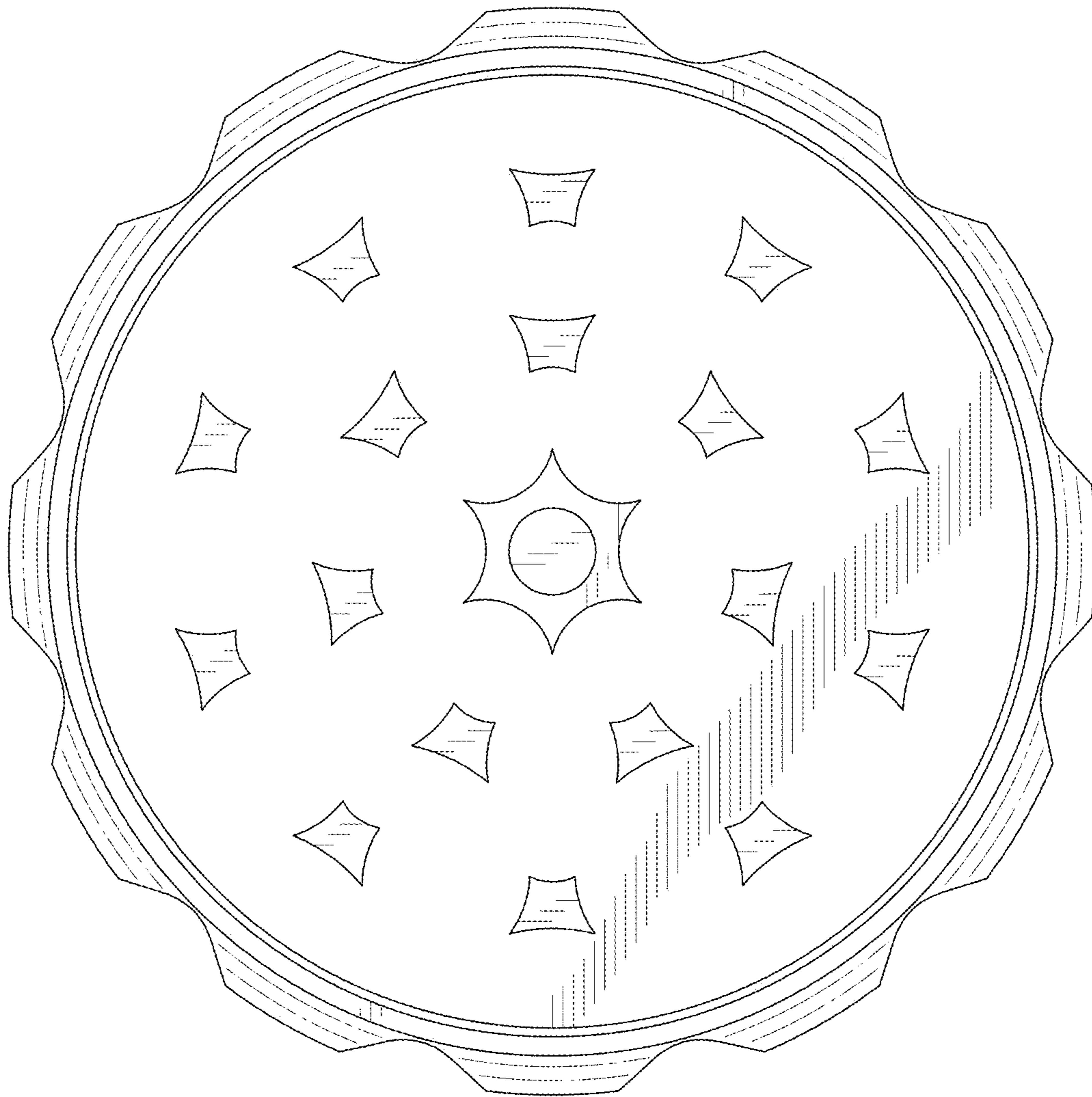


Fig. 10

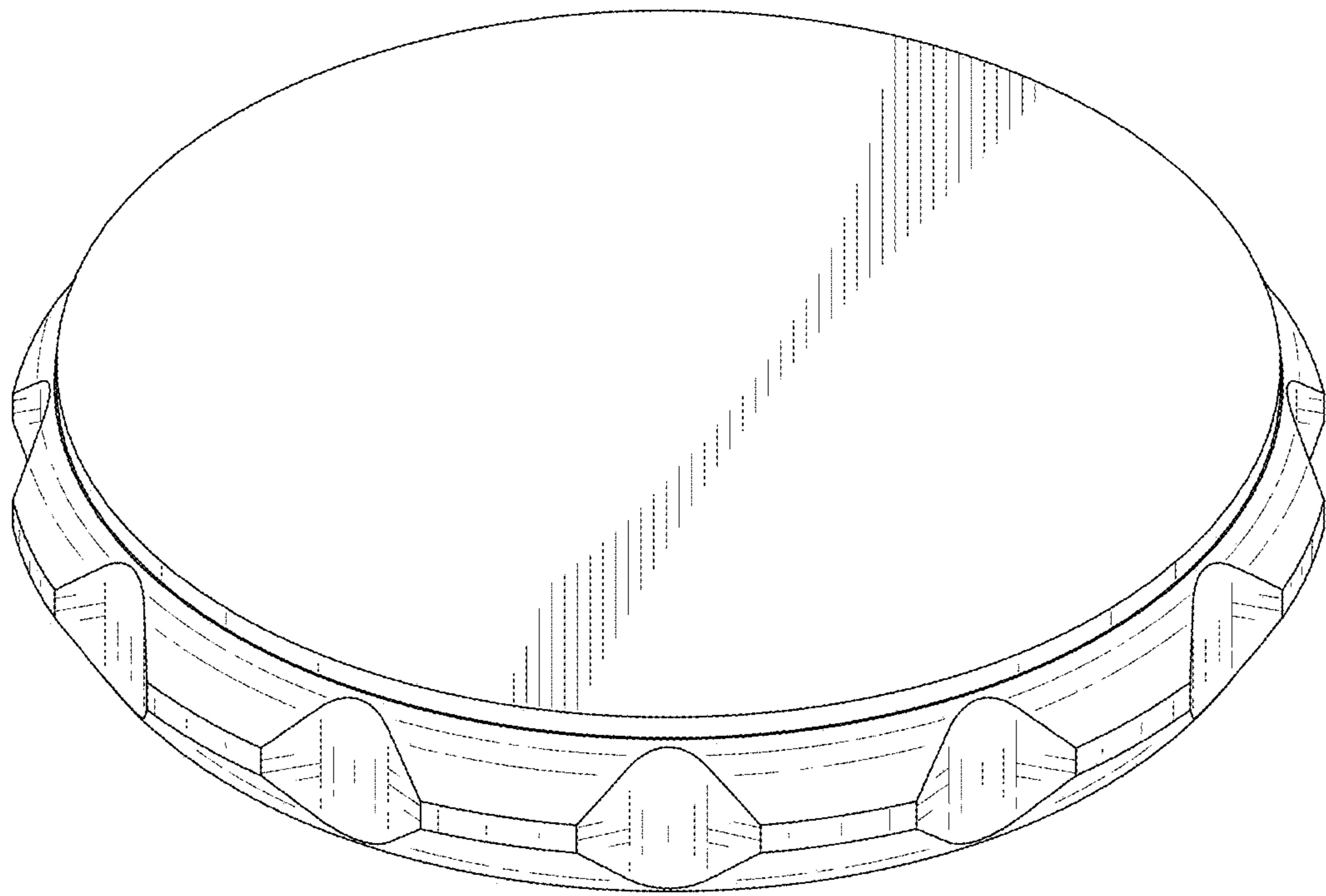


Fig. 11

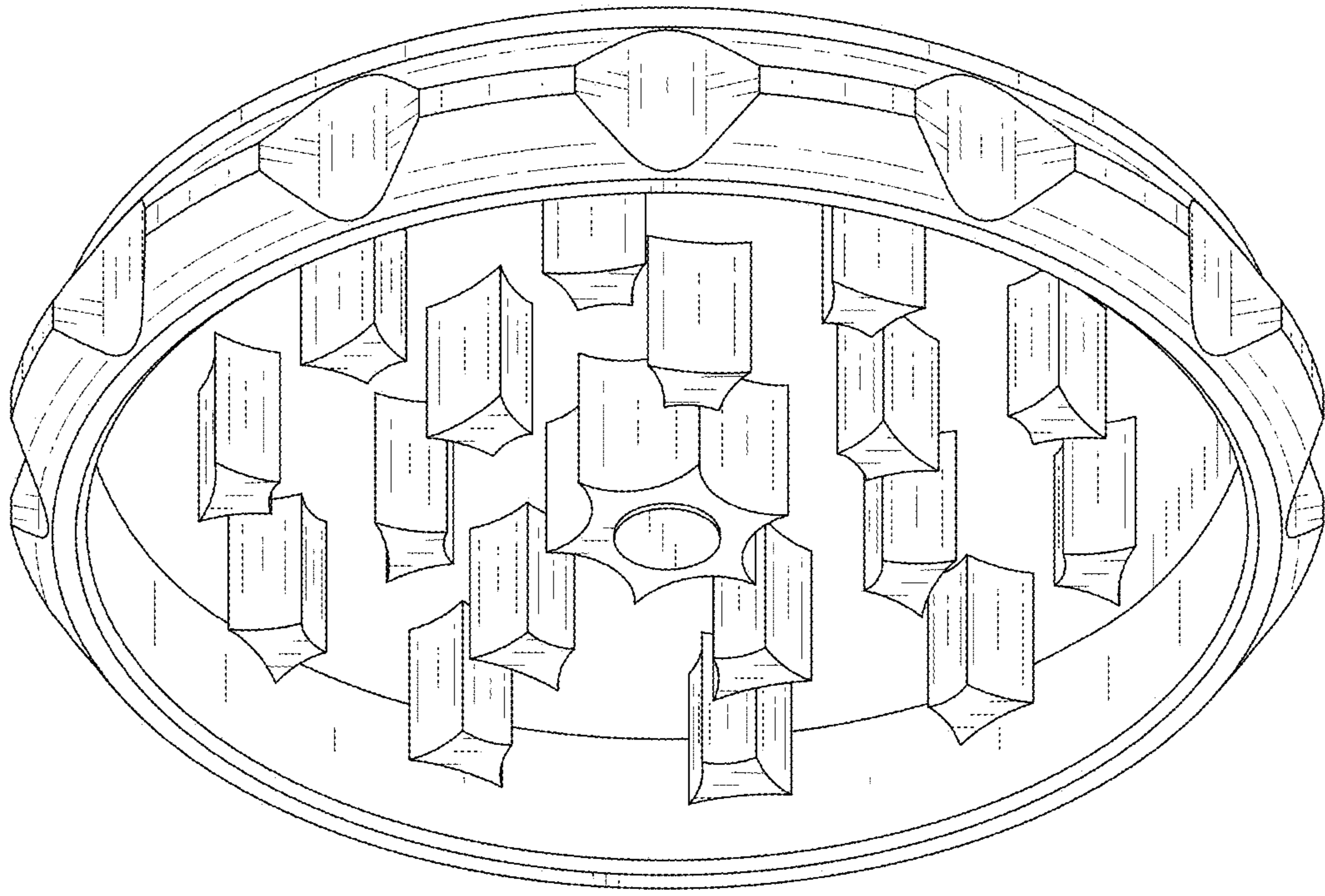


Fig. 12

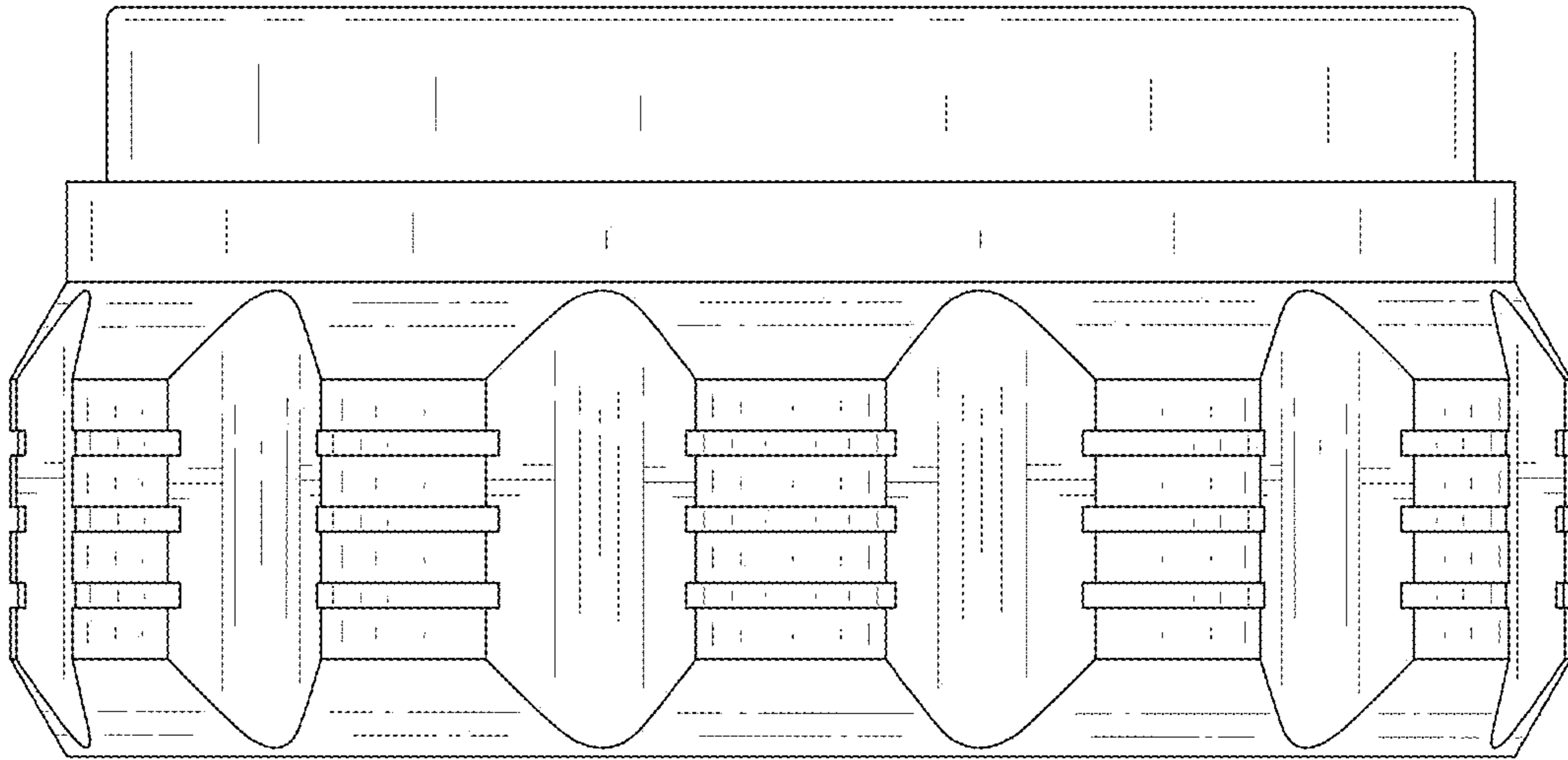


Fig. 13

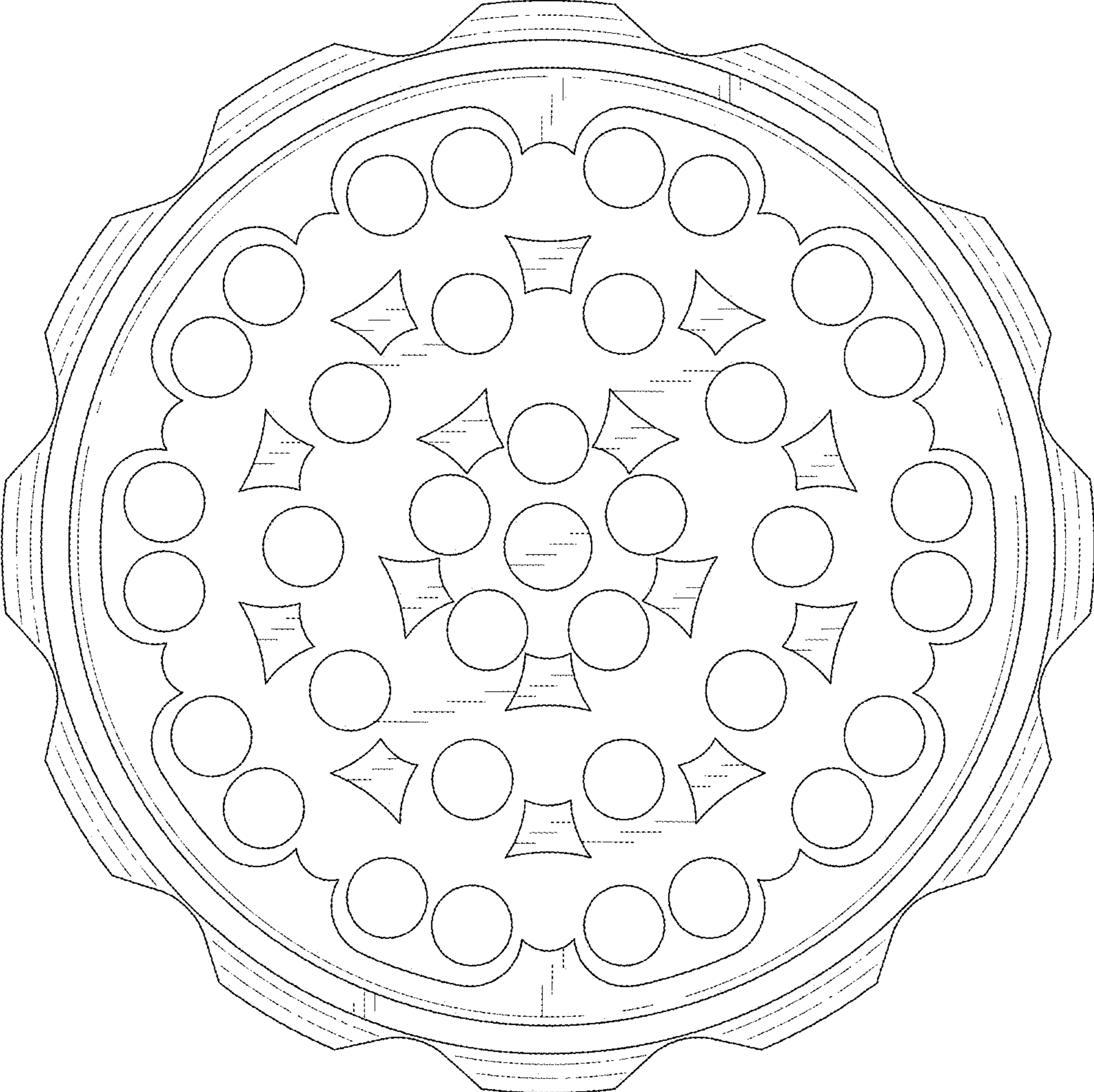


Fig. 14

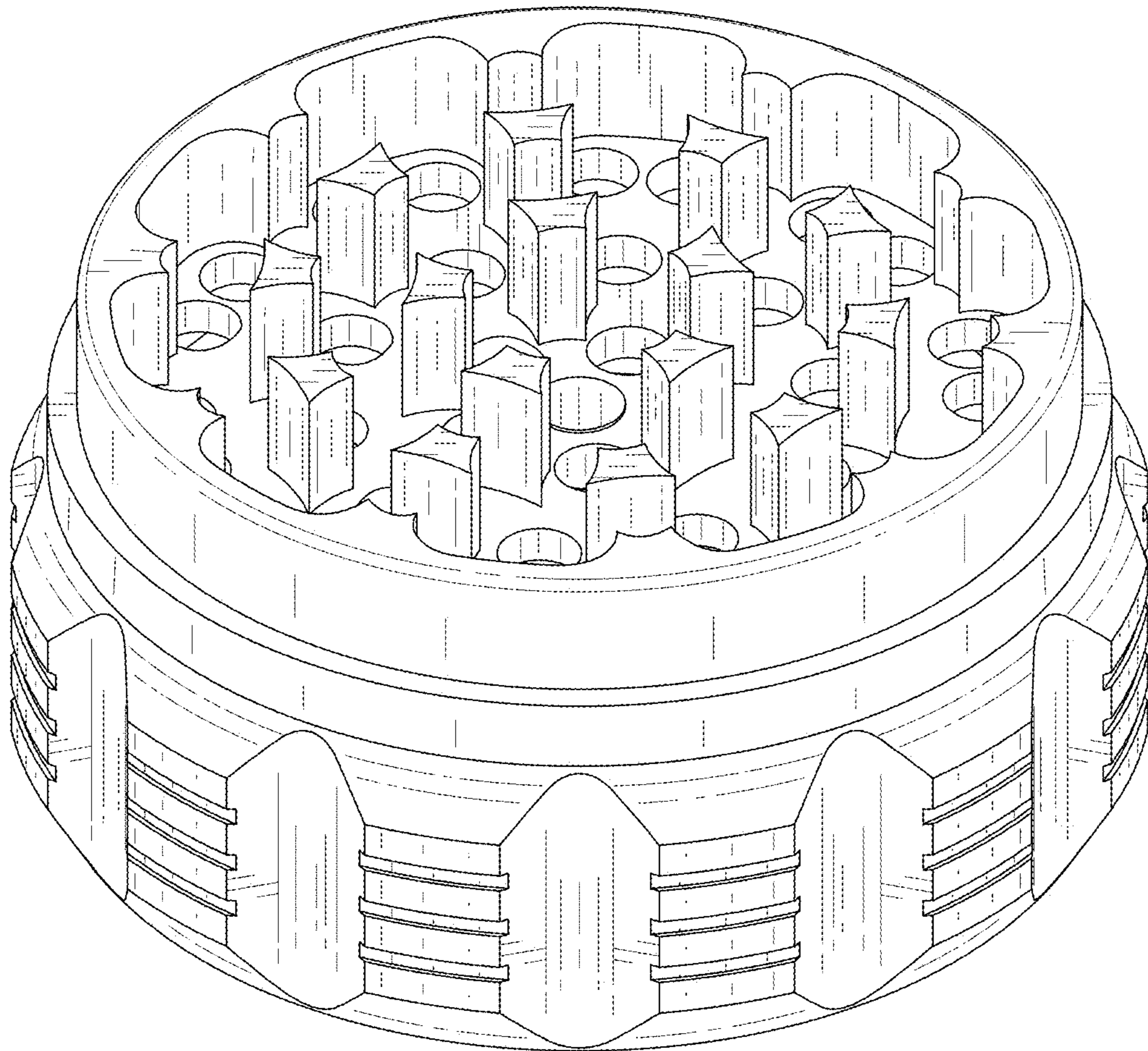


Fig. 15

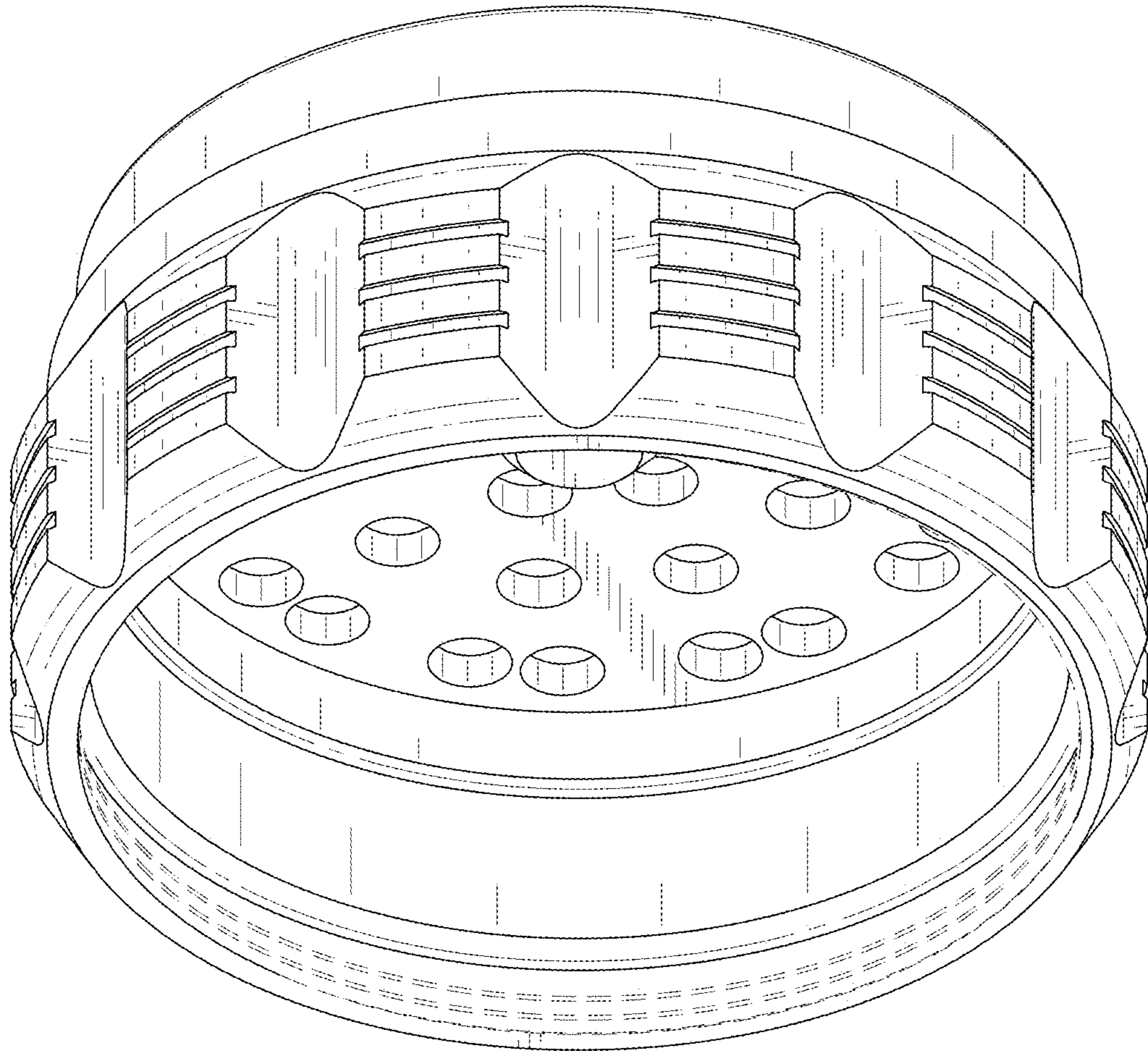


Fig. 16

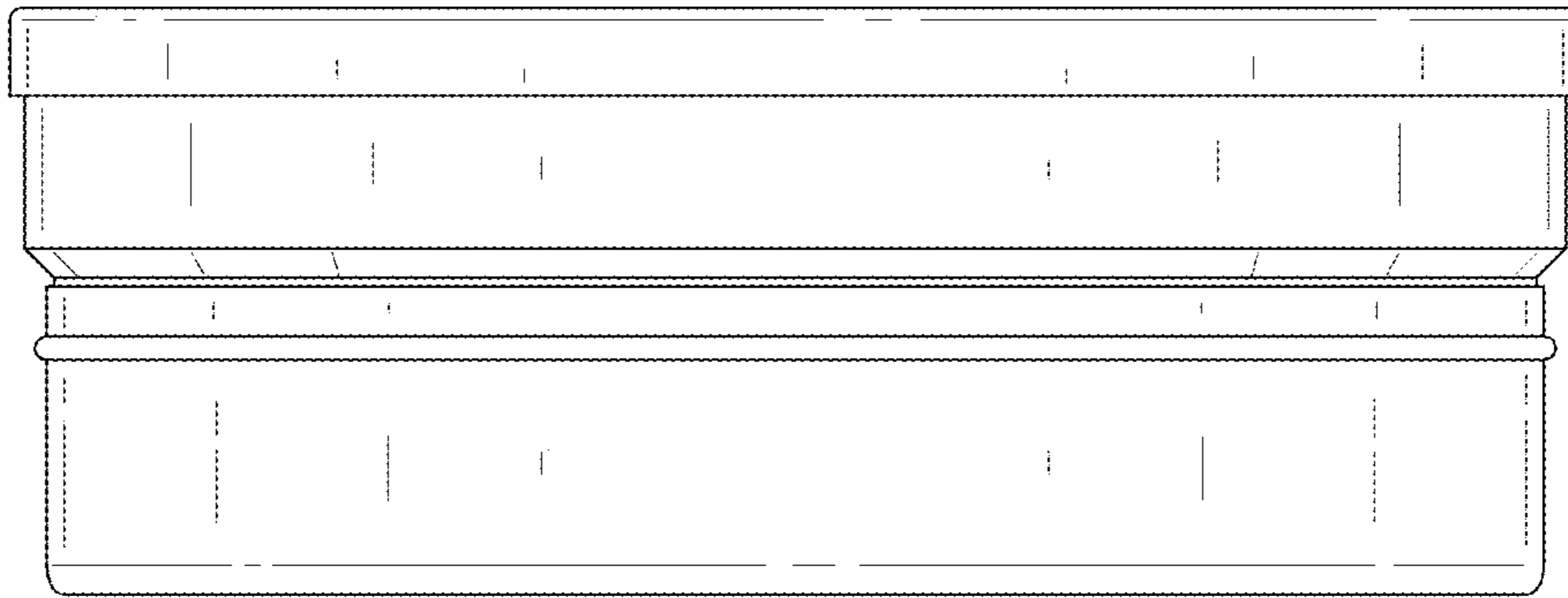


Fig. 17

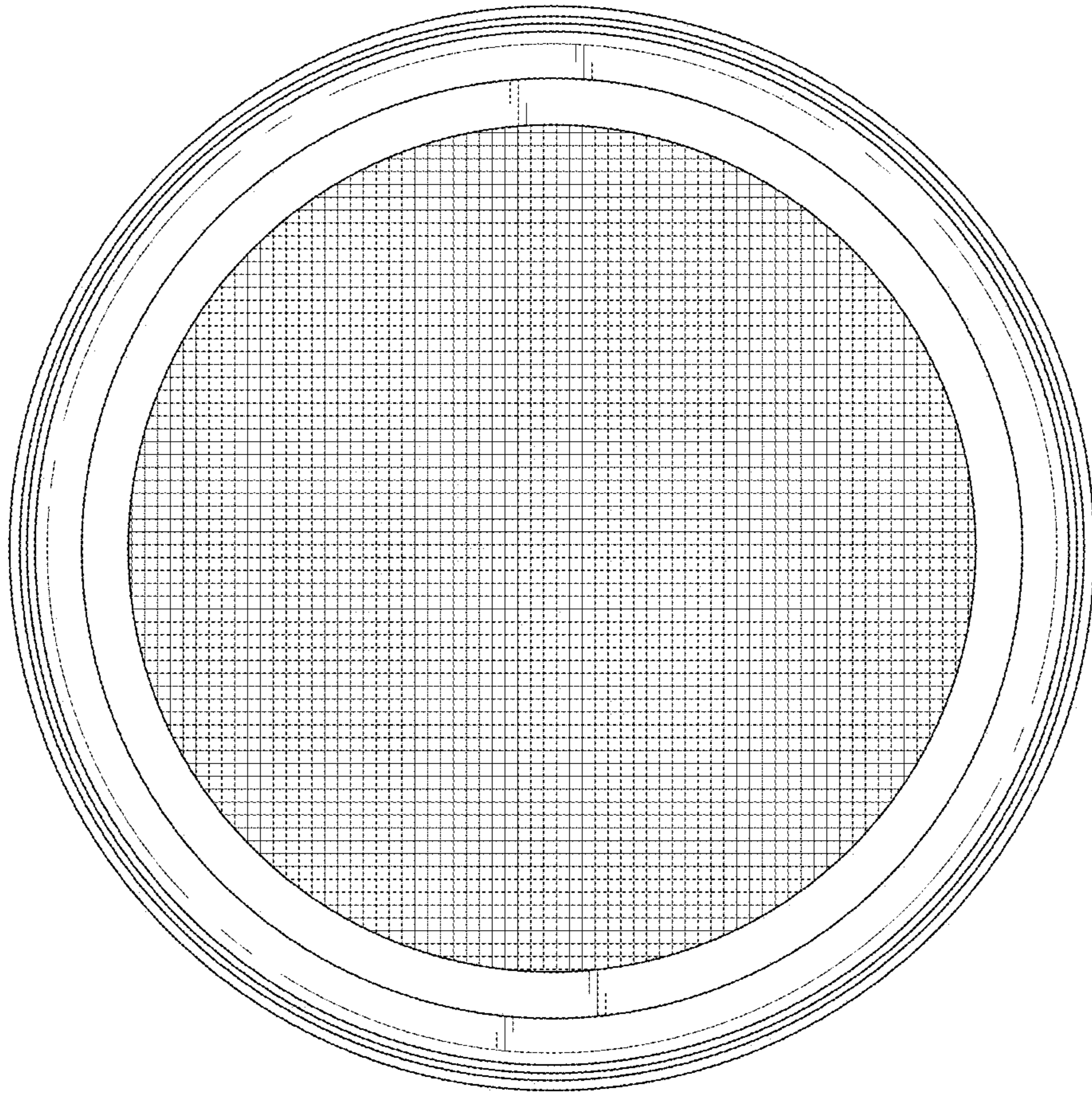


Fig. 18

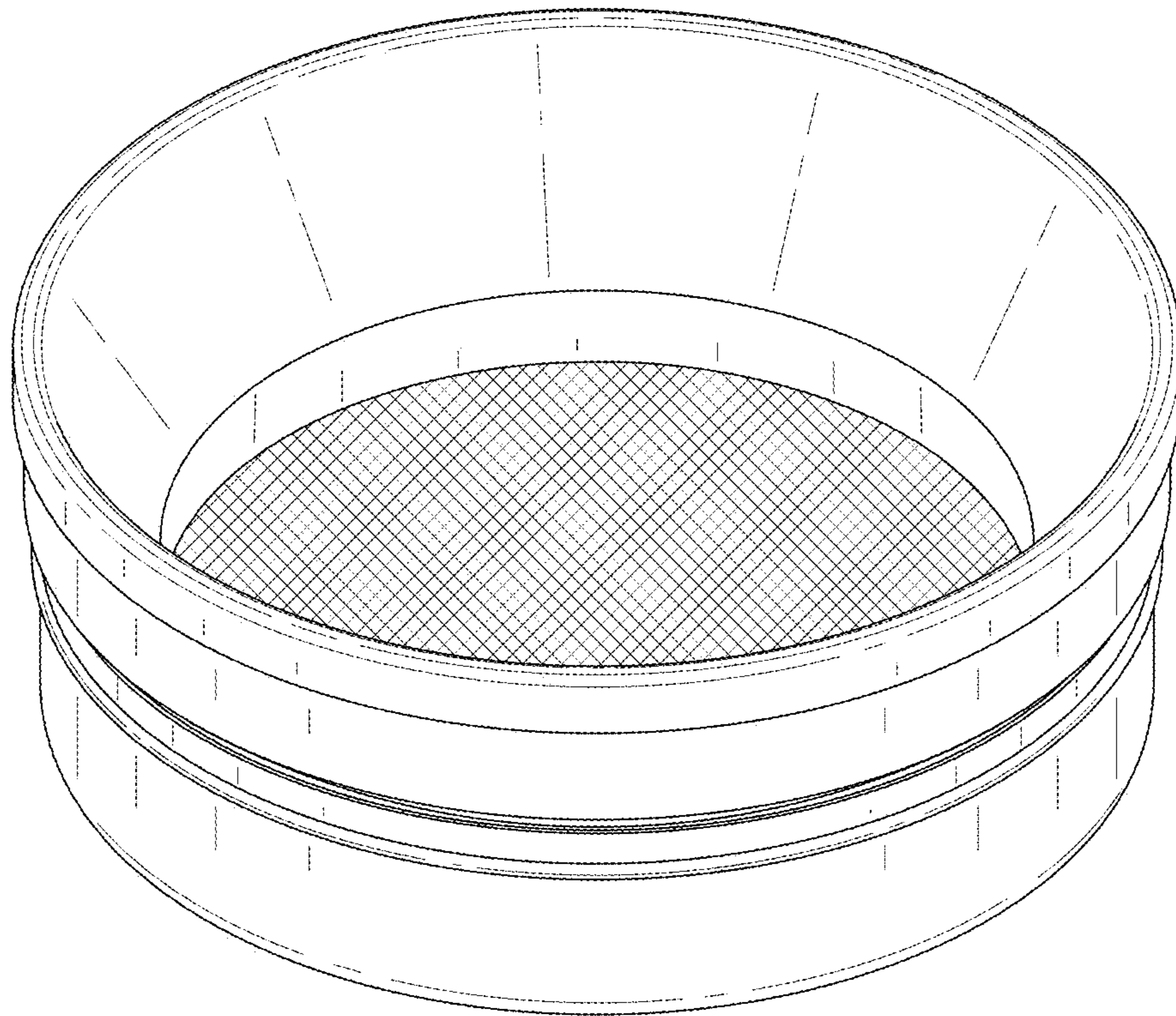


Fig. 19

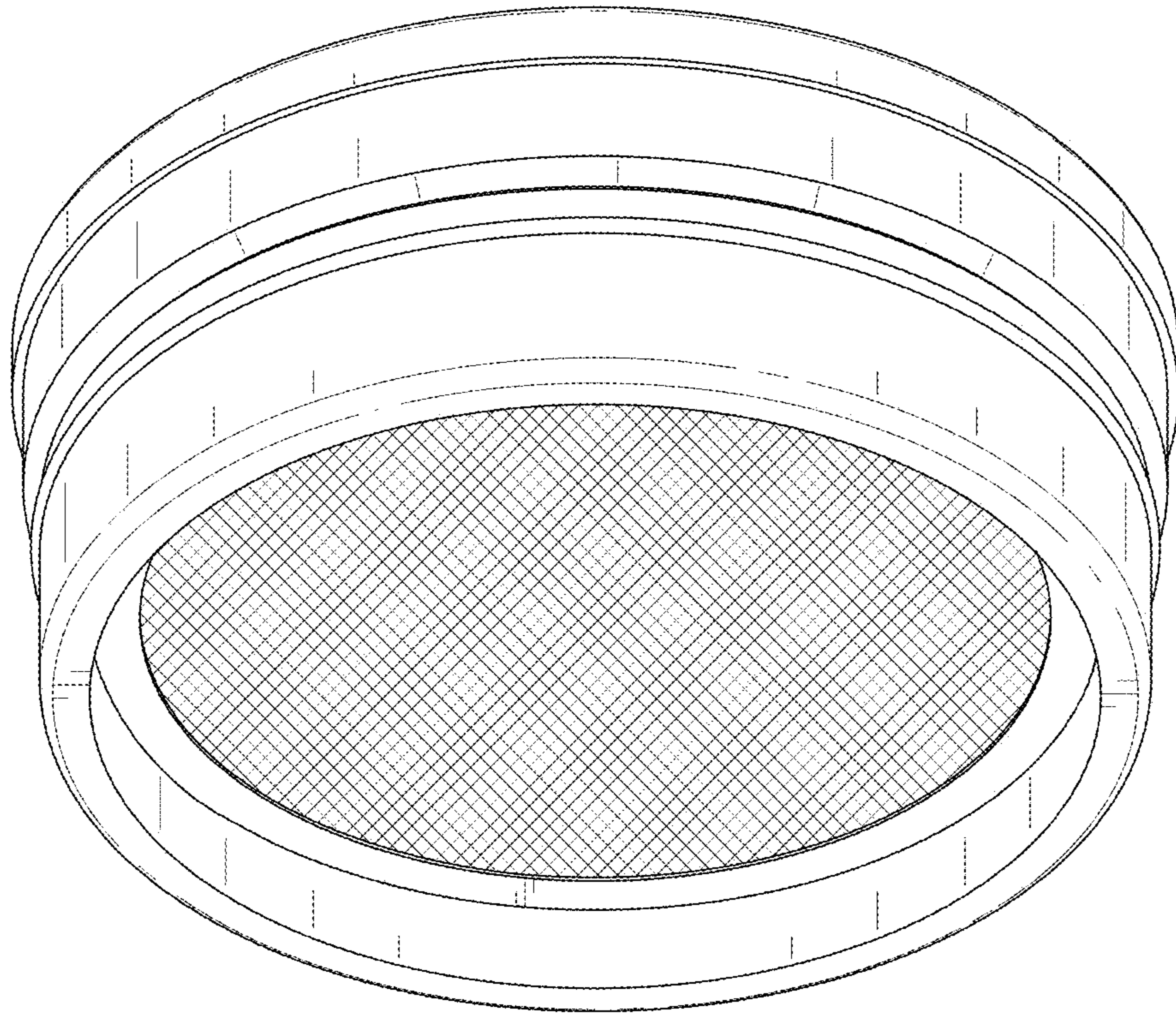


Fig. 20

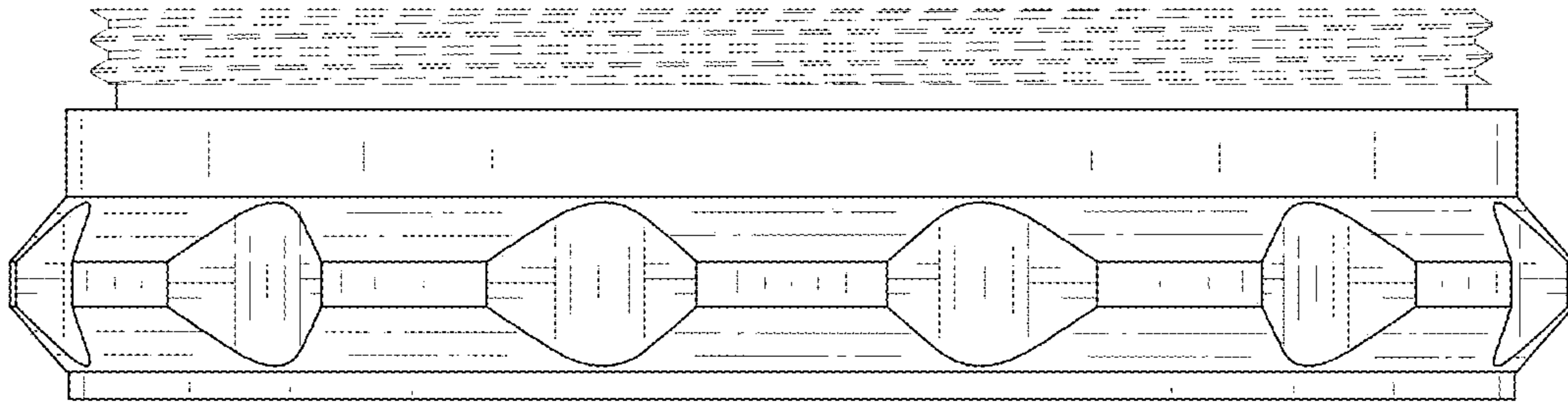


Fig.21

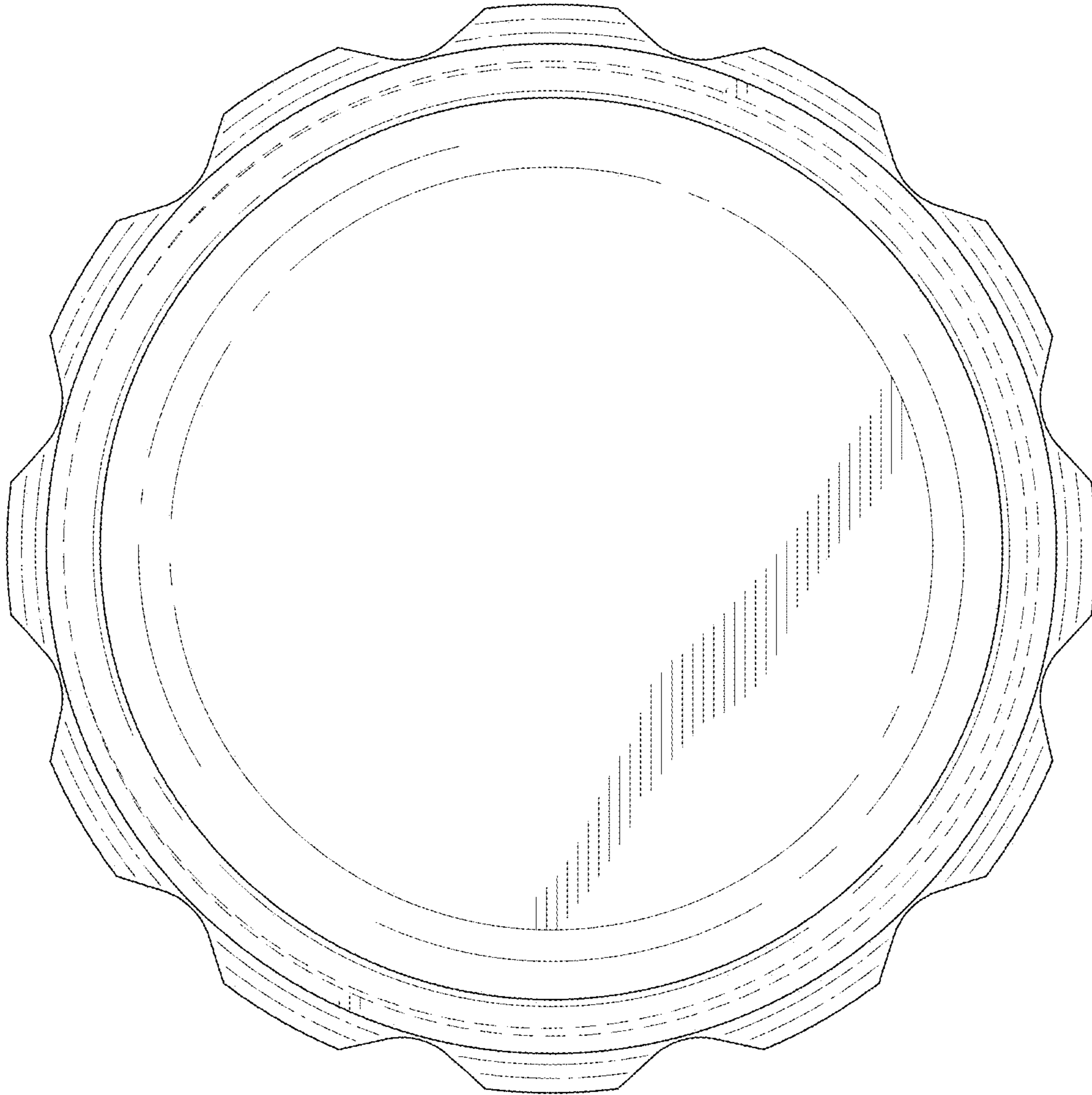


Fig. 22

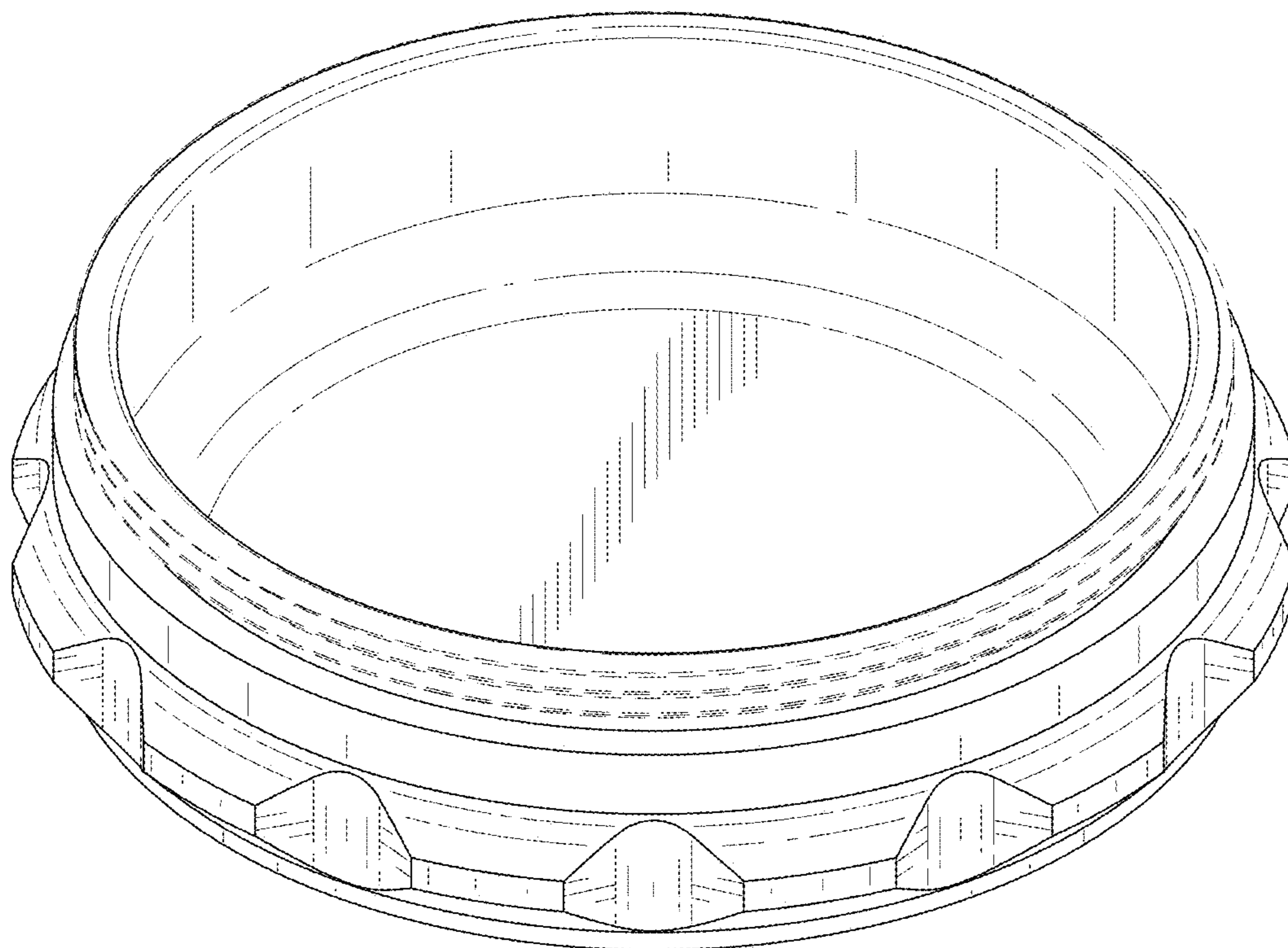


Fig. 23

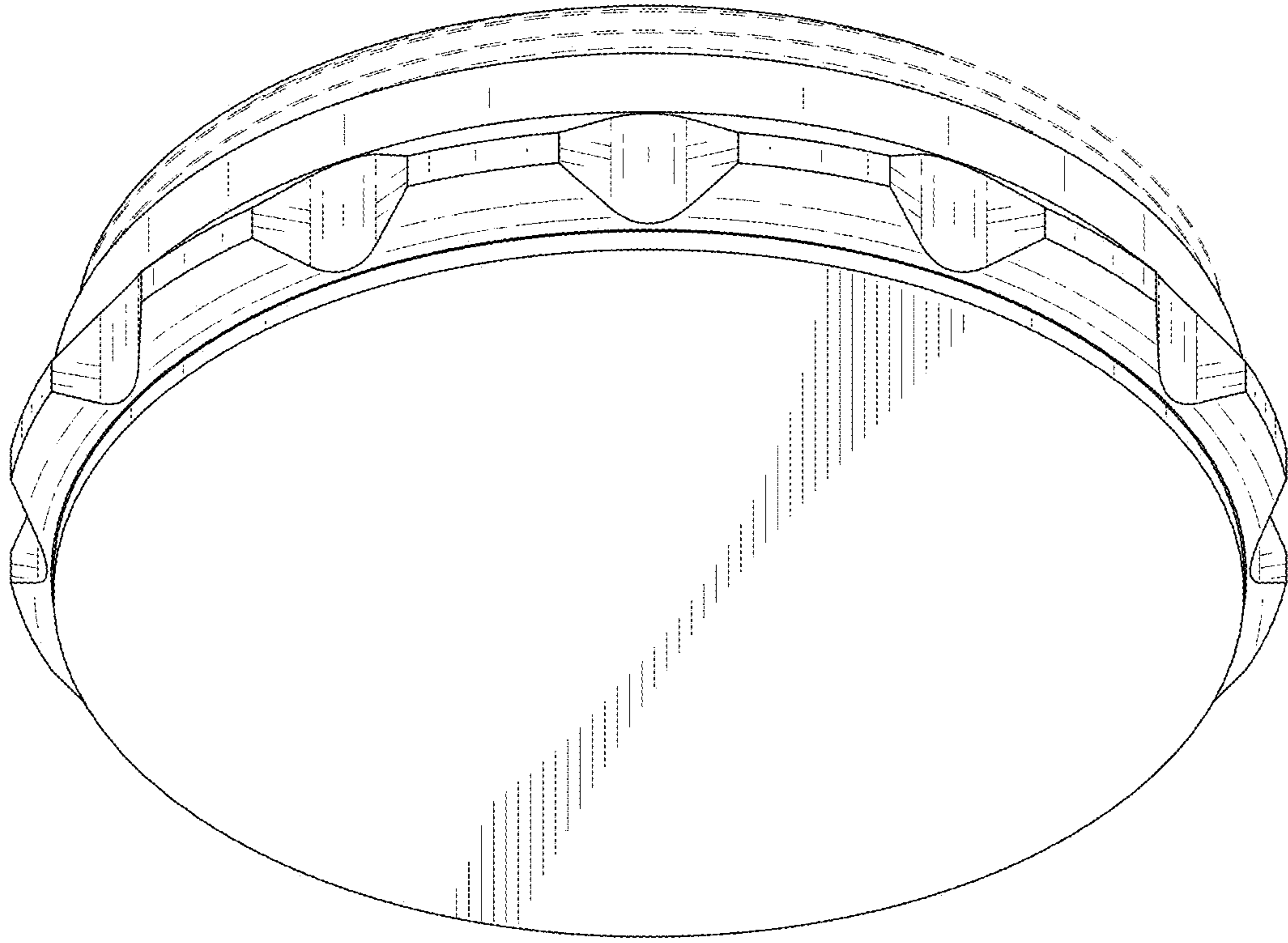


Fig.24