



US00D923867S

(12) **United States Design Patent**
Liu et al.

(10) **Patent No.:** **US D923,867 S**
(45) **Date of Patent:** **** Jun. 29, 2021**

(54) **ATOMIZER FOR AN ELECTRONIC CIGARETTE**

FOREIGN PATENT DOCUMENTS

(71) Applicant: **Shenzhen Smoore Technology Limited**, Guandong (CN)

CN 304626326 * 5/2018
CN 304644567 * 5/2018

(Continued)

(72) Inventors: **Yu Liu**, Guandong (CN); **You Shi**, Guandong (CN)

Primary Examiner — Dana K Weiland
Assistant Examiner — Mary Claire Ramirez

(73) Assignee: **SHENZHEN SMOORE TECHNOLOGY LIMITED**, Shenzhen (CN)

(57) **CLAIM**

The ornamental design for an atomizer for an electronic cigarette, as shown and described.

(**) Term: **15 Years**

DESCRIPTION

(21) Appl. No.: **29/684,985**

(22) Filed: **Mar. 25, 2019**

(30) **Foreign Application Priority Data**

Oct. 24, 2018 (CN) 201830595151.5

(51) **LOC (13) Cl.** **27-02**

(52) **U.S. Cl.**
USPC **D27/167**

(58) **Field of Classification Search**

USPC D27/162, 100, 101, 139, 141, 148,
D27/161-171, 183, 185-193, 194;
D24/110, 110.5, 129, 113, 112; D13/108,
D13/144, 103, 119, 146, 168; D23/360,
D23/364-366, 202, 262, 209, 207;
D19/66, 73, 115, 123, 173, 177, 923,
(Continued)

FIG. 1 is a perspective view of an atomizer for an electronic cigarette according to a first embodiment; FIG. 2 is a front elevational view thereof; FIG. 3 is a rear elevational view thereof; FIG. 4 is a left side elevational view thereof; FIG. 5 is a right side elevational view thereof; FIG. 6 is a top plan view thereof; FIG. 7 is a bottom plan view thereof; FIG. 8 is a perspective view of the atomizer for an electronic cigarette according to a second embodiment; FIG. 9 is a front elevational view thereof; FIG. 10 is a rear elevational view thereof; FIG. 11 is a left side elevational view thereof; FIG. 12 is a right side elevational view thereof; FIG. 13 is a top plan view thereof; and, FIG. 14 is a bottom plan view thereof.

The oblique shade lines in the figures indicate transparency. The broken lines consisting of evenly spaced short dash lines in the drawings depict portions of the atomizer for an electronic cigarette that form no part of the claimed design. The broken lines consisting of long and shot dashed lines in the drawings depict the boundaries of the atomizer for an electronic cigarette that form no part of the claimed design.

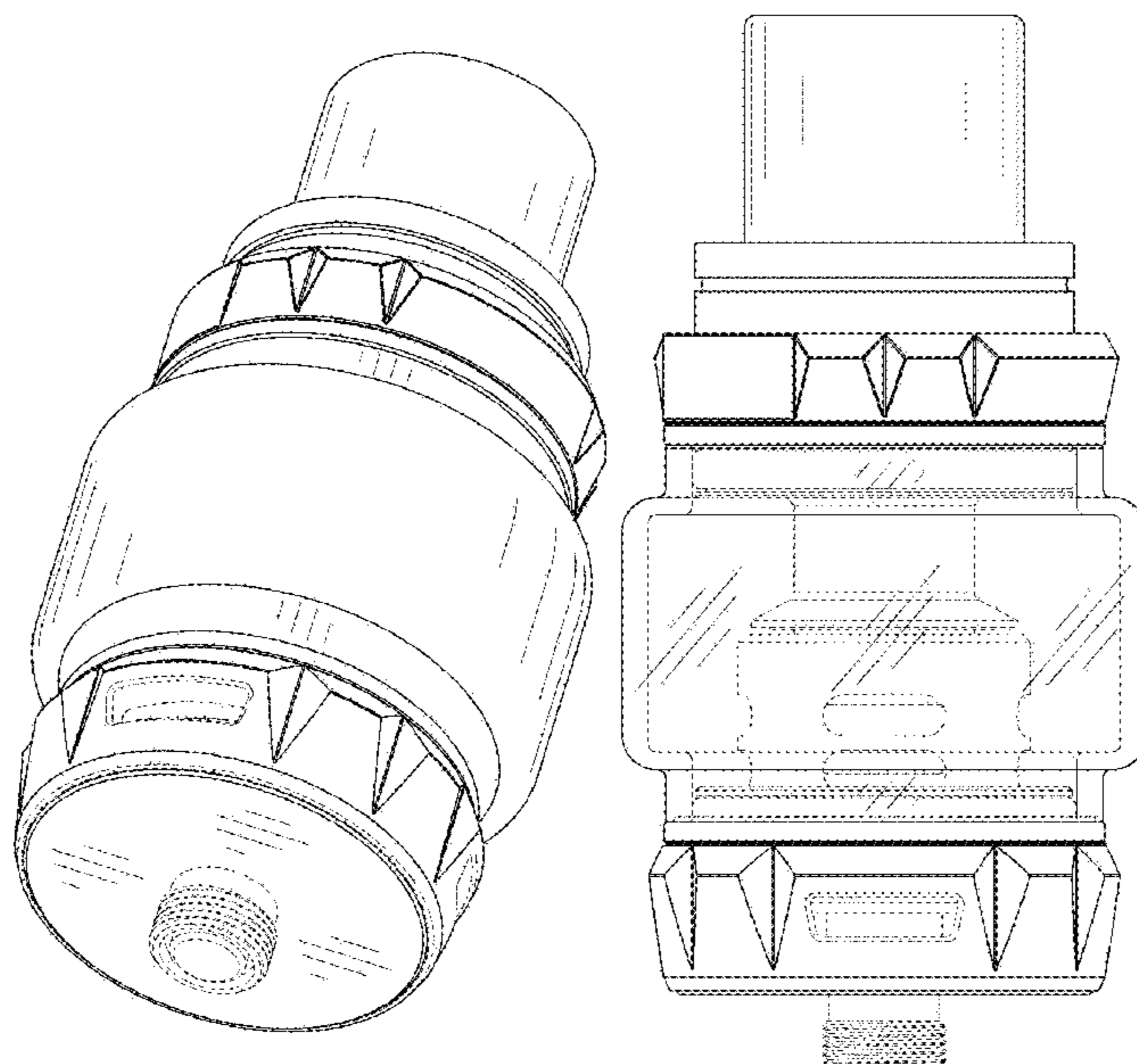
(56) **References Cited**

U.S. PATENT DOCUMENTS

D437,401 S * 2/2001 Ramos D23/364
D495,602 S * 9/2004 Daly D9/516

(Continued)

1 Claim, 14 Drawing Sheets



(58) **Field of Classification Search**

USPC D19/925-929, 934, 161-166, 194-196;
 D14/434, 480.5, 480.1, 480.3, 483, 484.1,
 D14/420, 426, 250, 137, 203.1, 203.3,
 D14/203.7, 218, 254, 411, 433-435,
 D14/435.1; D4/121; D9/500, 503, 504,
 D9/516, 517, 522, 523, 530, 531, 560,
 D9/444; D11/143, 156, 146, 54, 152,
 D11/149, 144; D28/85, 4, 7, 88, 90,
 D28/73-76, 77; D3/201, 11, 13, 17, 273,
 D3/274, 300
 CPC A24F 40/00; A24F 40/40; A24F 40/42;
 A24F 40/05; A24F 40/46; A24F 47/002;
 A24F 47/008; A24D 1/14; A24D 1/042;
 A24D 1/02; G06F 3/03545
 See application file for complete search history.

(56) **References Cited**

U.S. PATENT DOCUMENTS

D710,488 S * 8/2014 Alima D23/363
 D751,170 S * 3/2016 Ruprecht D23/209
 D811,652 S * 2/2018 Liu D27/167
 D830,524 S * 10/2018 Vranish D23/262
 D861,978 S * 10/2019 Lai D27/167
 D881,456 S * 4/2020 Chen D27/162

D882,165 S * 4/2020 Ouyang D27/162
 D883,567 S * 5/2020 Liu D27/162
 D900,387 S * 10/2020 Liu D27/162
 D916,360 S * 4/2021 Liu D27/162
 D917,778 * 4/2021 Liu D27/162
 2016/0219935 A1 * 8/2016 Qiu A24F 47/008
 2016/0295920 A1 * 10/2016 Liu A24F 47/008
 2017/0013881 A1 * 1/2017 Liu A24F 47/008
 2017/0105453 A1 * 4/2017 Li C22C 1/1084
 2017/0208869 A1 * 7/2017 Li A61M 15/06
 2018/0027874 A1 * 2/2018 Zhu H05B 3/03
 2018/0049470 A1 * 2/2018 Chen A24F 47/008
 2018/0132533 A1 * 5/2018 Chen A24F 47/008
 2018/0153222 A1 * 6/2018 Shen A24F 47/008
 2018/0228219 A1 * 8/2018 Qiu A24F 47/008
 2018/0279683 A1 * 10/2018 Qiu A24F 47/008
 2018/0352865 A1 * 12/2018 Qiu A24F 47/008
 2019/0098932 A1 * 4/2019 Fan A24F 47/008
 2019/0124990 A1 * 5/2019 Qiu A24F 47/008
 2019/0159524 A1 * 5/2019 Qiu A24F 1/32
 2019/0223497 A1 * 7/2019 Lai A24F 47/008
 2019/0297953 A1 * 10/2019 Qiu A24F 40/42
 2019/0320715 A1 * 10/2019 Xiao A24F 47/008
 2019/0380387 A1 * 12/2019 Rose H05B 3/04

FOREIGN PATENT DOCUMENTS

CN 304785111 * 8/2018
 CN 304883581 * 11/2018

* cited by examiner

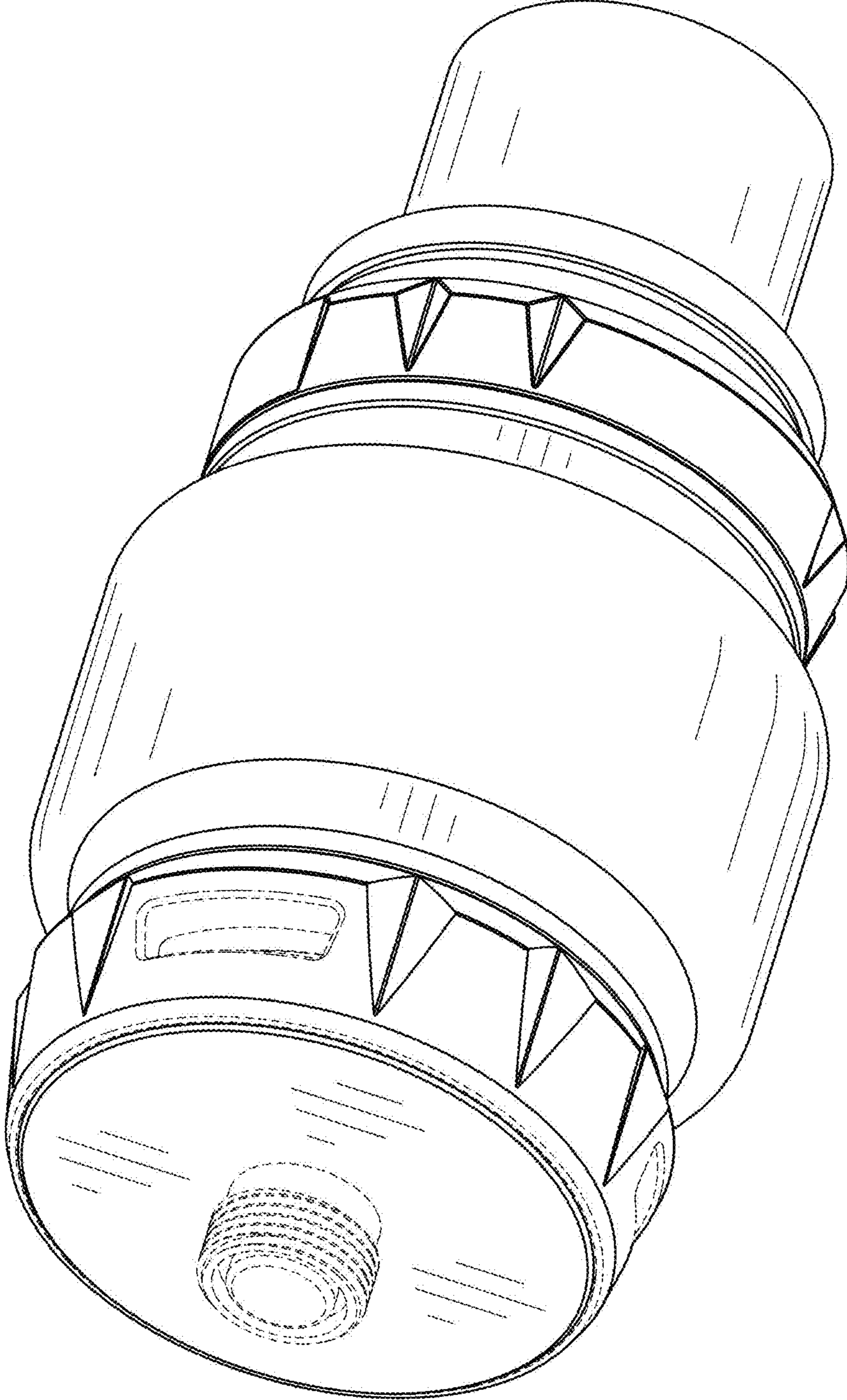


FIG. 1

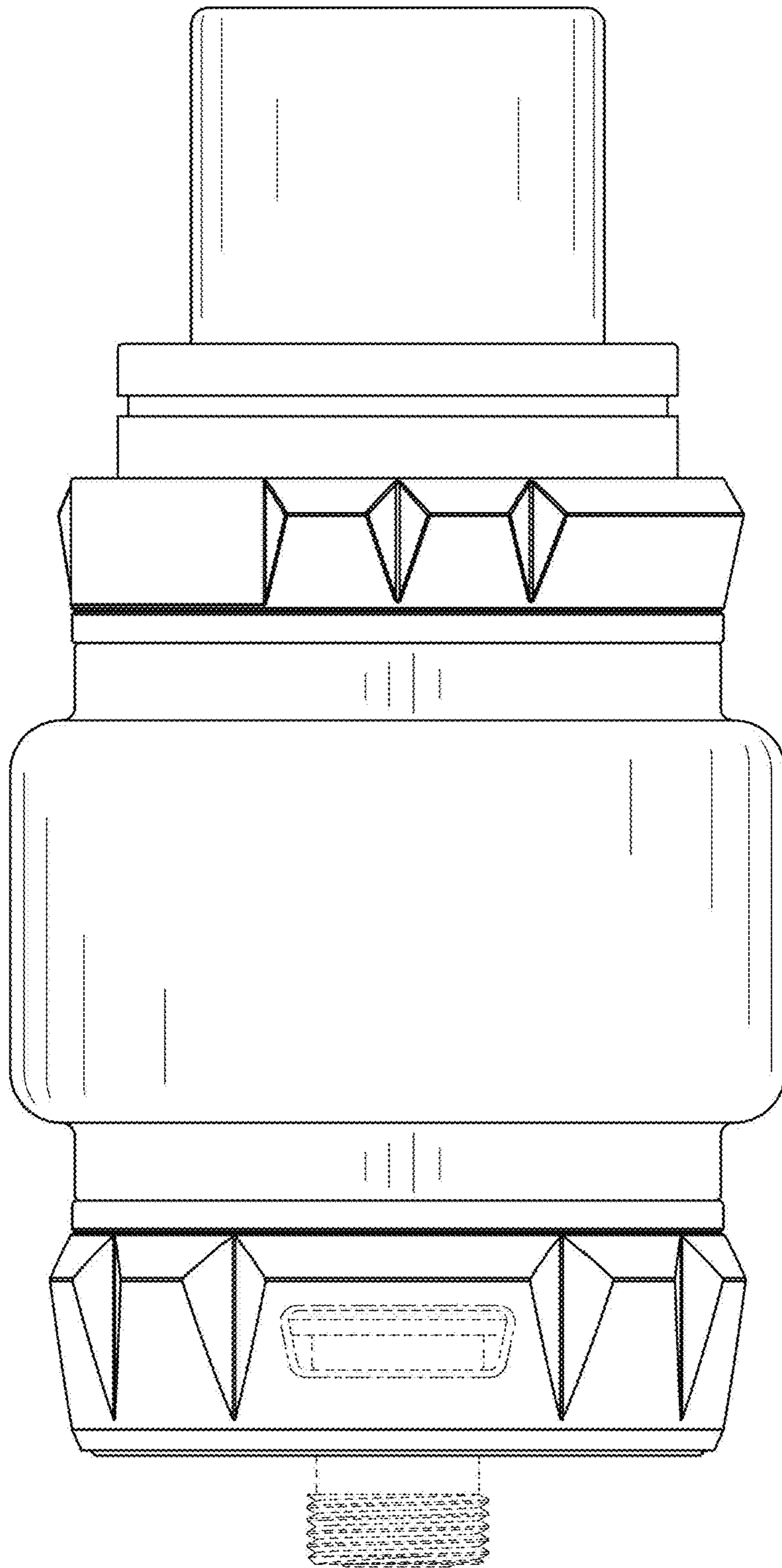


FIG. 2

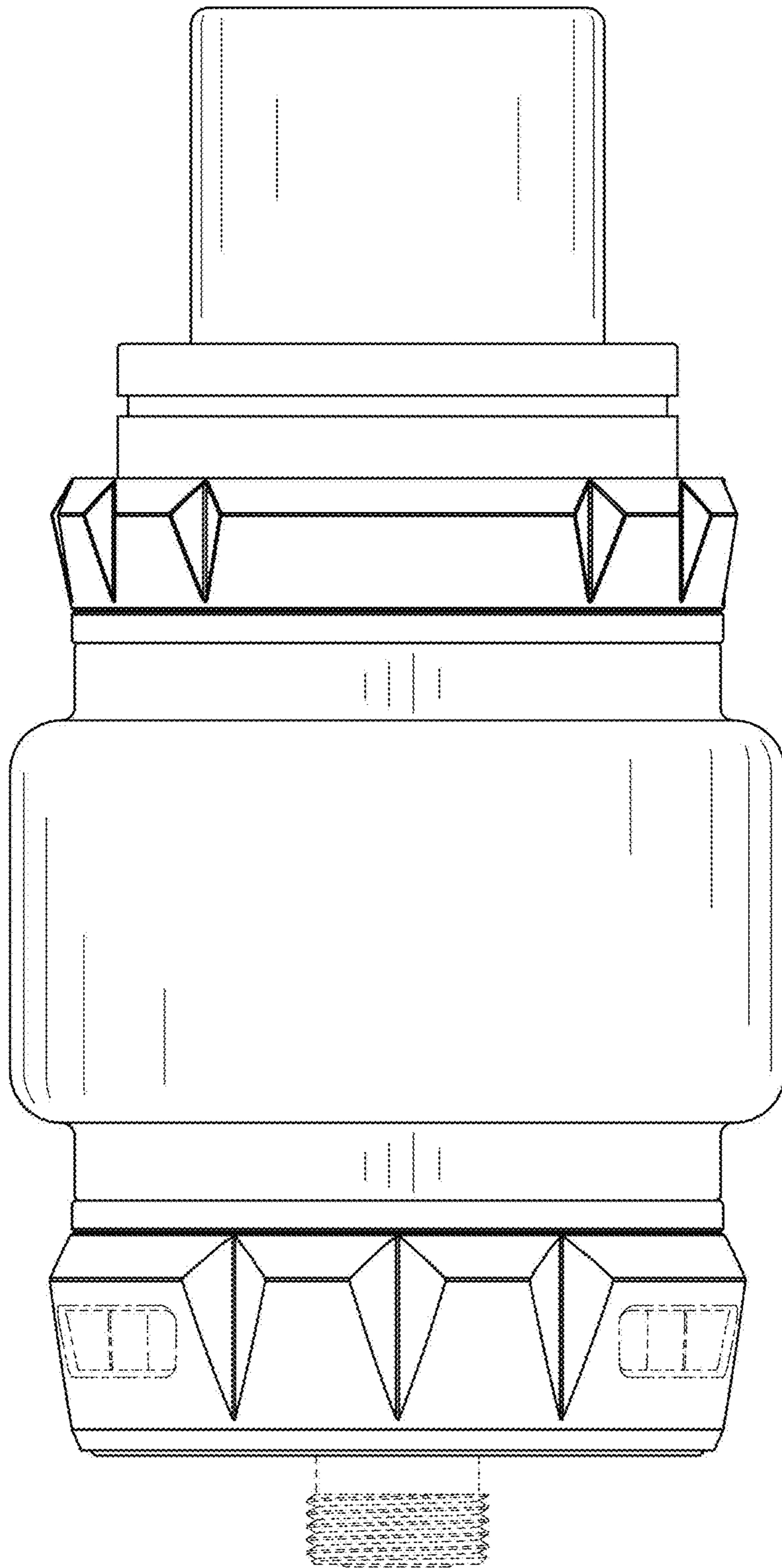


FIG. 3

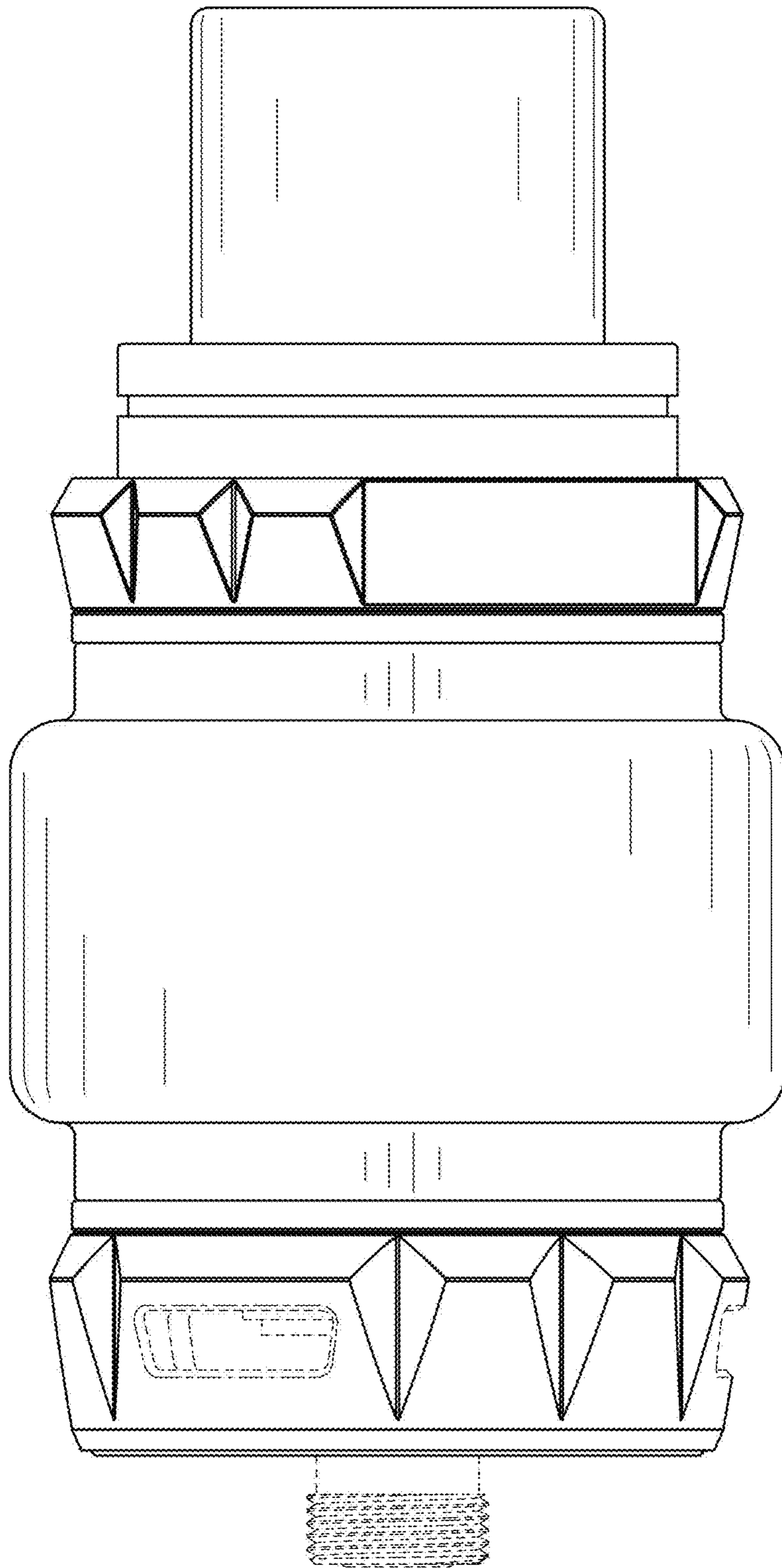


FIG. 4

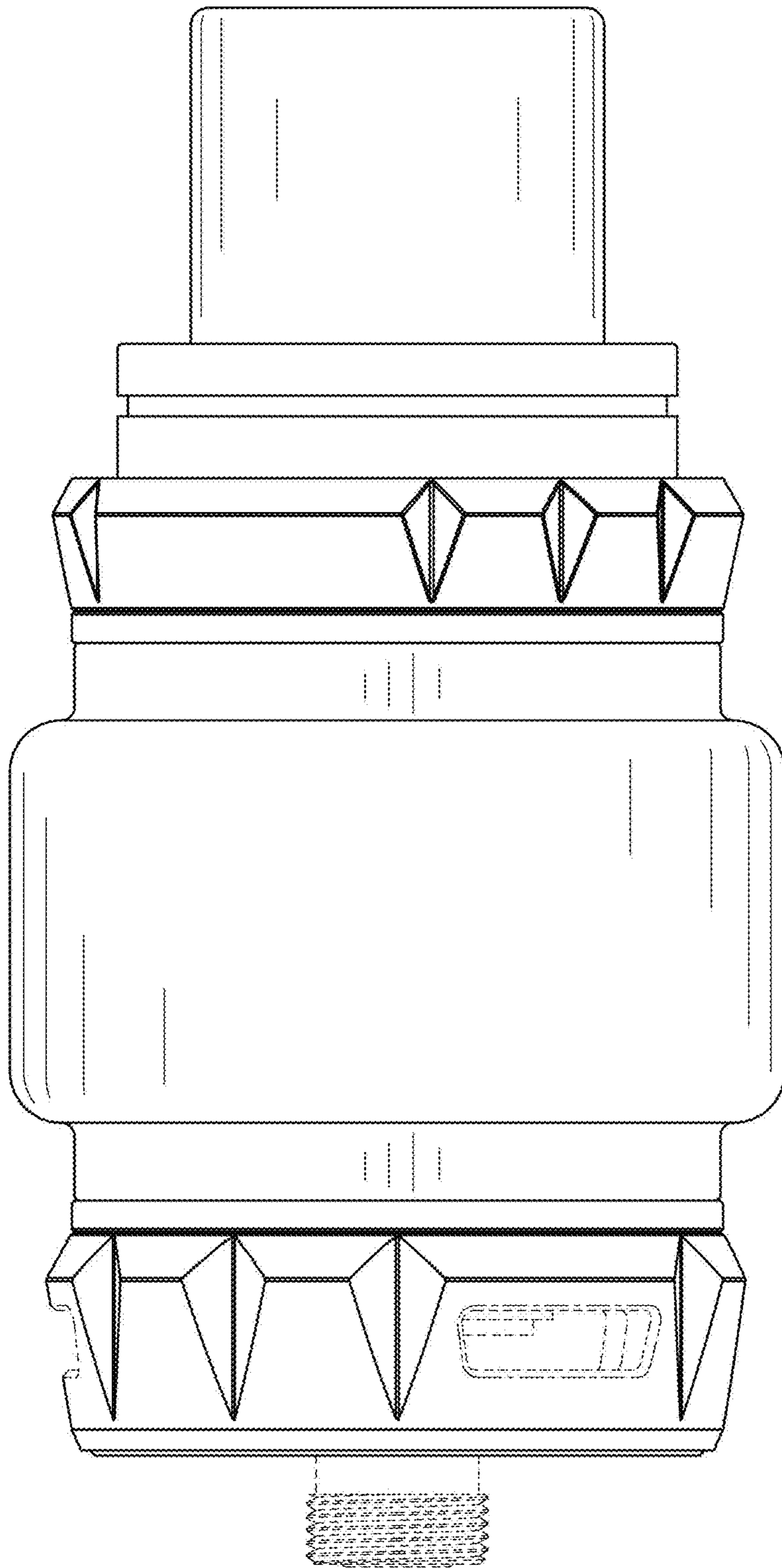


FIG. 5

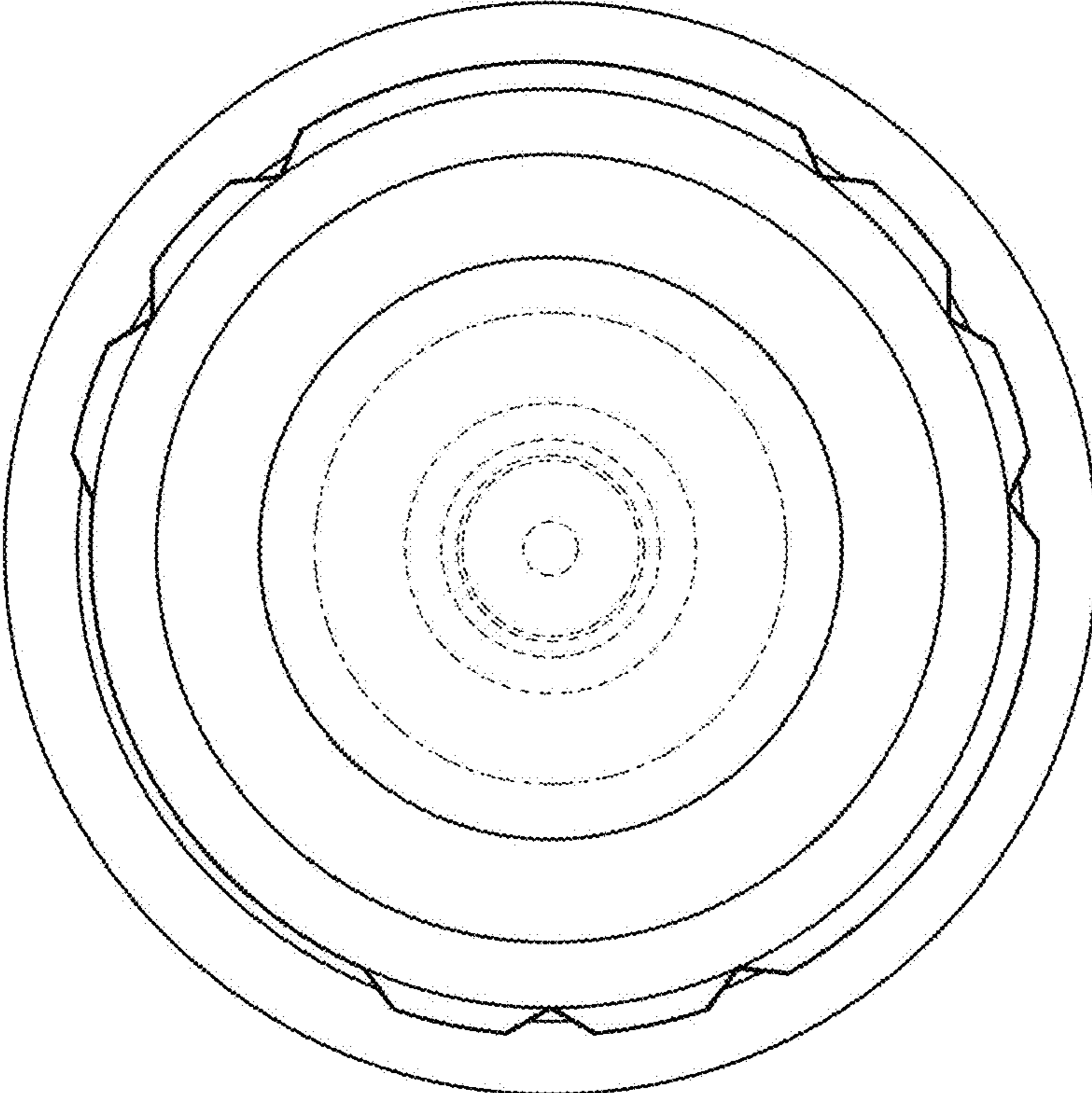


FIG. 6

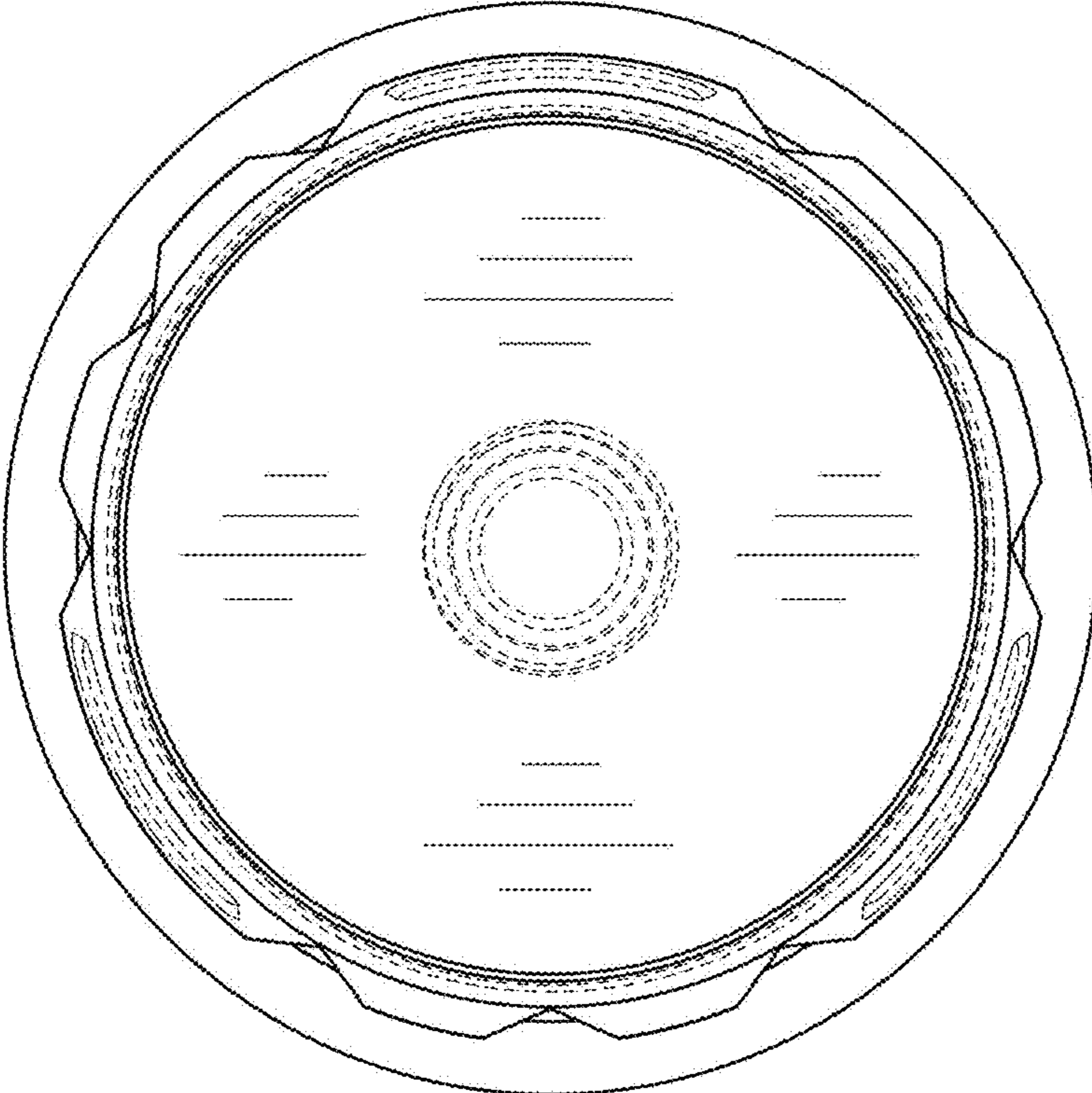


FIG. 7

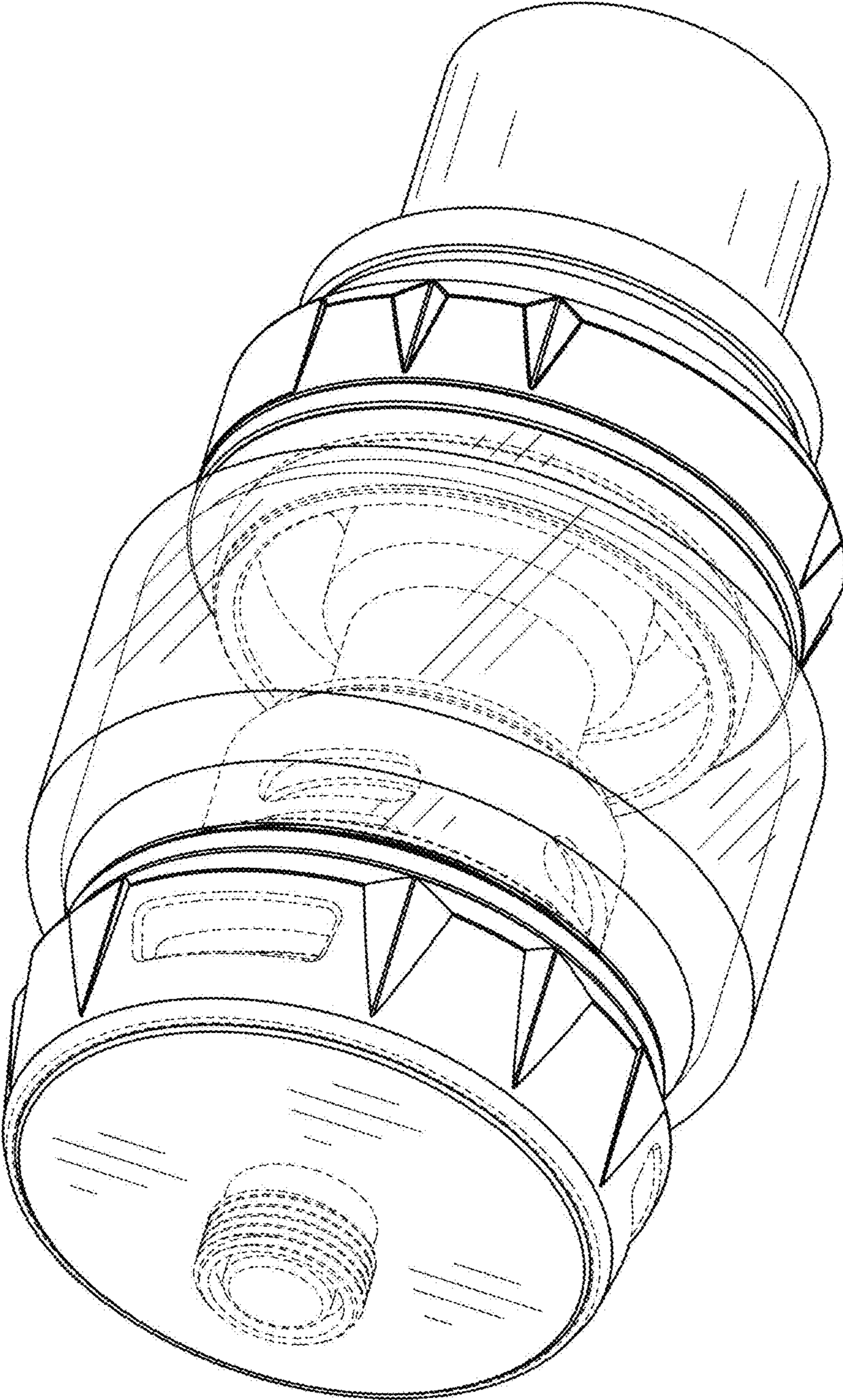


FIG. 8

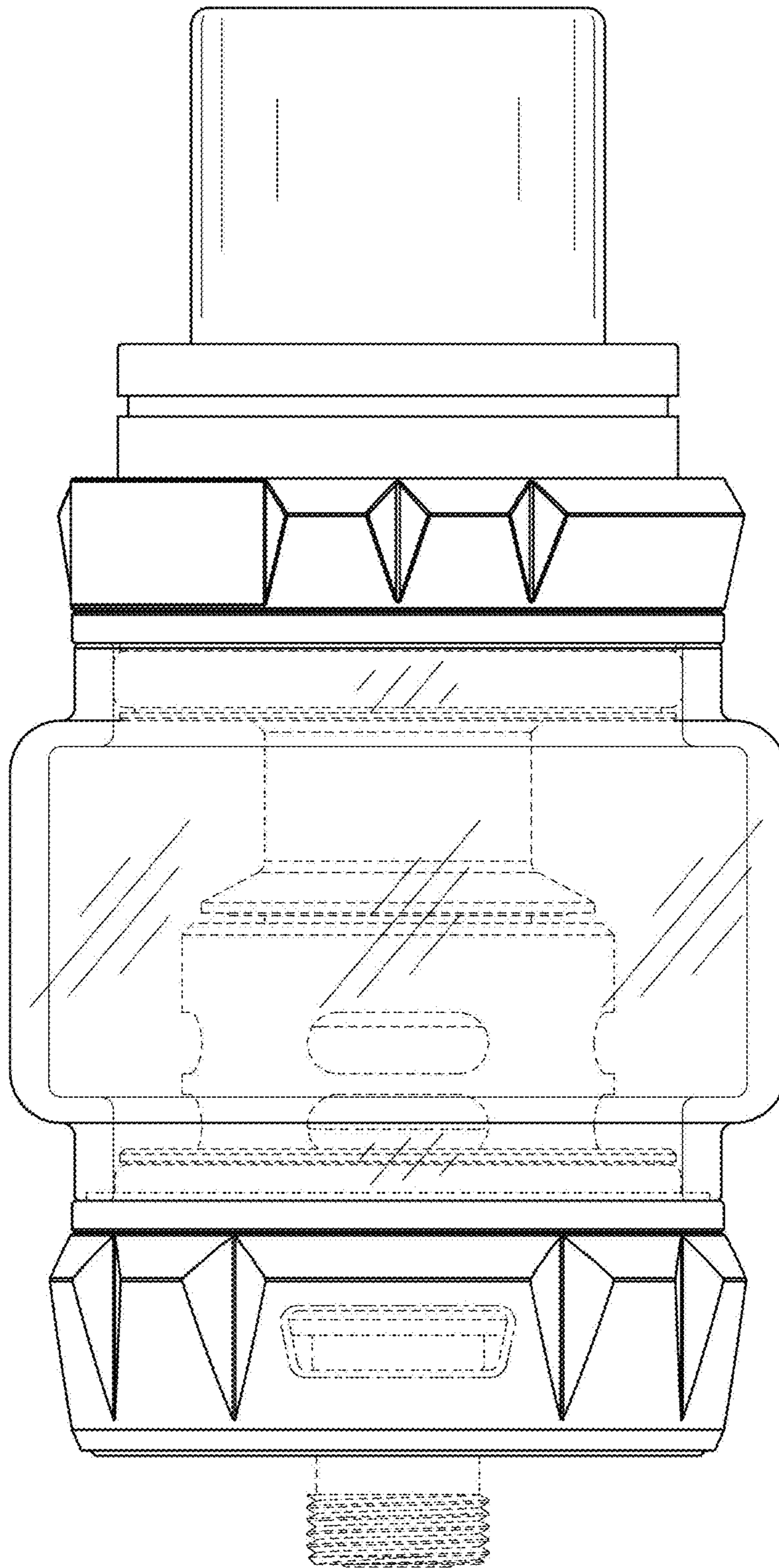


FIG. 9

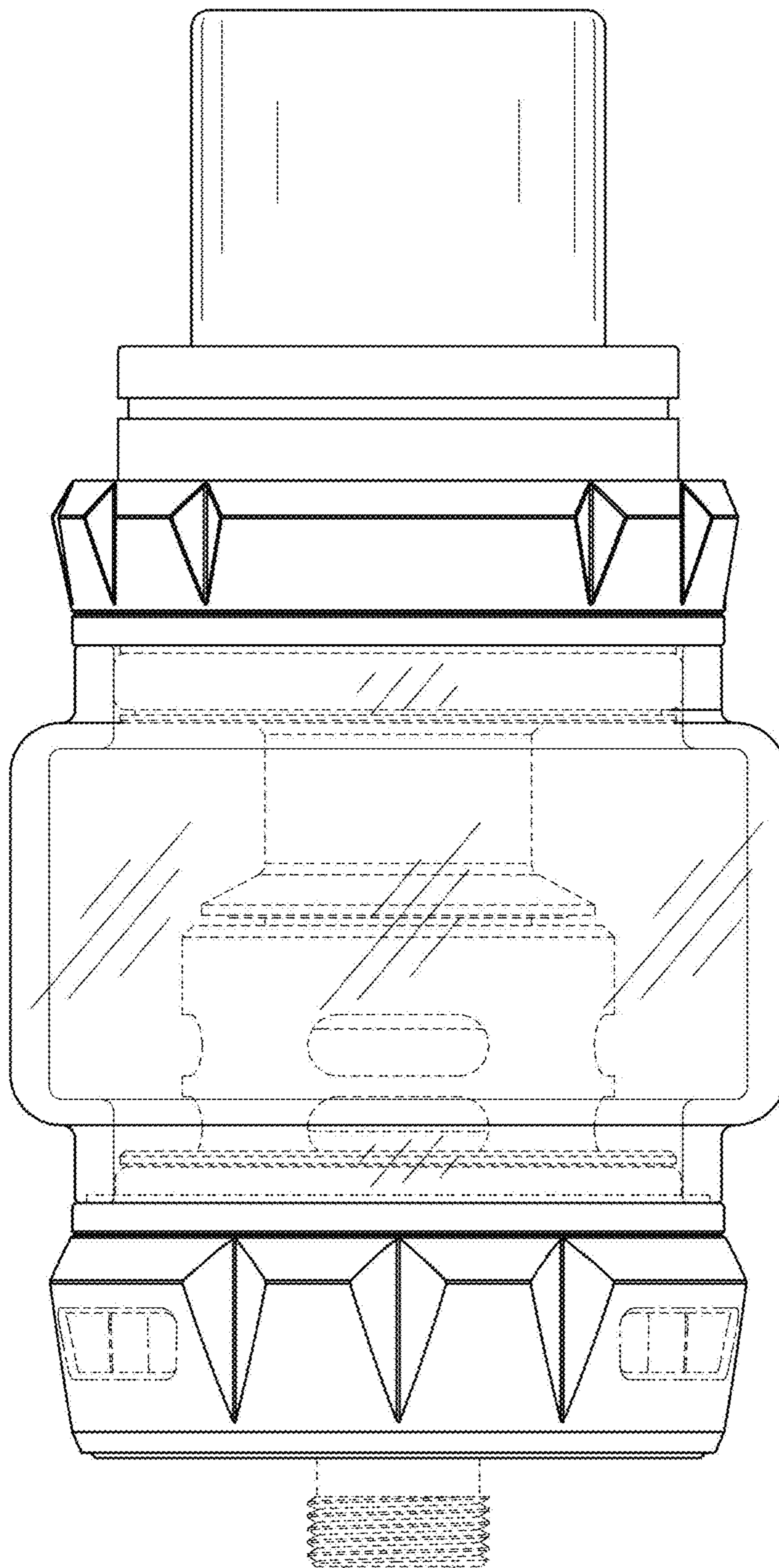


FIG. 10

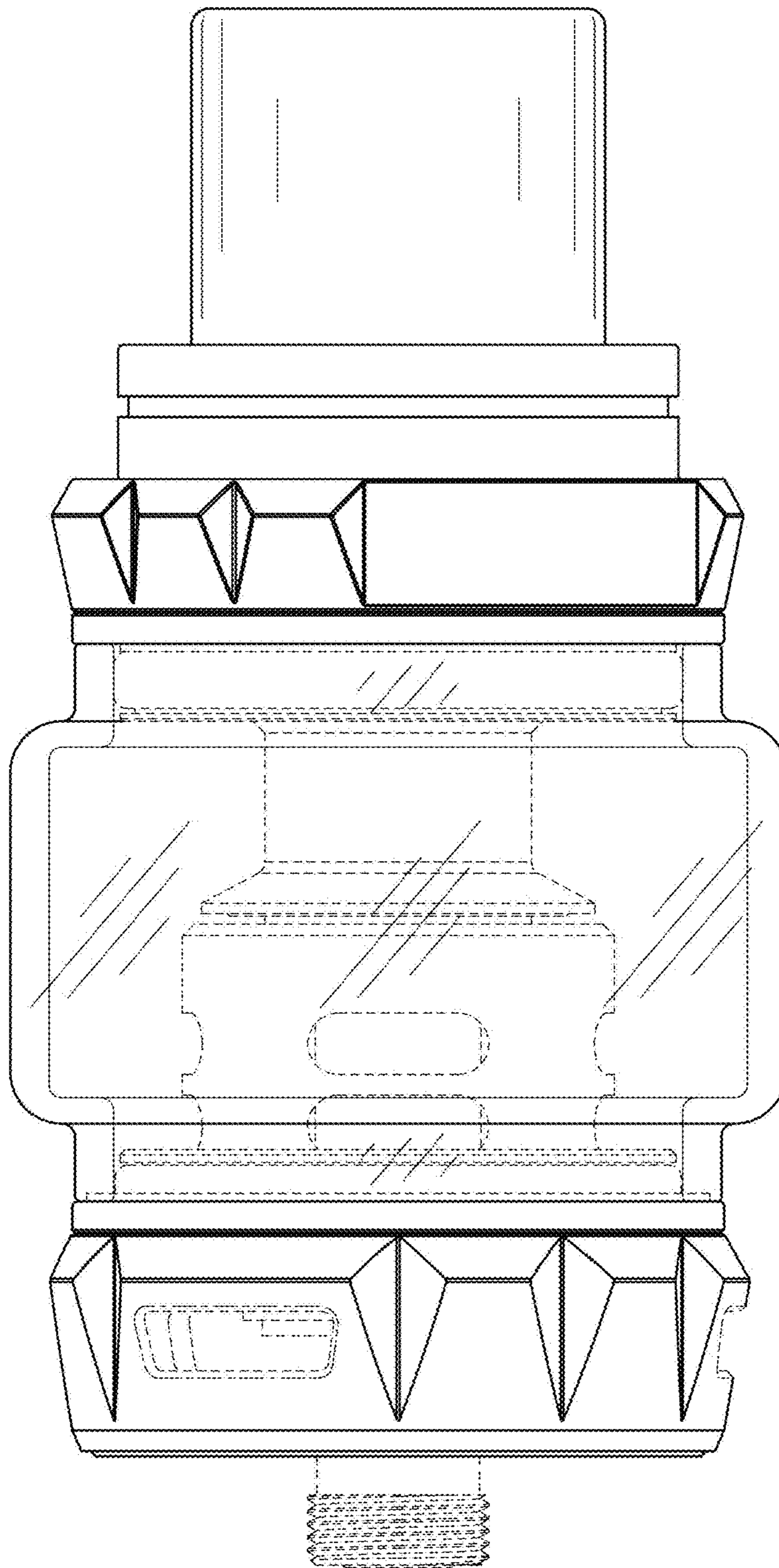


FIG. 11

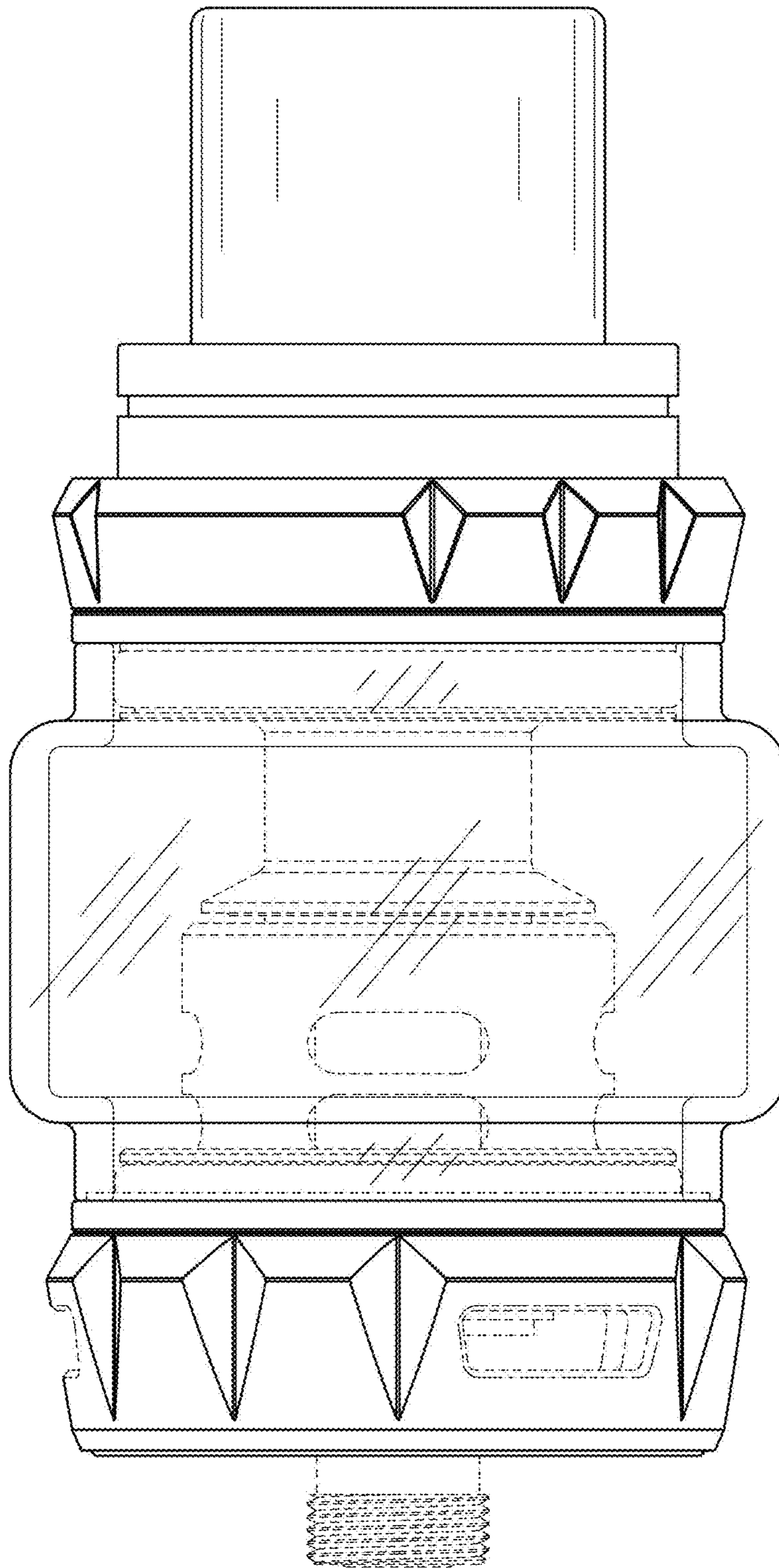


FIG. 12

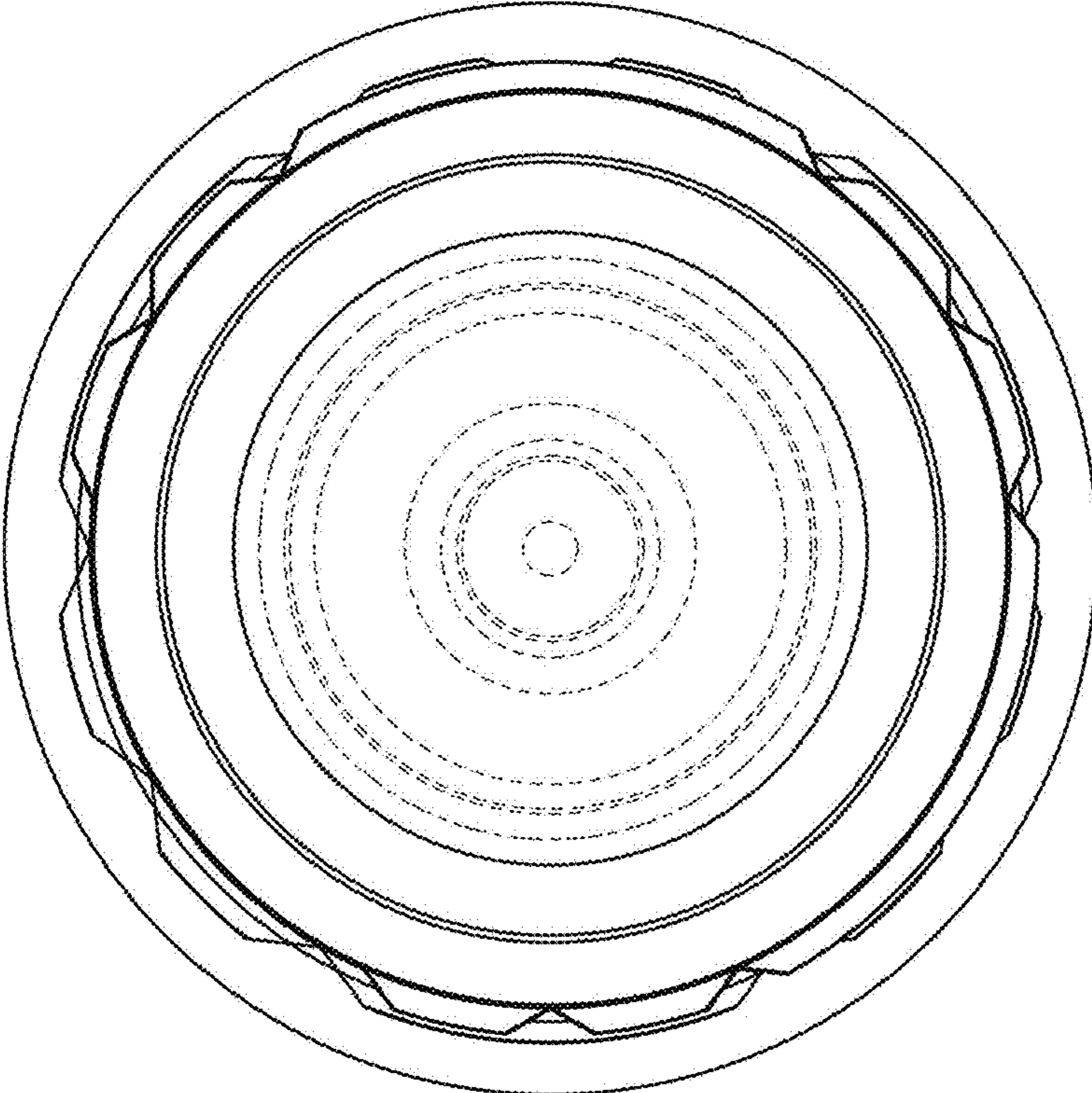


FIG. 13

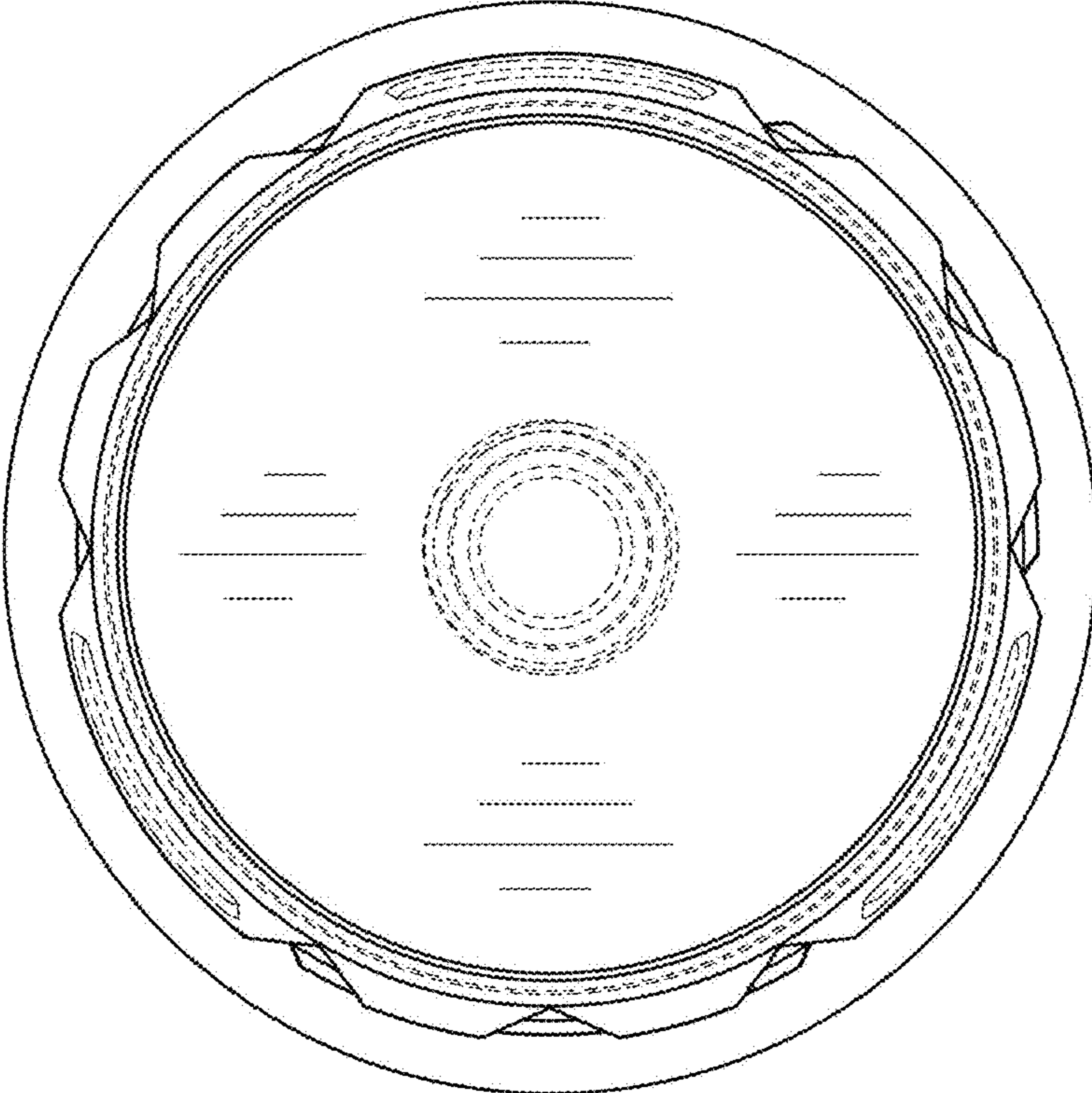


FIG. 14