



US00D923863S

(12) **United States Design Patent** (10) **Patent No.:** **US D923,863 S**
Pan (45) **Date of Patent:** **** Jun. 29, 2021**

(54) **LIGHTER**
(71) Applicant: **L.A. Lighter, Inc.**, City of Industry, CA (US)
(72) Inventor: **Phillip Pan**, City of Industry, CA (US)
(**) Term: **15 Years**
(21) Appl. No.: **29/713,118**
(22) Filed: **Nov. 13, 2019**
(51) **LOC (13) Cl.** **27-05**
(52) **U.S. Cl.**
USPC **D27/141**
(58) **Field of Classification Search**
USPC D27/141, 154, 100, 101, 106, 108, 131, D27/142, 152, 153, 160, 161, 162-165, D27/172, 174, 175, 183, 185-194; D24/110; D9/516, 522, 523, 572, 682, D9/687, 694
CPC A24F 47/002; A24F 47/004; A24F 47/006; A24F 47/008; A61M 15/06
See application file for complete search history.

D860,518 S * 9/2019 Pan D27/141
D869,086 S * 12/2019 Pan D27/162
D870,958 S * 12/2019 Park D27/160
D884,263 S * 5/2020 Chen D27/154
D901,072 S * 11/2020 Goradesky A24F 13/22
D27/189

OTHER PUBLICATIONS

Corona Old Boy Lines Chrome Pipe Lighter By: Hiland's Cigars found on line Jan. 10, 2021 <https://hilandscigars.com/shop/lighters/corona-pipe-lighter/corona-old-boy-lines-chrome-pipe-lighter/>.*

* cited by examiner

Primary Examiner — Marissa J Cash
Assistant Examiner — Rebecca Tsehaye
(74) *Attorney, Agent, or Firm* — Tommy S F Wang; Wang IP Law Group, P.C.

(57) **CLAIM**

The ornamental design for a lighter, as shown and described.

DESCRIPTION

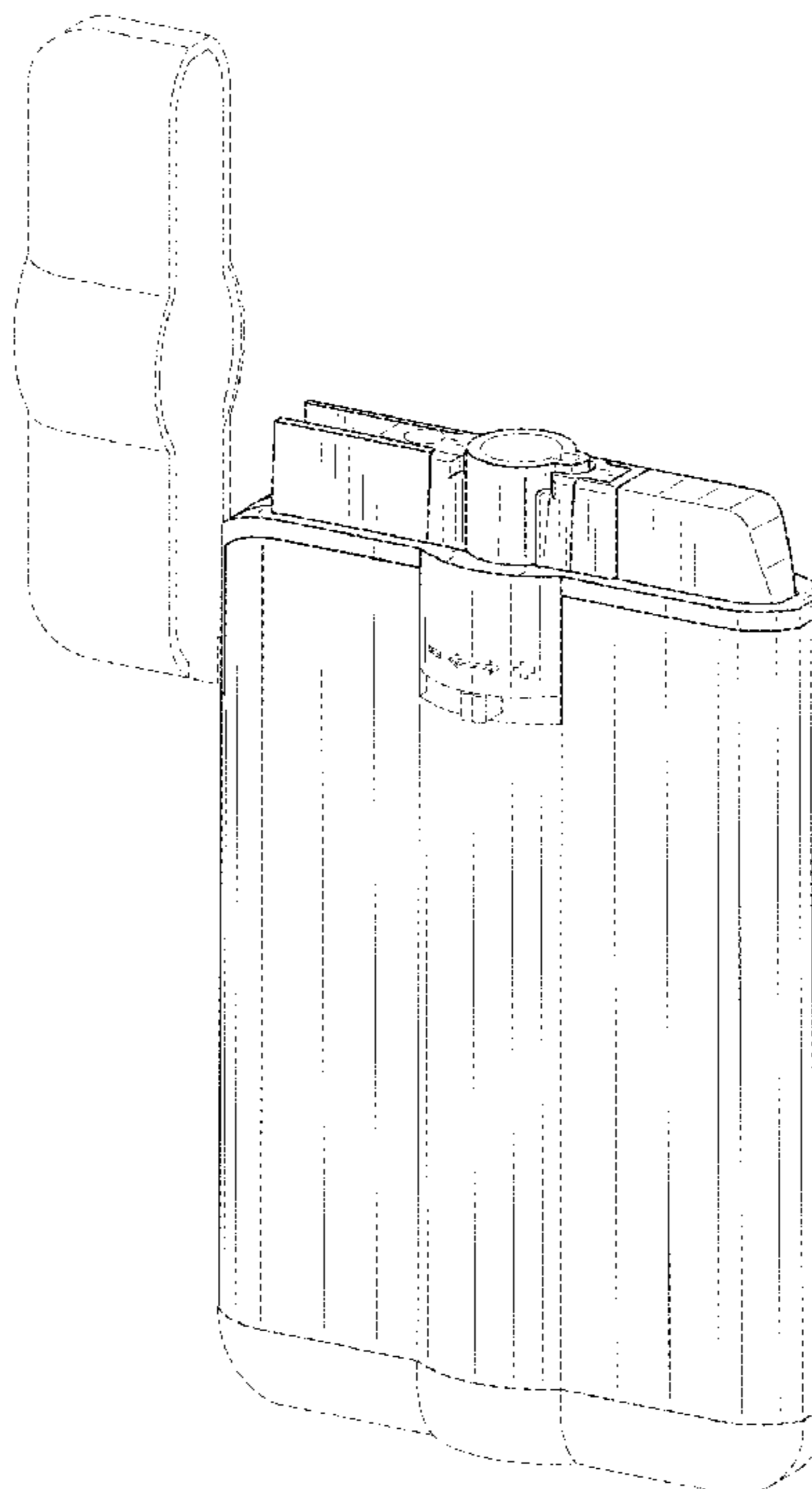
FIG. 1 is a perspective view of a lighter in an opened mode showing my new design;
FIG. 2 is a front view thereof;
FIG. 3 is a rear view thereof;
FIG. 4 is a left side view thereof;
FIG. 5 is a right side view thereof;
FIG. 6 is a top view thereof;
FIG. 7 is a bottom view thereof; and,
FIG. 8 is another perspective view thereof in a closed mode. The broken lines illustrate portions of the lighter in FIGS. 1-8 that form no part of the claimed design.

1 Claim, 6 Drawing Sheets

(56) **References Cited**

U.S. PATENT DOCUMENTS

D379,248 S * 5/1997 Khemarangsan D27/141
D410,564 S * 6/1999 Sher D27/141
D531,352 S * 10/2006 Ruan D27/154
D681,875 S * 5/2013 Park D27/141
D717,488 S * 11/2014 Martin D27/141
D754,913 S * 4/2016 Almsberger D27/152
D768,331 S * 10/2016 Chen D27/101
D799,746 S * 10/2017 Leidel D27/163
D843,052 S * 3/2019 Powell D27/163



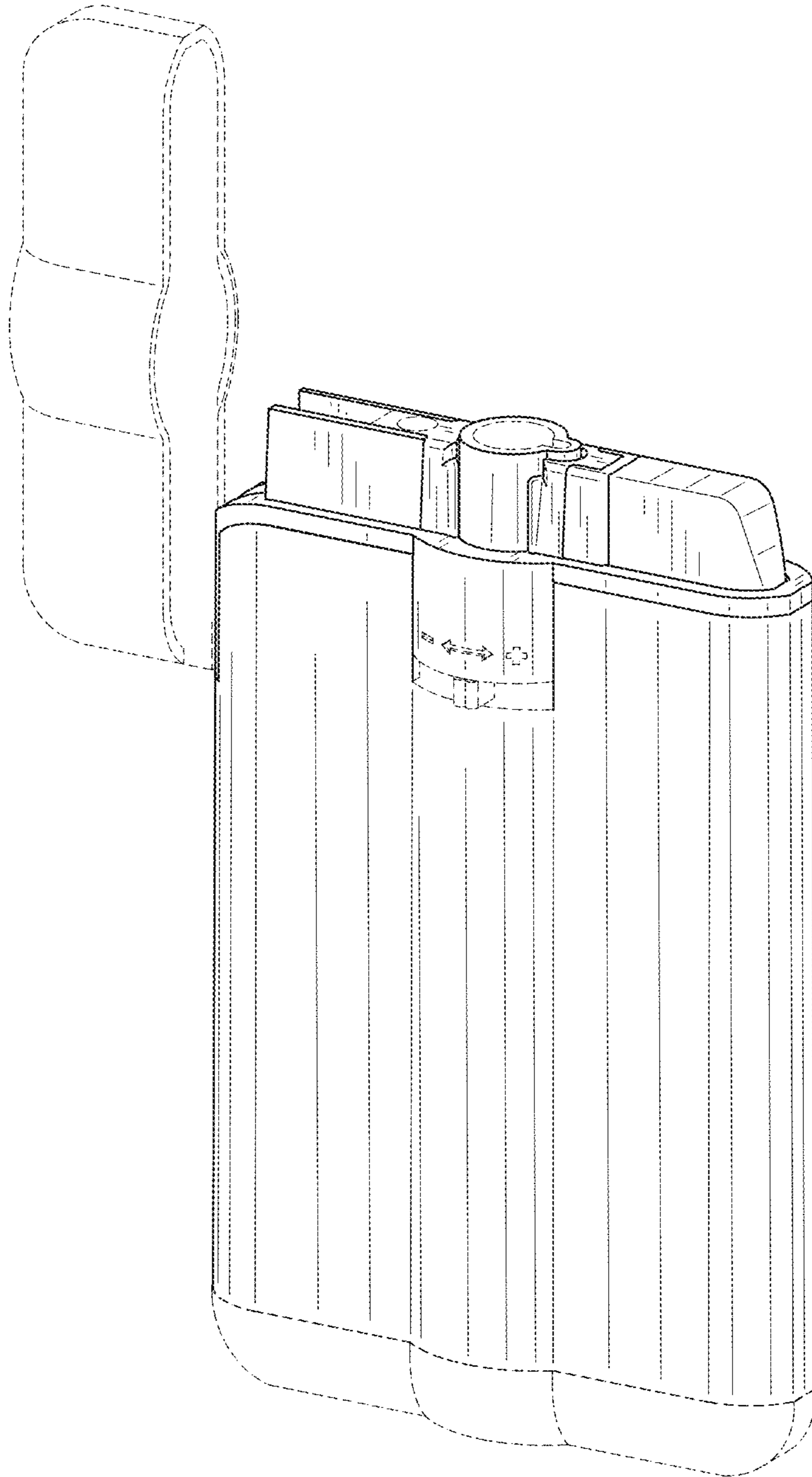


FIG. 1

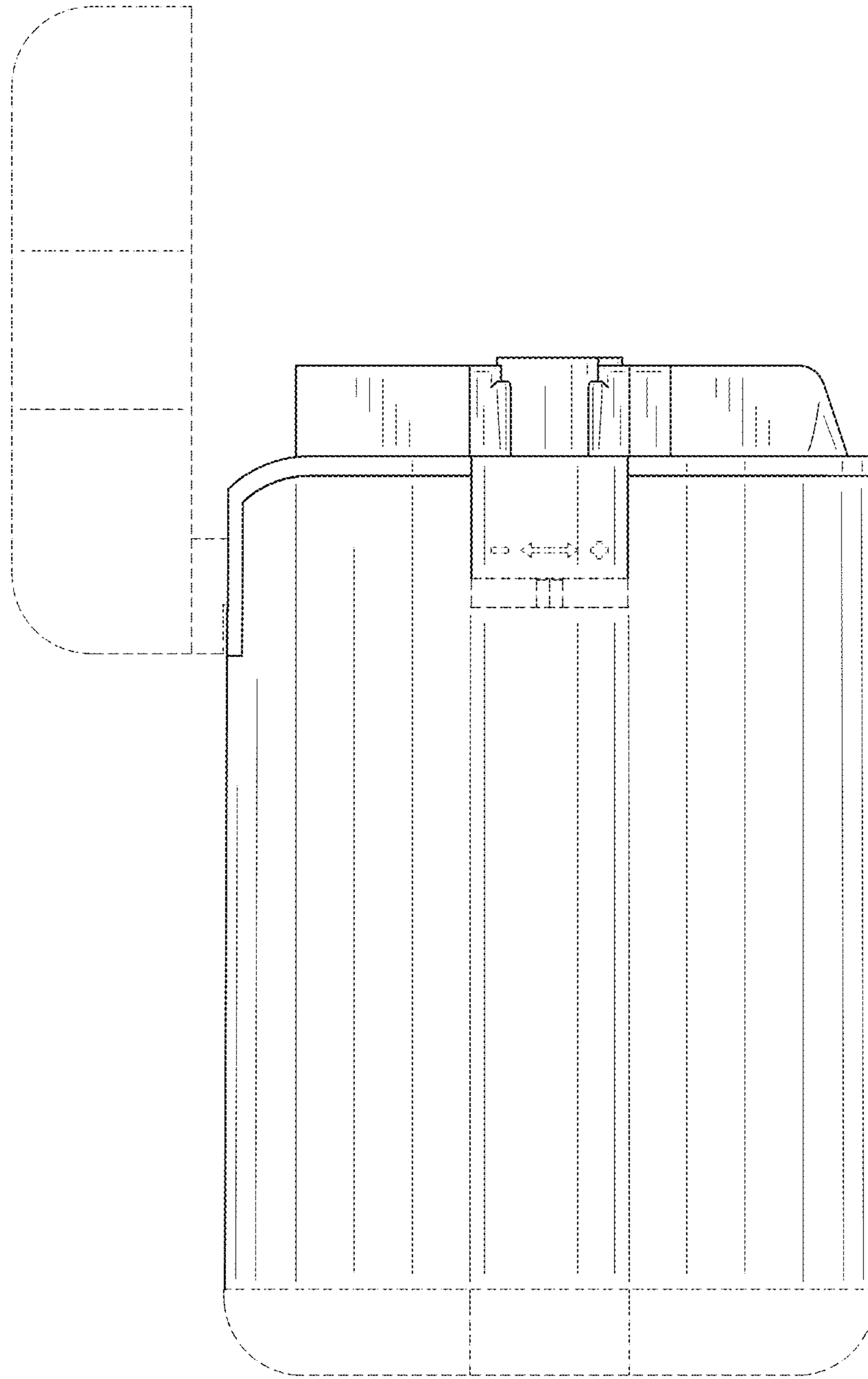


FIG. 2

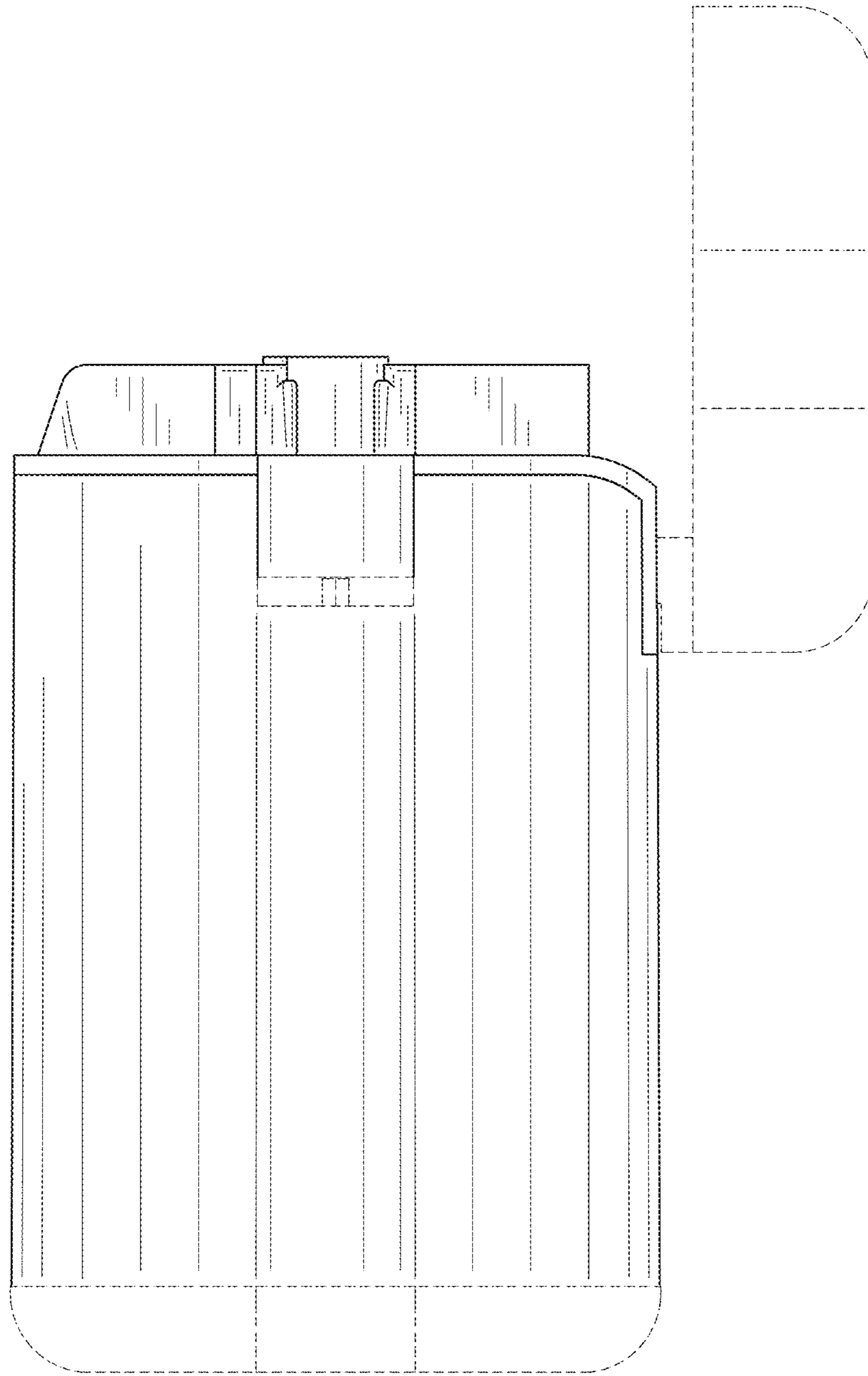


FIG. 3

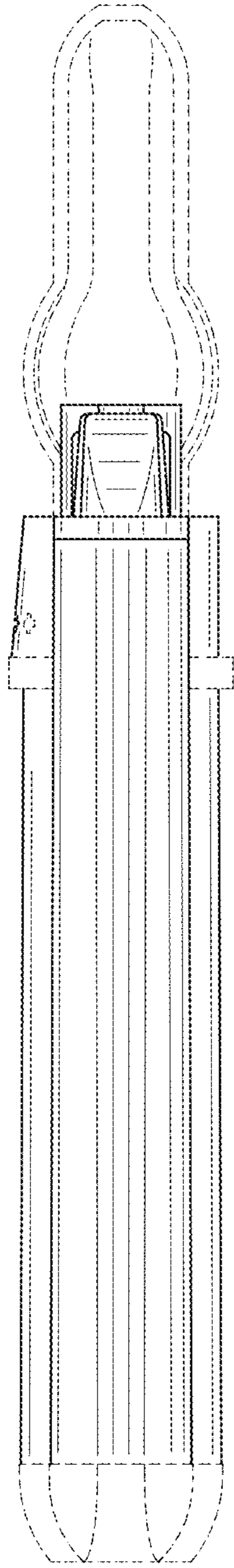


FIG. 4

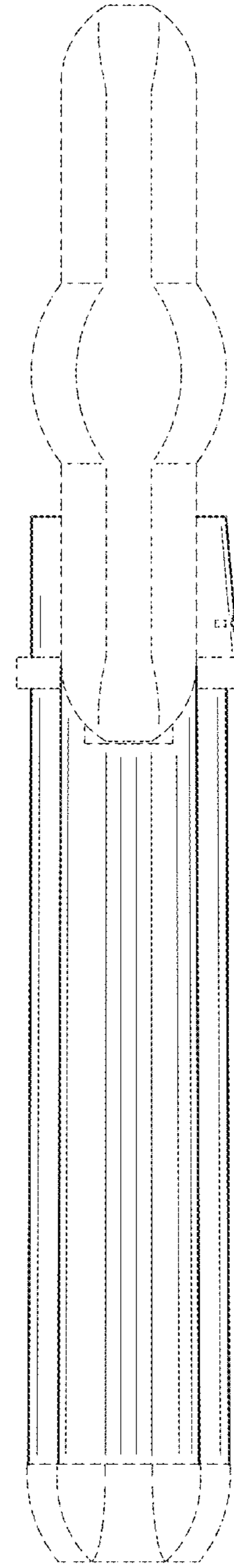


FIG. 5

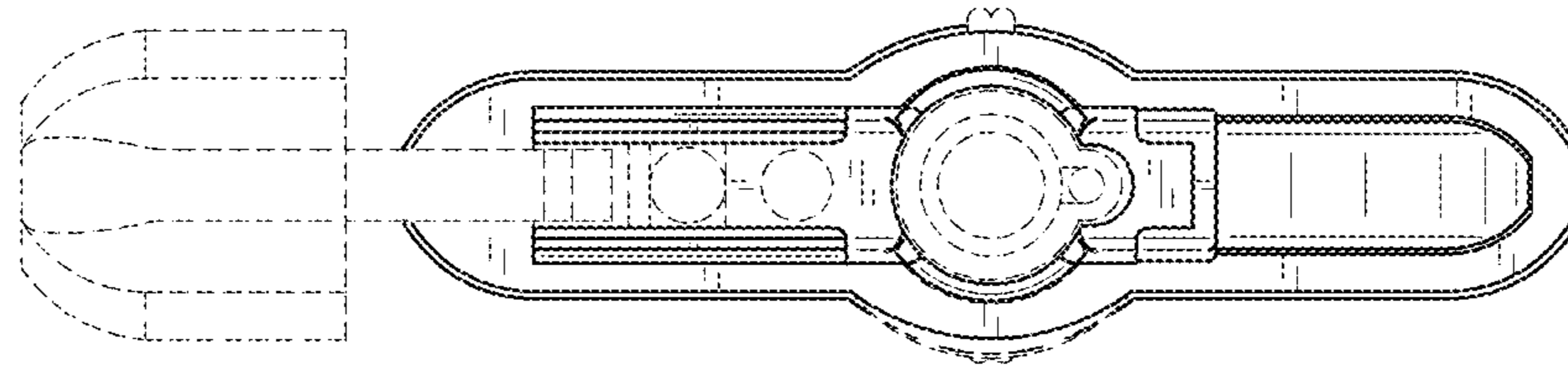


FIG. 6

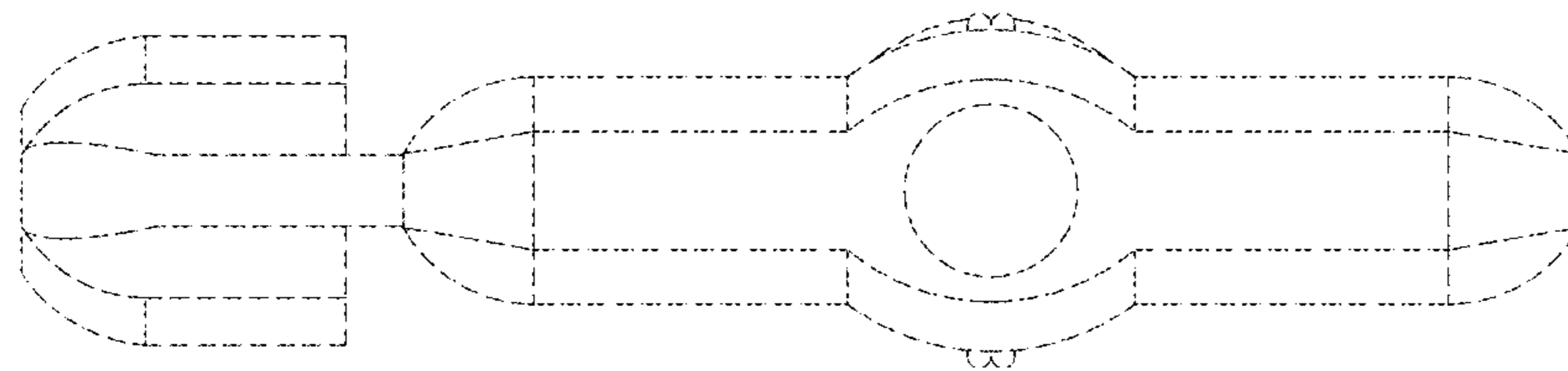


FIG. 7

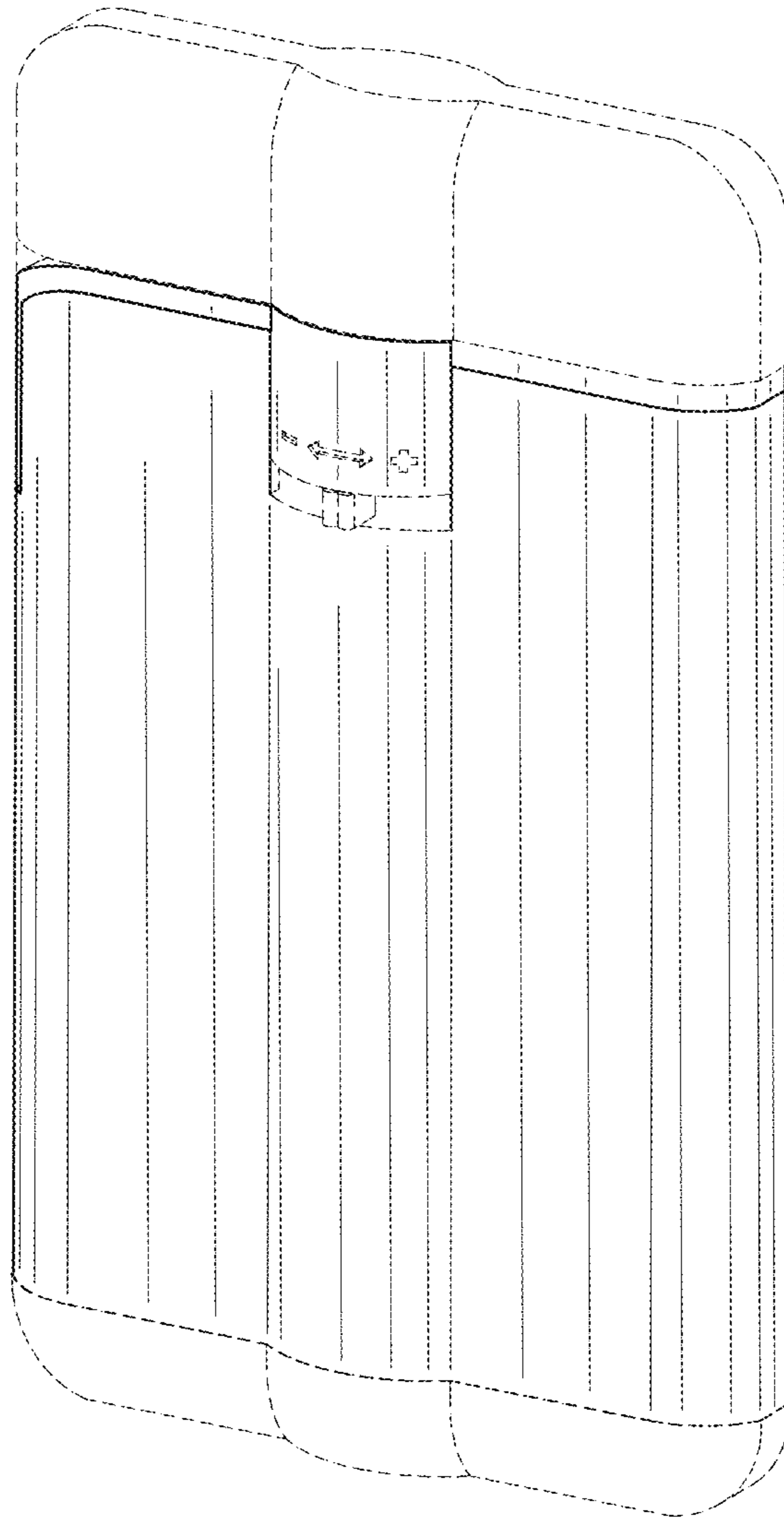


FIG. 8