



US00D923862S

(12) **United States Design Patent** (10) **Patent No.:** **US D923,862 S**
Chen et al. (45) **Date of Patent:** **** Jun. 29, 2021**

(54) **SECURITY LIGHT**

(56) **References Cited**

(71) Applicants: **SHANGHAI SANSI ELECTRONIC ENGINEERING CO. LTD.**, Shanghai (CN); **SANSI OPTOELECTRONICS TECHNOLOGY (SHANGHAI) CO. LTD.**, Nanhui (CN); **SHANGHAI SANSI TECHNOLOGY CO. LTD.**, Nanhui (CN); **JIASHAN SANSI OPTOELECTRONIC TECHNOLOGY CO. LTD.**, Zhejiang (CN)

U.S. PATENT DOCUMENTS

D821,021 S * 6/2018 Chen D26/120
D835,335 S * 12/2018 Paredes F21V 21/29
D26/120

* cited by examiner

Primary Examiner — Marcus A Jackson
(74) *Attorney, Agent, or Firm* — Oliff PLC

(72) Inventors: **Bishou Chen**, Shanghai (CN); **Peng Wang**, Shanghai (CN); **Xiaoliang He**, Shanghai (CN); **Shan Li**, Shanghai (CN)

(57) **CLAIM**

The ornamental design for a security light, as shown and described.

(73) Assignees: **SHANGHAI SANSI ELECTRONIC ENGINEERING CO. LTD.**, Shanghai (CN); **SANSI OPTOELECTRONICS TECHNOLOGY (SHANGHAI) CO. LTD.**, Shanghai (CN); **SHANGHAI SANSI TECHNOLOGY CO. LTD.**, Shanghai (CN); **JIASHAN SANSI OPTOELECTRONIC TECHNOLOGY CO. LTD.**, Zhejiang (CN)

DESCRIPTION

FIG. 1 is a front, right-side, top perspective view of a first embodiment of the security light with a portion of the unclaimed subject matter cut away to prevent visual obstruction of the claimed subject matter;

FIG. 2 is a front elevational view thereof;

FIG. 3 is a left side of a top plan view thereof split along the dot-dash match line, and with a portion of the unclaimed subject matter cut away to prevent visual obstruction of the claimed subject matter;

FIG. 4 is a right side of the top plan view thereof split along the dot-dash match line, and with a portion of the unclaimed subject matter cut away to prevent visual obstruction of the claimed subject matter;

FIG. 5 is a left-side elevational view thereof with a portion of the unclaimed subject matter cut away to prevent visual obstruction of the claimed subject matter, the right-side elevational view (not provided) being a mirror-image thereof;

(**) Term: **15 Years**

(21) Appl. No.: **29/679,122**

(22) Filed: **Feb. 1, 2019**

(51) **LOC (13) Cl.** **26-99**

(52) **U.S. Cl.**

USPC **D26/120**

(58) **Field of Classification Search**

USPC D26/1-7, 120

(Continued)

(Continued)

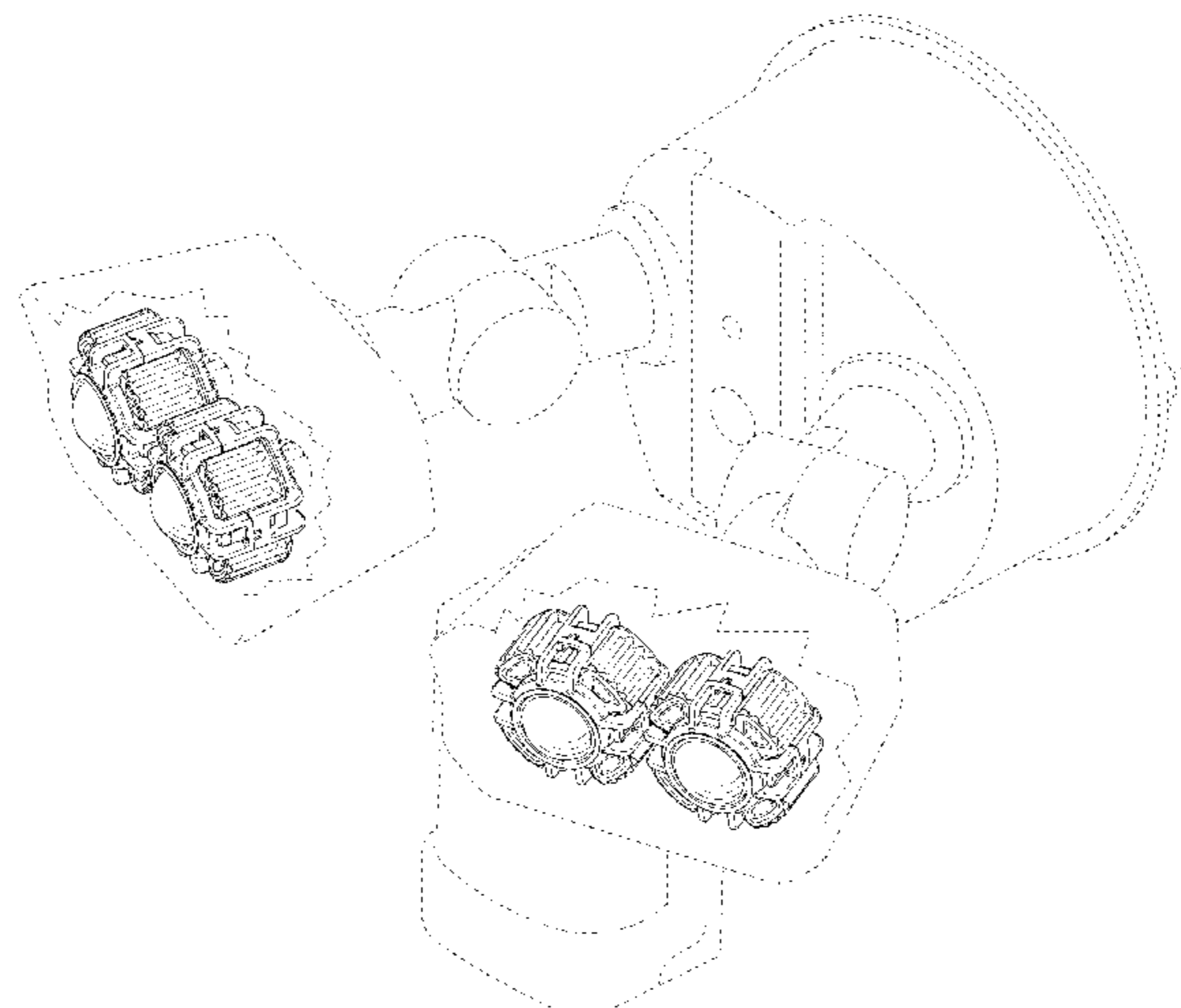


FIG. 6 is a left side of a bottom plan view thereof split along the dot-dash match line, and with a portion of the unclaimed subject matter cut away to prevent visual obstruction of the claimed subject matter; and

FIG. 7 is a right side of a bottom plan view thereof split along the dot-dash match line, and with a portion of the unclaimed subject matter cut away to prevent visual obstruction of the claimed subject matter.

FIG. 8 is a front, right-side, top perspective view of a second embodiment of the security light with a portion of the unclaimed subject matter cut away to prevent visual obstruction of the claimed subject matter;

FIG. 9 is a front elevational view thereof;

FIG. 10 is a left side of a top plan view thereof split along the dot-dash match line, and with a portion of the unclaimed subject matter cut away to prevent visual obstruction of the claimed subject matter;

FIG. 11 is a right side of the top plan view thereof split along the dot-dash match line, and with a portion of the unclaimed subject matter cut away to prevent visual obstruction of the claimed subject matter;

FIG. 12 is a left-side elevational view thereof with a portion of the unclaimed subject matter cut away to prevent visual obstruction of the claimed subject matter, the right-side elevational view (not provided) being a mirror-image thereof;

FIG. 13 is a left side of a bottom plan view thereof split along the dot-dash match line, and with a portion of the unclaimed subject matter cut away to prevent visual obstruction of the claimed subject matter; and

FIG. 14 is a right side of a bottom plan view thereof split along the dot-dash match line, and with a portion of the unclaimed subject matter cut away to prevent visual obstruction of the claimed subject matter.

FIG. 15 is a front, right-side, top perspective view of a third embodiment of the security light with a portion of the unclaimed subject matter cut away to prevent visual obstruction of the claimed subject matter;

FIG. 16 is a front elevational view thereof;

FIG. 17 is a left side of a top plan view thereof split along the dot-dash match line, and with a portion of the unclaimed subject matter cut away to prevent visual obstruction of the claimed subject matter;

FIG. 18 is a right side of the top plan view thereof split along the dot-dash match line, and with a portion of the unclaimed subject matter cut away to prevent visual obstruction of the claimed subject matter;

FIG. 19 is a left-side elevational view thereof with a portion of the unclaimed subject matter cut away to prevent visual obstruction of the claimed subject matter, the right-side elevational view (not provided) being a mirror-image thereof;

FIG. 20 is a left side of a bottom plan view thereof split along the dot-dash match line, and with a portion of the unclaimed subject matter cut away to prevent visual obstruction of the claimed subject matter; and

FIG. 21 is a right side of a bottom plan view thereof split along the dot-dash match line, and with a portion of the unclaimed subject matter cut away to prevent visual obstruction of the claimed subject matter.

FIG. 22 is a front, right-side, top perspective view of a fourth embodiment of the security light with a portion of the unclaimed subject matter cut away to prevent visual obstruction of the claimed subject matter;

FIG. 23 is a front elevational view thereof;

FIG. 24 is a left side of a top plan view thereof split along the dot-dash match line, and with a portion of the unclaimed subject matter cut away to prevent visual obstruction of the claimed subject matter;

FIG. 25 is a right side of the top plan view thereof split along the dot-dash match line, and with a portion of the unclaimed subject matter cut away to prevent visual obstruction of the claimed subject matter;

FIG. 26 is a left-side elevational view thereof with a portion of the unclaimed subject matter cut away to prevent visual obstruction of the claimed subject matter, the right-side elevational view (not provided) being a mirror-image thereof;

FIG. 27 is a left side of a bottom plan view thereof split along the dot-dash match line, and with a portion of the unclaimed subject matter cut away to prevent visual obstruction of the claimed subject matter; and,

FIG. 28 is a right side of a bottom plan view thereof split along the dot-dash match line, and with a portion of the unclaimed subject matter cut away to prevent visual obstruction of the claimed subject matter.

The broken lines depict portions of the security light that form no part of the claimed design. The dot-dash chain lines are match lines used to split views and form no part of the claimed design.

1 Claim, 28 Drawing Sheets

(58) Field of Classification Search

CPC H01R 5/00; H01R 13/46; H01R 13/514;
 H01R 31/048; H01R 31/02; H01J 5/00;
 H01J 5/16; H01J 1/02; H01J 15/00; H01J
 5/48; H01J 5/50; H01J 19/54; F21V 5/00;
 F21K 9/00; F21K 13/00

See application file for complete search history.

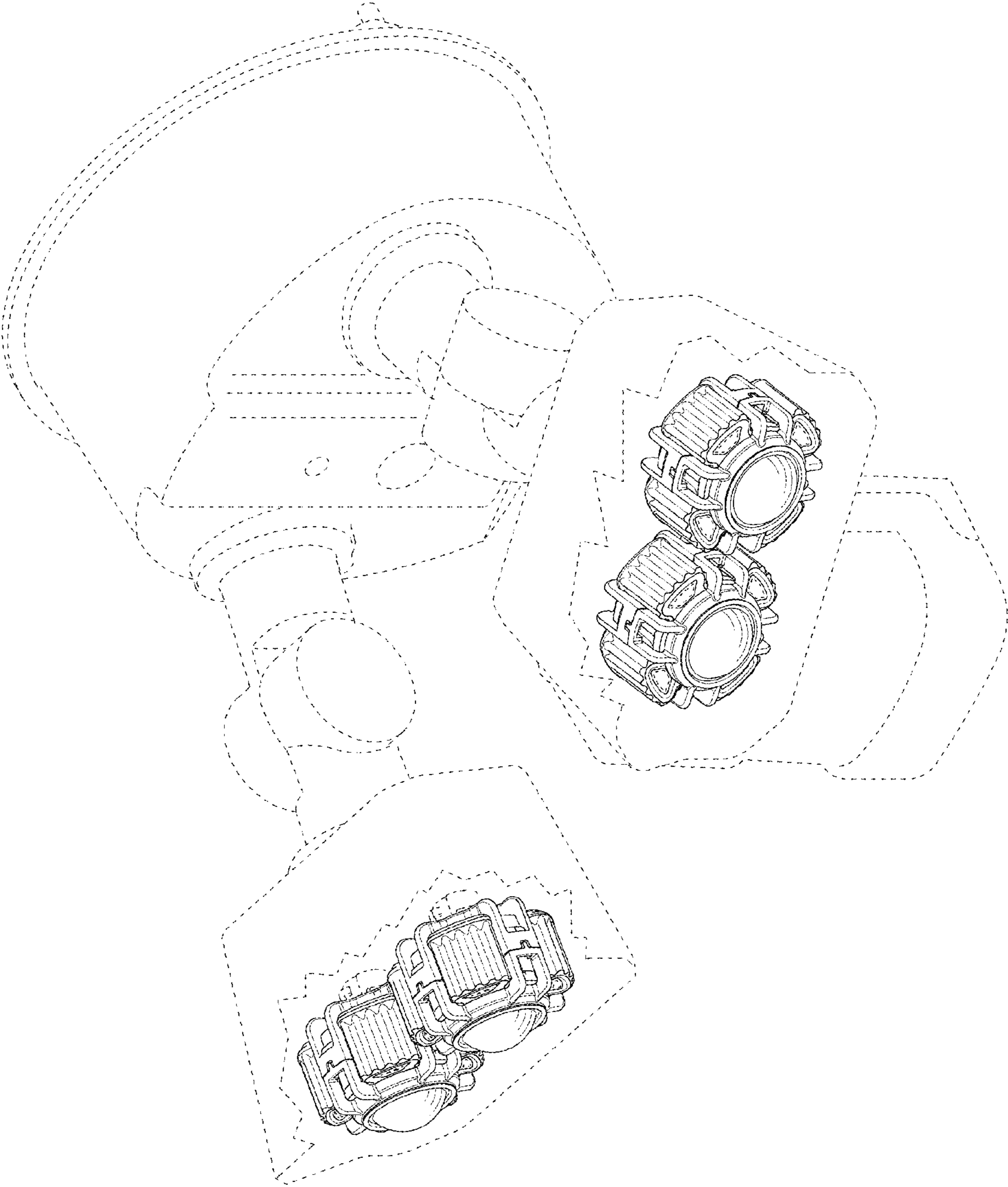


FIG. 1

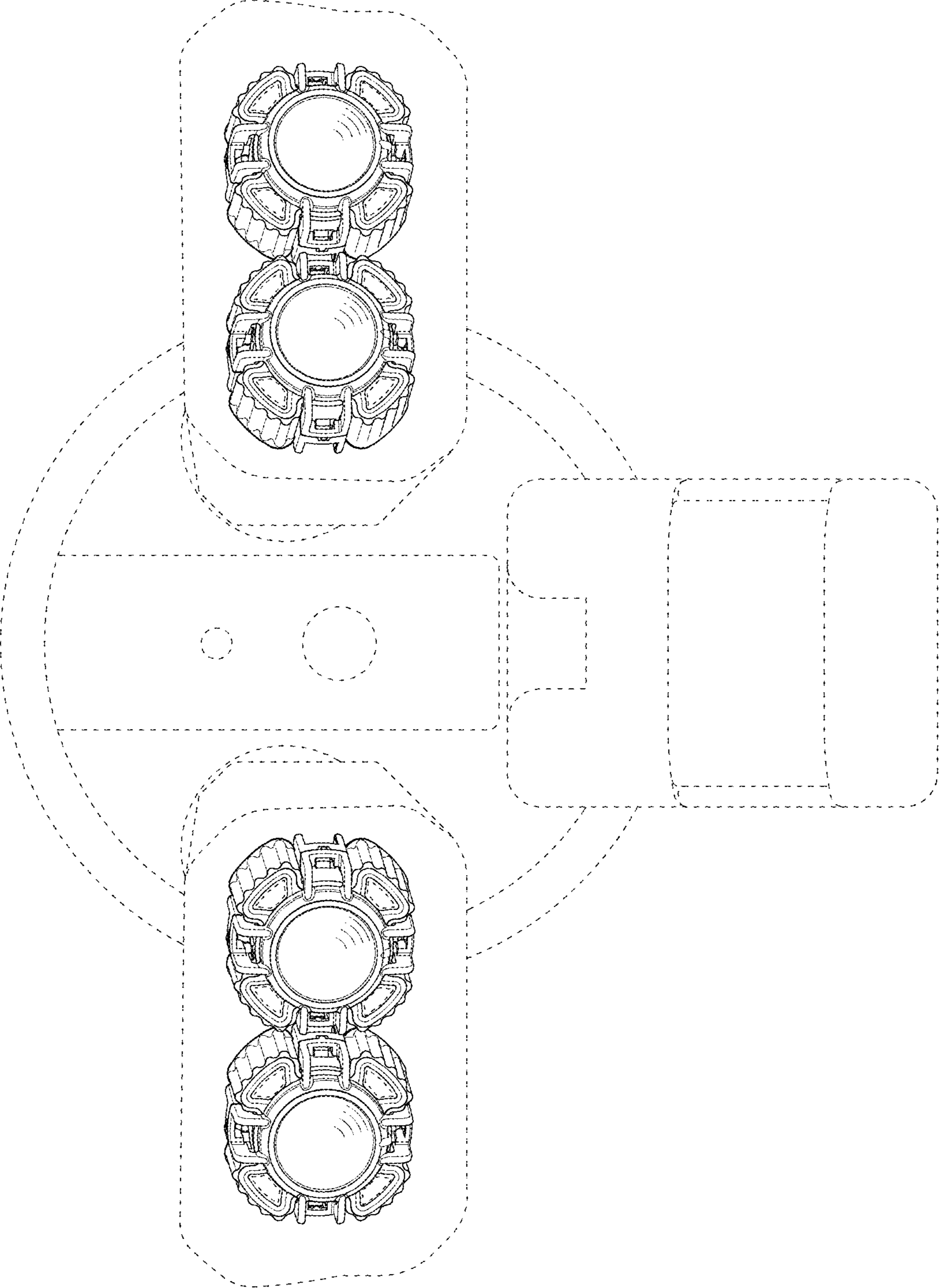


FIG. 2

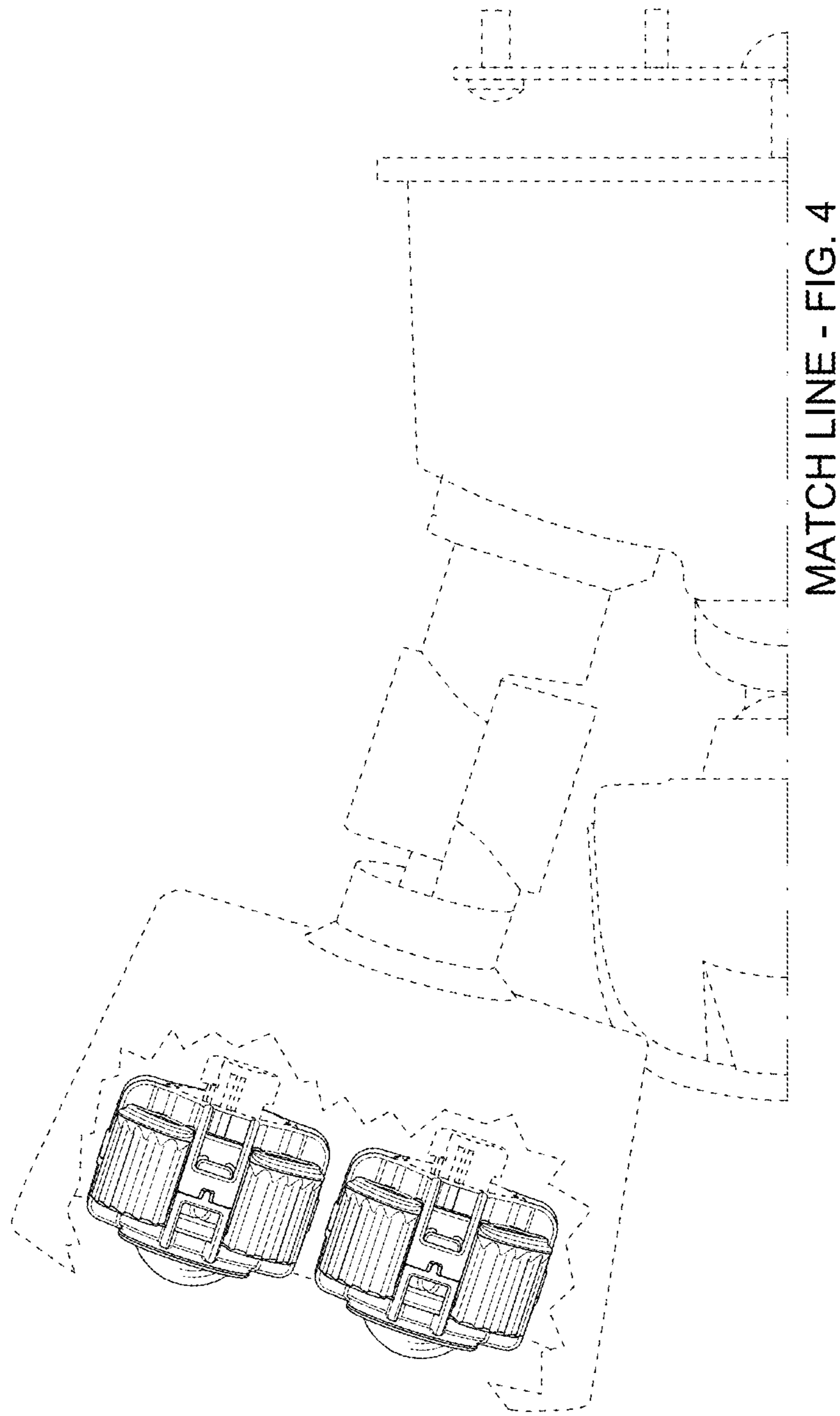


FIG. 3

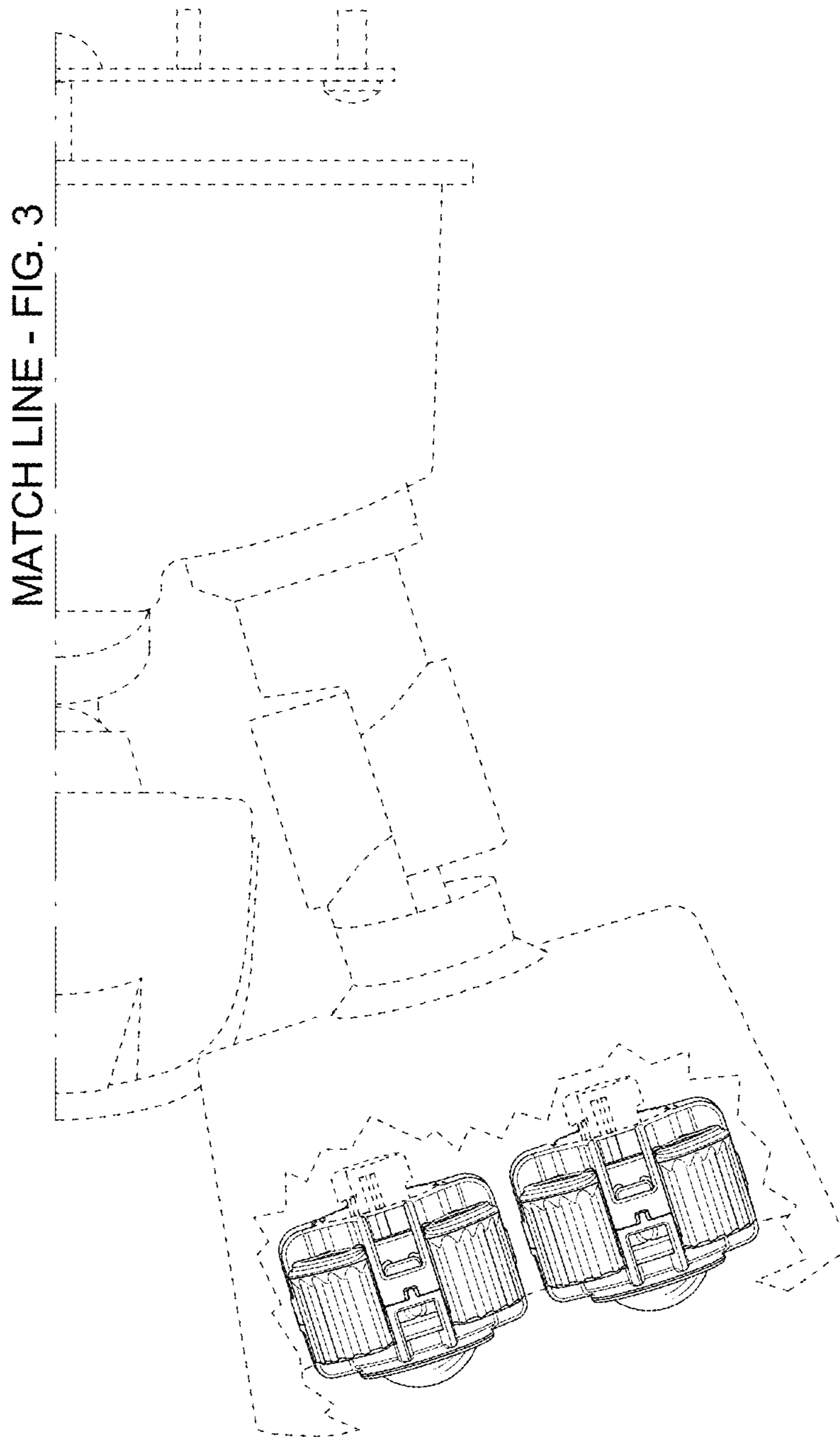


FIG. 4

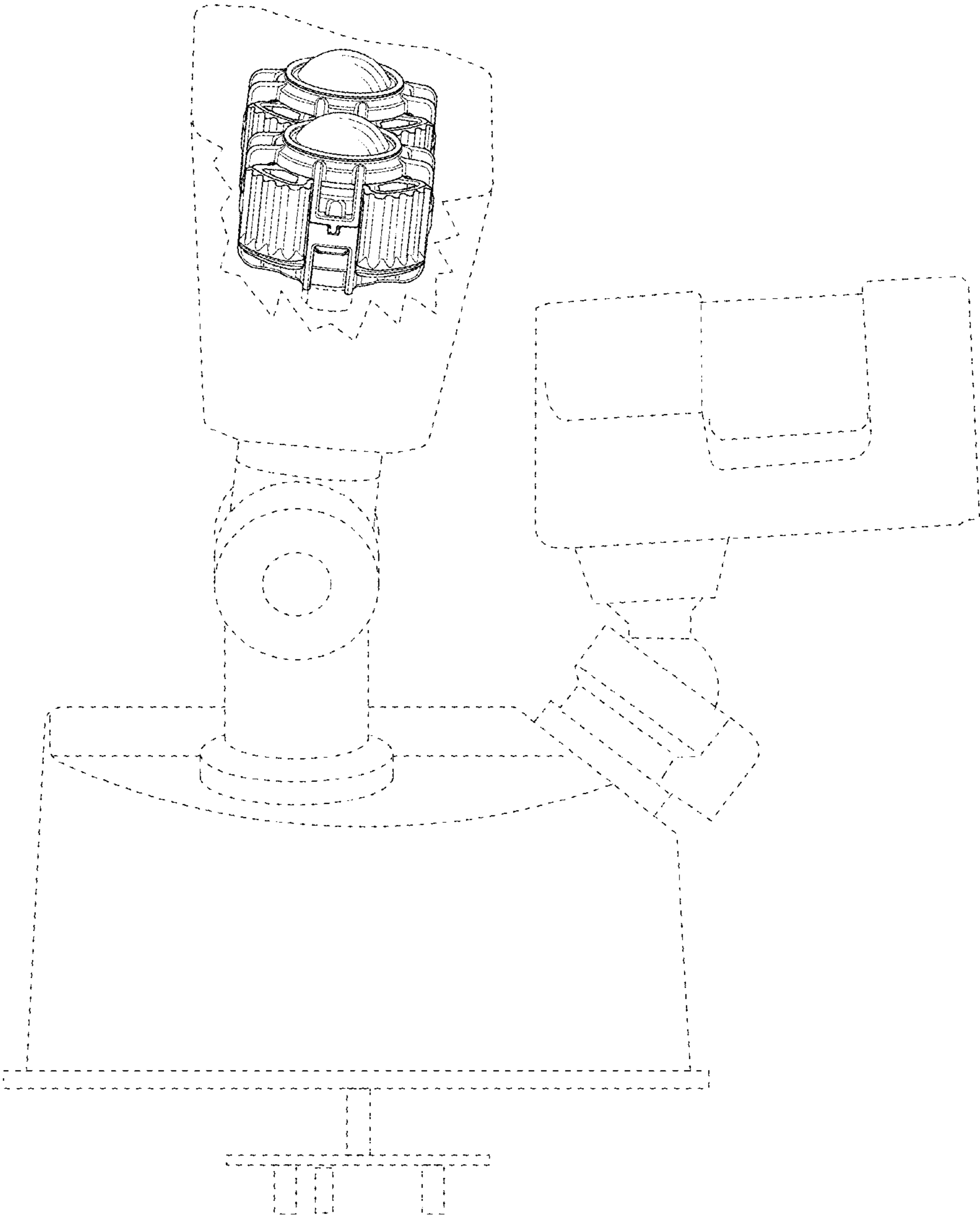


FIG. 5

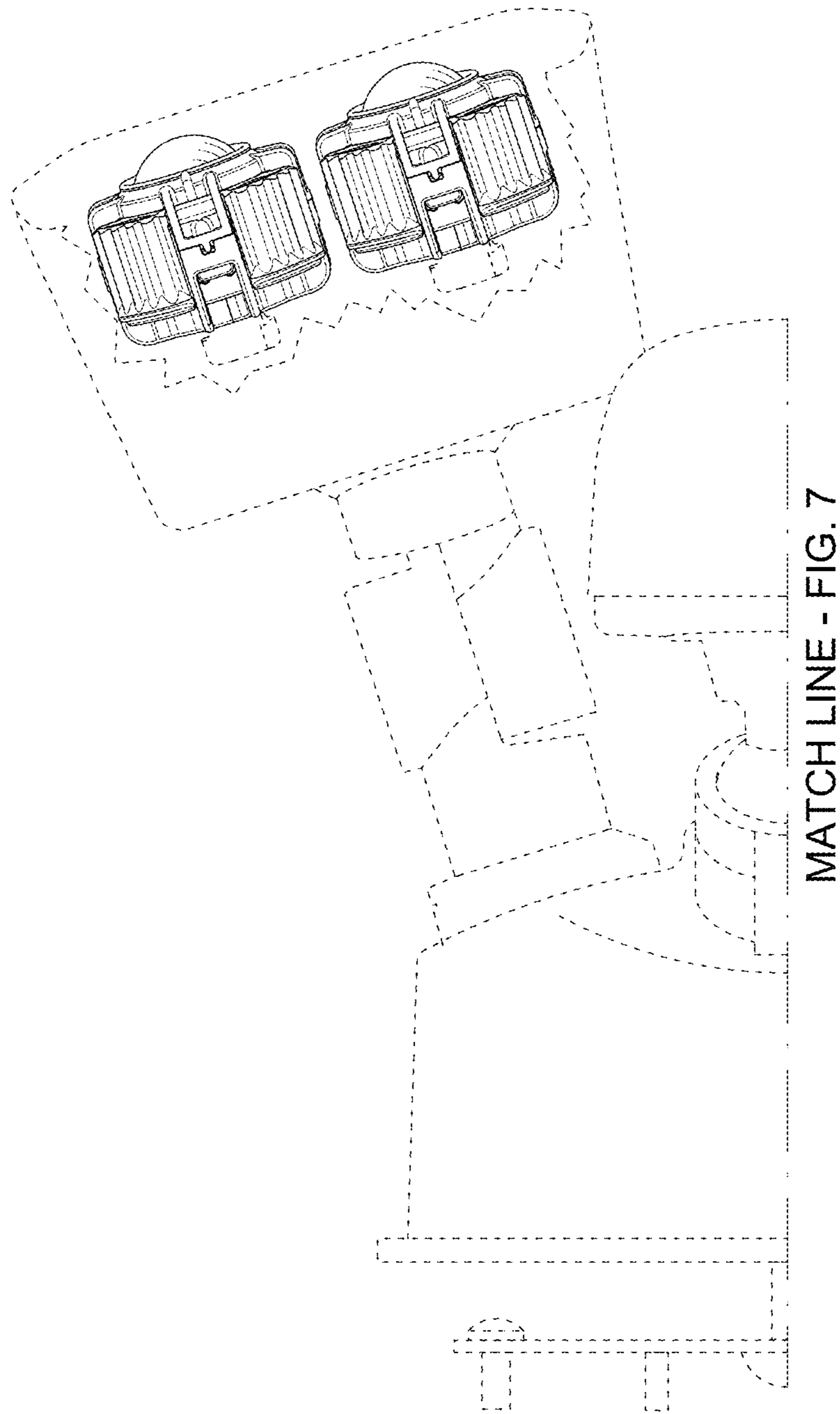


FIG. 6

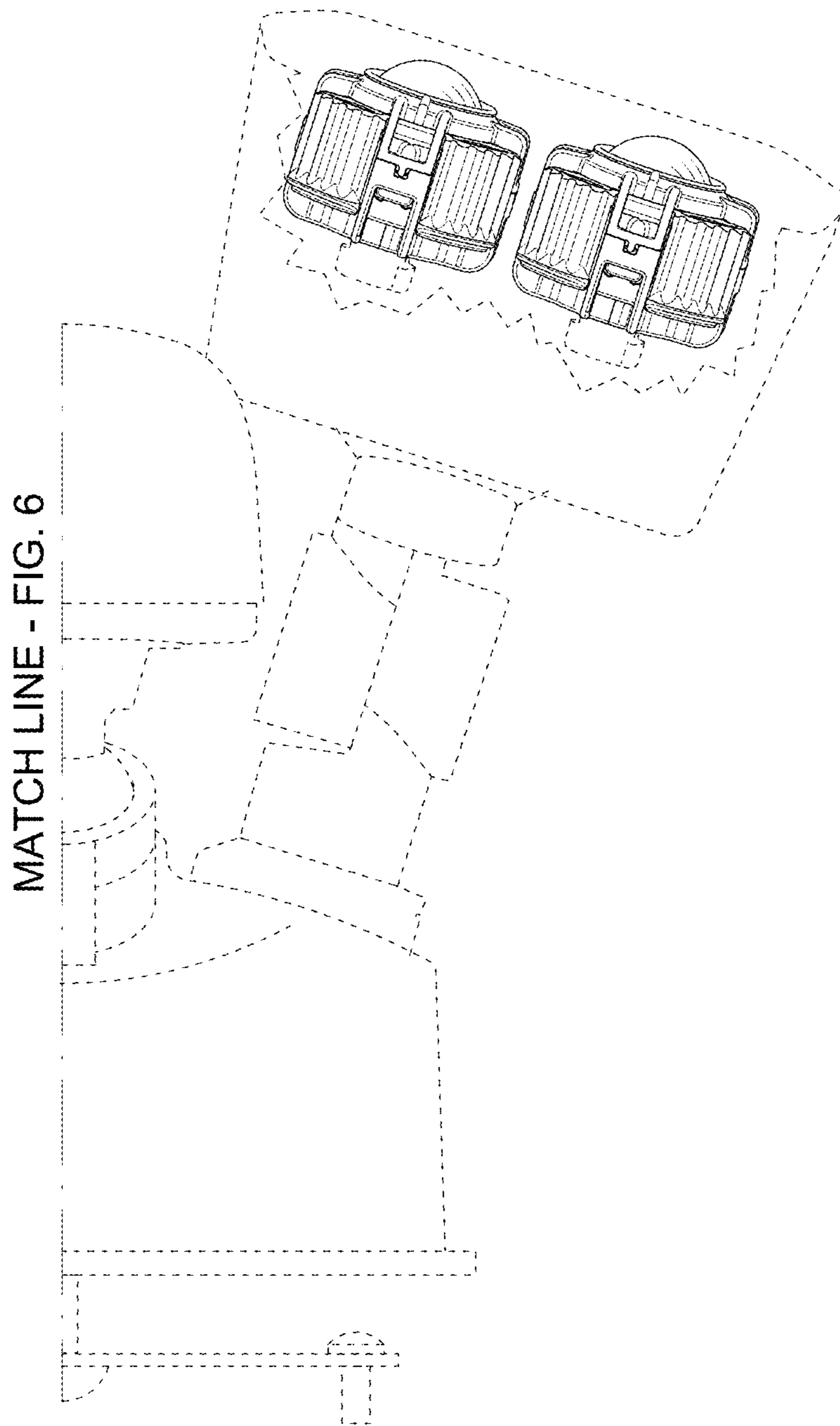


FIG. 7

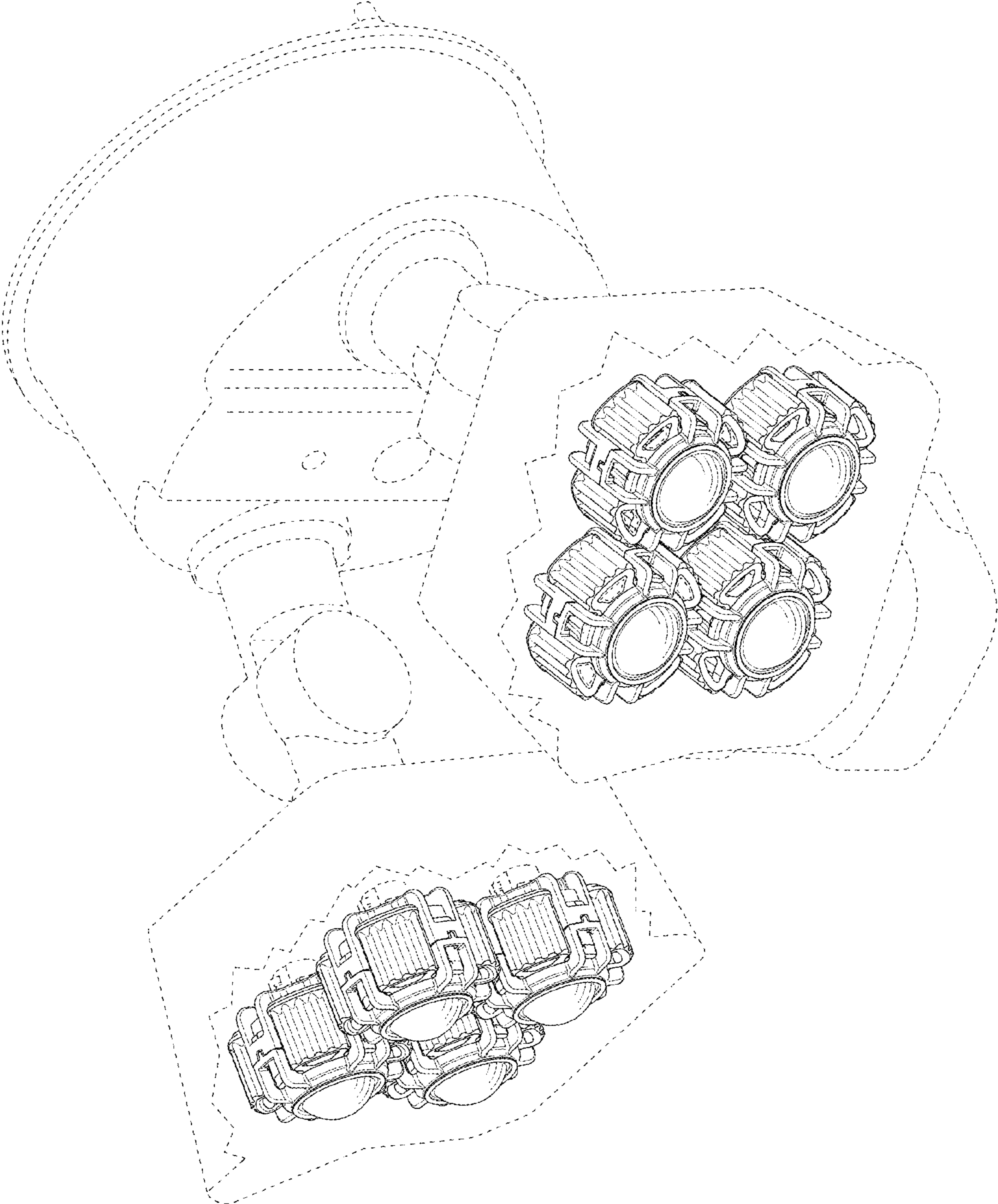


FIG. 8

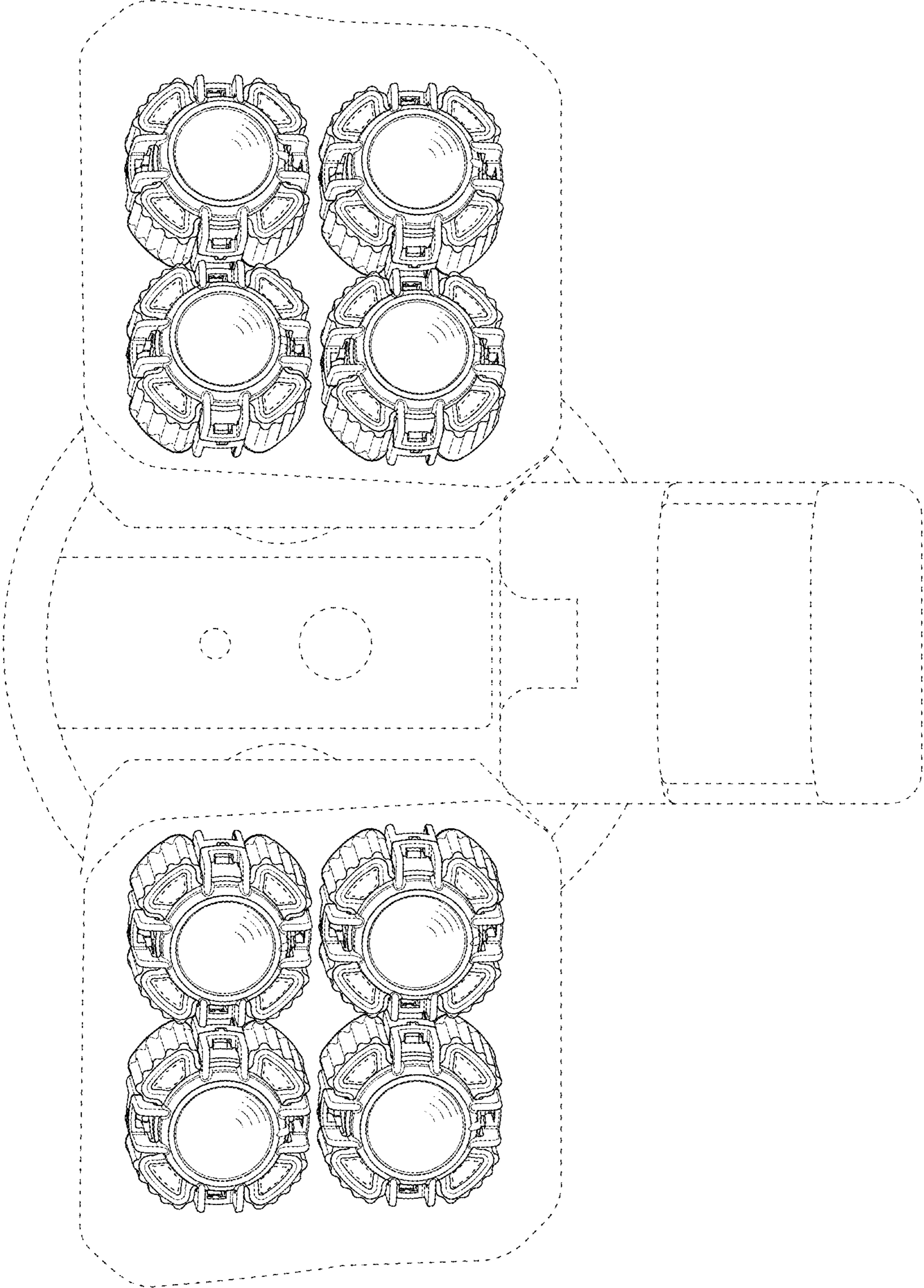
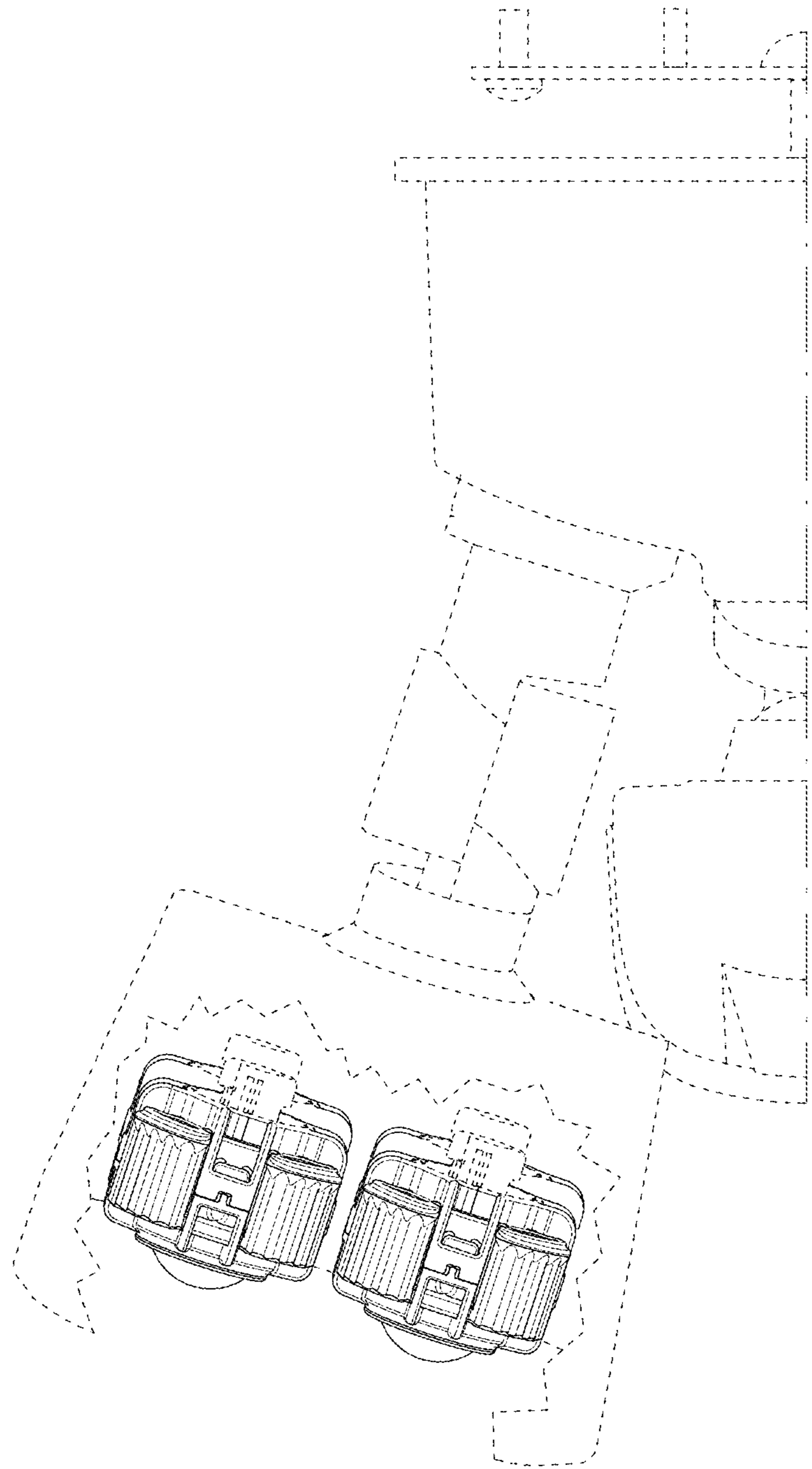


FIG. 9



MATCH LINE - FIG. 11

FIG. 10

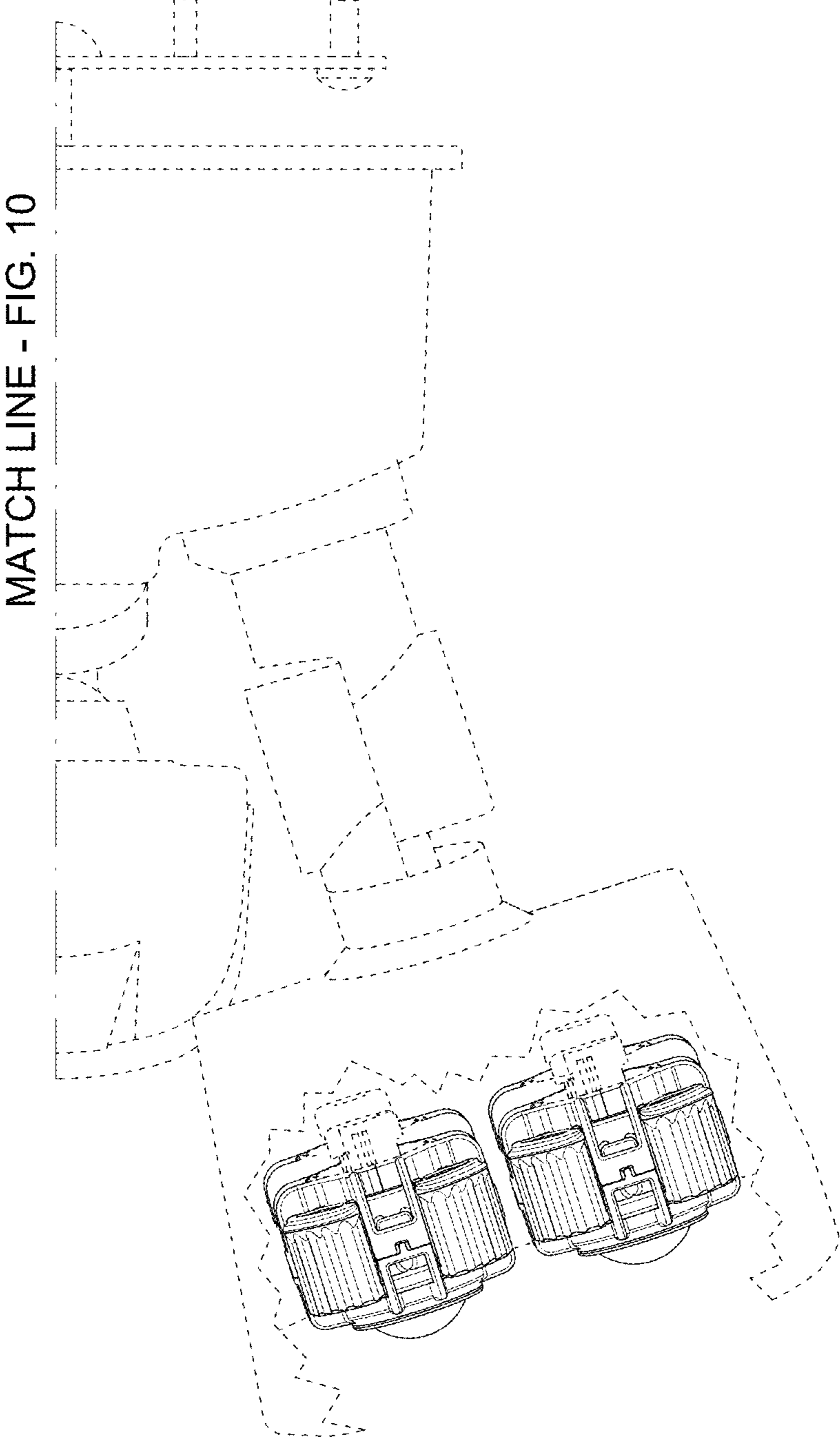


FIG. 11

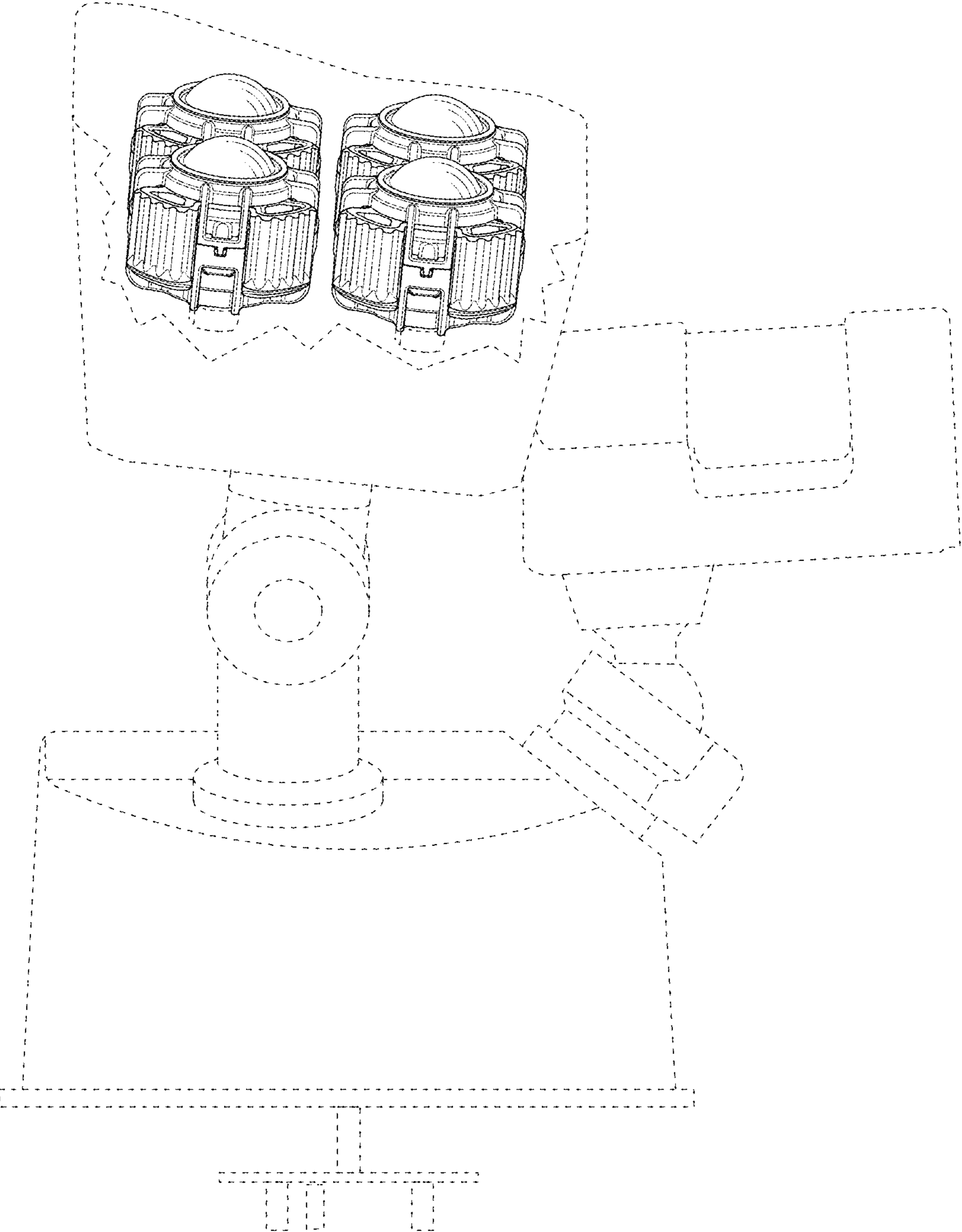
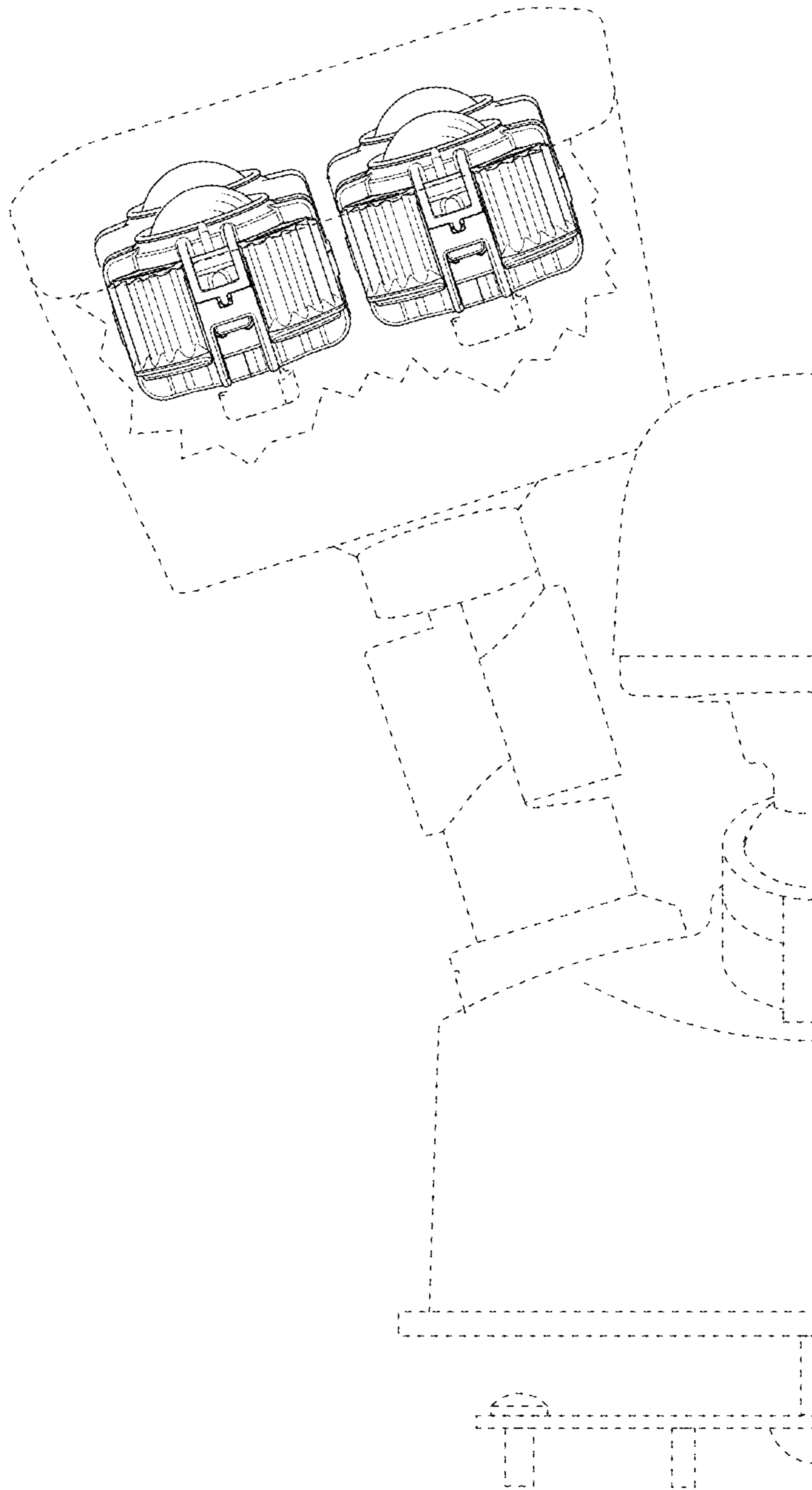


FIG. 12



MATCH LINE - FIG. 14

FIG. 13

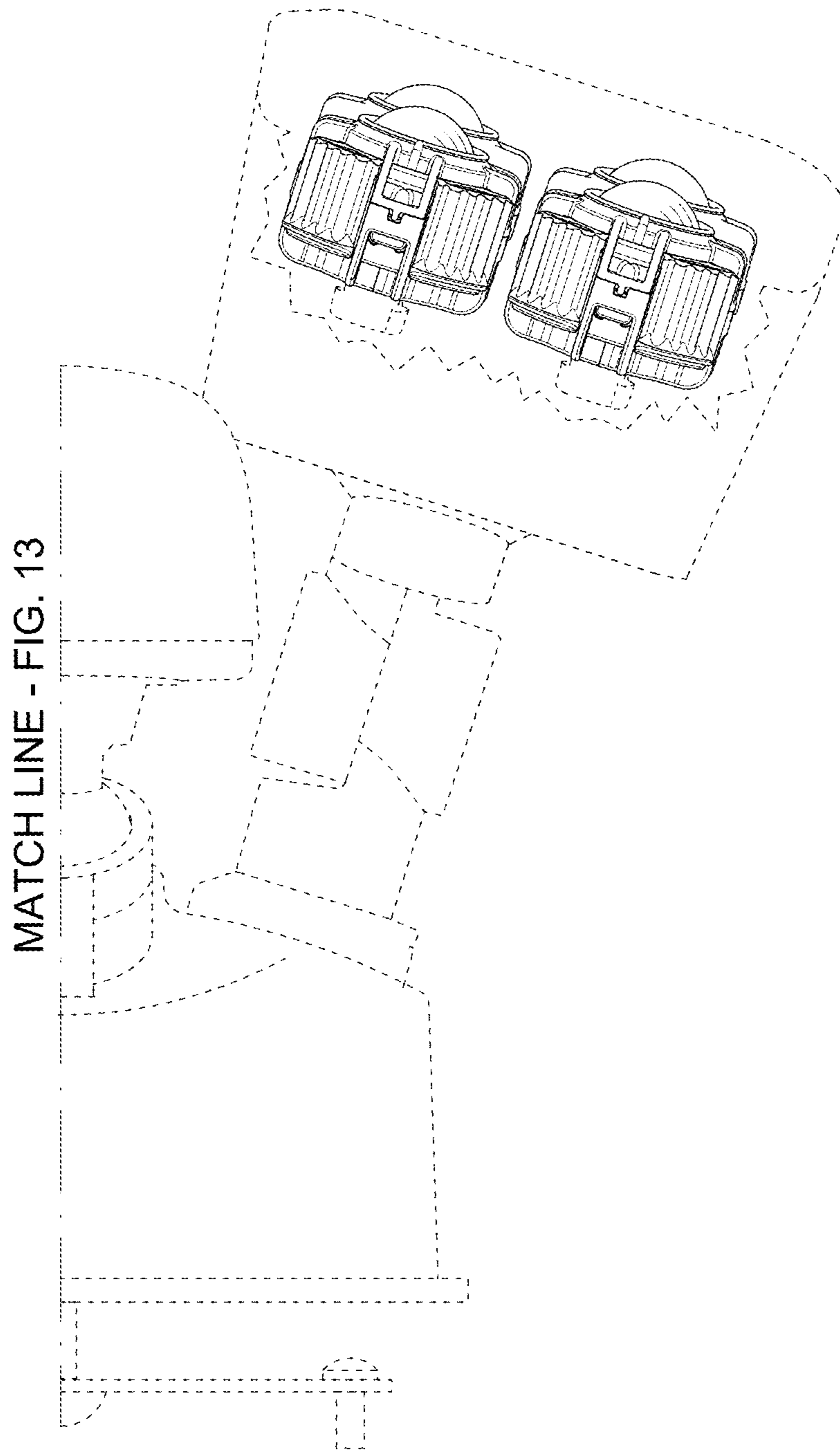


FIG. 14

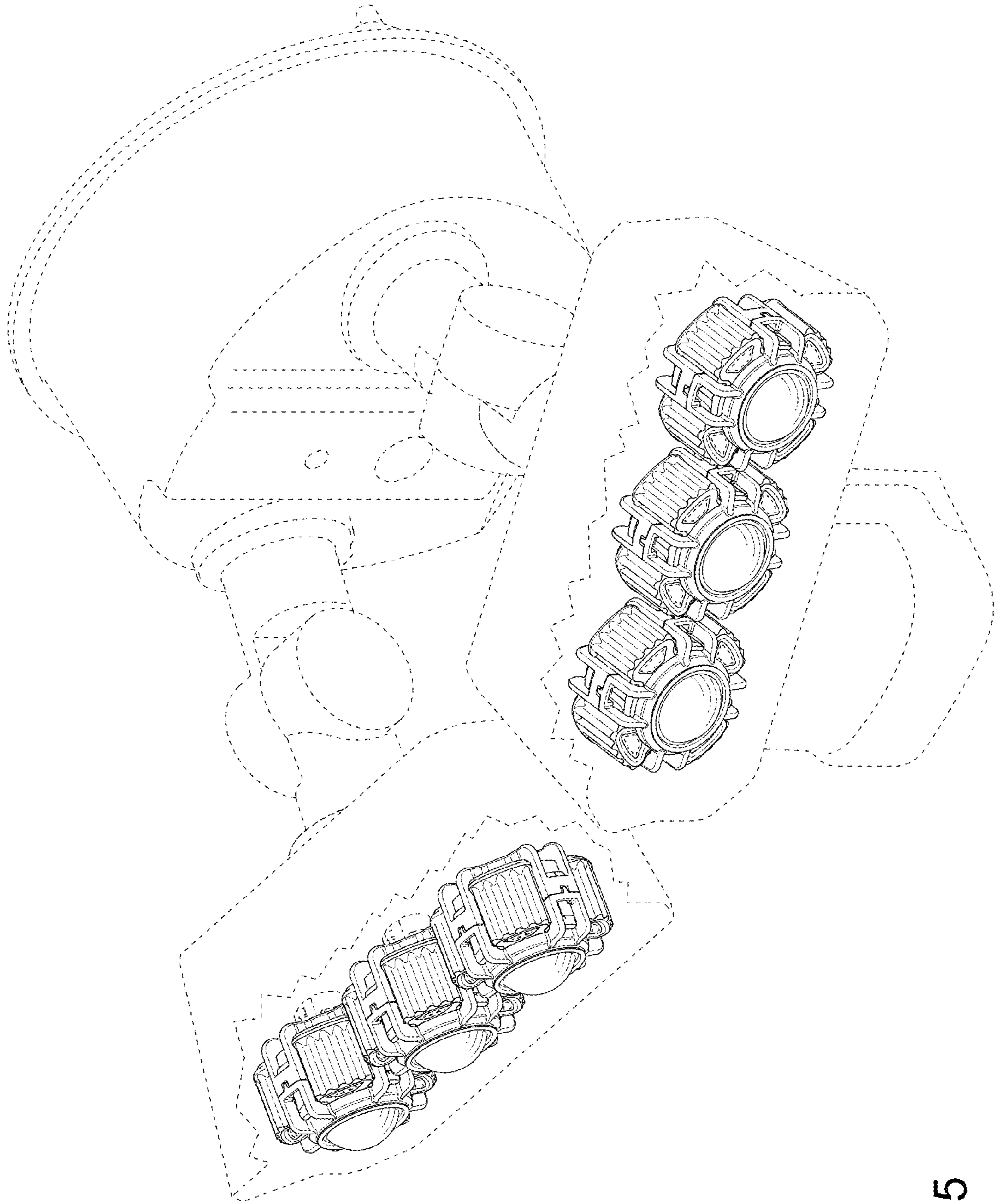


FIG. 15

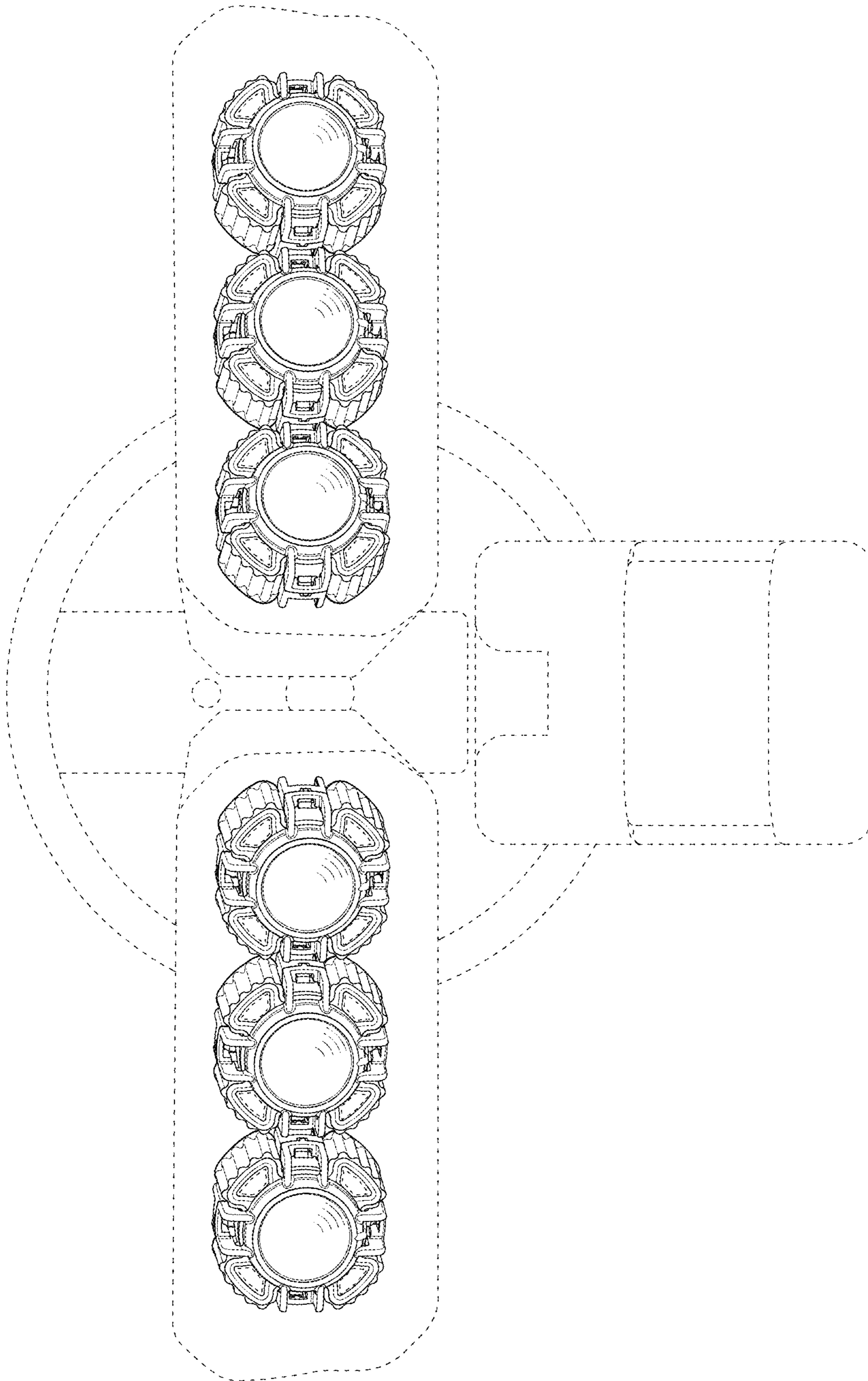
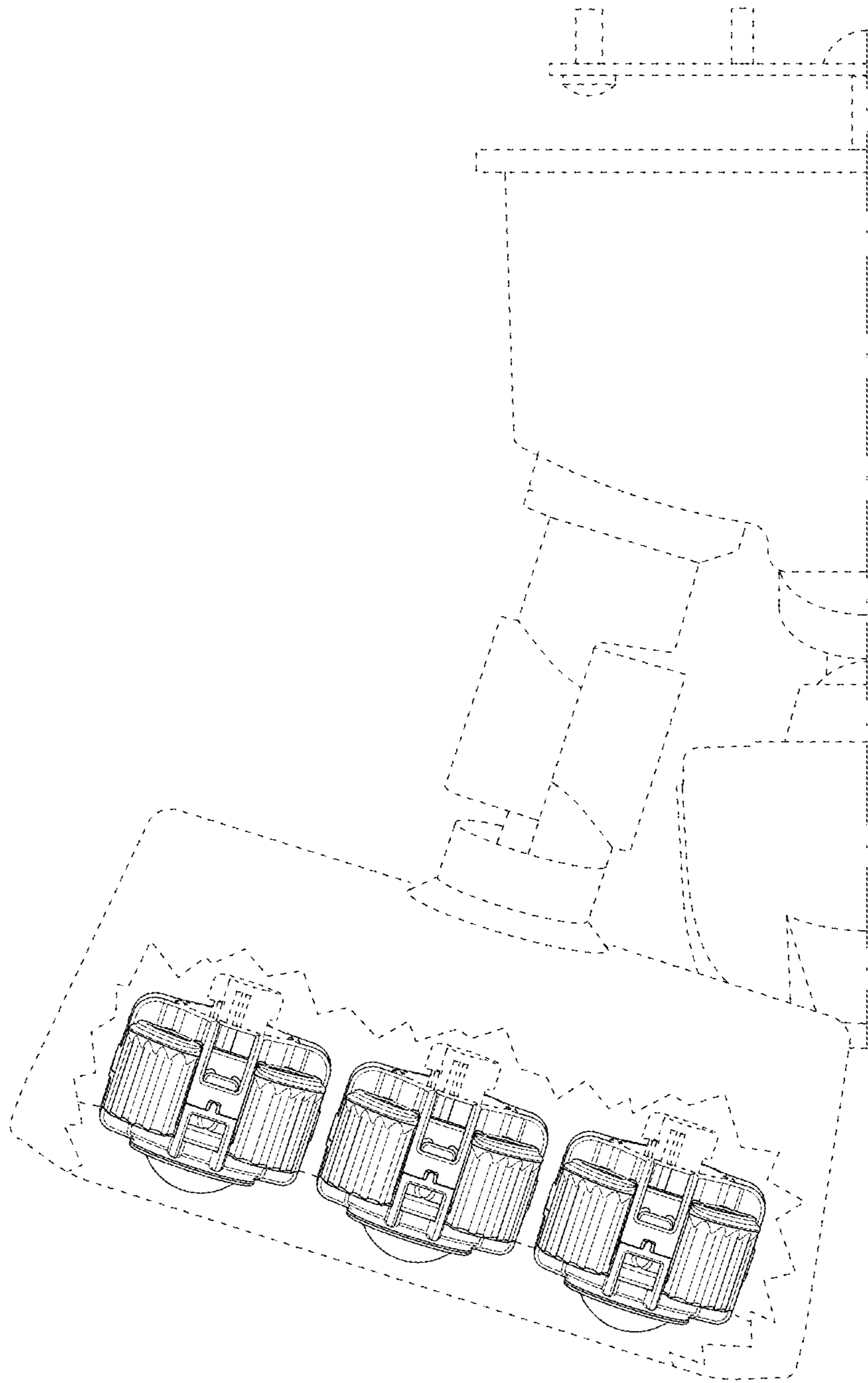


FIG. 16



MATCH LINE - FIG. 18

FIG. 17

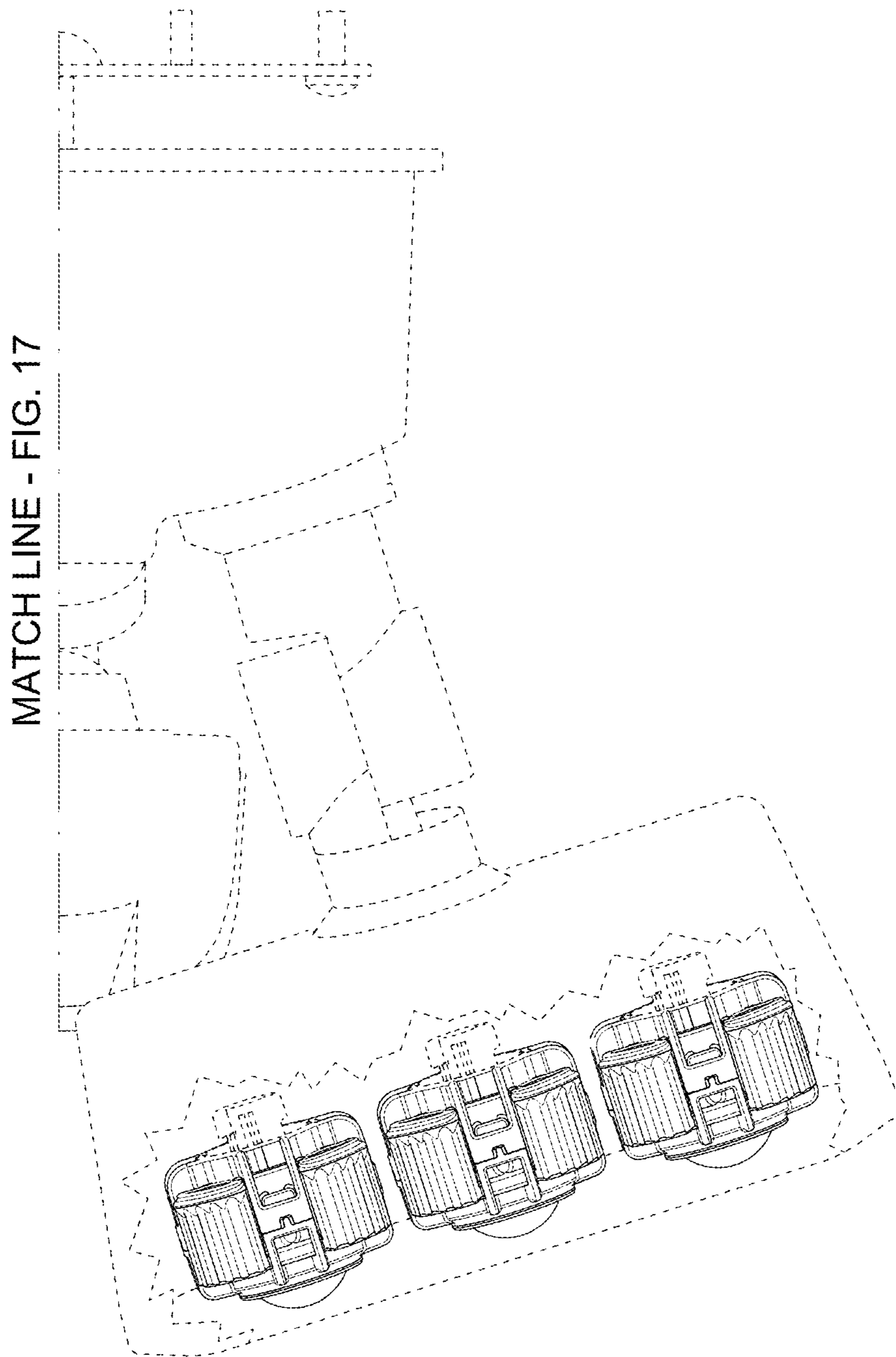


FIG. 18

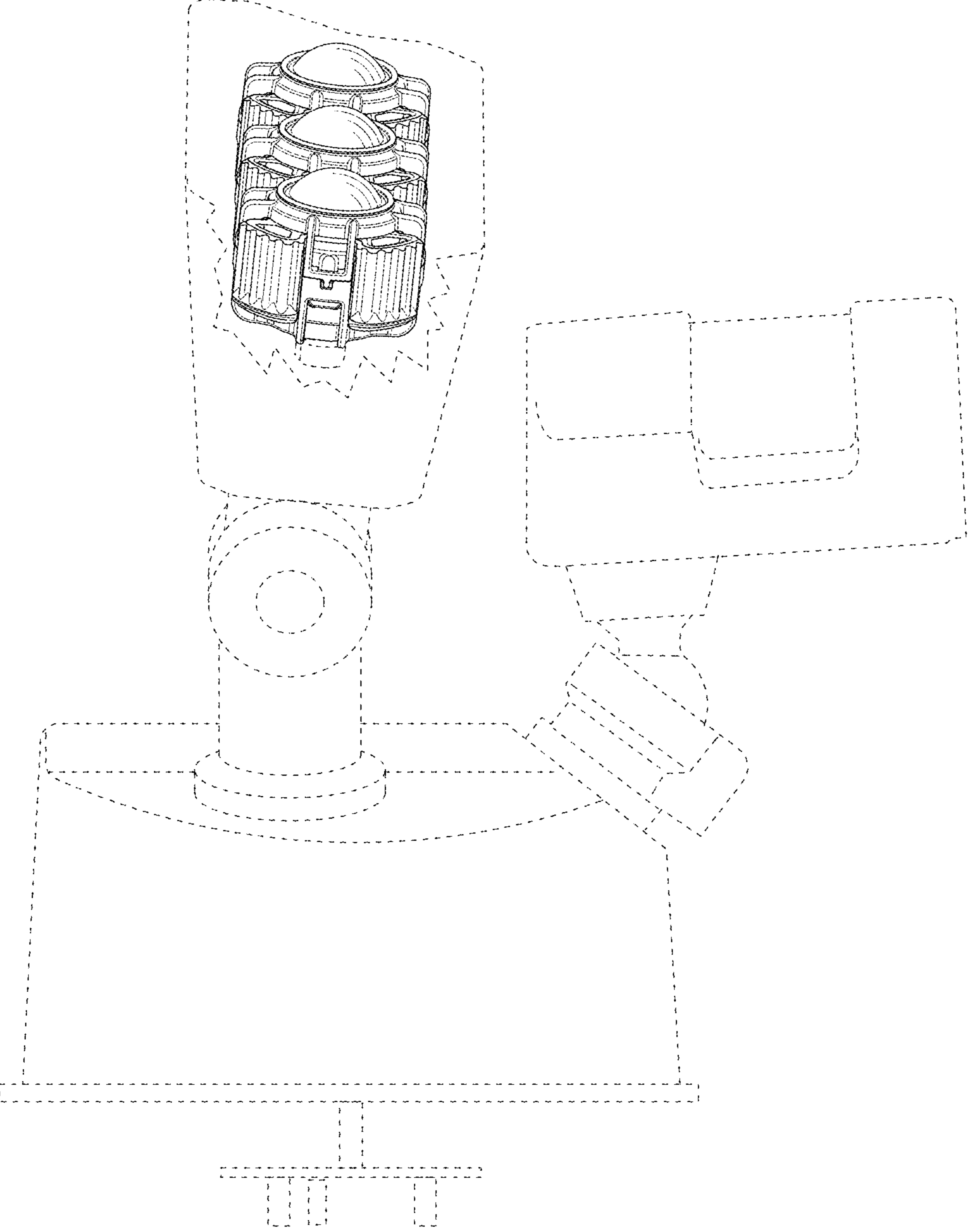
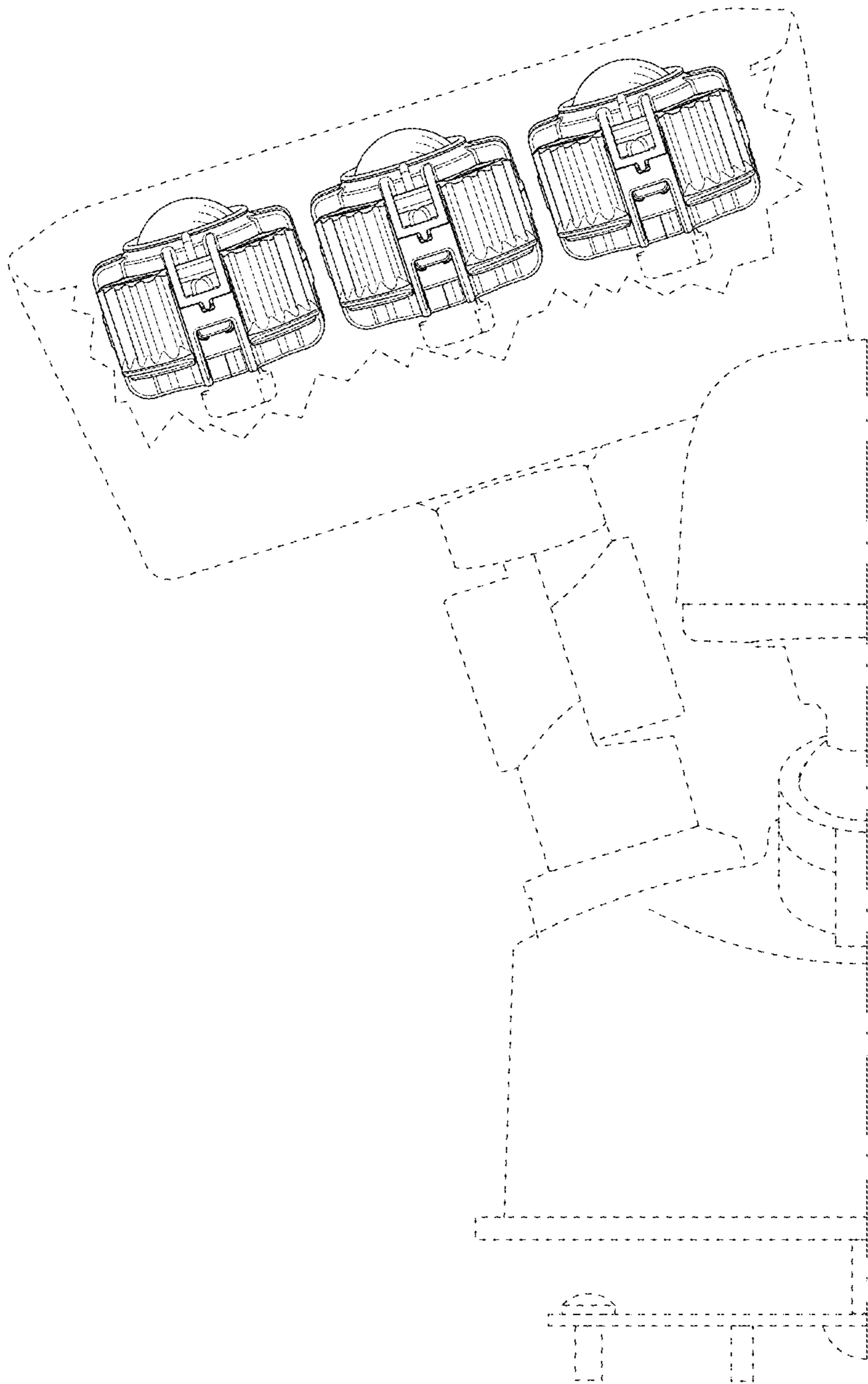


FIG. 19



MATCH LINE - FIG. 21

FIG. 20

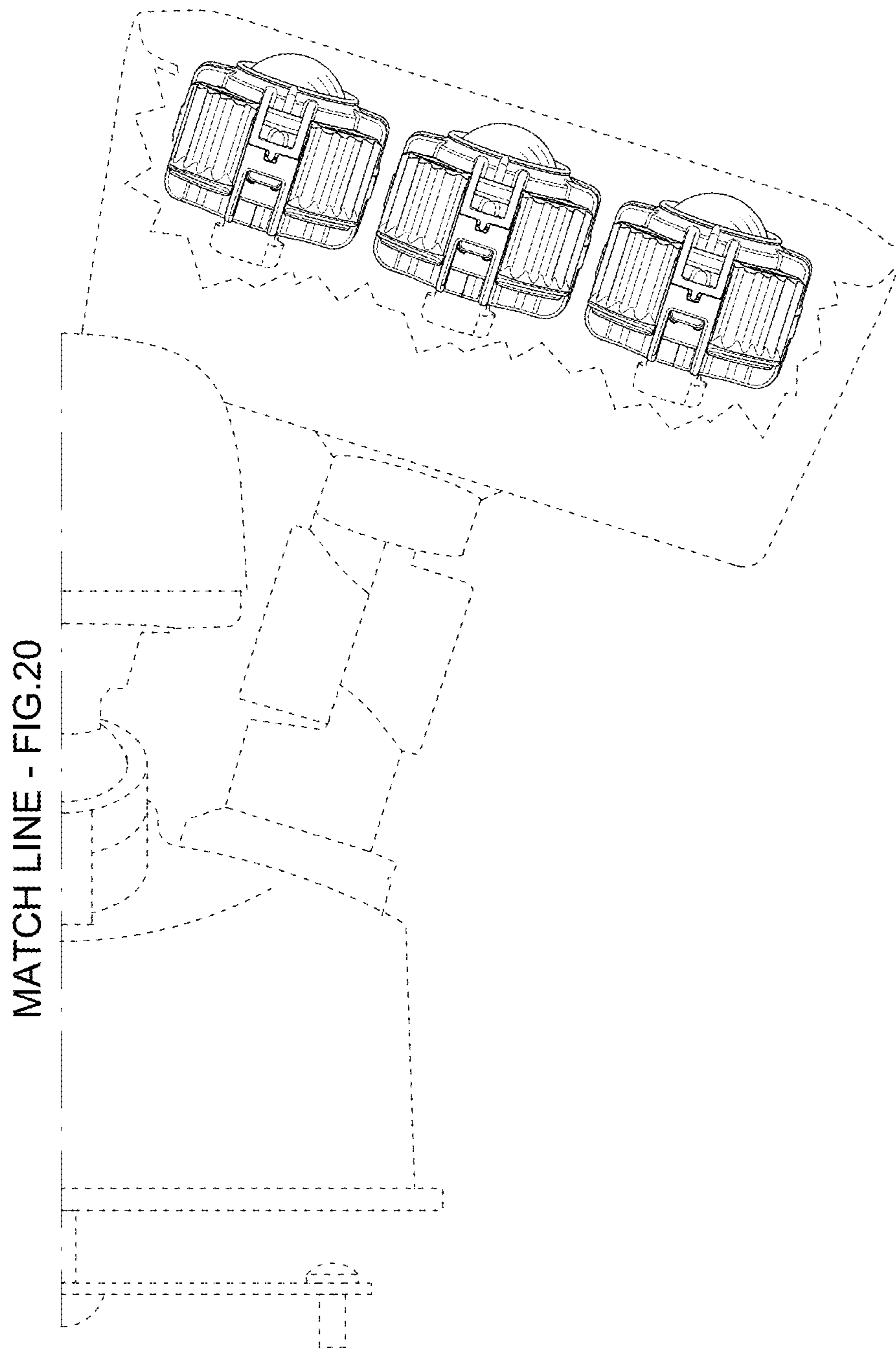


FIG. 21

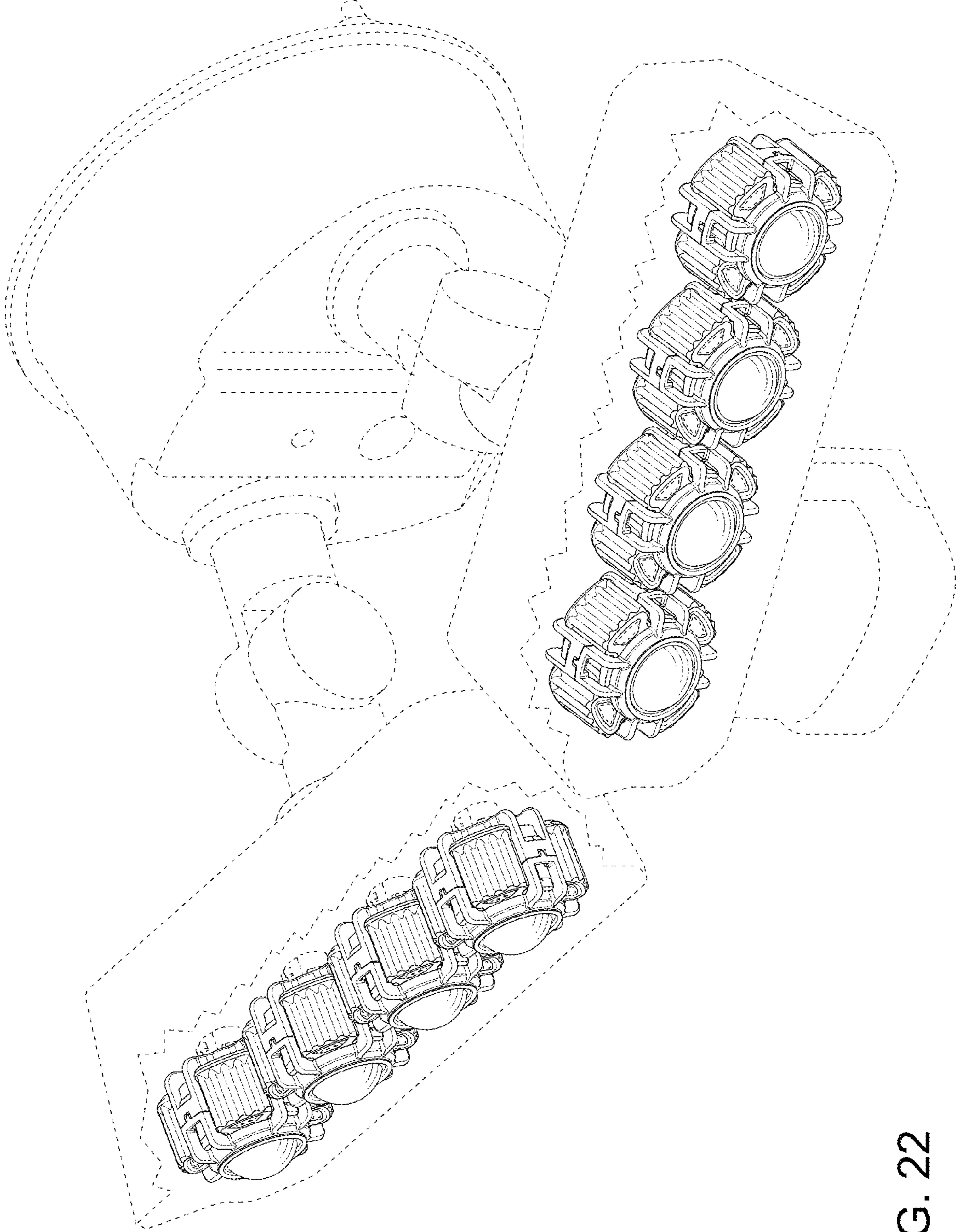


FIG. 22

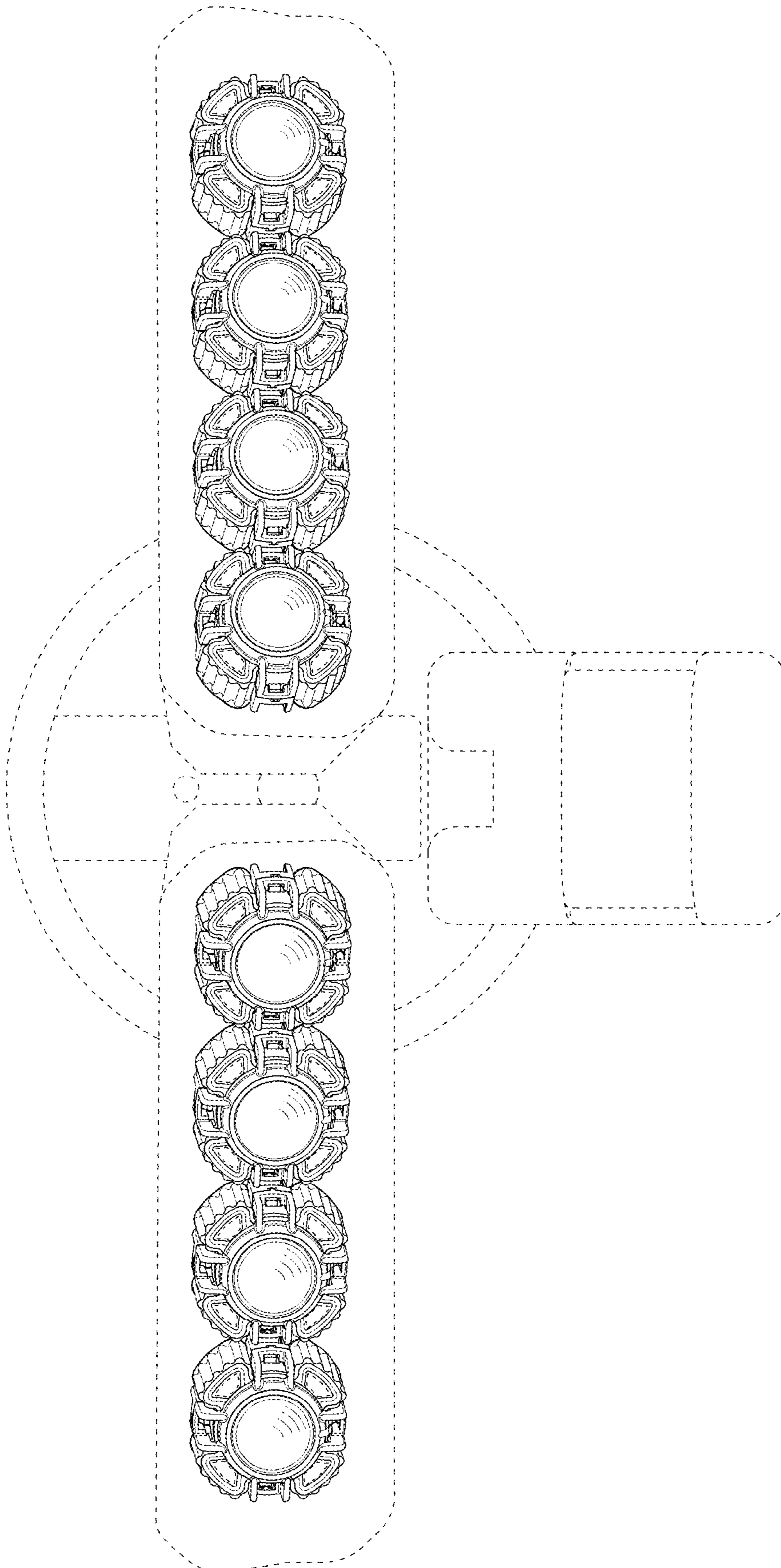
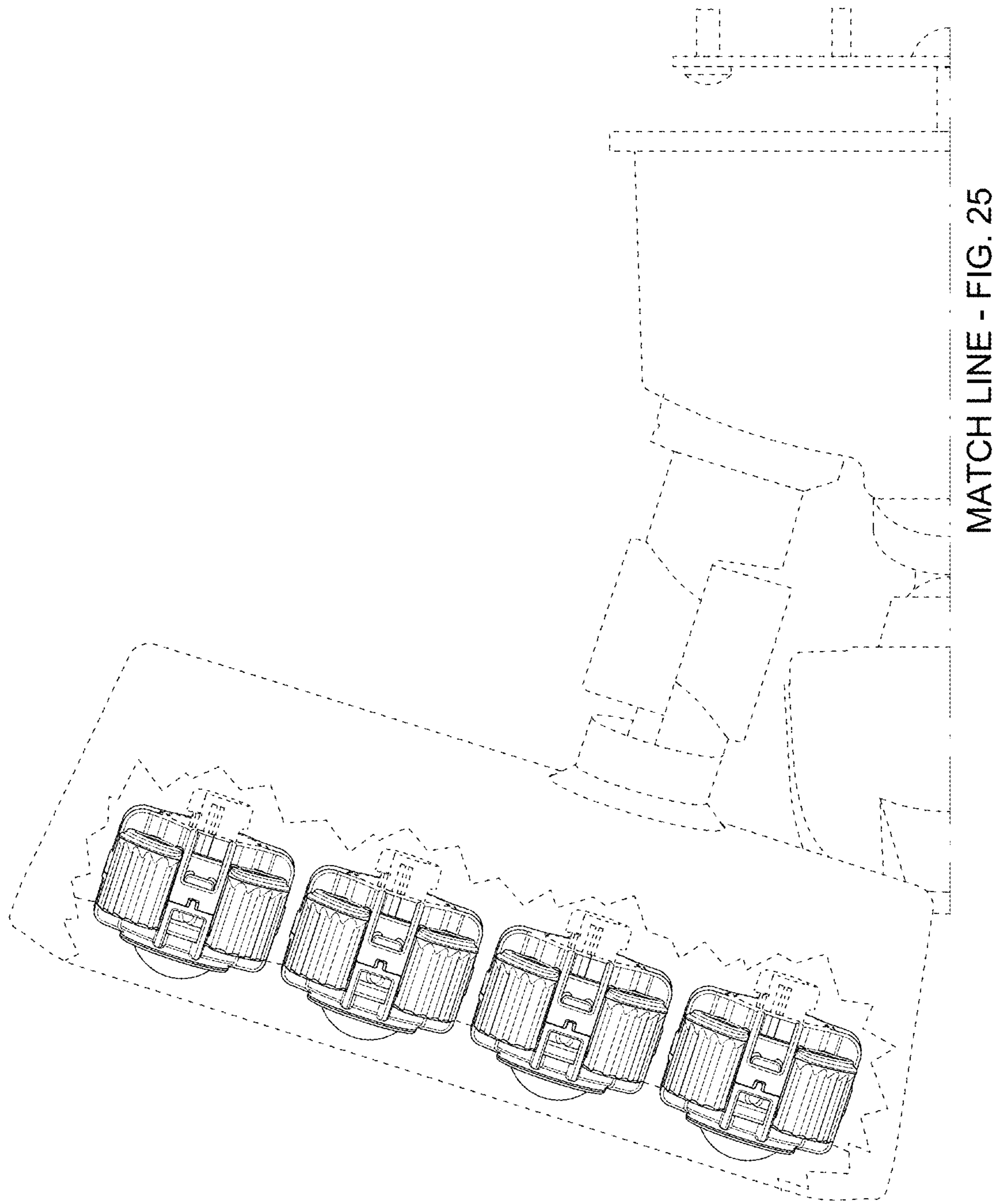


FIG. 23



MATCH LINE - FIG. 25

FIG. 24

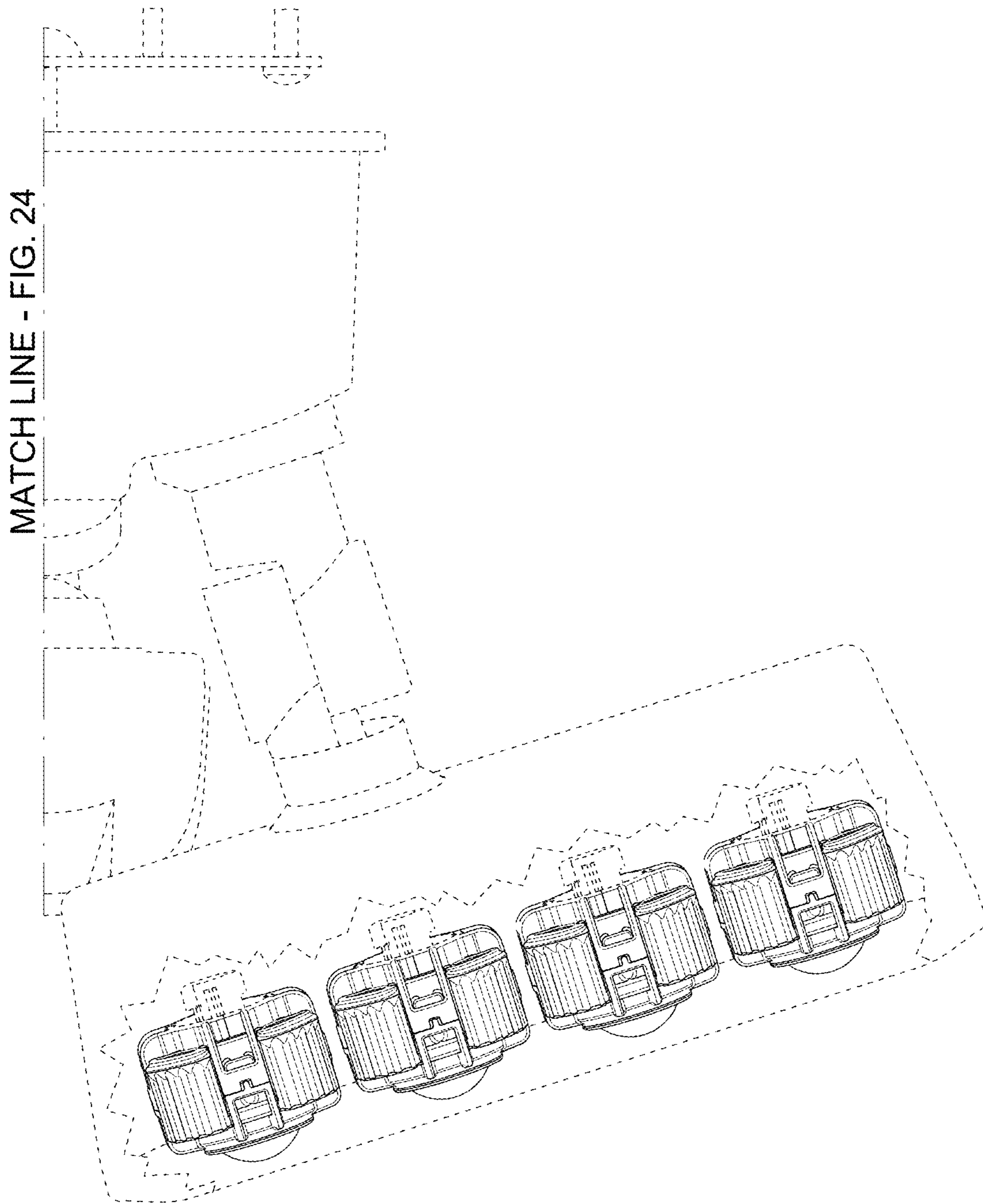


FIG. 25

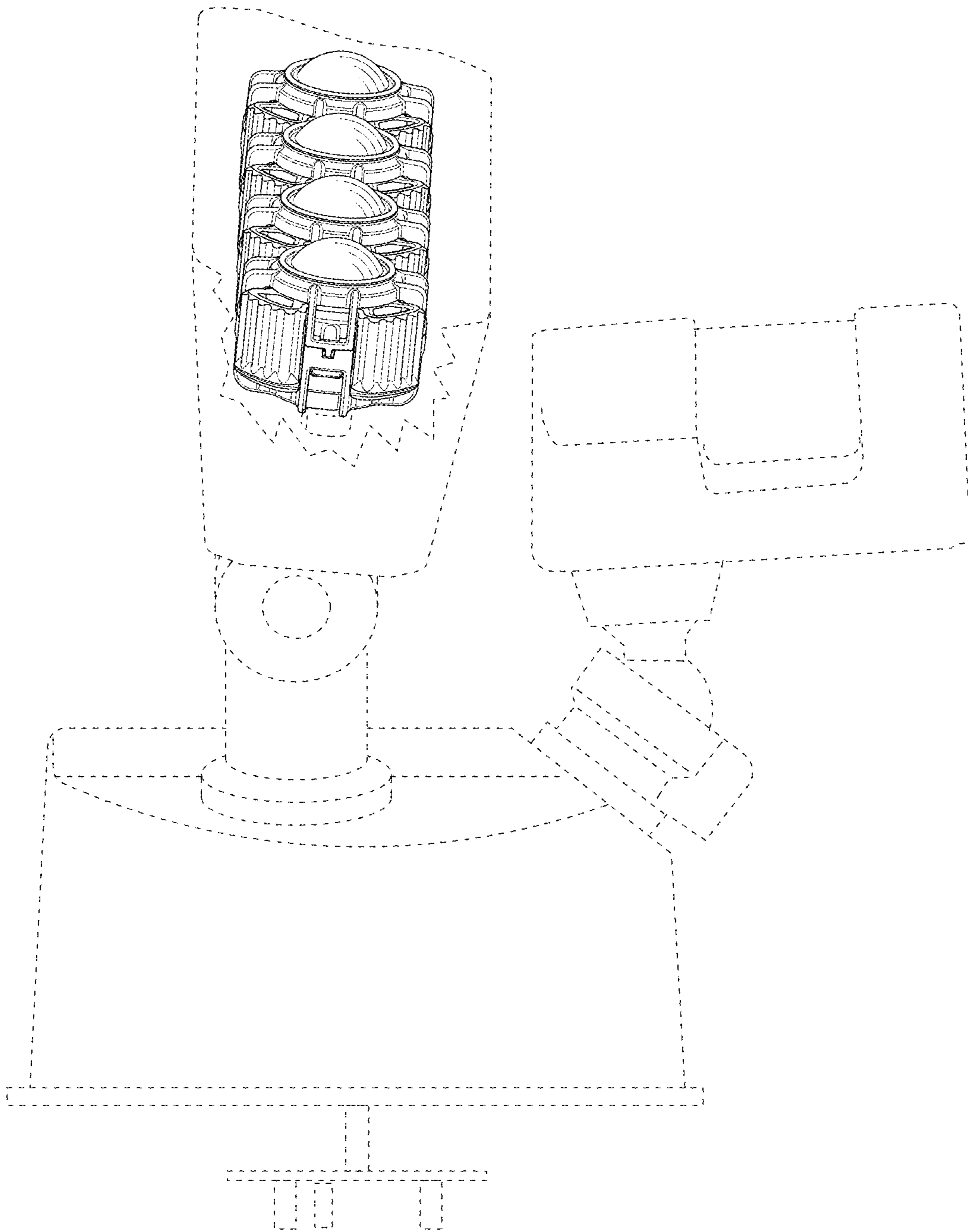


FIG. 26

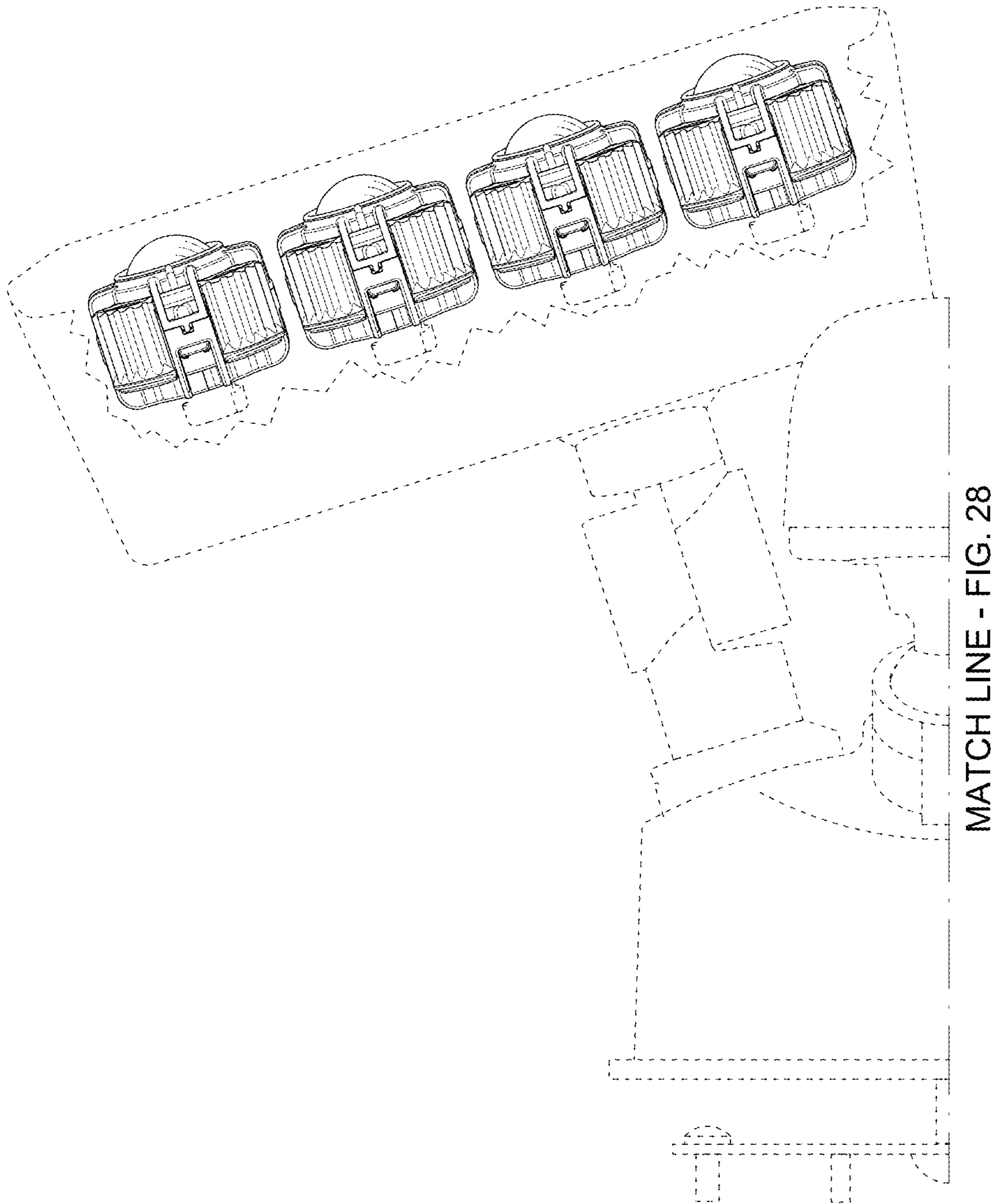


FIG. 27

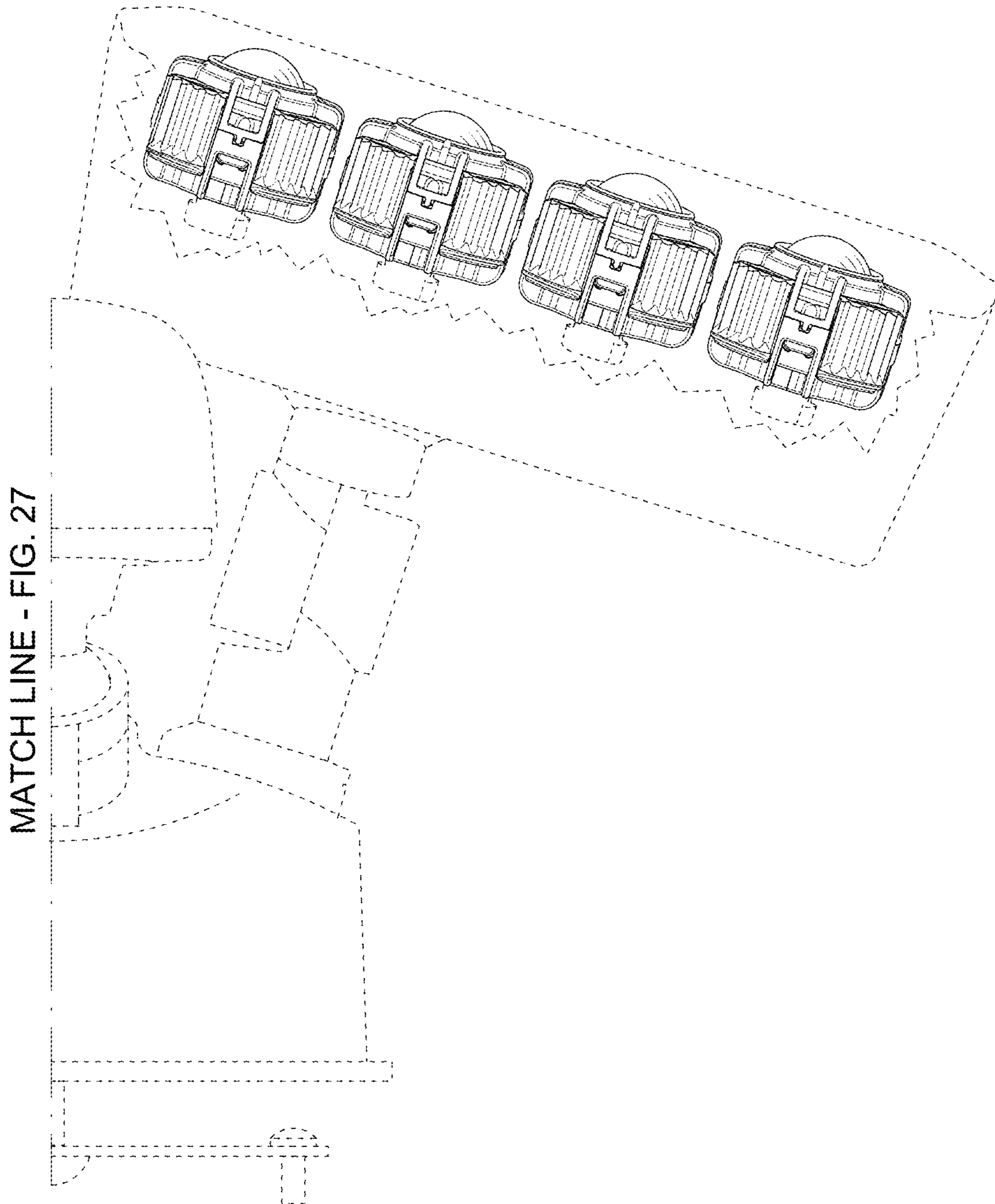


FIG. 28