

US00D923861S

(12) **United States Design Patent**
Haggar

(10) **Patent No.:** **US D923,861 S**

(45) **Date of Patent:** **** Jun. 29, 2021**

- (54) **CEILING FAN LIGHT CAGE**
- (71) Applicant: **HUNTER FAN COMPANY**,
Memphis, TN (US)
- (72) Inventor: **Alexander Jonathan Haggar**,
Memphis, TN (US)
- (73) Assignee: **Hunter Fan Company**, Memphis, TN
(US)

3,723,724 A 3/1973 Appleton
 3,838,269 A 9/1974 Bogdanovs
 D300,373 S 3/1989 Galipeau et al.
 D392,769 S 3/1998 Dolan
 D428,982 S 8/2000 Oldenburg
 D465,277 S 11/2002 Sonneman
 D485,930 S 1/2004 Chen
 D510,622 S 10/2005 Tai

(Continued)

- (**) Term: **15 Years**
- (21) Appl. No.: **29/731,483**
- (22) Filed: **Apr. 15, 2020**

Related U.S. Application Data

- (63) Continuation of application No. 29/695,709, filed on Jun. 21, 2019, now Pat. No. Des. 885,647, which is a continuation of application No. 29/641,197, filed on Mar. 20, 2018, now Pat. No. Des. 856,572.

- (51) **LOC (13) Cl.** **26-05**
- (52) **U.S. Cl.**
USPC **D26/119; D26/59**

- (58) **Field of Classification Search**
USPC D26/24, 59, 67, 105, 113, 118, 119, 120,
D26/123, 124, 128, 137, 138; D30/101,
D30/102, 104; D8/300, 301, 310;
362/185, 186, 235, 317, 351; D23/377,
D23/385, 411
CPC F21V 15/01; F21V 15/02; F21V 15/012;
F21V 3/00; F21V 3/02; F21V 3/049;
F21V 3/061; F21V 29/20; F21V 29/506;
F21V 29/507

See application file for complete search history.

- (56) **References Cited**

U.S. PATENT DOCUMENTS

1,369,929 A 3/1921 Lumley
 2,739,222 A 3/1956 Gard

OTHER PUBLICATIONS

<https://www.craftmade.com/exterior-lighting/fairmont>, Craftmade Fairmount Light Pendant, Model No. Z5821-88, accessed Sep. 21, 2017.

(Continued)

Primary Examiner — Wan Laymon
Assistant Examiner — Clint A Samuel

(74) *Attorney, Agent, or Firm* — McGarry Bair PC

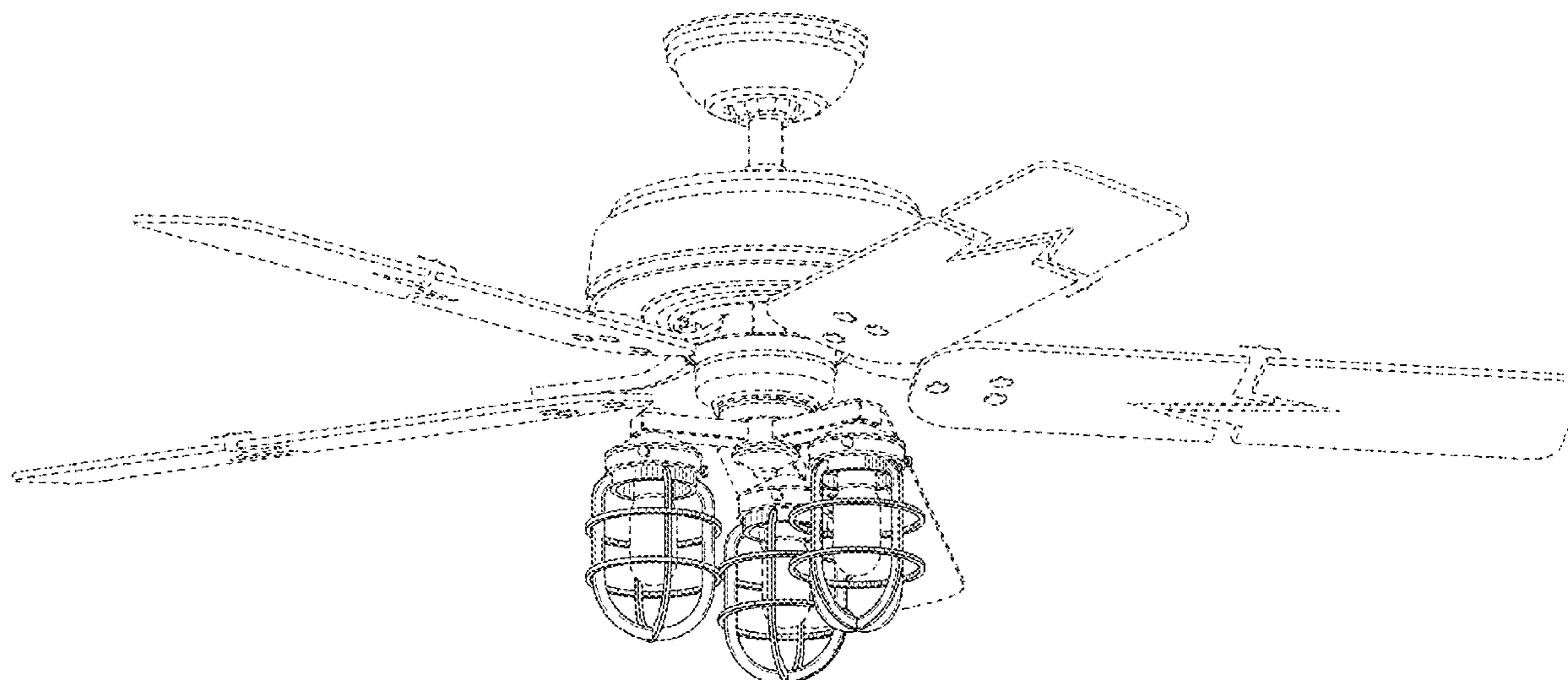
(57) **CLAIM**

The ornamental design for a ceiling fan light cage, as shown and described.

DESCRIPTION

FIG. 1 is a bottom perspective view of a ceiling fan light cage in the environment of a ceiling fan, showing my new design;
 FIG. 2 is a top perspective view of the ceiling fan light cage without the ceiling fan environment;
 FIG. 3 is a top view thereof;
 FIG. 4 is a bottom view thereof;
 FIG. 5 is a right side view thereof;
 FIG. 6 is a left side view thereof;
 FIG. 7 is a front view thereof; and,
 FIG. 8 is a rear view thereof.
 Portions of the ceiling fan light cage and the ceiling fan environment are shown in broken lines, which form no part of the claimed design.

1 Claim, 8 Drawing Sheets



(56)

References Cited

U.S. PATENT DOCUMENTS

D516,200	S	2/2006	Pickett	
D517,197	S	3/2006	Pickett	
7,011,425	B2	3/2006	Micele, Jr. et al.	
7,036,949	B2	5/2006	Srass et al.	
D541,973	S	5/2007	Dolan	
D585,585	S	1/2009	Hidalgo	
7,988,327	B1	8/2011	Knoble et al.	
D653,795	S	2/2012	Guercio et al.	
D673,319	S	12/2012	Guercio et al.	
8,348,476	B2	1/2013	Fletcher et al.	
D699,339	S	2/2014	Wang	
D732,157	S	6/2015	Lin et al.	
D808,002	S	1/2018	Holmes	
D821,017	S	6/2018	Brannon	
D834,172	S	11/2018	Guthrie	
D834,698	S	11/2018	Hidalgo	
D840,017	S	2/2019	Holmes	
D851,809	S	6/2019	Brannon	
D855,872	S	8/2019	Lan	
D856,572	S	8/2019	Haggar	
D858,863	S	9/2019	Deng	
D876,696	S *	2/2020	Holmes	D26/59
D876,698	S *	2/2020	Hidalgo	D26/59
D879,937	S *	3/2020	Hidalgo	D23/377
10,627,101	B2 *	4/2020	Lan	F21V 15/02
D885,647	S *	5/2020	Haggar	D26/119
D888,320	S *	6/2020	Brannon	D26/89
2014/0340903	A1	11/2014	Mahr	
2017/0292693	A1	10/2017	Ohai	
2019/0212005	A1	7/2019	Lan	

OTHER PUBLICATIONS

<http://www.homedepot.com/p/Sawyer-48-in-Brushed-Nickel-Ceiling-Fan-with-5-Reversible-Blades-and-Clear-Glass-CF48SAW5BN/205113867>, Sawyer 48 in. Brushed Nickel Ceiling Fan with 5-Re-

versible Blades and Clear Glass, Model No. CF48SAW5BN, accessed Sep. 21, 2017.
<http://www.kichler.com/products/product/3-light-industrial-fan-kit-dbk-dbk-370041dbk.aspx>, Kichler 3 Light Industrial Fan Kit in Distressed Black, Model No. 370041DBK, accessed Sep. 21, 2017.
<http://ceilingfans.emerson.com/en/shop/fan/fans-s-fan-lighting/boardwalk-cage-light-kit-fan-p-lk40>, Emerson Boardwalk Cage Ceiling Fan Light Fixture in Oil Rubbed Bronze, Model No. P-LK40, accessed Sep. 21, 2017.
<http://www.minkagroup.net/sites/default/files/styles/highres/public/products/minka-image-import/2250-647-1377124667.jpg?itok=KXTut642>, Minka 1 Light Pendant in Copper Patina Bronze Finish with Metal Shade, Model No. 2250-647, accessed Sep. 21, 2017.
<http://www.hunterfan.com/ceiling-fans/ronan>, Hunter Fan, Ronan 52" Ceiling Fan, Model No. 59239 in Matte Black Finish, accessed Sep. 21, 2017.
<http://www.hunterfan.com/Ceiling-Fans/Crown-Canyon?ModelNumber=53331>, Hunter Fan , Crown Canyon 52" Ceiling Fan, Model No. 53331 in Regal Bronze Finish, accessed Sep. 21, 2017.
<http://ceilingfans.emerson.com/en/shop/fan/fan-s-all/fans-s-browse-all/maui-bay-fan-p-cf2000>, Emerson Baui Bay 52" Ceiling Fan, Model No. CF2000ORB in Oil-Rubbed Bronze, accessed Mar. 20, 2018.
<http://www.homedepot.com/p/Hampton-Bay-Metro-54-in-Rustic-Copper-Indoor-Outdoor-Ceiling-Fan-34342/202075572>, Hampton Bay Metro 54" Rustic Copper Indoor/Outdoor Ceiling Fan, Model No. 34342, accessed Sep. 21, 2017.
<http://www.minkagroup.net/all-collections?keys=Alva>, Minka Alva 56" 5-Blades Ceiling Fan with LED Light in Brushed Nickel Finish with Seashore Grey Blades, Model No. F852L-BN, accessed Sep. 21, 2017.
<http://minka.com/all-collections?keys=rainman>, Minka Rainman 52" 5 Blades in Oil Rubbed Bronze Finish with Taupe Blades Integrated Light with Vintage Amber Glass, Model No. 582-ORB, accessed Sep. 21, 2017.

* cited by examiner

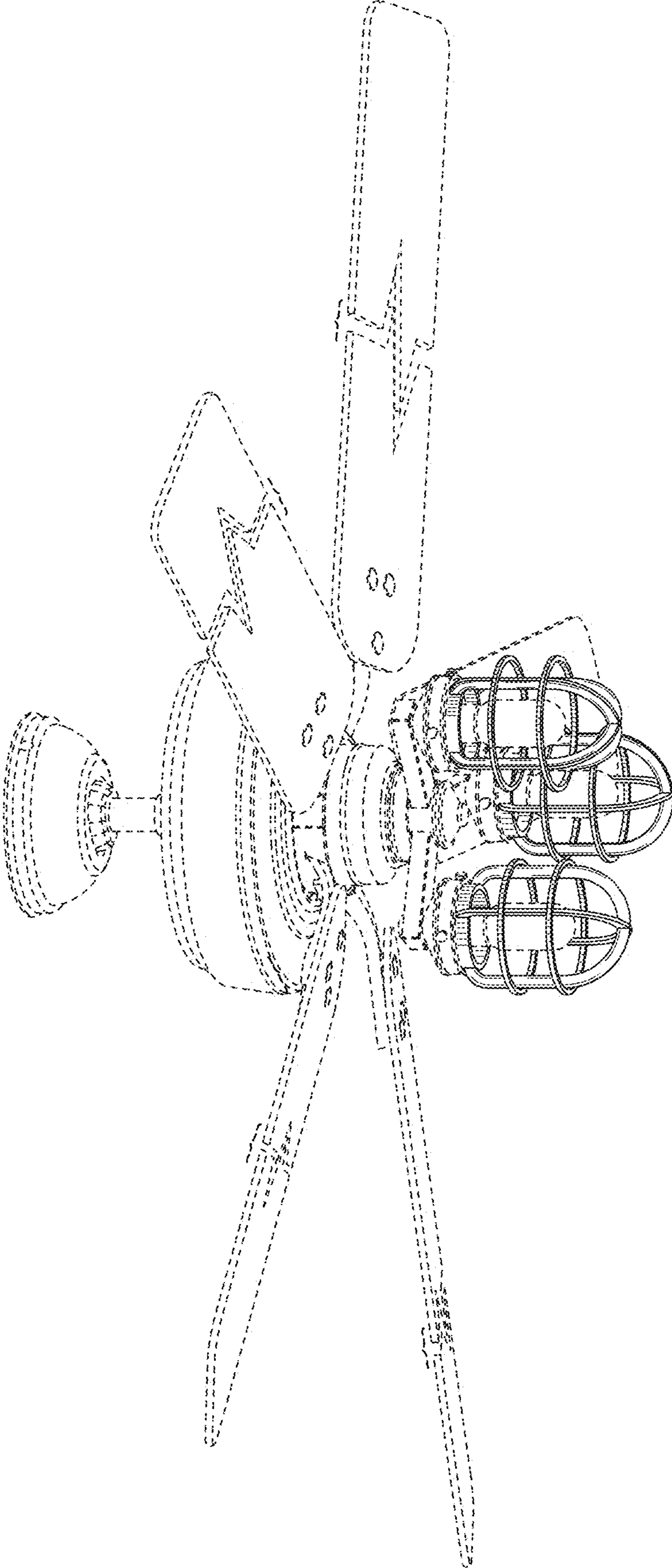


FIG. 1

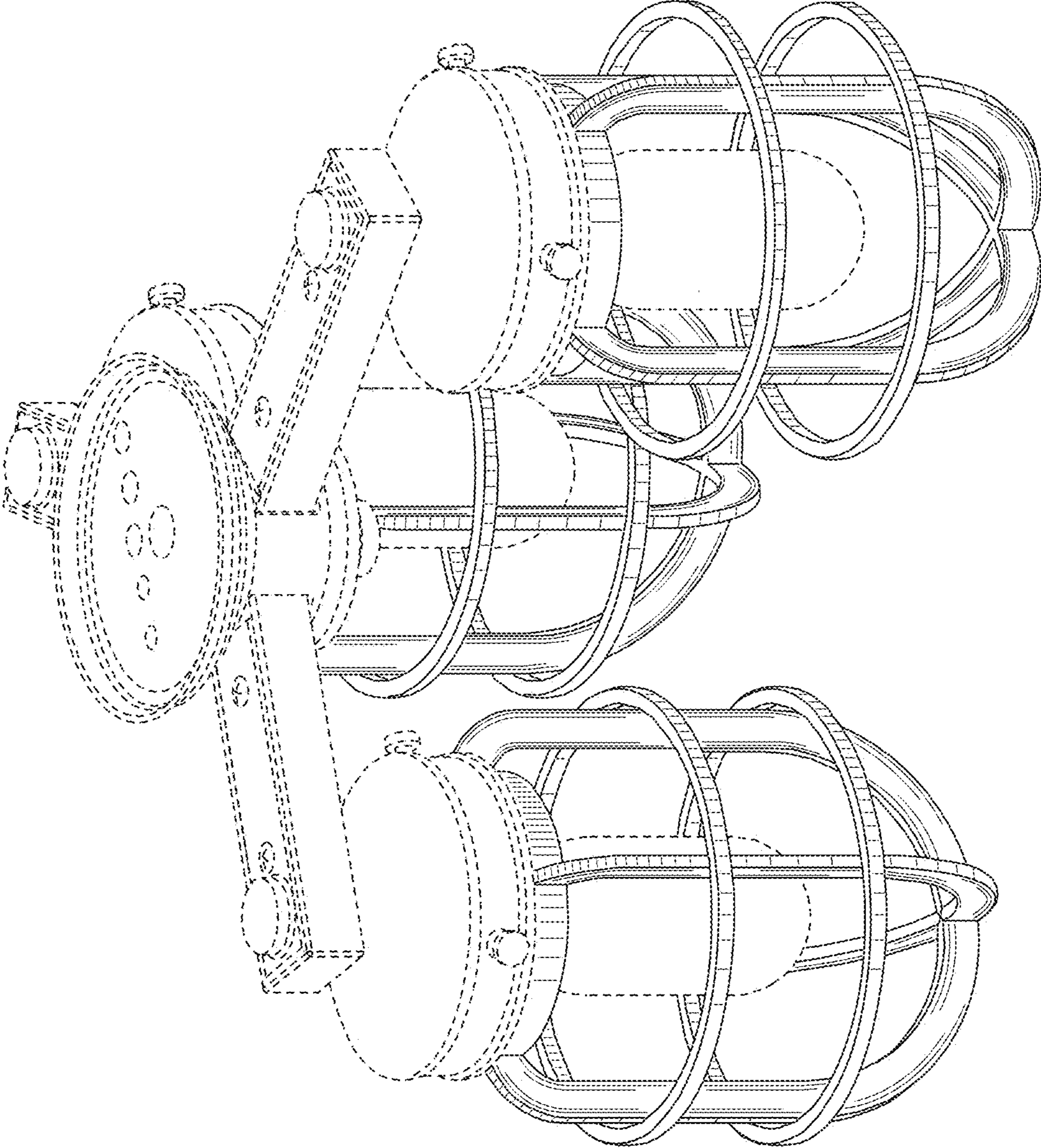


FIG. 2

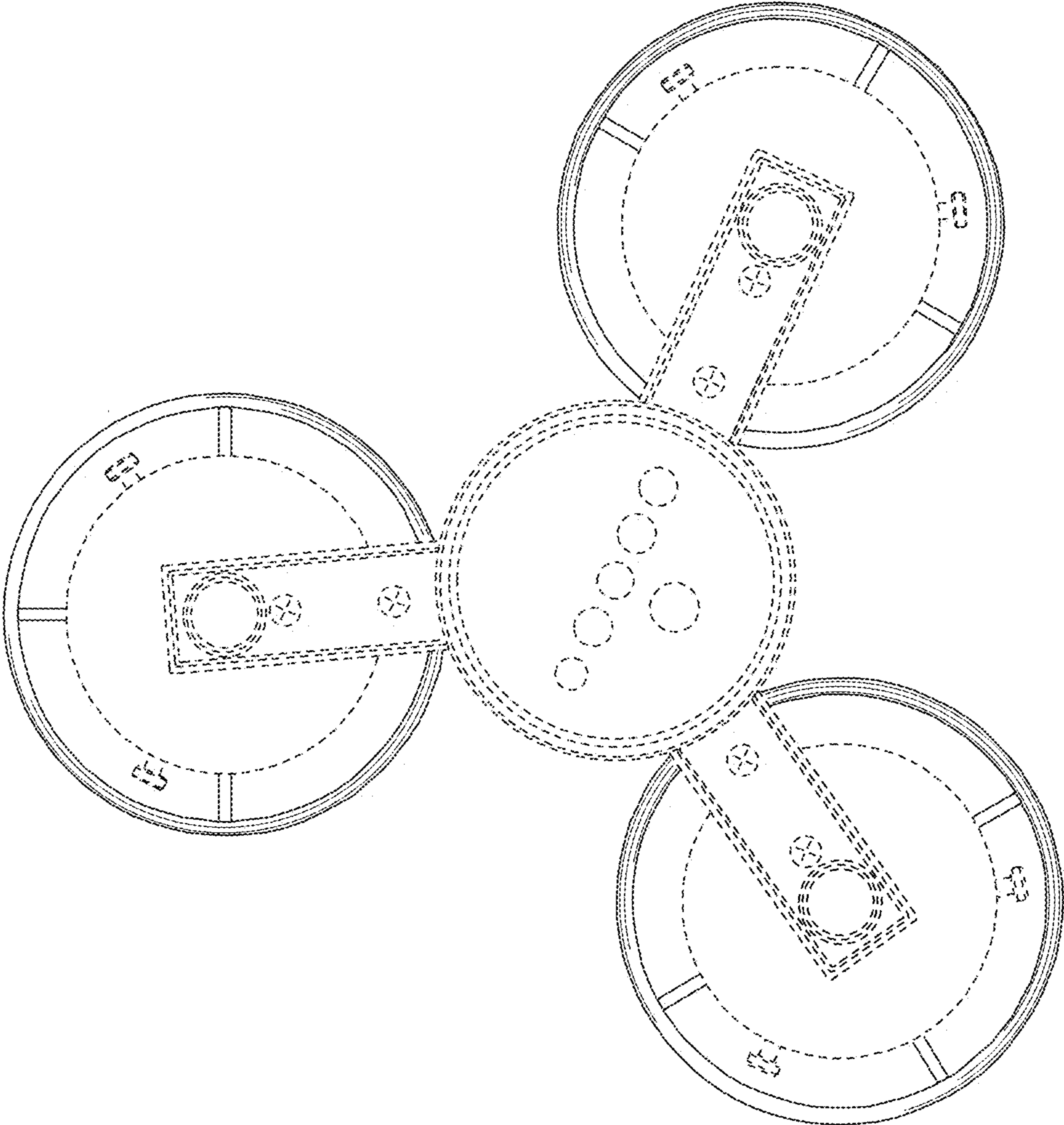


FIG. 3

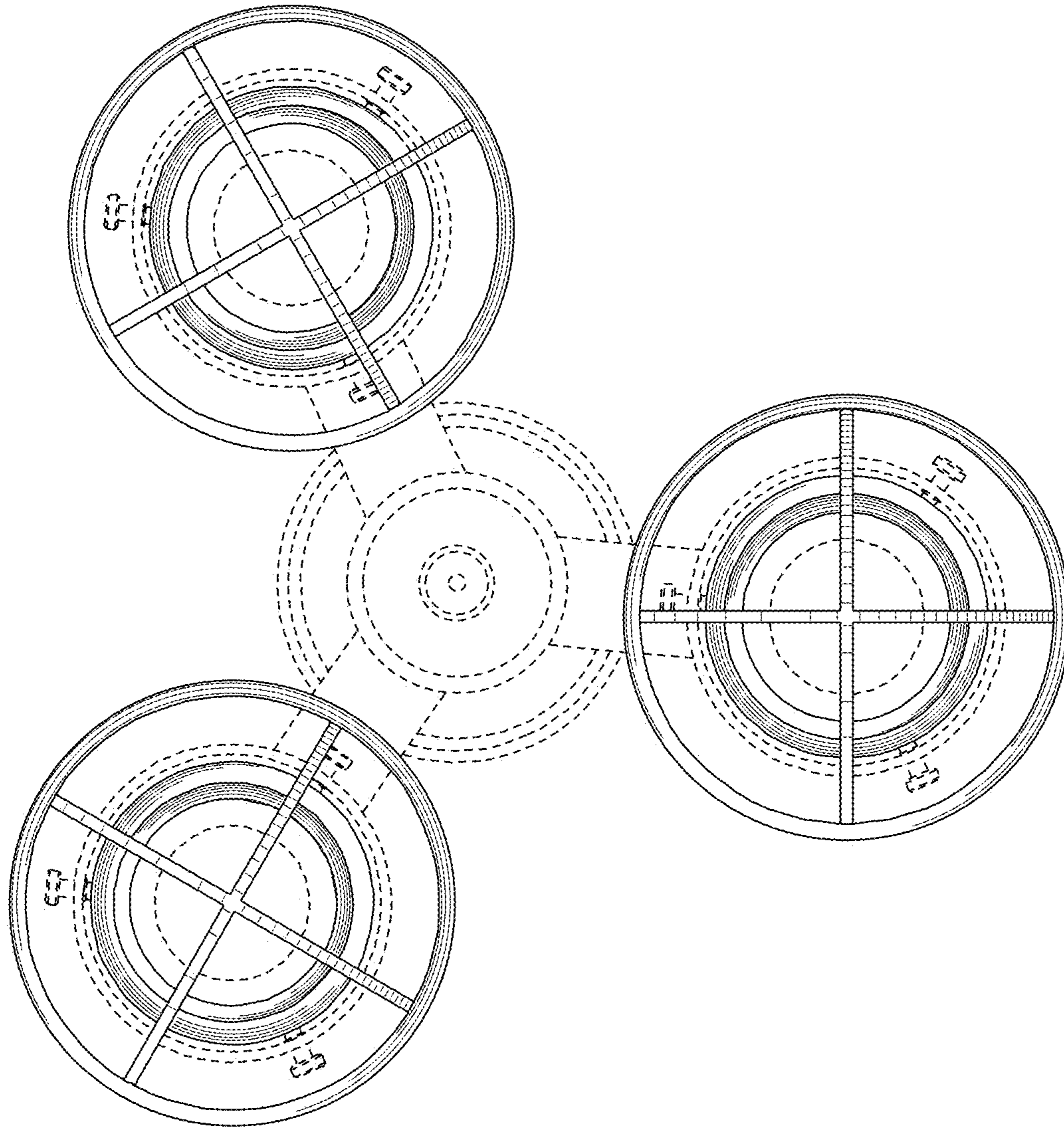


FIG. 4

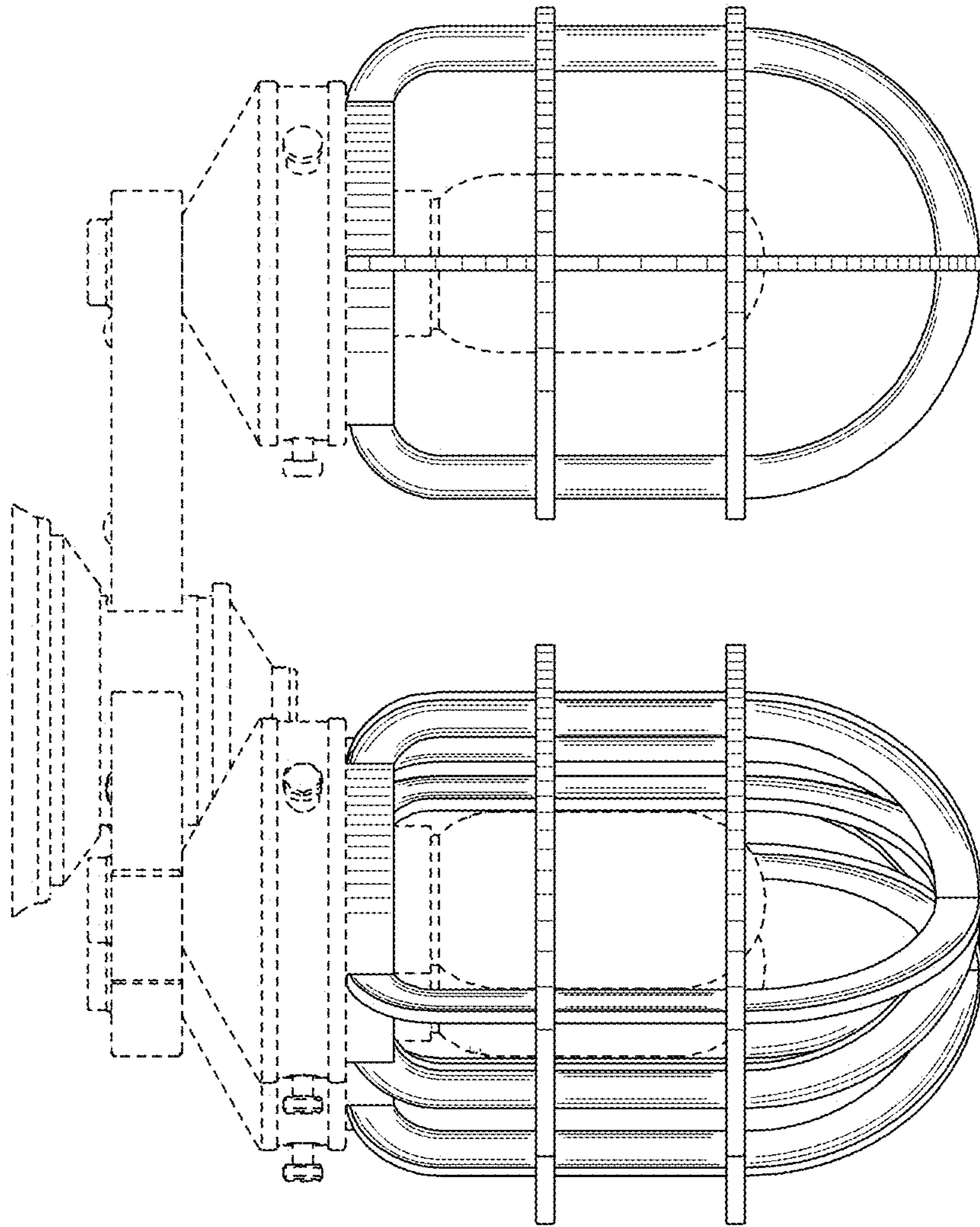


FIG. 5

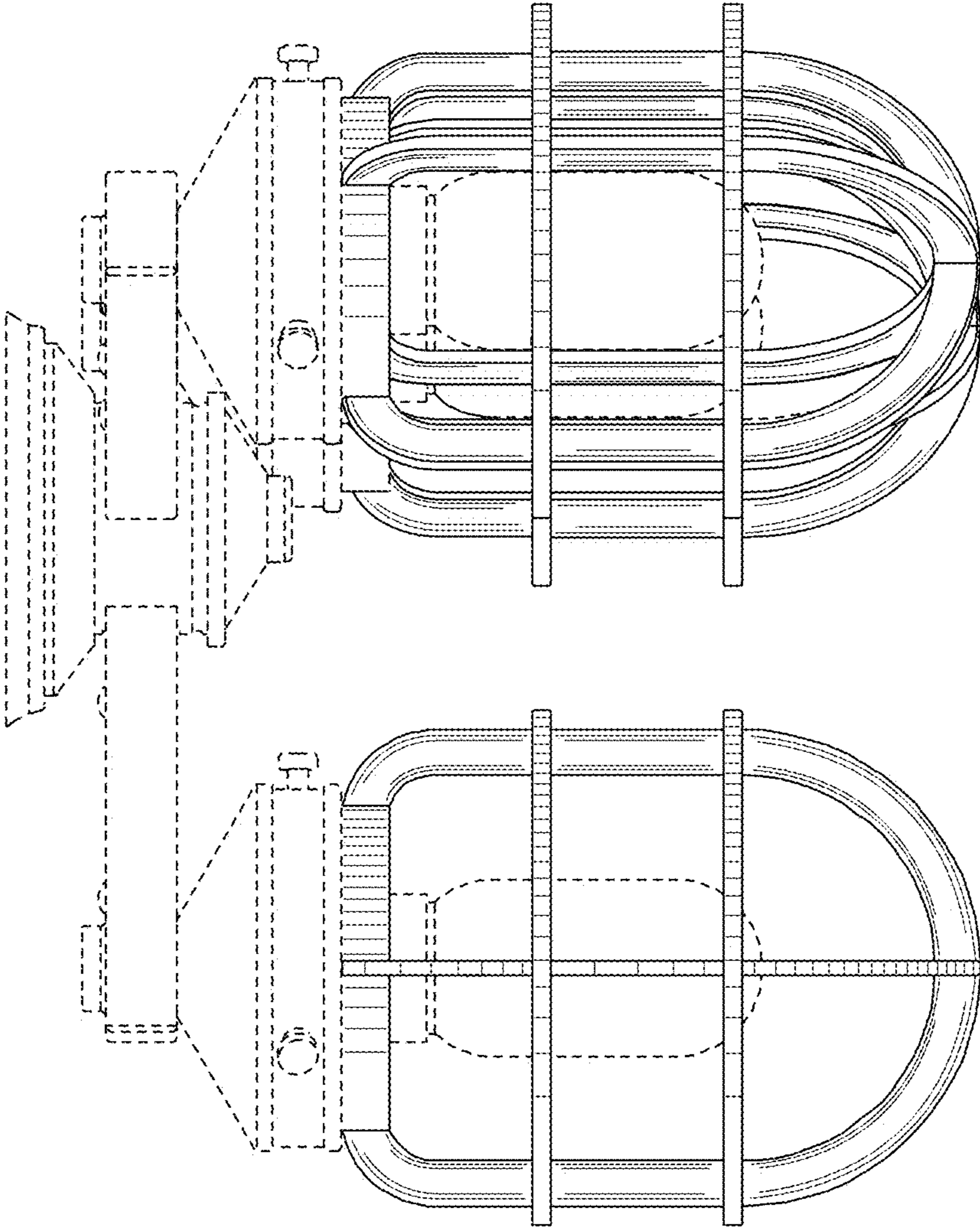


FIG. 6

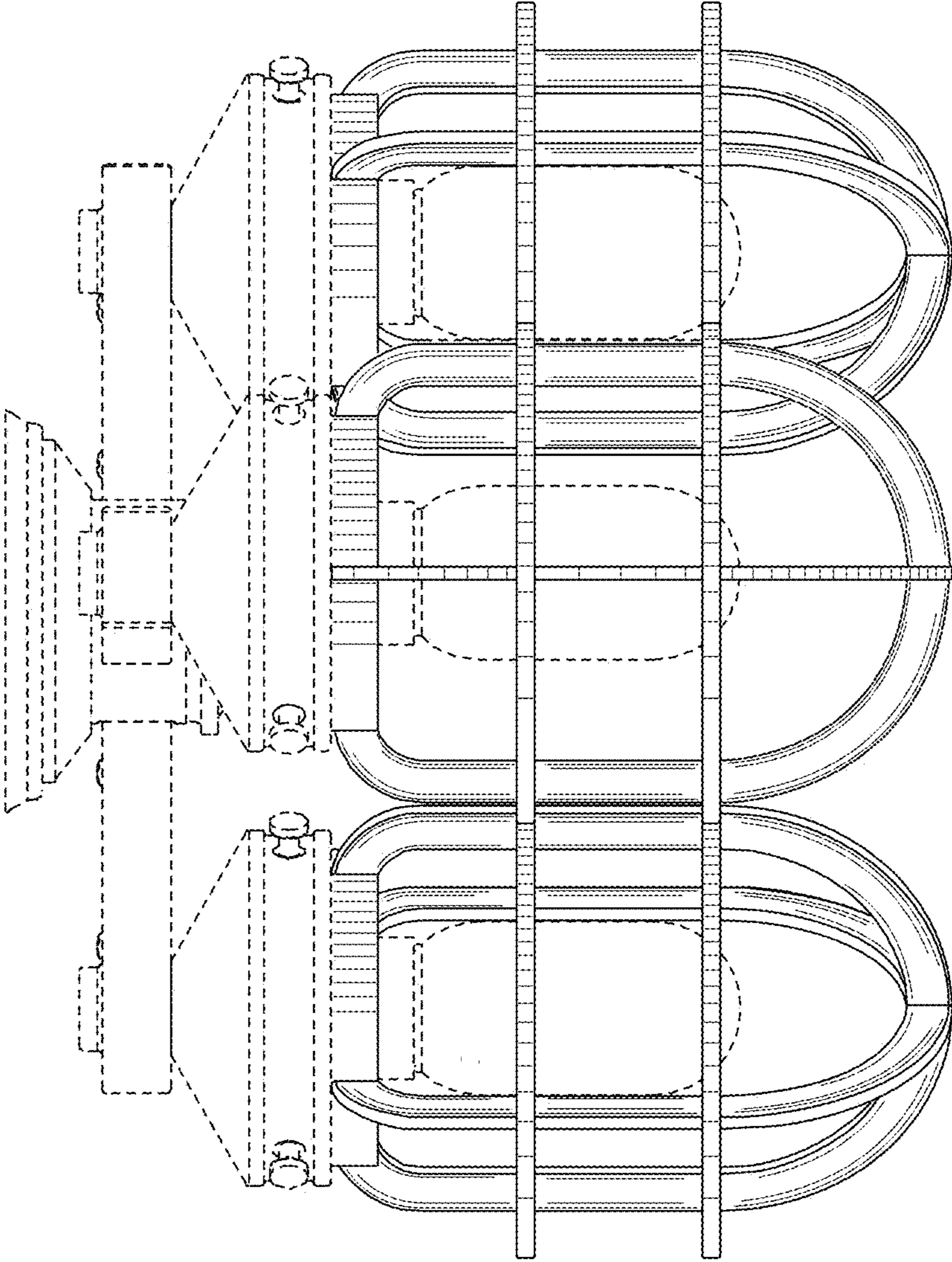


FIG. 7

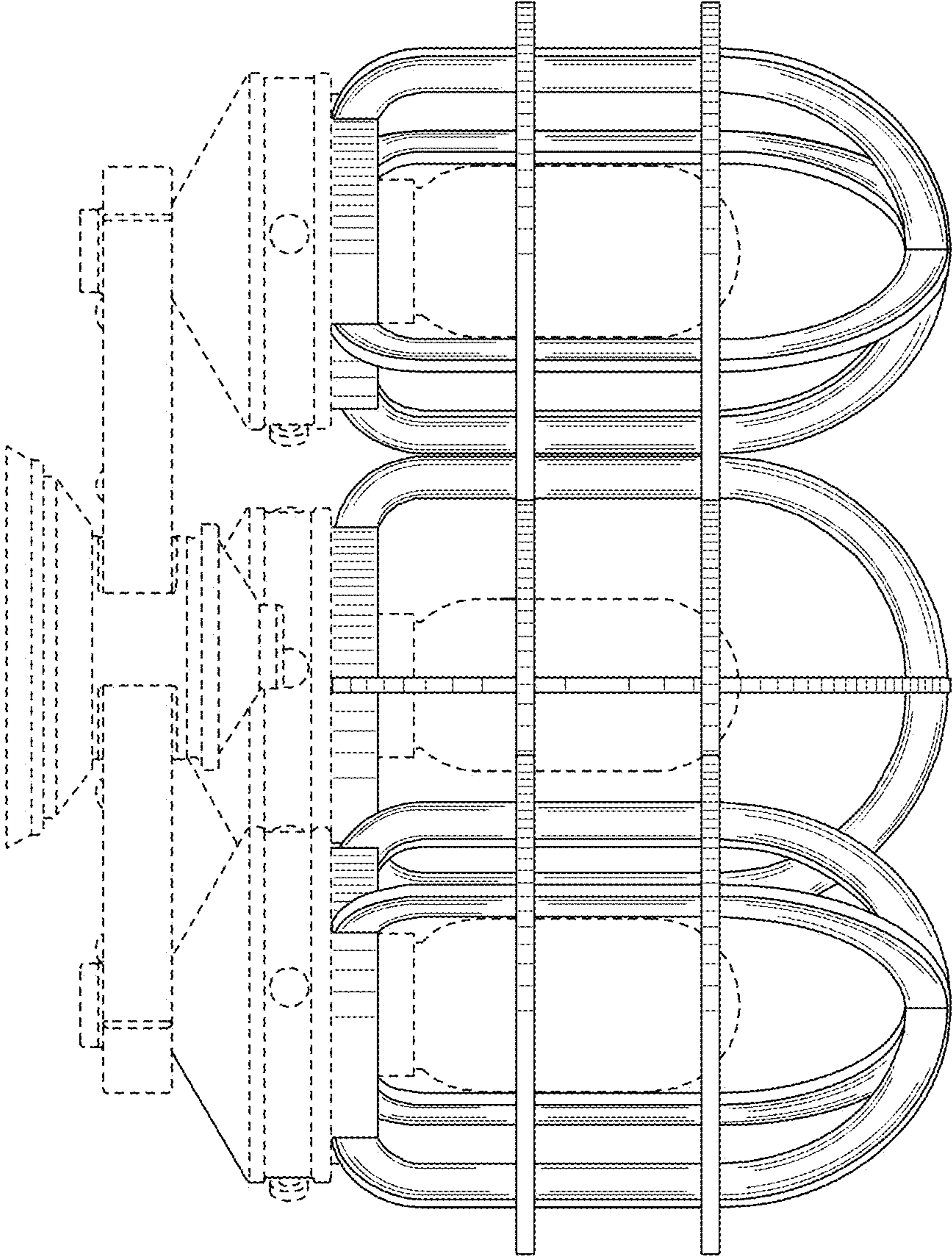


FIG. 8