



US00D923856S

(12) **United States Design Patent**  
**Kehoe et al.**

(10) **Patent No.:** **US D923,856 S**  
(45) **Date of Patent:** **\*\* Jun. 29, 2021**

(54) **LIGHTING FIXTURE**

(71) Applicant: **The Urban Electric Company**, North Charleston, SC (US)

(72) Inventors: **Amy Kehoe**, Los Angeles, CA (US); **James Todd Nickey**, Pasadena, CA (US); **Michael Amato**, London (GB); **David Dawson**, Charleston, SC (US); **Jonathan Charpia**, Summerville, SC (US); **Joeangel Casanova**, Brooklyn, NY (US); **Christopher Roof**, Charleston, SC (US); **Kevin Langer**, Charleston, SC (US); **Brianna Magagnoli**, North Charleston, SC (US); **Janis Golubeckis**, Mount Pleasant, SC (US)

(73) Assignee: **The Urban Electric Company**, North Charleston, SC (US)

(\*\*) Term: **15 Years**

(21) Appl. No.: **29/726,456**

(22) Filed: **Mar. 3, 2020**

(51) **LOC (13) Cl.** ..... **26-03**

(52) **U.S. Cl.**  
USPC ..... **D26/87**

(58) **Field of Classification Search**  
USPC ..... D26/72, 85-87, 92  
CPC .... F21S 8/03; F21S 8/035; F21S 8/036; F21S 8/046  
See application file for complete search history.

(56) **References Cited**

**U.S. PATENT DOCUMENTS**

D174,888 S \* 5/1955 Rayner ..... D26/87  
D177,716 S \* 5/1956 Clemens ..... D26/87  
2,806,941 A \* 9/1957 Graziani ..... F21V 21/02  
362/432  
D390,997 S \* 2/1998 Markee ..... D26/85

D391,006 S \* 2/1998 Yang ..... D26/118  
D439,003 S \* 3/2001 Hsu ..... D26/87  
D573,750 S \* 7/2008 Starck ..... D26/87  
D822,259 S \* 7/2018 Fang ..... D26/87

(Continued)

**OTHER PUBLICATIONS**

Pierce Antique Silver One-Light Wall Sconce With Perforated Metal Shade By Robert Abbey, available at bellacor.com, visited Feb. 24, 2021. (Year: 2021).\*

(Continued)

*Primary Examiner* — Clare E Heflin  
(74) *Attorney, Agent, or Firm* — Haynsworth Sinkler Boyd, P.A.

(57) **CLAIM**

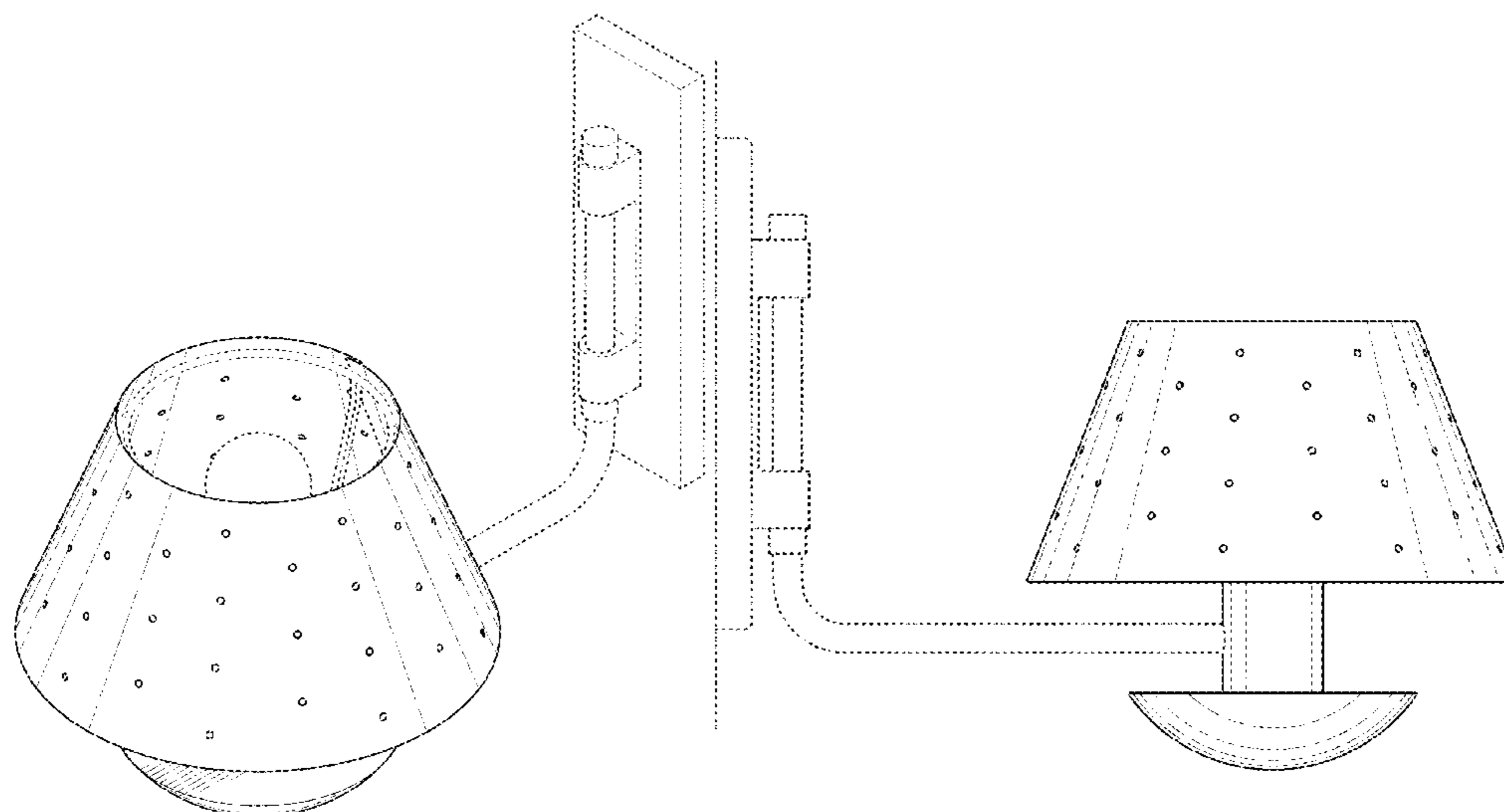
The ornamental design for a lighting fixture, as shown and described.

**DESCRIPTION**

FIG. 1 is a right-side perspective view of a lighting fixture depicting a new design;  
FIG. 2 is a left-side perspective view thereof;  
FIG. 3 is a front elevational view thereof;  
FIG. 4 is a back elevational view thereof;  
FIG. 5 is a left elevational view thereof;  
FIG. 6 is a right elevational view thereof;  
FIG. 7 is a top plan view thereof;  
FIG. 8 is a bottom plan view thereof; and,  
FIG. 9 is a right-side perspective view in which an optional electrical cord is displayed.

The horizontal broken lines extending from the lighting fixture in FIGS. 7 and 8 and the vertical broken lines extending from the lighting fixture in FIGS. 5 and 6 represent environment which forms no part of the claimed design. The remaining broken line disclosures in the views represent portions of the lighting fixture that form no part of the claimed design.

**1 Claim, 9 Drawing Sheets**



(56)

**References Cited**

U.S. PATENT DOCUMENTS

D826,459 S	*	8/2018	Amato .....	D26/87
D835,325 S	*	12/2018	Gambrel .....	D26/87
D854,221 S	*	7/2019	Hecht .....	D26/87
D854,730 S	*	7/2019	Hecht .....	D26/87
D888,319 S	*	6/2020	Amato .....	D26/87

OTHER PUBLICATIONS

Mazarine Wall Sconce available at [nickeykehoe.com](http://nickeykehoe.com), visited Feb. 24, 2021. (Year: 2021).\*

\* cited by examiner

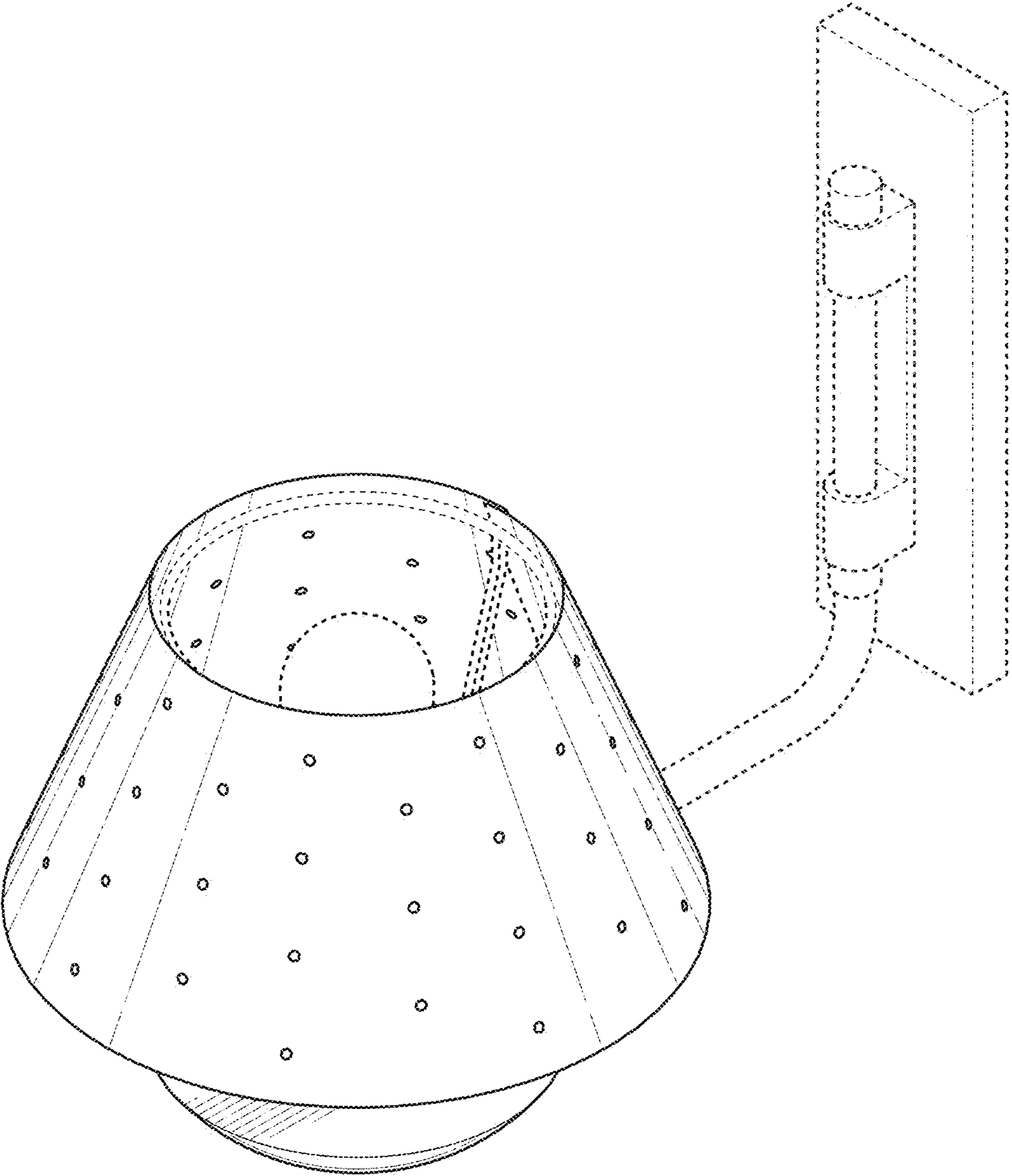


FIG. 1

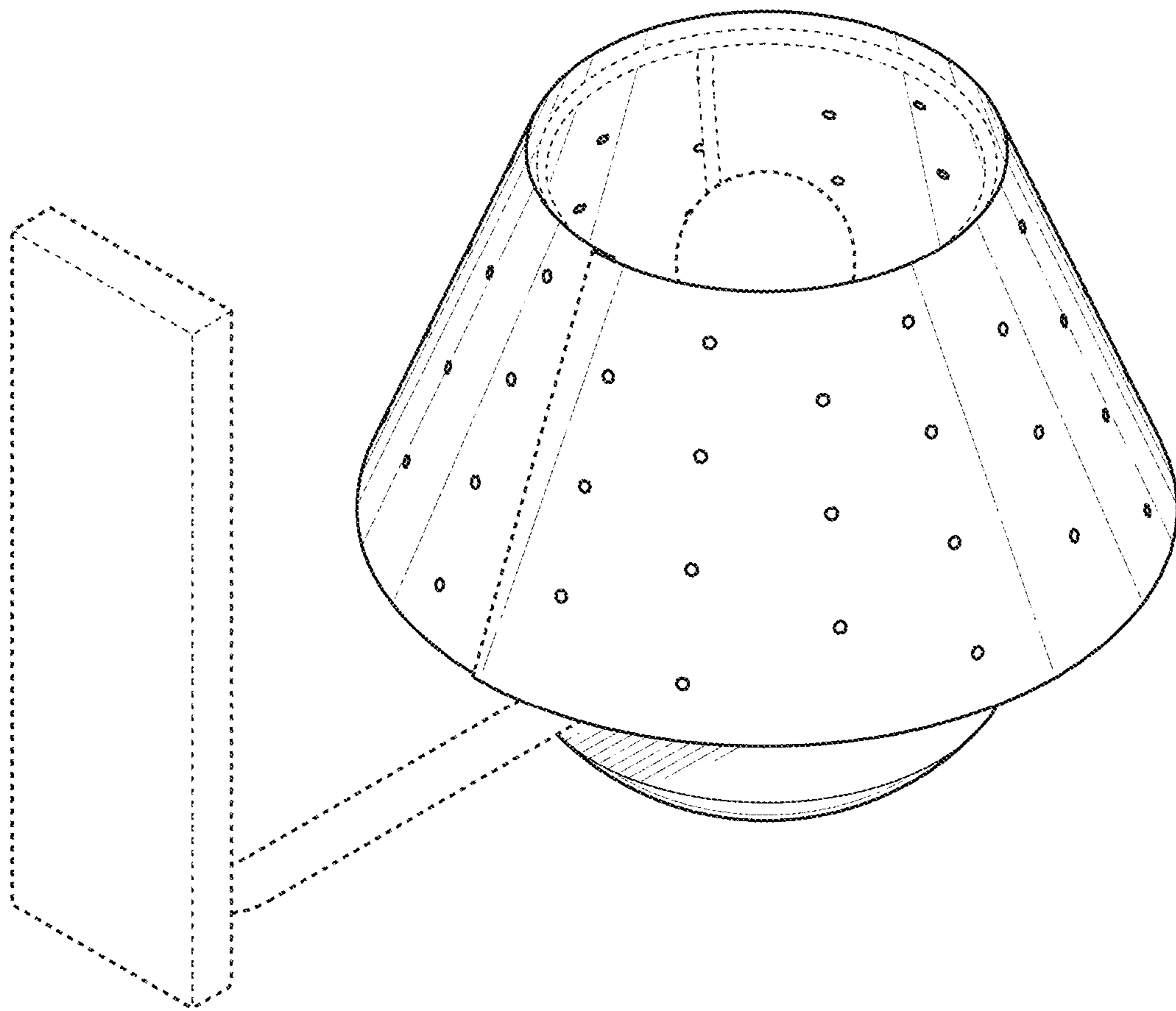


FIG. 2

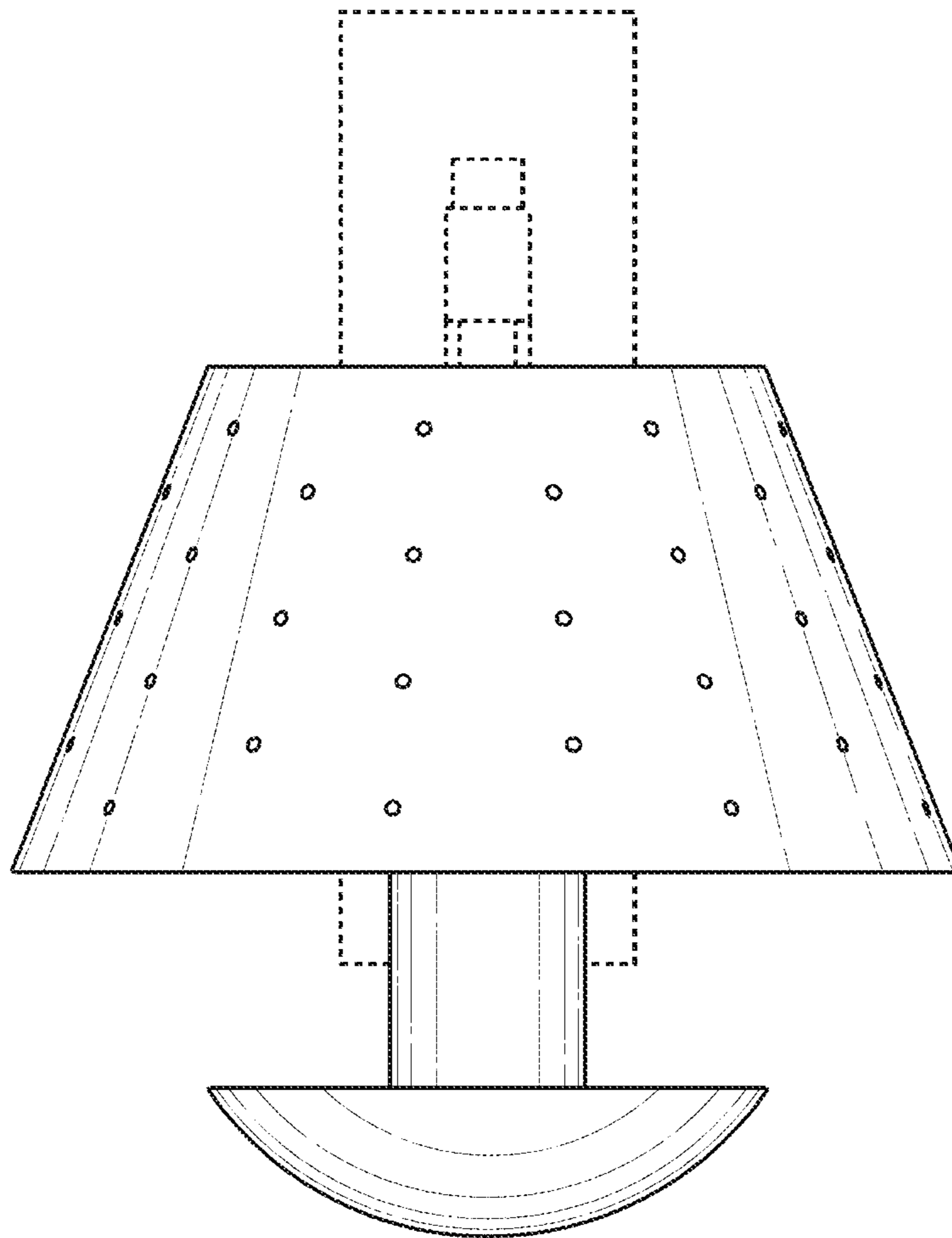


FIG. 3

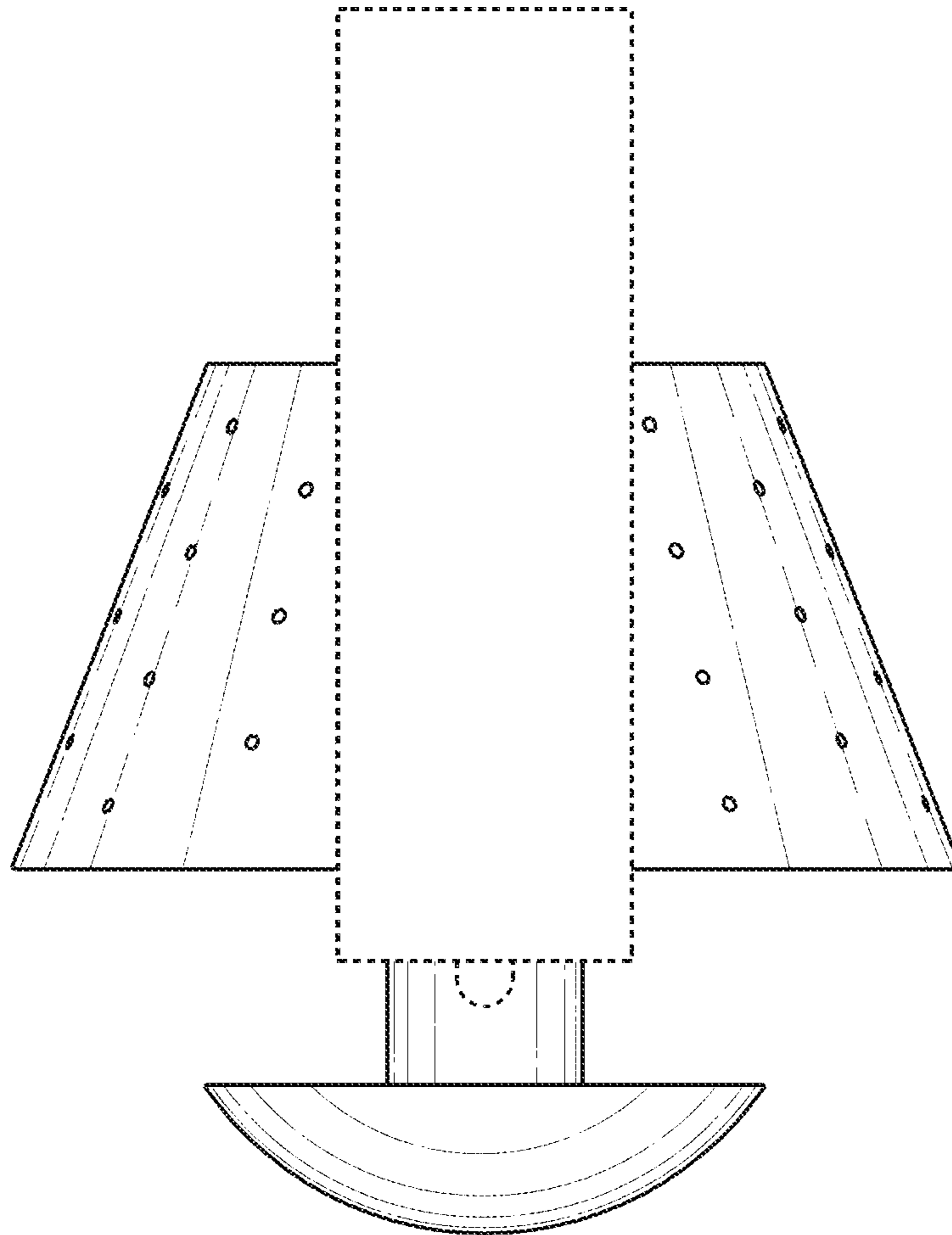


FIG. 4



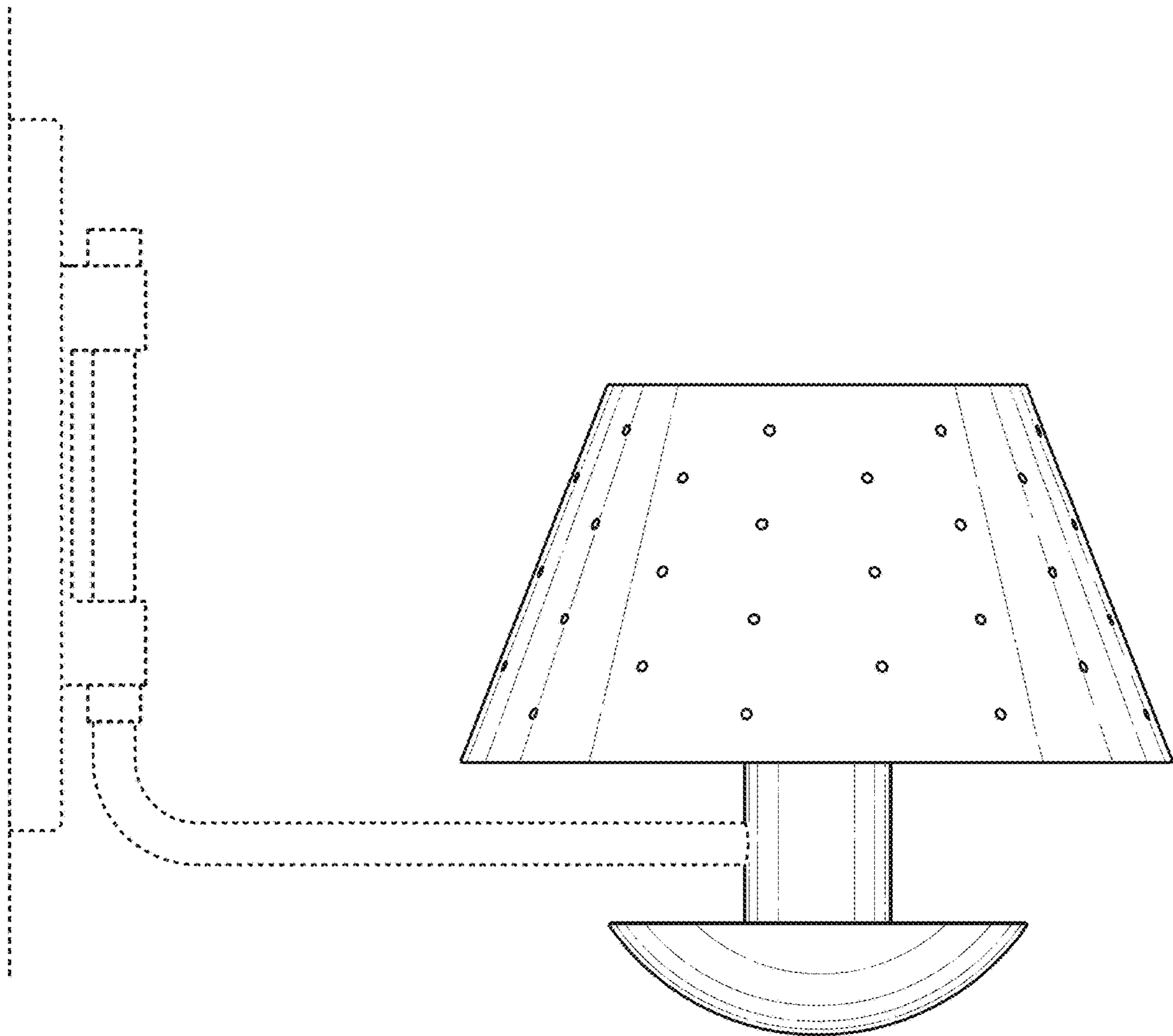


FIG. 5

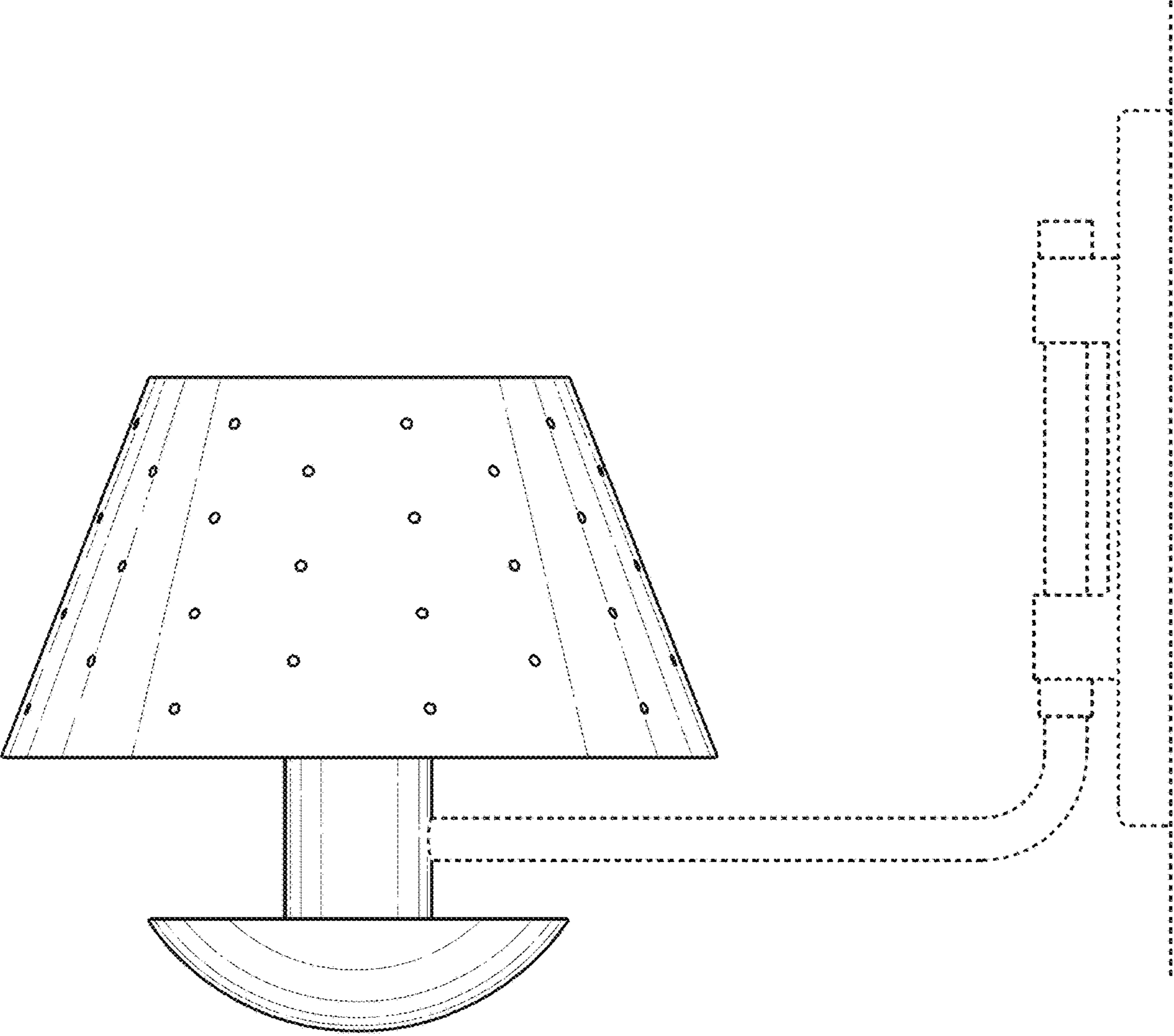


FIG. 6



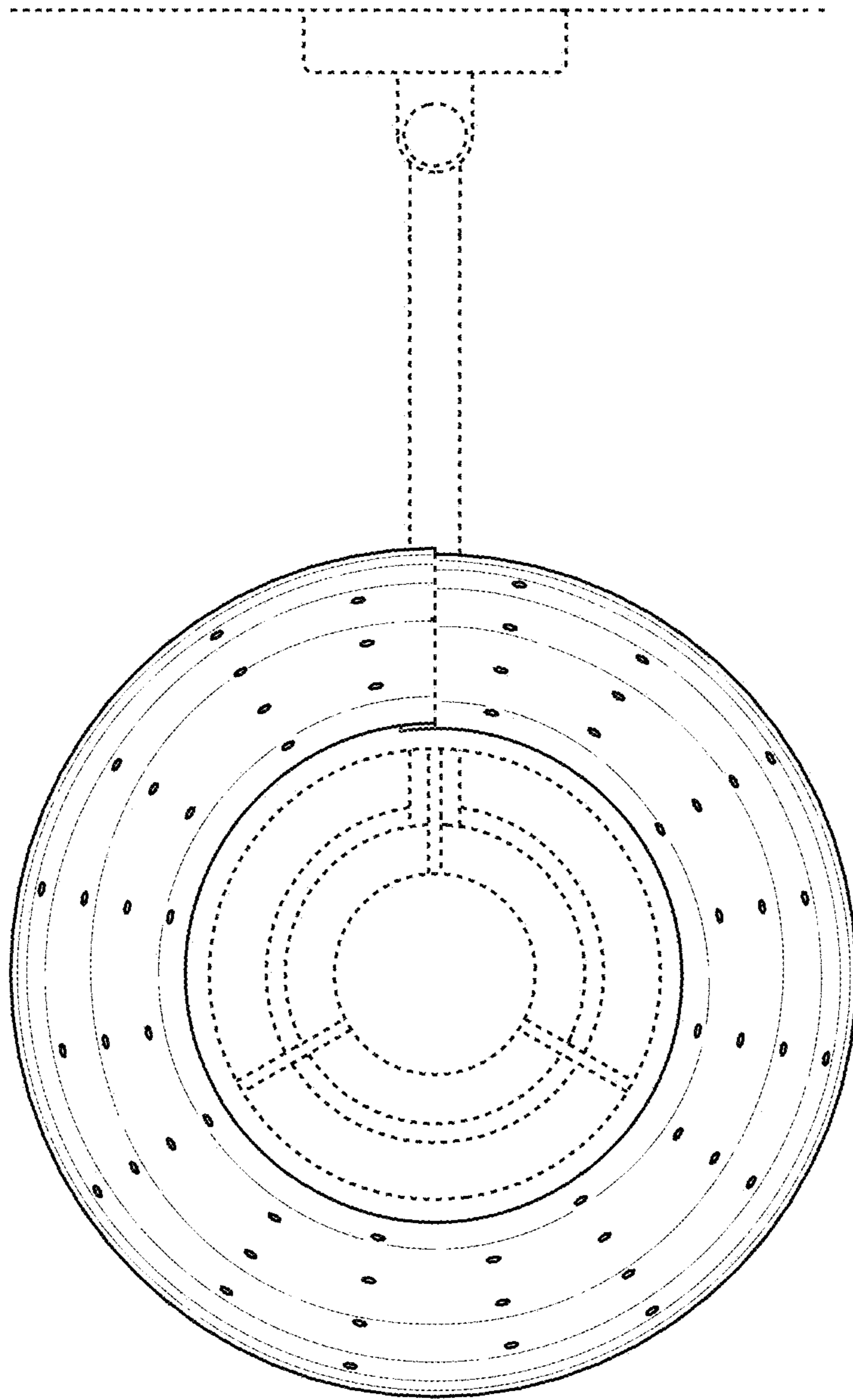


FIG. 7

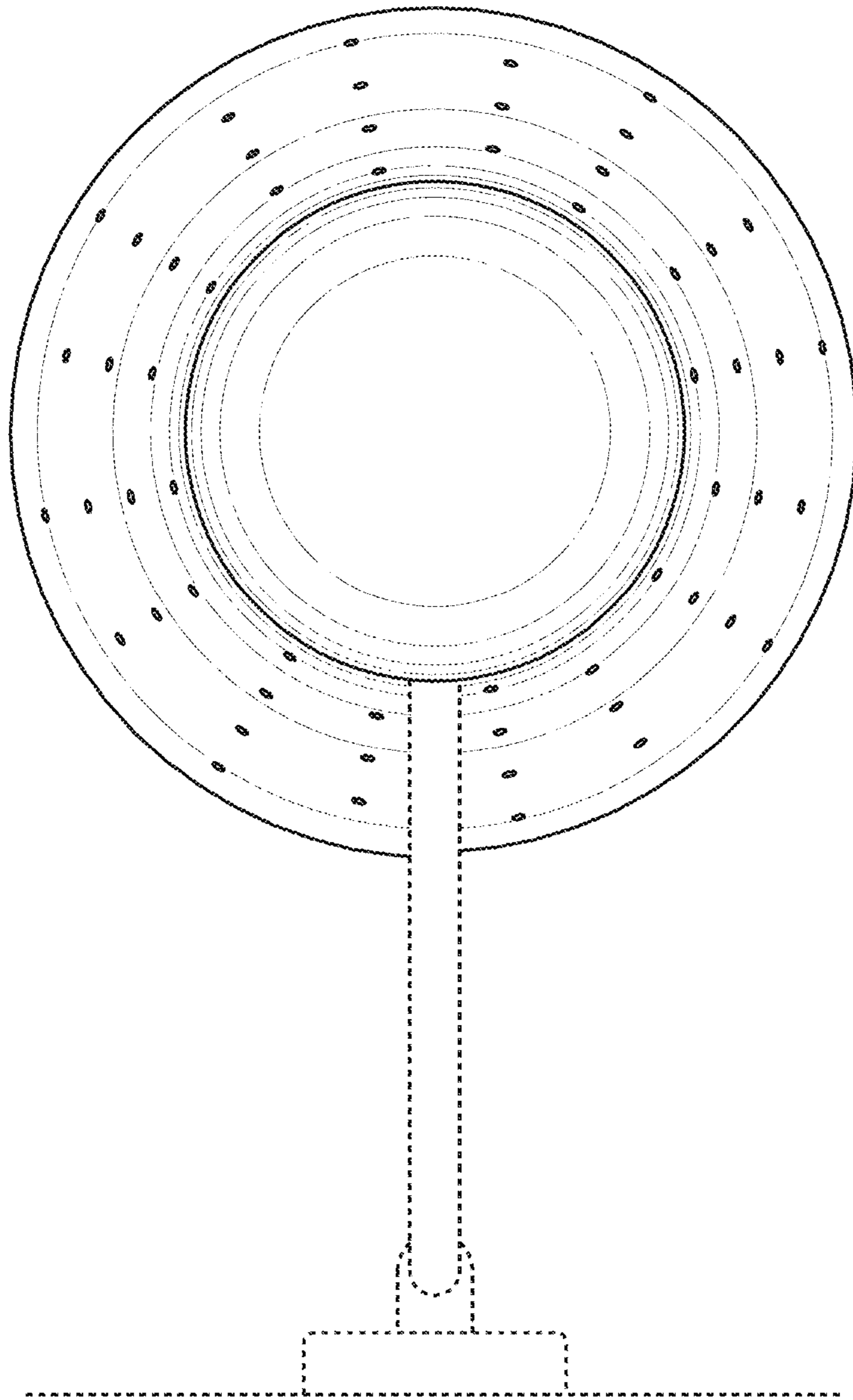


FIG. 8

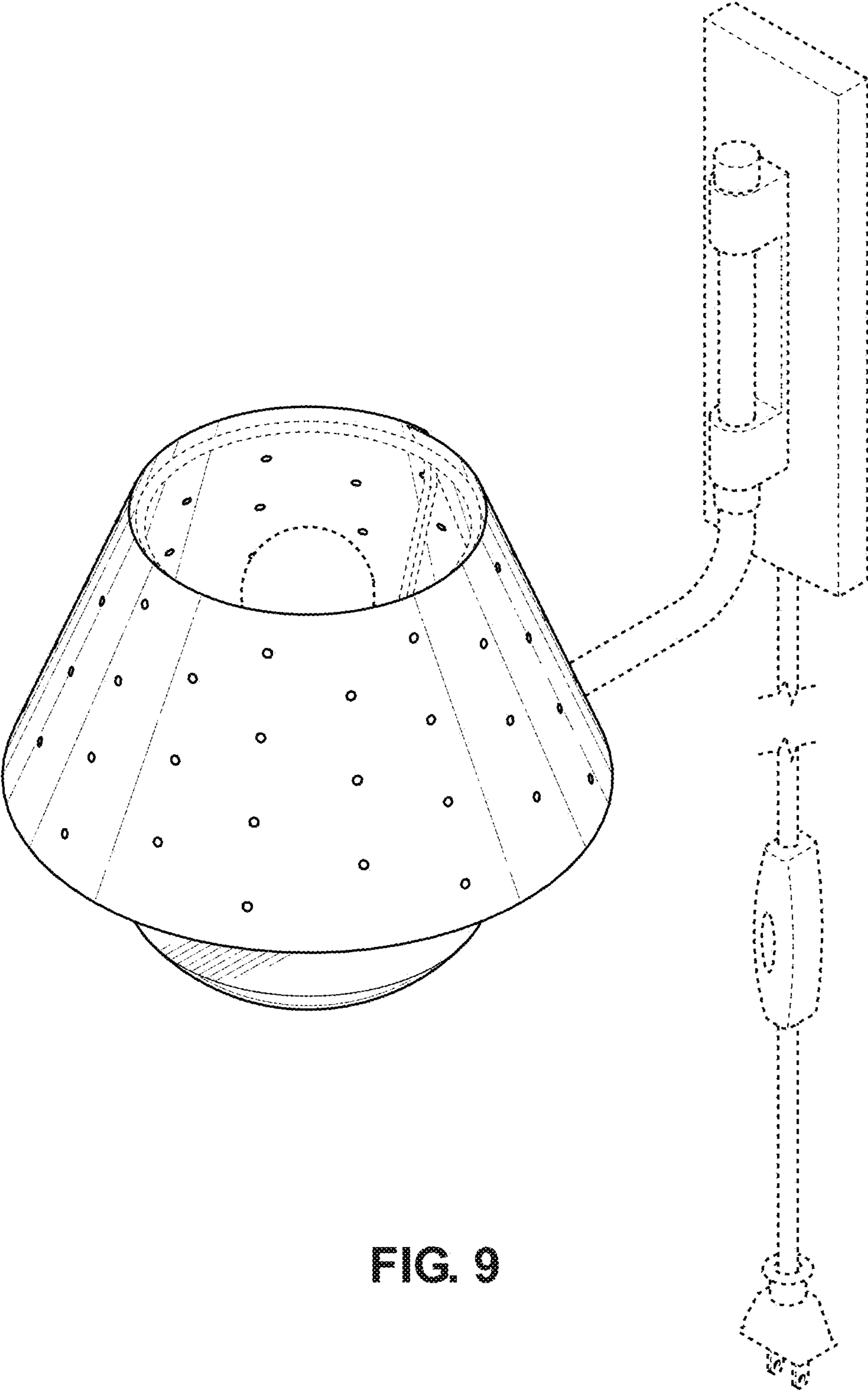


FIG. 9