



US00D923854S

(12) **United States Design Patent**  
**Huang**

(10) **Patent No.:** **US D923,854 S**

(45) **Date of Patent:** **\*\* Jun. 29, 2021**

(54) **SOLAR LIGHT**

(71) Applicant: **Tao Huang**, Fuzhou (CN)

(72) Inventor: **Tao Huang**, Fuzhou (CN)

(\*\*) Term: **15 Years**

(21) Appl. No.: **29/756,667**

(22) Filed: **Oct. 29, 2020**

(51) **LOC (13) Cl.** ..... **26-03**

(52) **U.S. Cl.**  
USPC ..... **D26/85; D26/72**

(58) **Field of Classification Search**  
USPC ..... D26/85, 72, 92; D10/106.6, 106.8  
CPC .... F21S 8/03; F21S 8/033; F21S 8/036; F21S  
8/037; F21S 9/022; F21S 9/024; F21S  
9/03; F21S 9/035; F21S 9/037; F21W  
2131/107; G08B 13/193  
See application file for complete search history.

(56) **References Cited**

**U.S. PATENT DOCUMENTS**

D822,874 S *	7/2018	Hu	.....	D26/85
D829,956 S	10/2018	Liu		
D836,816 S *	12/2018	Liu	.....	D26/85
D841,218 S *	2/2019	Liu	.....	D26/85
D841,864 S *	2/2019	Liu	.....	D26/85
D844,212 S *	3/2019	Chen	.....	D26/85
D846,791 S	4/2019	Liang		
D861,224 S *	9/2019	Hu	.....	D26/85
D864,460 S *	10/2019	Hu	.....	D26/85
D879,352 S *	3/2020	Liu	.....	D26/85
D882,148 S *	4/2020	He	.....	D26/85
D882,855 S *	4/2020	Liu	.....	D26/85

D896,428 S *	9/2020	Pan	.....	D26/85
D899,665 S *	10/2020	Hui	.....	D26/85
2017/0321877 A1 *	11/2017	Polidoro	.....	F21V 33/0088

**OTHER PUBLICATIONS**

SeedAlarm Direct Outdoor Solar LED Light, ASIN: B0851SFFQN, available at amazon.com Feb. 21, 2020. (Year: 2020).\*  
Claoner Outdoor Solar Lights, ASIN: B08GWR6Y7K, available at amazon.com Aug. 28, 2020. (Year: 2020).\*  
Blitzwolf® BW-OLT1 Solar Power 62 LED PIR Motion Sensor Wall Light, ID: 1543258, available at banggood.com as early as Nov. 27, 2019. (Year: 2019).\*

\* cited by examiner

*Primary Examiner* — Clare E Heflin  
(74) *Attorney, Agent, or Firm* — ScienBiziP, P.C.

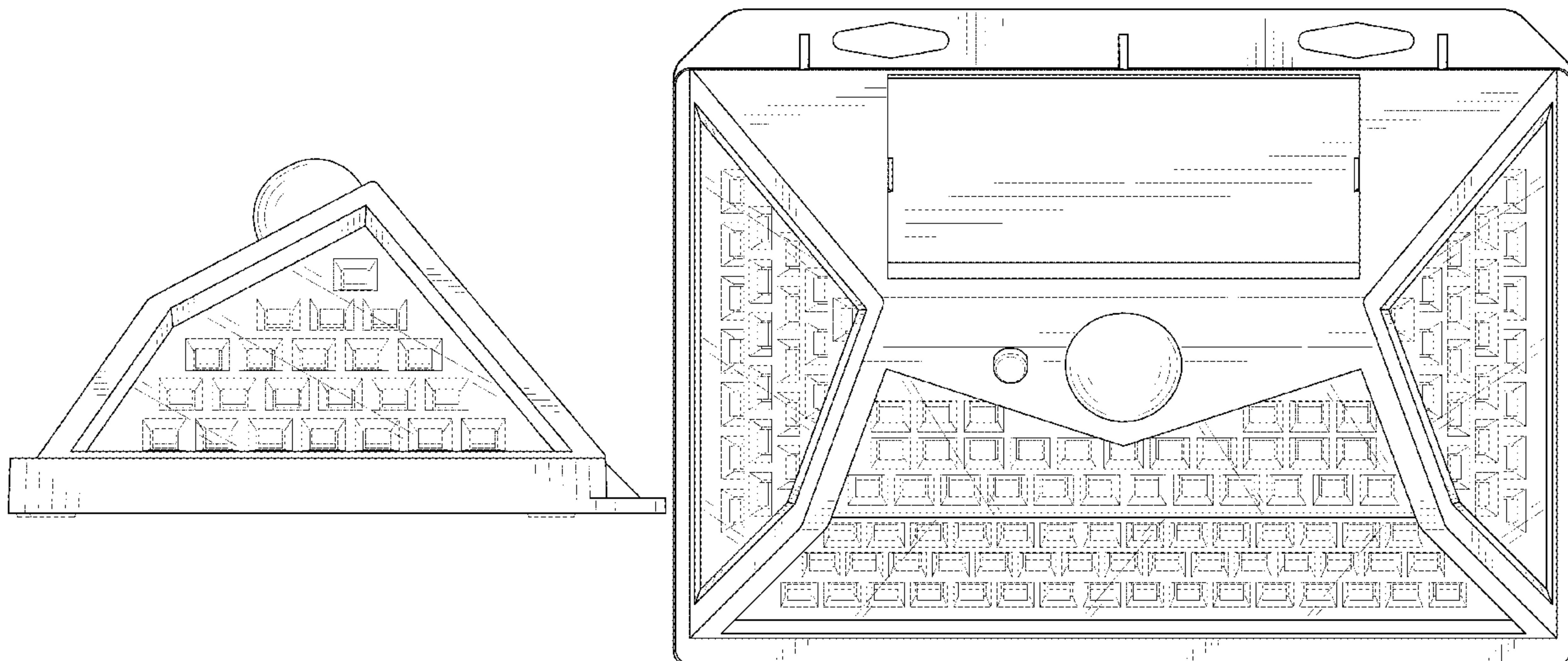
(57) **CLAIM**

The ornamental design for a solar light, as shown and described.

**DESCRIPTION**

FIG. 1 is a bottom perspective view of the solar light showing my new design;  
FIG. 2 is a top perspective view thereof;  
FIG. 3 is a bottom plan view thereof;  
FIG. 4 is a top plan view thereof;  
FIG. 5 is a left side elevation view thereof;  
FIG. 6 is a right side elevation view thereof;  
FIG. 7 is a front elevation view thereof; and,  
FIG. 8 is a rear elevation view thereof.  
The broken lines shown on the drawings depict portions of the solar light that form no part of the claimed design.

**1 Claim, 8 Drawing Sheets**



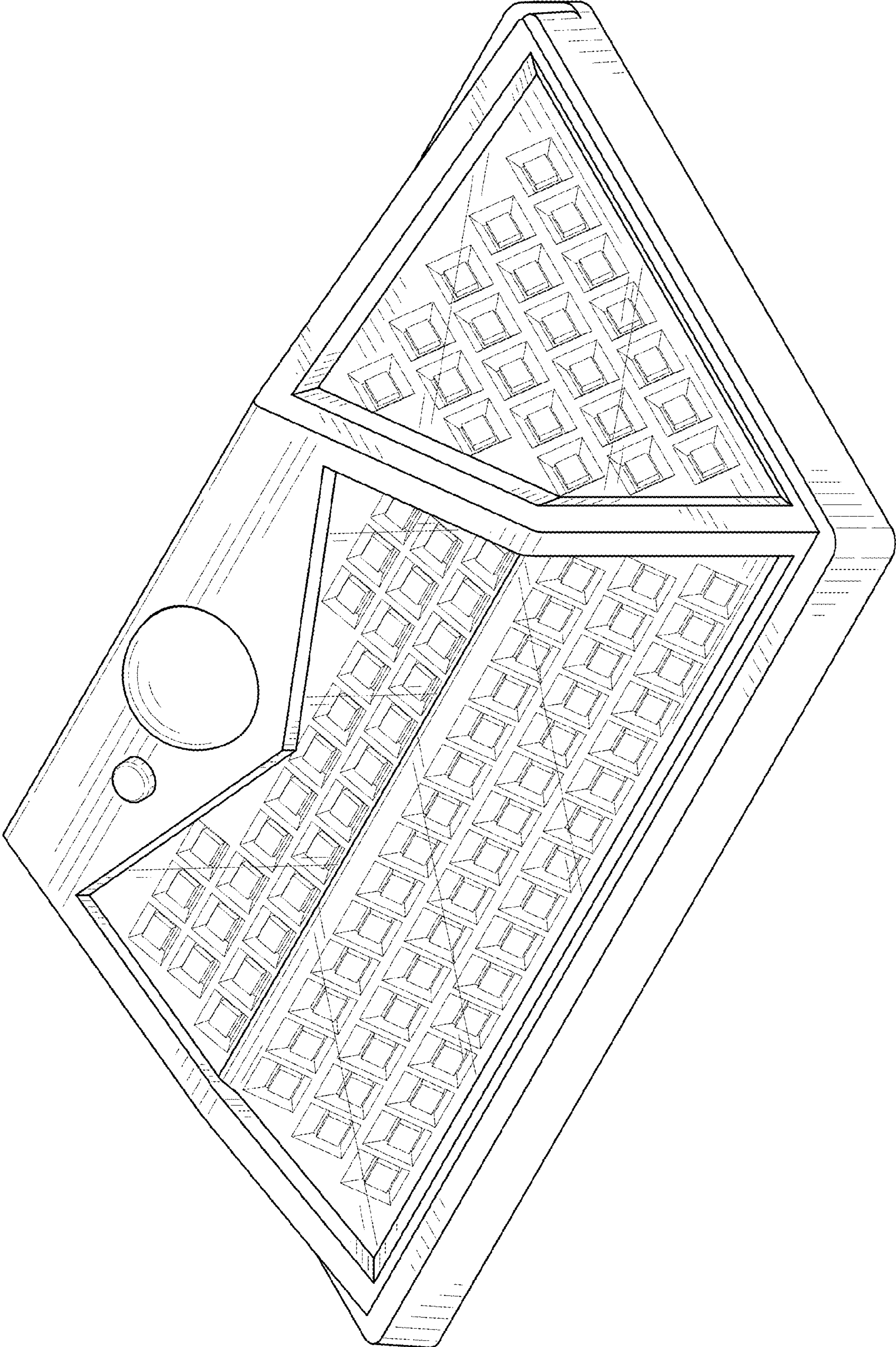


FIG. 1



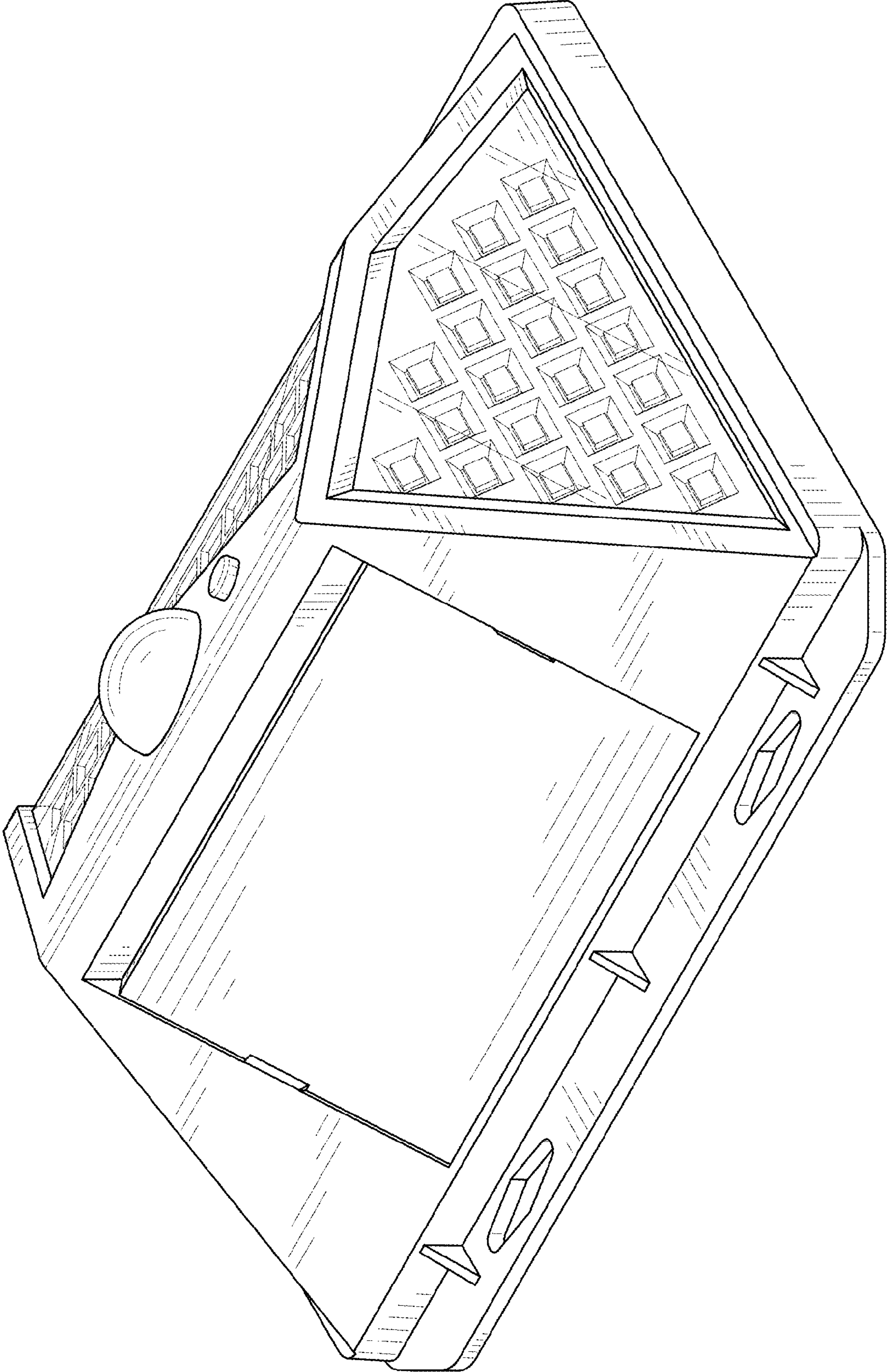


FIG. 2

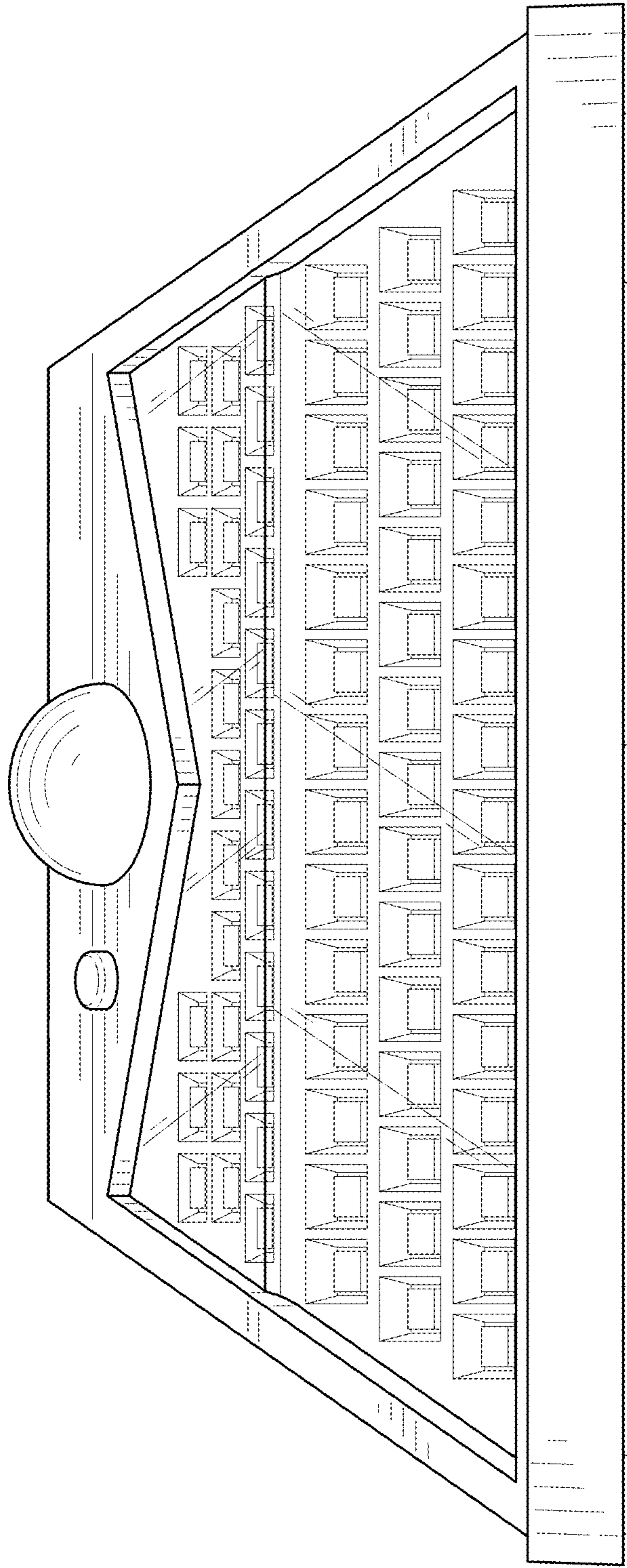


FIG. 3

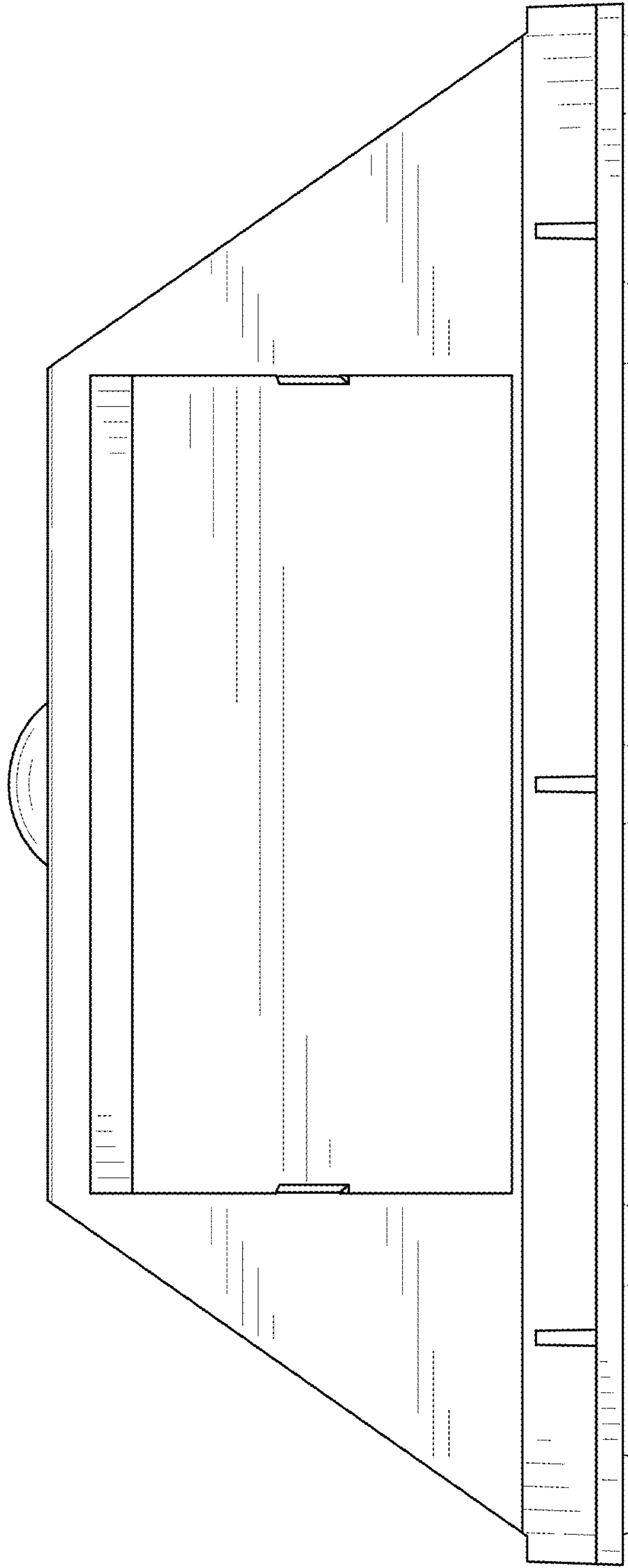


FIG. 4

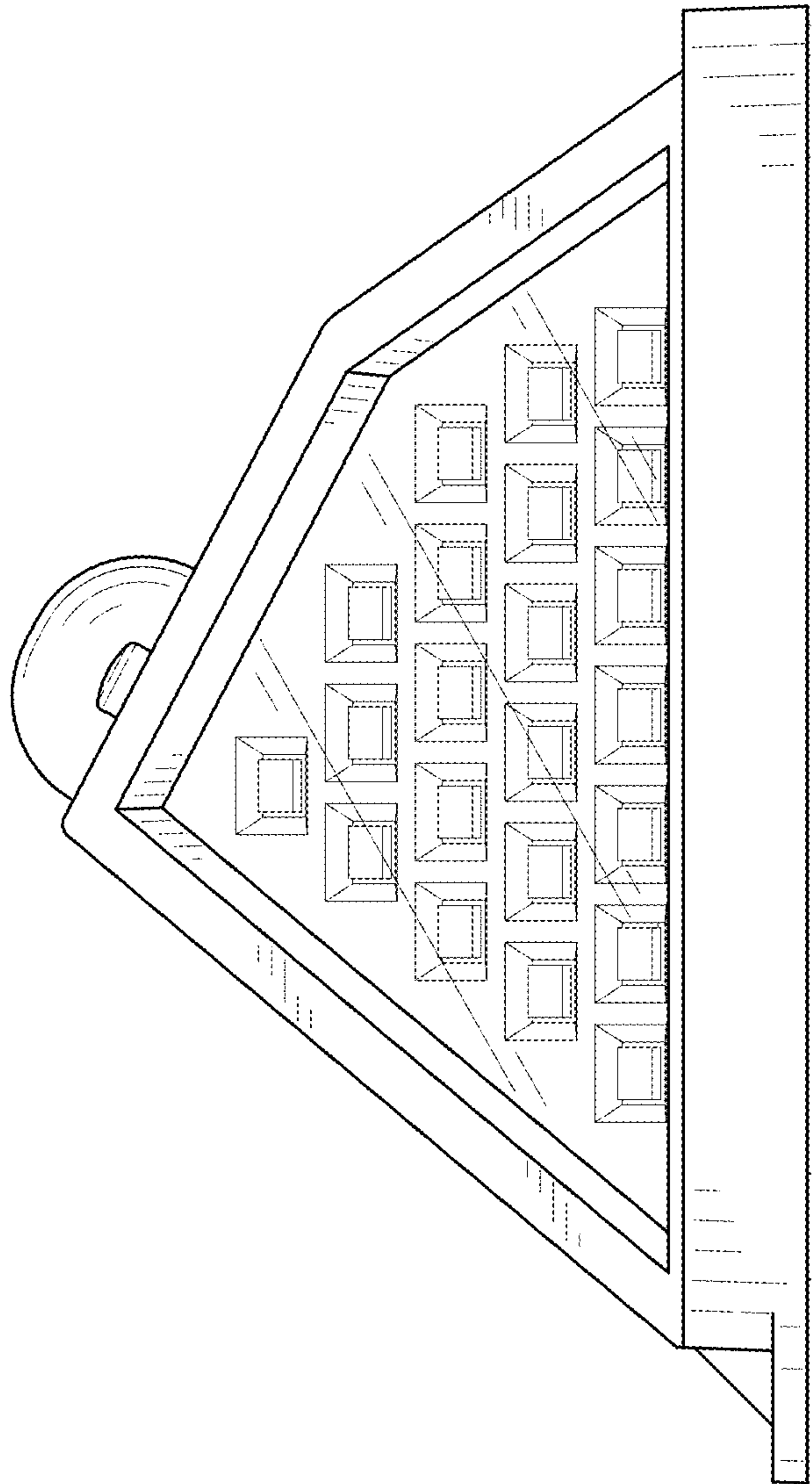


FIG. 5

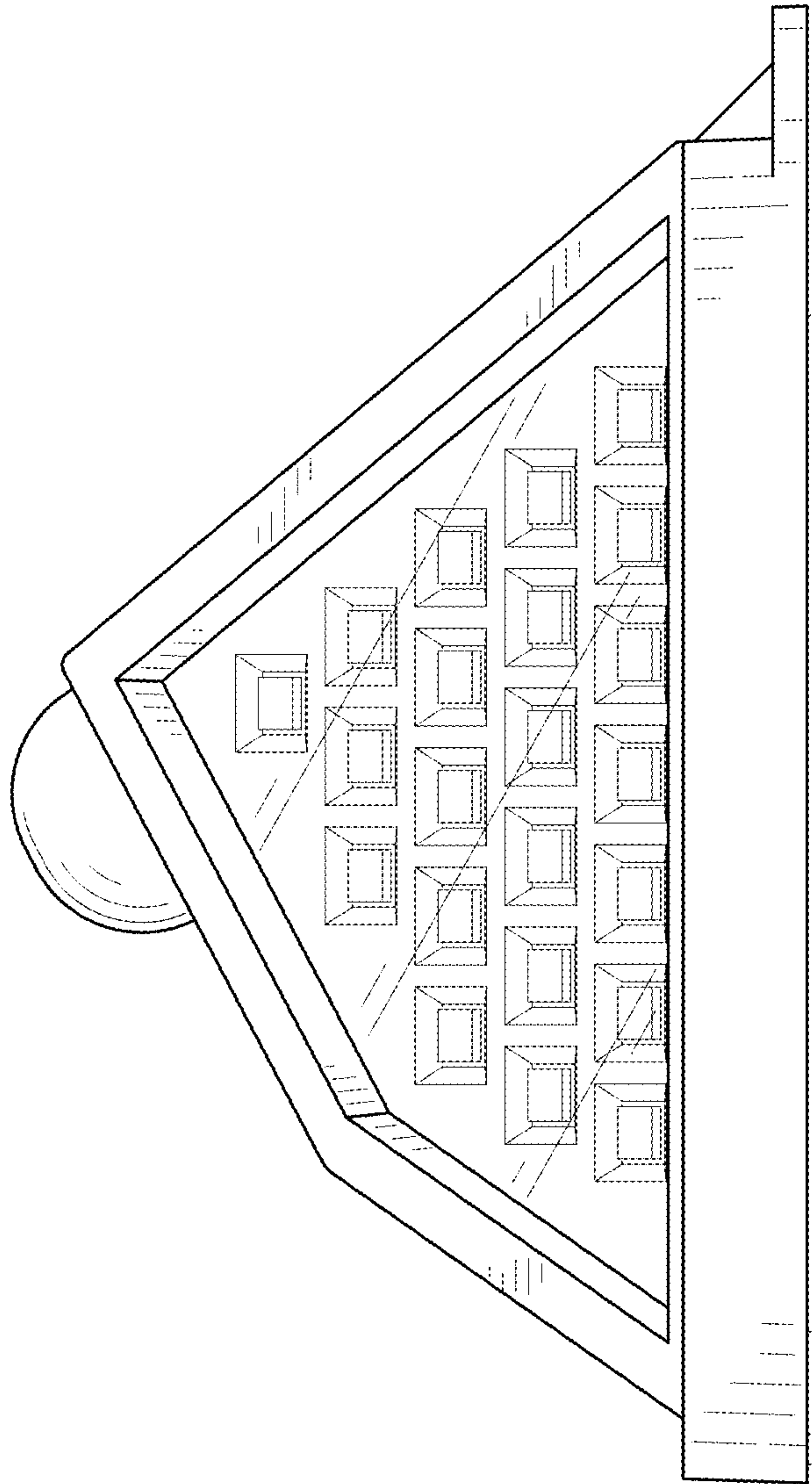


FIG. 6



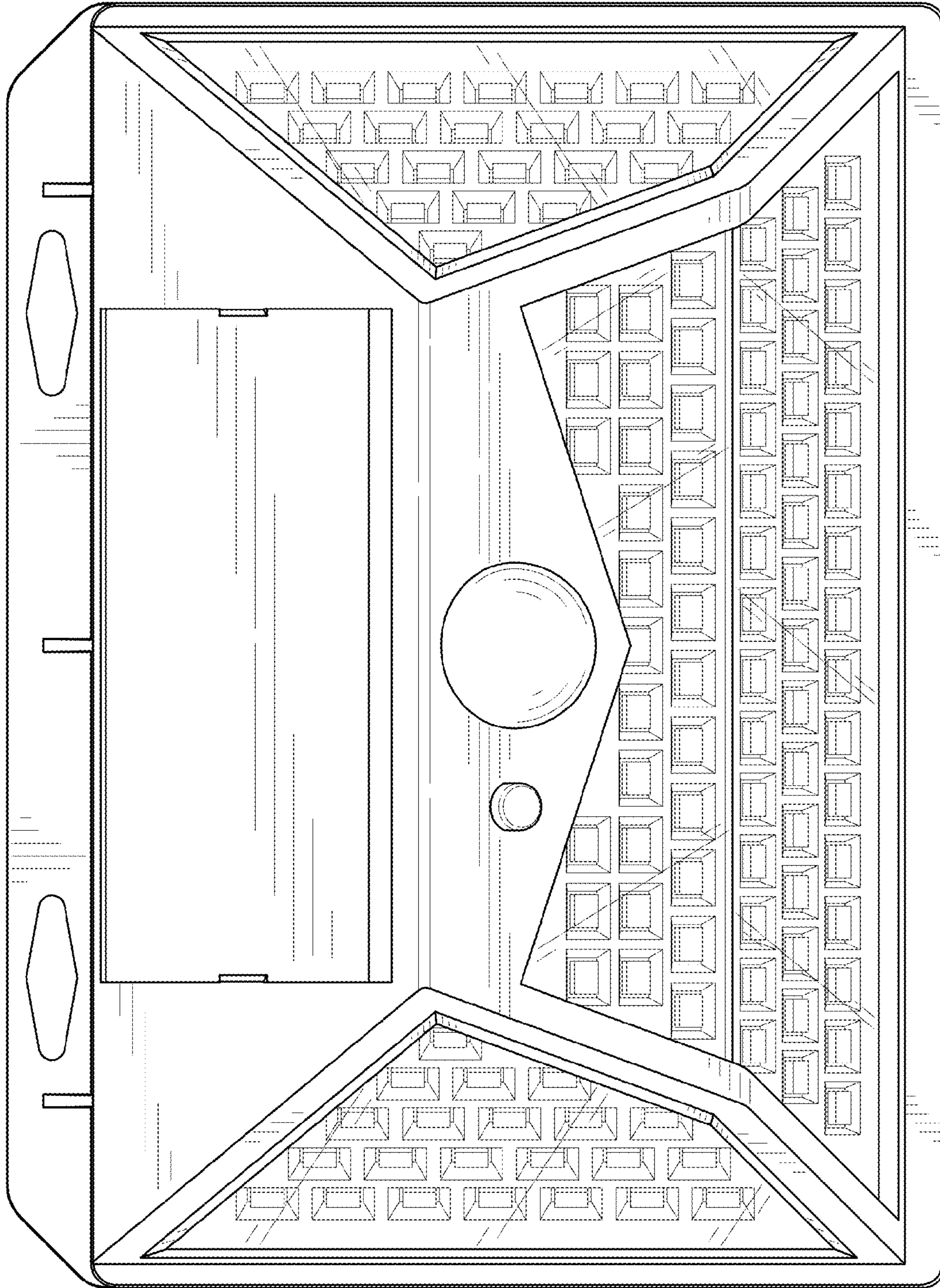


FIG. 7



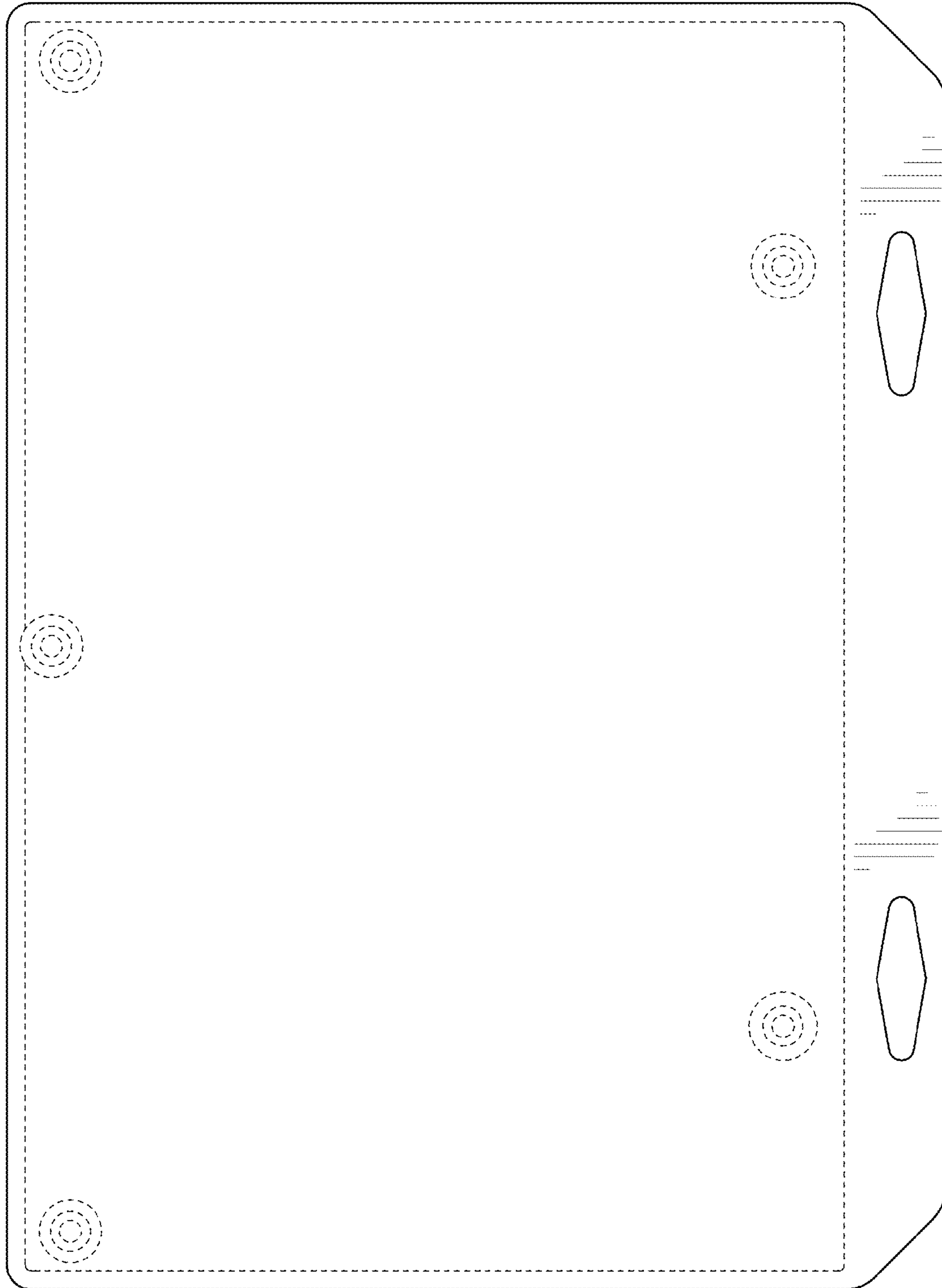


FIG. 8