



US00D923851S

(12) **United States Design Patent**  
**Symons**

(10) **Patent No.:** **US D923,851 S**  
(45) **Date of Patent:** **\*\* Jun. 29, 2021**

- (54) **LAMP**
- (71) Applicant: **Buzzispace NV**, Kontich (BE)
- (72) Inventor: **Steve Symons**, Knokke-Heist (BE)
- (73) Assignee: **Buzzispace NV**
- (\*\*) Term: **15 Years**
- (21) Appl. No.: **29/729,613**
- (22) Filed: **Mar. 27, 2020**
- (51) **LOC (13) Cl.** ..... **26-03**
- (52) **U.S. Cl.**  
USPC ..... **D26/81**
- (58) **Field of Classification Search**  
USPC ..... D26/72, 76, 80-86, 88-91  
CPC ..... F21S 8/03; F21S 8/04; F21S 8/043; F21S  
8/046; F21S 8/06; F21S 8/061; F21S  
8/063; F21S 8/065  
See application file for complete search history.

D602,192 S *	10/2009	Tunze	.....	D26/88
D755,433 S *	5/2016	Sonneman	.....	D26/84
D806,928 S *	1/2018	Amato	.....	D26/88
D843,045 S *	3/2019	Vanslambrouck	.....	D26/72
D851,322 S *	6/2019	Anastassiades	.....	D26/91
D897,589 S *	9/2020	Cornelissen	.....	D26/88
2019/0339443 A1 *	11/2019	Ross	.....	G02B 6/0073

**OTHER PUBLICATIONS**

Blog Post by Joseph Starr titled 'At NeoCon 2019: BuzziDome by BuzziSpace', posted Jun. 7, 2019 at <<http://media.designerpages.com/2019/06/at-neoc>>. (Year: 2019).\*

\* cited by examiner

*Primary Examiner* — Clare E Heflin  
(74) *Attorney, Agent, or Firm* — Fresh IP PLC; Clifford D. Hyra; Aubrey Y. Chen

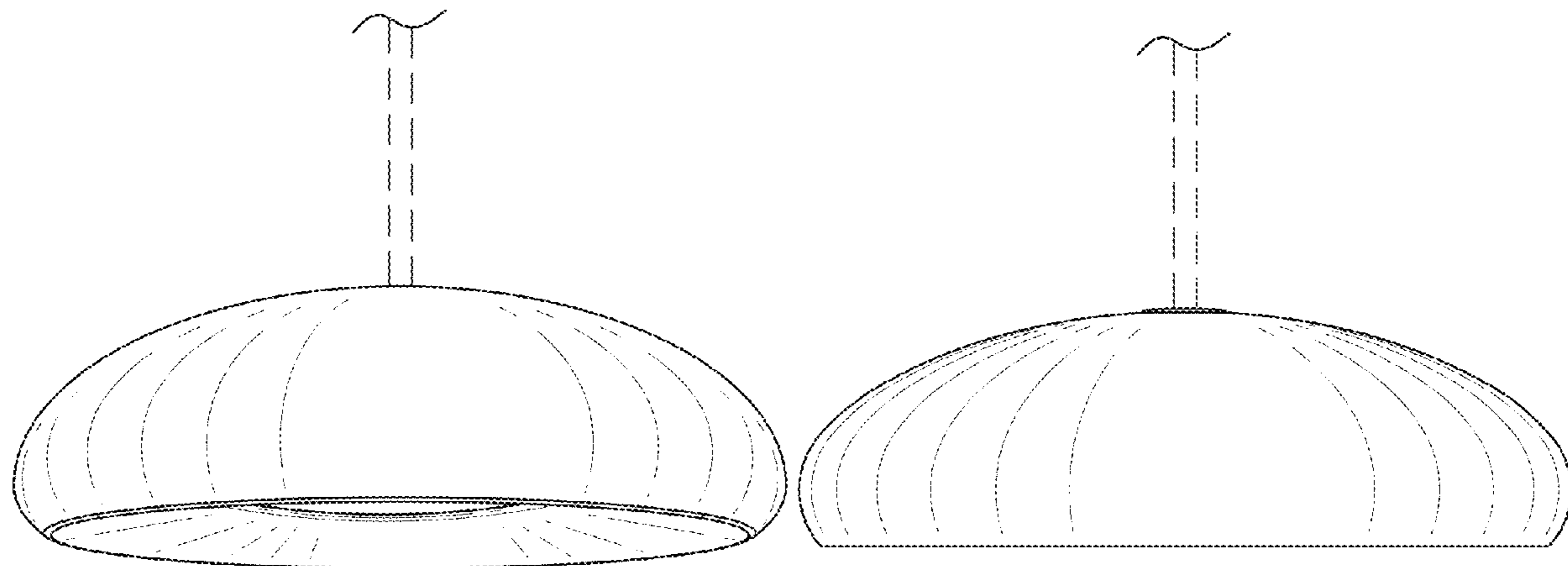
(57) **CLAIM**

The ornamental design for a lamp, as shown and described.

**DESCRIPTION**

FIG. 1 is a side perspective view of a lamp;  
FIG. 2 is another side perspective view thereof;  
FIG. 3 is a side view thereof;  
FIG. 4 is a top view thereof; and,  
FIG. 5 is a bottom view thereof.  
The broken lines in the drawings are included for the purpose of illustrating subject matter that forms no part of the claimed design.

**1 Claim, 5 Drawing Sheets**



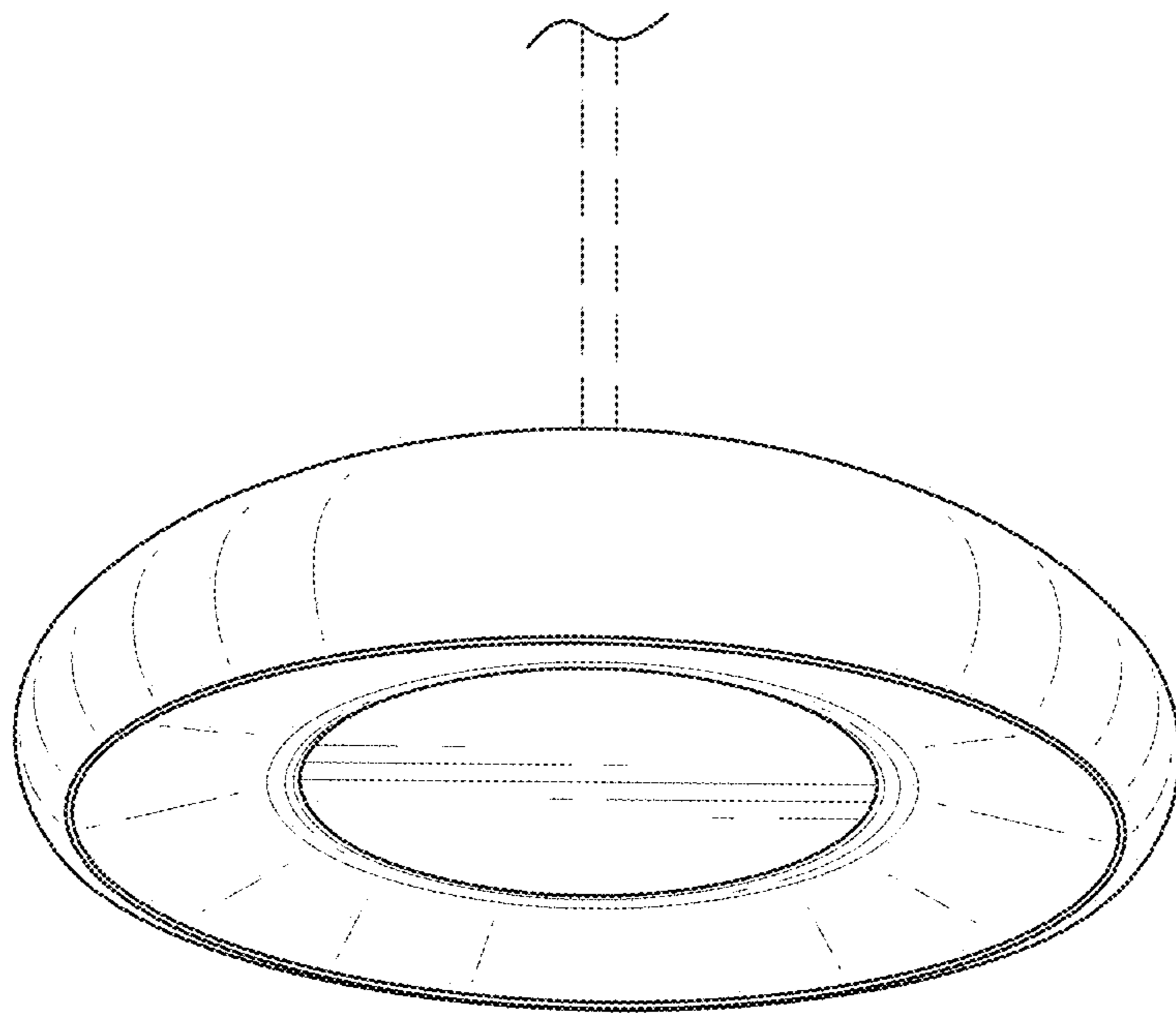


FIG. 1

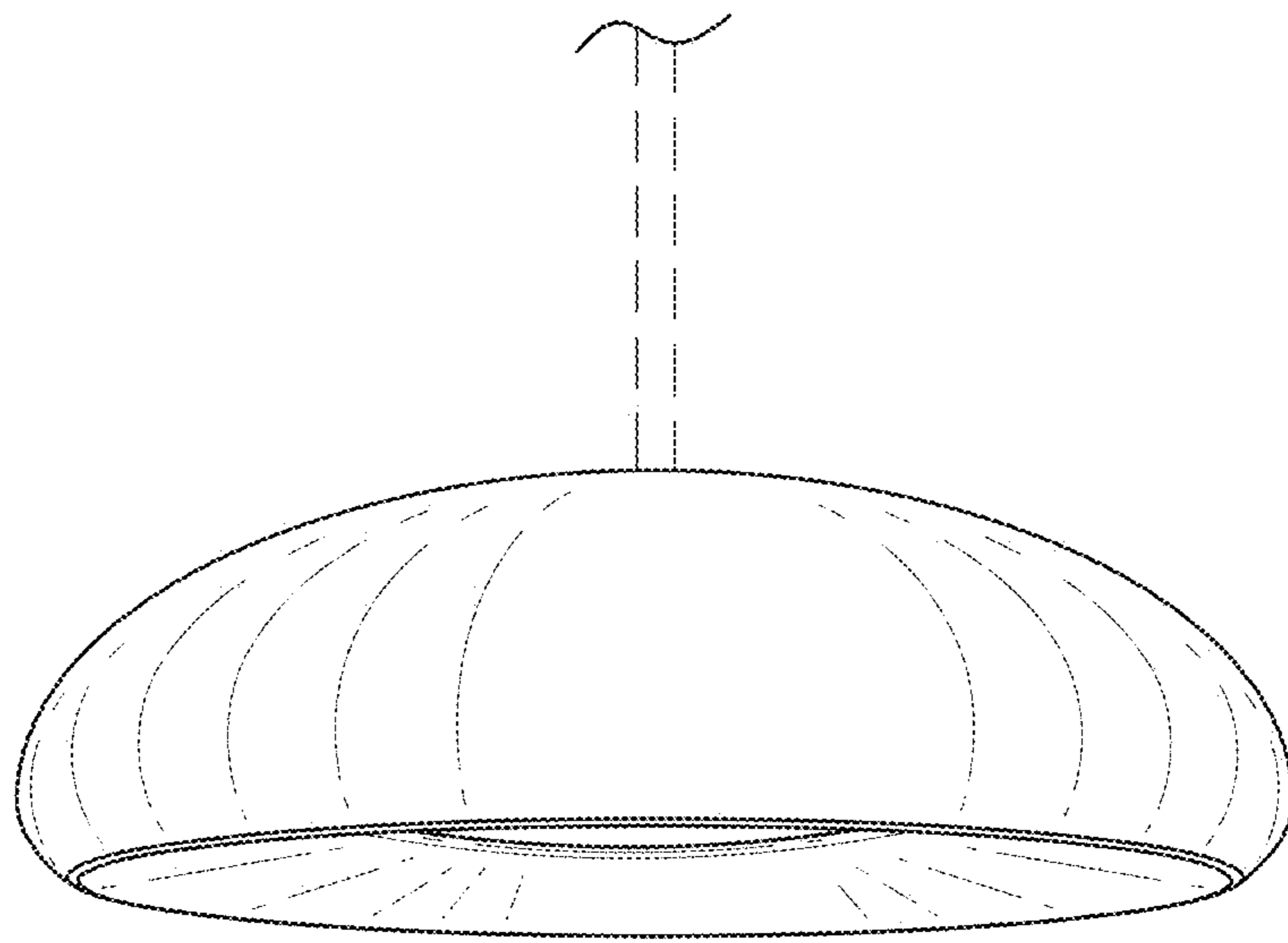


FIG. 2

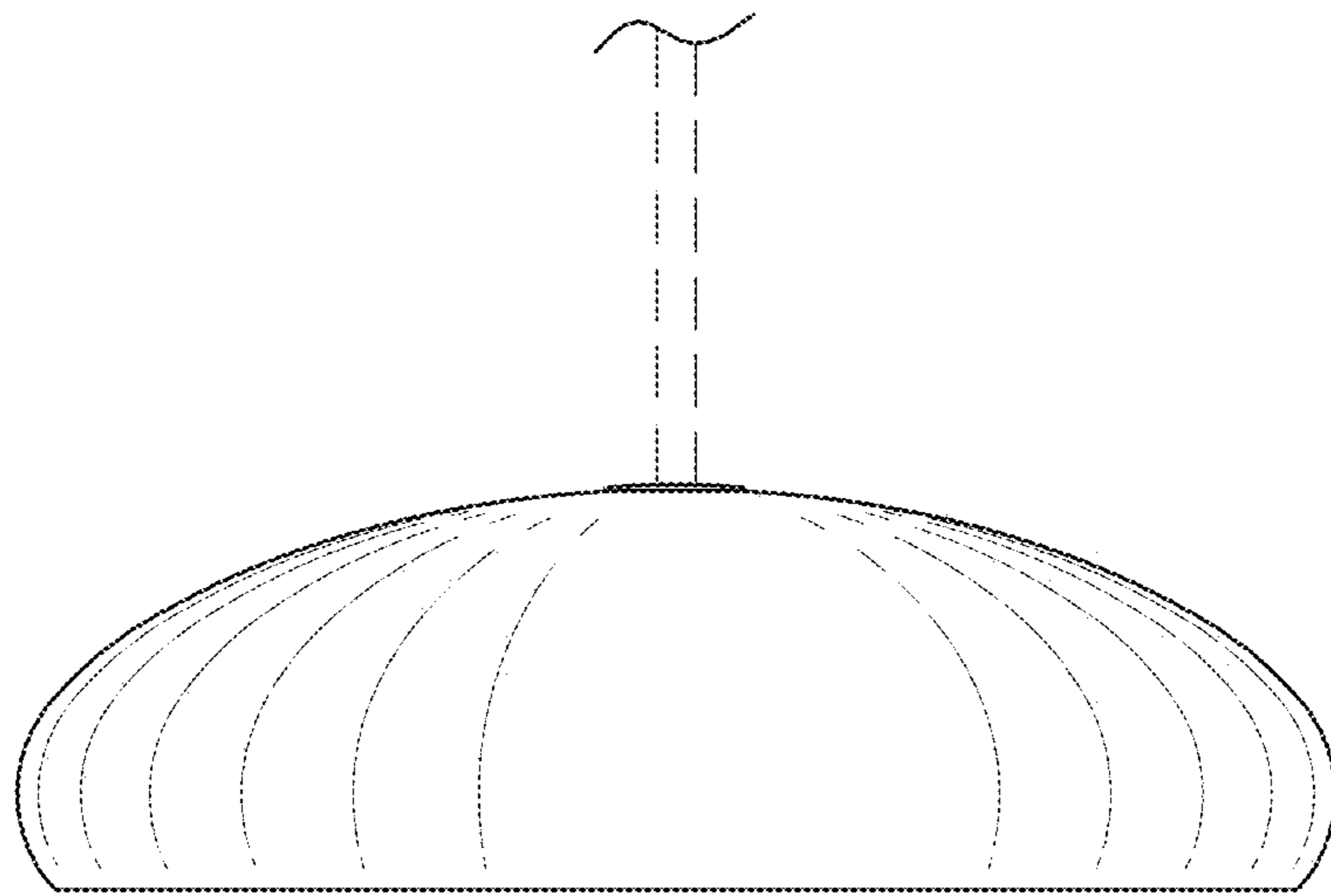


FIG. 3

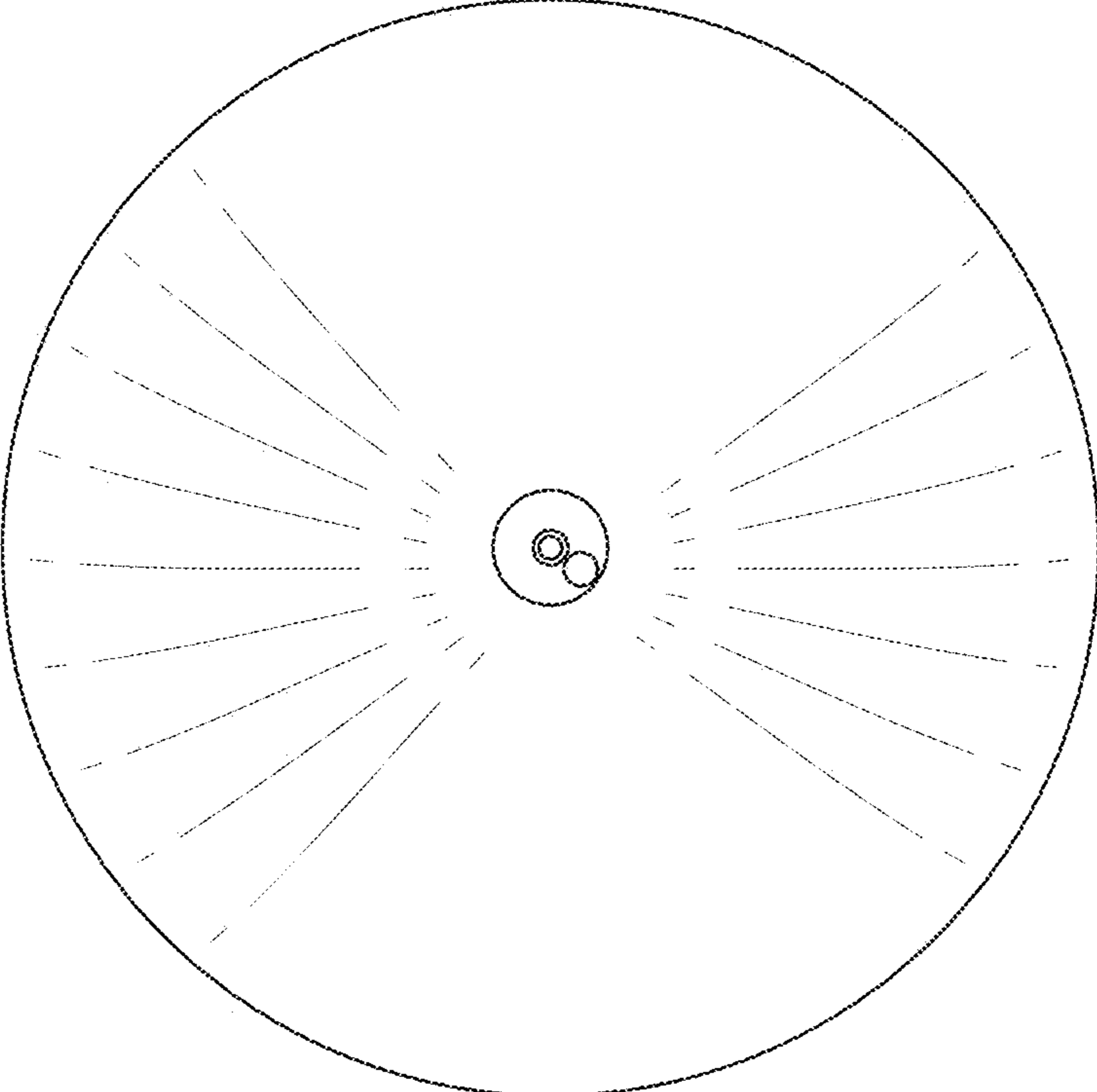


FIG. 4

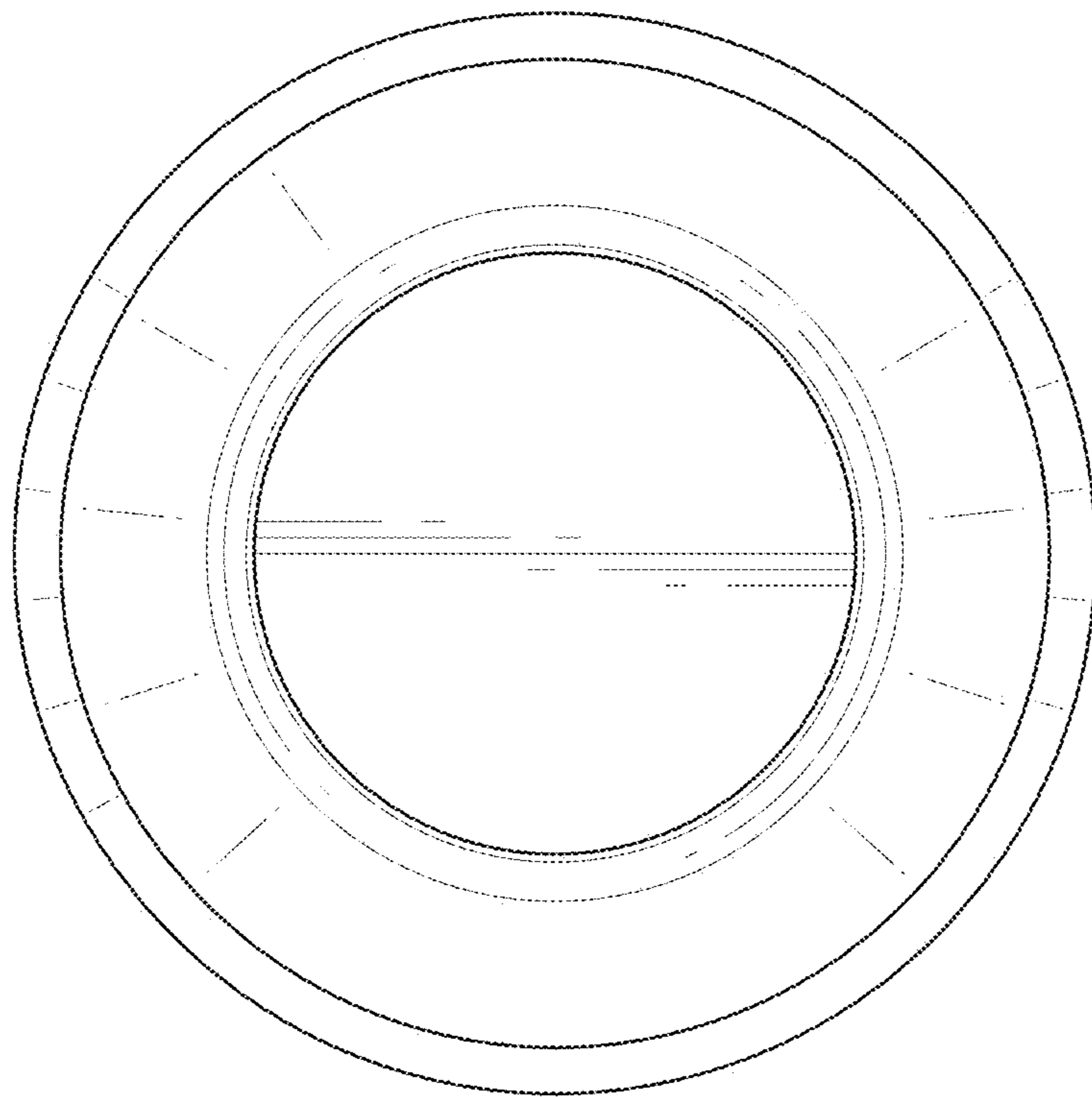


FIG. 5