



US00D923850S

(12) **United States Design Patent**
Liu

(10) **Patent No.:** **US D923,850 S**
(45) **Date of Patent:** **** Jun. 29, 2021**

(54) **LED GROW LIGHT**

(71) Applicant: **SunPlus LED Technology Co., Ltd,**
Shenzhen (CN)

(72) Inventor: **Zhixing Liu,** Shenzhen (CN)

(**) Term: **15 Years**

(21) Appl. No.: **29/768,349**

(22) Filed: **Jan. 28, 2021**

(51) **LOC (13) Cl.** **26-04**

(52) **U.S. Cl.**
USPC **D26/76**

(58) **Field of Classification Search**

USPC D26/72, 74, 76, 78–83, 85, 86, 88, 90,
D26/93, 111, 113, 118–122, 138, 139,
D26/140, 141, 142, 152
CPC F21S 2/00; F21S 4/00; F21S 4/003; F21S
4/005; F21S 4/006; F21S 4/007; F21S
4/008; F21S 6/00; F21S 8/00; F21S
8/024; F21S 8/026; F21S 8/031; F21S
8/033; F21S 8/035–037; F21S 8/04; F21S
8/043; F21S 8/063

See application file for complete search history.

(56) **References Cited**

U.S. PATENT DOCUMENTS

D463,059 S * 9/2002 Verfuerrth D26/78
D652,160 S 1/2012 Brown
D714,486 S * 9/2014 Wilke D26/113
D731,103 S * 6/2015 Wilke D26/72
D804,077 S * 11/2017 Ma D26/76
D807,567 S * 1/2018 Tweel D26/118
D809,701 S * 2/2018 Tweel D26/118
D822,885 S * 7/2018 Tweel D26/118
D822,886 S * 7/2018 Tweel D26/118
D824,570 S * 7/2018 Bobel D26/76

D863,656 S * 10/2019 Klase D26/113
D868,337 S * 11/2019 Deng D26/76
D870,346 S * 12/2019 Deng D26/76
D910,898 S * 2/2021 Chen D26/76
2019/0056073 A1* 2/2019 Ulloa F21S 8/026
2020/0053967 A1* 2/2020 Murphy F21S 2/005

* cited by examiner

Primary Examiner — Natasha Vujcic

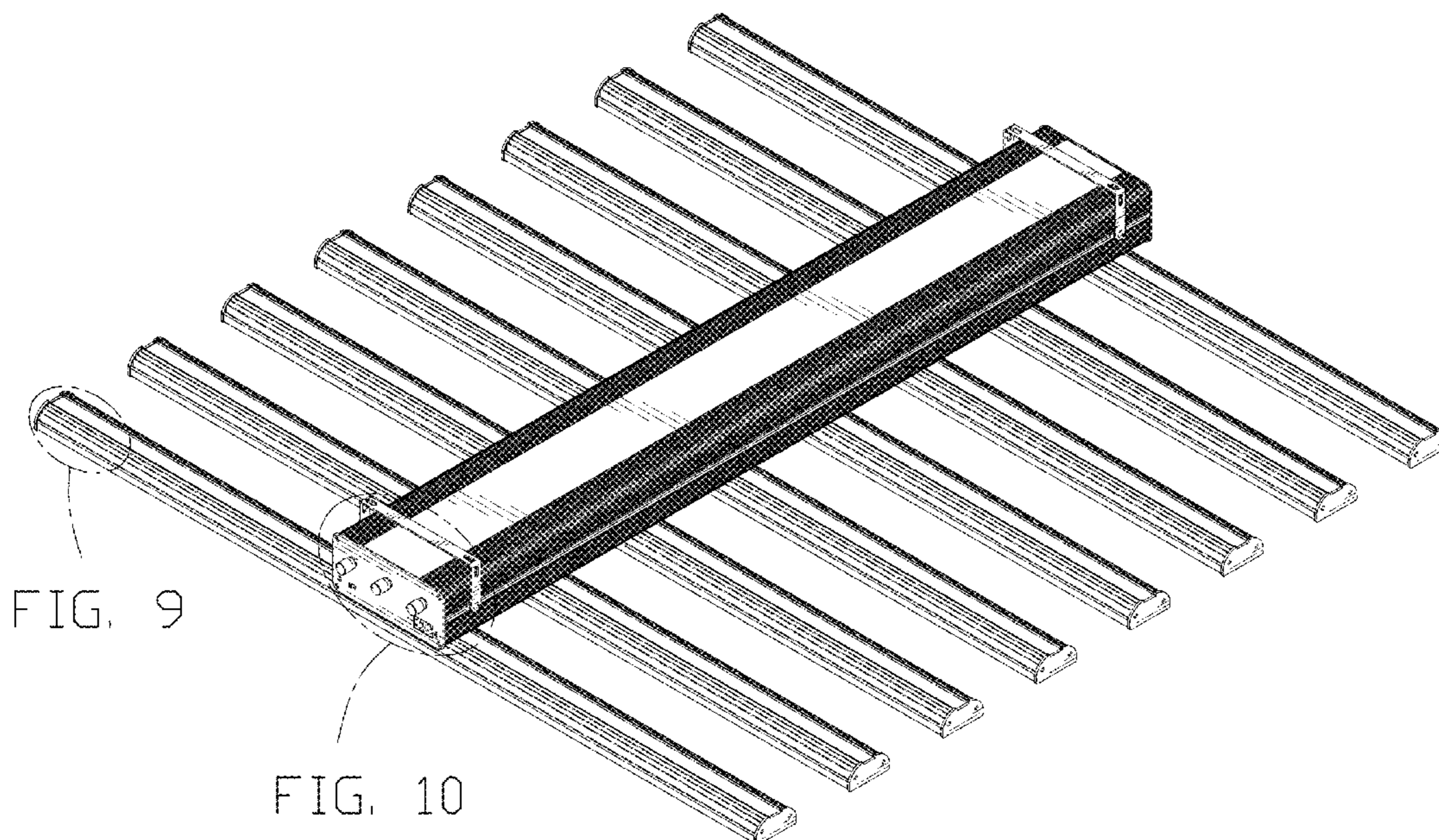
(57) **CLAIM**

The ornamental design for a LED grow light, as shown and described.

DESCRIPTION

FIG. 1 is a front and top perspective view of a LED grow light, showing my new design;
FIG. 2 is a rear and bottom perspective view thereof;
FIG. 3 is a front elevation view thereof;
FIG. 4 is a rear elevation view thereof;
FIG. 5 is a left side elevation view thereof;
FIG. 6 is a right side elevation view thereof;
FIG. 7 is a top plan view thereof;
FIG. 8 is a bottom plan view thereof;
FIG. 9 is an enlarged view of a portion labeled, 'FIG. 9' in FIG. 1;
FIG. 10 is an enlarged view of a portion labeled, 'FIG. 10' in FIG. 1; and,
FIG. 11 is an enlarged view of a portion labeled, 'FIG. 11' in FIG. 2.
The dash dot dash lines in FIGS. 1, 2, 9, 10 and 11 are for the purpose of depicting the cut line of the enlarged view and form no part of the claim. The broken lines in the figures illustrate portions of the article that form no part of the claimed design.

1 Claim, 11 Drawing Sheets



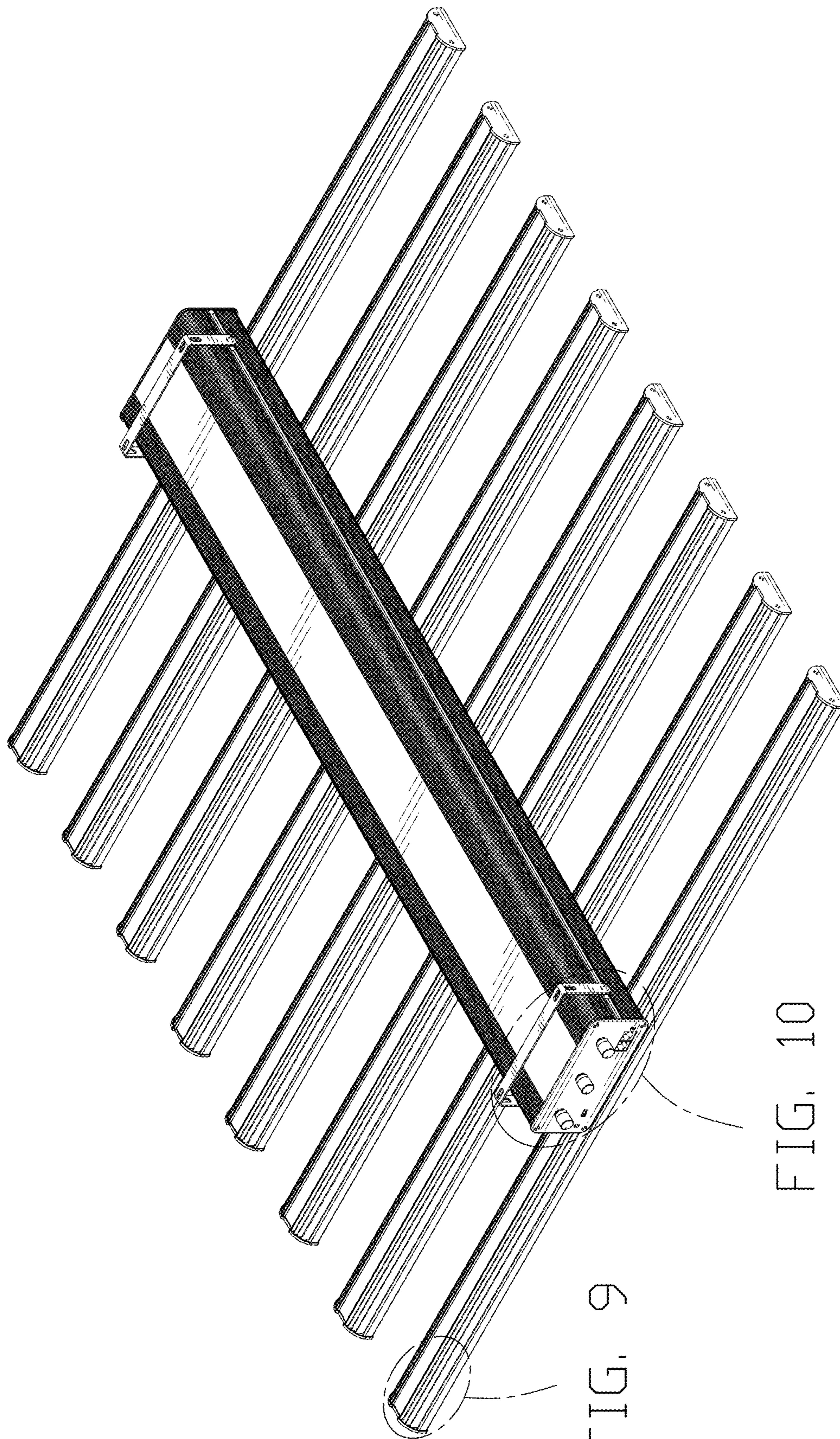


FIG. 1

FIG. 9

FIG. 10

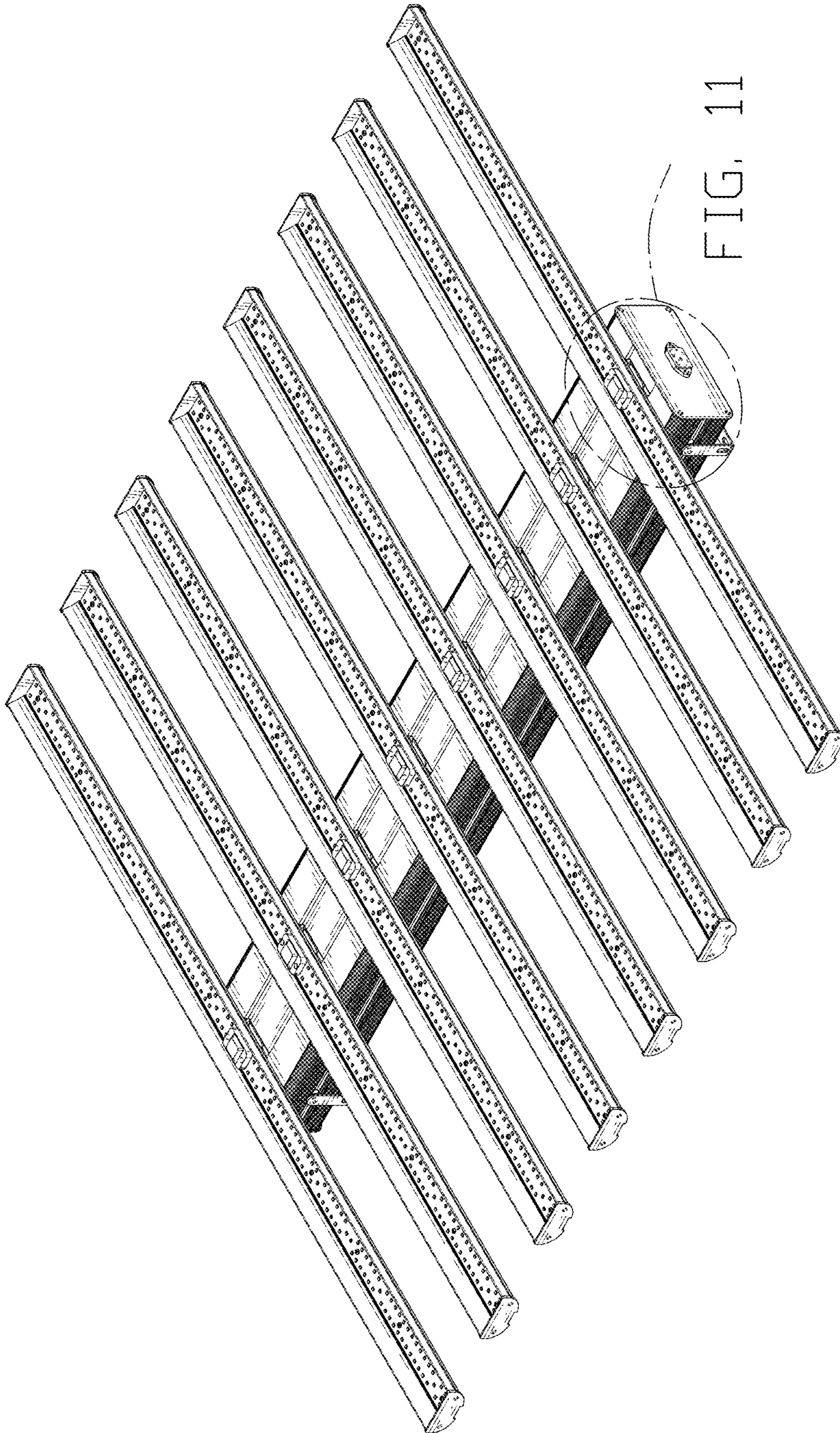


FIG. 11

FIG. 2

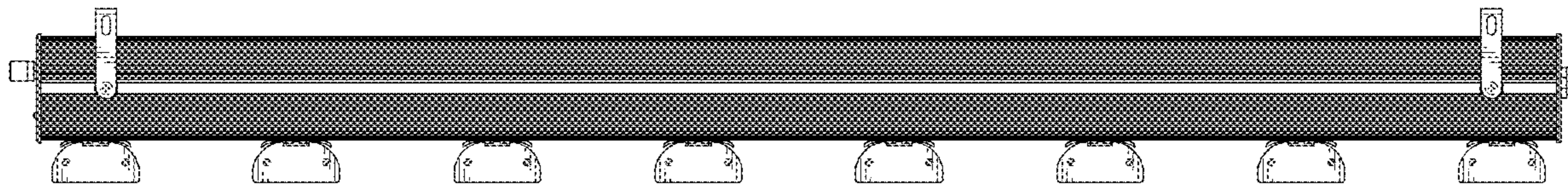


FIG. 3

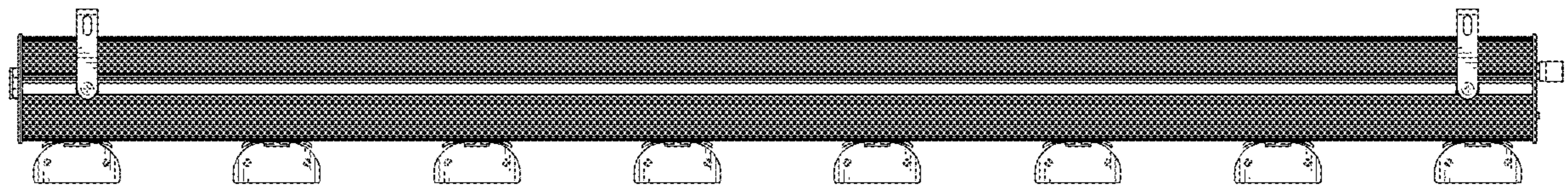


FIG. 4

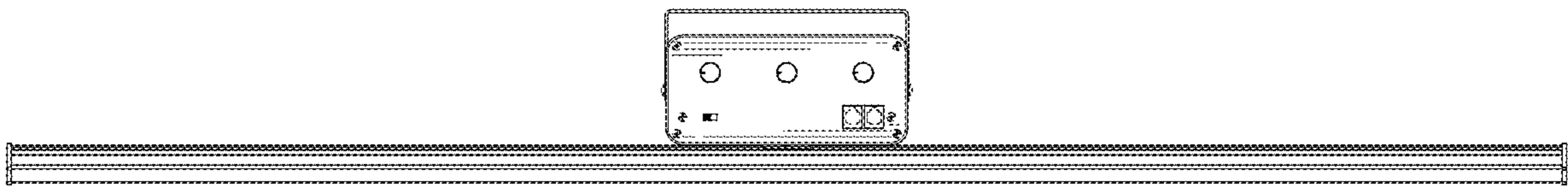


FIG. 5

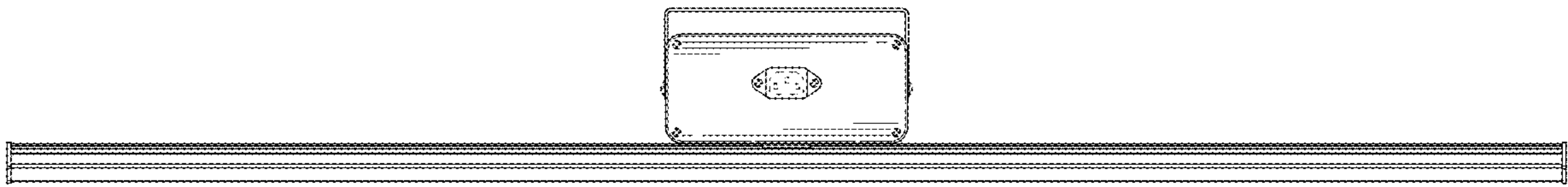


FIG. 6

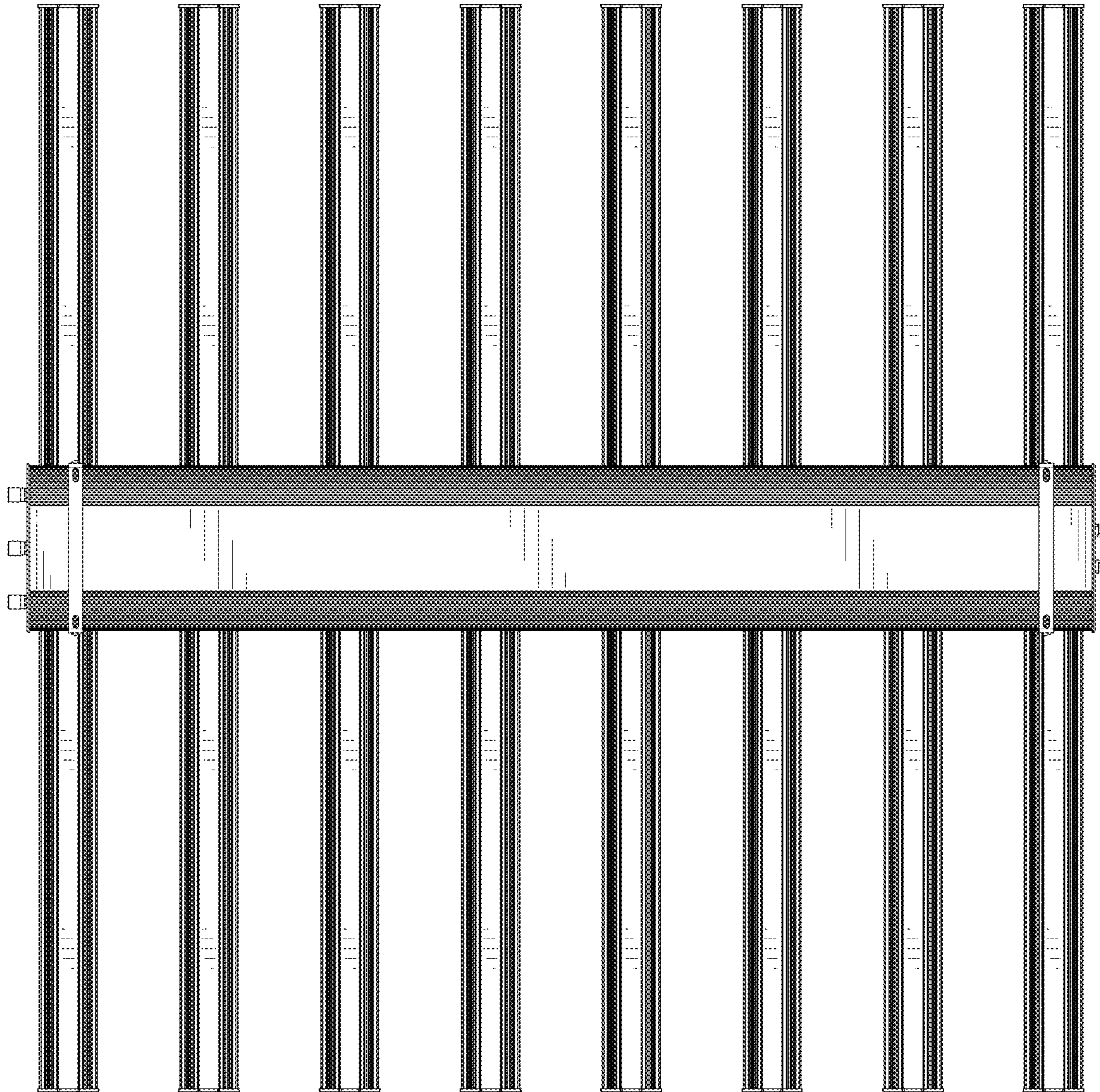


FIG. 7

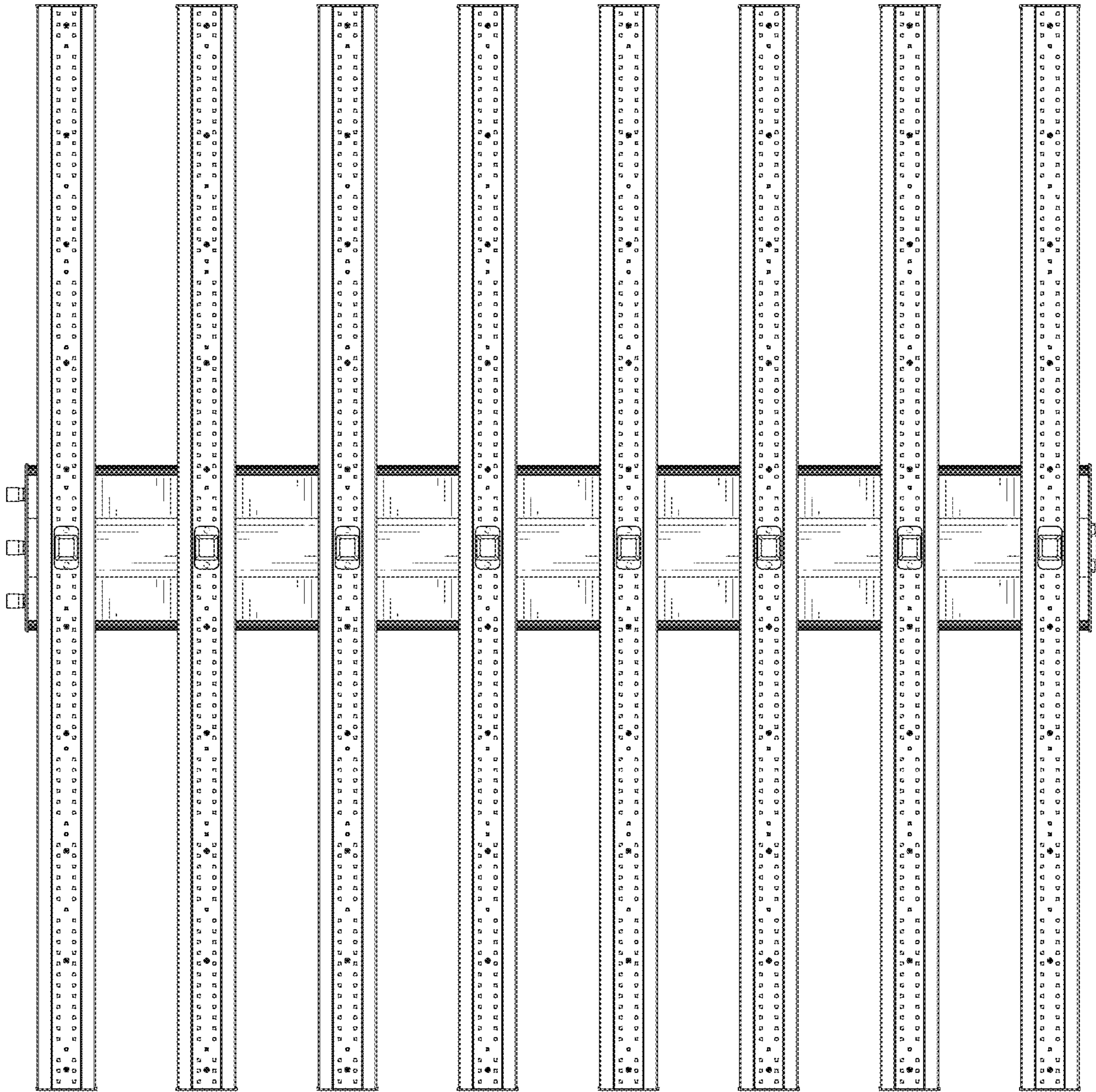


FIG. 8

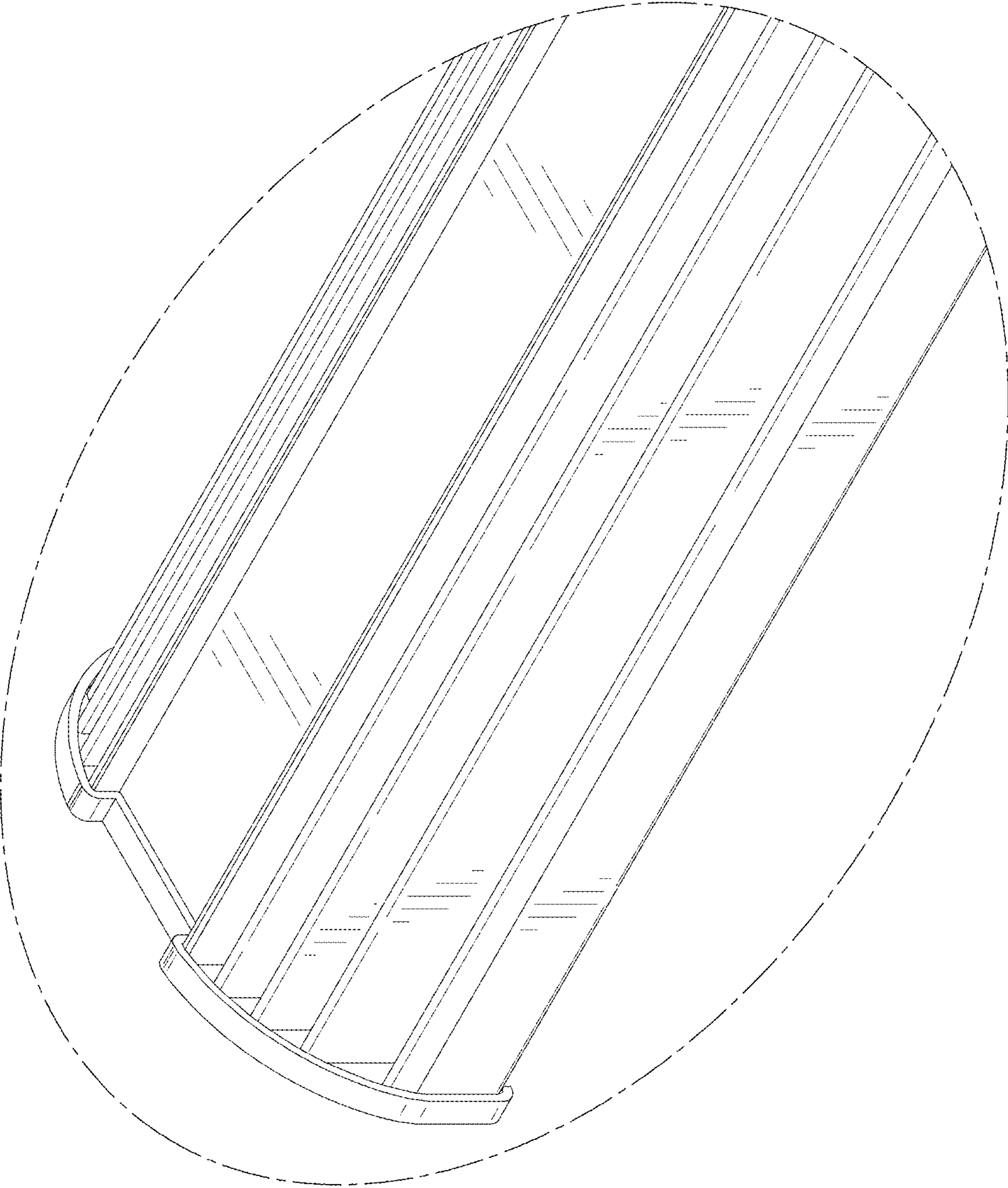


FIG. 9

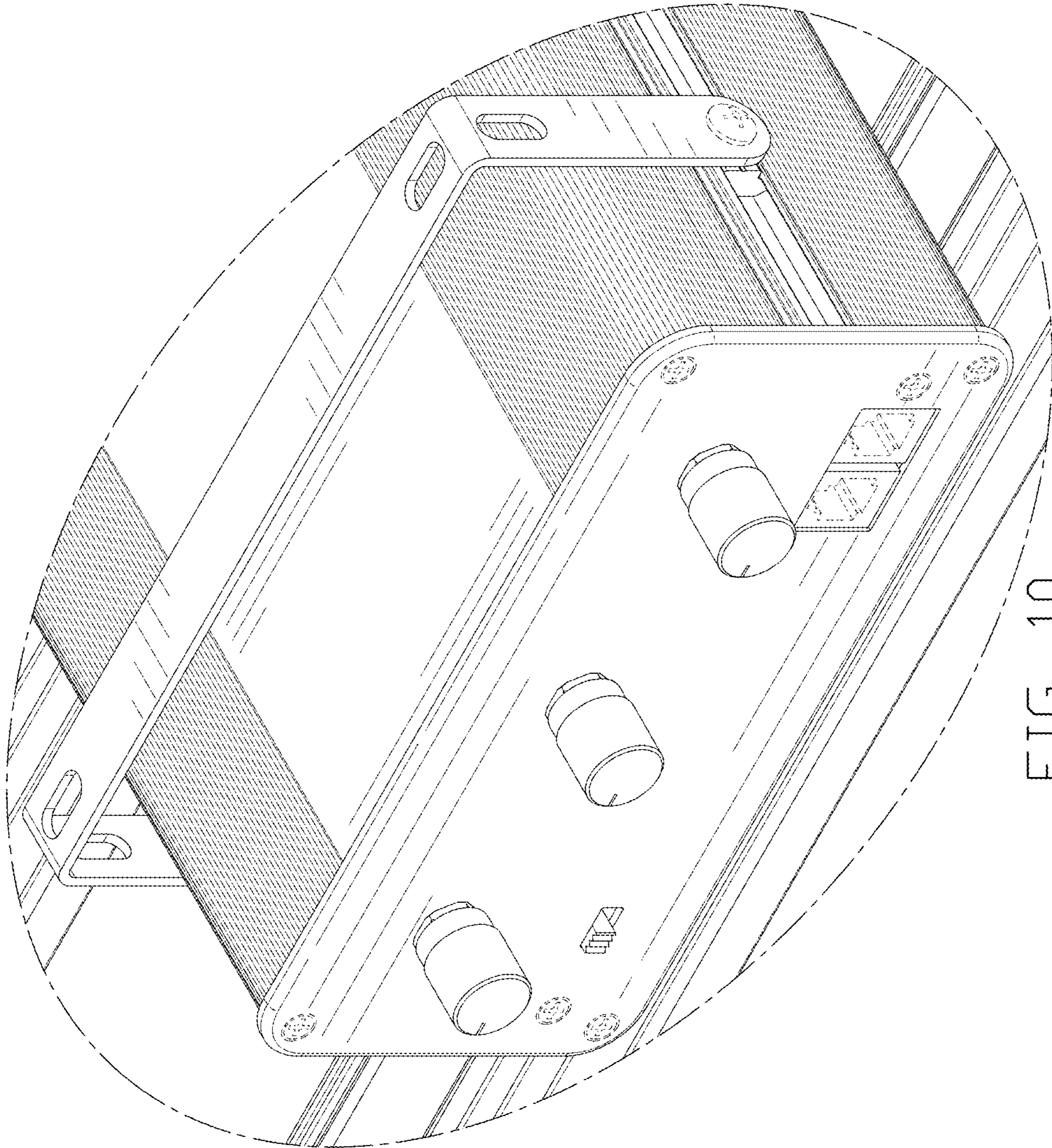


FIG. 10

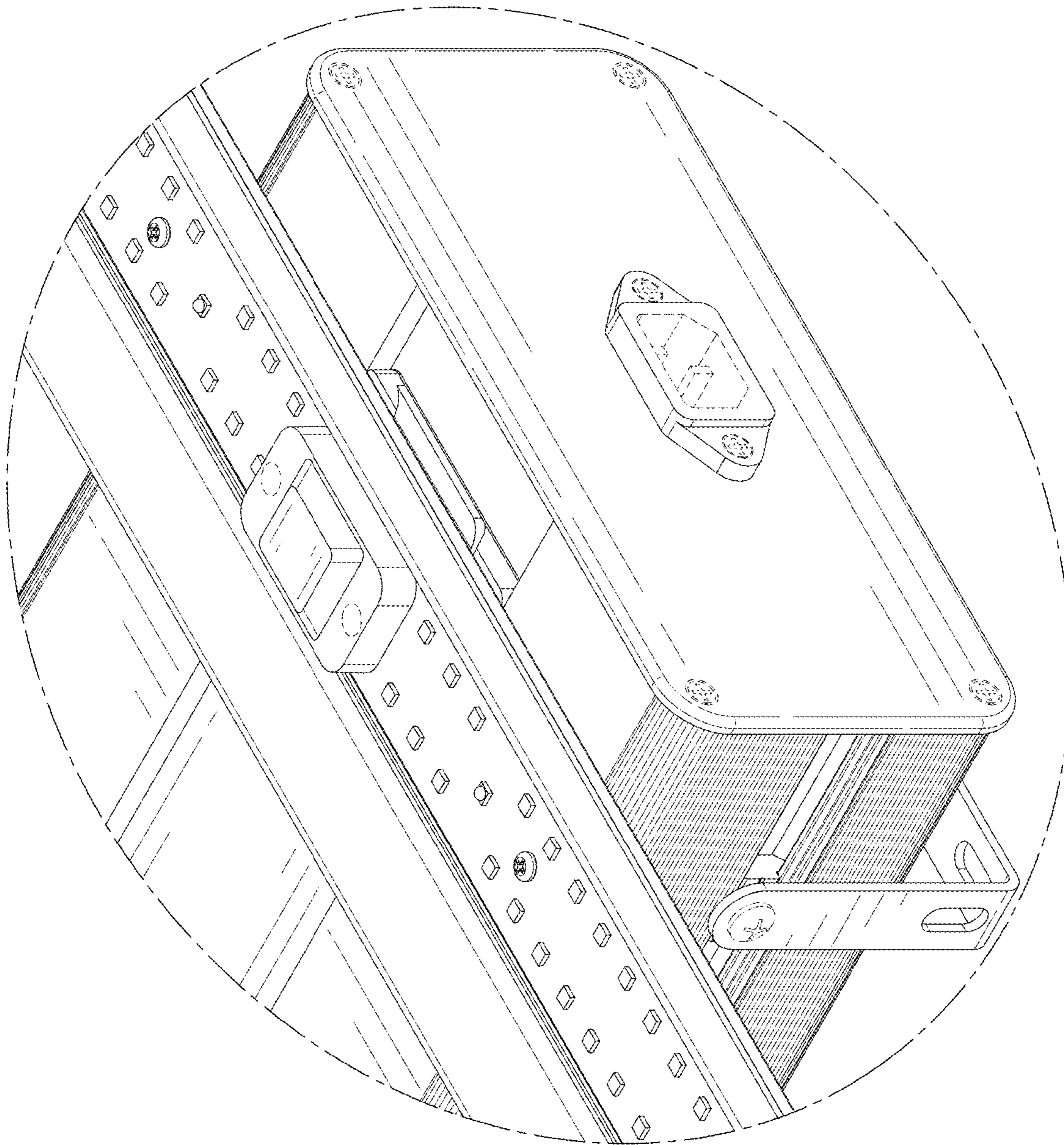


FIG. 11