



US00D923849S

(12) **United States Design Patent**
Yan et al.

(10) **Patent No.:** **US D923,849 S**
(45) **Date of Patent:** **** Jun. 29, 2021**

(54) **LAMP ASSEMBLY**

FOREIGN PATENT DOCUMENTS

(71) Applicant: **Shenzhen Ruizi Light Electricity Technology Co., Ltd.**, Shenzhen (CN)

CA 2074314 A * 1/1994 F21V 19/00
CN 3419446 * 1/2005

(Continued)

(72) Inventors: **Xinhong Yan**, Shenzhen (CN); **Xi Mi**, Shenzhen (CN); **Weiming Liang**, Shenzhen (CN); **Shunqing Liu**, Shenzhen (CN); **Ruiqian Xie**, Shenzhen (CN); **Yugang Shen**, Shenzhen (CN)

OTHER PUBLICATIONS

“Lithonia Lighting L232,” Sep. 28, 2011, amazon.com, site visited Nov. 19, 2020, URL: https://www.amazon.com/Lithonia-Lighting-L232-MV-Fluorescent/dp/B0064FBBP8/ref=sr_1_40?dchild=1&keywords=linear+lamps+with+reflectors&qid=1605812229&sr=8-40 (Year: 2011).*

(Continued)

(73) Assignee: **Shenzhen Ruizi Light Electricity Technology Co. Ltd.**, Shenzhen (CN)

(**) Term: **15 Years**

Primary Examiner — Eric L Goodman

Assistant Examiner — Sarah L Smith

(21) Appl. No.: **29/696,385**

(74) *Attorney, Agent, or Firm* — Hemisphere Law, PLLC; Zhigang Ma

(22) Filed: **Jun. 27, 2019**

(51) **LOC (13) Cl.** **26-04**

(52) **U.S. Cl.**
USPC **D26/76**

(58) **Field of Classification Search**
USPC D26/3, 24–27, 37–42, 46, 50, 60–69, 72, D26/74–78, 80–86, 88, 89, 93, 104, 106, D26/108, 109, 110, 113, 118–120, D26/122–124, 130, 133–137
CPC ... F21Y 2115/10; F21Y 2103/00; F21S 8/061; F21S 8/043; F21S 8/06; F21S 8/026; F21S 8/04; F21S 4/28; F21V 23/008; F21V 29/76
See application file for complete search history.

(57) **CLAIM**

The ornamental design for a lamp assembly, as shown and described.

DESCRIPTION

FIG. 1 is a first perspective view of a lamp assembly showing our new ornamental design, according to an embodiment;
FIG. 2 is a second perspective view of the lamp assembly of our new ornamental design;
FIG. 3 is a front elevational view of FIG. 1;
FIG. 4 is a rear elevational view of FIG. 1;
FIG. 5 is a left side elevational view of FIG. 1;
FIG. 6 is a right side elevational view of FIG. 1;
FIG. 7 is a top plan view of FIG. 1; and,
FIG. 8 is a bottom plan view of FIG. 1.
The broken line edges immediately adjacent to the claimed surfaces as shown in the drawings represent the boundaries of the claimed design, while all other broken lines are directed to environment and are for illustrative purpose only; the broken lines form no part of the claimed design.

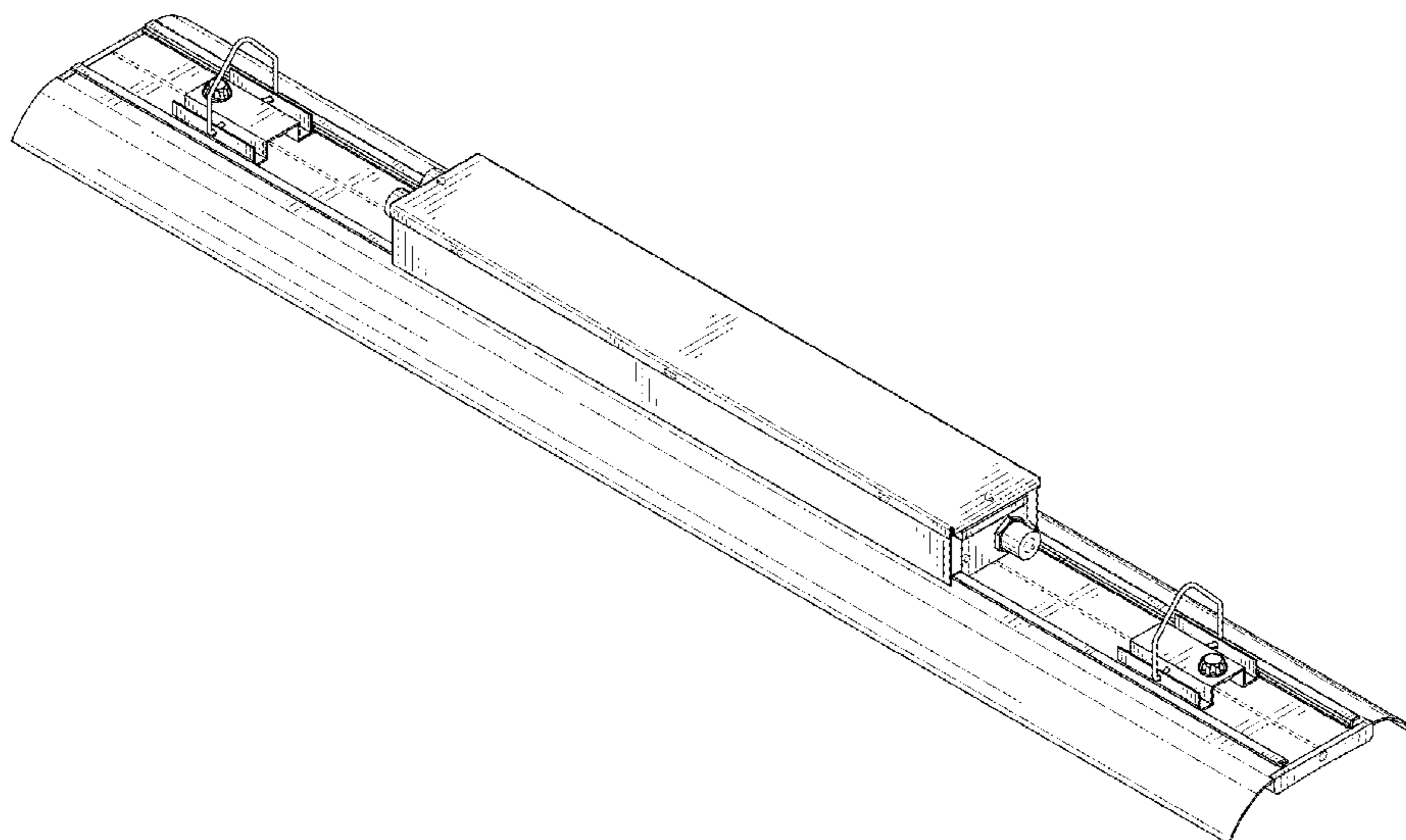
(56) **References Cited**

U.S. PATENT DOCUMENTS

D122,909 S * 10/1940 Stern F21S 4/26
D26/78
D125,001 S * 2/1941 Klingsick G02B 6/0088
D26/78

(Continued)

1 Claim, 8 Drawing Sheets



(56)

References Cited

U.S. PATENT DOCUMENTS

D128,968 S * 8/1941 Scribner D26/78
 3,247,368 A * 4/1966 McHugh F21V 19/00
 362/228
 5,371,661 A * 12/1994 Simpson F21V 19/008
 362/219
 D497,026 S * 10/2004 Hand D26/78
 7,011,428 B1 * 3/2006 Hand F21V 7/24
 362/217.05
 D760,418 S * 6/2016 Muchandi F21S 8/043
 D26/76
 D818,626 S * 5/2018 Park F21V 17/12
 D26/76
 D819,864 S * 6/2018 Deng D26/76
 10,663,118 B1 * 5/2020 Hsu F21S 8/043
 2016/0003455 A1 * 1/2016 Muchandi F21V 17/12
 362/235
 2019/0277464 A1 * 9/2019 Won G02B 6/0088
 2020/0340633 A1 * 10/2020 Chen F21S 4/26

FOREIGN PATENT DOCUMENTS

CN 300856663 * 12/2008
 CN 303135382 * 3/2015
 CN 303425249 * 10/2015

CN 303534585 * 12/2015
 CN 304652963 * 5/2018
 CN 208457679 U * 2/2019
 CN 208457775 U * 2/2019
 CN 209876738 U * 12/2019 F21S 9/02
 EM 002593384-0002 * 1/2015
 KR 300546722.0000 * 12/2009

OTHER PUBLICATIONS

“NJZ Lighting Launches UL844-Class I,” Mar. 31, 2017, ledsmagazine.com, site visited Nov. 20, 2020, URL: <https://www.ledsmagazine.com/directory/press-release/14057151/njz-lighting-technology-co-ltd-njz-lighting-launches-ul844class-i-div-2-ranger-series-hazloc-led-luminaires> (Year: 2017).*

“Brillihood 2-Pack 8FT LED Shop Light,” Jun. 5, 2018, amazon.com, site visited Nov. 19, 2020, URL: https://www.amazon.com/Equivalent-Fluorescent-Replacement-Warehouse-Supermarket/dp/B074Z7HNZQ/ref=sr_1_149?dchild=1&keywords=linear+lamps+with+reflectors&qid=1605811546&sr=8-149 (Year: 2018).*

“Leonlite 4FT LED Shop Light Linkable,” May 5, 2019, amazon.com, site visited Nov. 19, 2020, URL: https://www.amazon.com/LEONLITE-Utility-Integrated-Linkable-Ceiling/dp/B07RFGFV4C/ref=sr_1_125?dchild=1&keywords=linkable+led+light&qid=1605807973&s=hi&sr=1-125 (Year: 2019).*

* cited by examiner

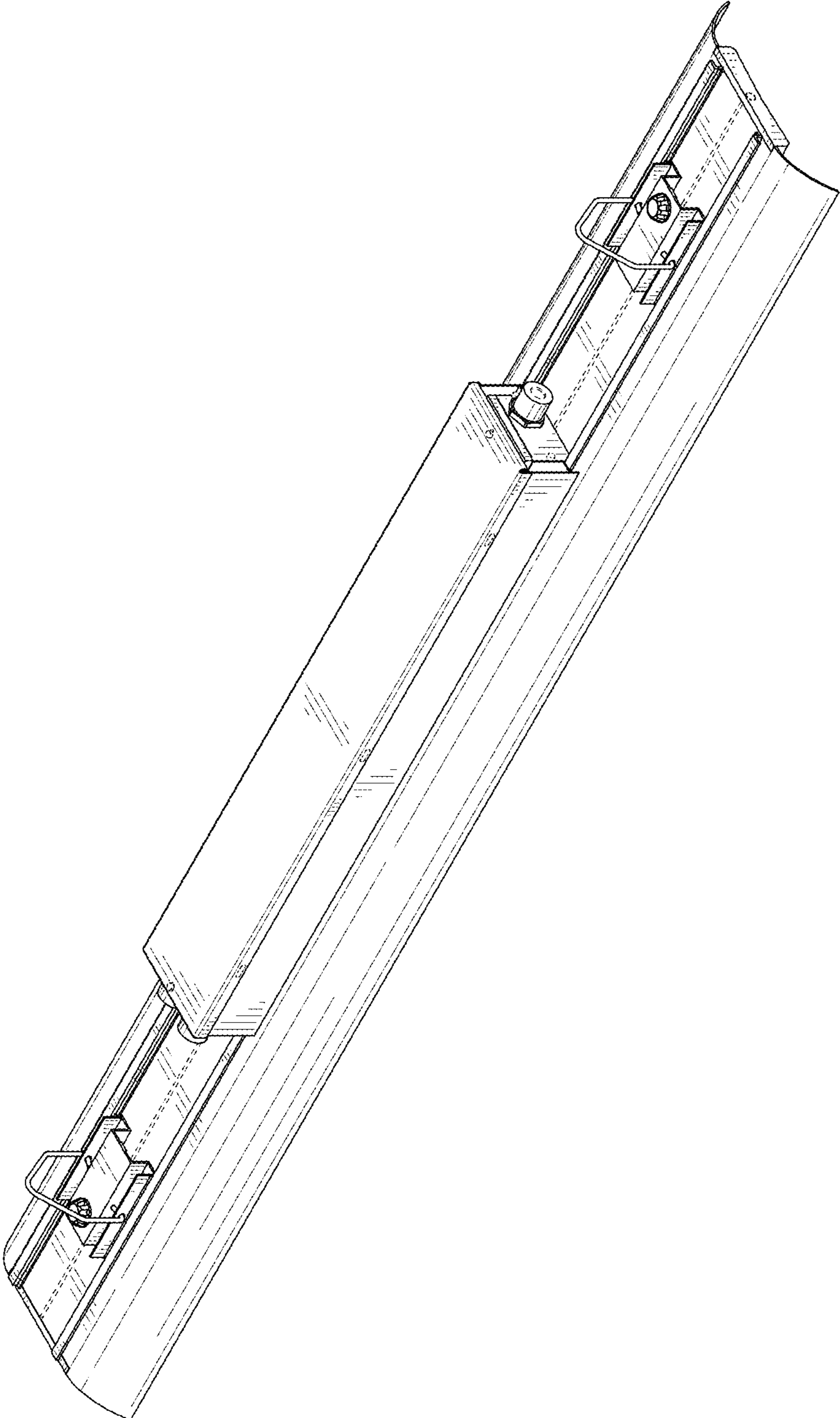


FIG. 1

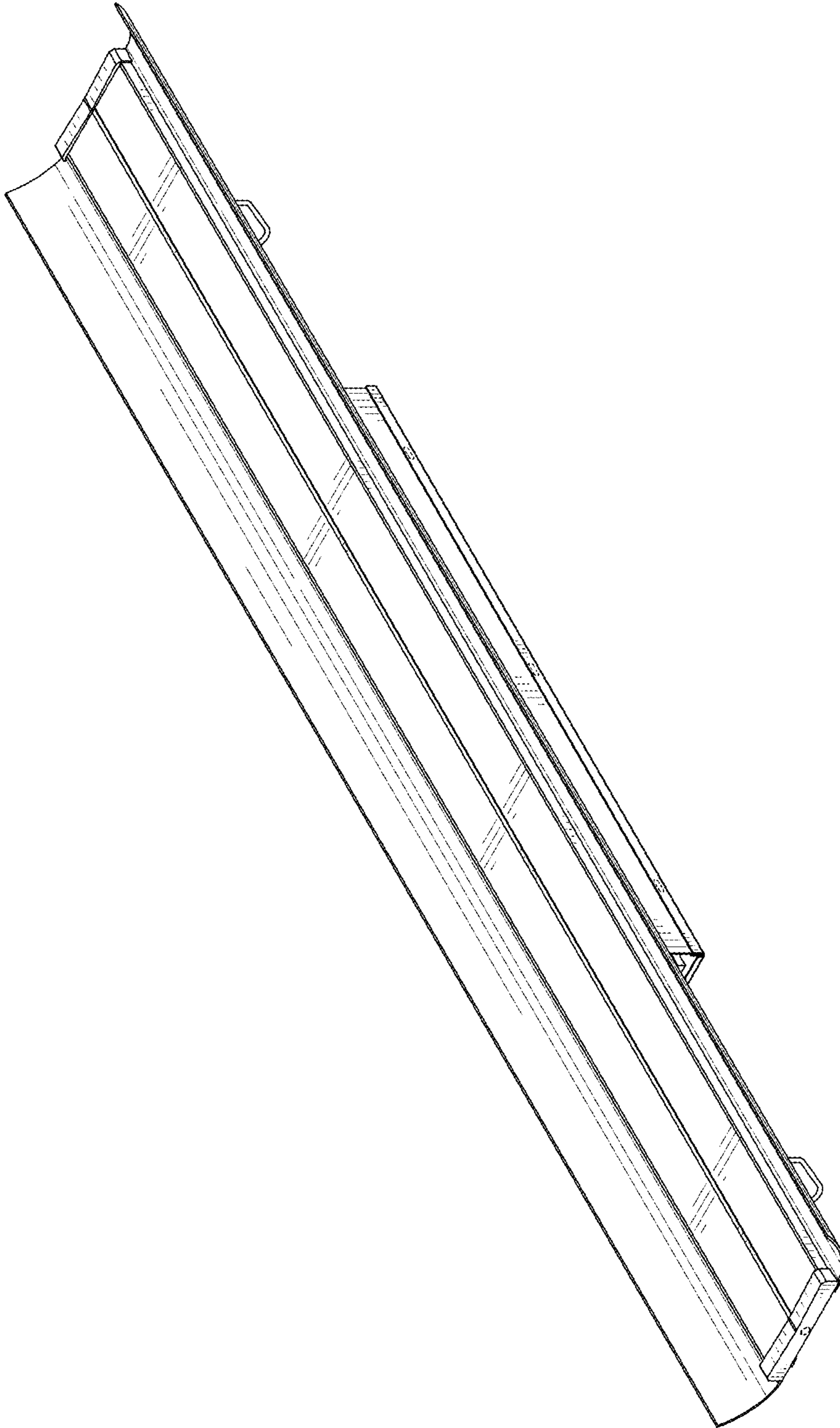


FIG. 2

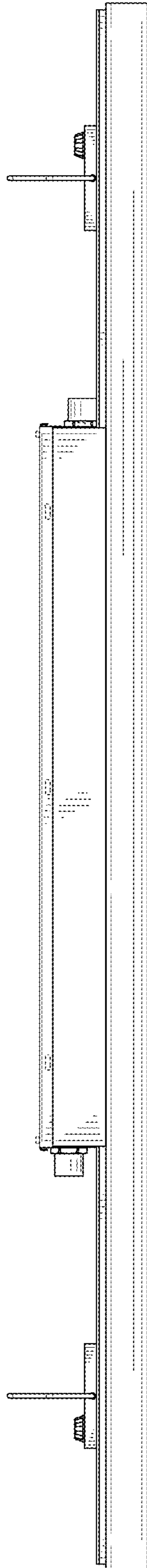


FIG. 3

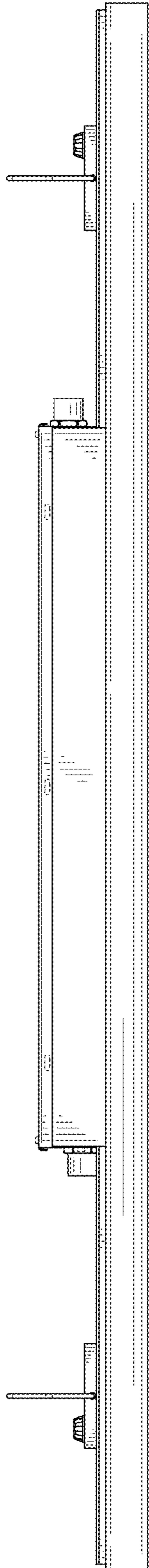


FIG. 4

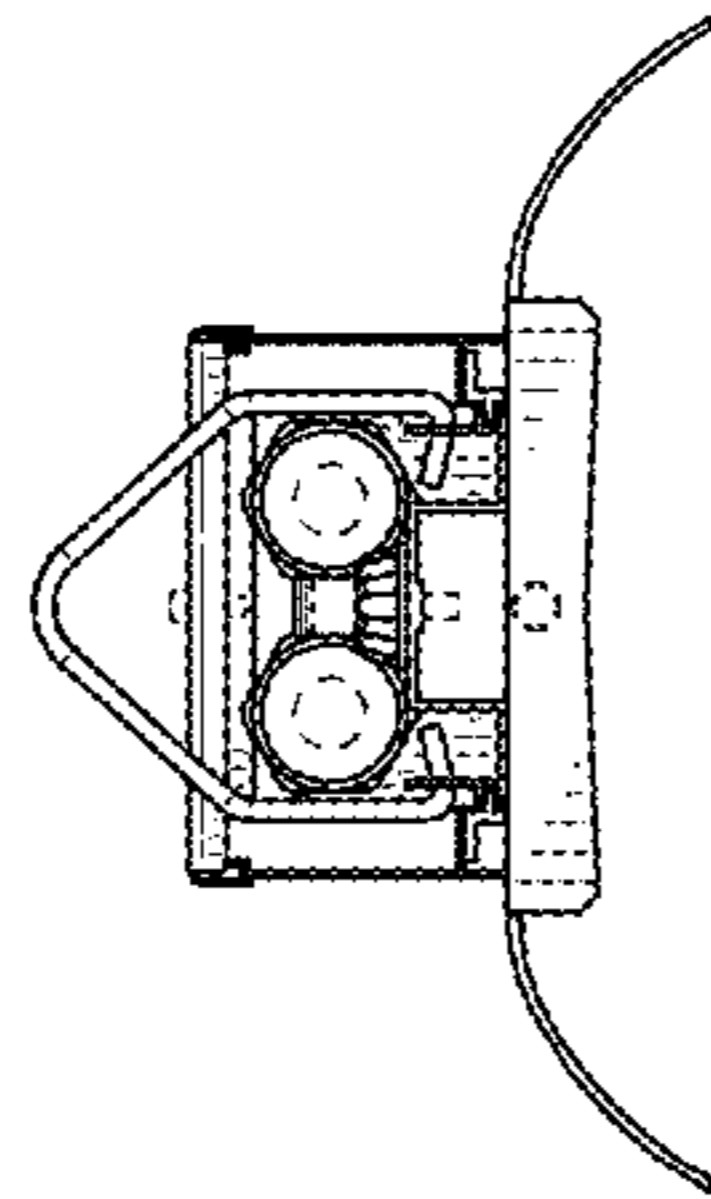


FIG. 5

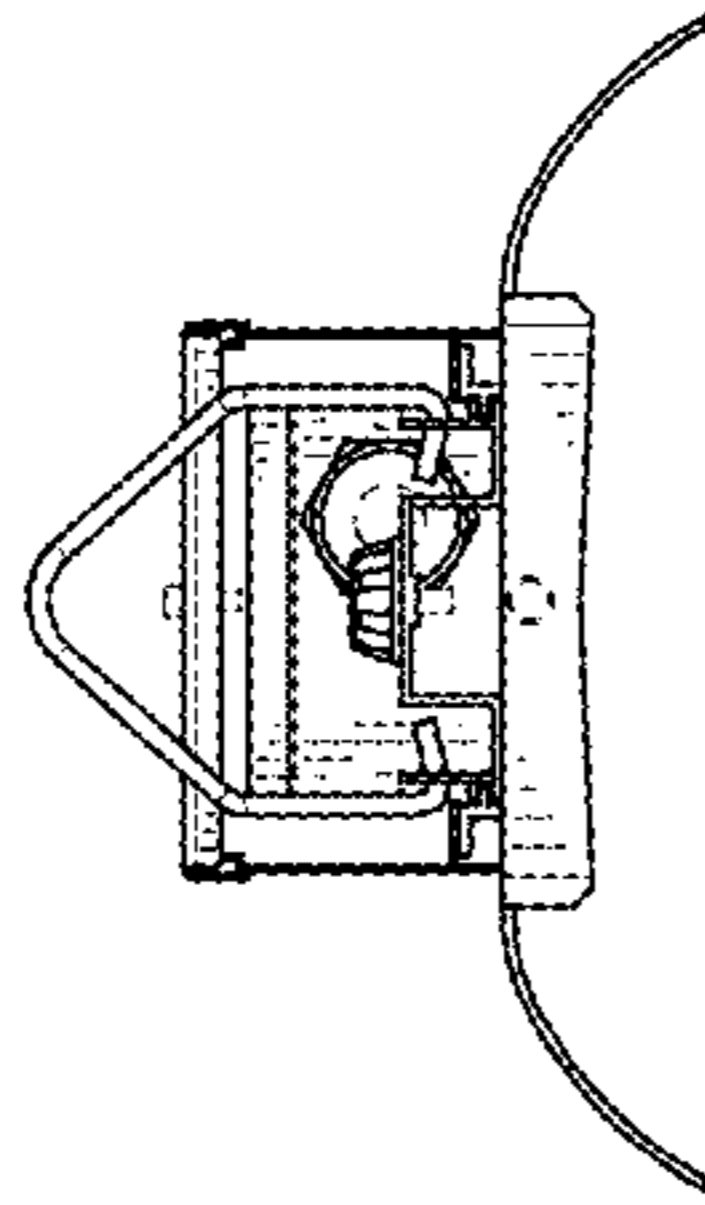


FIG. 6

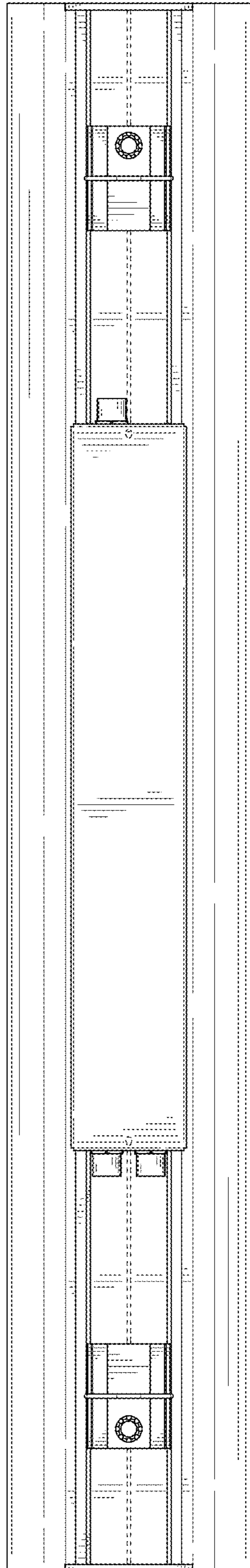


FIG. 7

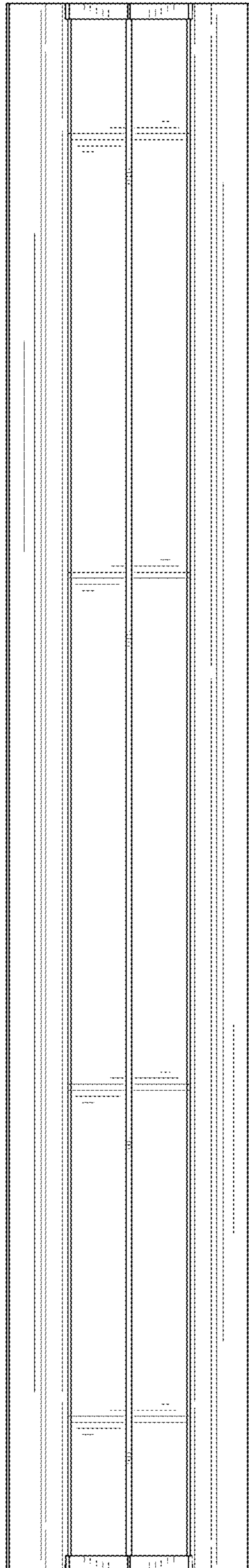


FIG. 8