



US00D923848S

(12) **United States Design Patent**
Harper

(10) **Patent No.:** **US D923,848 S**

(45) **Date of Patent:** **** Jun. 29, 2021**

(54) **LANDSCAPE LIGHT**

D78,170 S * 4/1929 Stallbaum D26/67
D82,636 S 11/1930 Underwood
D83,105 S 1/1931 Haas

(Continued)

(71) Applicant: **Volt, LLC**, Tampa, FL (US)

(72) Inventor: **Jesse Daniel Harper**, Wesley Chapel, FL (US)

OTHER PUBLICATIONS

(73) Assignee: **Volt, LLC**, Tampa, FL (US)

B&B Lamp Pineapple-Style Large Lamp Finial; at amazon.com as early as Jan. 25, 2017. (Year: 2017).

(**) Term: **15 Years**

(Continued)

(21) Appl. No.: **29/686,588**

Primary Examiner — Clare E Heflin

(22) Filed: **Apr. 5, 2019**

(74) *Attorney, Agent, or Firm* — Nelson Mullins Riley & Scarborough LLP

Related U.S. Application Data

(62) Division of application No. 29/655,070, filed on Jun. 29, 2018, now Pat. No. Des. 849,982, which is a division of application No. 29/577,629, filed on Sep. 14, 2016, now Pat. No. Des. 824,070.

(57) **CLAIM**

The ornamental design for a landscape light, as shown and described.

(51) **LOC (13) Cl.** **26-05**

(52) **U.S. Cl.**
USPC **D26/68**

DESCRIPTION

(58) **Field of Classification Search**
USPC D26/67-70, 72, 73, 85, 87, 92
CPC F21S 8/03; F21S 8/033; F21S 8/036; F21S 8/081; F21W 2111/102; F21W 2111/023; F21W 2131/109

FIG. 1 is a front perspective view of a landscape light embodying the design of the present invention.

FIG. 2 is a right side elevation view of the landscape light illustrated in FIG. 1.

FIG. 3 is a left side elevation view of the landscape light illustrated in FIG. 1.

FIG. 4 is a rear elevation view of the landscape light illustrated in FIG. 1.

FIG. 5 is a front elevation view of the landscape light illustrated in FIG. 1.

FIG. 6 is a top plan view of the landscape light illustrated in FIG. 1; and,

FIG. 7 is a bottom plan view of the landscape light illustrated in FIG. 1.

See application file for complete search history.

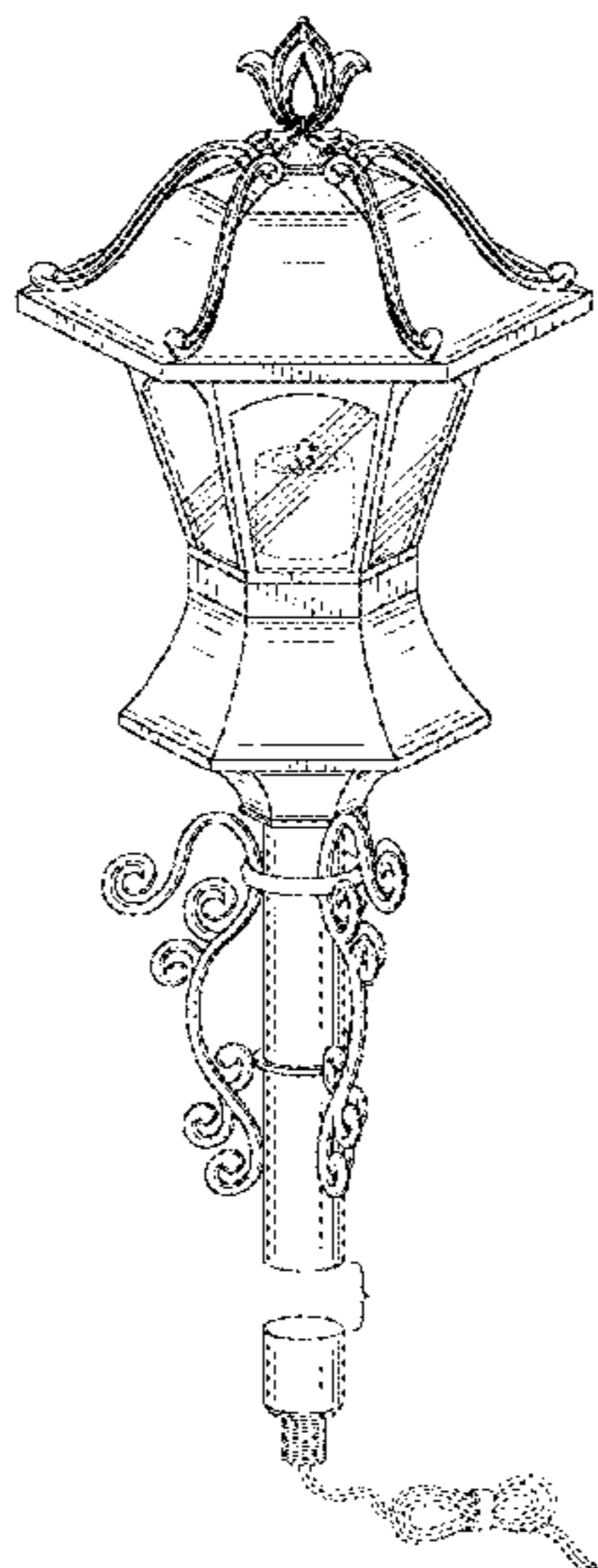
The broken away symbols in the drawings indicate the appearance of any portion of the article between the break lines forms no part of the claimed design; the broken lines depict portions of the landscape light that form no part of the claimed design.

(56) **References Cited**

U.S. PATENT DOCUMENTS

D51,044 S 7/1917 Mohrmann
D51,774 S 2/1918 Coppinger
D51,810 S 2/1918 Jones
D65,437 S 8/1924 Gosling
D68,755 S 11/1925 Abrams
D69,132 S 12/1925 Gosling
D70,751 S * 8/1926 Gosling D26/67
D73,930 S 11/1927 Lindsay
D76,549 S 10/1928 Paxson
D77,958 S * 3/1929 Helvey D26/67

1 Claim, 6 Drawing Sheets



(56)

References Cited

U.S. PATENT DOCUMENTS

2,066,631 A * 1/1937 Le Gorre F21S 8/086
 362/303
 D163,786 S 7/1951 Black
 D179,686 S 2/1957 Jacobsen et al.
 D208,663 S 9/1967 Daum
 D208,664 S 9/1967 Daum
 D211,394 S 6/1968 Bernstein
 D215,961 S * 11/1969 Daum D26/67
 D309,798 S * 8/1990 Koziol D26/110
 D343,243 S 1/1994 Ewing
 D388,899 S 1/1998 Hoffman
 D416,104 S 11/1999 Miranda
 D427,352 S 6/2000 Miranda
 D437,653 S * 2/2001 Hsu D26/72
 D473,674 S * 4/2003 Orozco D26/87
 D481,819 S 11/2003 Cheong
 D515,725 S 2/2006 Trivino
 D520,175 S 5/2006 Sheng
 D522,682 S 6/2006 Burke
 D541,969 S 5/2007 Bucher

D549,381 S 8/2007 Curtin
 D557,437 S 12/2007 Hsu
 D574,534 S 8/2008 Lastimosa
 D594,594 S 6/2009 Schmidt
 D617,490 S 6/2010 Hackett
 D629,551 S 12/2010 Jing
 D631,390 S 1/2011 Izardel
 D672,074 S 12/2012 Compton
 D728,841 S 5/2015 Kuhnke
 D777,363 S 1/2017 Galipeau et al.
 D782,098 S 3/2017 Orozco
 D824,070 S 7/2018 Harper
 D849,982 S * 5/2019 Harper D26/68
 2019/0049096 A1 * 2/2019 Harper F21V 21/108

OTHER PUBLICATIONS

Felur de Lis Finial by Finial Showcase; first available at amazon.com Apr. 7, 2008. (Year: 2008).
 Coachman LED Path and Area Light by Volt Lighting. Product Supplement Sheet (c) 2017. (Year: 2017).

* cited by examiner

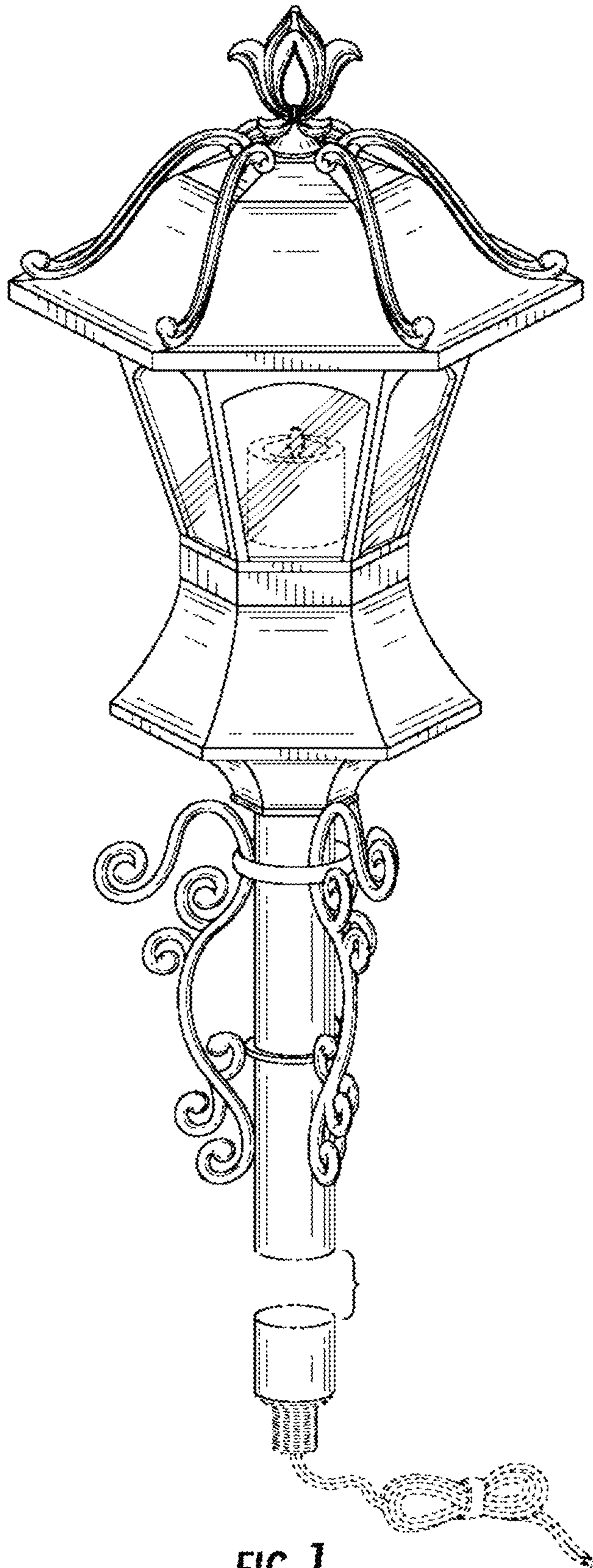


FIG. 1

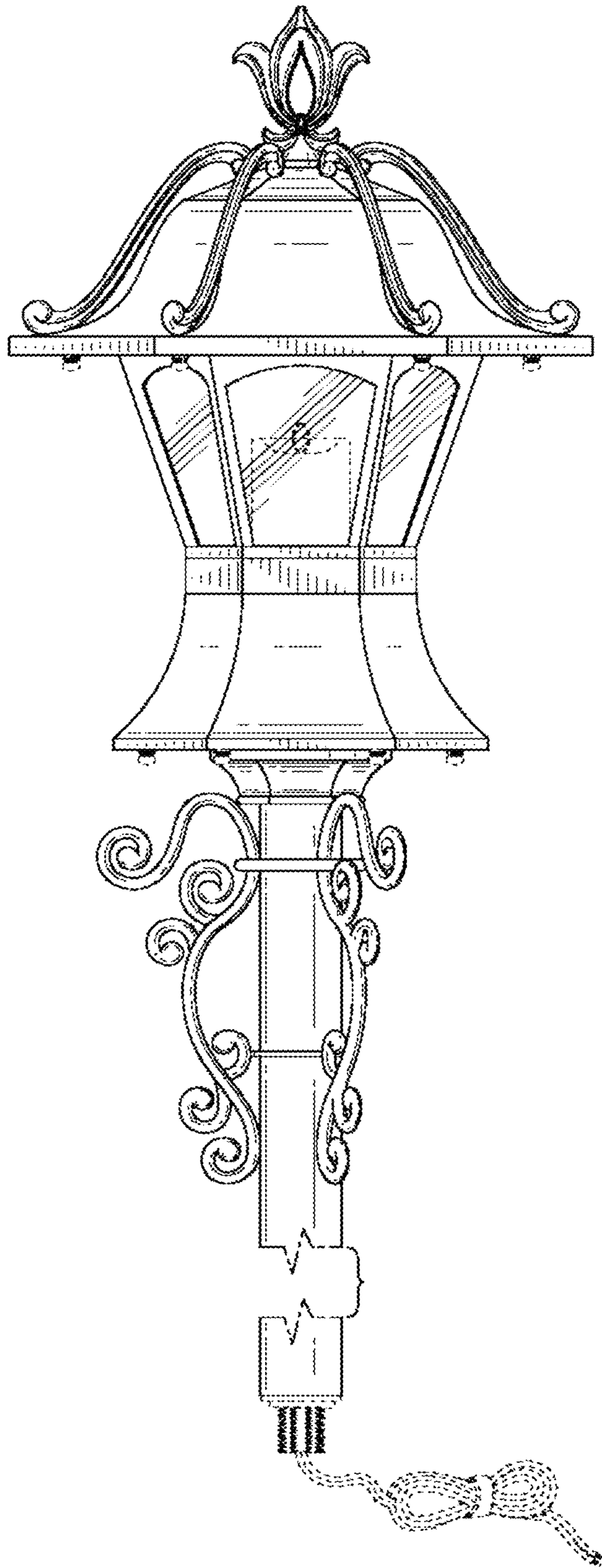


FIG. 2

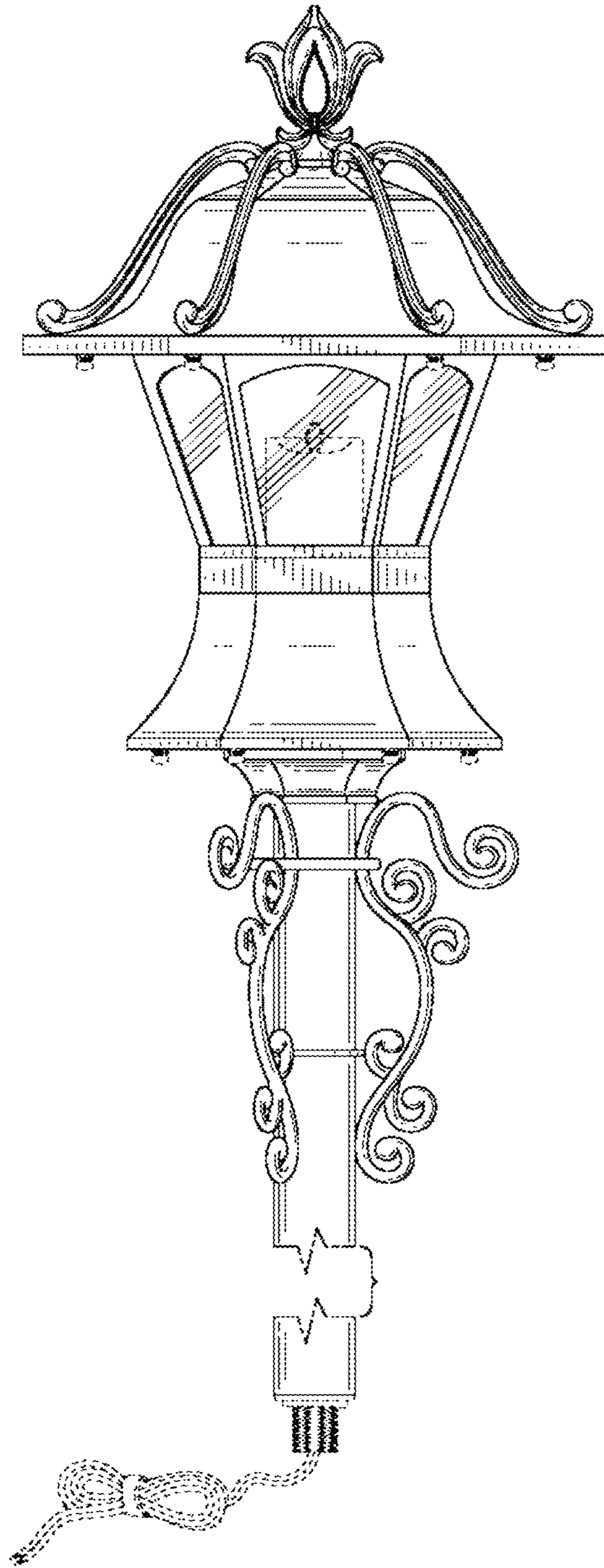


FIG. 3

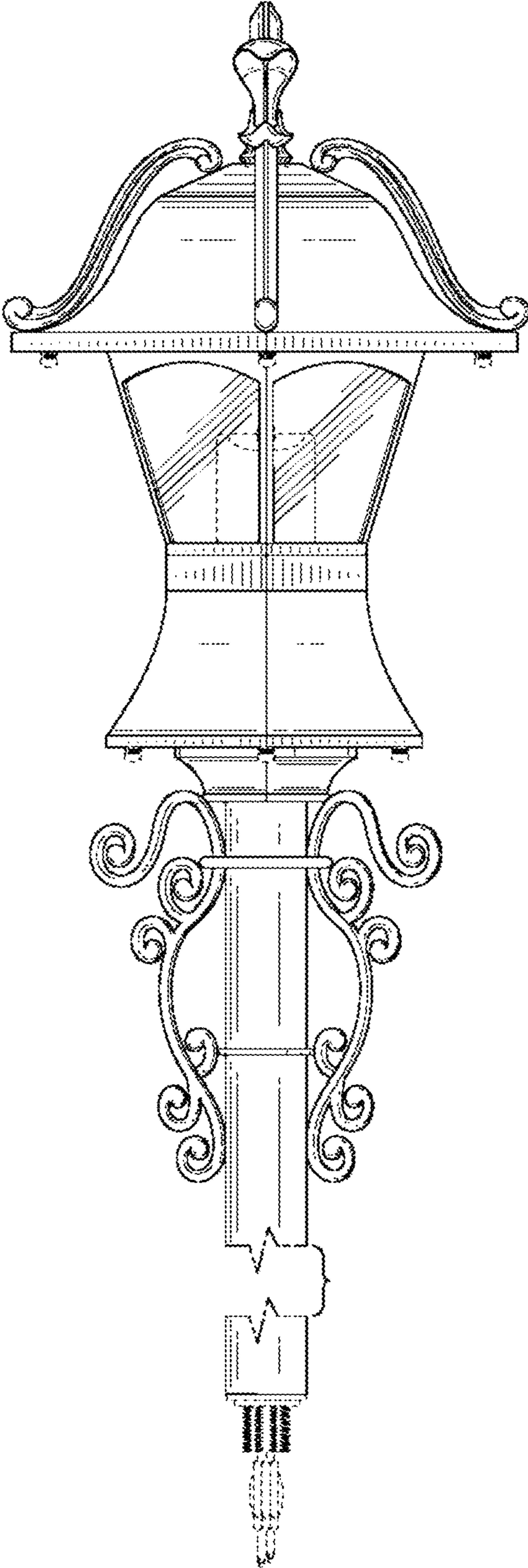


FIG. 4

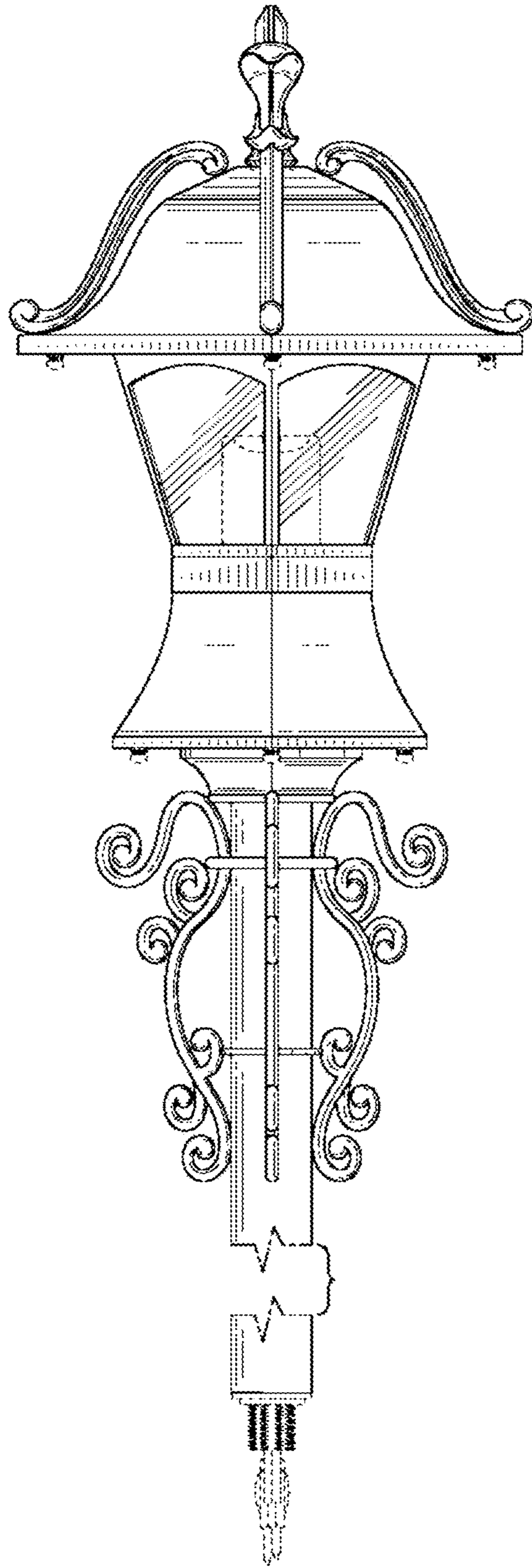


FIG. 5

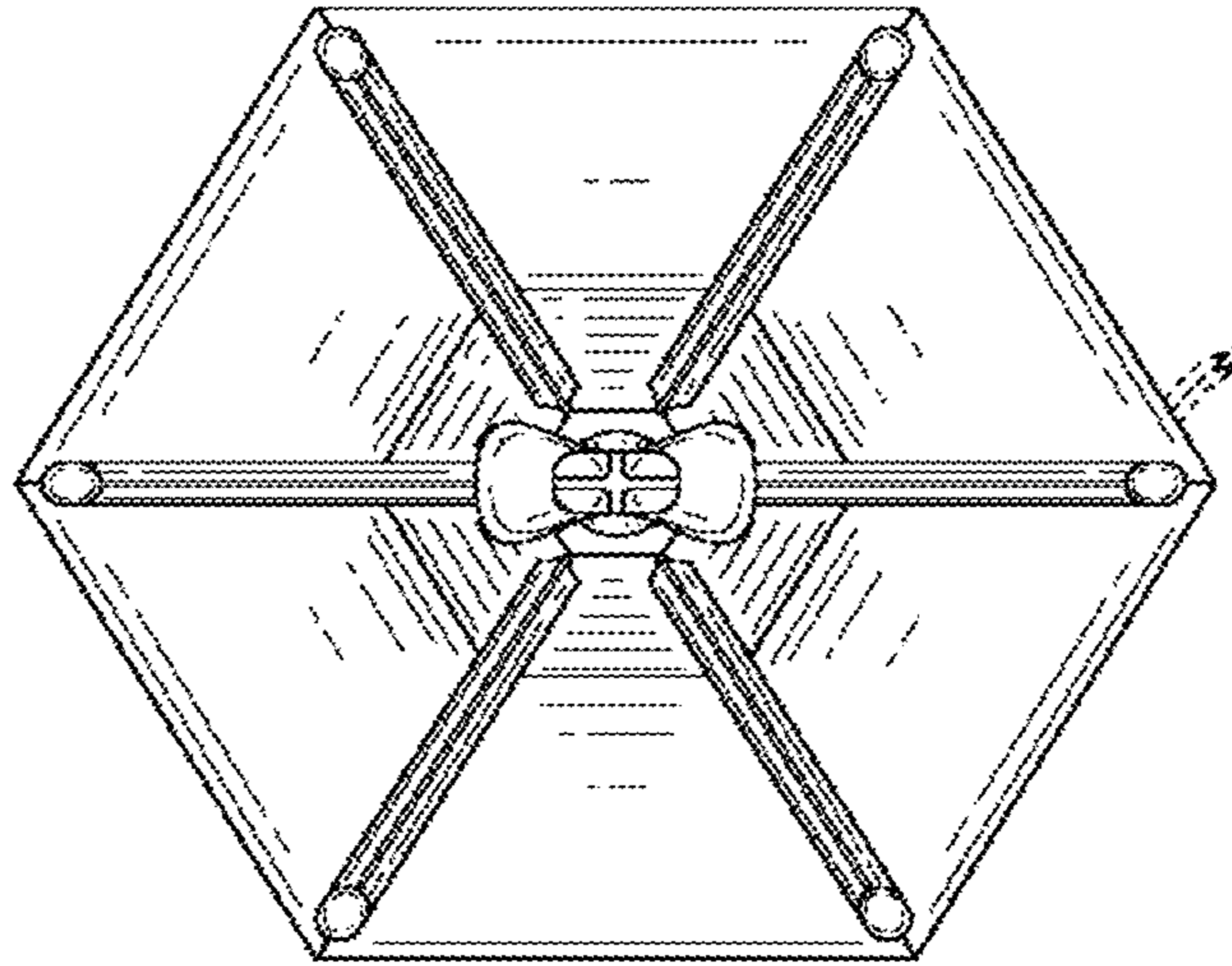


FIG. 6

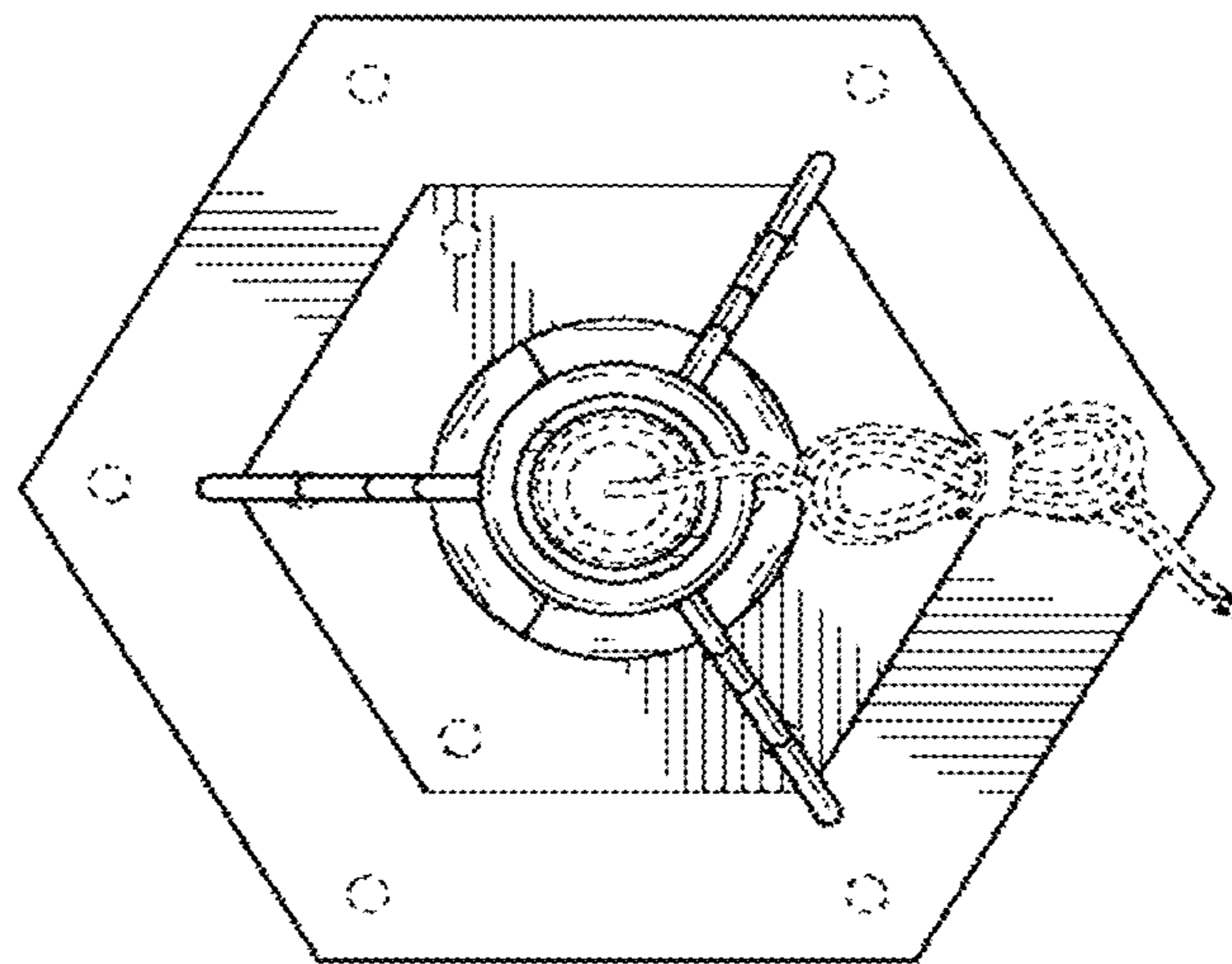


FIG. 7