



US00D923847S

(12) **United States Design Patent** (10) **Patent No.:** **US D923,847 S**  
**Ye** (45) **Date of Patent:** **\*\* Jun. 29, 2021**

(54) **LAWN LAMP**  
(71) Applicant: **Xiamen Ruiyi Electronic Technology Co., Ltd., Xiamen (CN)**  
(72) Inventor: **Haitao Ye, Xiamen (CN)**  
(73) Assignee: **Xiamen Ruiyi Electronic Technology Co., Ltd., Xiamen (CN)**

D555,278 S \* 11/2007 Sanoner ..... D26/68  
D834,515 S \* 11/2018 Zhang ..... D13/102  
D868,330 S 11/2019 Ji  
D869,041 S 12/2019 Yan  
D890,400 S \* 7/2020 Chen ..... D26/67  
D911,574 S \* 2/2021 Hui ..... D26/68  
2006/0044785 A1\* 3/2006 Lee ..... F21S 9/037  
362/96  
2006/0187656 A1\* 8/2006 Kuelbs ..... F21V 21/0824  
362/183

(\*\*) Term: **15 Years**  
(21) Appl. No.: **29/769,737**

(22) Filed: **Feb. 8, 2021**

(51) **LOC (13) Cl.** ..... **26-05**

(52) **U.S. Cl.**  
USPC ..... **D26/67**

(58) **Field of Classification Search**  
USPC ..... D26/63, 67-70, 85  
CPC .. F21S 8/022; F21S 8/032; F21S 8/036; F21S  
8/081; F21S 8/083; F21S 8/088; F21S  
9/02; F21S 9/037; F21S 10/046; F21V  
21/0824; F21W 2131/109; F21W  
2111/02; F21W 2111/023  
See application file for complete search history.

(56) **References Cited**

**U.S. PATENT DOCUMENTS**

D189,209 S \* 11/1960 Harling ..... D26/67  
D198,639 S \* 7/1964 Atkin et al. .... D26/67  
D444,253 S \* 6/2001 Blanchard ..... D26/67  
D468,471 S \* 1/2003 Chen ..... D26/67  
D483,509 S \* 12/2003 Osiecki ..... D26/67  
D517,717 S \* 3/2006 Sanoner ..... D26/68  
7,041,899 B2\* 5/2006 Stekelenburg ..... H01R 25/00  
174/50

**OTHER PUBLICATIONS**

Water Hose Guides with Solar Lanterns—Set of 3 Item #38457 available at collectionsetc.com as early as May 5, 2018. (Year: 2018).\*

\* cited by examiner

*Primary Examiner* — Clare E Hefflin

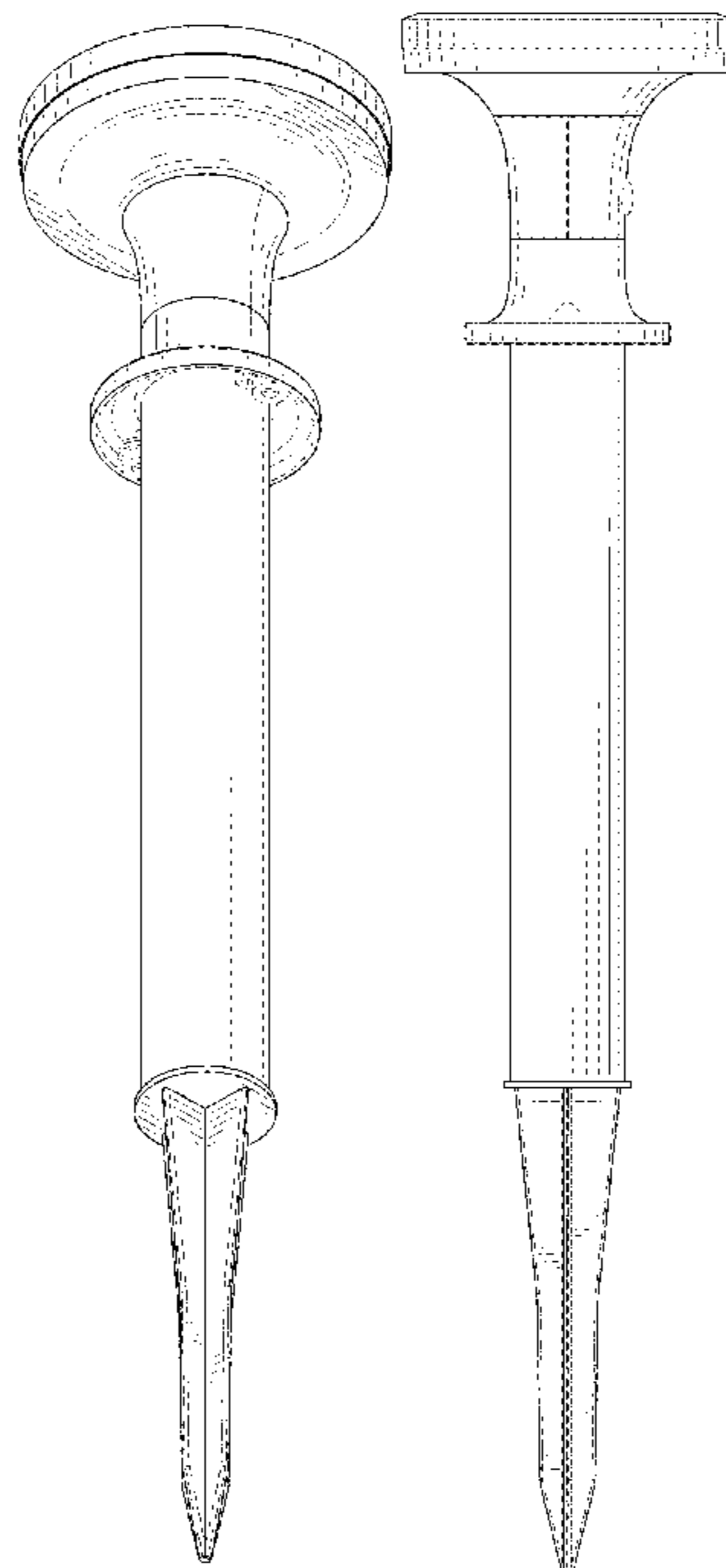
(57) **CLAIM**

The ornamental design for a lawn lamp, as shown and described.

**DESCRIPTION**

FIG. 1 is a perspective view of a lawn lamp showing my new design;  
FIG. 2 is another perspective view thereof;  
FIG. 3 is a front elevational view thereof;  
FIG. 4 is a rear elevational view thereof;  
FIG. 5 is a left side elevational view thereof;  
FIG. 6 is a right side elevational view thereof;  
FIG. 7 is a top plan view thereof; and,  
FIG. 8 is a bottom plan view thereof.  
The broken lines in the drawings are for the purpose of illustrating portions of the lawn lamp that form no part of the claimed design.

**1 Claim, 8 Drawing Sheets**



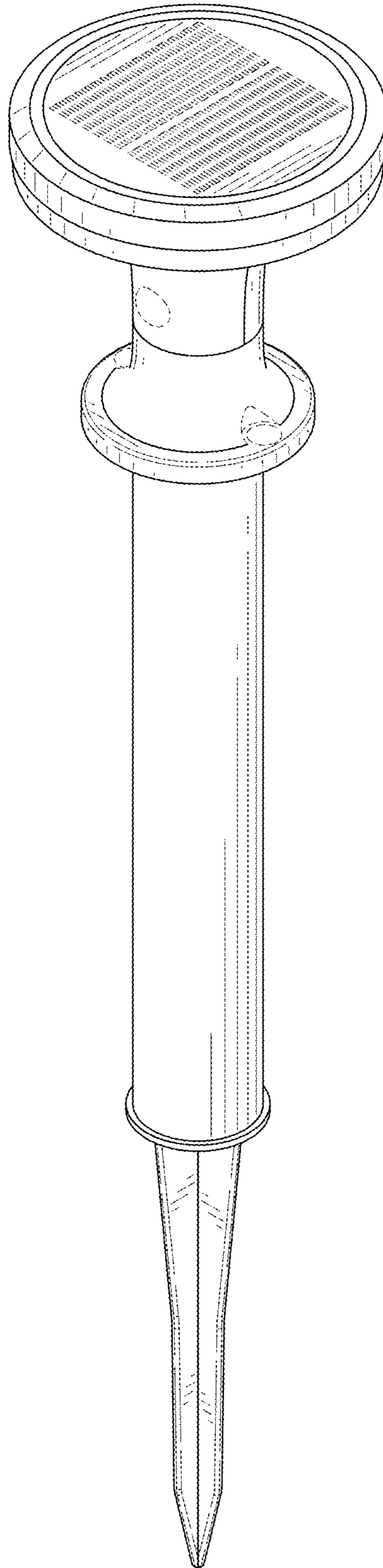


FIG. 1

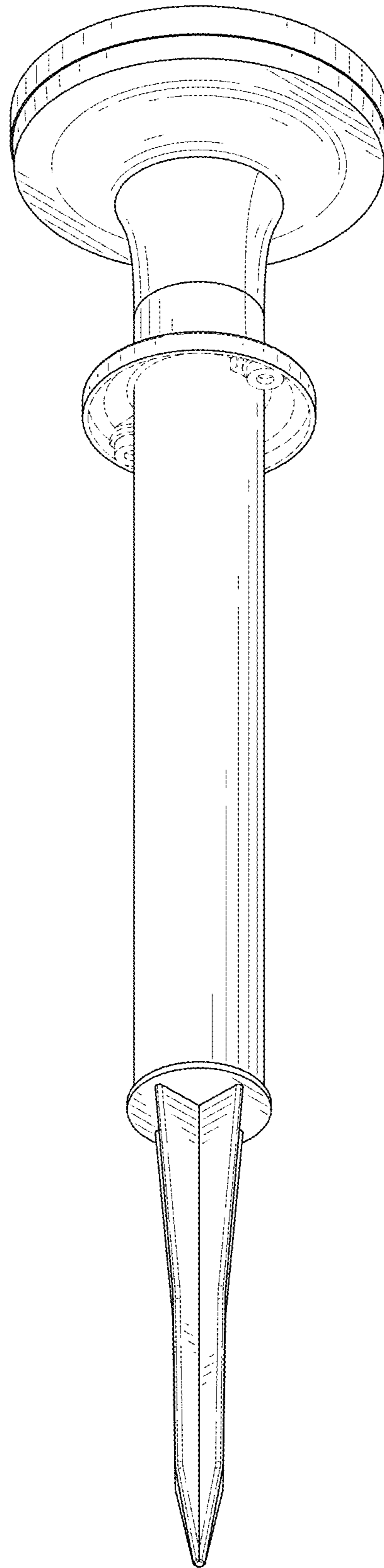


FIG. 2

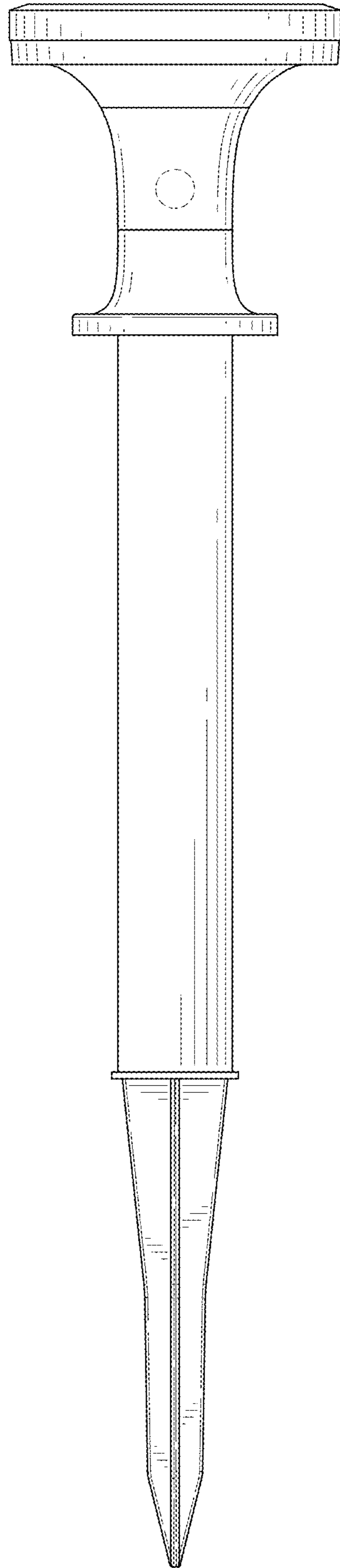


FIG. 3

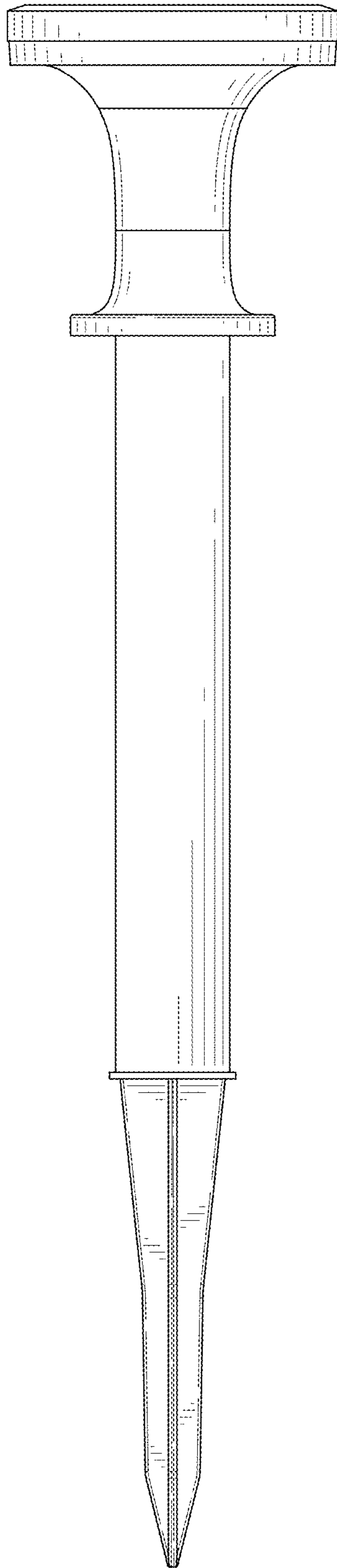


FIG. 4

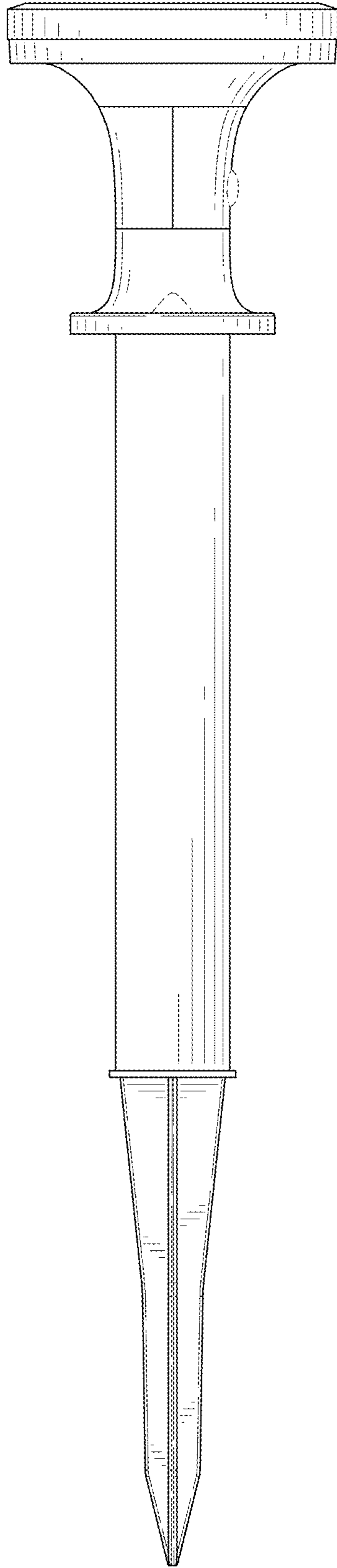


FIG. 5

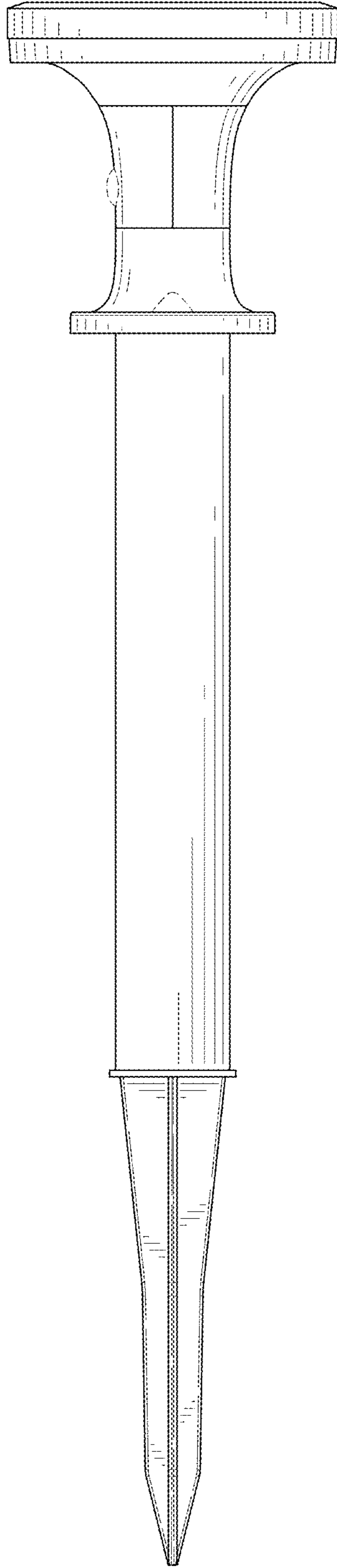


FIG. 6

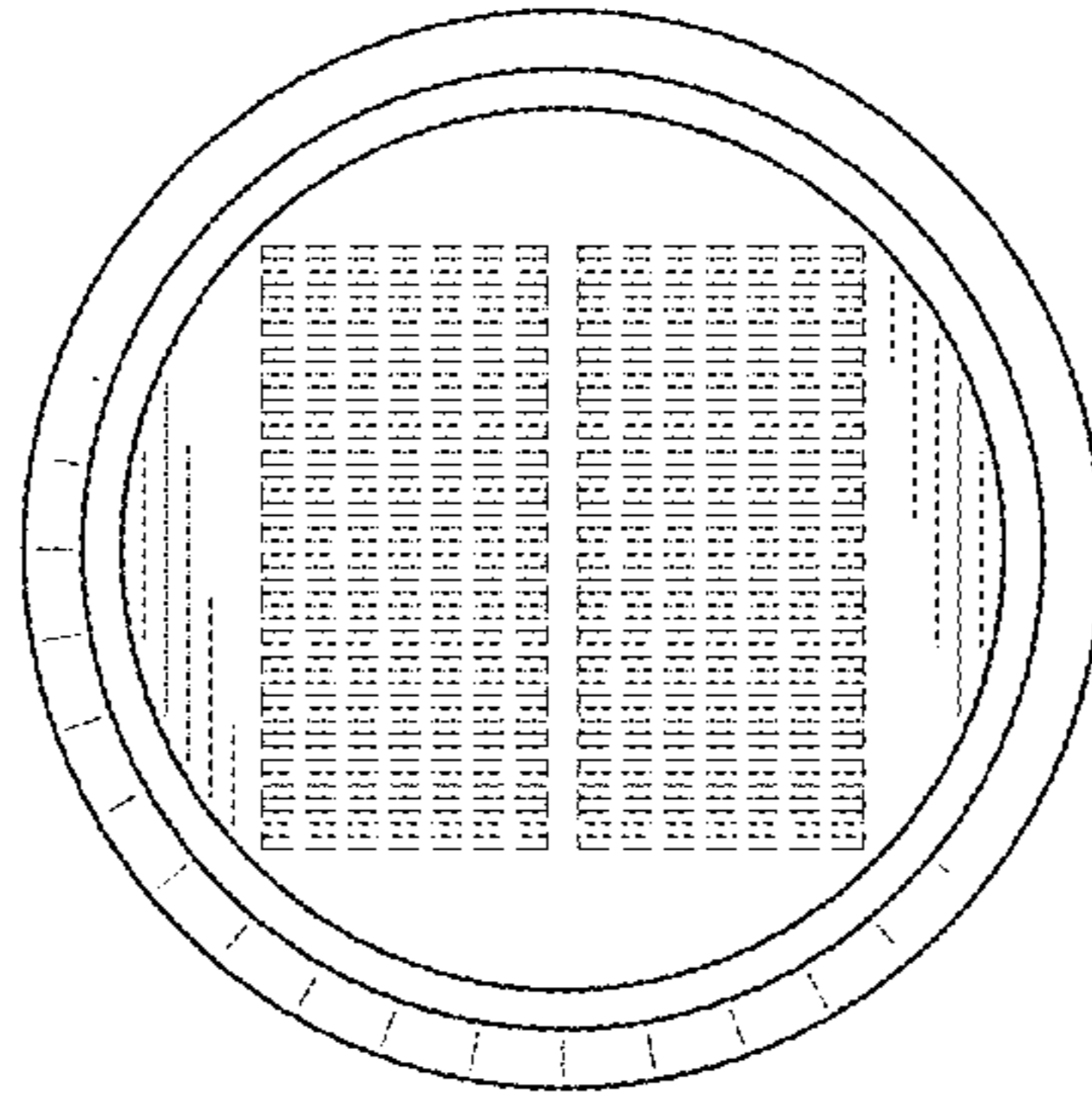


FIG. 7



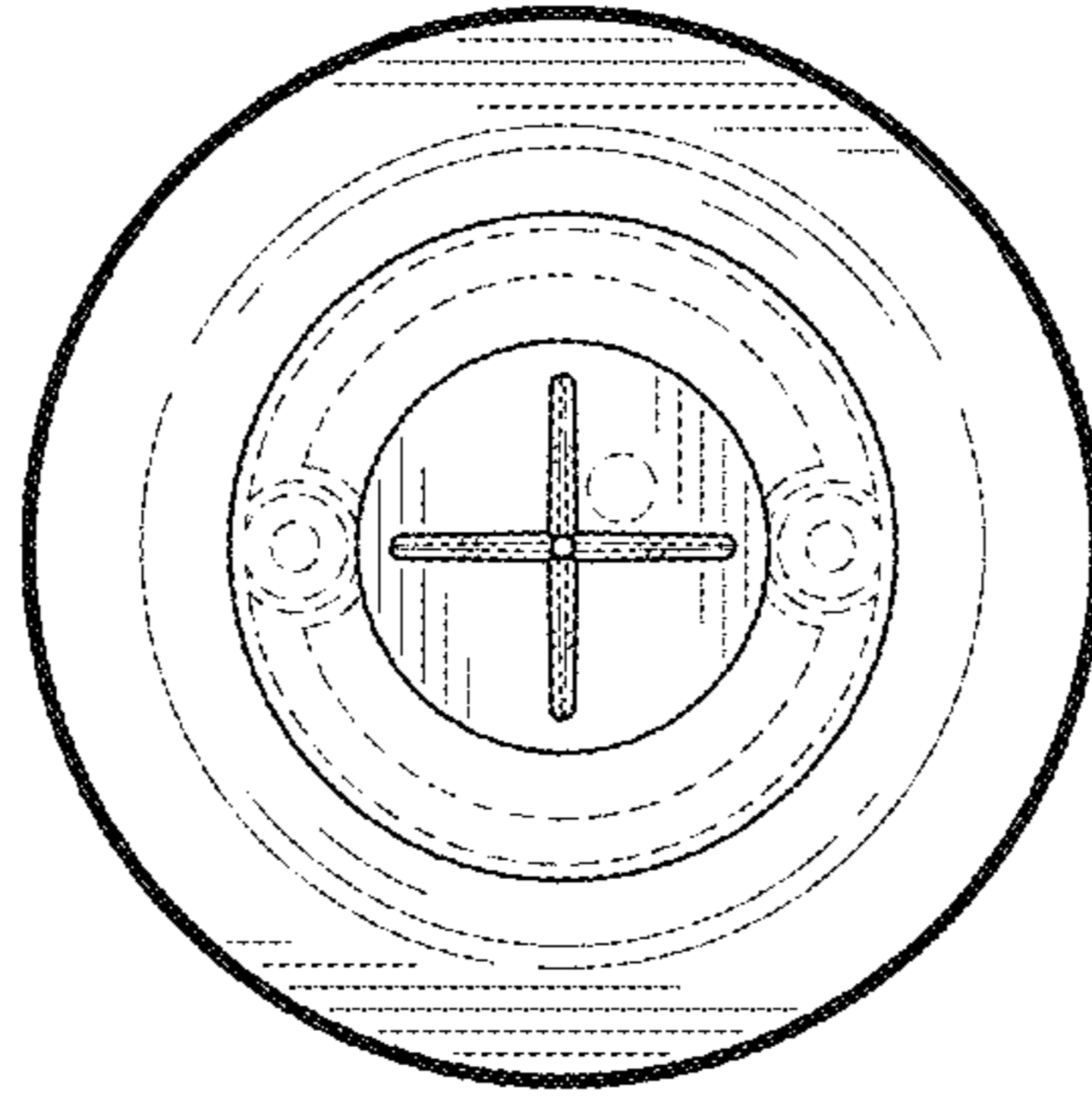


FIG. 8