



US00D923846S

(12) **United States Design Patent**
Peng

(10) **Patent No.:** **US D923,846 S**

(45) **Date of Patent:** **** Jun. 29, 2021**

(54) **SOLAR POST LIGHT**

(71) Applicant: **Jianzi Peng**, Shenzhen (CN)

(72) Inventor: **Jianzi Peng**, Shenzhen (CN)

(**) Term: **15 Years**

(21) Appl. No.: **29/751,685**

(22) Filed: **Sep. 23, 2020**

(51) **LOC (13) Cl.** **26-05**

(52) **U.S. Cl.**
USPC **D26/67**

(58) **Field of Classification Search**
USPC D26/67-70, 85, 72, 92; D10/106.6,
D10/106.8

CPC F21S 8/03; F21S 8/033; F21S 8/036; F21S
8/037; F21S 9/022; F21S 9/024; F21S
9/03; F21S 9/035; F21S 9/037; F21W
2131/107; G08B 13/193

See application file for complete search history.

(56) **References Cited**

U.S. PATENT DOCUMENTS

2,735,285	A *	2/1956	Ferleger	F21L 19/00 431/288
D374,499	S *	10/1996	McDowell	D26/85
D438,661	S *	3/2001	Hidalgo	D26/72
D457,979	S *	5/2002	Chen	D26/72
7,914,182	B2 *	3/2011	Mrakovich	F21V 29/60 362/373
D666,758	S *	9/2012	Ho	D26/67
8,382,347	B2 *	2/2013	McCanless	F21V 31/04 362/431
D693,953	S *	11/2013	Yang	D26/85
D713,587	S *	9/2014	Clark	D26/85
D722,719	S *	2/2015	Pyle	D26/85

D785,223	S	4/2017	Patton	
9,915,408	B2 *	3/2018	Kao F21S 9/037
D821,020	S	6/2018	Gambrel et al.	
2002/0148183	A1 *	10/2002	Grant F21S 8/081 52/300
2008/0232094	A1 *	9/2008	Ramsdell F21S 8/088 362/153

OTHER PUBLICATIONS

KMC Lighting Solar Fence Post Light, Solar Deck Light, ASIN: B07XXMCW4H, available at amazon.com Jul. 2, 2019. (Year: 2019).*

Baiston Solar Post Cap Lights, ASIN: B08LRZ4XYC, available at amazon.com Oct. 24, 2020. (Year: 2020).*

* cited by examiner

Primary Examiner — Clare E Heflin

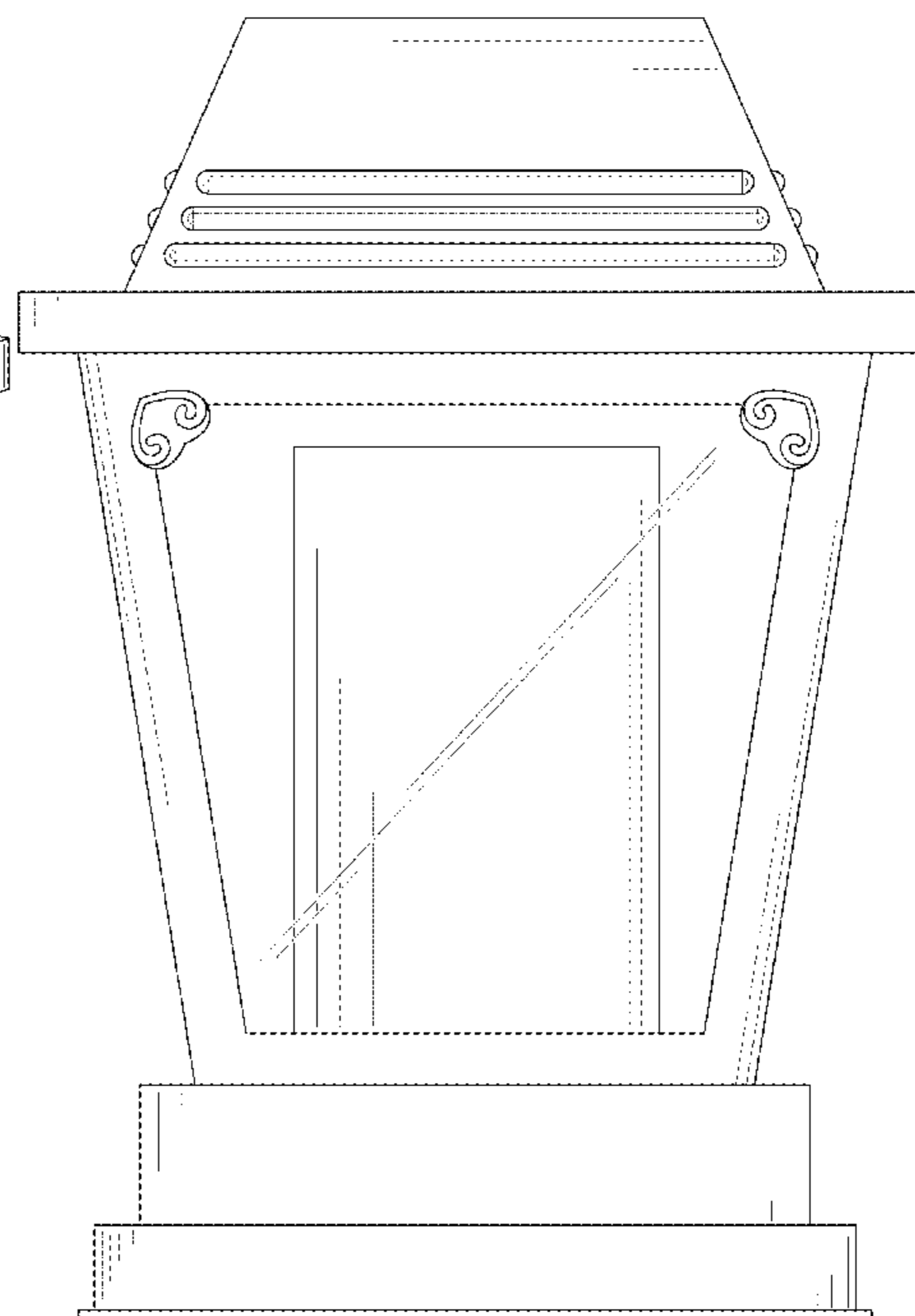
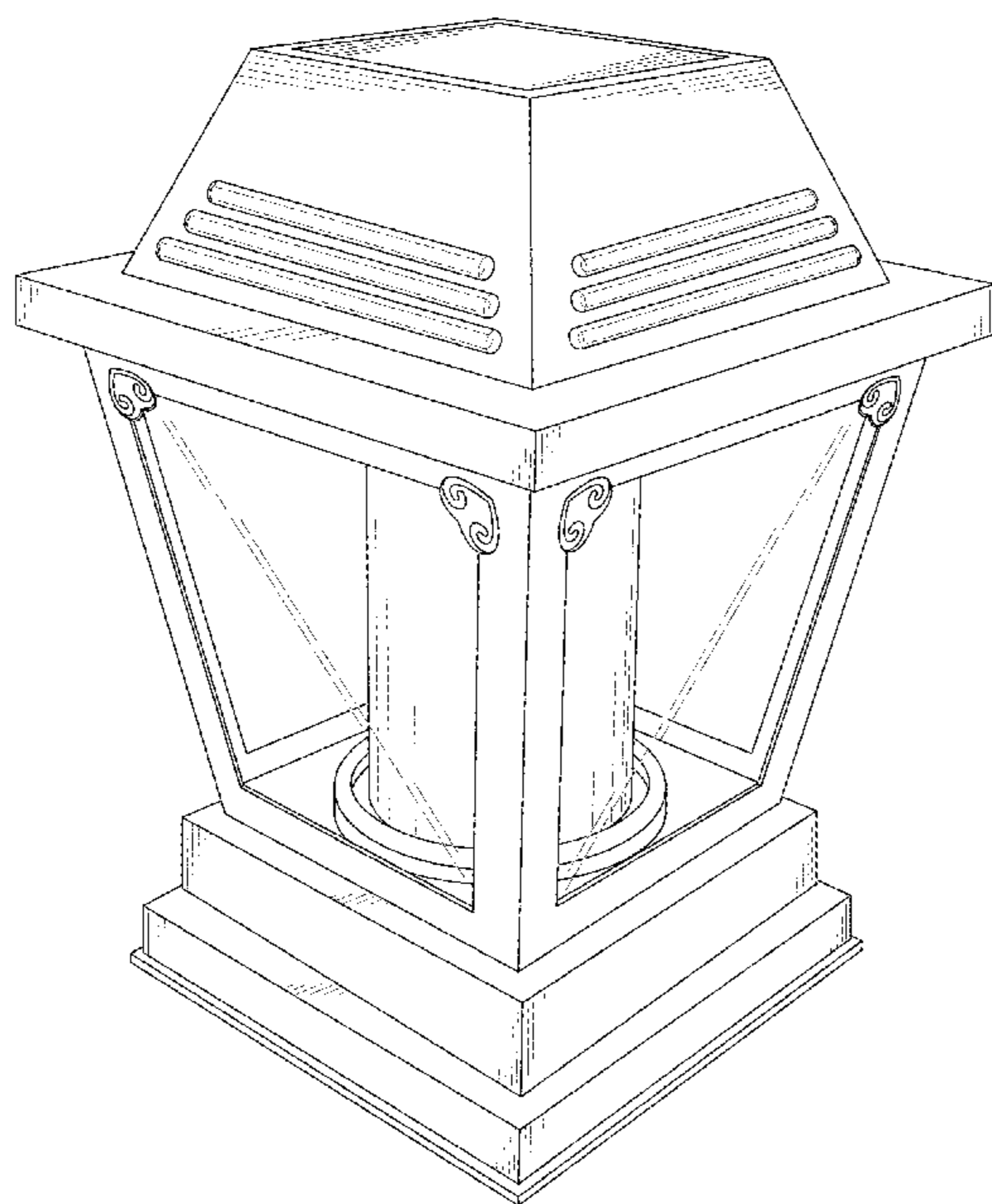
(57) **CLAIM**

The ornamental design for a solar post light, as shown and described.

DESCRIPTION

FIG. 1 is a perspective view of a solar post light showing my new design;
FIG. 2 is a front view thereof;
FIG. 3 is a rear view thereof;
FIG. 4 is a left side view thereof;
FIG. 5 is a right side view thereof;
FIG. 6 is a top plan view thereof; and,
FIG. 7 is a bottom plan view thereof.
The broken lines in the figures illustrate portions of the solar post light that form no part of the claimed design.

1 Claim, 7 Drawing Sheets



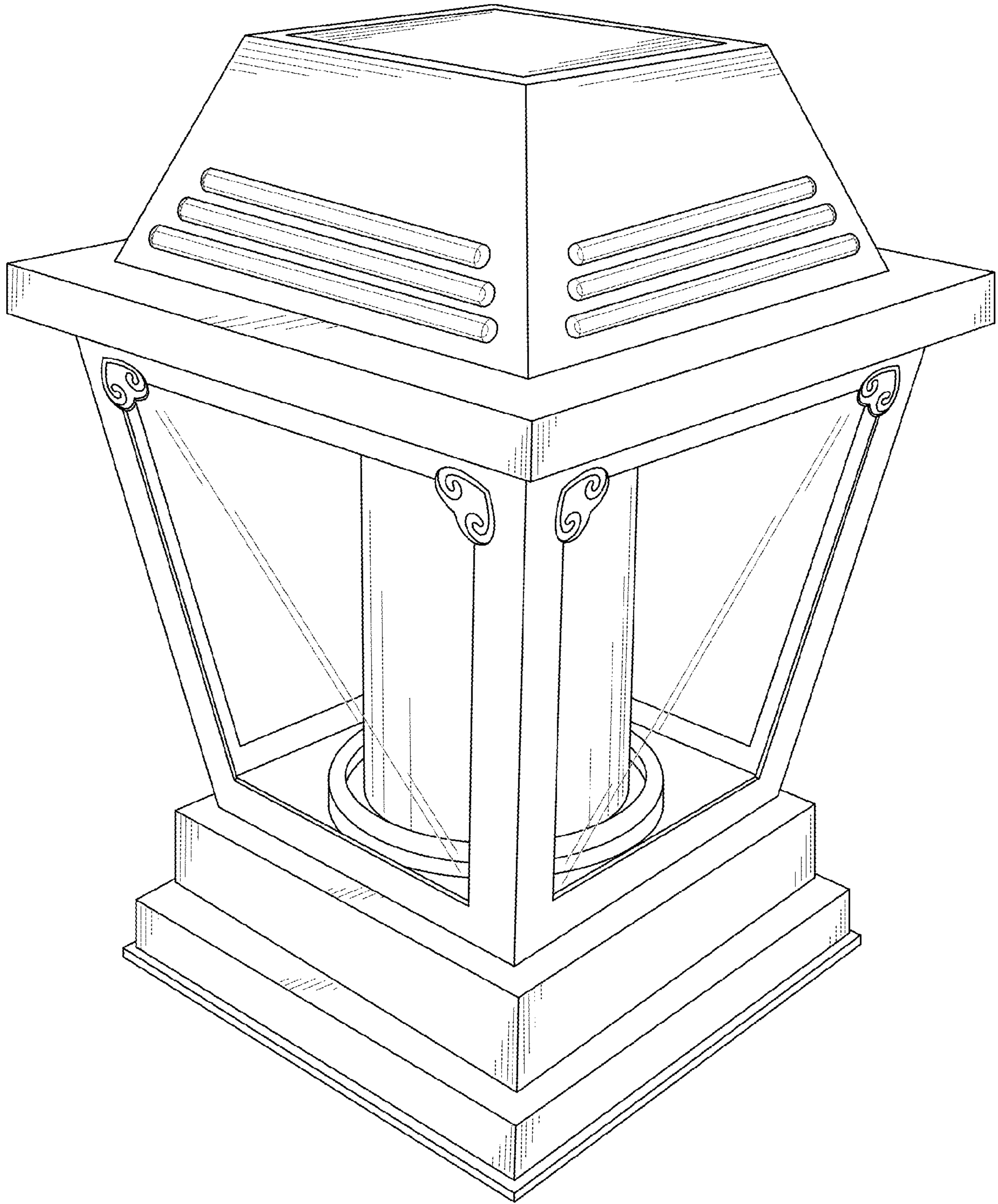


FIG. 1

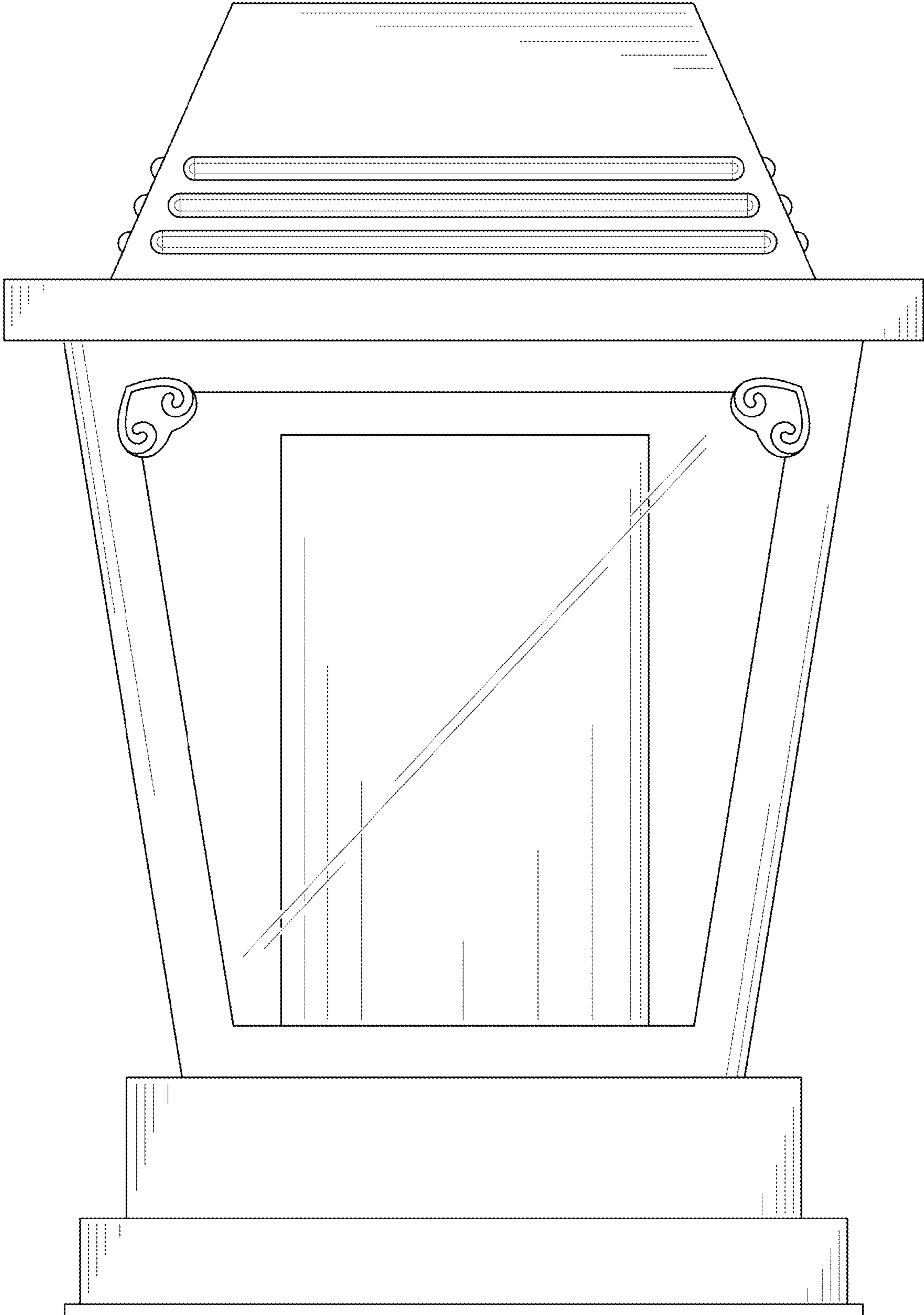


FIG. 2

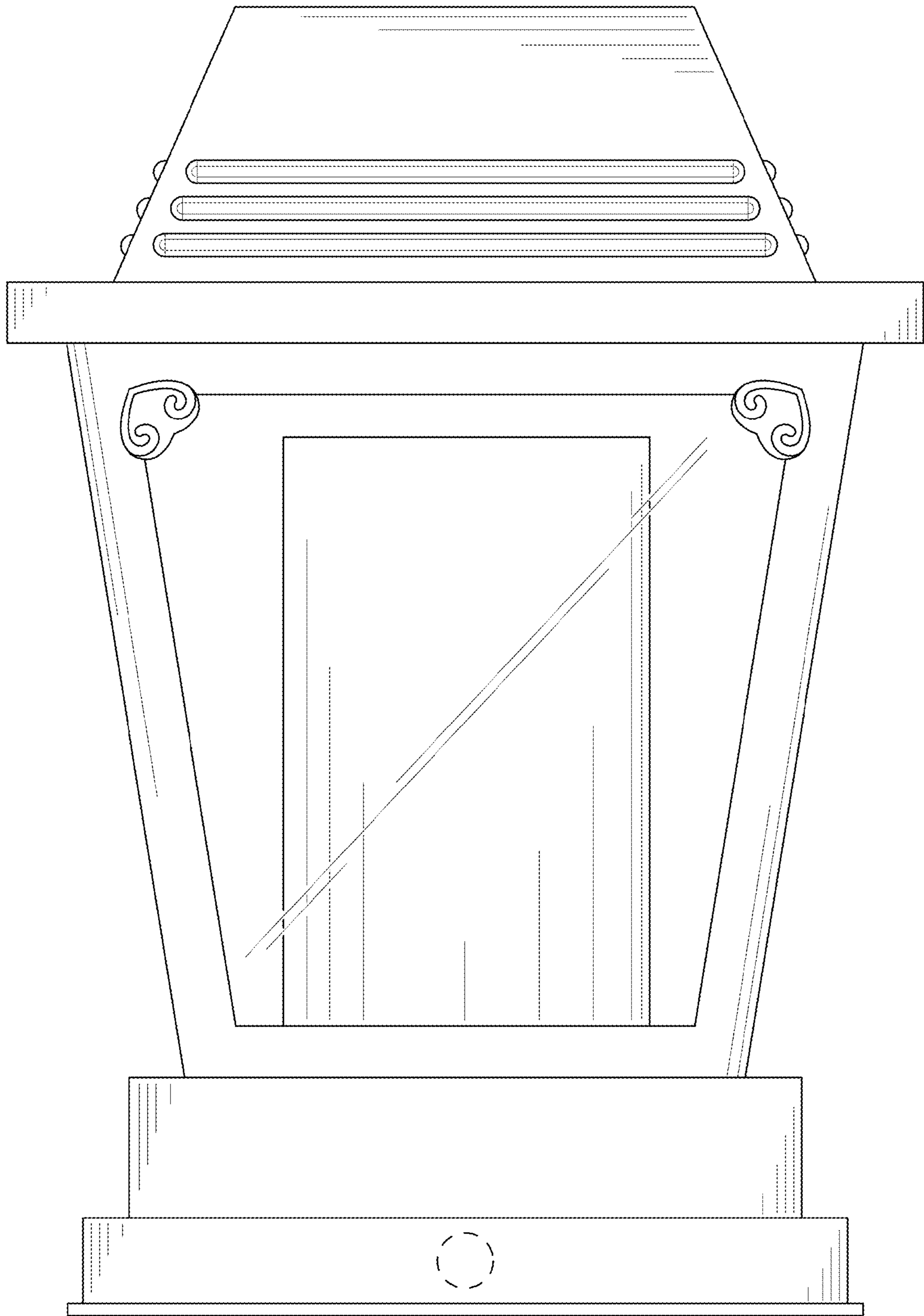


FIG. 3

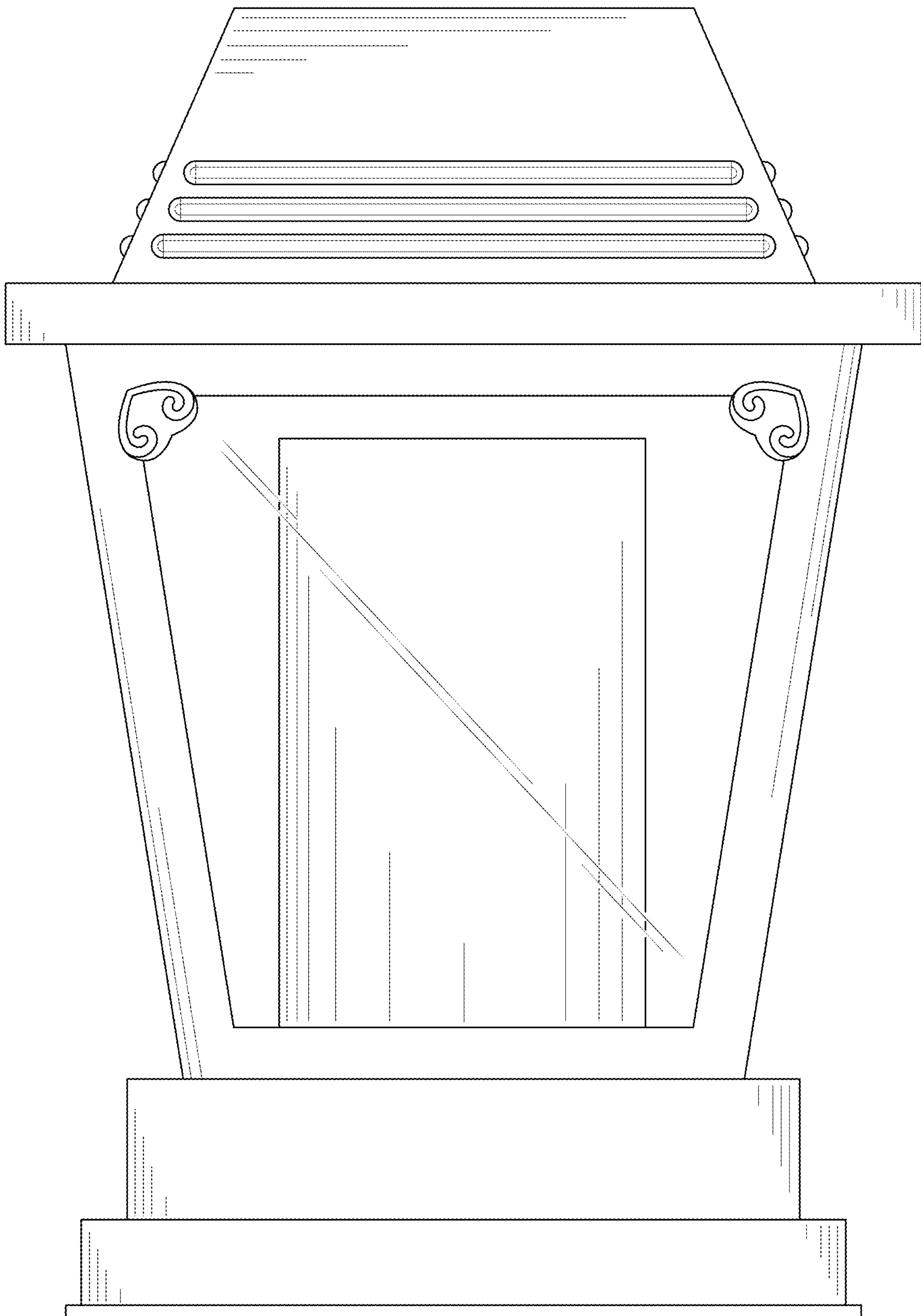


FIG. 4

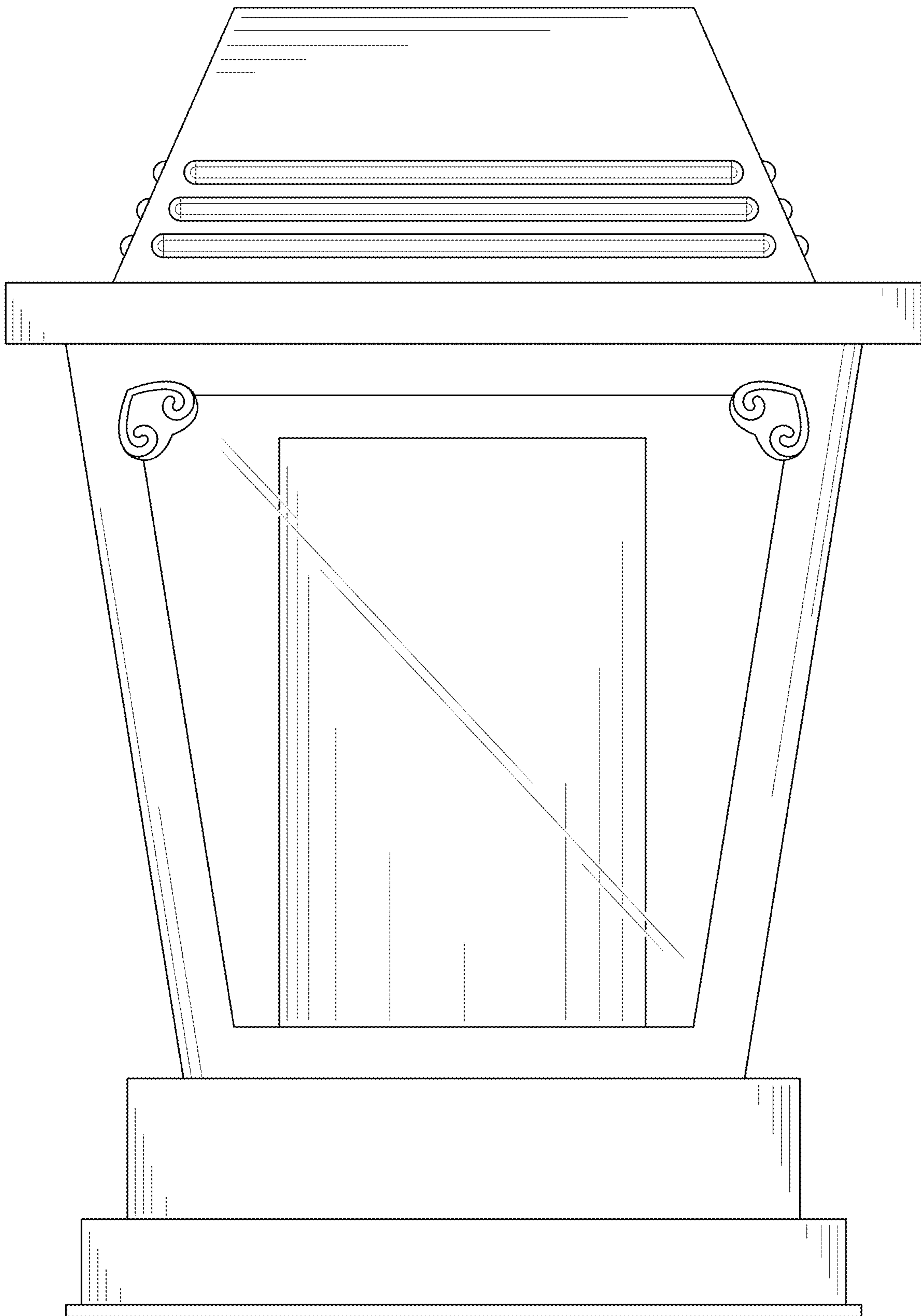


FIG. 5

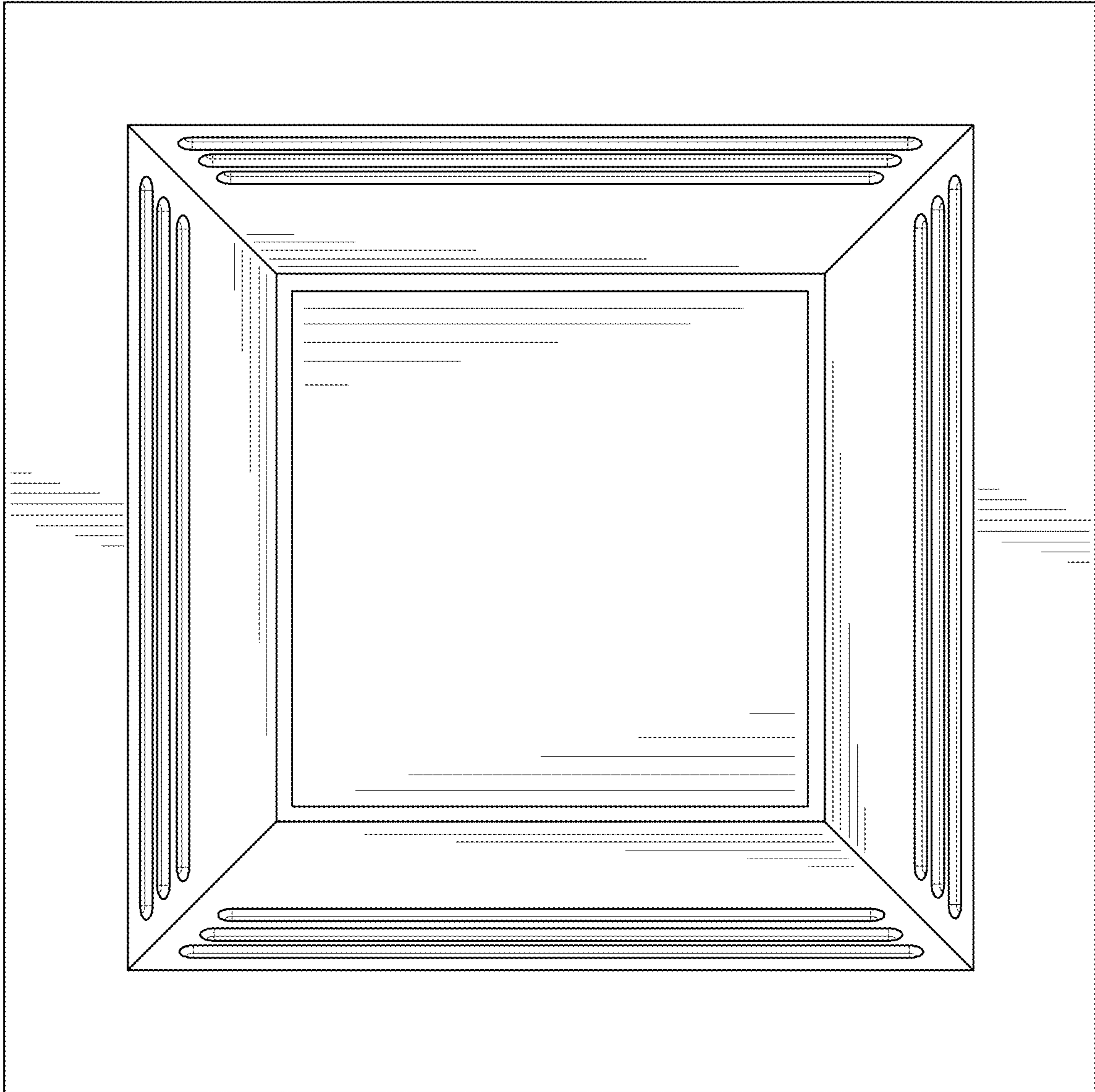


FIG. 6

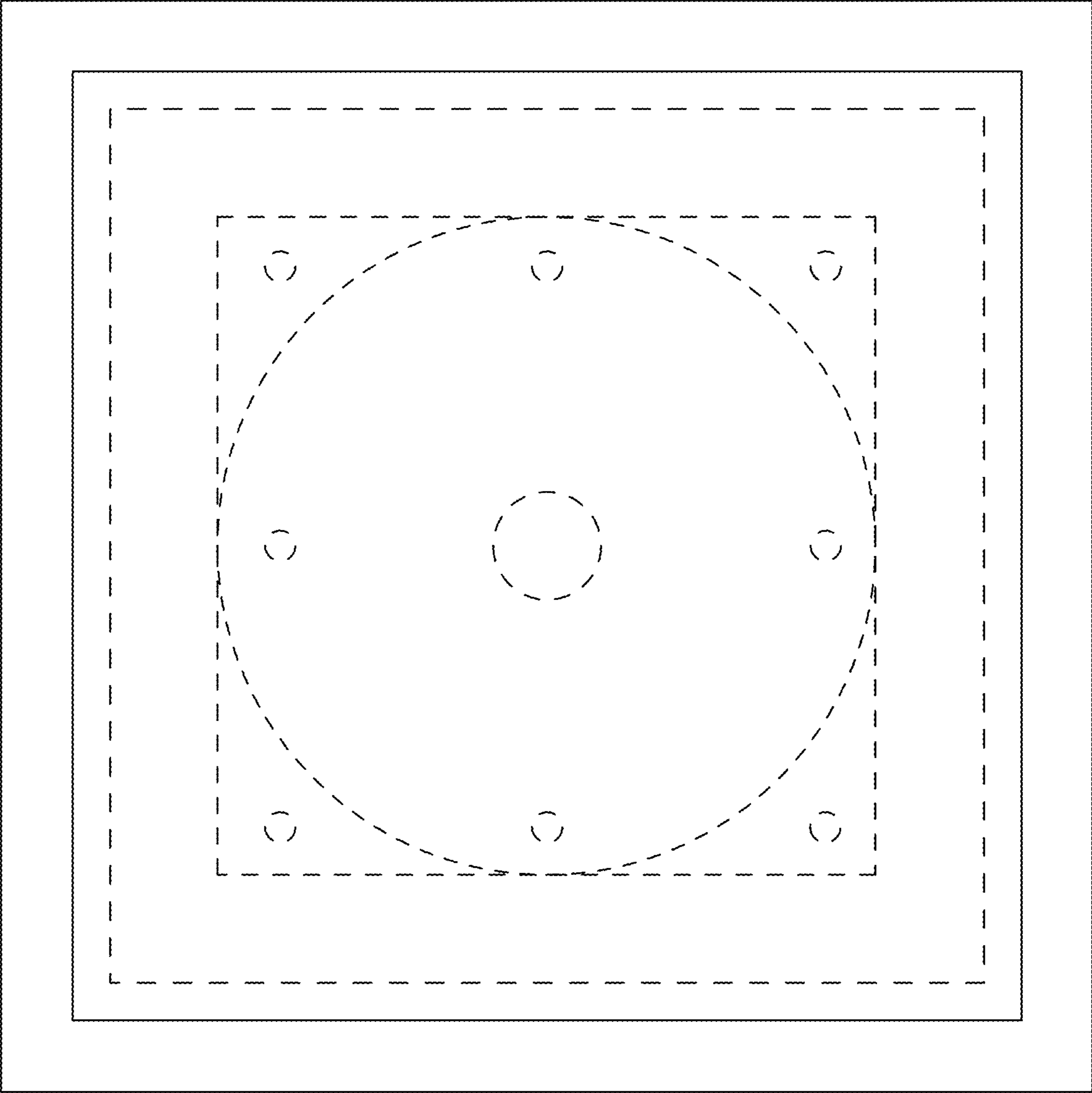


FIG. 7