



US00D923845S

(12) **United States Design Patent** (10) **Patent No.:** **US D923,845 S**
Kong (45) **Date of Patent:** **** Jun. 29, 2021**

(54) **SOLAR LIGHT**

(71) Applicant: **Lingguo Kong**, Zhongshan (CN)

(72) Inventor: **Lingguo Kong**, Zhongshan (CN)

(73) Assignee: **Zhongshan Xiaolan Town Yaoshuoli Lighting Factory**, Zhongshan (CN)

(**) Term: **15 Years**

(21) Appl. No.: **29/706,241**

(22) Filed: **Sep. 19, 2019**

(51) **LOC (13) Cl.** **26-05**

(52) **U.S. Cl.**
USPC **D26/63; D26/67**

(58) **Field of Classification Search**
USPC D26/63, 67-70, 85
CPC .. F21S 8/081; F21S 8/083; F21S 8/088; F21S 9/03; F21S 9/035; F21S 9/037; F21V 21/0824; F21W 2111/02; F21W 2111/023; F21W 2131/109; G09F 13/0404; G09F 2013/0431

See application file for complete search history.

(56) **References Cited**

U.S. PATENT DOCUMENTS

D233,779 S * 11/1974 Kennedy et al. D26/63
D420,458 S * 2/2000 Guercio D26/24
D547,478 S * 7/2007 Guercio D26/63
D838,025 S * 1/2019 Yu D26/63
D852,398 S * 6/2019 Liu D26/63
D875,289 S * 2/2020 Hu D26/63

D885,632 S * 5/2020 Chen D26/67
D887,058 S * 6/2020 Liu D26/63
D887,059 S * 6/2020 Liu D26/63
2018/0283657 A1* 10/2018 Xiong F21V 21/0824

OTHER PUBLICATIONS

Claoner 32 LED Solar Landscape Spotlight available at amazon.com Sep. 25, 2019. (Year: 2019).*

LITOM 12 LEDs Solar Landscape Spotlight available at amazon.com as early as Feb. 3, 2019. (Year: 2019).*

* cited by examiner

Primary Examiner — Clare E Heflin

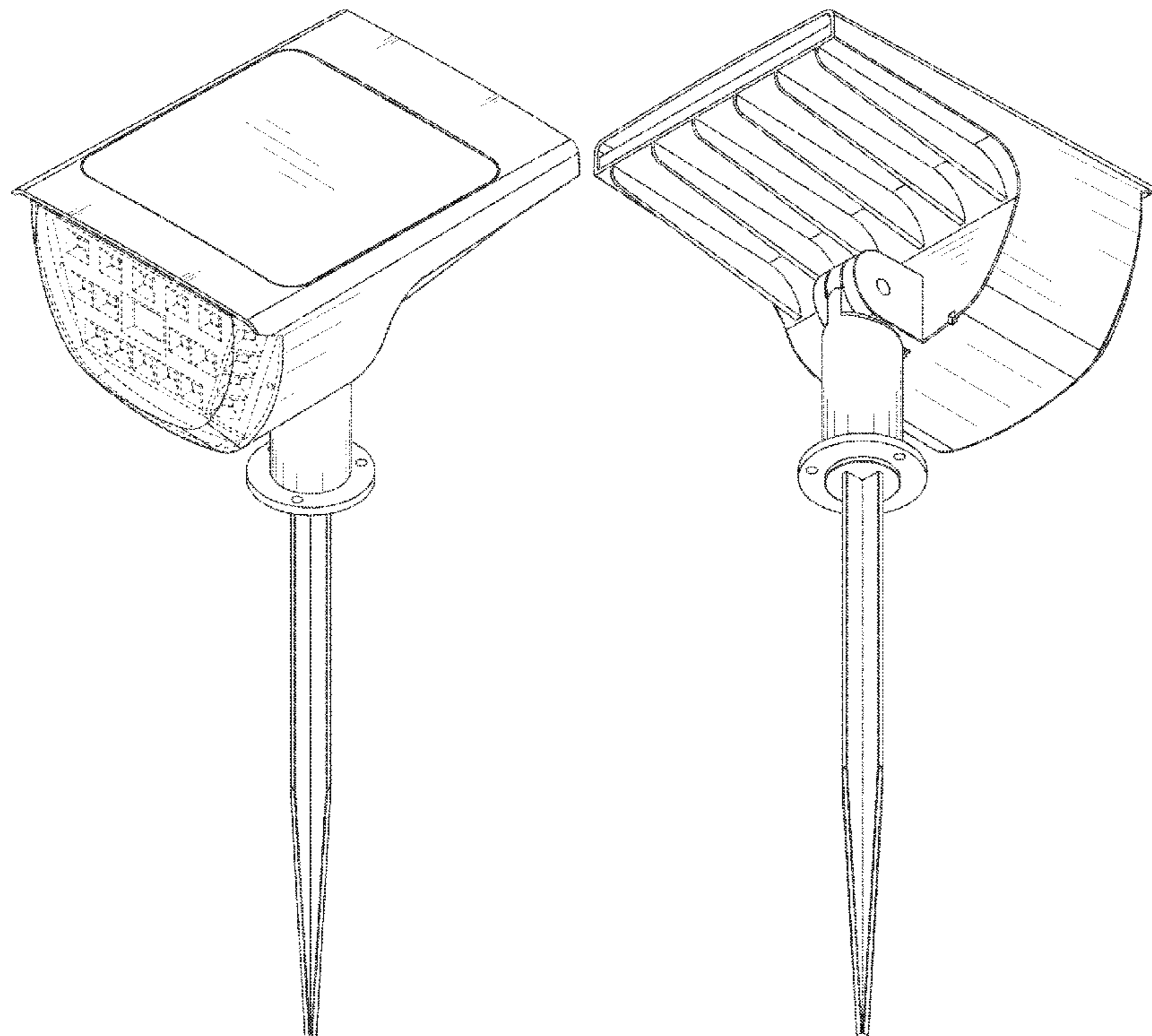
(57) **CLAIM**

The ornamental design for a solar light, as shown and described.

DESCRIPTION

FIG. 1 is a front, top perspective view of the solar light showing my new design;
FIG. 2 is a rear, bottom perspective view thereof;
FIG. 3 is a front elevational view thereof;
FIG. 4 is a rear elevational view thereof;
FIG. 5 is a left side elevational view thereof;
FIG. 6 is a right side elevational view thereof;
FIG. 7 is a top plan view thereof; and,
FIG. 8 is a bottom plan view thereof.
The broken lines in the figures depict the portions of the article that form no part of the claimed design.

1 Claim, 7 Drawing Sheets



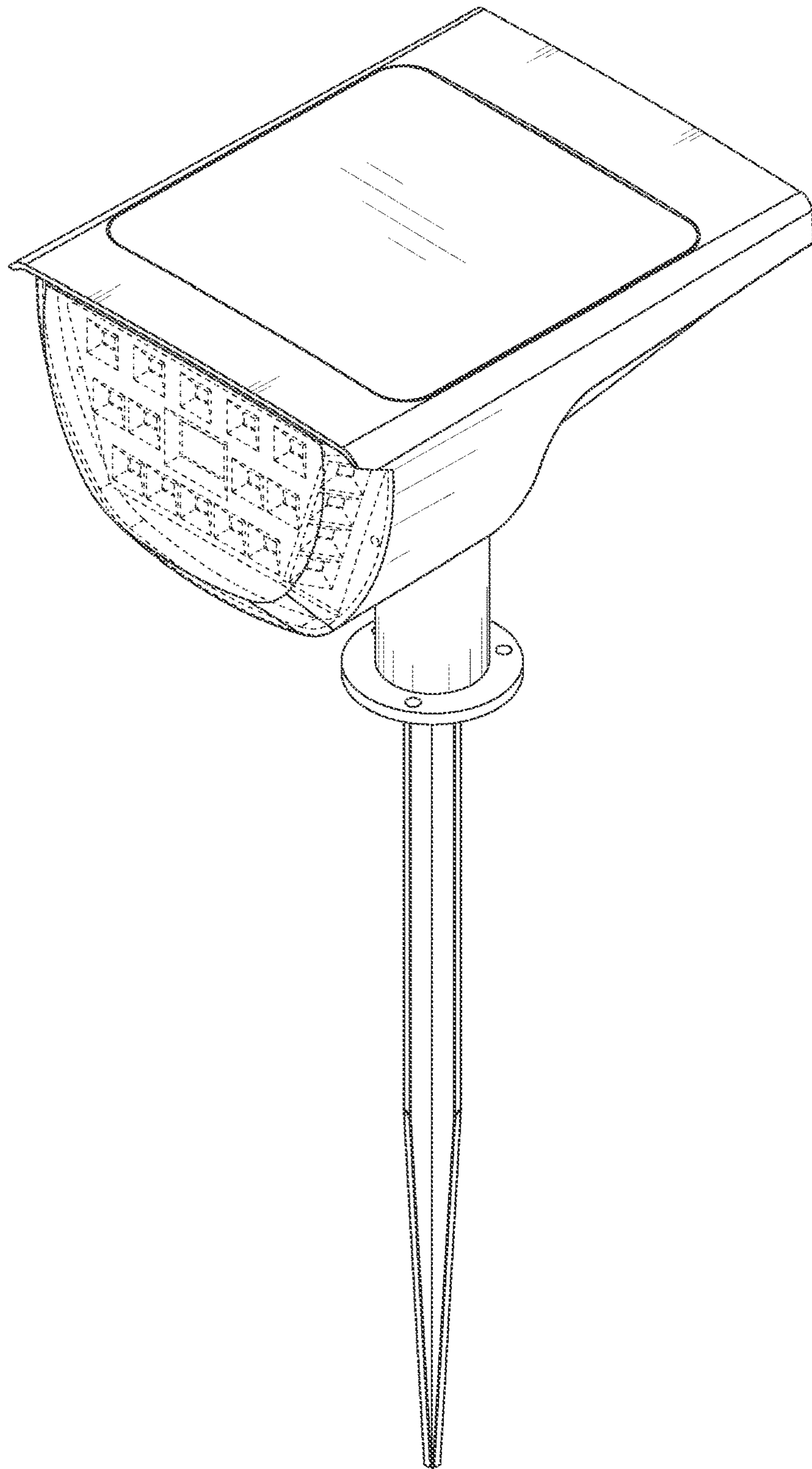


FIG. 1

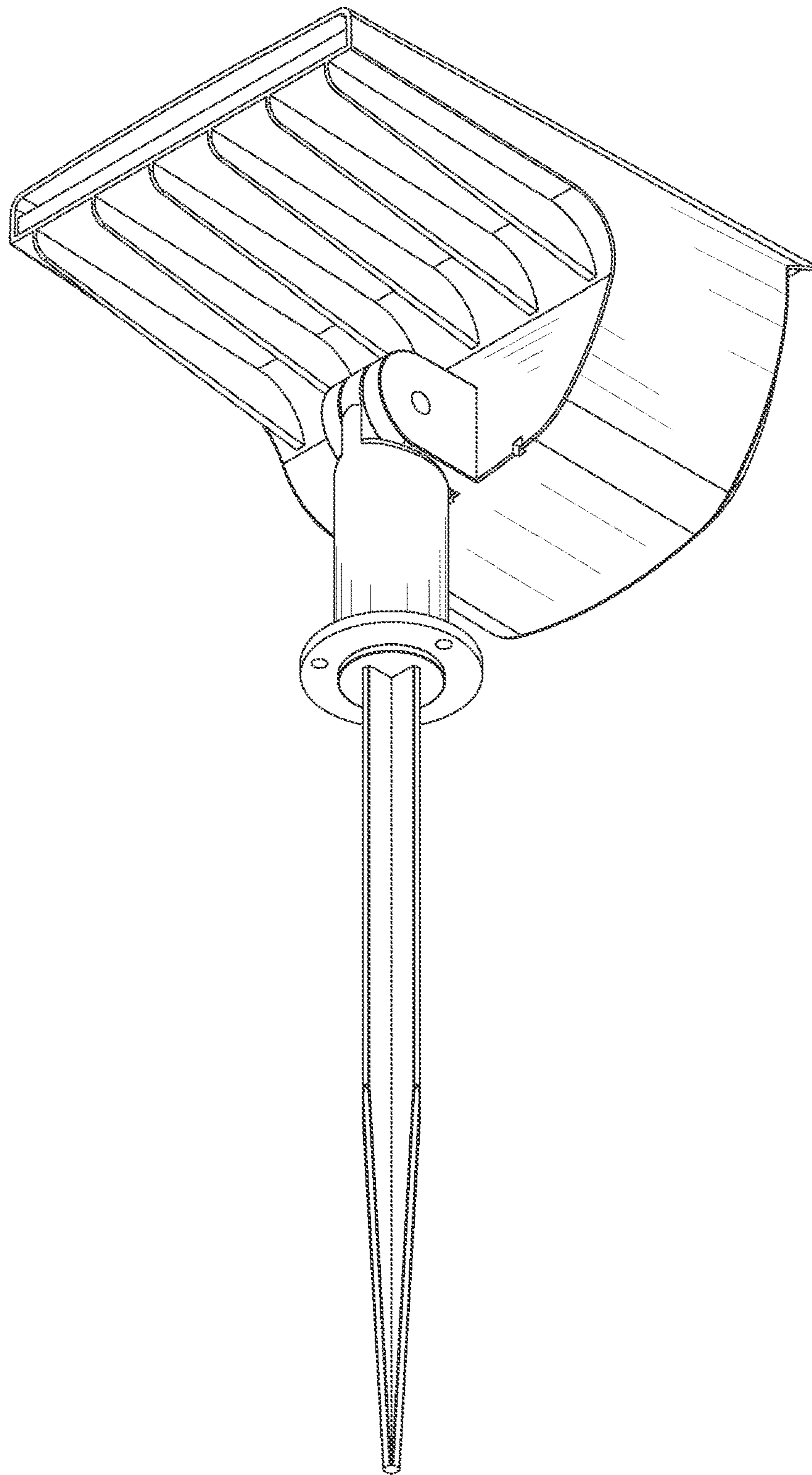


FIG. 2

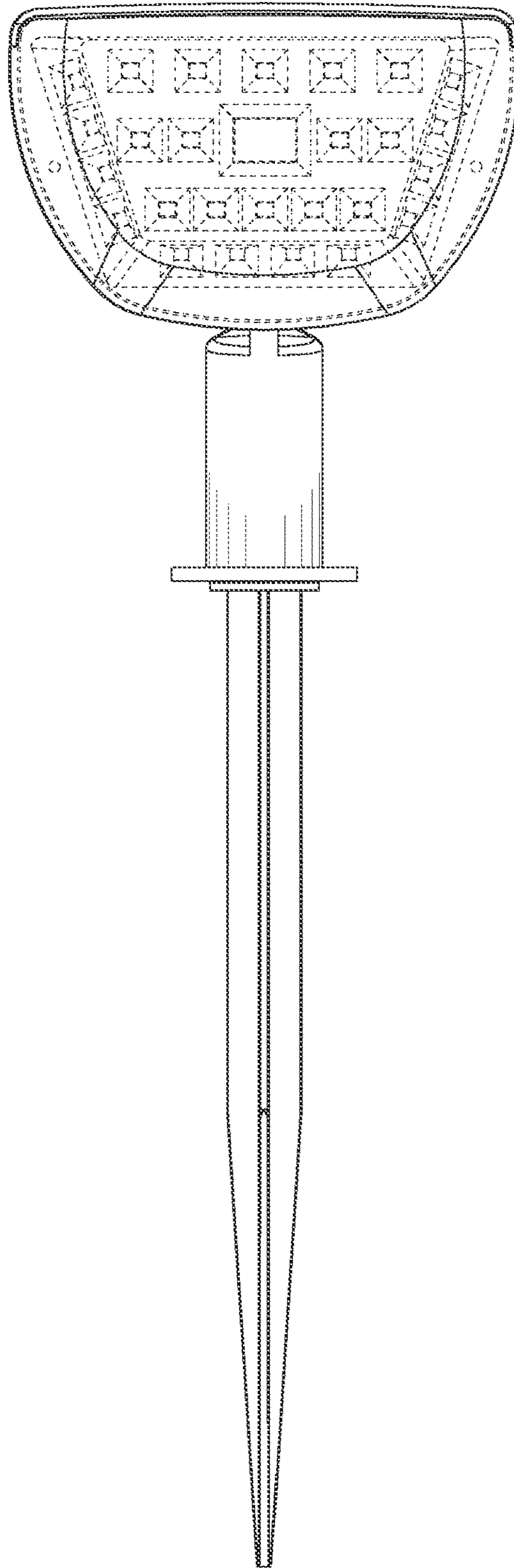


FIG. 3

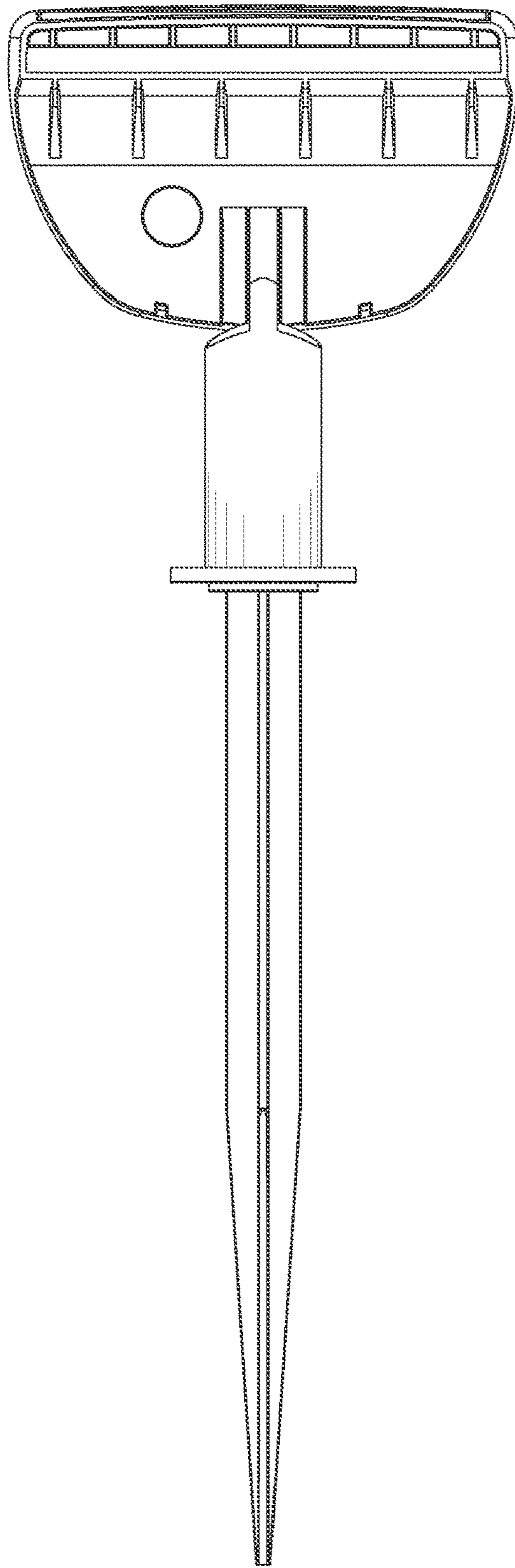


FIG. 4

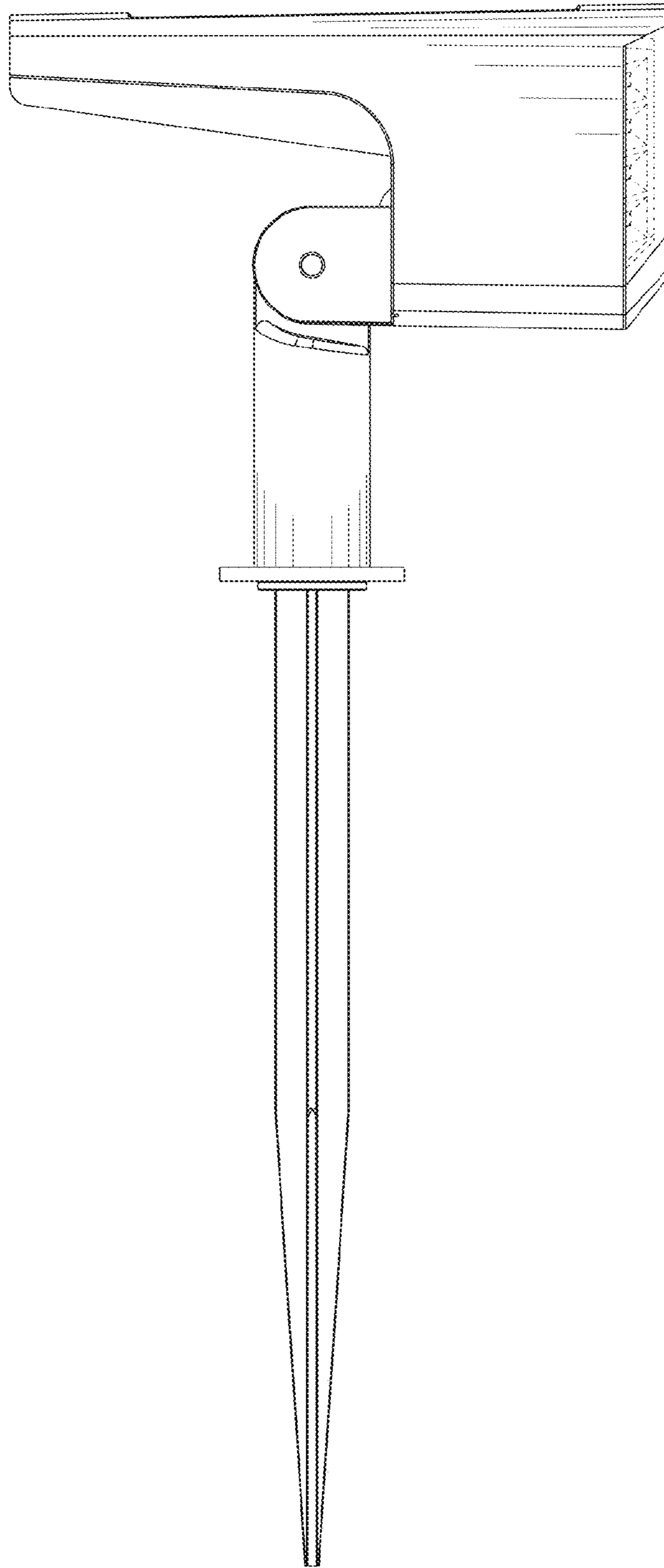


FIG. 5

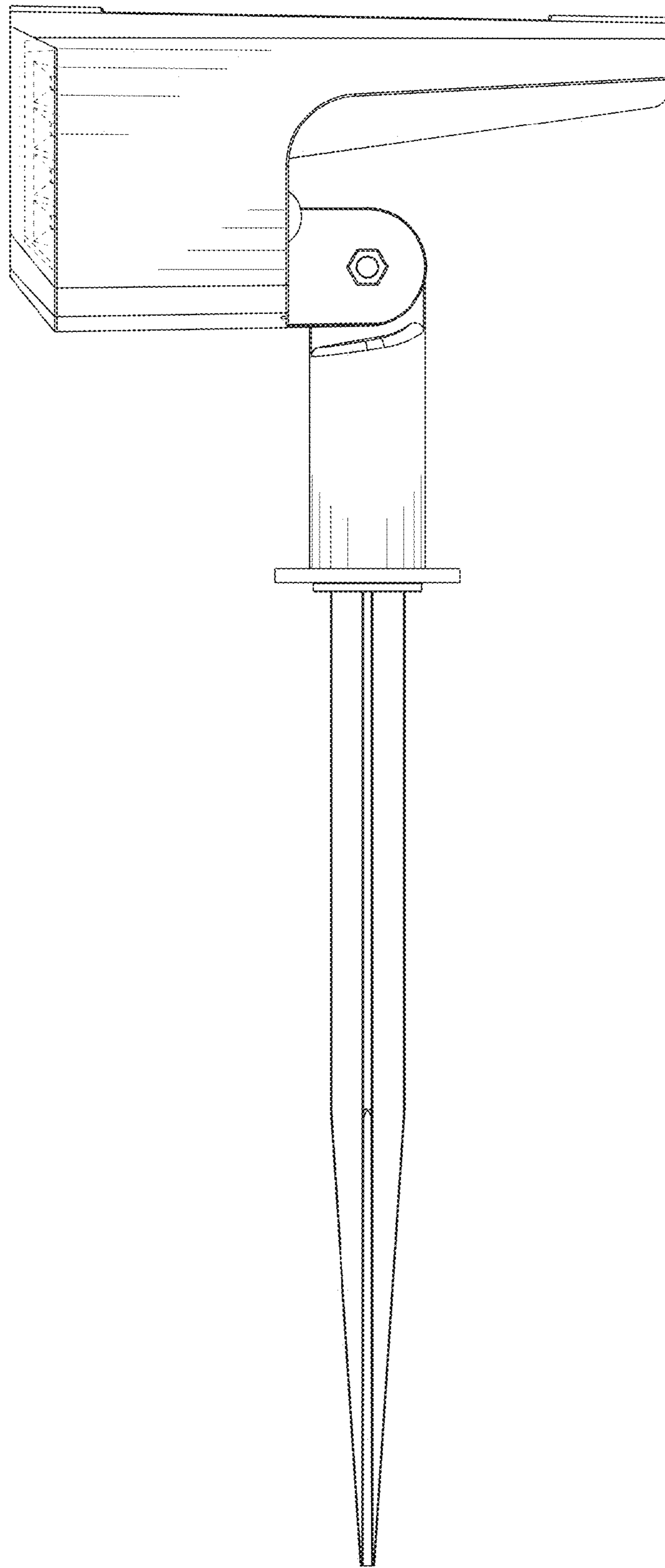


FIG. 6

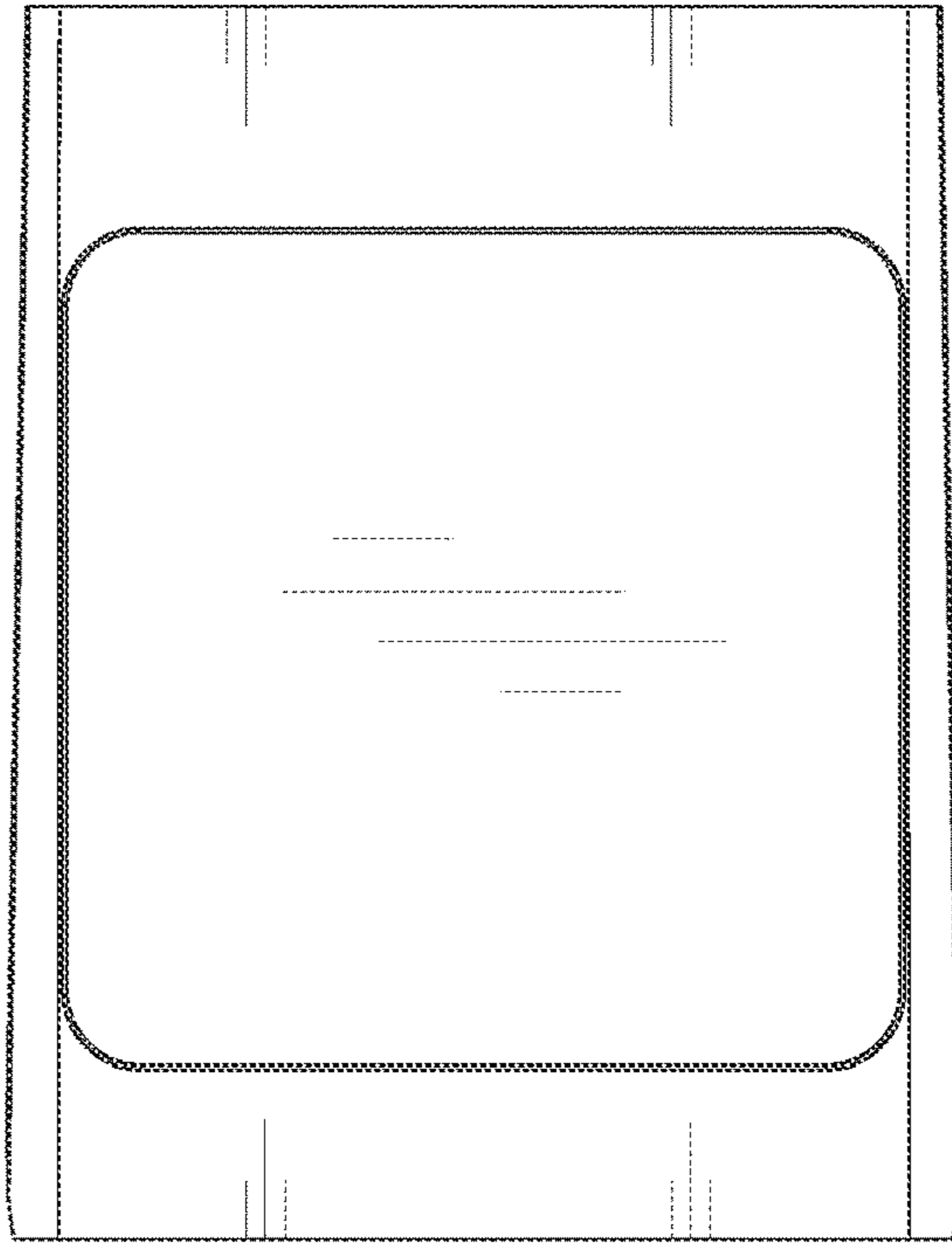


FIG. 7

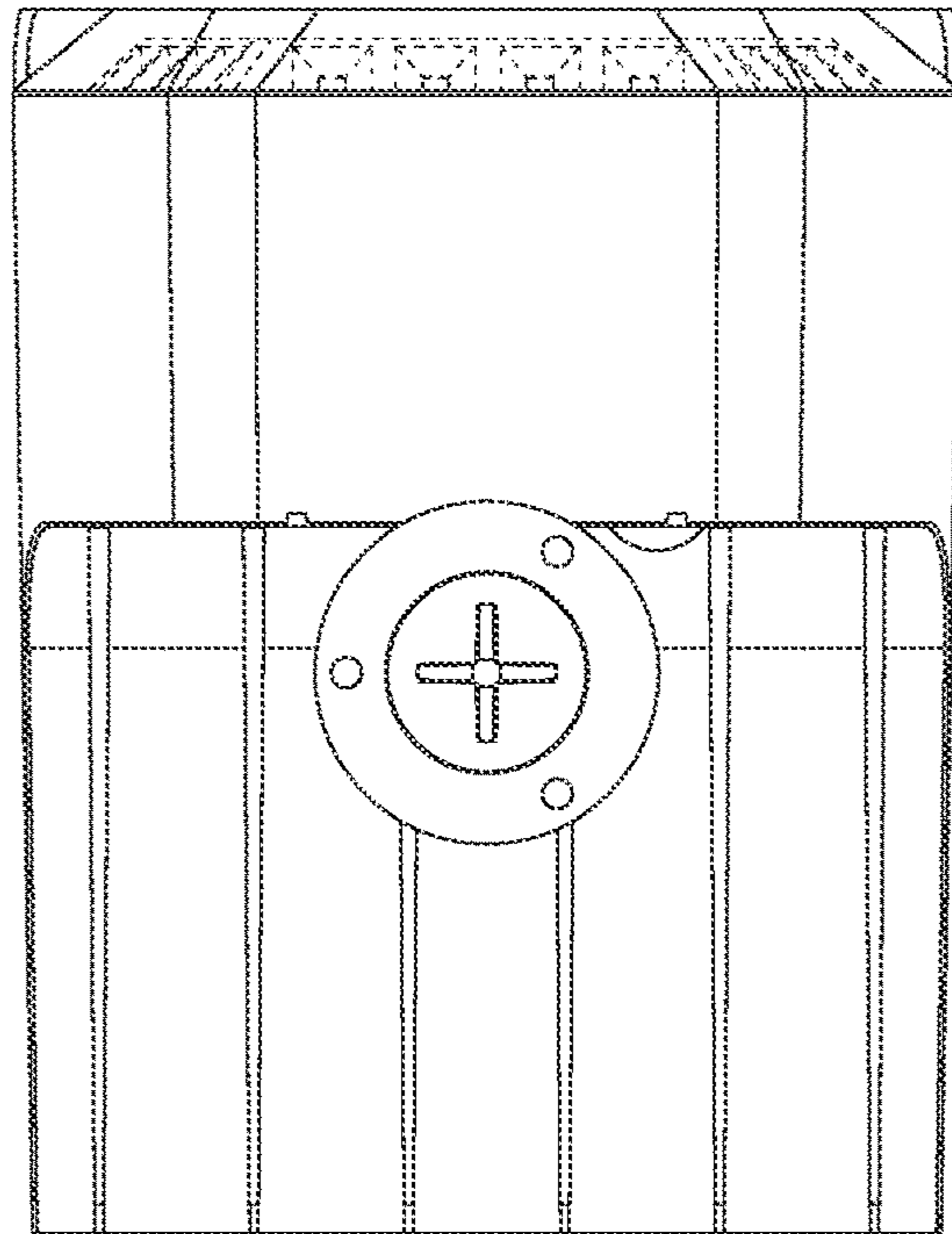


FIG. 8