



US00D923844S

(12) **United States Design Patent**
Ke et al.

(10) **Patent No.:** **US D923,844 S**
(45) **Date of Patent:** **** Jun. 29, 2021**

(54) **INTELLIGENT BRAKE INDUCTION TAIL LAMP**

D766,480 S * 9/2016 Bo D26/60
D768,322 S * 10/2016 Feustel D26/60
D788,343 S * 5/2017 Sonneman D26/60
D884,947 S * 5/2020 Tang D26/60

(71) Applicants: **Yu-Gang Ke**, Guangzhou (CN);
Xi-Jian Li, Yueyang (CN)

* cited by examiner

(72) Inventors: **Yu-Gang Ke**, Guangzhou (CN);
Xi-Jian Li, Yueyang (CN)

Primary Examiner — Brian N. Vinson
(74) *Attorney, Agent, or Firm* — W&K IP

(**) Term: **15 Years**

(21) Appl. No.: **29/692,423**

(57) **CLAIM**

(22) Filed: **May 24, 2019**

The ornamental design for an intelligent brake induction tail lamp, as shown and described.

(51) **LOC (13) Cl.** **26-03**

(52) **U.S. Cl.**
USPC **D26/60**

(58) **Field of Classification Search**
USPC D26/60, 62
CPC F21W 2131/30; F21W 2121/00; F21V 21/0088; F21V 21/02; F21S 6/00; F21S 6/002; F21S 6/003; F21S 6/004; F21S 6/005; F21S 6/006; F21S 6/007
See application file for complete search history.

DESCRIPTION

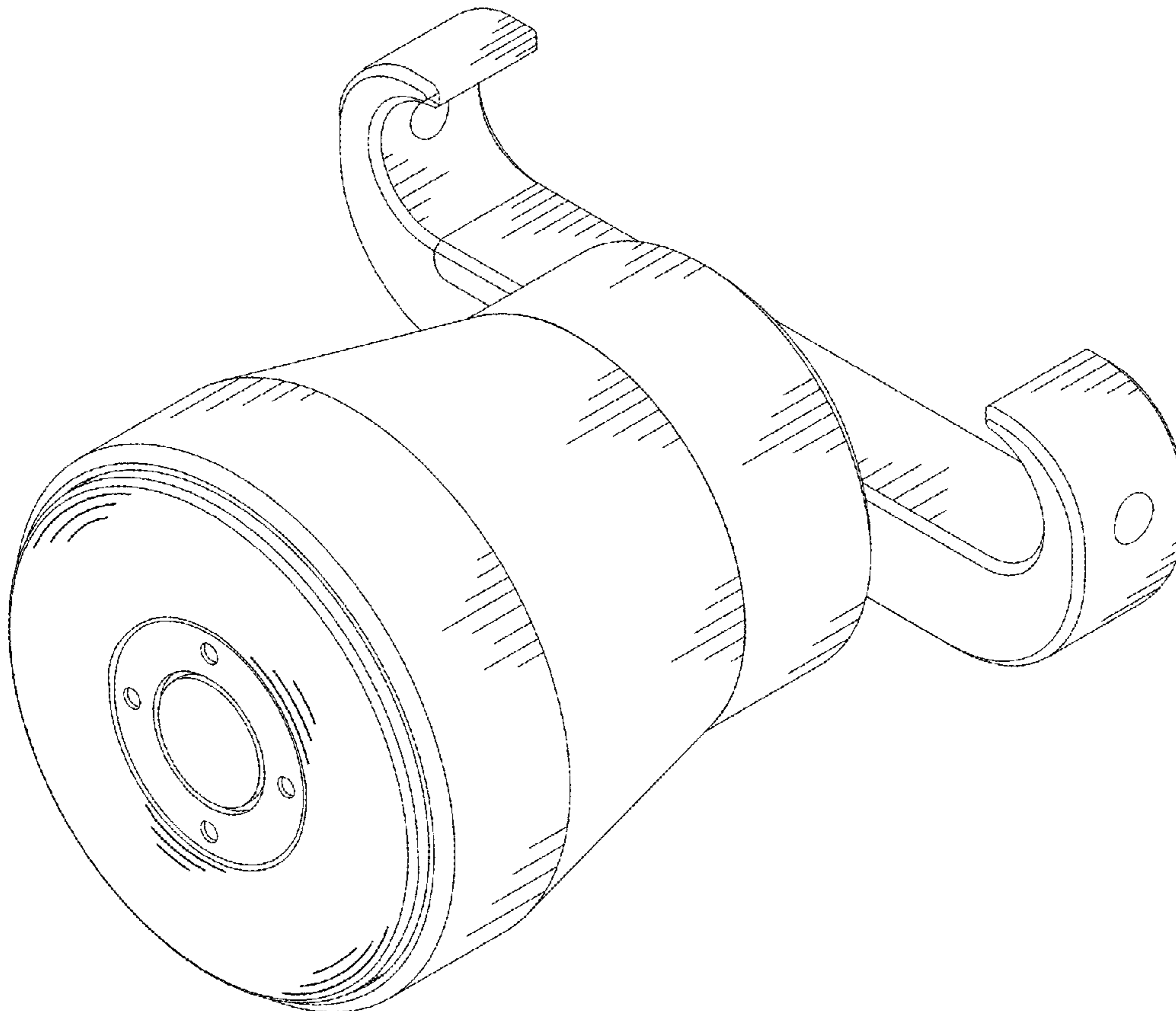
FIG. 1 is a perspective view of an intelligent brake induction tail lamp showing my new design;
FIG. 2 is a front elevational view thereof;
FIG. 3 is a top plan view thereof;
FIG. 4 is a left side elevational view thereof;
FIG. 5 is a rear elevational view thereof;
FIG. 6 is a right side view thereof; and,
FIG. 7 is a bottom plan view thereof.

(56) **References Cited**

U.S. PATENT DOCUMENTS

D609,377 S * 2/2010 Taiga D26/60
D697,244 S * 1/2014 McKechnie D26/60

1 Claim, 7 Drawing Sheets



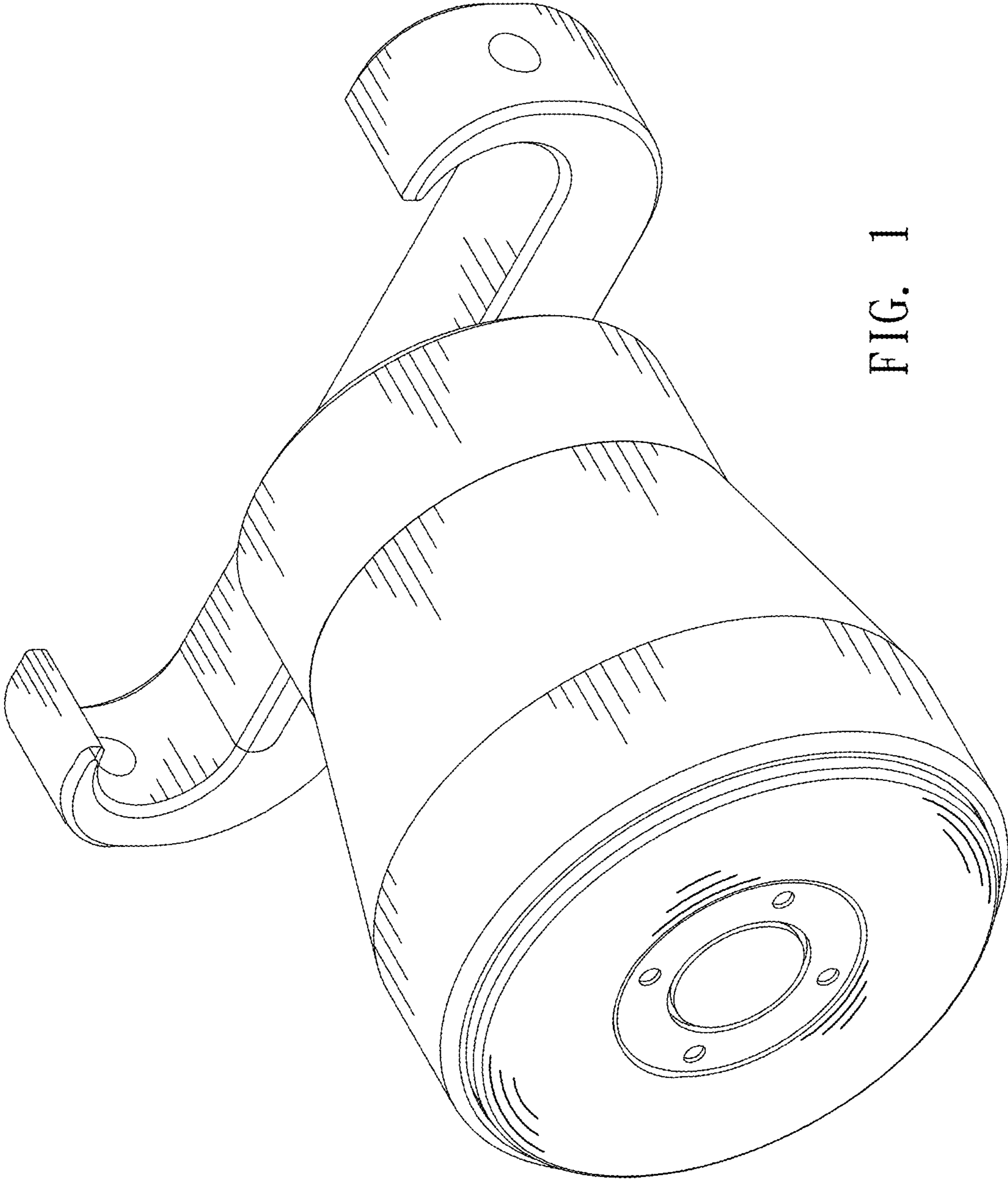


FIG. 1

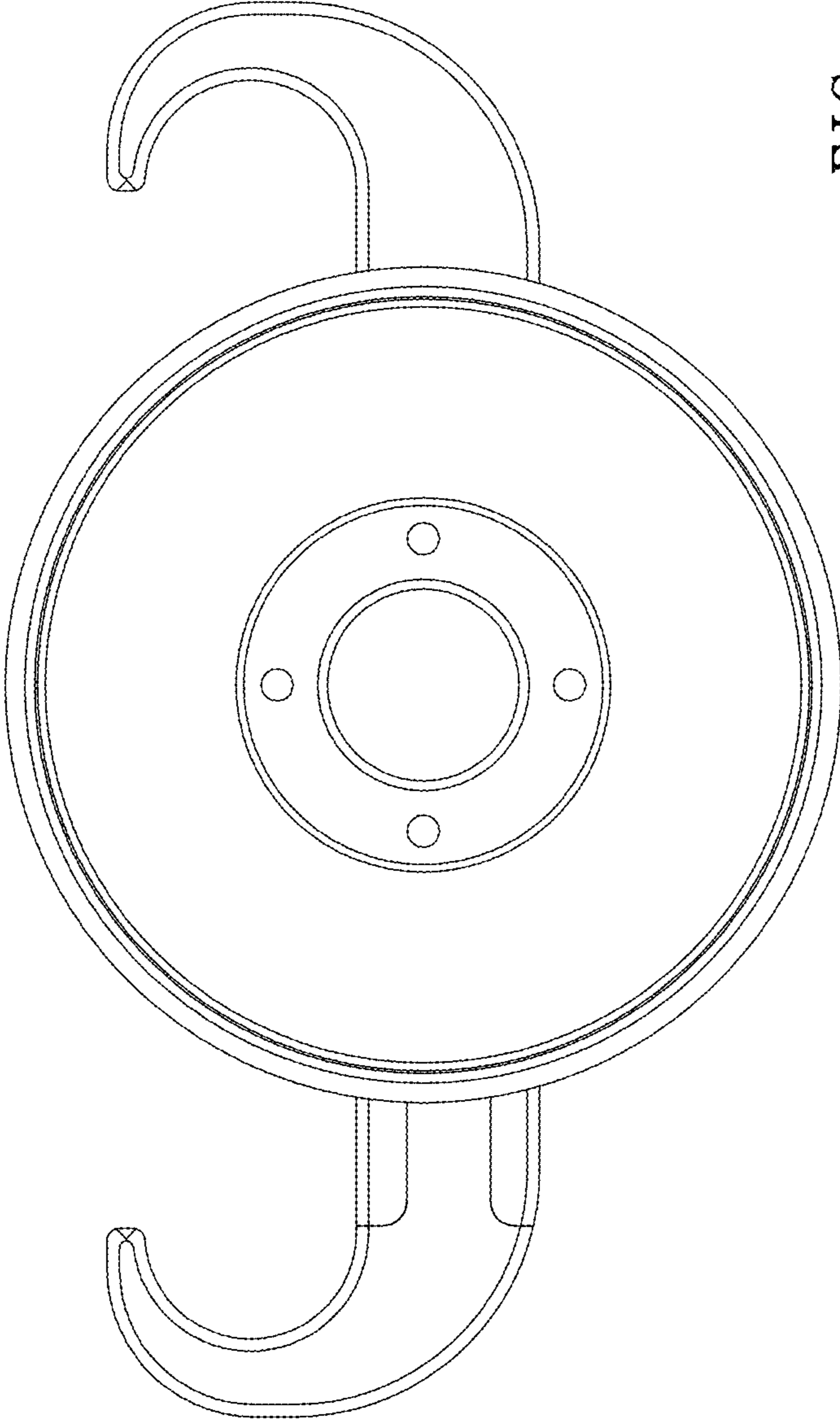


FIG. 2

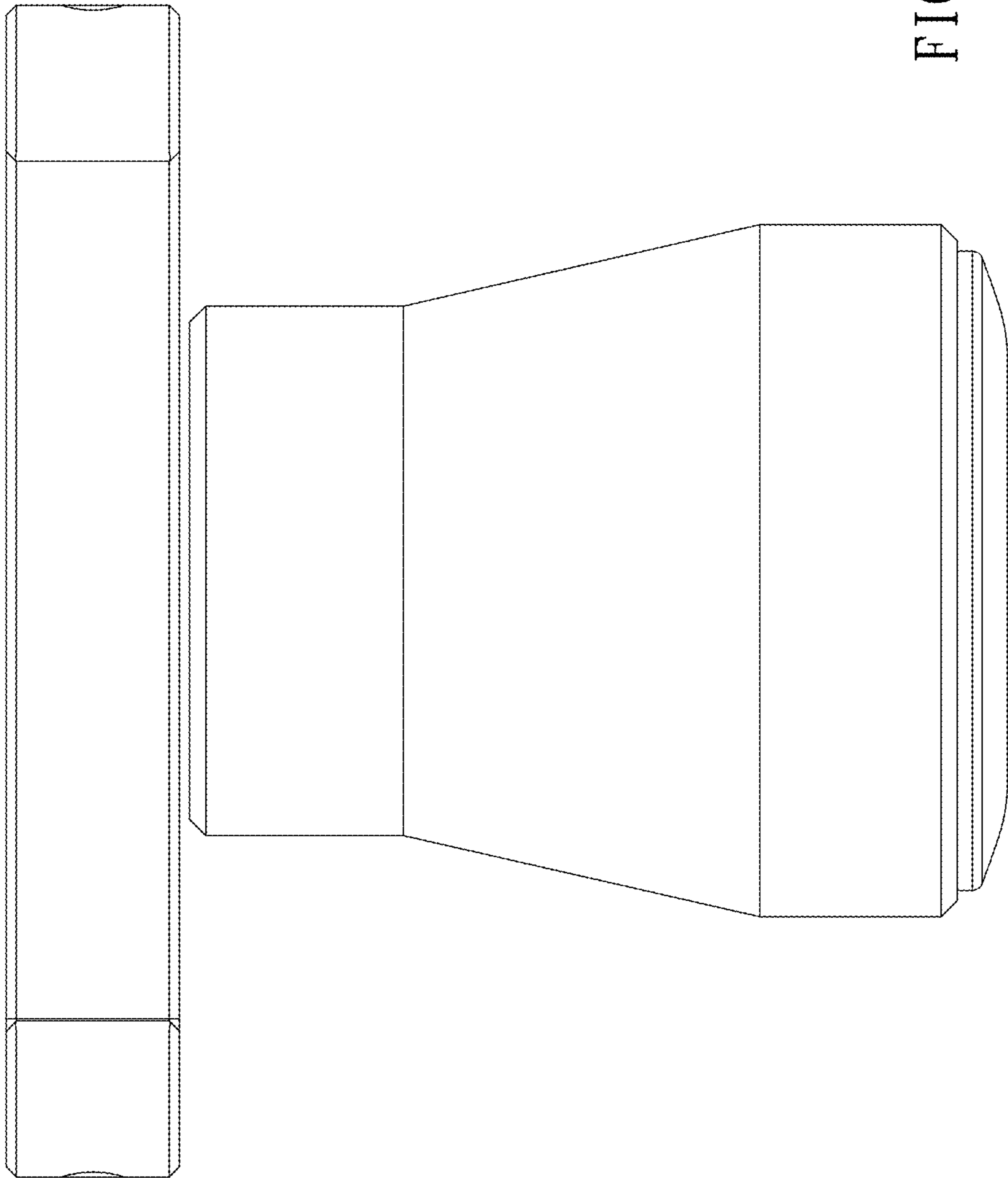


FIG. 3

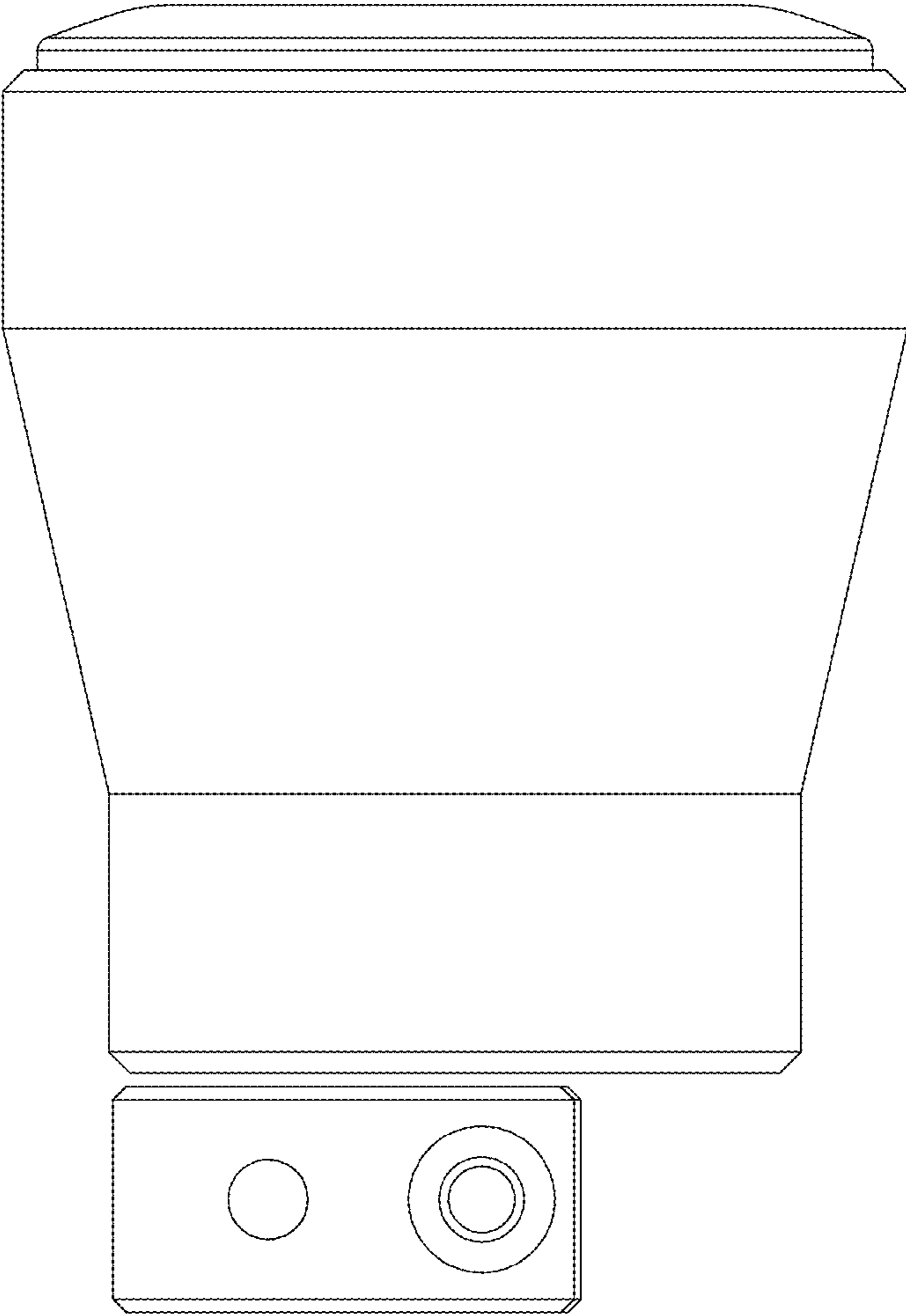


FIG. 4

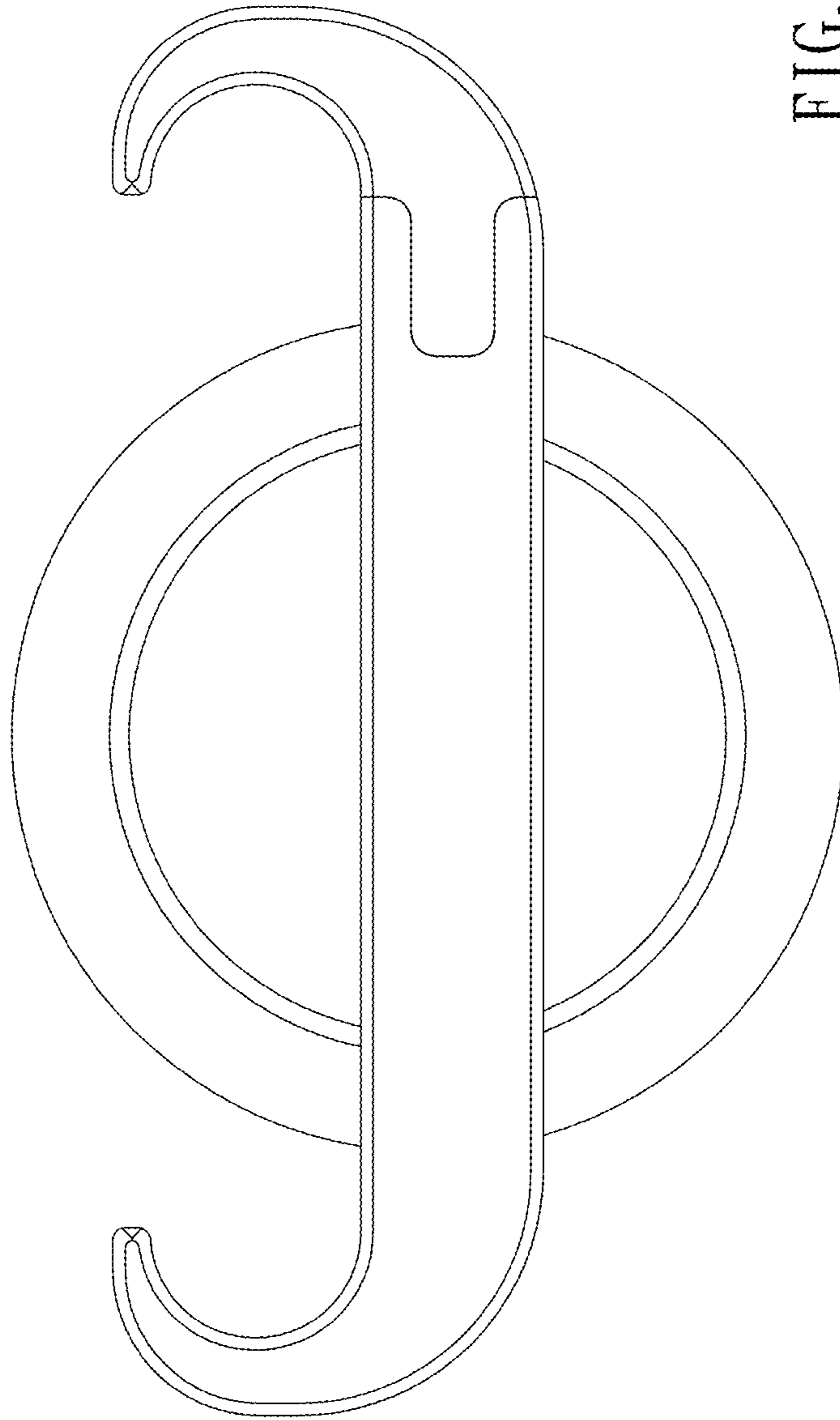


FIG. 5

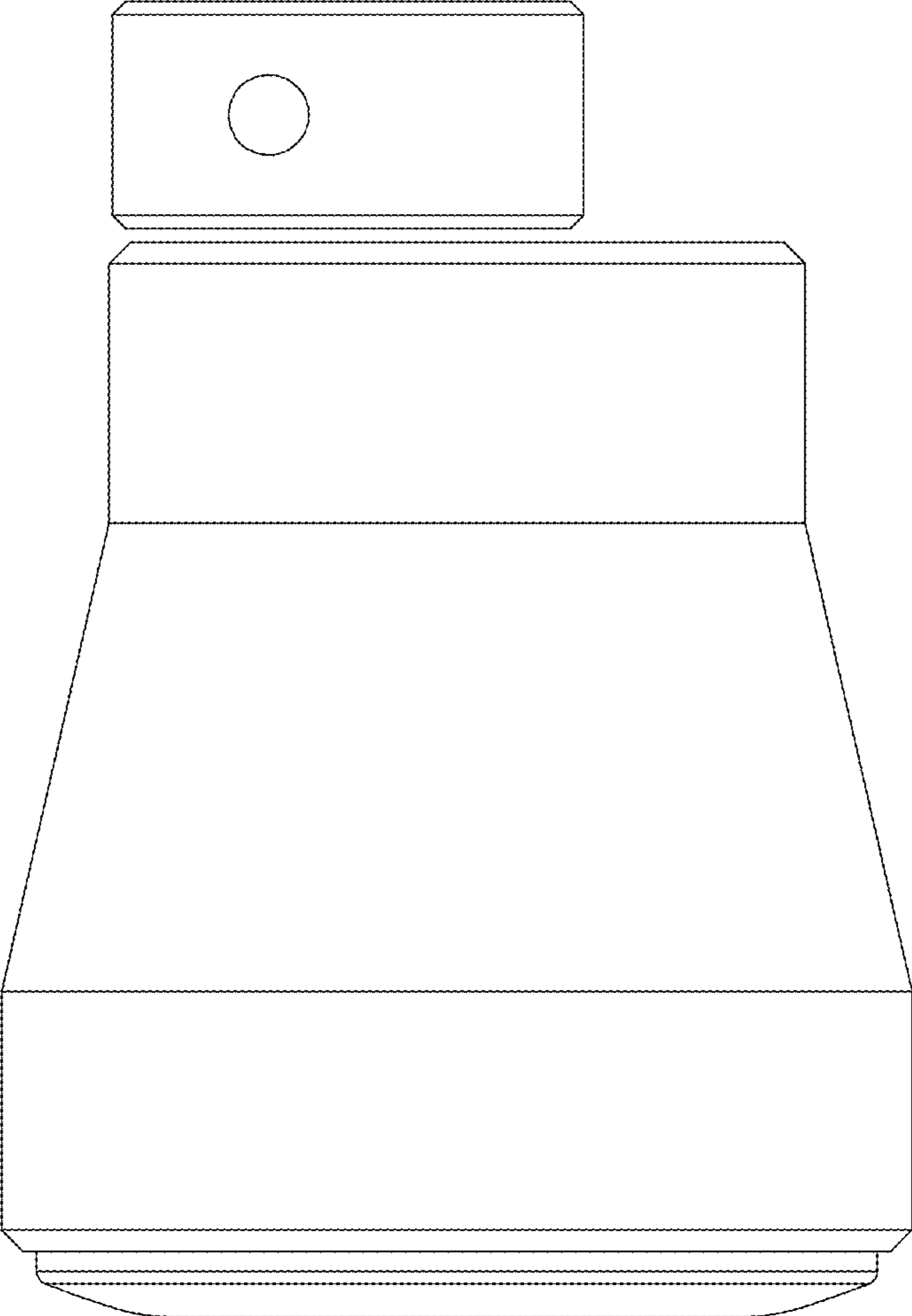


FIG. 6

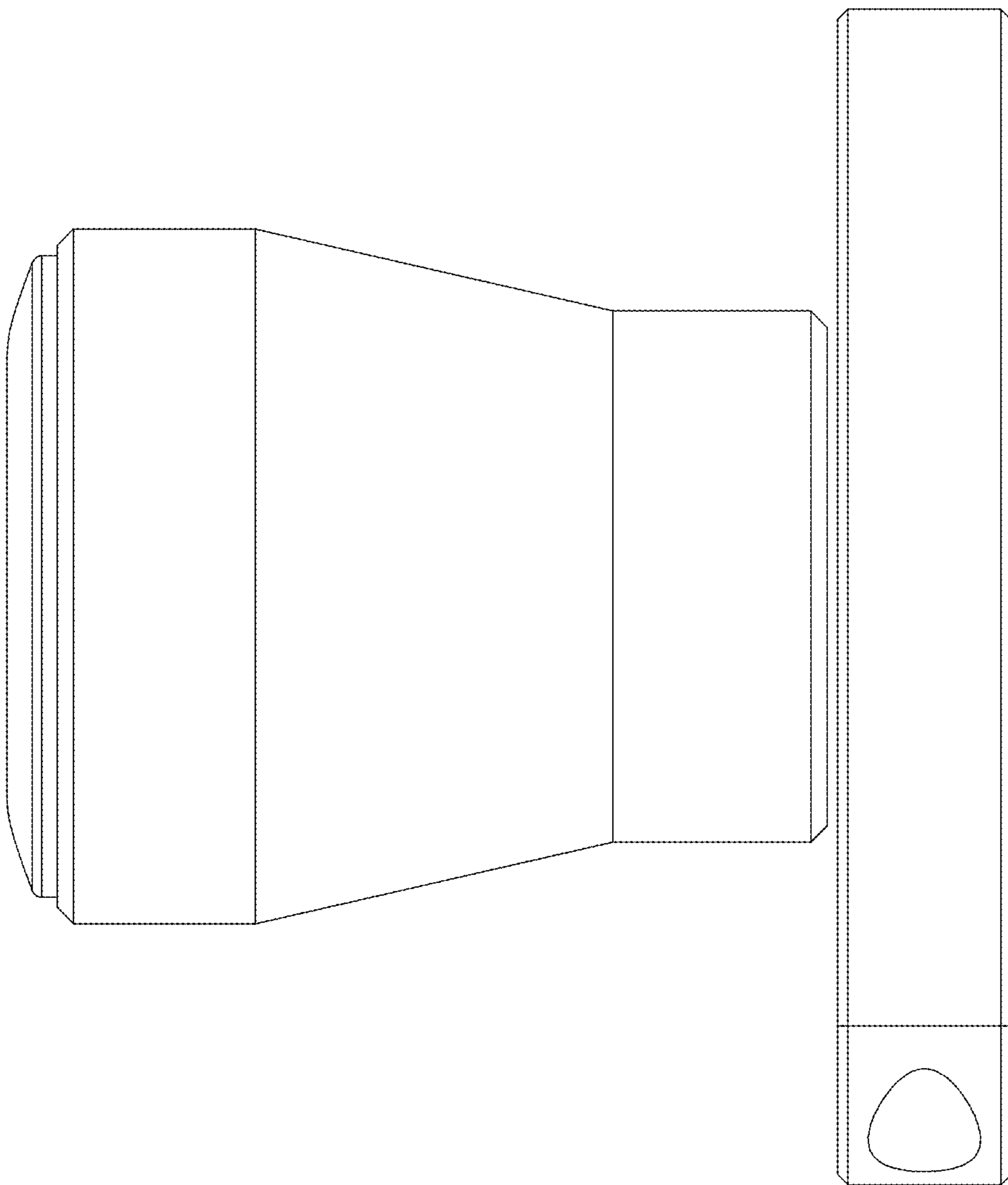


FIG. 7