



US00D923843S

(12) **United States Design Patent**
Zhang

(10) **Patent No.:** **US D923,843 S**

(45) **Date of Patent:** **** Jun. 29, 2021**

(54) **CEILING FAN LIGHT KIT**

(71) Applicant: **Carro Technology Inc.**, Alhambra, CA
(US)

(72) Inventor: **Jiansheng Zhang**, Foshan (CN)

(73) Assignee: **Carro Technology Inc.**, Alhambra, CA
(US)

(**) Term: **15 Years**

(21) Appl. No.: **29/672,130**

(22) Filed: **Dec. 3, 2018**

(30) **Foreign Application Priority Data**

Aug. 16, 2018 (CN) 201830455351.0

(51) **LOC (13) Cl.** **26-05**

(52) **U.S. Cl.**
USPC **D26/59**

(58) **Field of Classification Search**
USPC D23/370, 377, 411; D26/59
CPC F21V 33/0092; F24F 2221/02
See application file for complete search history.

(56) **References Cited**

U.S. PATENT DOCUMENTS

D556,939 S * 12/2007 Gajewski D26/128
D807,488 S * 1/2018 McRoberts D23/377
D821,559 S * 6/2018 Hidalgo D23/377

D858,836 S * 9/2019 McRoberts D26/59
D862,756 S * 10/2019 Yang D26/59
D876,612 S * 2/2020 Hidalgo 23/411
D879,940 S * 3/2020 Orozco 23/411
2020/0208809 A1* 7/2020 Zhang F21V 33/0096

* cited by examiner

Primary Examiner — Janice Hallmark

(74) *Attorney, Agent, or Firm* — Thomas J. Nikolai;
DeWitt LLP

(57) **CLAIM**

The ornamental design for a ceiling fan light kit, as shown and described.

DESCRIPTION

FIG. 1 is a top perspective view of a ceiling fan light kit showing my new design;

FIG. 2 is a front elevation view thereof;

FIG. 3 is a rear elevation view thereof;

FIG. 4 is a left side elevation view thereof;

FIG. 5 is a right side elevation view thereof;

FIG. 6 is a top plan view thereof;

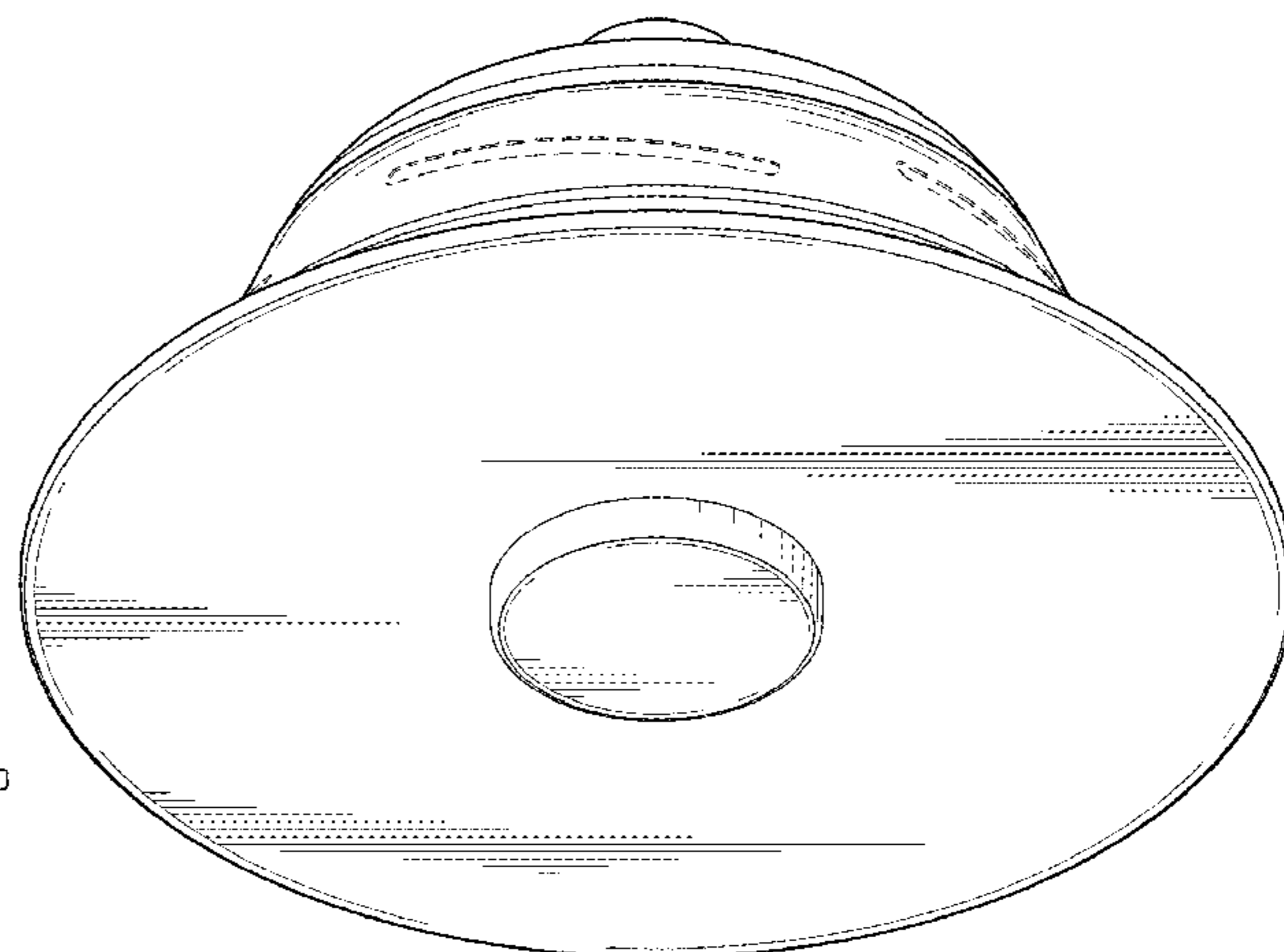
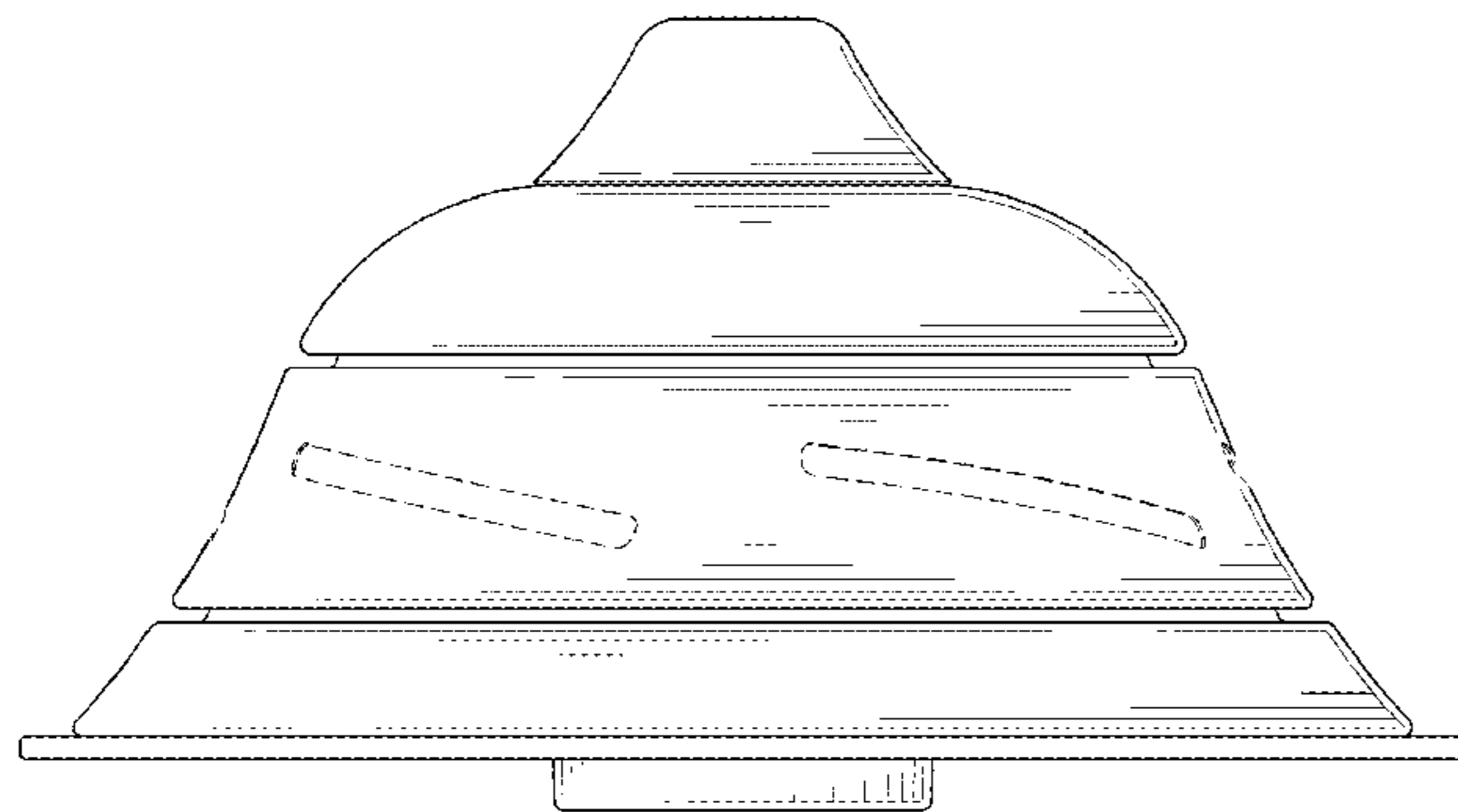
FIG. 7 is a bottom plan view thereof;

FIG. 8 is a bottom perspective view thereof; and,

FIG. 9 is an operational perspective view of the ceiling fan light kit in accordance with my design, shown in its environment.

The broken lines shown are included for the purpose of illustrating environment and unclaimed portions of the article and form no part of the claimed design.

1 Claim, 9 Drawing Sheets



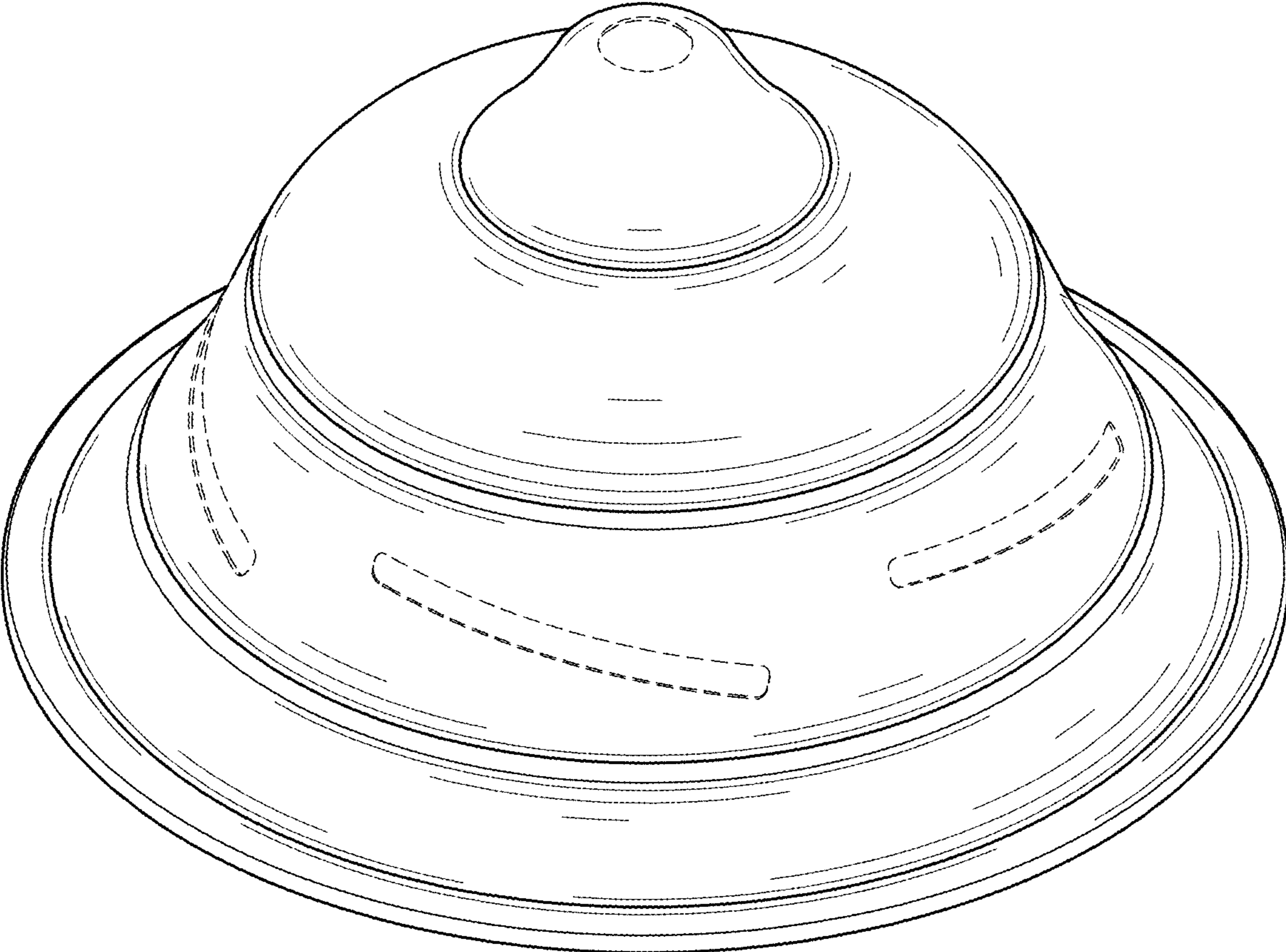


FIG. 1

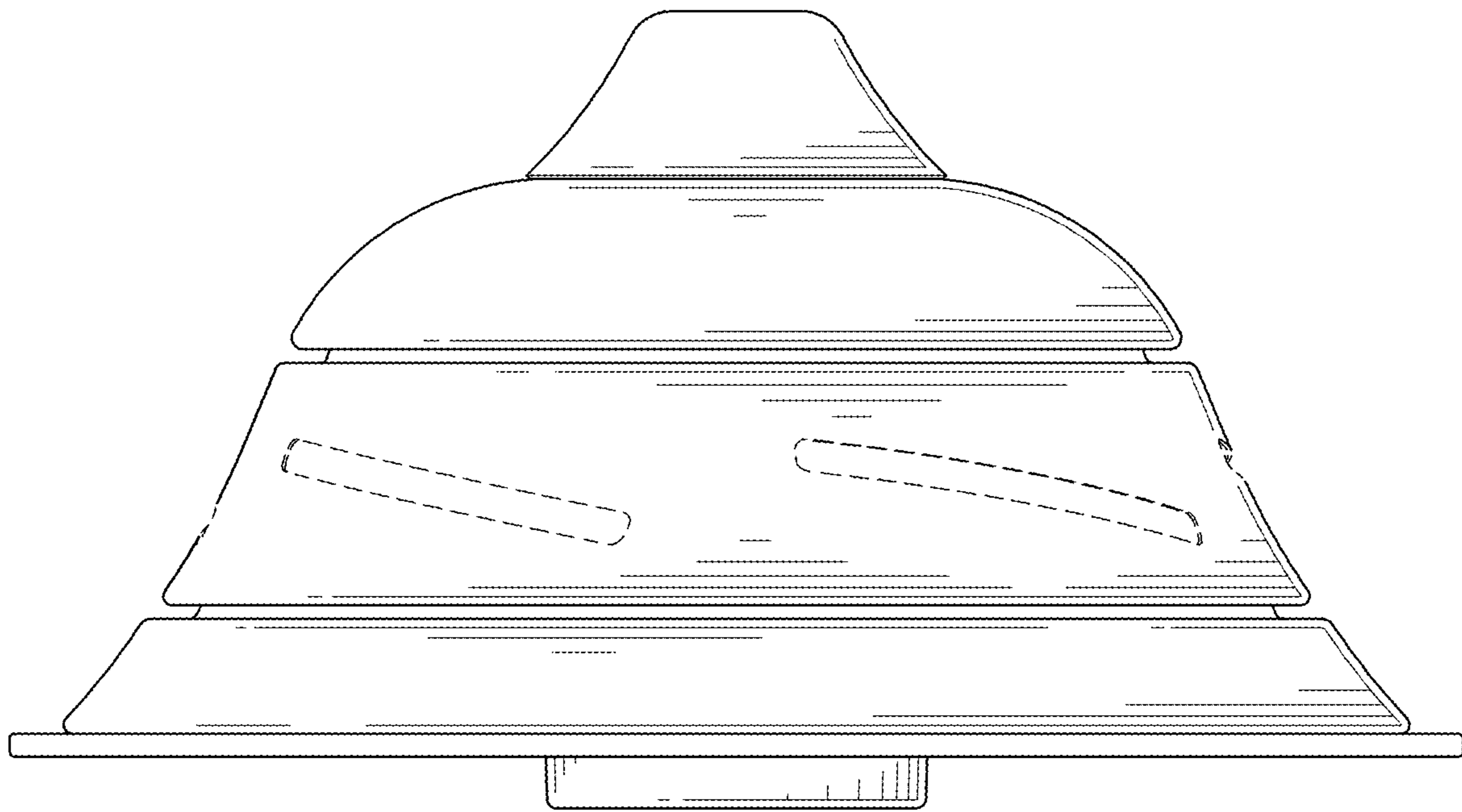


FIG. 2

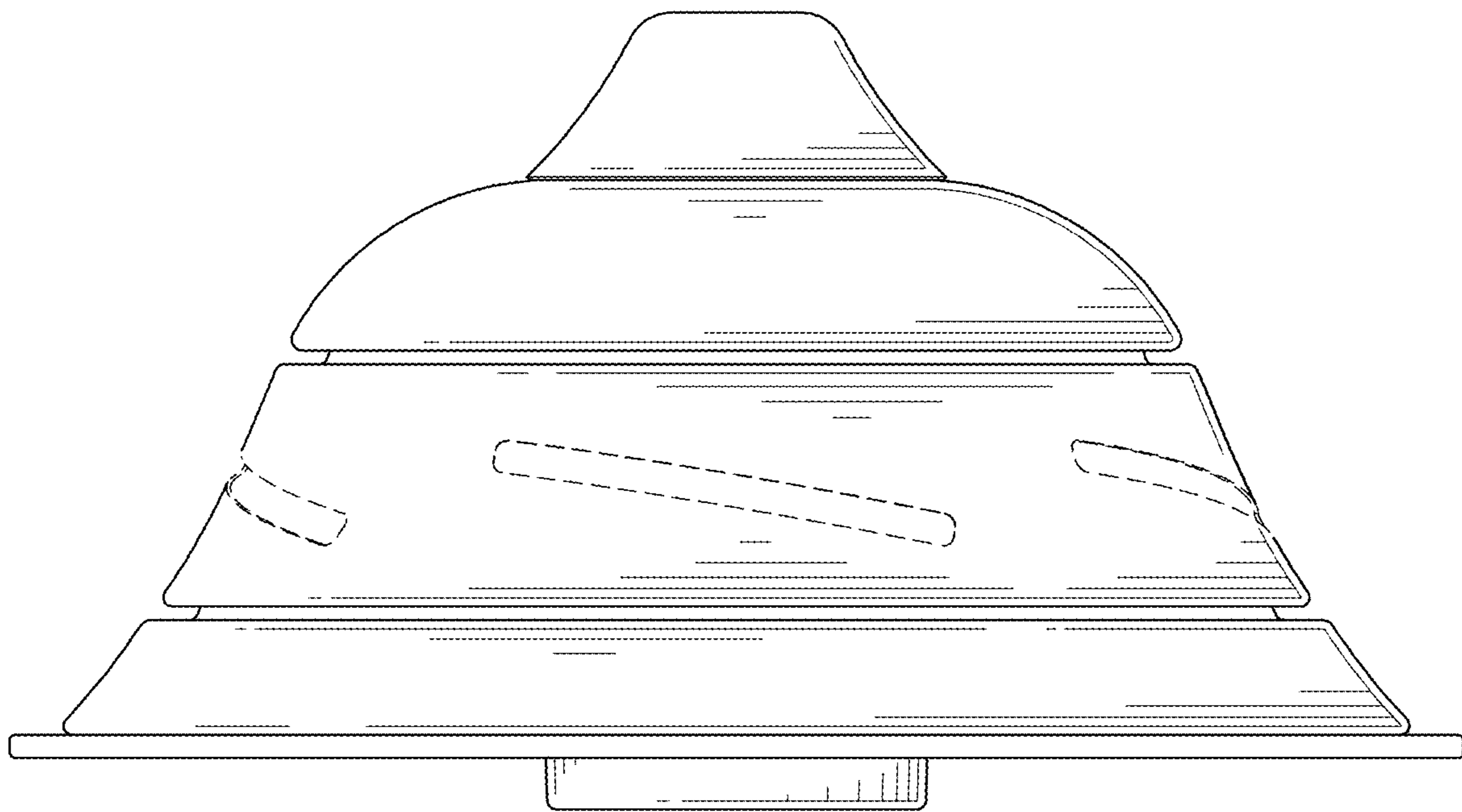


FIG. 3

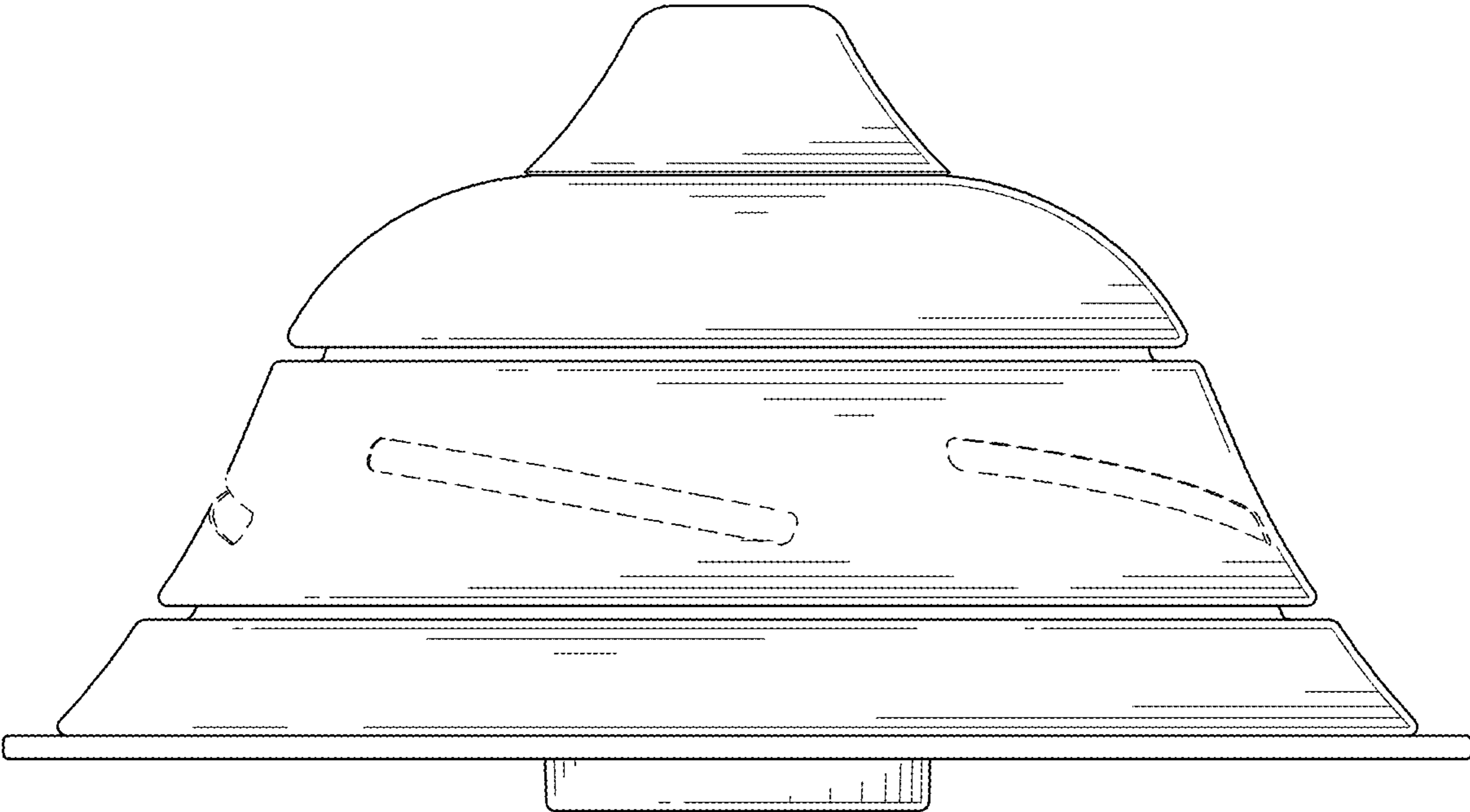


FIG. 4

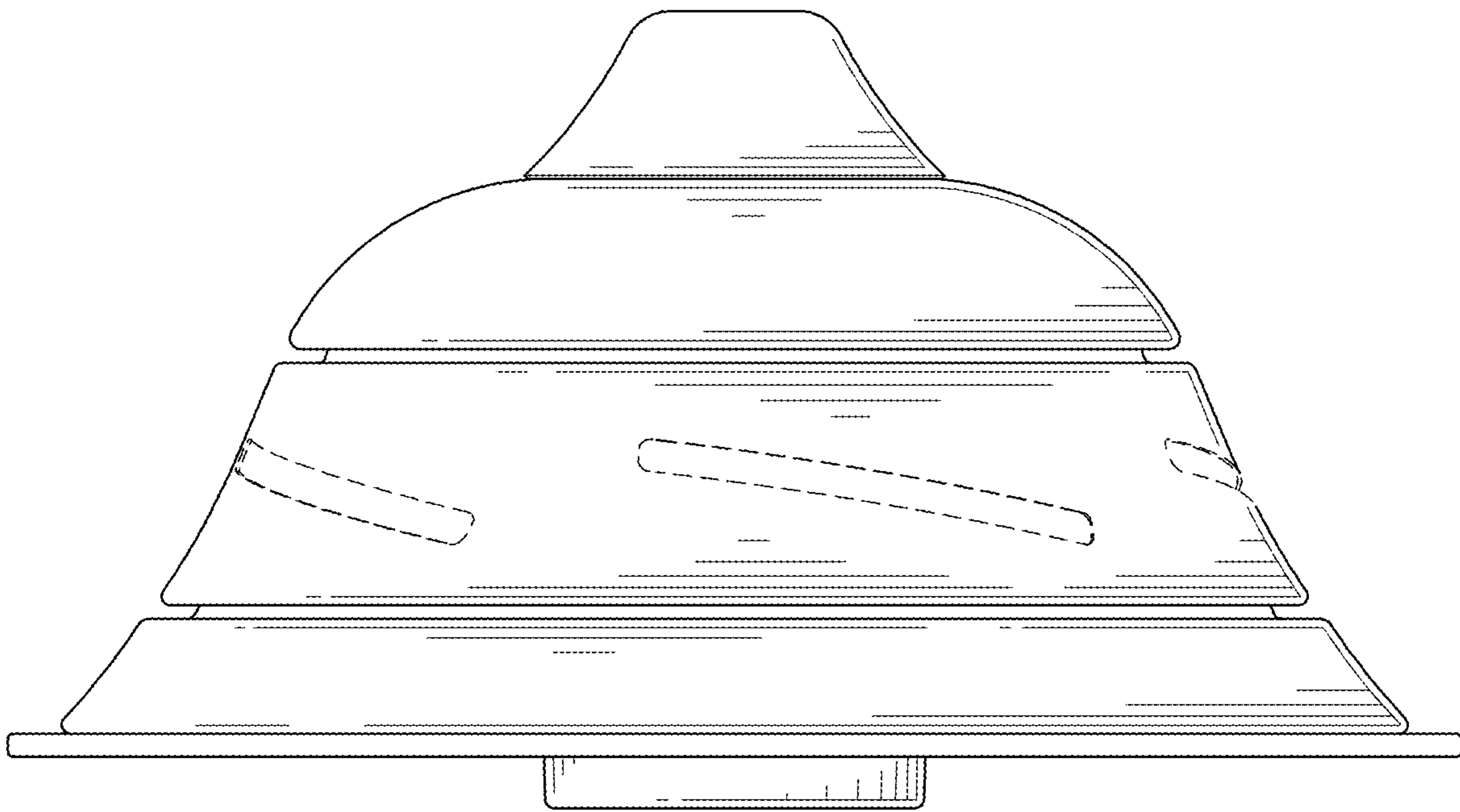


FIG. 5

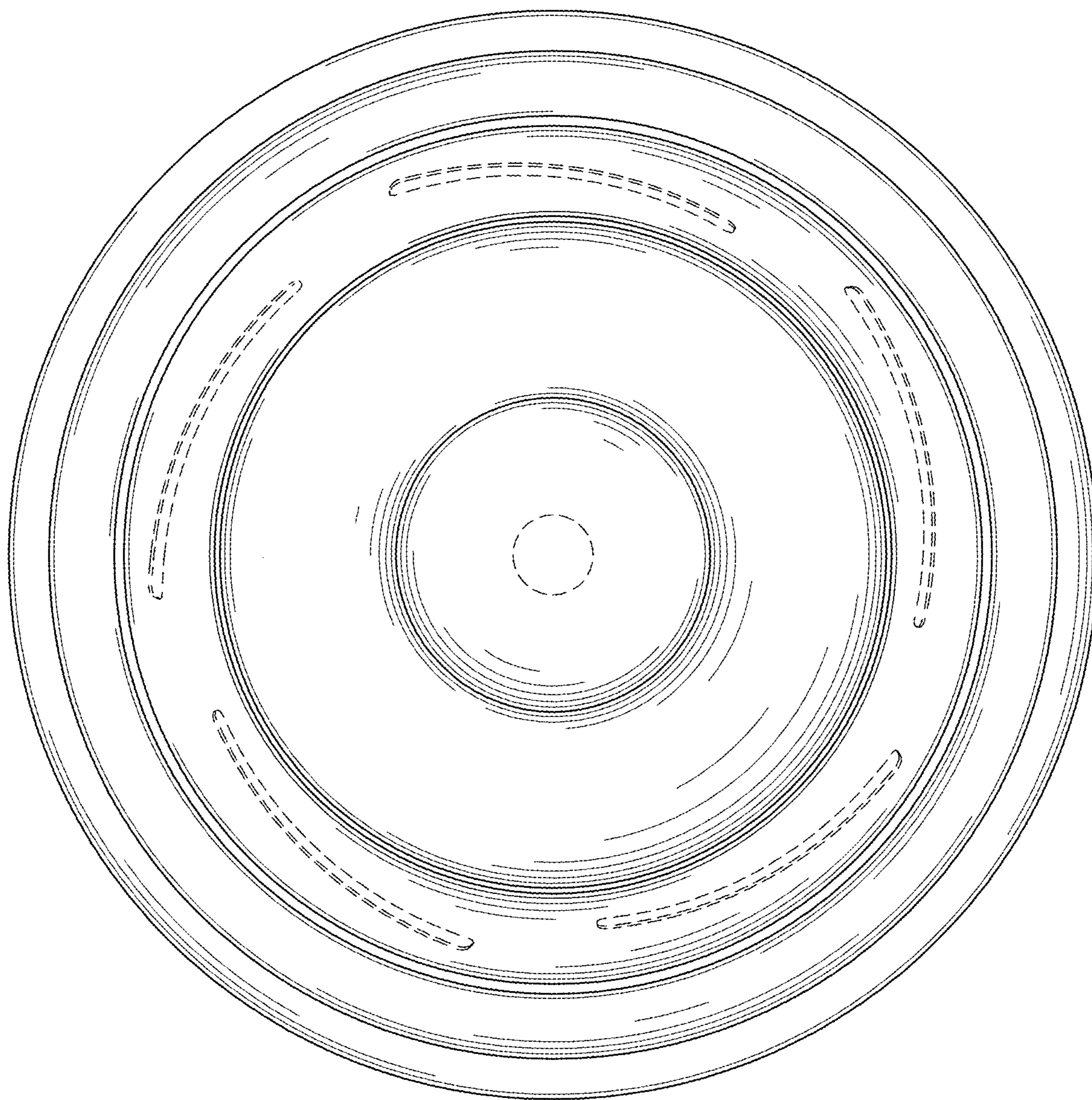


FIG. 6

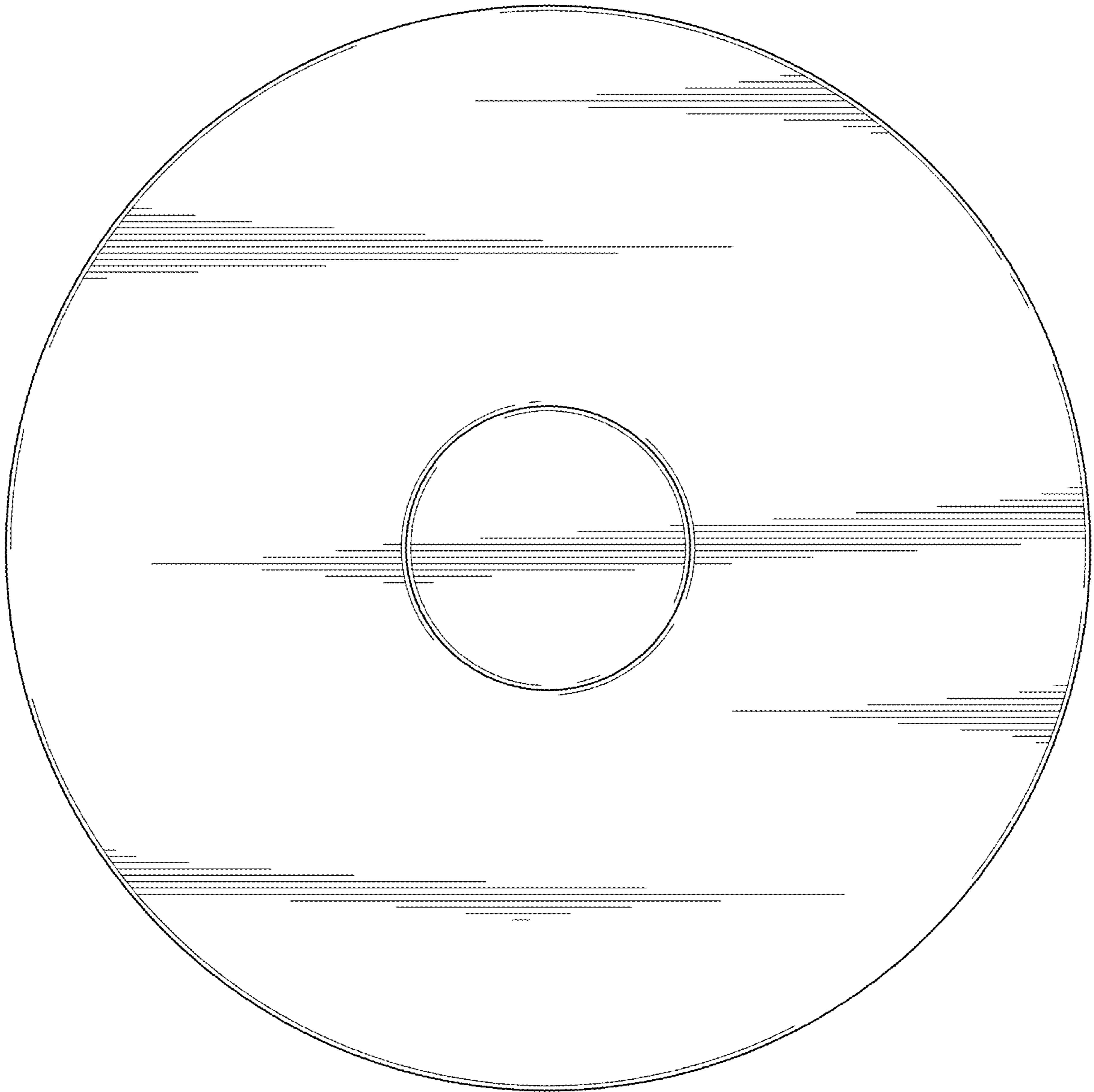


FIG. 7

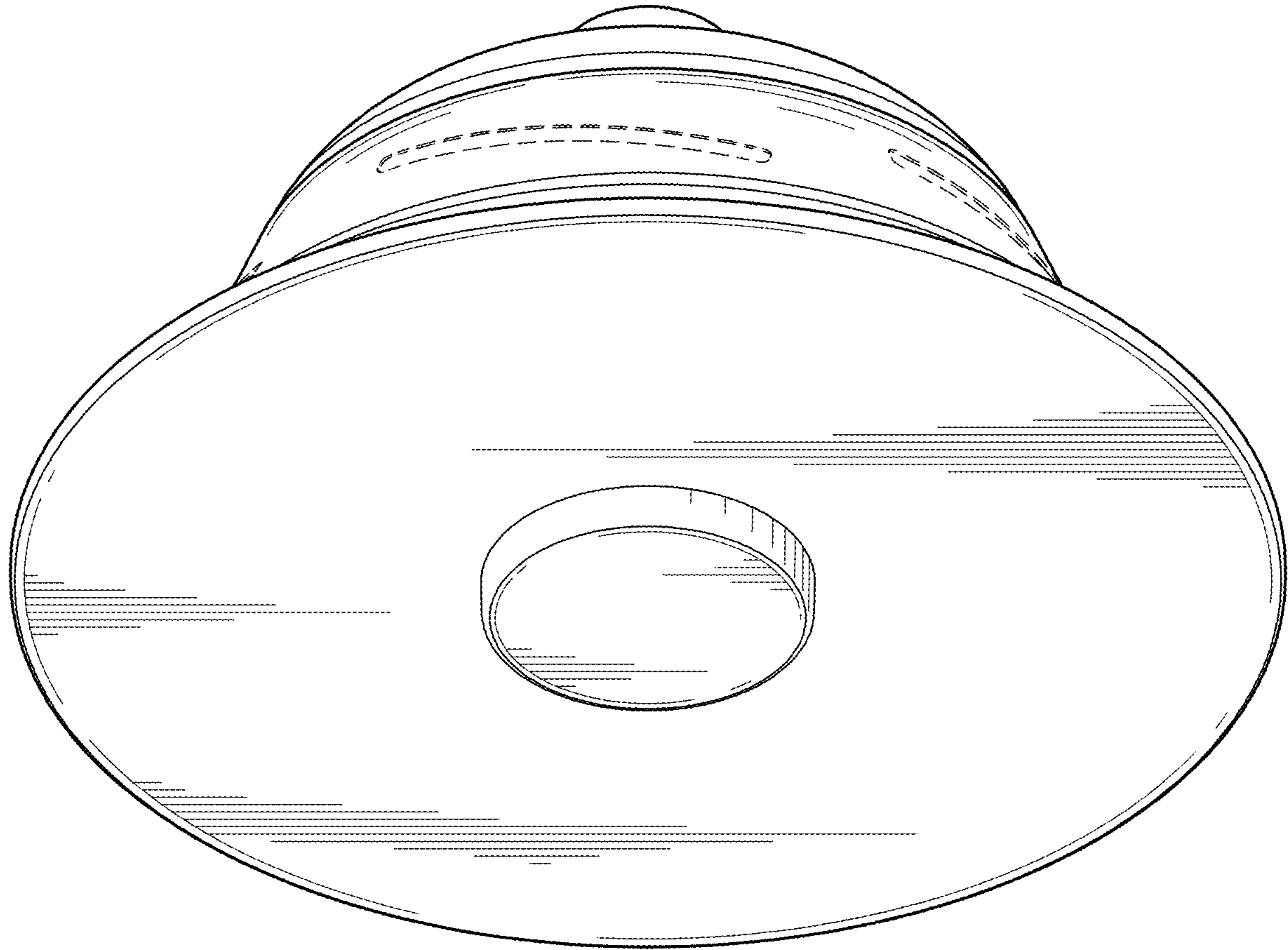


FIG. 8

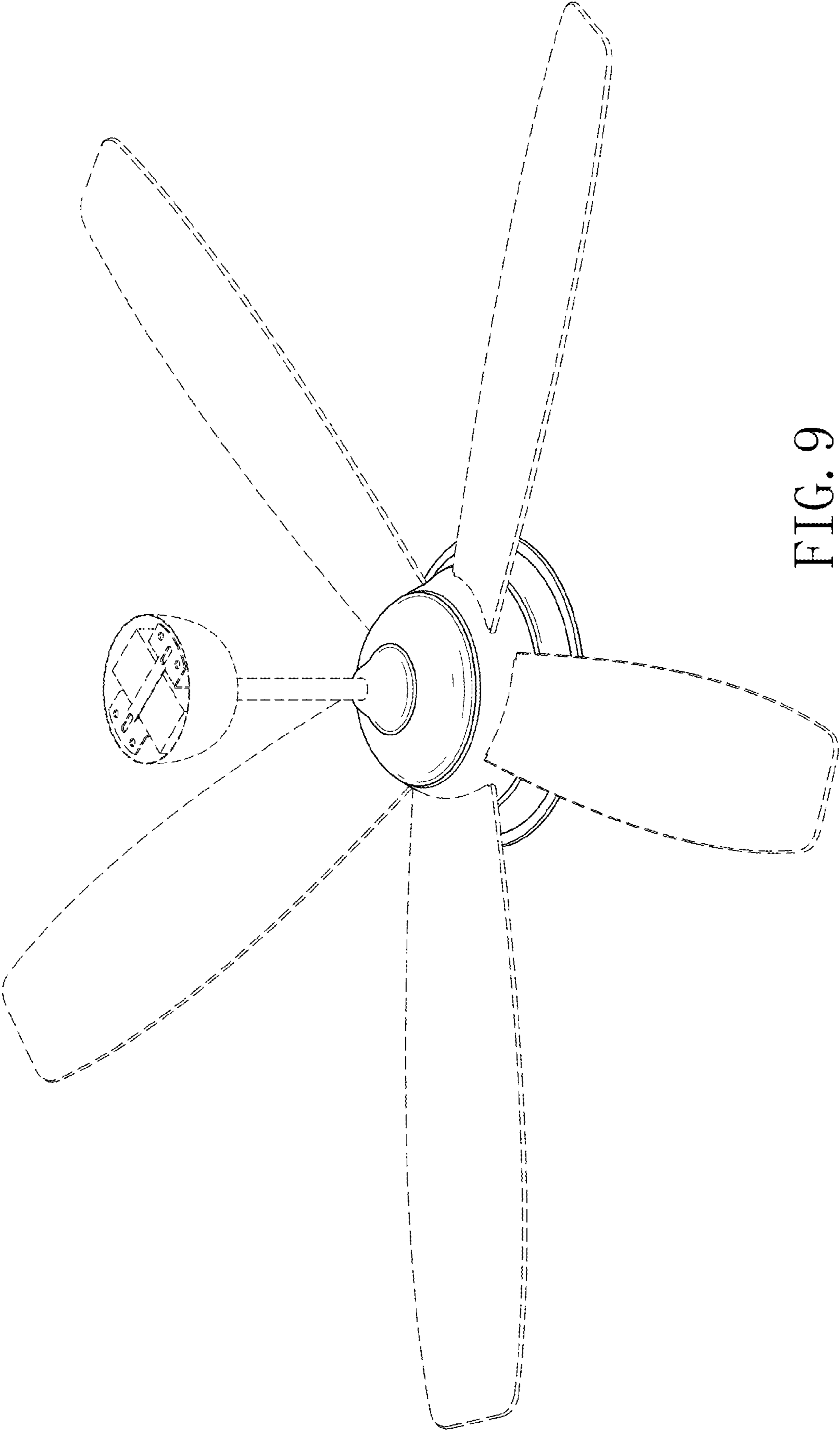


FIG. 9