



US00D923840S

(12) **United States Design Patent**
Lien et al.

(10) **Patent No.:** **US D923,840 S**
(45) **Date of Patent:** **** Jun. 29, 2021**

- (54) **LIGHTING DEVICE**
- (71) Applicant: **Black & Decker Inc.**, New Britain, CT (US)
- (72) Inventors: **Liu Chao Lien**, Taichung (TW); **Tylan A. Tschopp**, Baltimore, MD (US)
- (73) Assignee: **BLACK & DECKER INC.**, New Britain, CT (US)
- (**) Term: **15 Years**
- (21) Appl. No.: **29/660,979**
- (22) Filed: **Aug. 23, 2018**
- (51) **LOC (13) Cl.** **26-02**
- (52) **U.S. Cl.**
USPC **D26/45**
- (58) **Field of Classification Search**
USPC D26/37-51
CPC F21L 2003/00; F21L 4/00; F21L 4/005;
F21L 4/02; F21L 4/025; F21L 4/027;
F21L 4/04; F21L 4/08; F21L 7/00; F21L
11/00; F21L 13/00; F21L 13/04; F21L
13/08; F21L 14/02; F21L 17/00; F21L
19/00; F21L 25/00
See application file for complete search history.

- D621,979 S * 8/2010 Hesse D26/45
 - D628,326 S * 11/2010 Ng D26/45
 - D634,462 S * 3/2011 Baker D26/45
 - D641,220 S * 7/2011 Shi D8/29.1
 - D646,816 S * 10/2011 Wang D26/45
 - D662,240 S * 6/2012 Inskeep D26/45
 - D673,705 S * 1/2013 Inskeep D26/45
- (Continued)

OTHER PUBLICATIONS

homedepot.com: Black+Decker 5-Watt LED Plus USB Lithium-Ion Rechargeable Camo Spotlight. Undated online product page. Retrieved on Nov. 18, 2020 from <<https://www.homedepot.com/p/BLACK-DECKER-5-Watt-LED-Plus-USB-Lithium-Ion-Rechargeable-Camo-Spotlight-LIONLEDBC/308758899>> (Year: 2020).*

Primary Examiner — Sheryl Lane
Assistant Examiner — Calvin E Vansant
(74) *Attorney, Agent, or Firm* — Adan Ayala

(57) **CLAIM**

The ornamental design for a lighting device, as shown and described.

DESCRIPTION

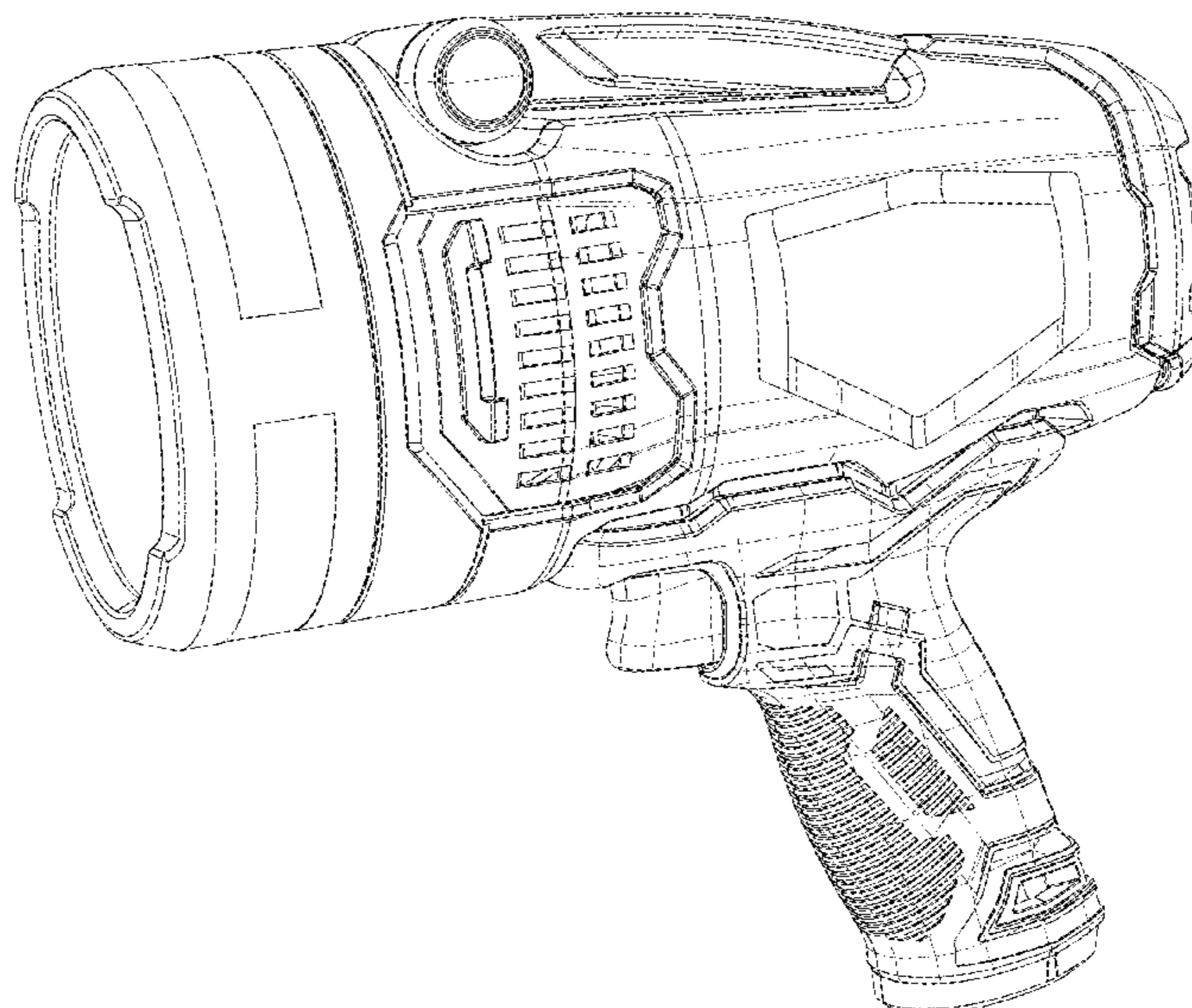
FIG. 1 is a front perspective view of a lighting device according to the invention.
FIG. 2 is a front view of the lighting device of FIG. 1.
FIG. 3 is a rear view of the lighting device of FIG. 1.
FIG. 4 is a left side view of the lighting device of FIG. 1.
FIG. 5 is a right side view of the lighting device of FIG. 1.
FIG. 6 is a top plan view of the lighting device of FIG. 1.
FIG. 7 is a bottom plan view of the lighting device of FIG. 1; and,
FIG. 8 is a rear perspective view of the lighting device of FIG. 1.
The broken lines are for the purpose of illustrating portions of the lighting device that form no part of the claimed design.

1 Claim, 8 Drawing Sheets

(56) **References Cited**

U.S. PATENT DOCUMENTS

- D506,278 S * 6/2005 Dayan D26/45
- D518,214 S * 3/2006 Krieger D26/45
- D518,215 S * 3/2006 Krieger D26/45
- D519,235 S * 4/2006 Krieger D26/45
- D522,153 S * 5/2006 Krieger D26/45
- D525,735 S * 7/2006 Krieger D26/45
- D532,136 S * 11/2006 Krieger D26/45
- D532,541 S * 11/2006 Krieger D26/45
- D603,540 S * 11/2009 Shum D26/45
- D605,796 S * 12/2009 Crawford D26/45
- D618,837 S * 6/2010 Leung D26/45



(56)

References Cited

U.S. PATENT DOCUMENTS

D673,707	S	*	1/2013	Inskeep	D26/45
D683,490	S	*	5/2013	Lee	D26/45
D700,384	S	*	2/2014	Lee	D26/45
D702,383	S	*	4/2014	Inskeep	D26/45
D711,029	S	*	8/2014	Schnell	D26/45
D711,574	S	*	8/2014	Shen	D26/45
D748,310	S	*	1/2016	Inskeep	D26/45
D754,380	S	*	4/2016	Inskeep	D26/45
D754,381	S	*	4/2016	Inskeep	D26/45
D782,091	S	*	3/2017	Inskeep	D26/45
D788,341	S	*	5/2017	Inskeep	D26/45
D833,049	S	*	11/2018	Yu	D26/45
D849,296	S	*	5/2019	Inskeep	D26/45
D896,419	S	*	9/2020	Clark	D26/45
D896,420	S	*	9/2020	Inskeep	D26/45
D896,603	S	*	9/2020	Tschopp	D8/68
D897,017	S	*	9/2020	Inskeep	D26/45
D897,176	S	*	9/2020	Tschopp	D8/68
D897,177	S	*	9/2020	Tschopp	D8/68
D899,208	S	*	10/2020	Thompson	D8/68
D899,209	S	*	10/2020	Thompson	D8/68
D899,210	S	*	10/2020	Thompson	D8/68

* cited by examiner

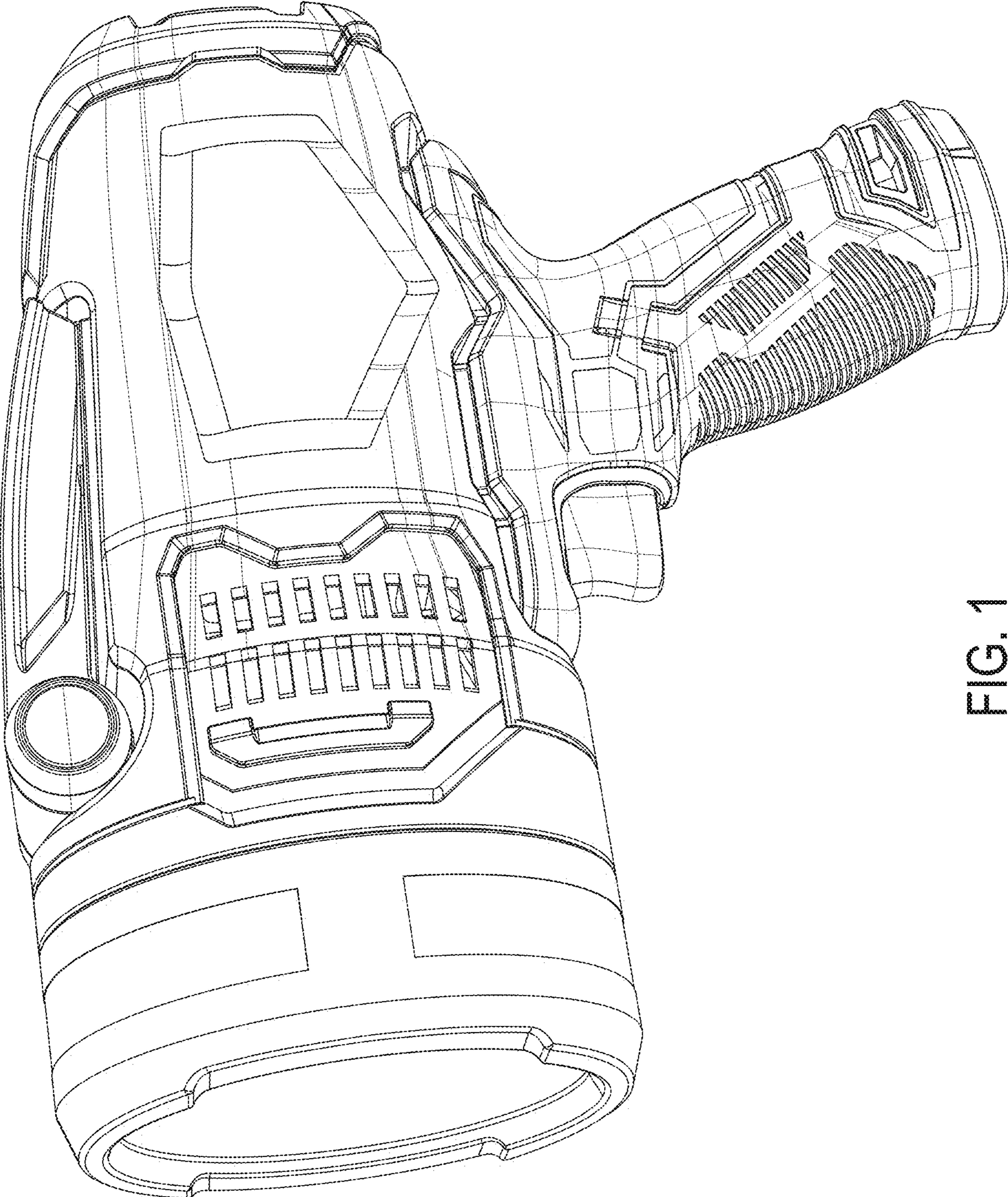


FIG. 1

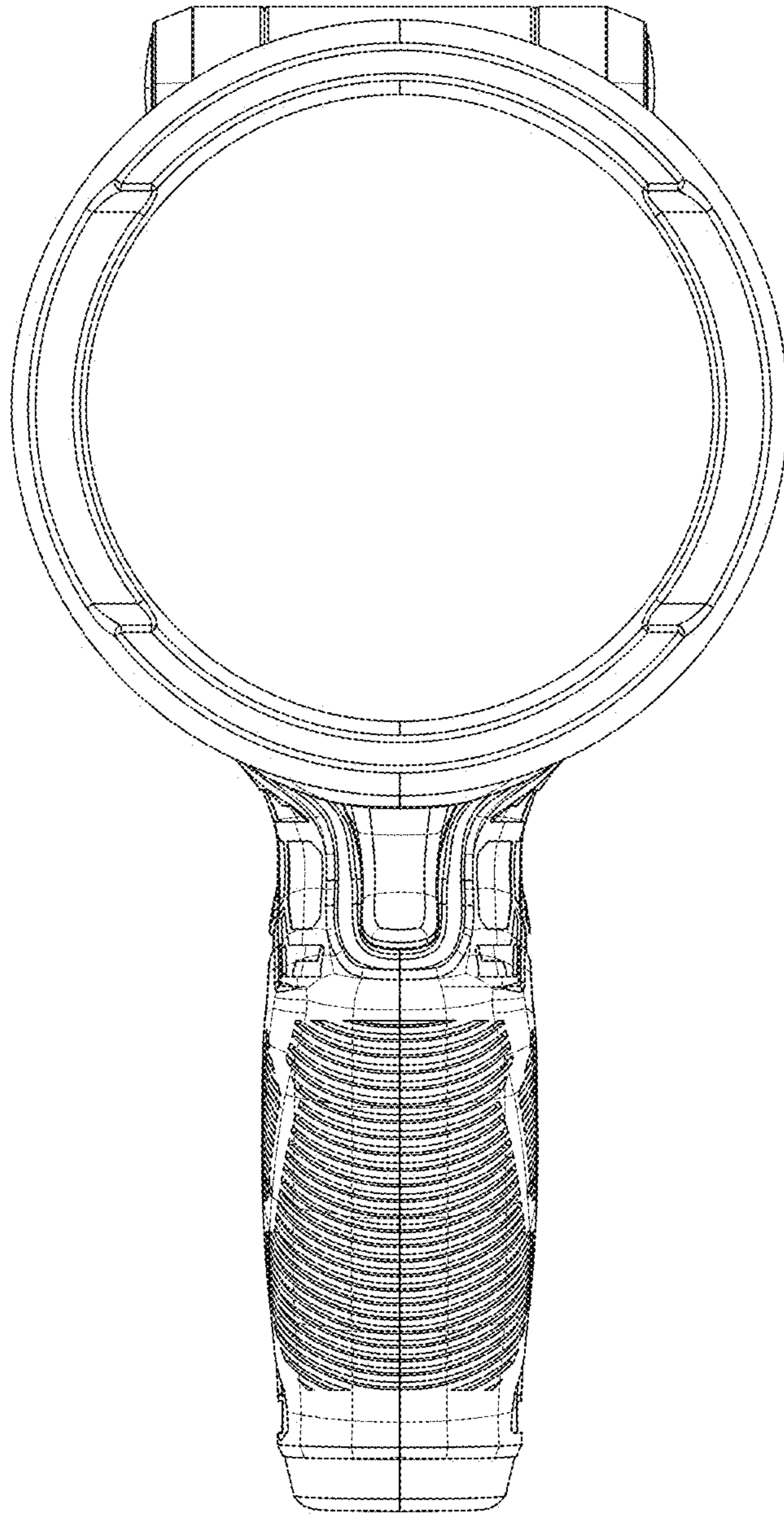


FIG. 2

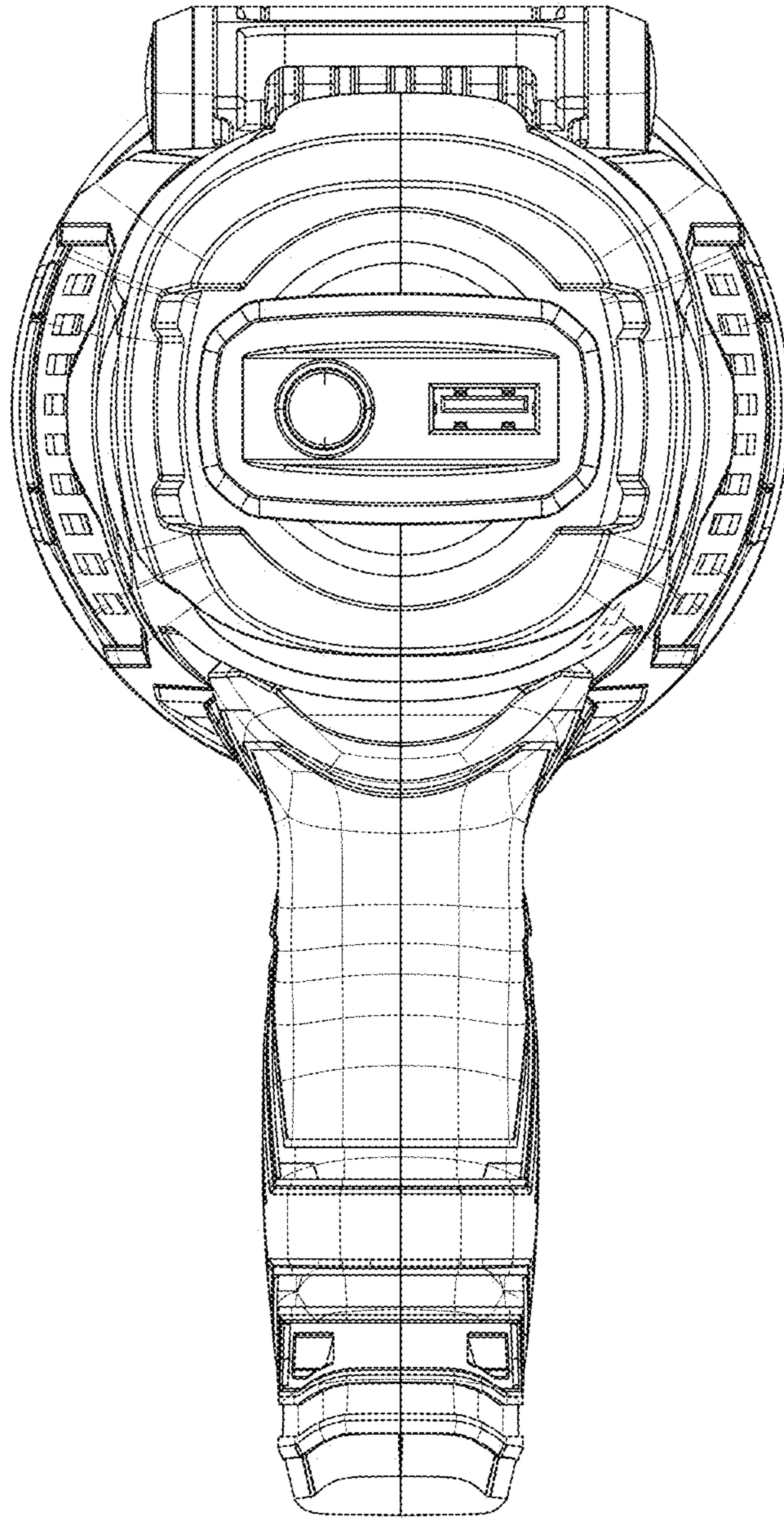


FIG. 3

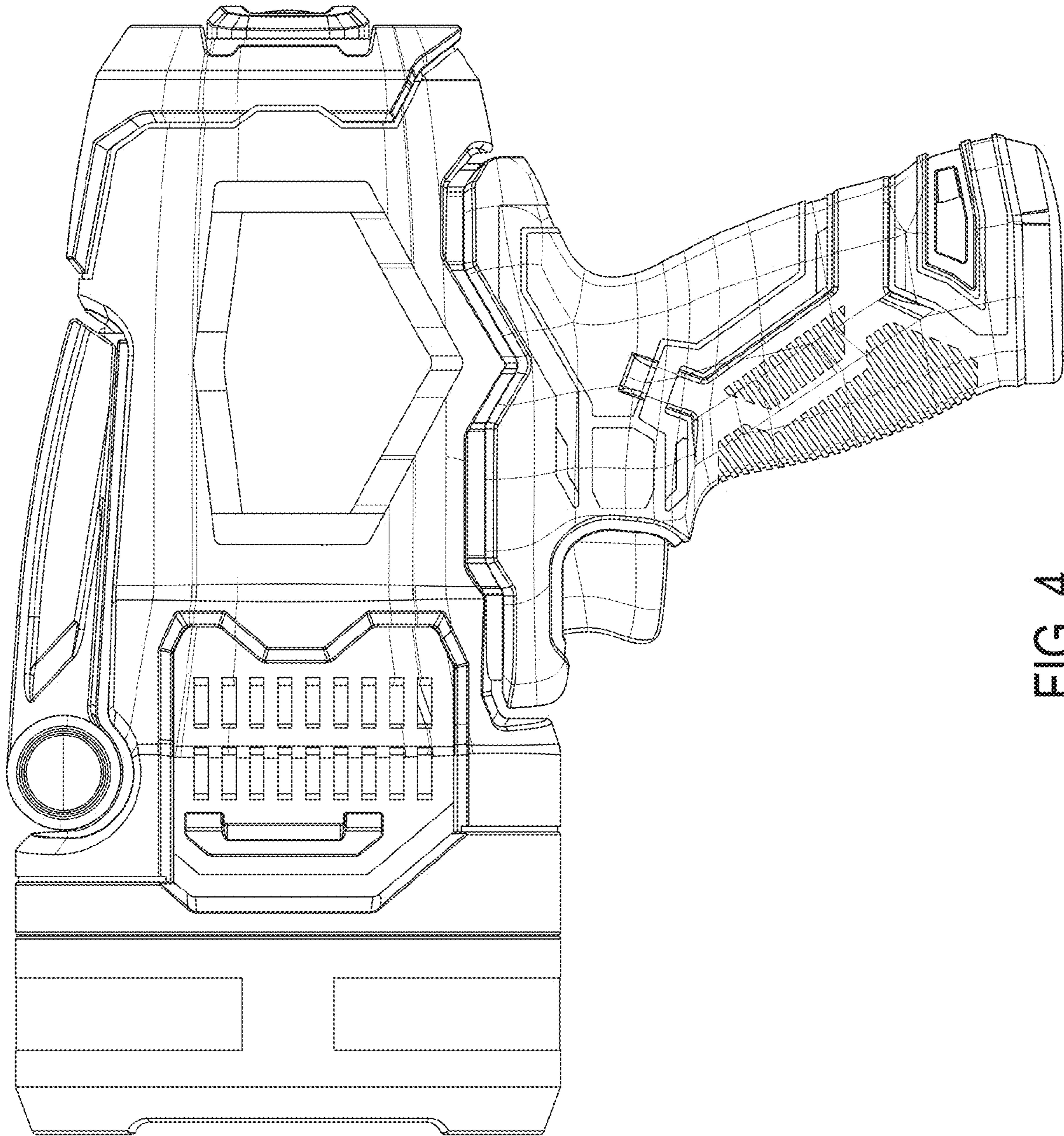


FIG. 4

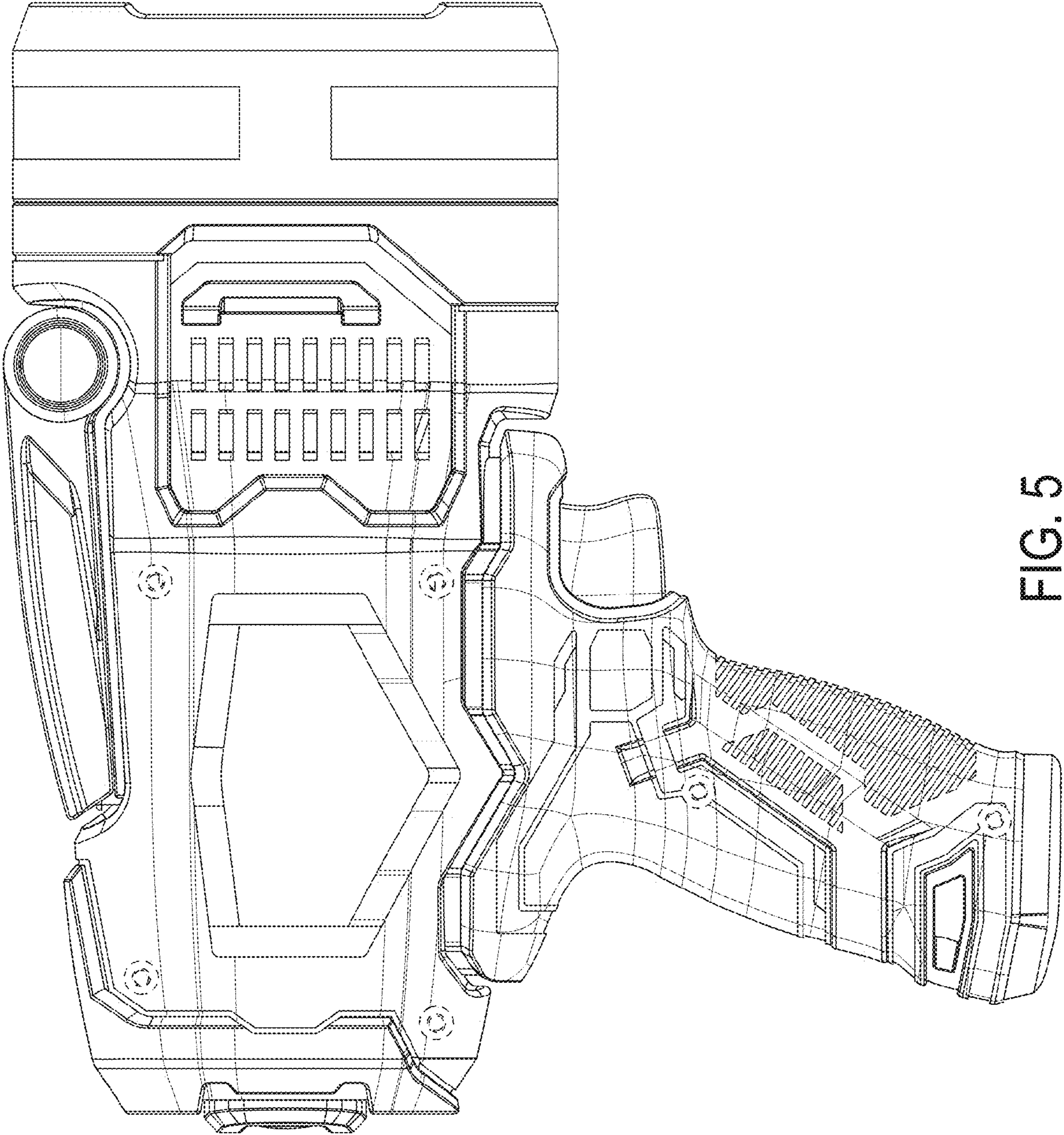


FIG. 5

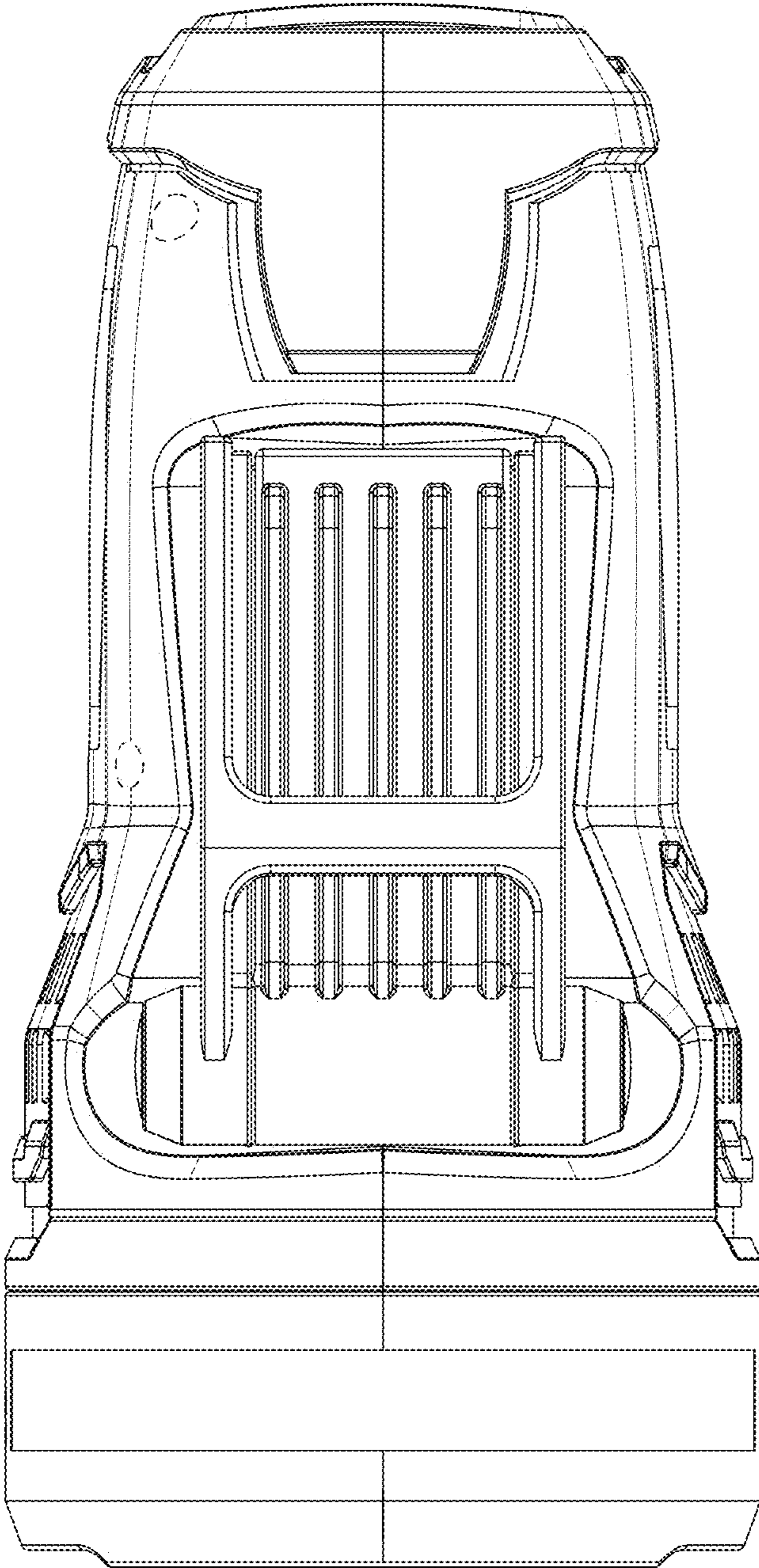


FIG. 6

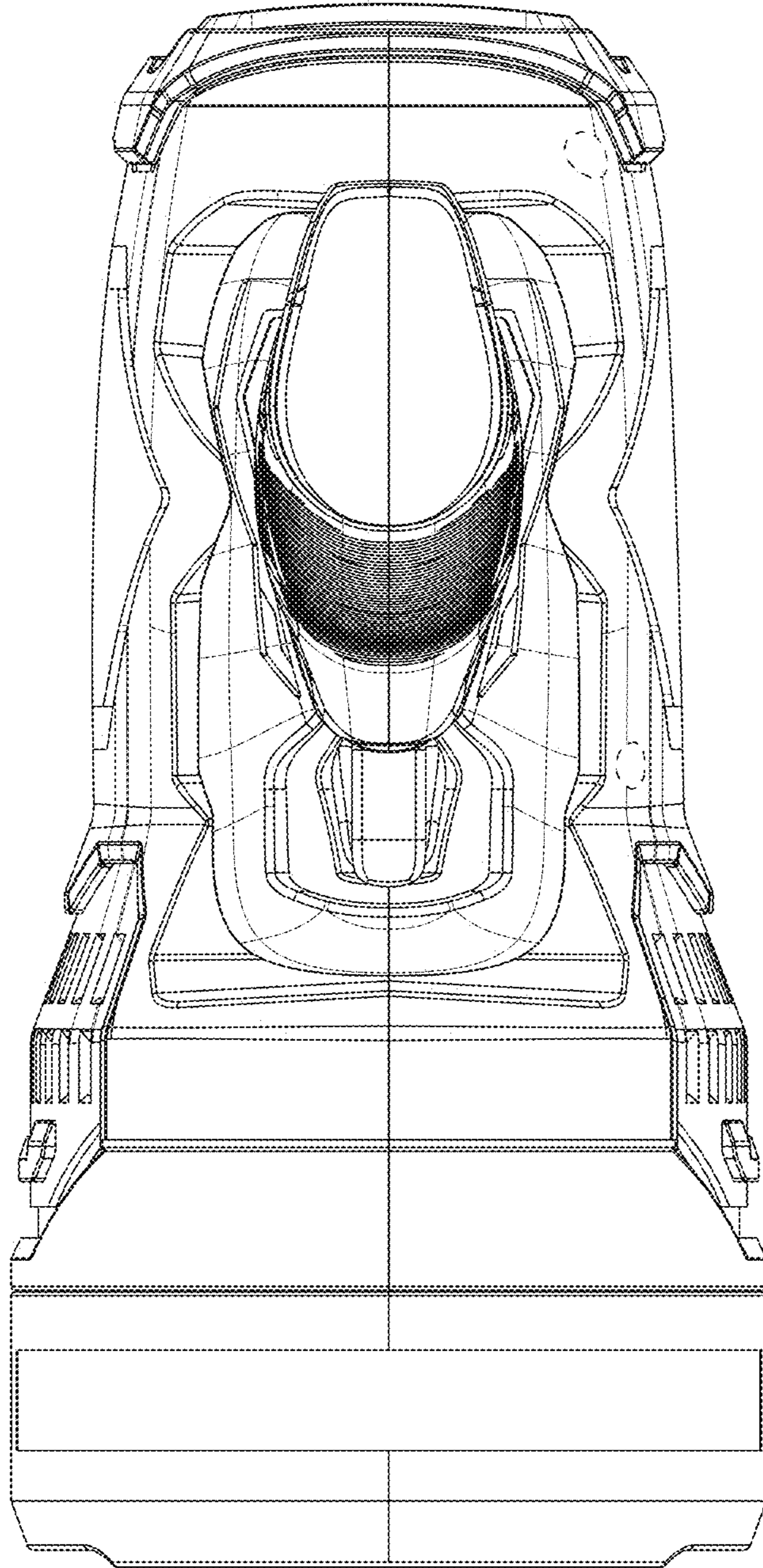


FIG. 7

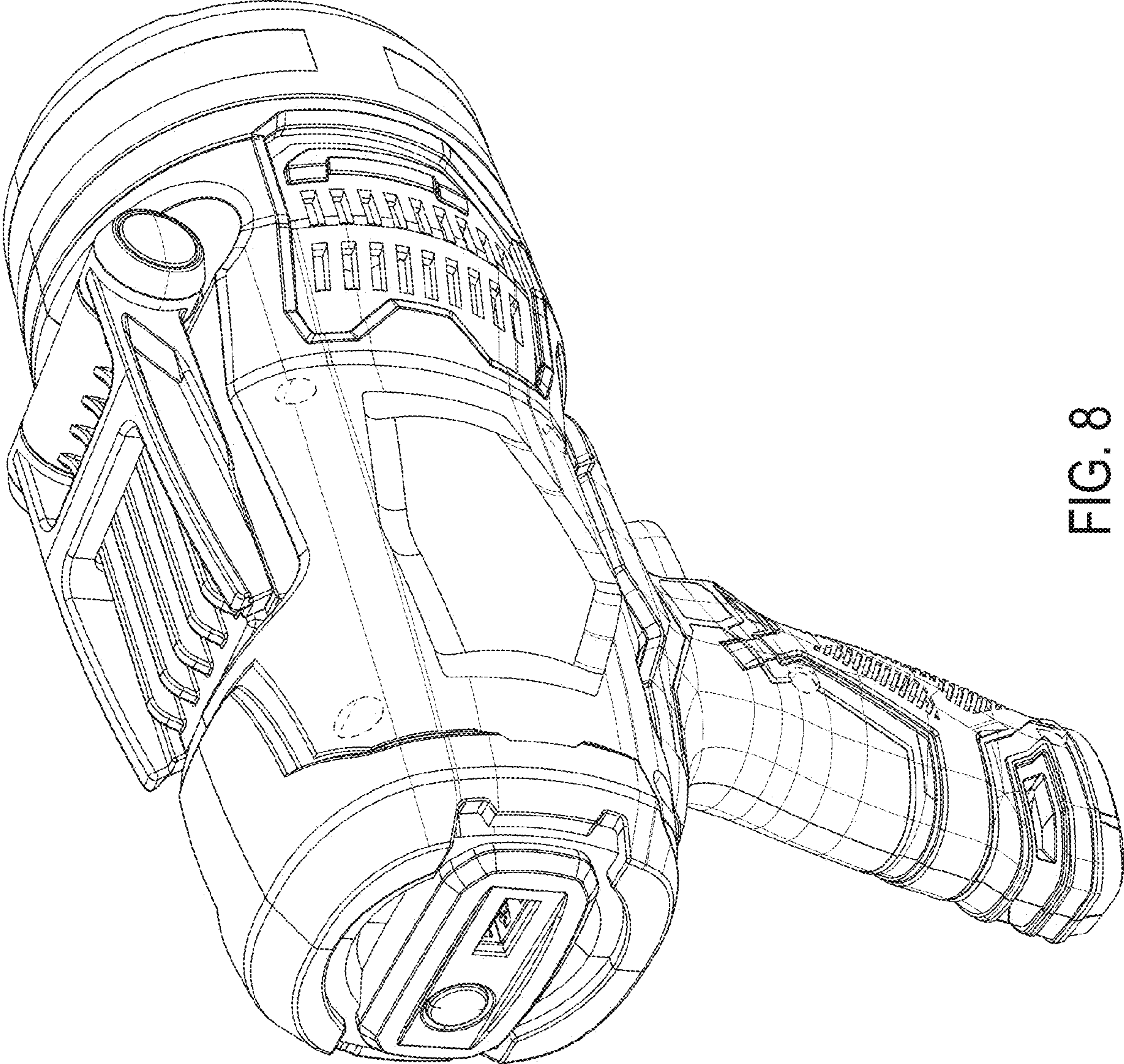


FIG. 8