



US00D923839S

(12) **United States Design Patent**
Tschopp

(10) **Patent No.:** **US D923,839 S**
(45) **Date of Patent:** **** Jun. 29, 2021**

(54) **LIGHTING DEVICE**

(71) Applicant: **Black & Decker Inc.**, New Britain, CT (US)

(72) Inventor: **Tylan A. Tschopp**, Baltimore, MD (US)

(73) Assignee: **BLACK & DECKER INC.**, New Britain, CT (US)

(**) Term: **15 Years**

(21) Appl. No.: **29/660,975**

(22) Filed: **Aug. 23, 2018**

(51) **LOC (13) Cl.** **26-02**

(52) **U.S. Cl.**
USPC **D26/45**

(58) **Field of Classification Search**
USPC D26/37-51
CPC F21L 2003/00; F21L 4/00; F21L 4/005;
F21L 4/02; F21L 4/025; F21L 4/027;
F21L 4/04; F21L 4/08; F21L 7/00; F21L
11/00; F21L 13/00; F21L 13/04; F21L
13/08; F21L 14/02; F21L 17/00; F21L
19/00; F21L 25/00
See application file for complete search history.

(56) **References Cited**

U.S. PATENT DOCUMENTS

D506,278 S *	6/2005	Dayan	D26/45
D518,214 S *	3/2006	Krieger	D26/45
D518,215 S *	3/2006	Krieger	D26/45
D519,235 S *	4/2006	Krieger	D26/45
D522,153 S *	5/2006	Krieger	D26/45
D525,735 S *	7/2006	Krieger	D26/45
D532,136 S *	11/2006	Krieger	D26/45
D532,541 S *	11/2006	Krieger	D26/45
D603,540 S *	11/2009	Shum	D26/45
D605,796 S *	12/2009	Crawford	D26/45
D618,837 S *	6/2010	Leung	D26/45

D621,979 S *	8/2010	Hesse	D26/45
D628,326 S *	11/2010	Ng	D26/45
D634,462 S *	3/2011	Baker	D26/45
D641,220 S *	7/2011	Shi	D8/29.1
D646,816 S *	10/2011	Wang	D26/45
D662,240 S *	6/2012	Inskeep	D26/45
D673,705 S *	1/2013	Inskeep	D26/45
D673,707 S *	1/2013	Inskeep	D26/45
D683,490 S *	5/2013	Lee	D26/45
D700,384 S *	2/2014	Lee	D26/45
D702,383 S *	4/2014	Inskeep	D26/45

(Continued)

OTHER PUBLICATIONS

Ibspot.com: Black+Decker WPAK5B 500 Lumen Waterproof 5W LED Spotlight. Undated online product page. Retrieved on Nov. 18, 2020 from <<https://ibspot.com/black-decker-wpak5b-500-lumen-waterproof-5w-led-spotlight-flashlight-alkaline-battery-powered/?sku=923915363F7961EC6VH7V&gclid=...>> (Year: 2020).*

Primary Examiner — Leanne Was-Englehart

(74) *Attorney, Agent, or Firm* — Adan Ayala

(57) **CLAIM**

The ornamental design for a lighting device, as shown and described.

DESCRIPTION

FIG. 1 is a front perspective view of a lighting device according to the invention.

FIG. 2 is a front view of the lighting device of FIG. 1.

FIG. 3 is a rear view of the lighting device of FIG. 1.

FIG. 4 is a left side view of the lighting device of FIG. 1.

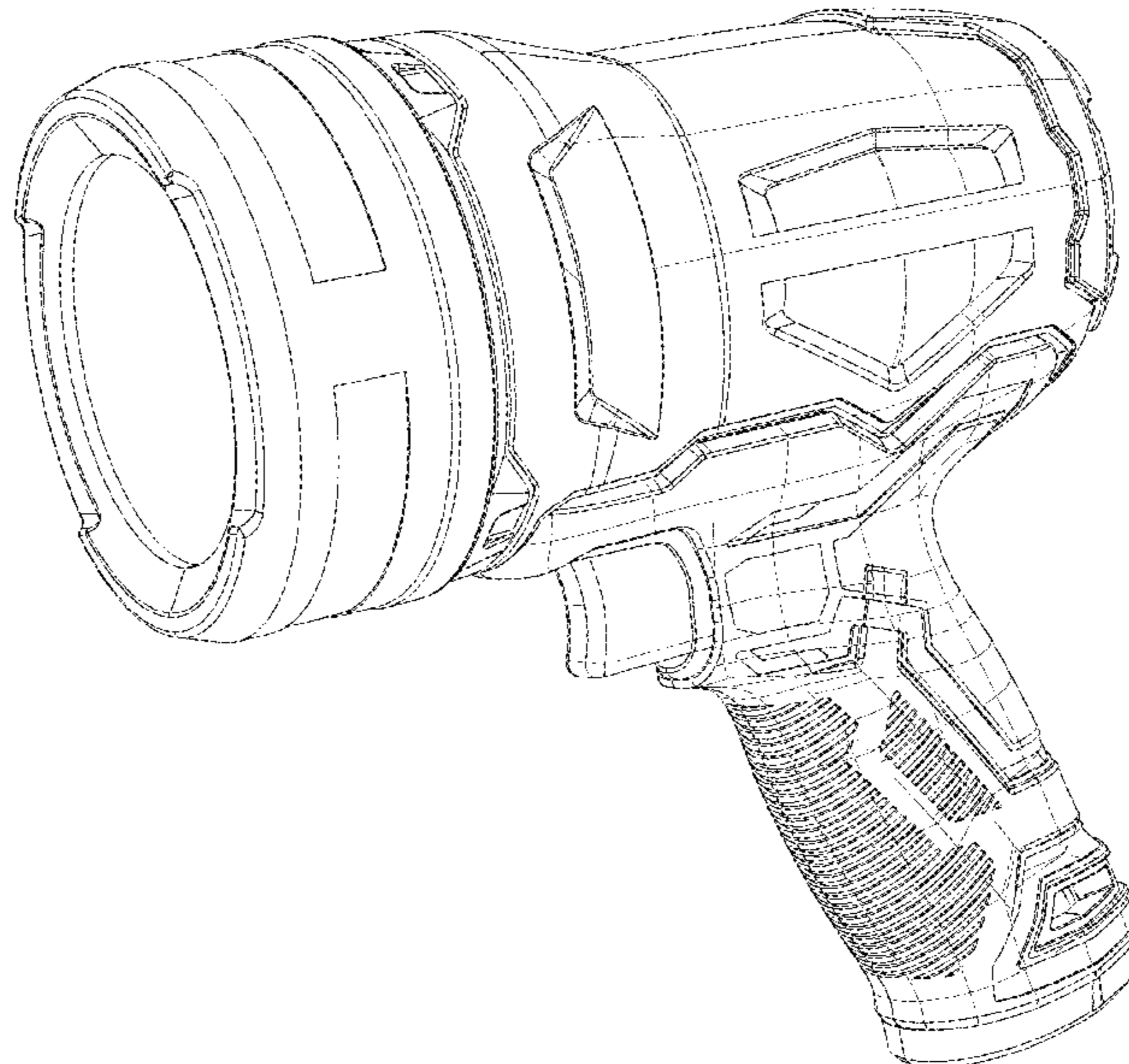
FIG. 5 is a right side view of the lighting device of FIG. 1.

FIG. 6 is a top plan view of the lighting device of FIG. 1.

FIG. 7 is a bottom plan view of the lighting device of FIG. 1; and,

FIG. 8 is a rear perspective view of the lighting device of FIG. 1.

1 Claim, 8 Drawing Sheets



(56)

References Cited

U.S. PATENT DOCUMENTS

D711,029	S	*	8/2014	Schnell	D26/45
D711,574	S	*	8/2014	Shen	D26/45
D748,310	S	*	1/2016	Inskeep	D26/45
D754,380	S	*	4/2016	Inskeep	D26/45
D754,381	S	*	4/2016	Inskeep	D26/45
D782,091	S	*	3/2017	Inskeep	D26/45
D788,341	S	*	5/2017	Inskeep	D26/45
D833,049	S	*	11/2018	Yu	D26/45
D849,296	S	*	5/2019	Inskeep	D26/45
D896,419	S	*	9/2020	Clark	D26/45
D896,420	S	*	9/2020	Inskeep	D26/45
D896,603	S	*	9/2020	Tschopp	D8/68
D897,017	S	*	9/2020	Inskeep	D26/45
D897,176	S	*	9/2020	Tschopp	D8/68
D897,177	S	*	9/2020	Tschopp	D8/68
D899,208	S	*	10/2020	Thompson	D8/68
D899,209	S	*	10/2020	Thompson	D8/68
D899,210	S	*	10/2020	Thompson	D8/68

* cited by examiner

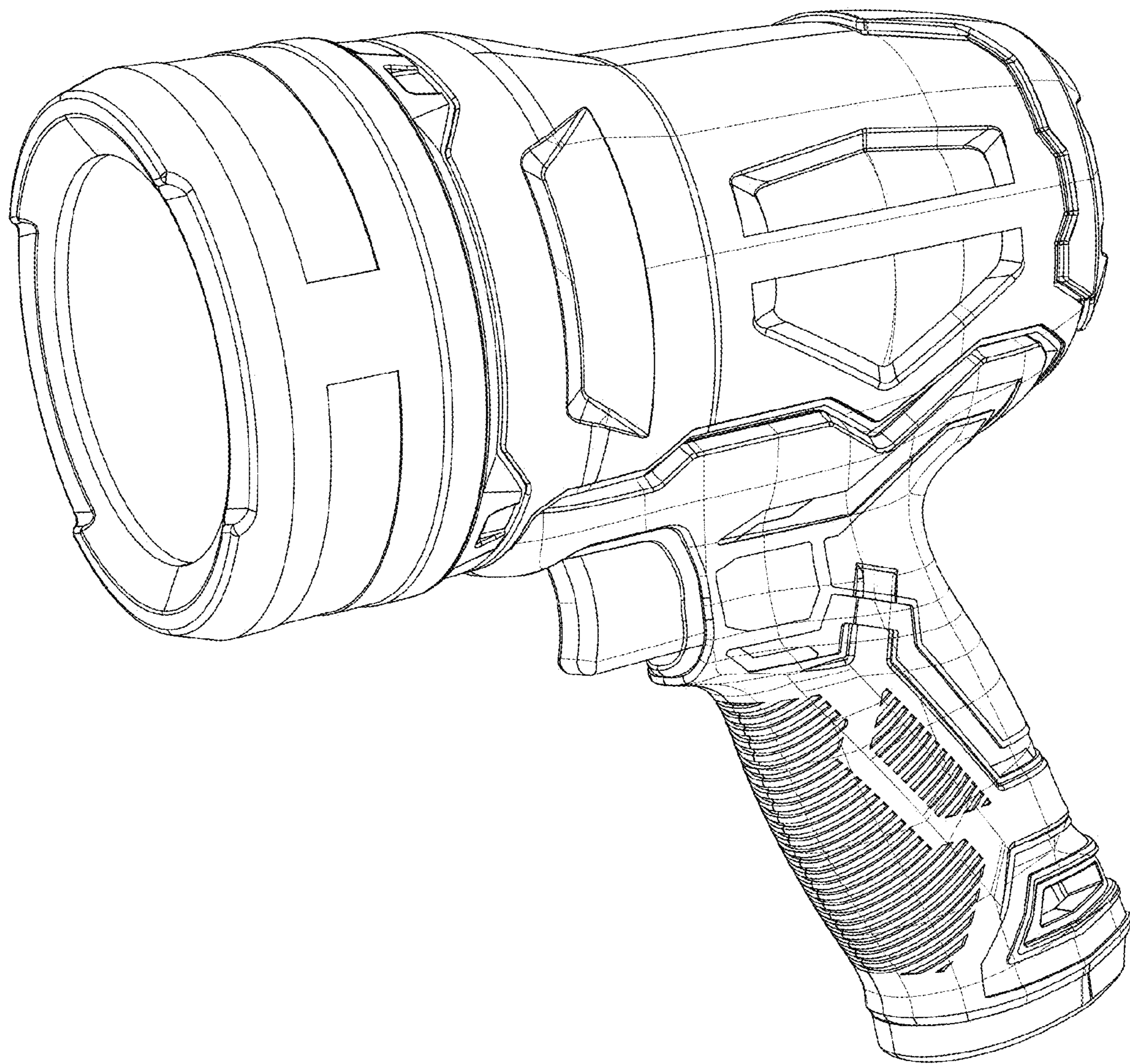


FIG. 1

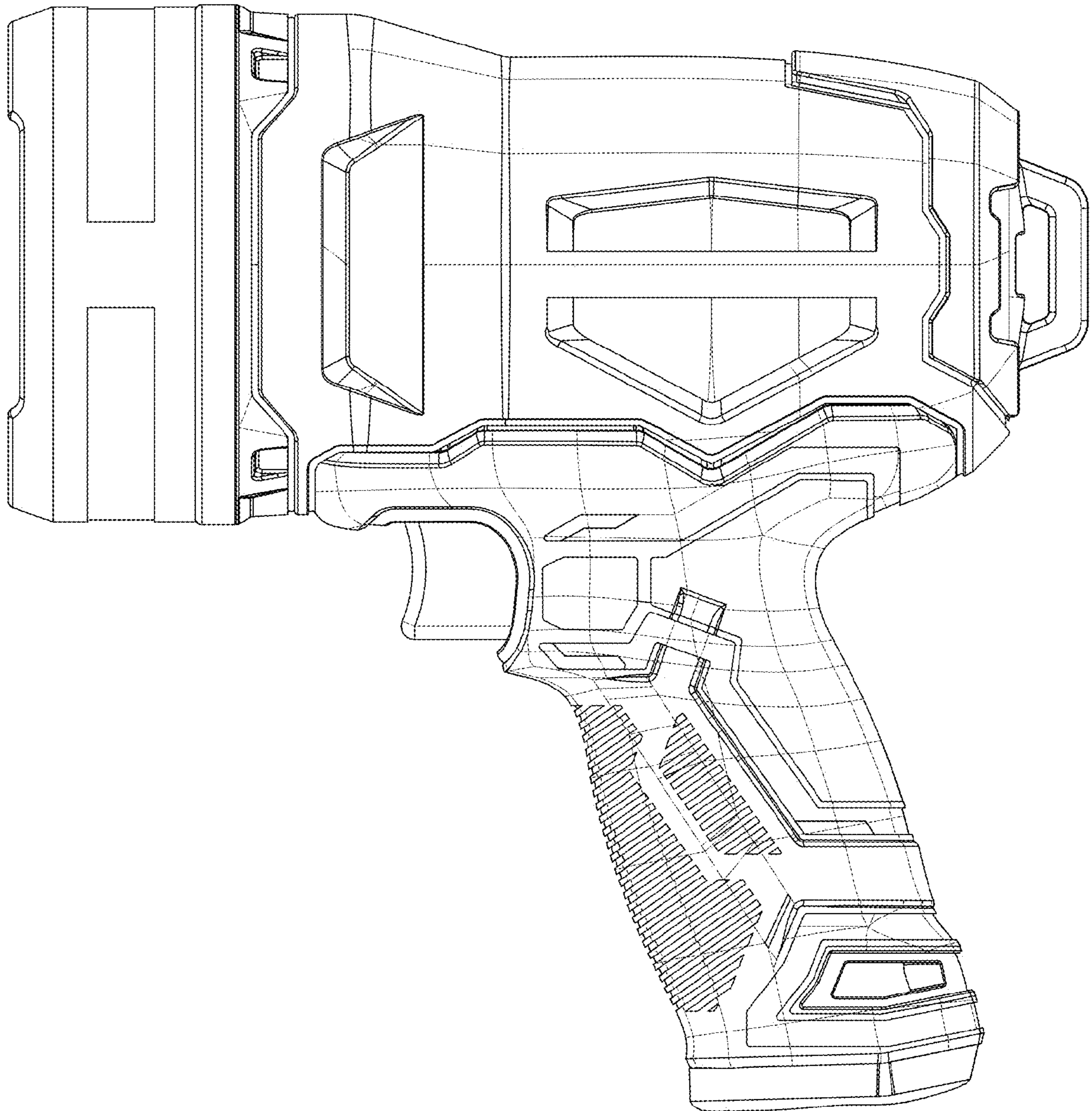


FIG. 2

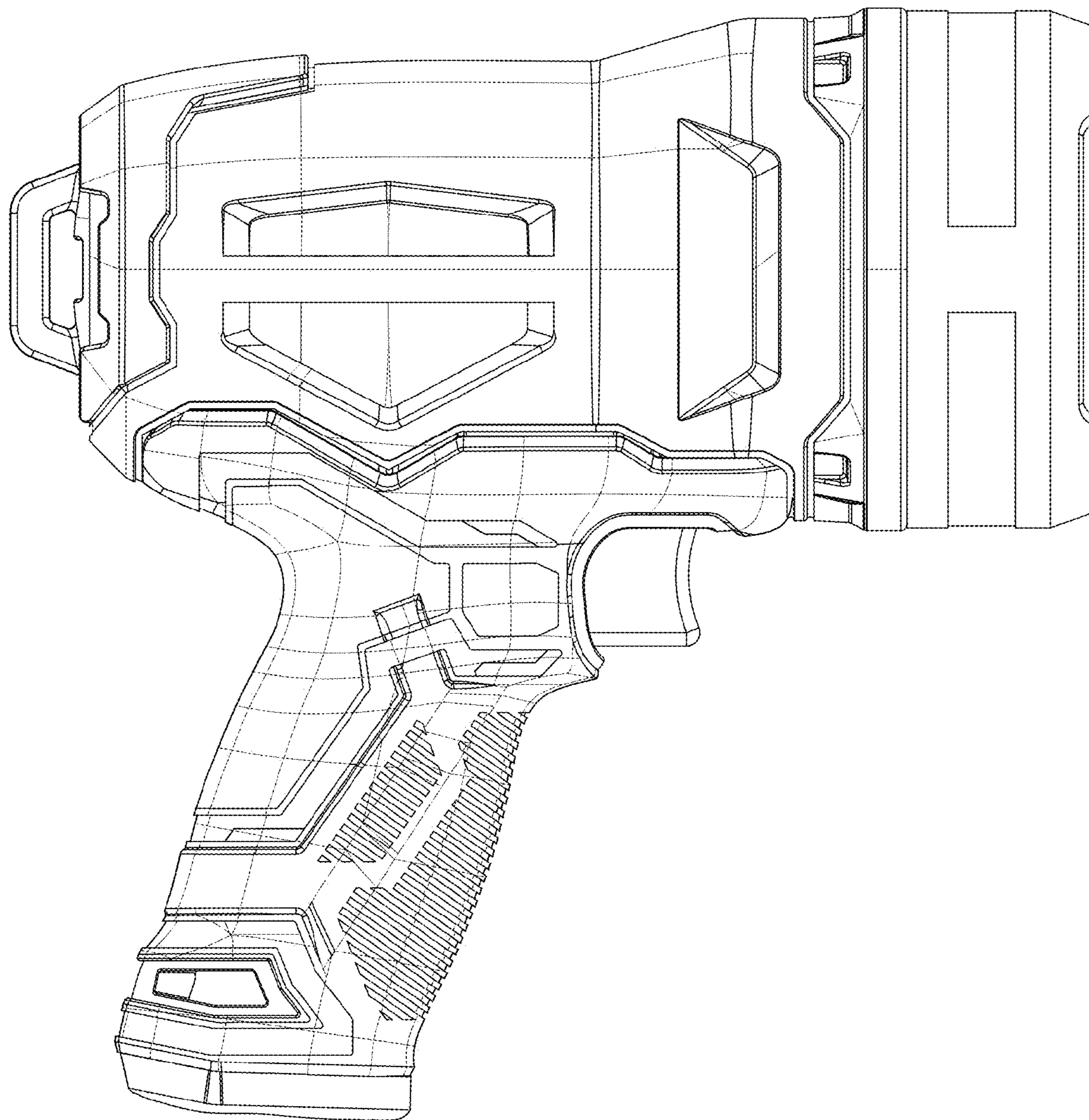


FIG. 3

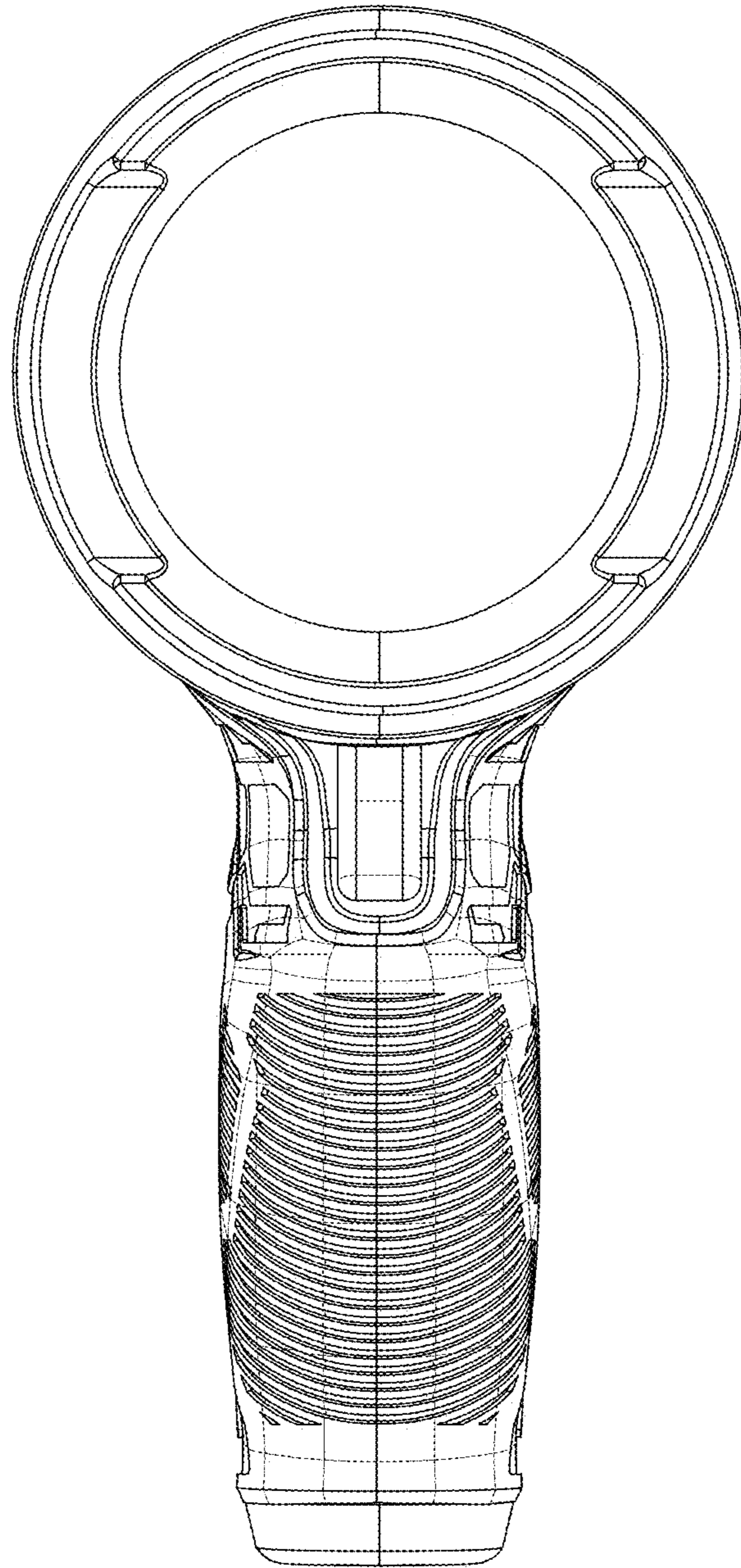


FIG. 4

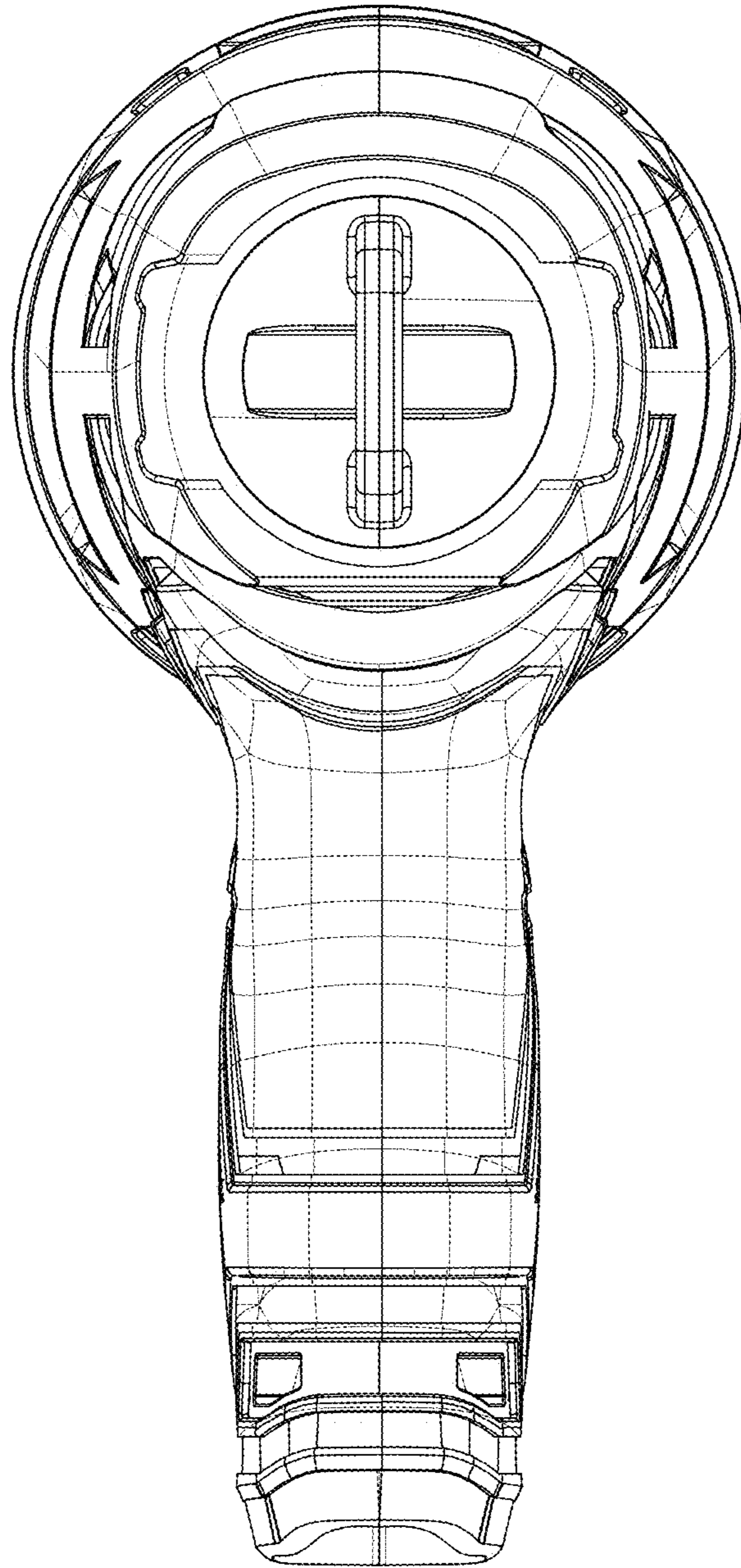


FIG. 5

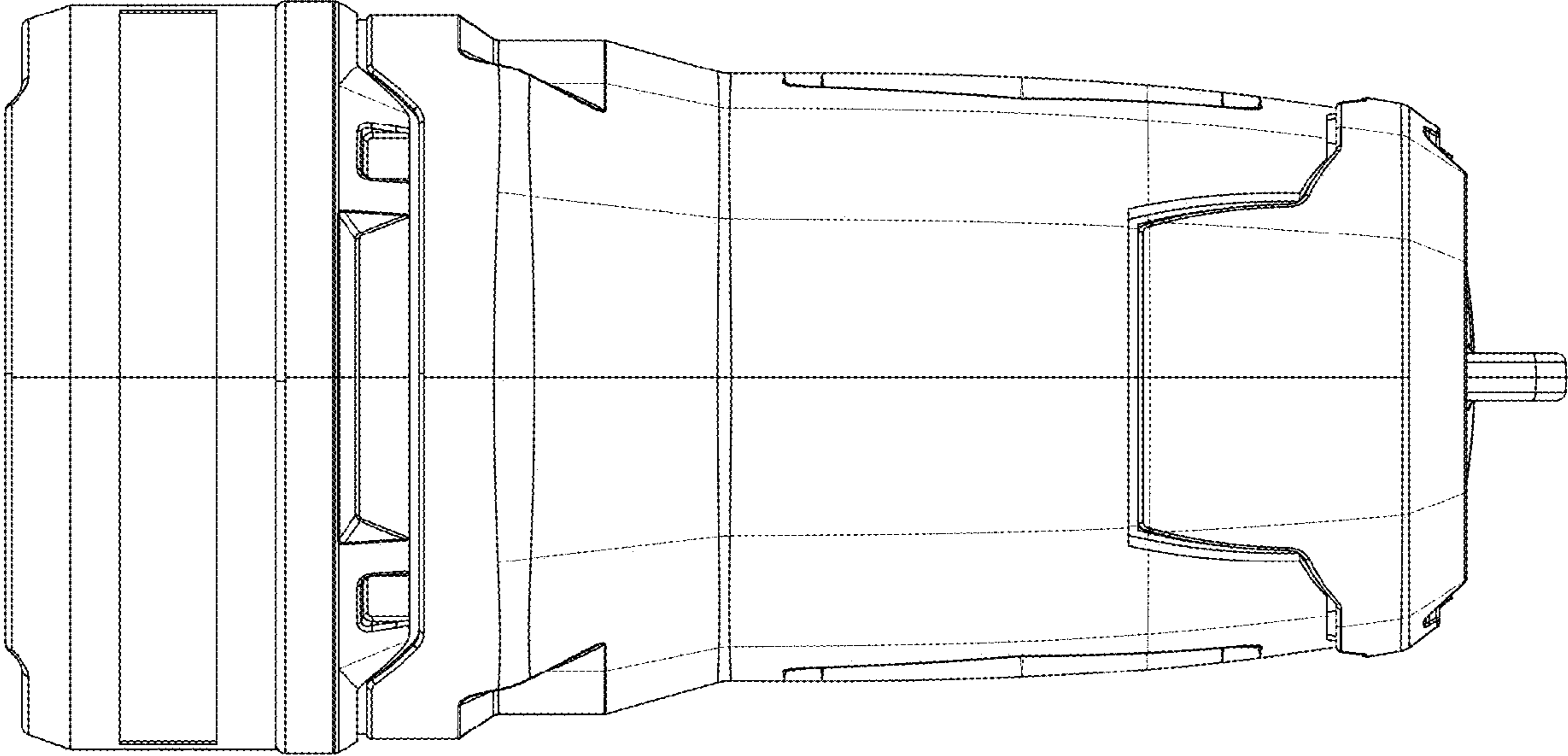


FIG. 6

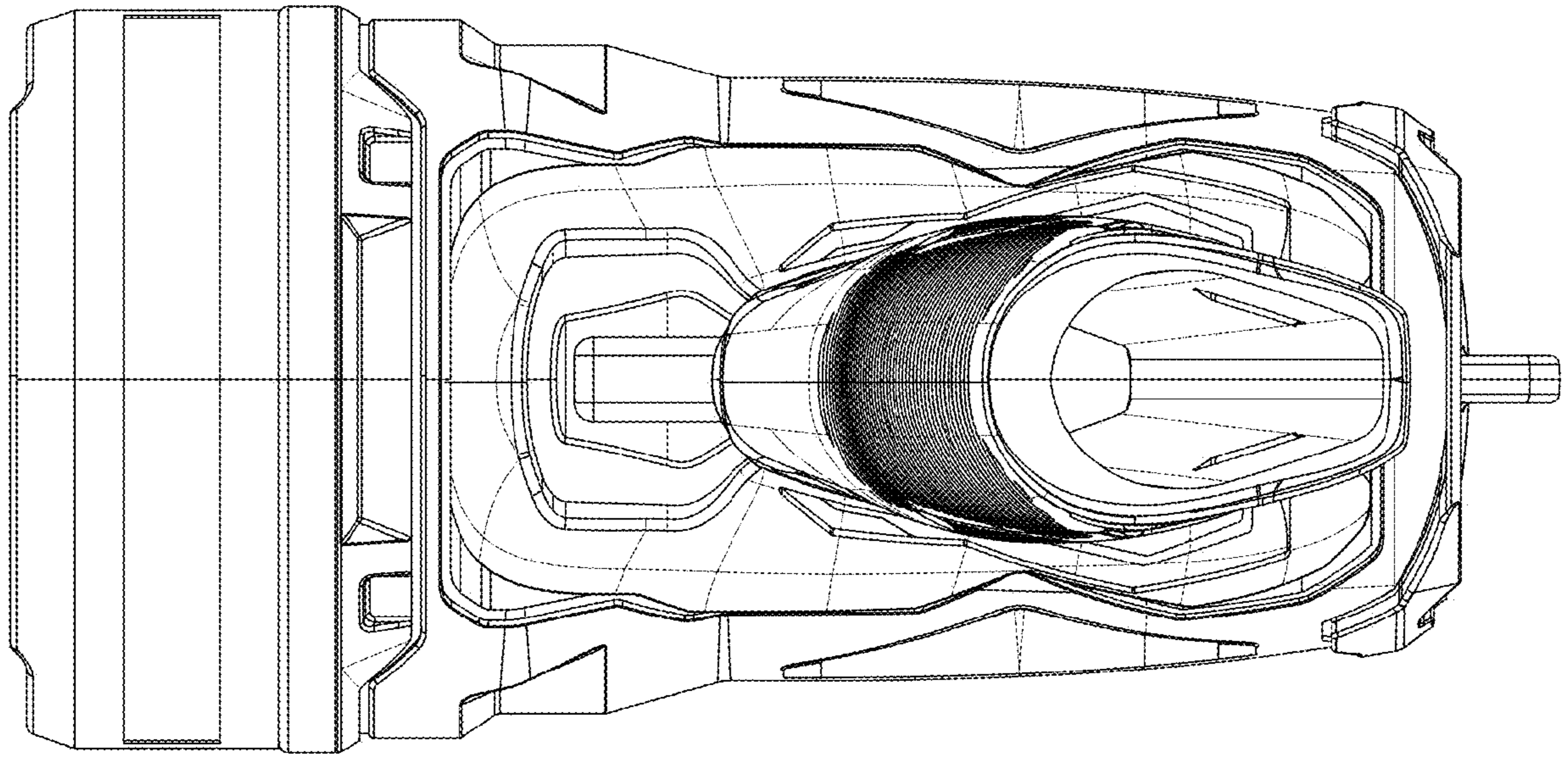


FIG. 7

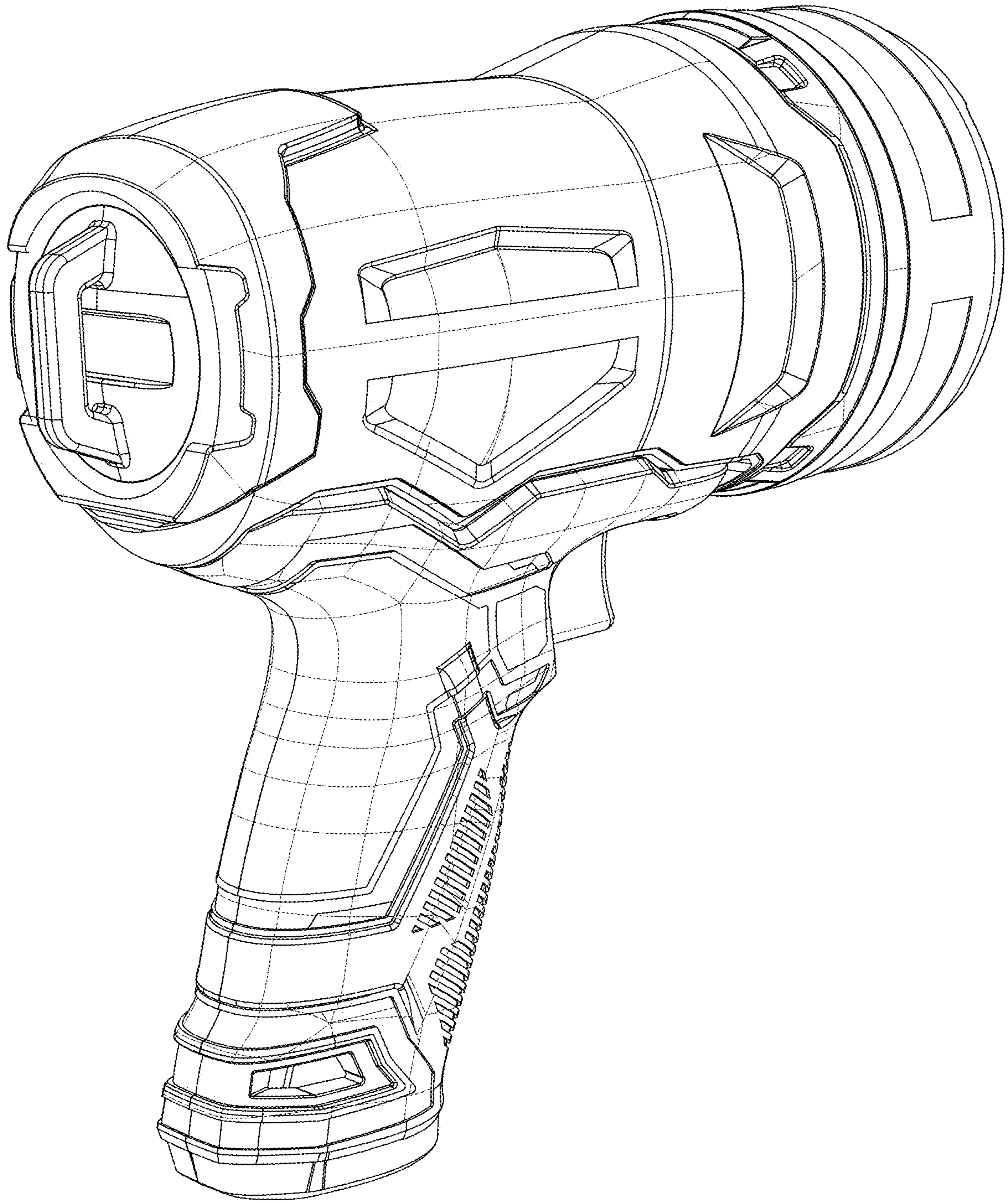


FIG. 8