

US00D923838S

(12) **United States Design Patent**
Qiu

(10) **Patent No.:** **US D923,838 S**

(45) **Date of Patent:** **** Jun. 29, 2021**

(54) **SWIVEL LIGHT**

(71) Applicant: **NINGBO FUTAI ELECTRIC LIMITED**, Zhejiang (CN)

(72) Inventor: **Fujun Qiu**, Ningbo (CN)

(73) Assignee: **NINGBO FUTAI ELECTRIC LIMITED**, Zhejiang (CN)

(**) Term: **15 Years**

(21) Appl. No.: **29/669,539**

(22) Filed: **Nov. 8, 2018**

(51) **LOC (13) Cl.** **26-02**

(52) **U.S. Cl.**
USPC **D26/44**

(58) **Field of Classification Search**
USPC D26/37-38, 40-42, 44, 46, 49-51
CPC F21K 9/20; H01R 13/717; F21V 23/008;
F21L 4/027; F21L 4/00; F21L 4/005;
F21L 4/02; F21L 4/022; F21L 4/025;
F21L 4/04; F21L 4/045; F21L 4/08; F21L
4/085; F21L 2003/00; F21L 14/02
See application file for complete search history.

(56) **References Cited**

U.S. PATENT DOCUMENTS

1,820,960	A *	9/1931	Cunningham	F21L 4/045 362/197
1,832,563	A *	11/1931	Kuhn	F21L 15/06 362/197
2,259,673	A *	10/1941	White	F21V 19/02 362/197
5,043,854	A *	8/1991	Gammache	F21L 15/06 362/197
D332,320	S *	1/1993	Gammache	D26/44
D360,702	S *	7/1995	Bamber	D26/44
D373,211	S *	8/1996	Heun	D26/44
D375,811	S *	11/1996	Hon	D26/44

(Continued)

OTHER PUBLICATIONS

staples.com: Dorcy 6.25" LED Angle-Head Flashlight. Undated online product page. Retrieved on Nov. 30, 2020 from <https://www.staples.com/Dorcy-15-Hour-9-LED-Flashlight-With-Angle-Head/product_209952?ci_src=17588969&ci_sku=209952&KPID=209952&cid=. . . > (Year: 2020).*

(Continued)

Primary Examiner — Marcus A Jackson

Assistant Examiner — Stacey L Hopkins

(74) *Attorney, Agent, or Firm* — Raymond Y. Chan;
David and Raymond Patent Firm

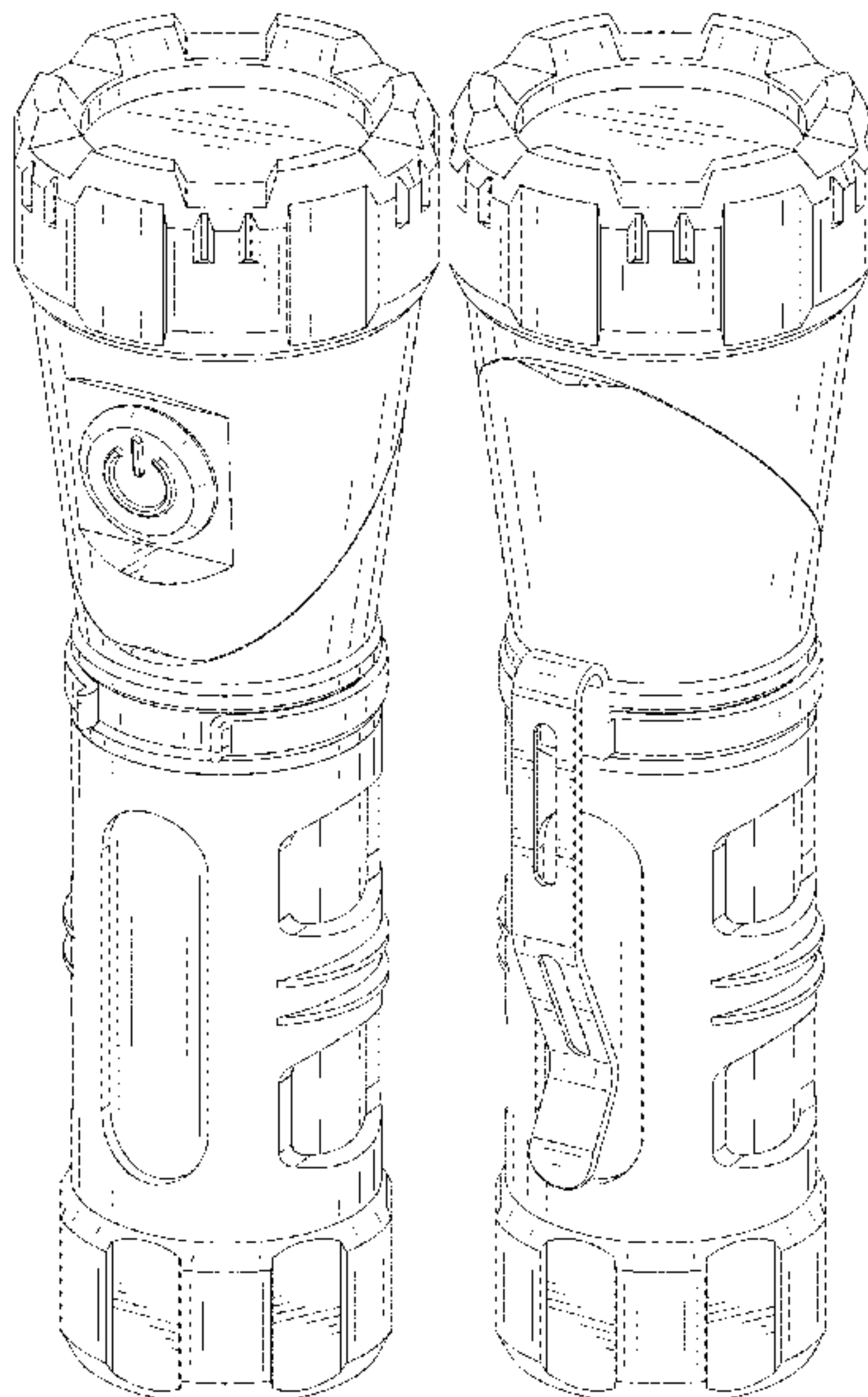
(57) **CLAIM**

The ornamental design for a swivel light, as shown and described.

DESCRIPTION

FIG. 1 is a front view of the swivel light of my new design; FIG. 2 is a rear view thereof; FIG. 3 is a left view thereof; FIG. 4 is a right view thereof; FIG. 5 is a top view thereof; FIG. 6 is a bottom view thereof; FIG. 7 is a front perspective view thereof; FIG. 8 is a rear perspective view thereof; FIG. 9 is a bottom perspective view thereof; FIG. 10 is a front perspective view thereof, illustrating a light head being rotated with respect to a handle; FIG. 11 is a bottom perspective view thereof, illustrating the light head being rotated with respect to the handle; FIG. 12 is a front perspective view thereof, illustrating the light head being rotated at 90° with respect to the handle; and, FIG. 13 is a bottom perspective view thereof, illustrating the light head being rotated at 90° with respect to the handle.

1 Claim, 13 Drawing Sheets



(56)

References Cited

U.S. PATENT DOCUMENTS

D378,434 S * 3/1997 Petterson D26/44
 D390,986 S * 2/1998 Yuen D26/44
 D403,447 S * 12/1998 Parsons D26/37
 D410,557 S * 6/1999 Petterson D26/44
 D428,175 S * 7/2000 Lynch D26/44
 D444,582 S * 7/2001 Poon D26/44
 6,457,841 B1 * 10/2002 Lynch F21L 4/045
 362/197
 D467,375 S * 12/2002 Lynch D26/44
 D481,482 S * 10/2003 Mah D26/37
 D499,501 S * 12/2004 Chan D26/42
 D499,826 S * 12/2004 Ping D26/44
 D500,154 S * 12/2004 Lee D26/42
 6,913,371 B2 * 7/2005 Ping F21L 4/045
 362/197
 D518,213 S * 3/2006 Ping D26/44
 7,172,310 B2 * 2/2007 Hsu F21L 4/045
 362/197
 D578,688 S * 10/2008 Kim D26/37
 D599,925 S * 9/2009 Kingston D26/44
 D605,795 S * 12/2009 Baker D26/44
 7,731,385 B2 * 6/2010 Spartano F21L 4/045
 362/197
 D620,161 S * 7/2010 Kang D26/45
 D639,476 S * 6/2011 Robinson D26/49
 D670,418 S * 11/2012 Lee D26/49
 D706,475 S * 6/2014 Lee D26/49
 D713,077 S * 9/2014 Hao D26/37
 D723,725 S * 3/2015 Asano D26/51
 D726,358 S * 4/2015 Young D26/49
 D767,184 S * 9/2016 Fitch D26/44
 D782,603 S * 3/2017 Fan D22/117
 D786,466 S * 5/2017 Prieto D26/49
 D833,050 S * 11/2018 Prieto D26/49
 D837,428 S * 1/2019 Arena D26/44
 10,378,744 B2 * 8/2019 Arena F21L 4/02
 D866,030 S * 11/2019 Bao D26/44
 D877,379 S * 3/2020 Qiu D26/49
 D899,648 S * 10/2020 Qiu D26/49
 D899,649 S * 10/2020 Qiu D26/49
 10,837,609 B2 * 11/2020 Sharrah F21L 4/045
 2008/0074868 A1 * 3/2008 Steele F21L 4/025
 362/184

2009/0091925 A1 * 4/2009 Hesse F21V 29/20
 362/187
 2009/0190339 A1 * 7/2009 Galli F21L 4/00
 362/205
 2009/0295310 A1 * 12/2009 Duerr F21L 4/025
 315/297
 2012/0274774 A1 * 11/2012 Bushee G11B 33/025
 348/158
 2016/0018071 A1 * 1/2016 Sharrah F21V 21/0885
 362/184
 2016/0040834 A1 * 2/2016 Inskeep F21L 4/04
 362/197
 2017/0089564 A1 * 3/2017 Miller F21V 15/01
 2017/0292659 A1 * 10/2017 Bayat F21V 23/0428
 2017/0307148 A1 * 10/2017 Sharrah F21V 5/008
 2019/0186722 A1 * 6/2019 Uke F21L 4/005
 2019/0242531 A1 * 8/2019 Qiu F21K 9/20
 2020/0173629 A1 * 6/2020 Li F21V 23/0421

OTHER PUBLICATIONS

homedepot.com: Twist 3AAA Pivoting LED Tactical Flashlight. Undated online product page. Retrieved on Nov. 30, 2020 from <<https://www.homedepot.com/p/Blackfire-Twist-3AAA-Pivoting-LED-Tactical-Flashlight-in-a-Giftbox-BBM980G/304112996?source=shoppingads&locale=en-US&mtc=. . .>> (Year: 2020).*

trailsman-supply.myshopify.com: Guard Dog Reflex 600L Flashlight w/Swivel Head. Undated online product page. Retrieved on Nov. 30, 2020 from <<https://trailsman-supply.myshopify.com/products/guard-dog-reflex-600l-flashlight-w-swivel-head-5-functions>> (Year: 2020).*

alibaba.com: 4 in 1 Versatile LED COB Multifunction Tool. Undated online product page. Retrieved on Nov. 30, 2020 from <https://www.alibaba.com/product-detail/4-in-1-versatile-led-cob_60728868227.html?spm=a2700.galleryofferlist.normal_offer.d_title.1bf031f2dPuZXT> (Year: 2020).*

amazon.co.uk: Cryket 3-in-1 Flashlight, Spotlight and Work Light. Date uploaded Oct. 27, 2017 [site visited Nov. 30, 2020]. Retrieved from internet, <https://www.amazon.co.uk/Cryket-Flashlight-Spotlight-Work-Light/dp/B076PQ2F6T/ref=sr_1_5?dchild=1&keywords=swivel+flashlight&qid=1606743407&sr=8-5> (Year: 2017).*

* cited by examiner

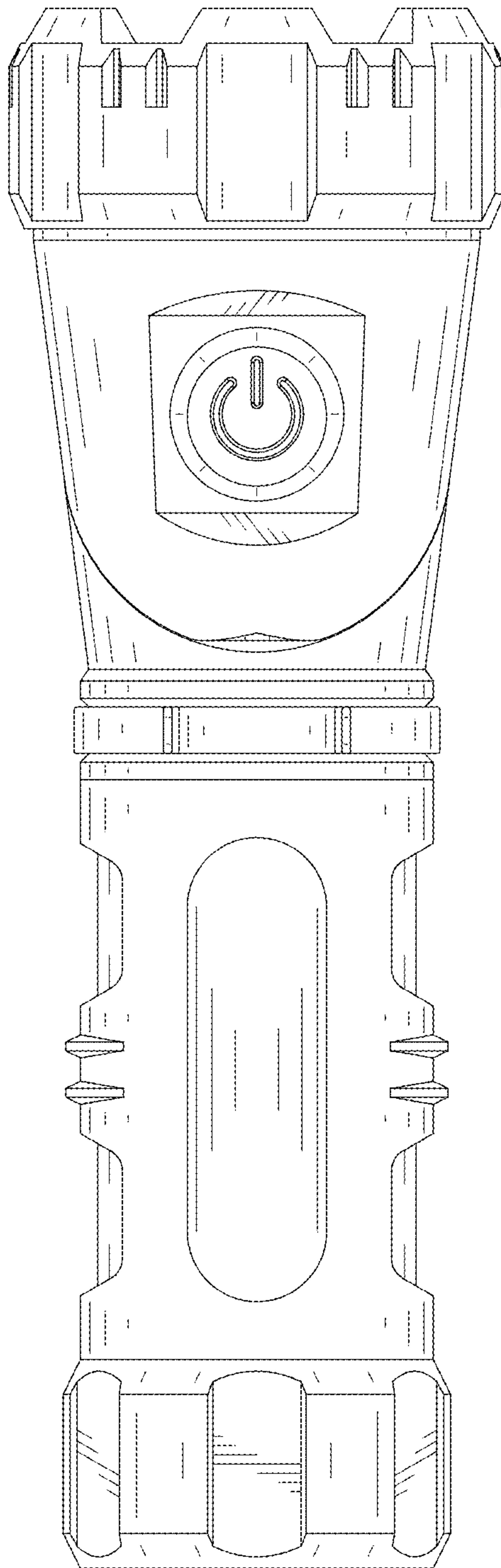


FIG.1

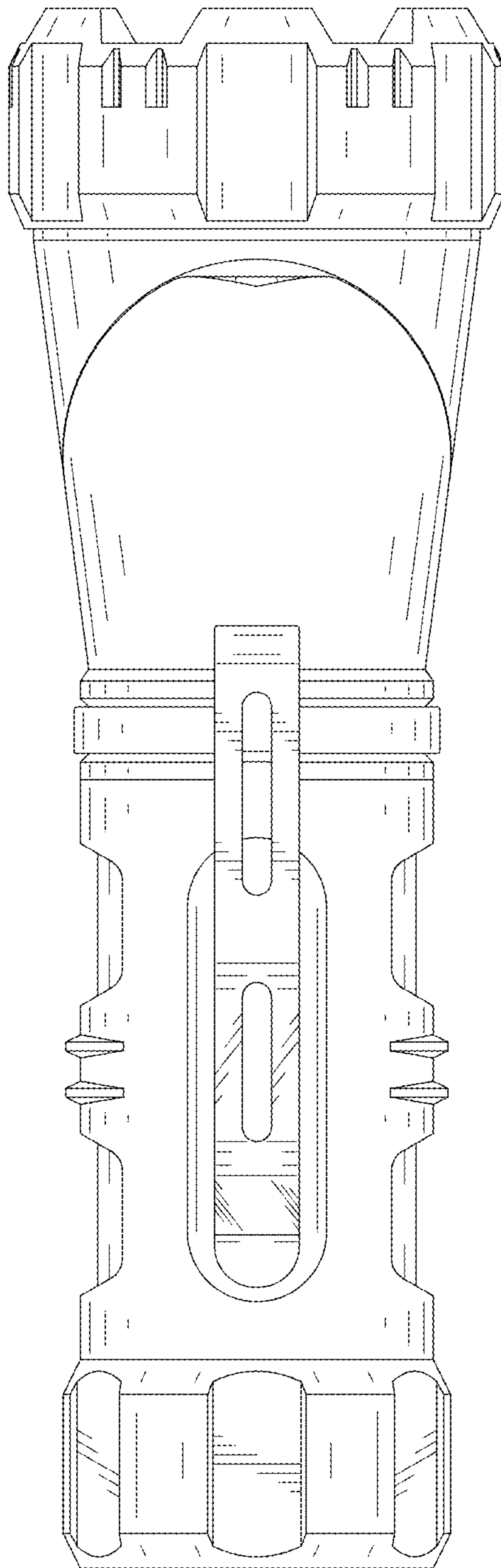


FIG.2

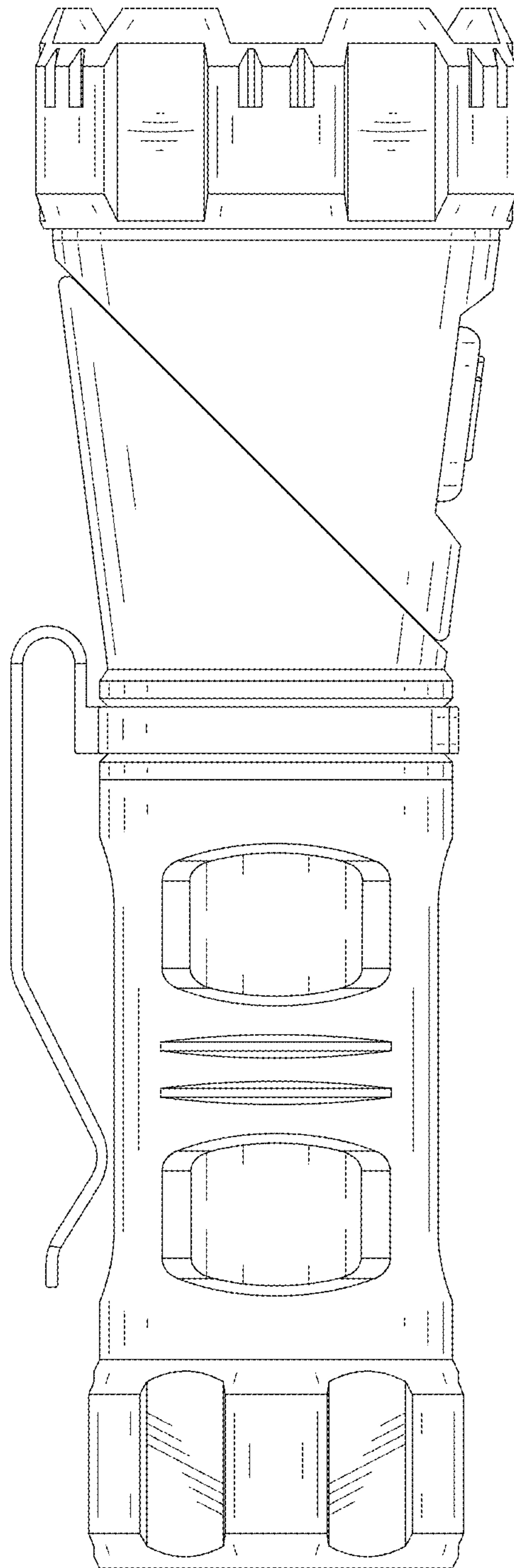


FIG.3

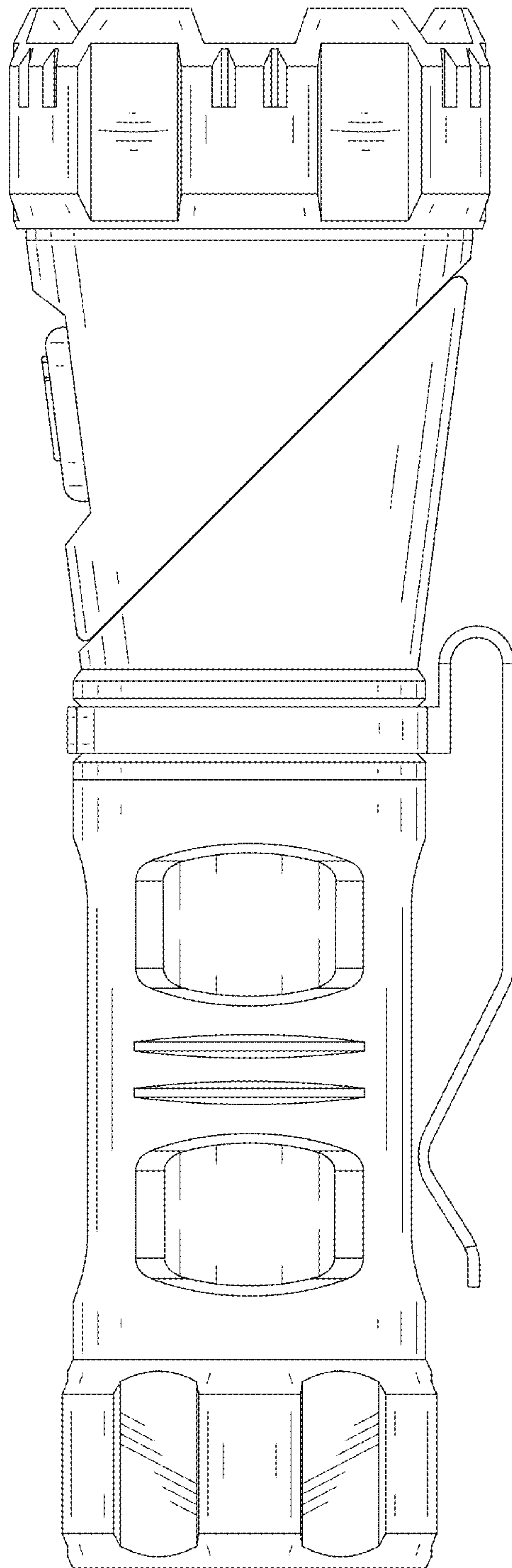


FIG.4

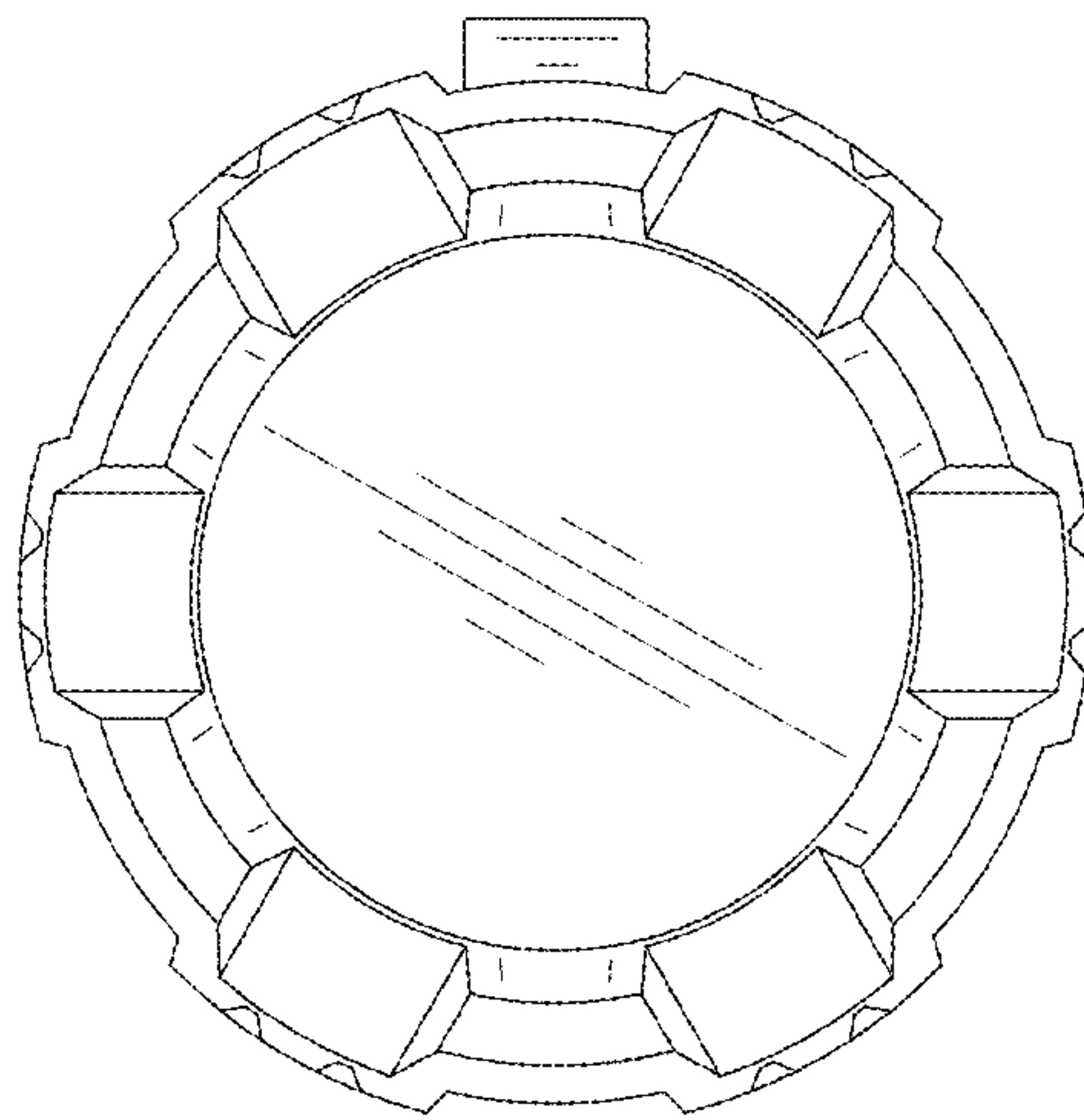


FIG.5

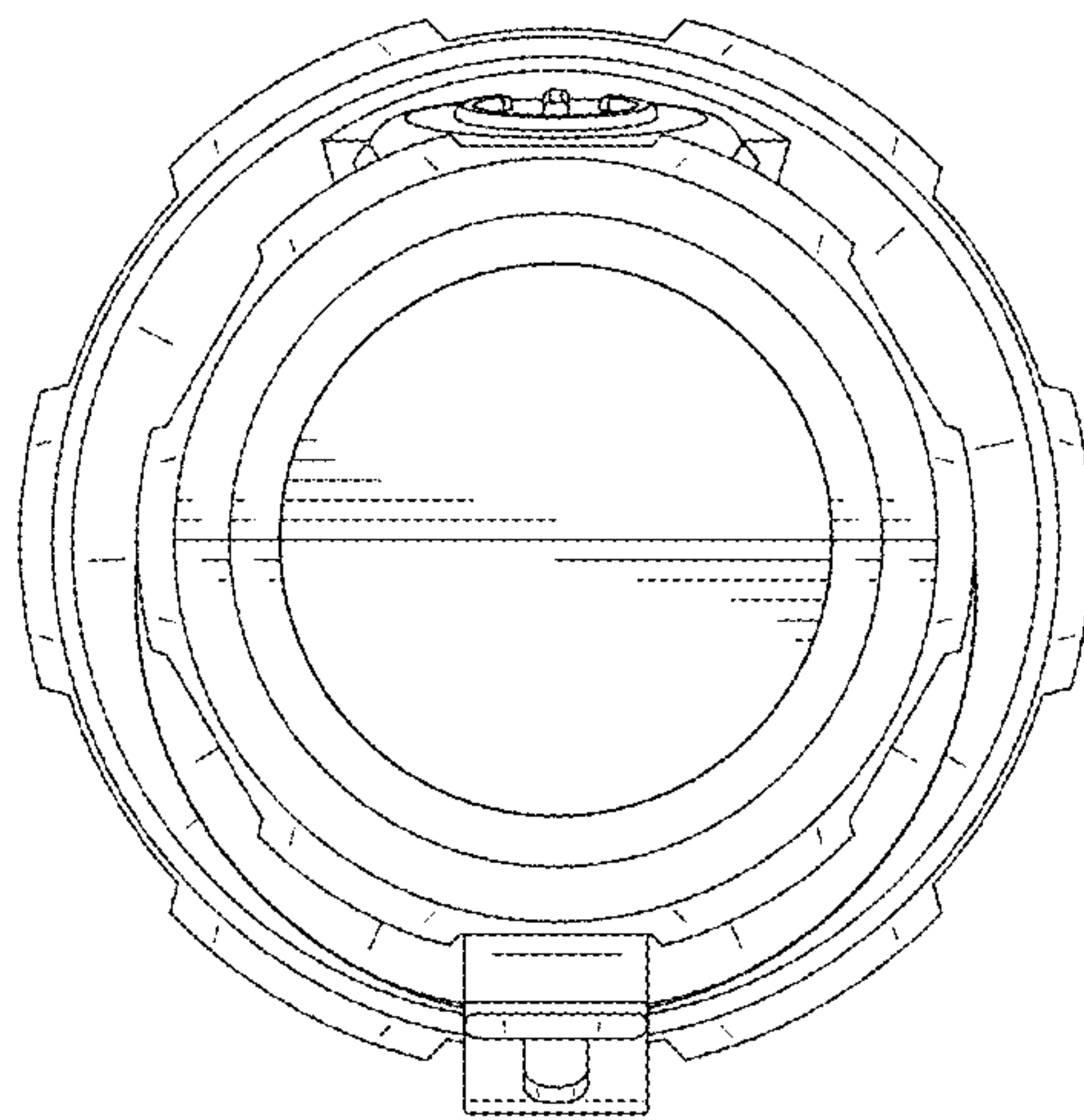


FIG.6

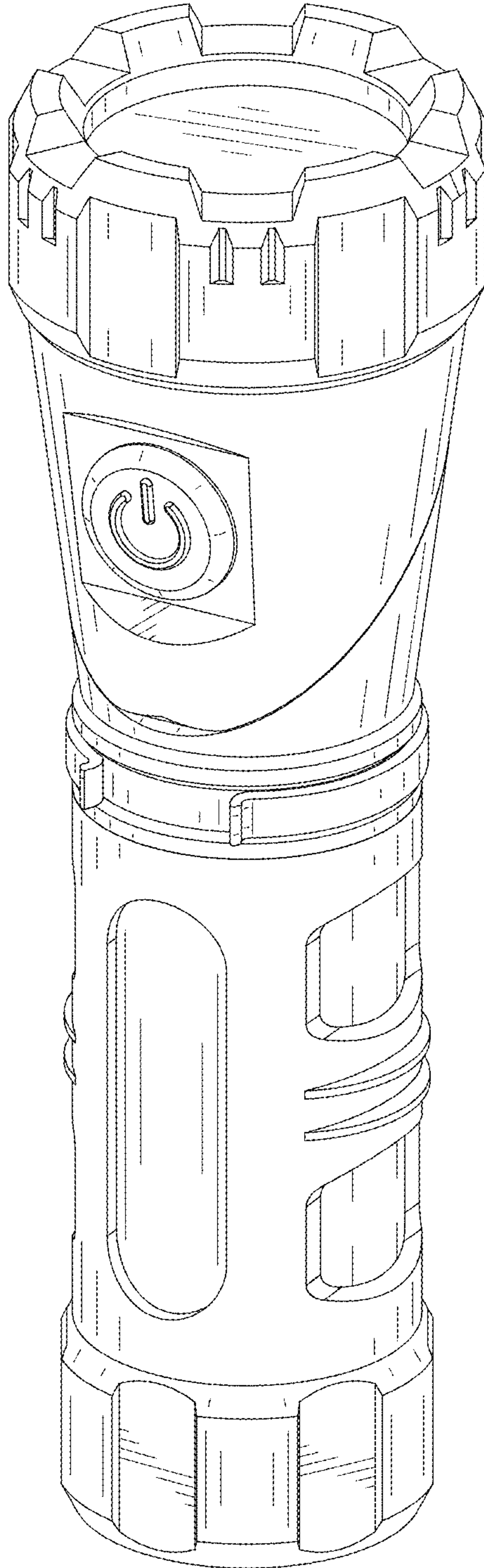


FIG. 7

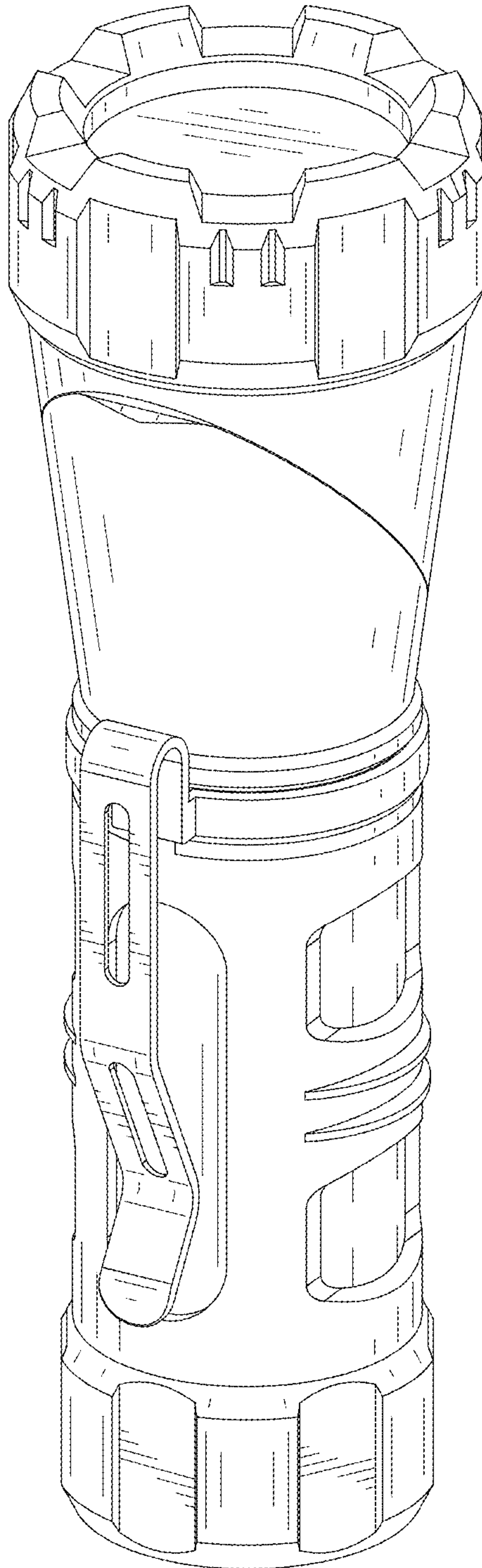


FIG.8

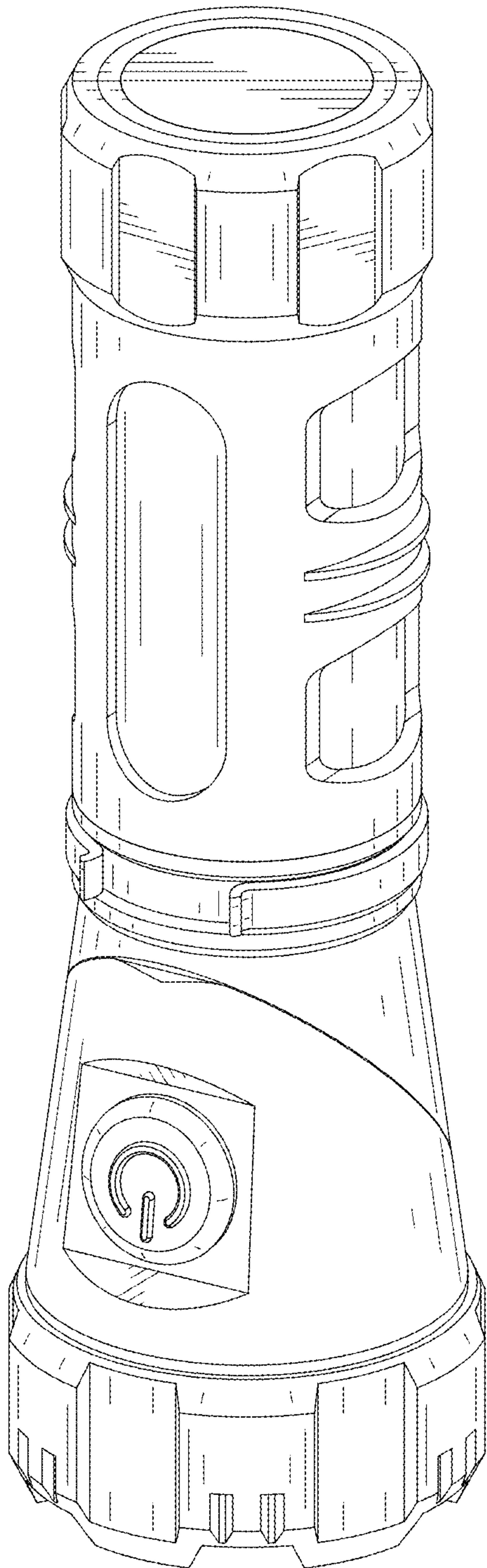


FIG.9

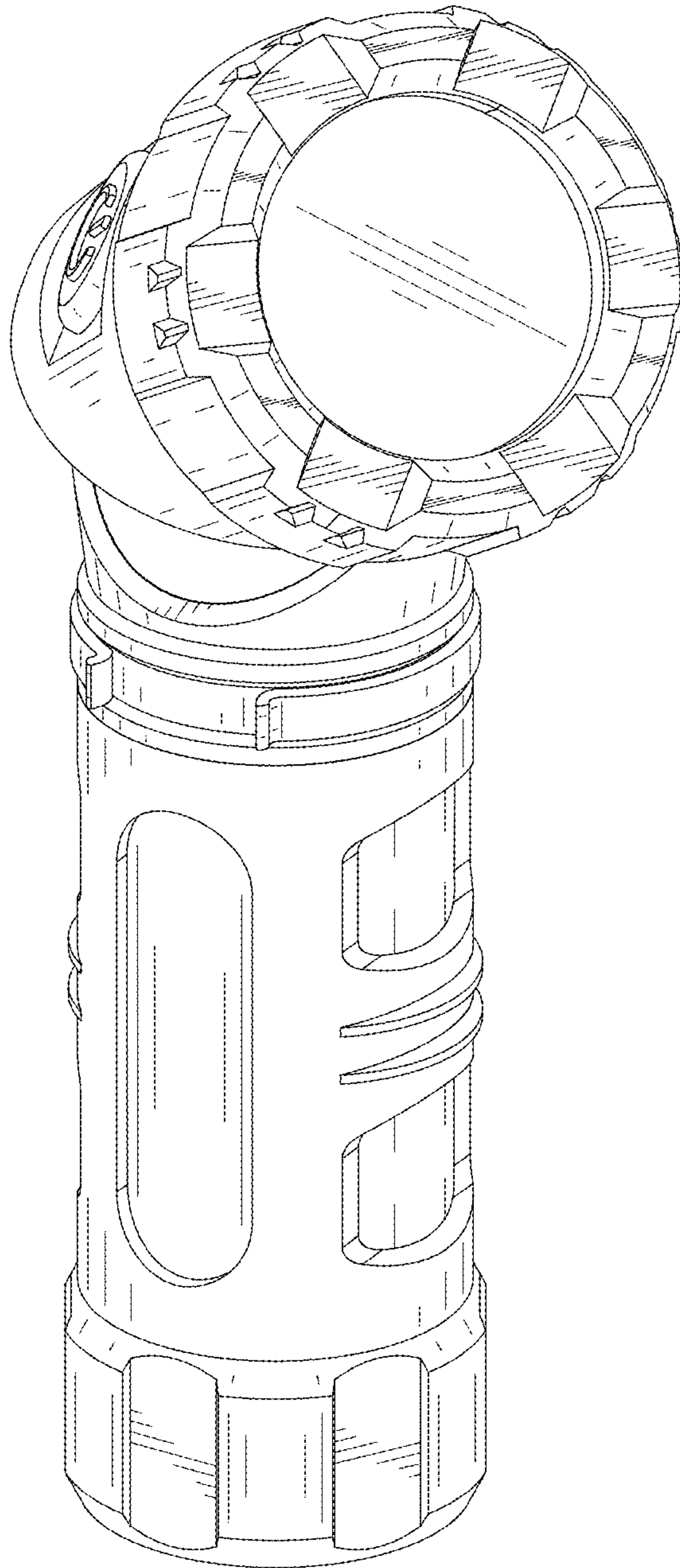


FIG.10

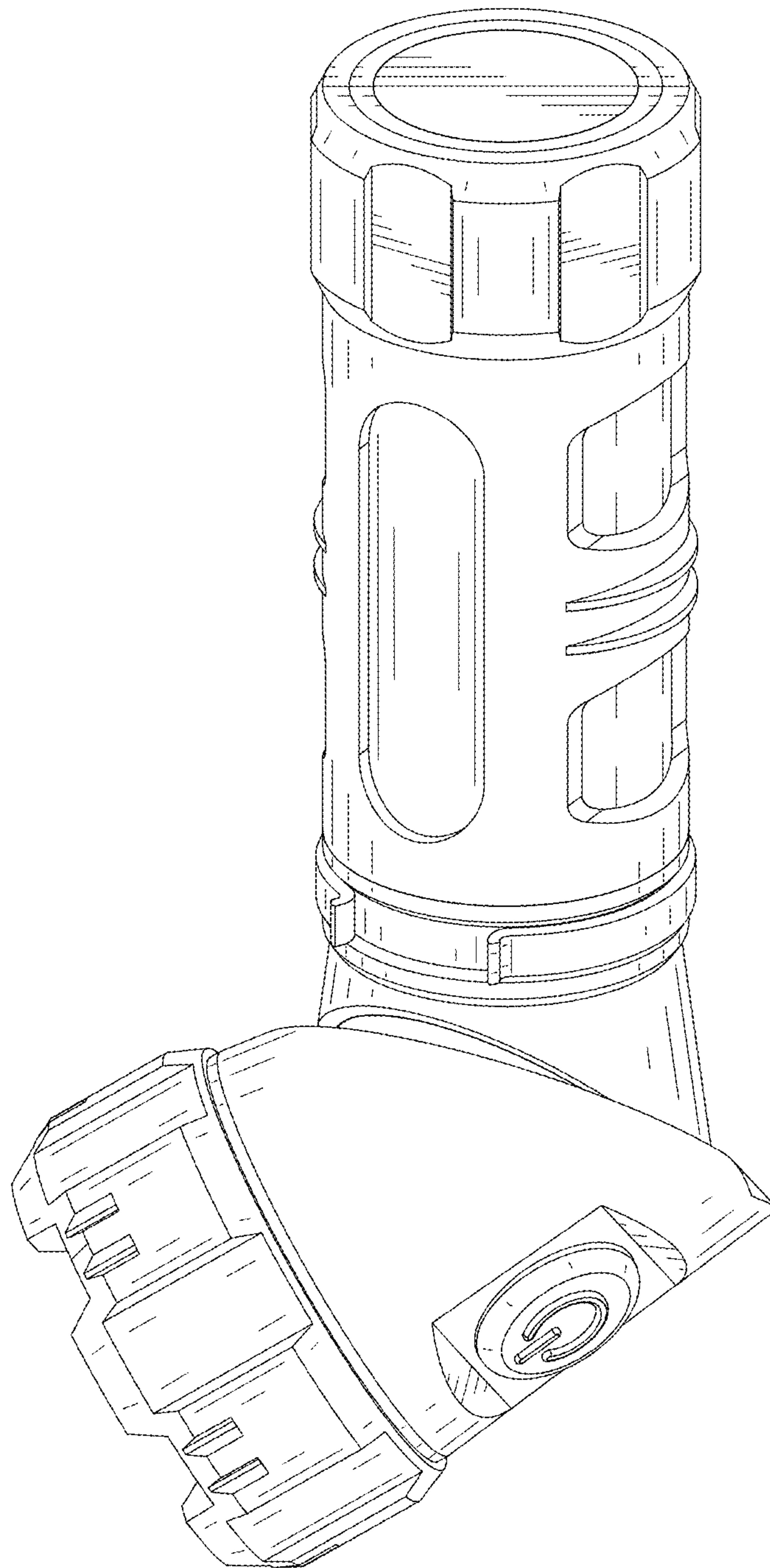


FIG.11

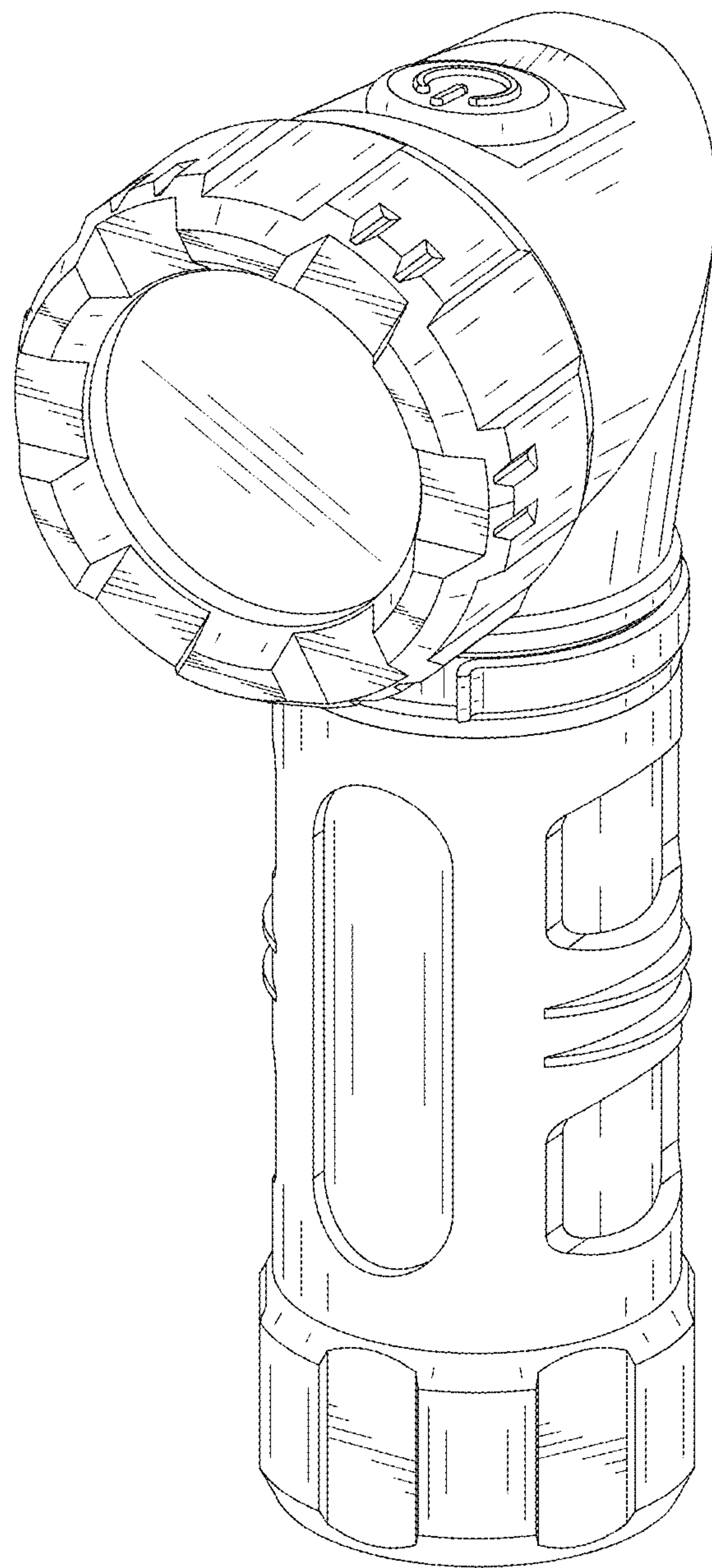


FIG.12

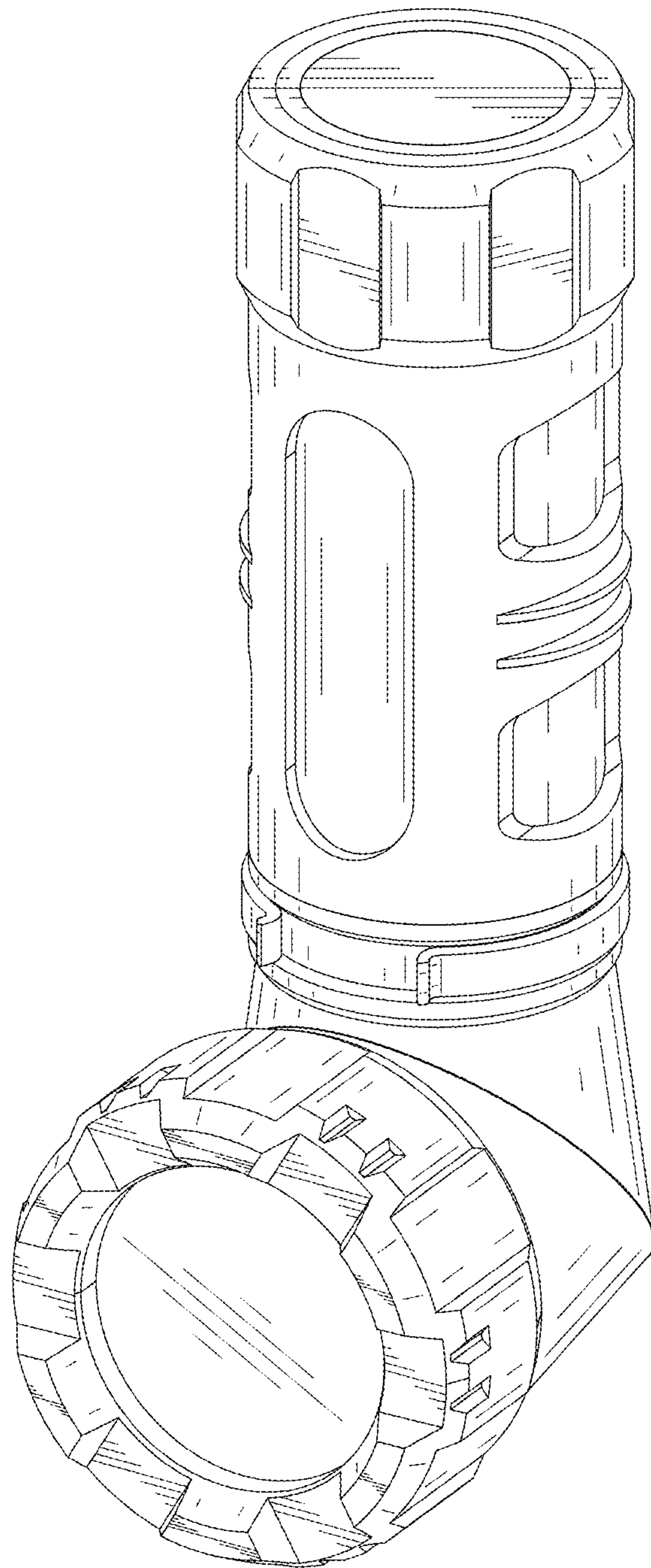


FIG.13