



US00D923837S

(12) **United States Design Patent** (10) **Patent No.:** **US D923,837 S**
Ye (45) **Date of Patent:** **** Jun. 29, 2021**

(54) **LAMP**
(71) Applicant: **Xiamen Ruiyi Electronic Technology Co., Ltd., Xiamen (CN)**
(72) Inventor: **Haitao Ye, Xiamen (CN)**
(73) Assignee: **Xiamen Ruiyi Electronic Technology Co., Ltd., Xiamen (CN)**
(**) Term: **15 Years**

D617,480 S * 6/2010 DeBrunner D26/40
D694,445 S * 11/2013 Shiu D26/40
D783,200 S 4/2017 Nanni
D783,872 S * 4/2017 Aksnes D26/41
D809,690 S * 2/2018 Marshall D26/41
D814,084 S * 3/2018 James D26/41
D822,264 S 7/2018 Li

* cited by examiner

Primary Examiner — Marcus A Jackson

(21) Appl. No.: **29/769,733**
(22) Filed: **Feb. 8, 2021**
(51) **LOC (13) Cl.** **26-02**
(52) **U.S. Cl.**
USPC **D26/40**
(58) **Field of Classification Search**
USPC D26/37-51
CPC F21L 4/00; F21L 4/02; F21L 4/04; F21L 4/08; F21L 4/025; F21L 4/027; F21L 7/00; F21L 11/00; F21L 13/00; F21L 13/02; F21L 13/04; F21L 13/08; F21L 14/02; F21L 17/00; F21L 19/00; F21L 25/00
See application file for complete search history.

(57) **CLAIM**

The ornamental design for a lamp, as shown and described.

DESCRIPTION

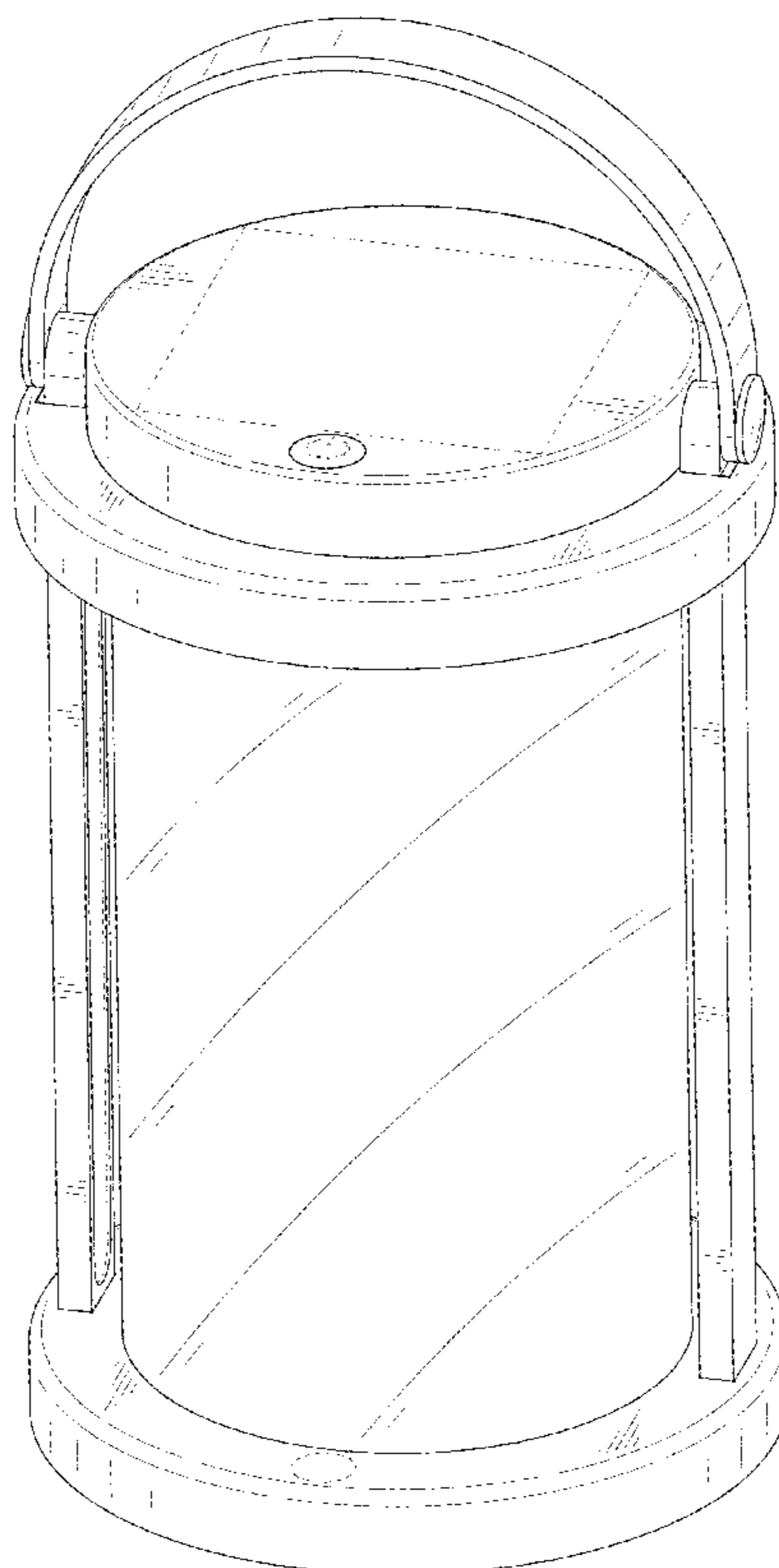
FIG. 1 is a perspective view of a lamp showing my new design;
FIG. 2 is another perspective view thereof;
FIG. 3 is a front elevational view thereof;
FIG. 4 is a rear elevational view thereof;
FIG. 5 is a left side elevational view thereof;
FIG. 6 is a right side elevational view thereof;
FIG. 7 is a top plan view thereof; and,
FIG. 8 is a bottom plan view thereof.
The broken lines in the drawings are for the purpose of illustrating portions of the lamp that form no part of the claimed design.

(56) **References Cited**

U.S. PATENT DOCUMENTS

D407,171 S * 3/1999 Yuen D26/41
D608,036 S * 1/2010 Lee D26/40

1 Claim, 8 Drawing Sheets



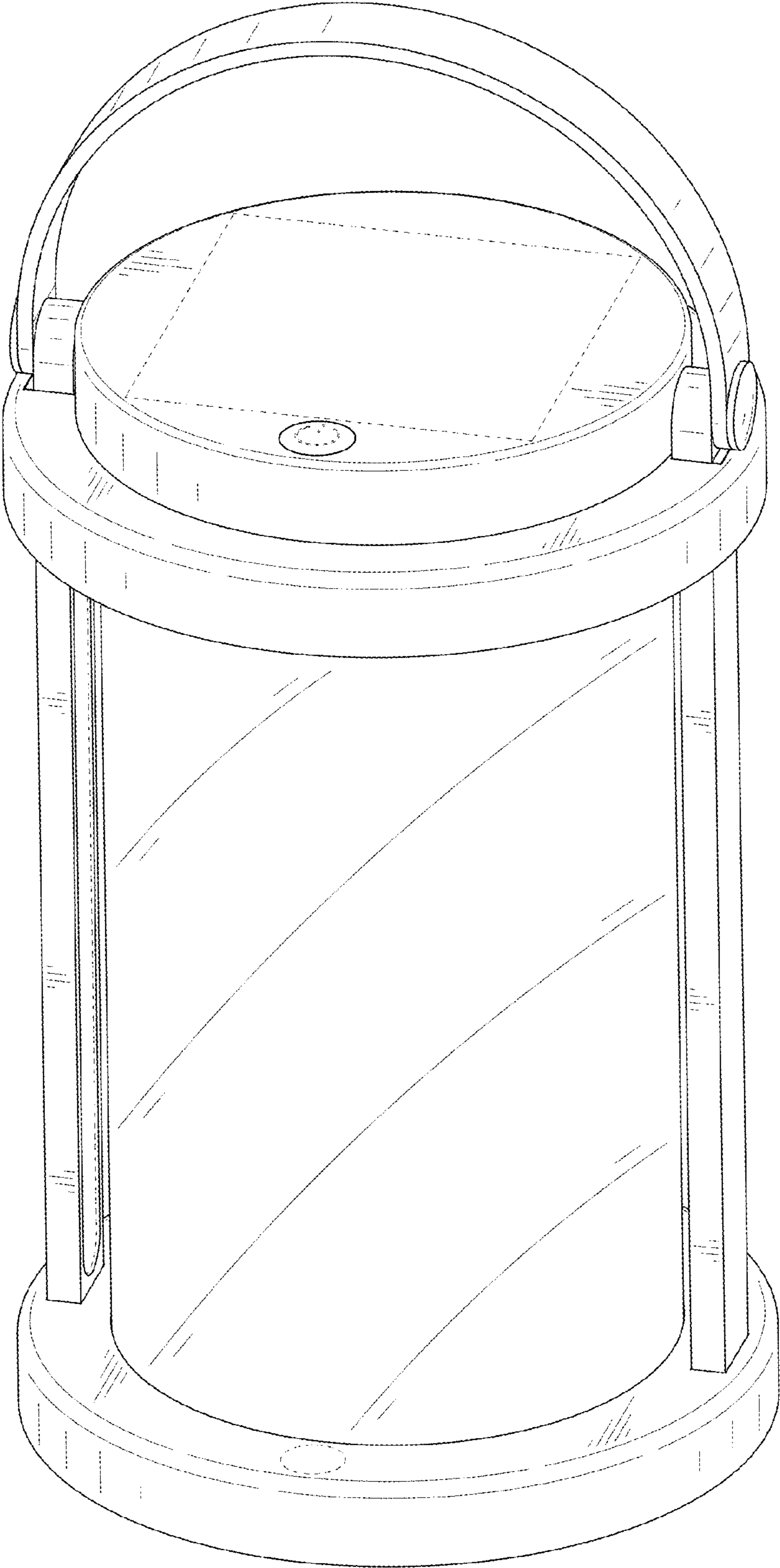


FIG. 1

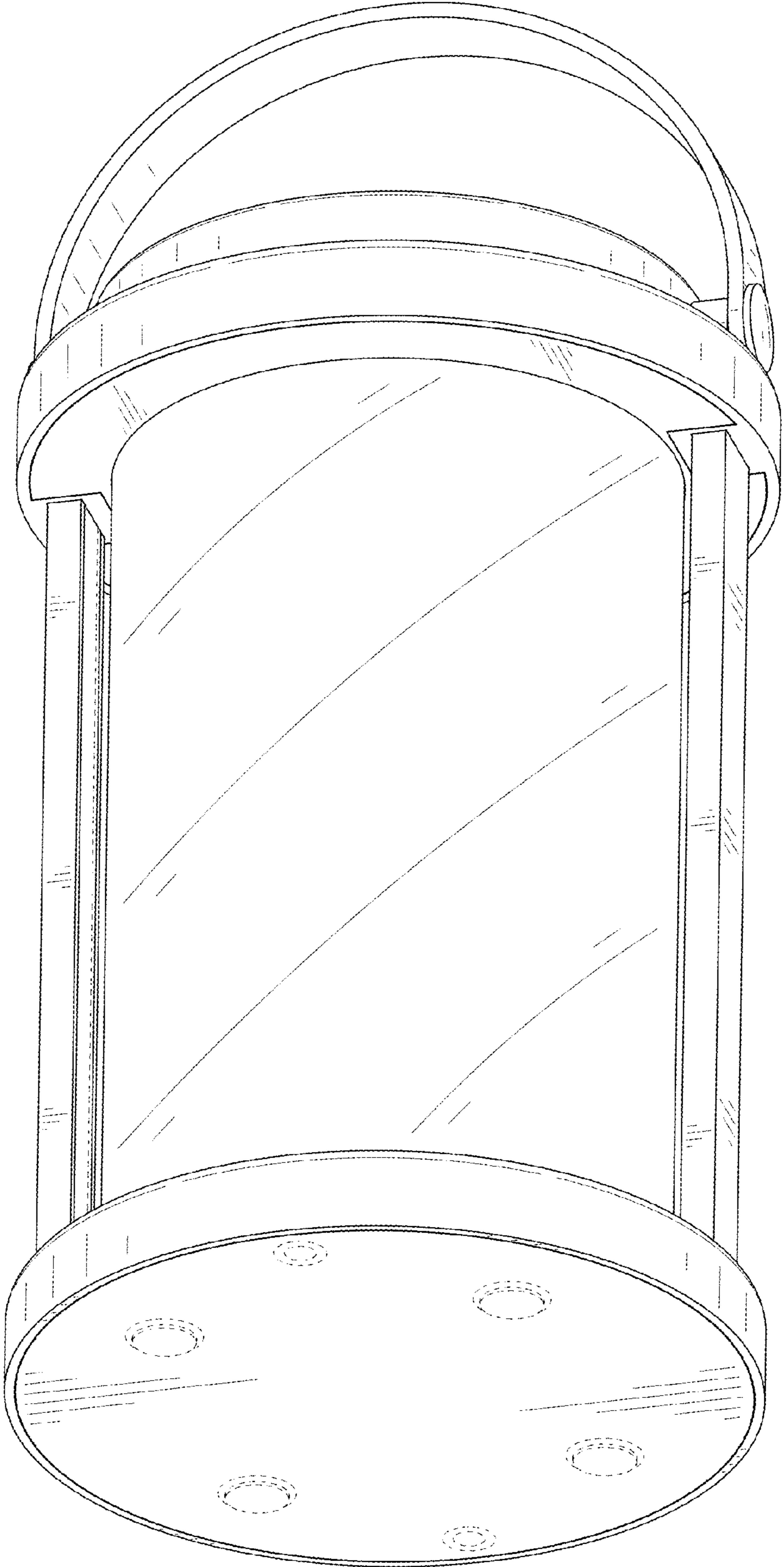


FIG. 2

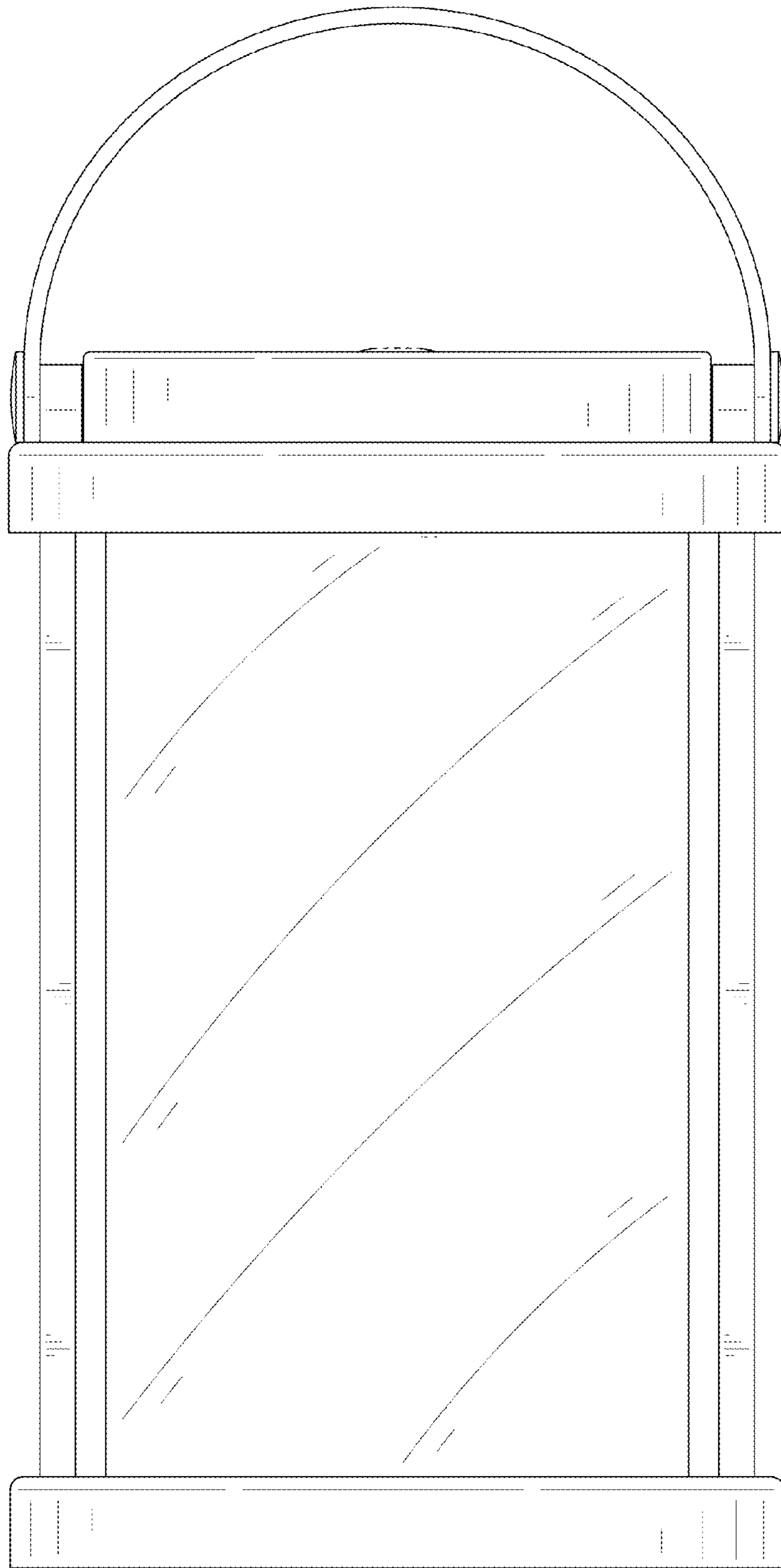


FIG. 3

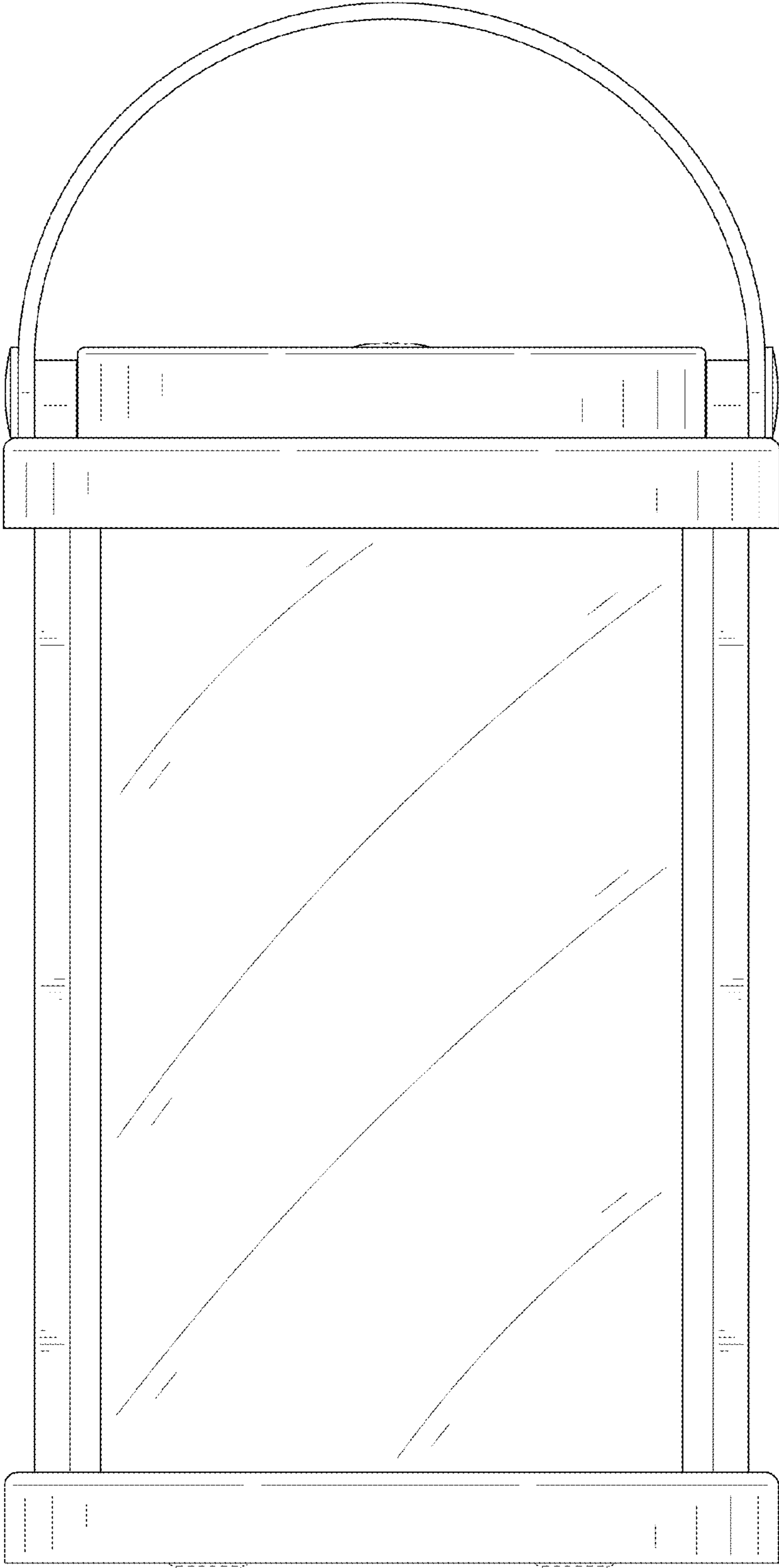


FIG. 4

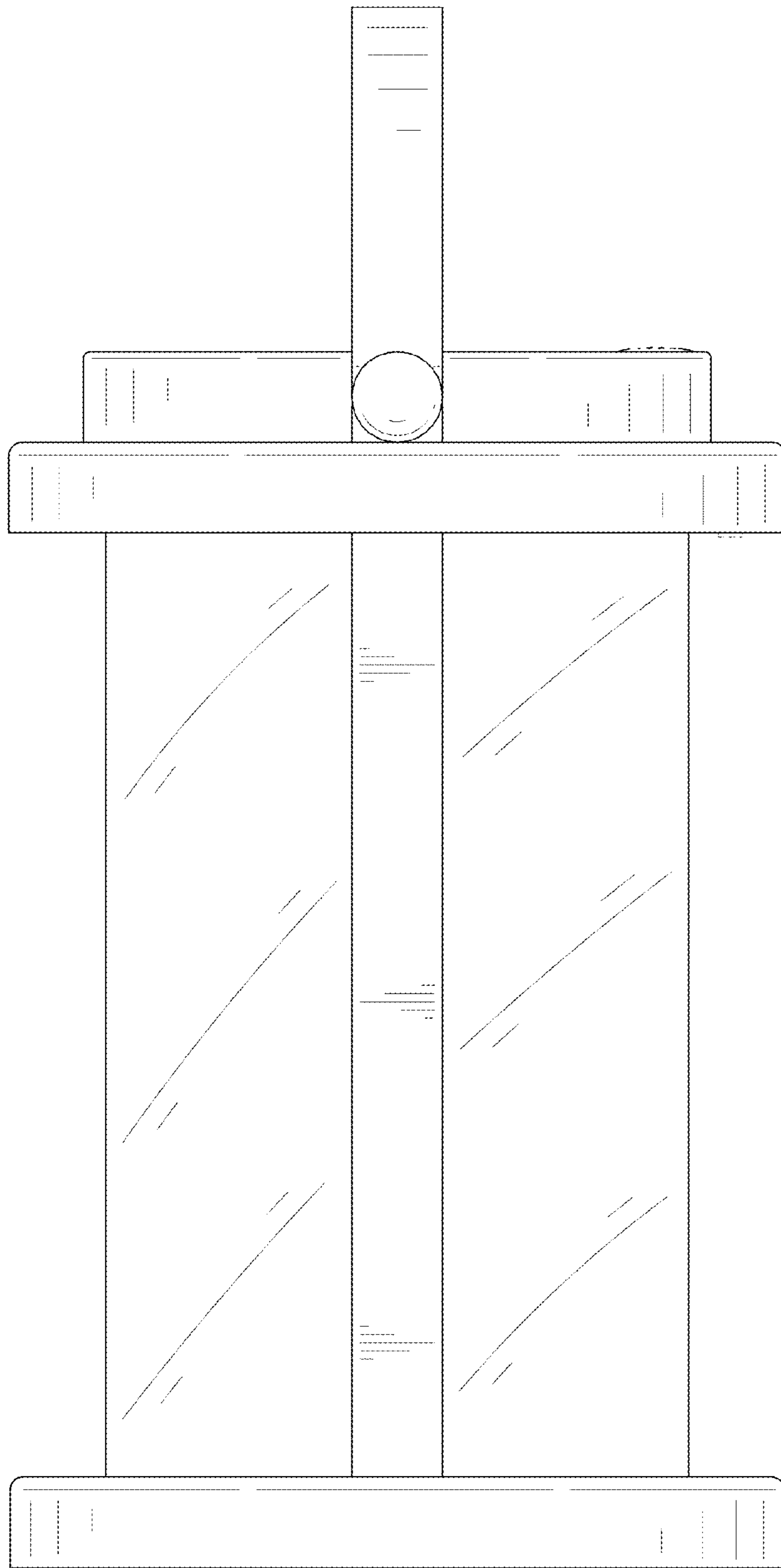


FIG. 5

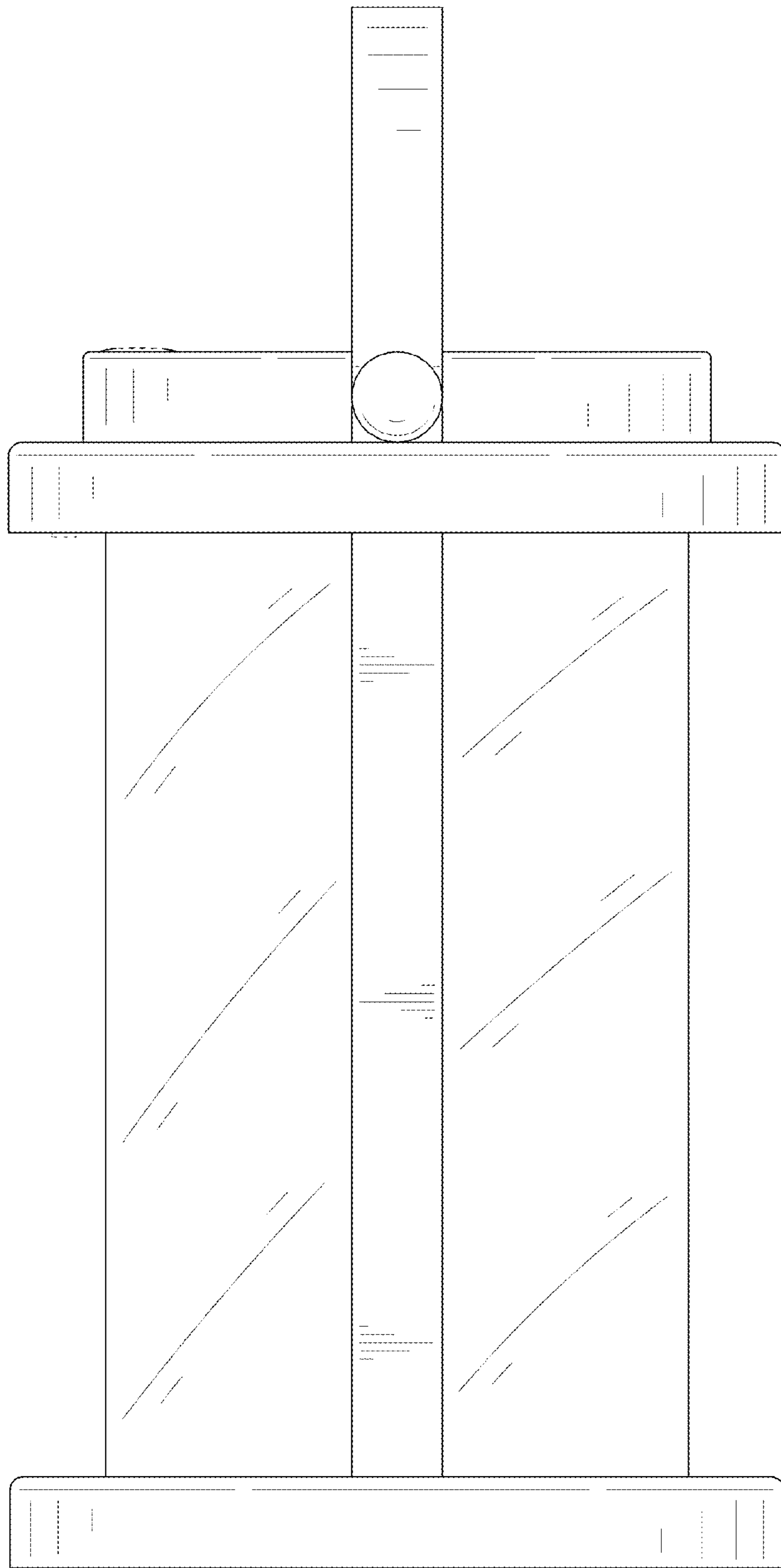


FIG. 6

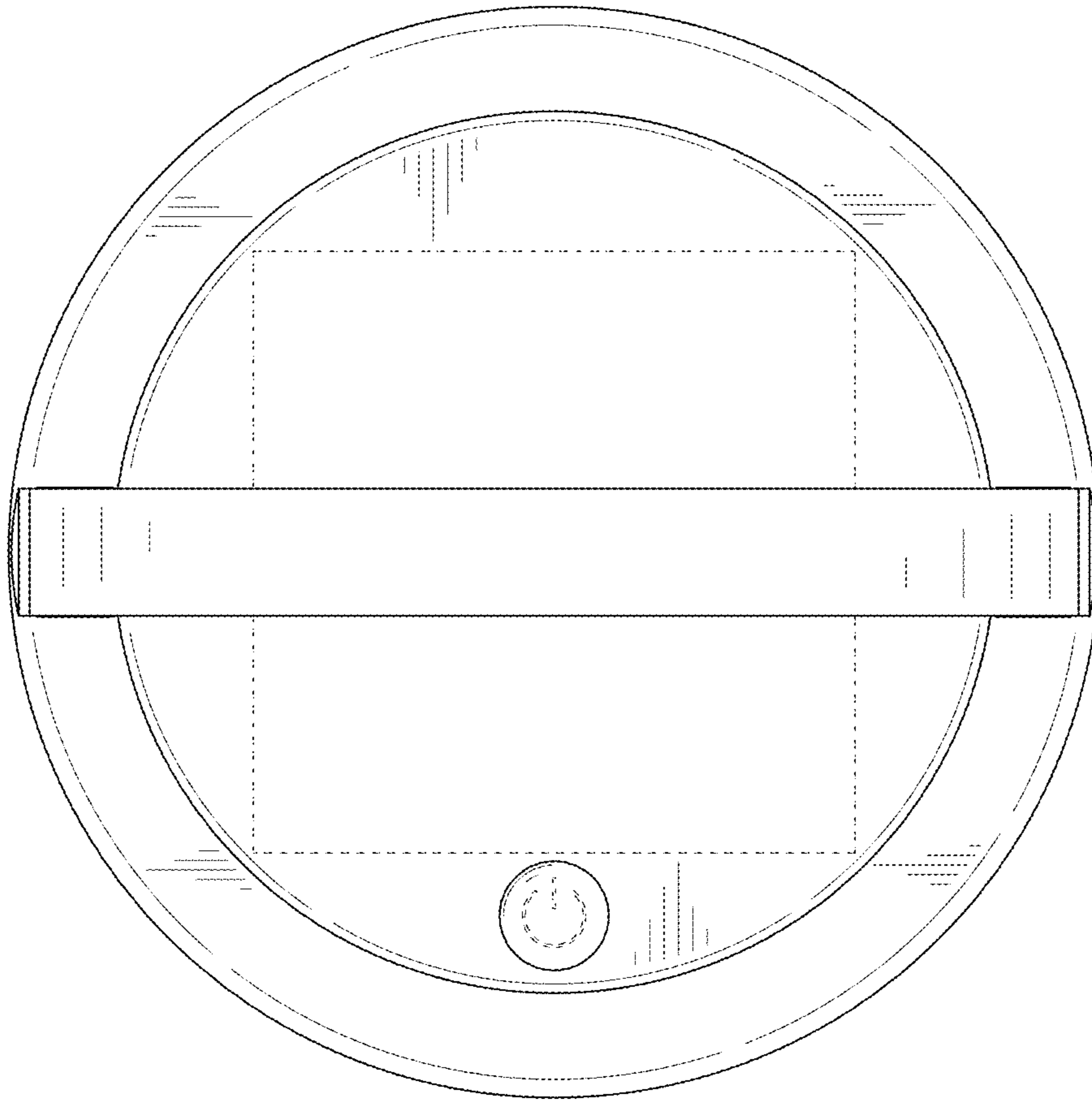


FIG. 7

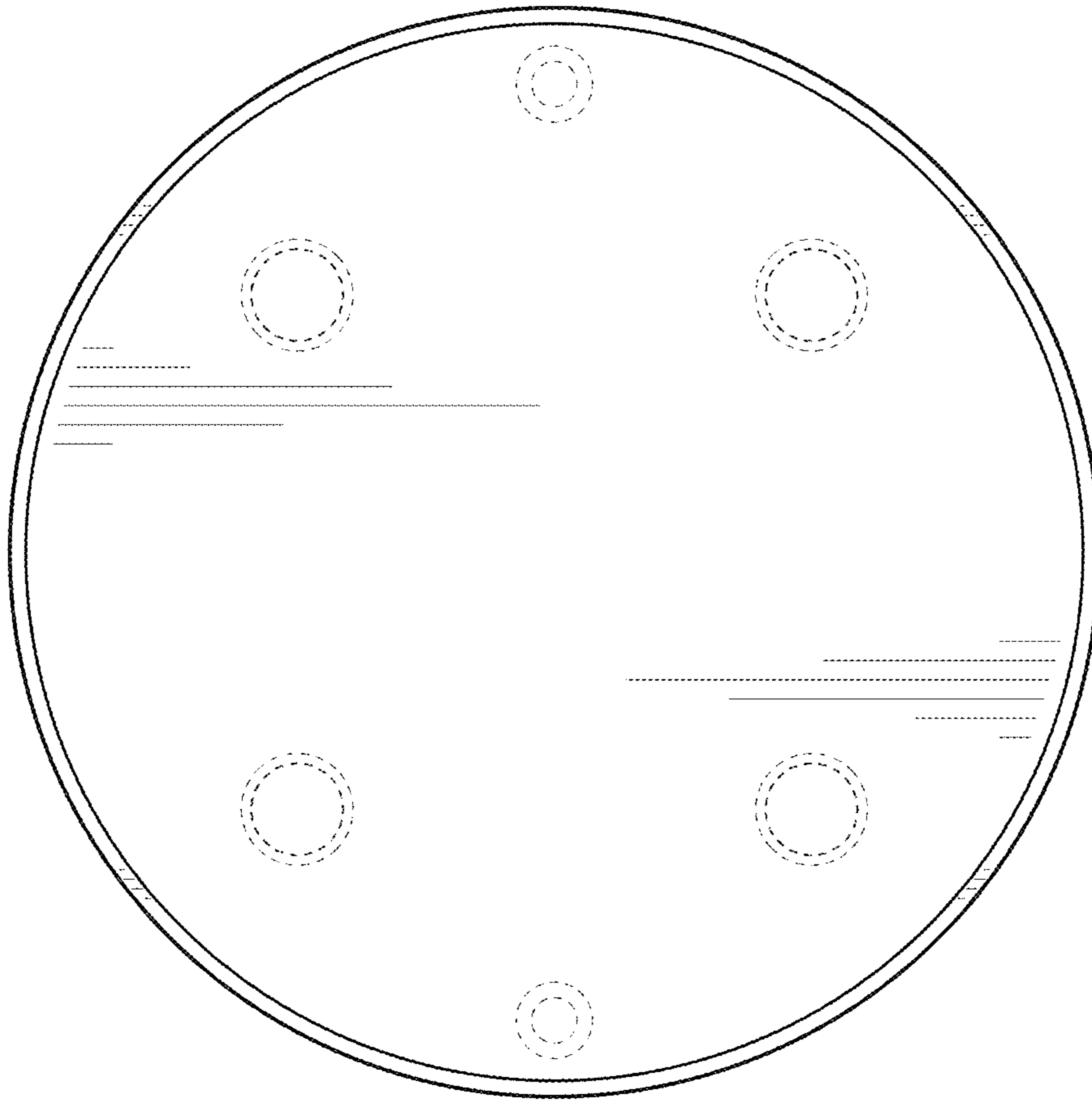


FIG. 8