



US00D923835S

(12) **United States Design Patent** (10) **Patent No.:** **US D923,835 S**
Liu (45) **Date of Patent:** **** Jun. 29, 2021**

(54) **HEAD LAMP**

(71) Applicant: **Heyan Liu**, Dazhou (CN)

(72) Inventor: **Heyan Liu**, Dazhou (CN)

(**) Term: **15 Years**

(21) Appl. No.: **29/744,543**

(22) Filed: **Jul. 29, 2020**

(30) **Foreign Application Priority Data**

Apr. 9, 2020 (CN) 202030136689.7

(51) **LOC (13) Cl.** **26-02**

(52) **U.S. Cl.**
USPC **D26/39**

(58) **Field of Classification Search**
USPC D26/37-51
CPC F21L 2/00; F21L 4/00; F21L 4/02; F21L 4/04; F21L 4/08; F21L 4/005; F21L 4/025; F21L 4/027; F21L 7/00; F21L 11/00; F21L 13/00; F21L 17/00; F21L 25/00; F21L 13/04; F21L 13/08; F21L 19/00

See application file for complete search history.

(56) **References Cited**

U.S. PATENT DOCUMENTS

D566,310 S * 4/2008 Alessio D26/39
D569,022 S 5/2008 Lin
D592,779 S 5/2009 Svensson
D635,280 S 3/2011 Chao

D680,250 S 4/2013 Opolka
D762,899 S * 8/2016 Green D26/39
D793,592 S 8/2017 Chen et al.
D803,442 S * 11/2017 Green D26/39
D814,083 S * 3/2018 Green D26/39
D843,622 S * 3/2019 Karl, IV D26/39
D845,526 S * 4/2019 Windom D26/39

* cited by examiner

Primary Examiner — Marcus A Jackson

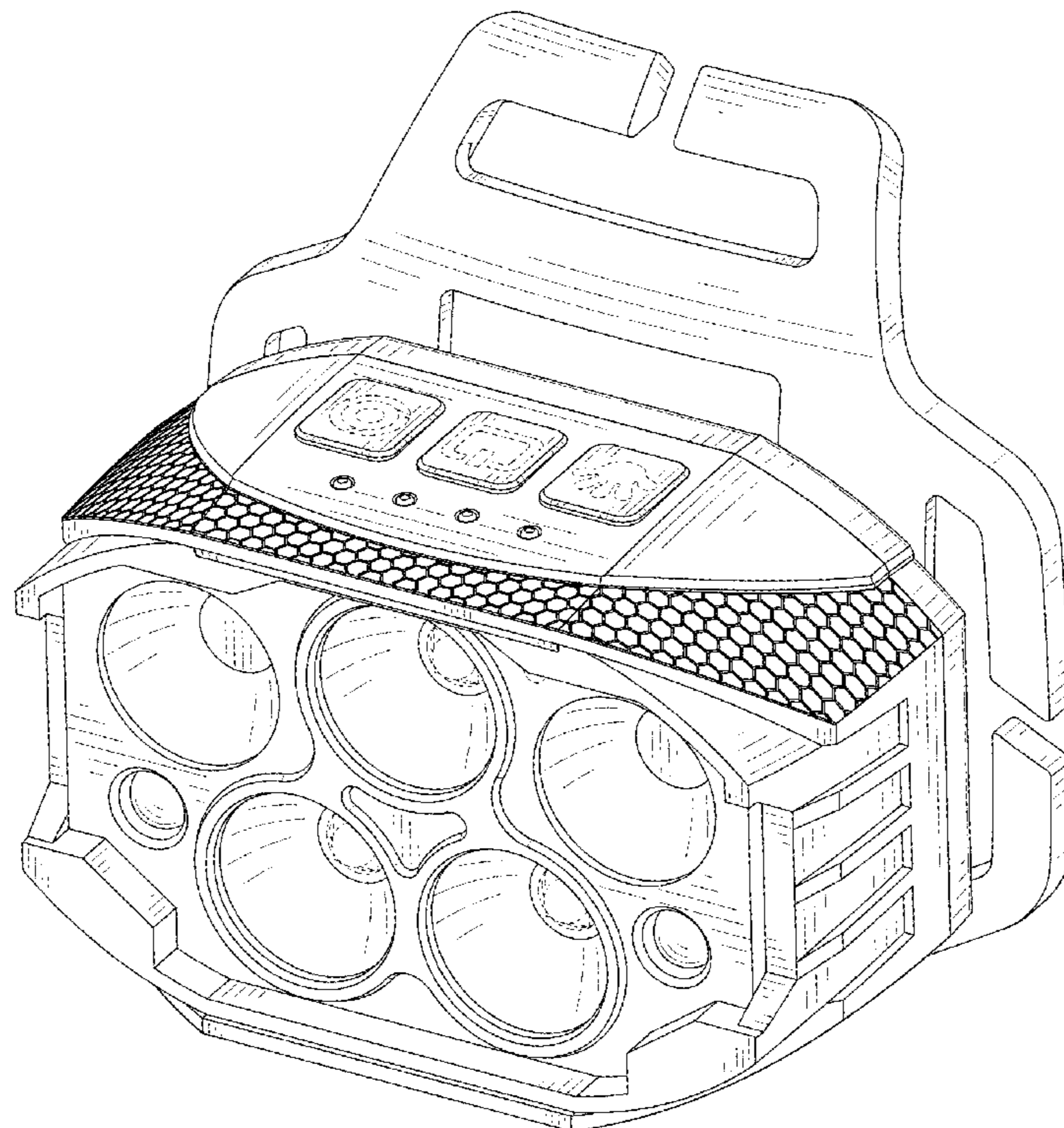
(57) **CLAIM**

The ornamental design for a head lamp, as shown and described.

DESCRIPTION

FIG. 1 is a front perspective view of a head lamp showing my new design;
FIG. 2 is a rear perspective view thereof;
FIG. 3 is a front elevational view thereof;
FIG. 4 is a rear elevational view thereof;
FIG. 5 is a left side elevational view thereof;
FIG. 6 is a right side elevational view thereof;
FIG. 7 is a top plan view thereof;
FIG. 8 is a bottom plan view thereof; and,
FIG. 9 is a perspective view of the head lamp in used with an unclaimed glass cover.
The broken lines in the drawings depict portions of the head lamp that form no part of the claimed design. The dash-dot-dash lines are for annotation purposes only and form no part thereof.

1 Claim, 9 Drawing Sheets



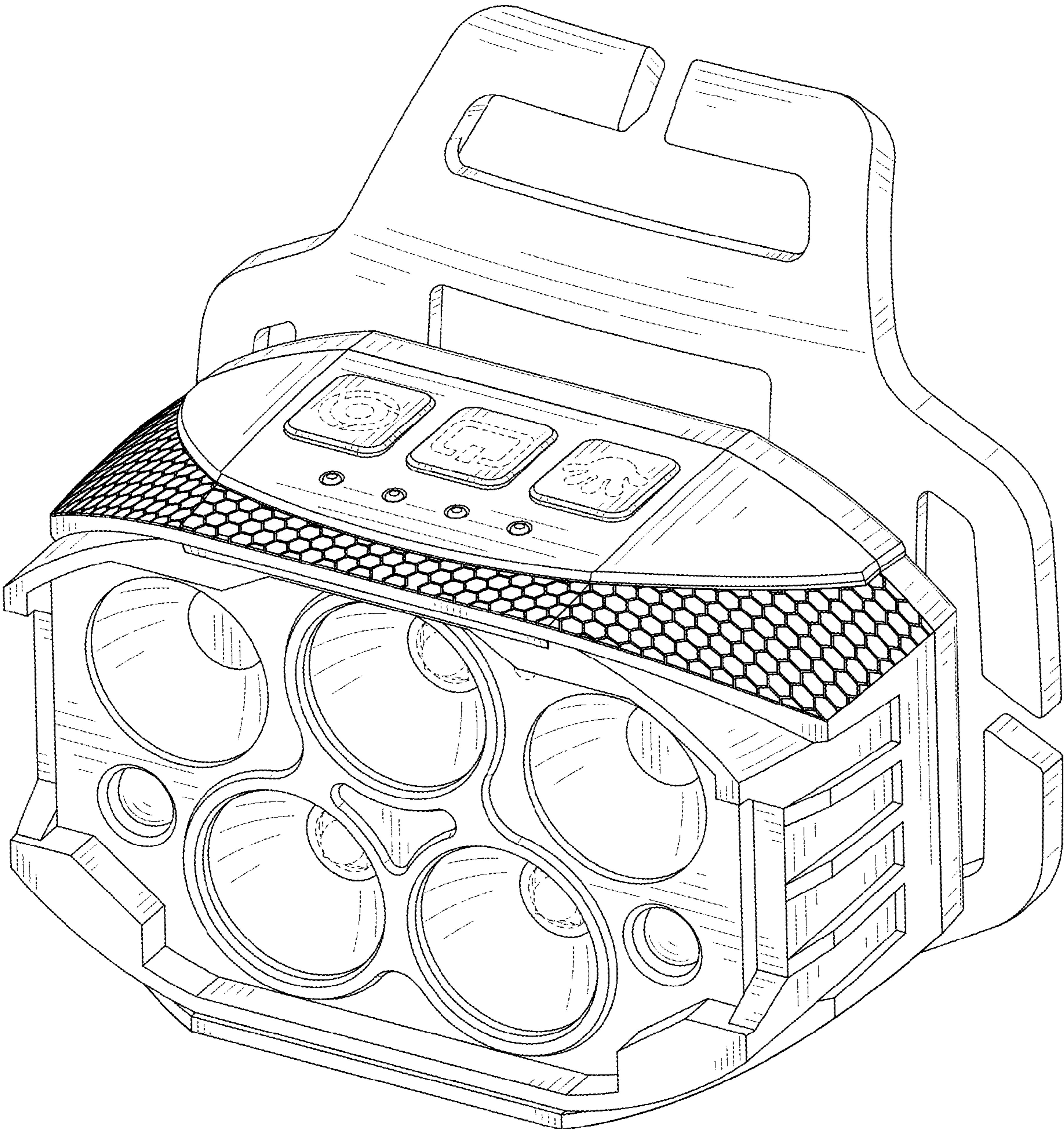


FIG. 1

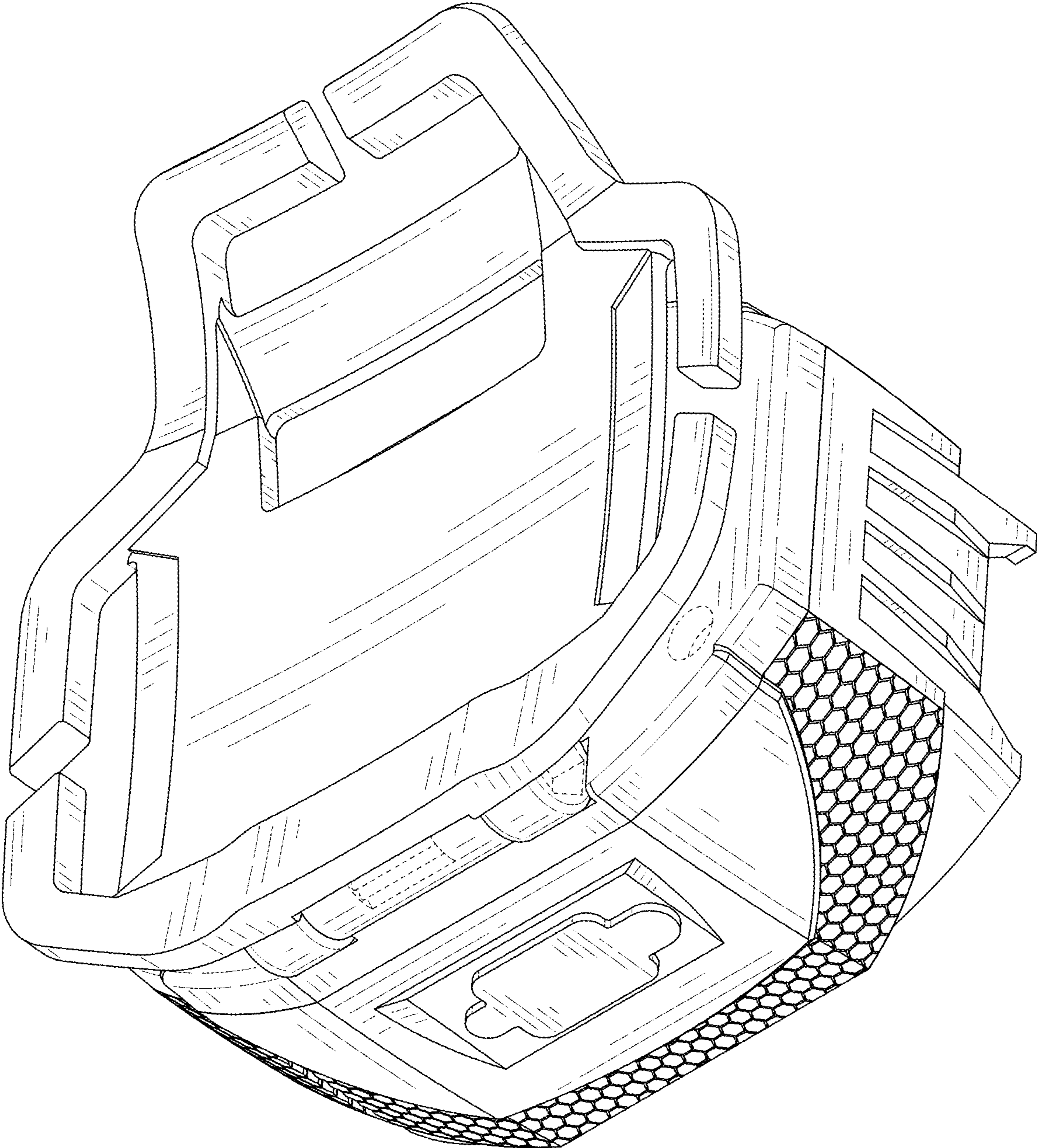


FIG. 2

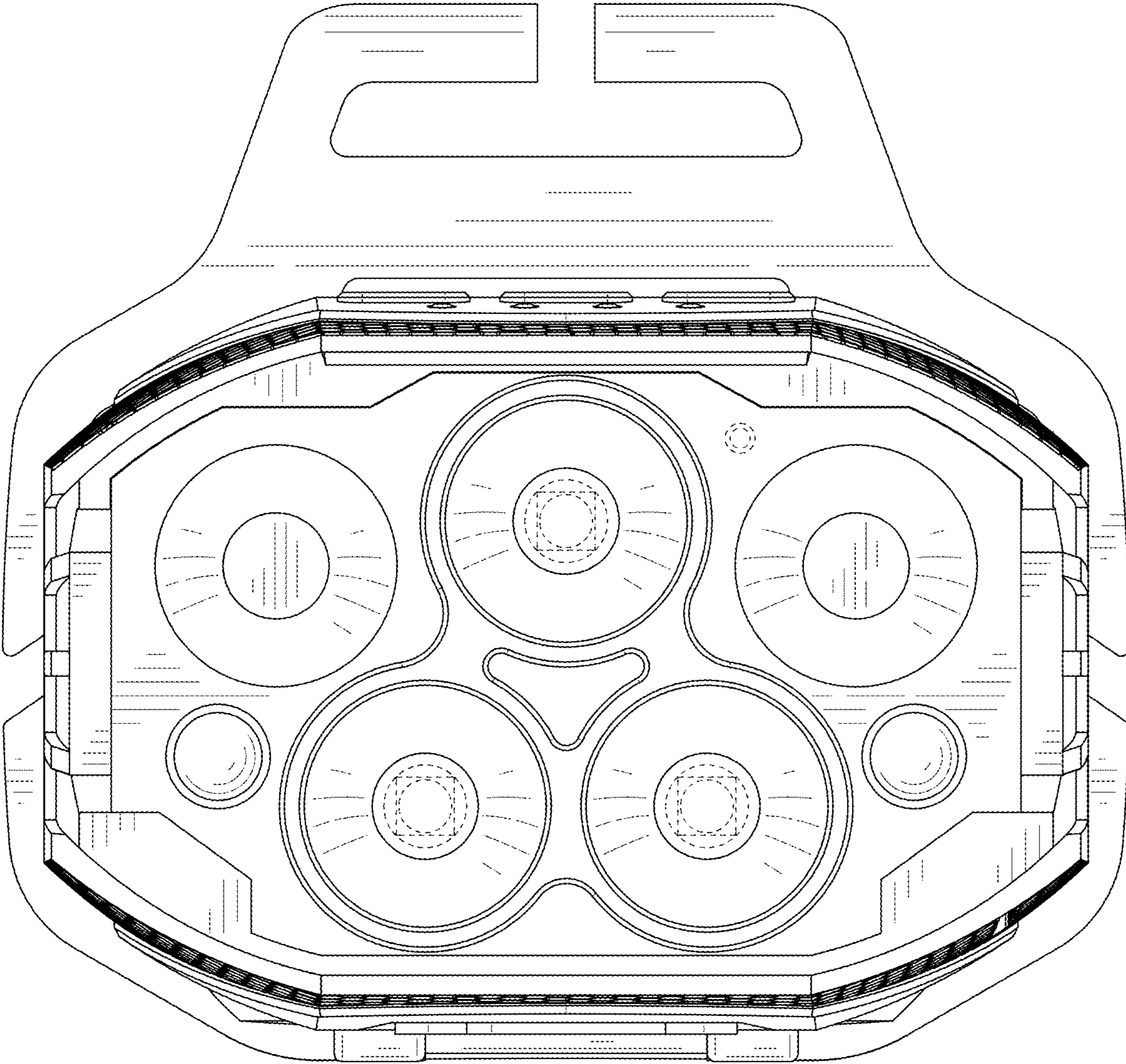


FIG. 3

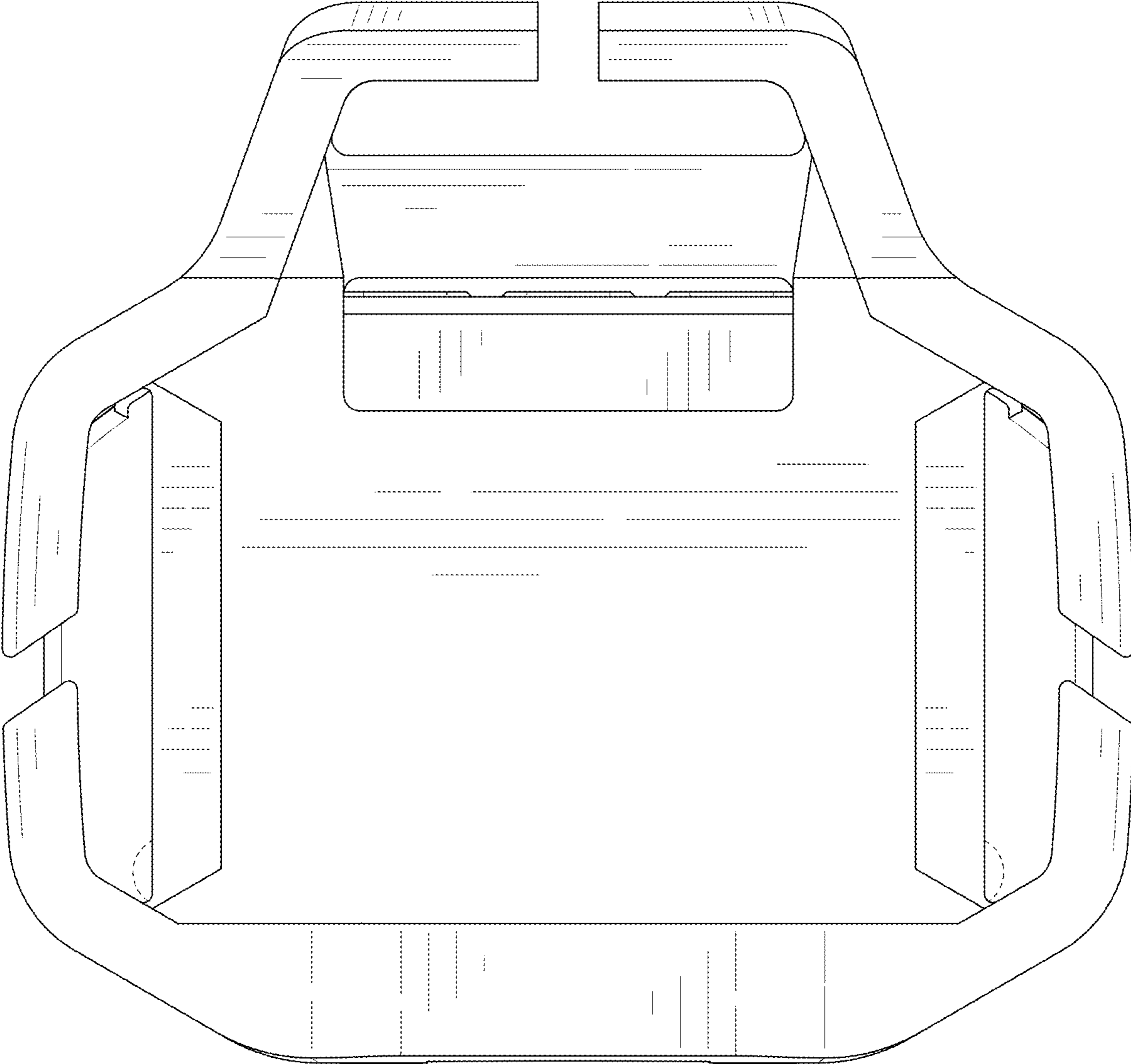


FIG. 4

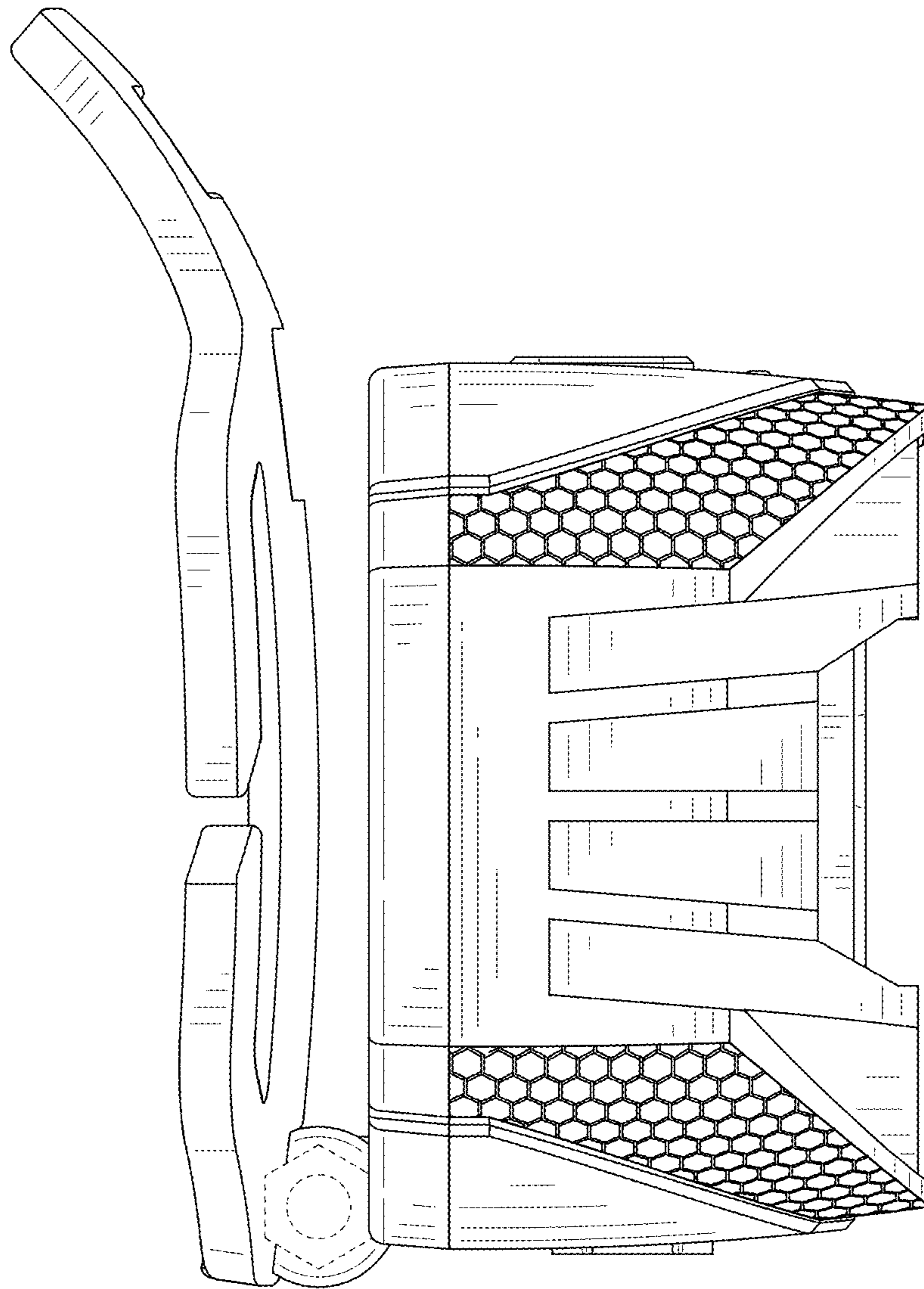


FIG. 5

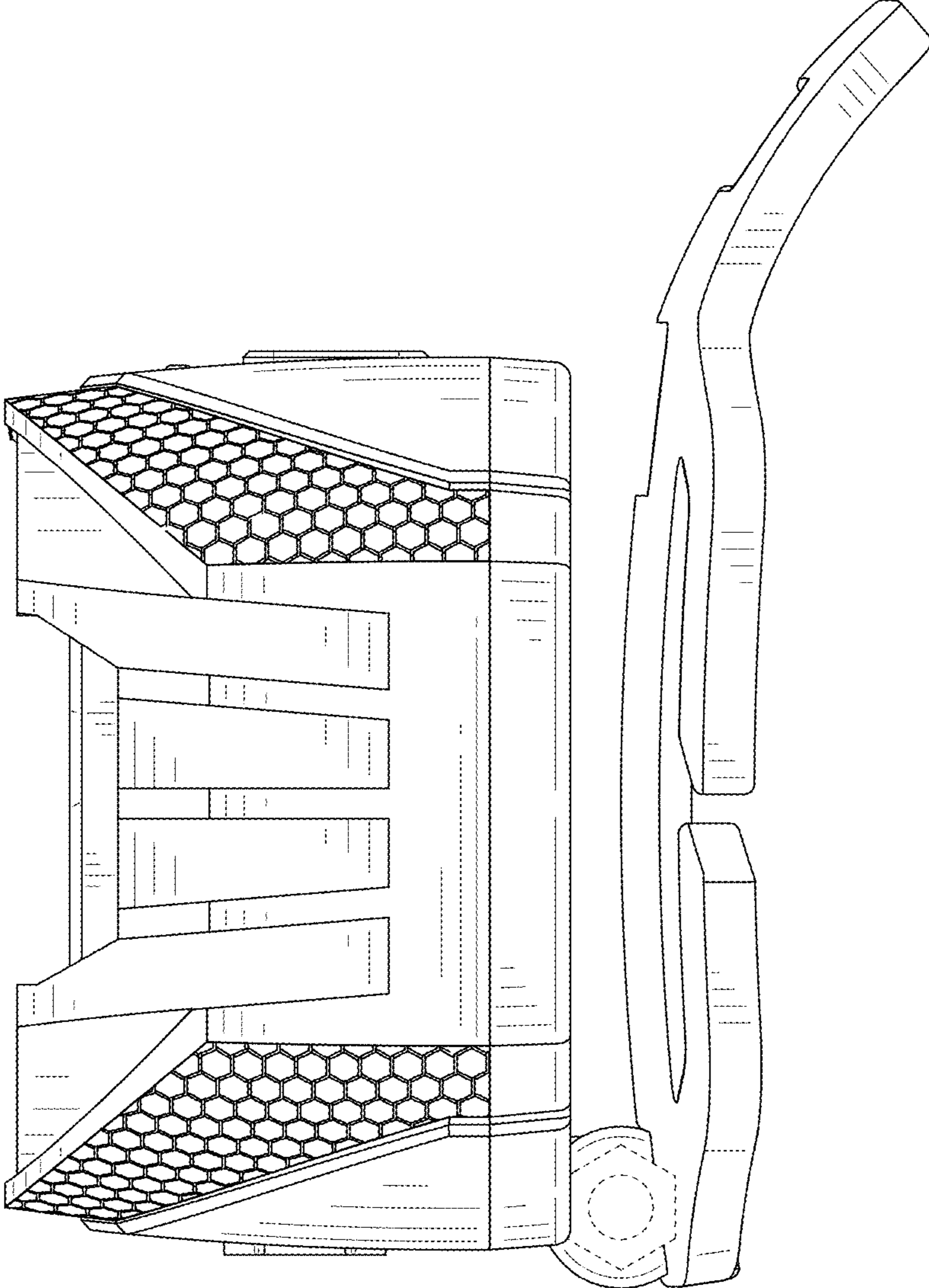


FIG. 6

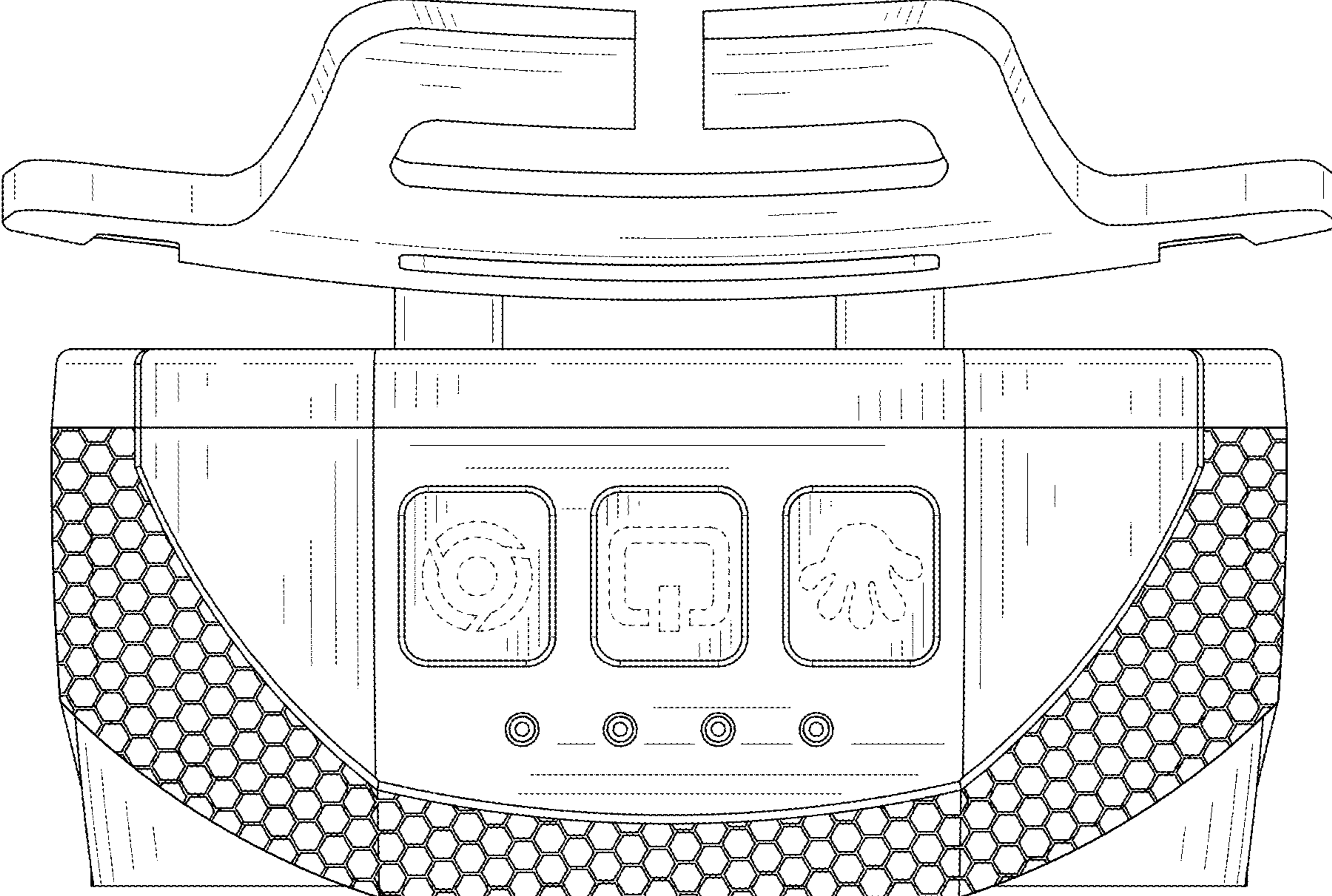


FIG. 7

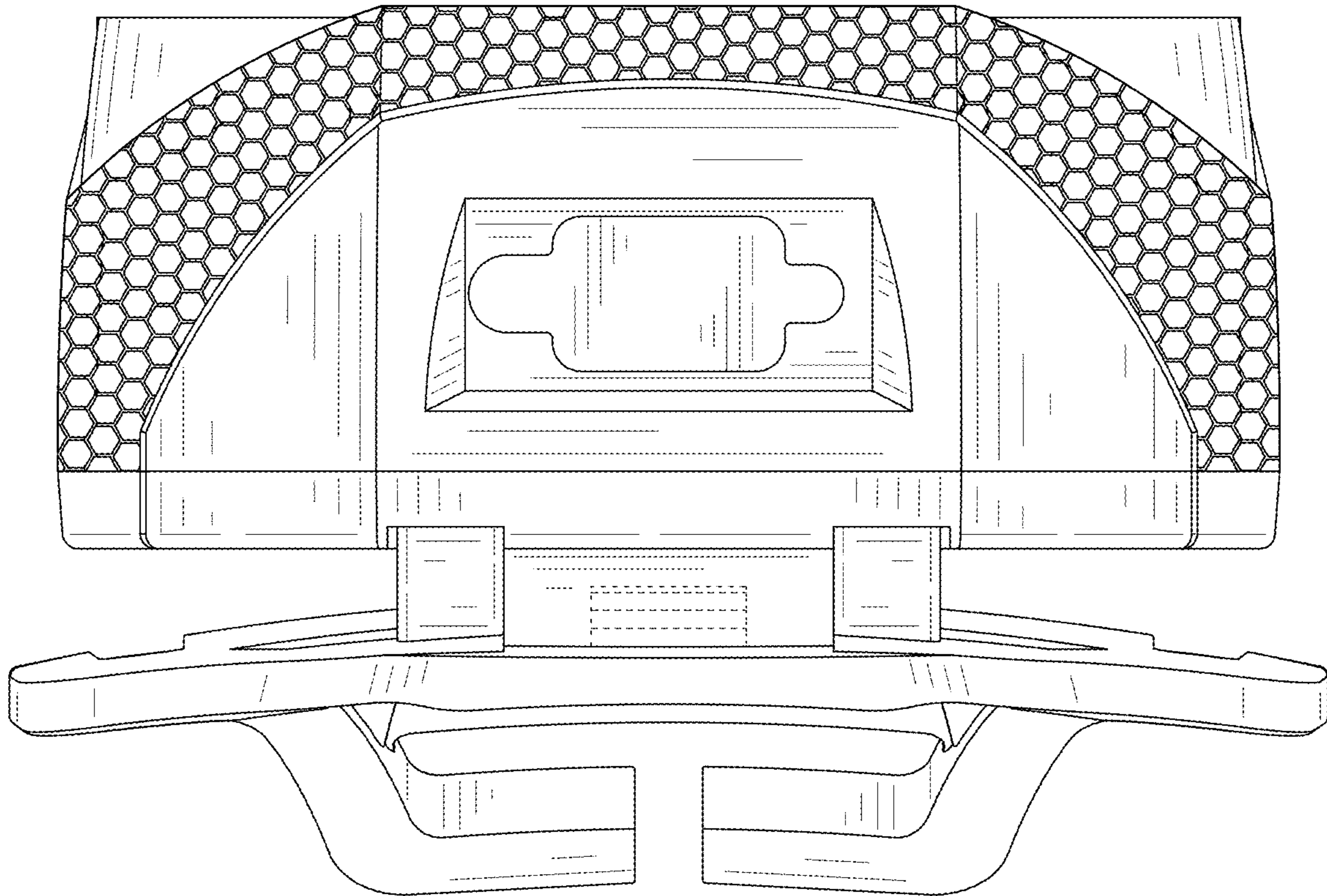


FIG. 8

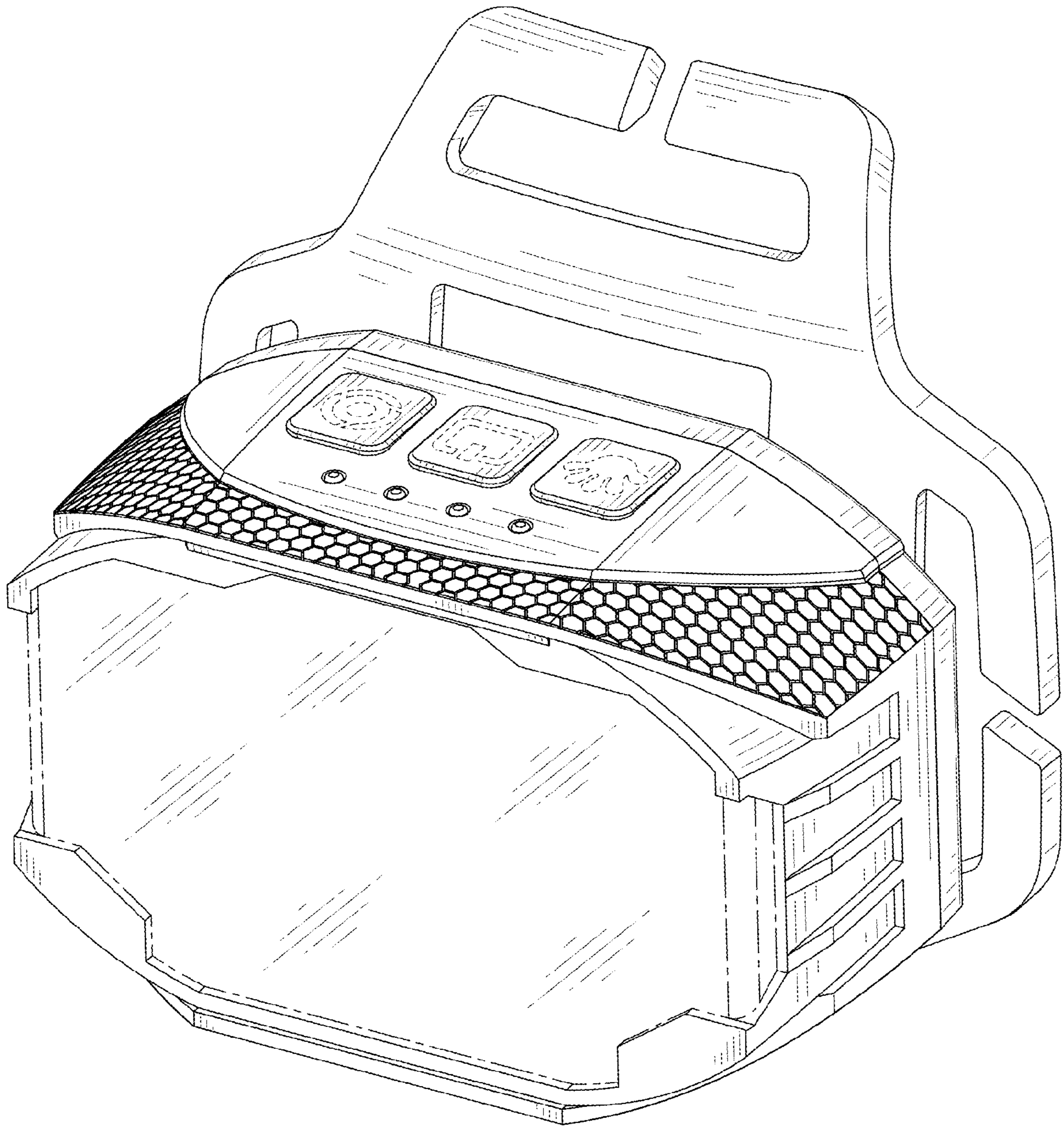


FIG. 9