



US00D923833S

(12) **United States Design Patent**  
**Chen**

(10) **Patent No.:** **US D923,833 S**

(45) **Date of Patent:** **\*\* Jun. 29, 2021**

(54) **CAR HEADLIGHT**

(71) Applicant: **ZHEJIANG YUANZHENG AUTO & MOTORCYCLE ACCESSORIES CO., LTD.**, Rui'an (CN)

(72) Inventor: **Yu Chen**, Rui'an (CN)

(\*\*) Term: **15 Years**

(21) Appl. No.: **29/751,311**

(22) Filed: **Sep. 21, 2020**

(51) **LOC (13) Cl.** ..... **26-06**

(52) **U.S. Cl.**  
USPC ..... **D26/28**

(58) **Field of Classification Search**

USPC ..... D26/28-36, 139  
CPC ..... F21S 48/00; F21S 48/10; F21S 48/115;  
F21S 48/225; F21S 48/1233; F21S 48/1266; F21S 48/1388; F21S 48/2268;  
F21V 5/00; F21V 21/04; F21V 29/004;  
B60Q 9/13; B60Q 9/135; B60Q 9/1375  
See application file for complete search history.

(56) **References Cited**

**U.S. PATENT DOCUMENTS**

D593,233 S \* 5/2009 Bai ..... D26/28  
D597,689 S 8/2009 Sun et al.

D674,938 S \* 1/2013 Lai ..... D26/28  
D743,065 S \* 11/2015 Weil ..... D26/28  
D787,721 S \* 5/2017 Lai ..... D26/28  
D809,682 S \* 2/2018 Lin ..... D26/28  
D822,241 S \* 7/2018 Lee ..... D26/28  
D824,058 S \* 7/2018 Hong ..... D26/28  
D878,642 S 3/2020 Ren

\* cited by examiner

*Primary Examiner* — Marcus A Jackson

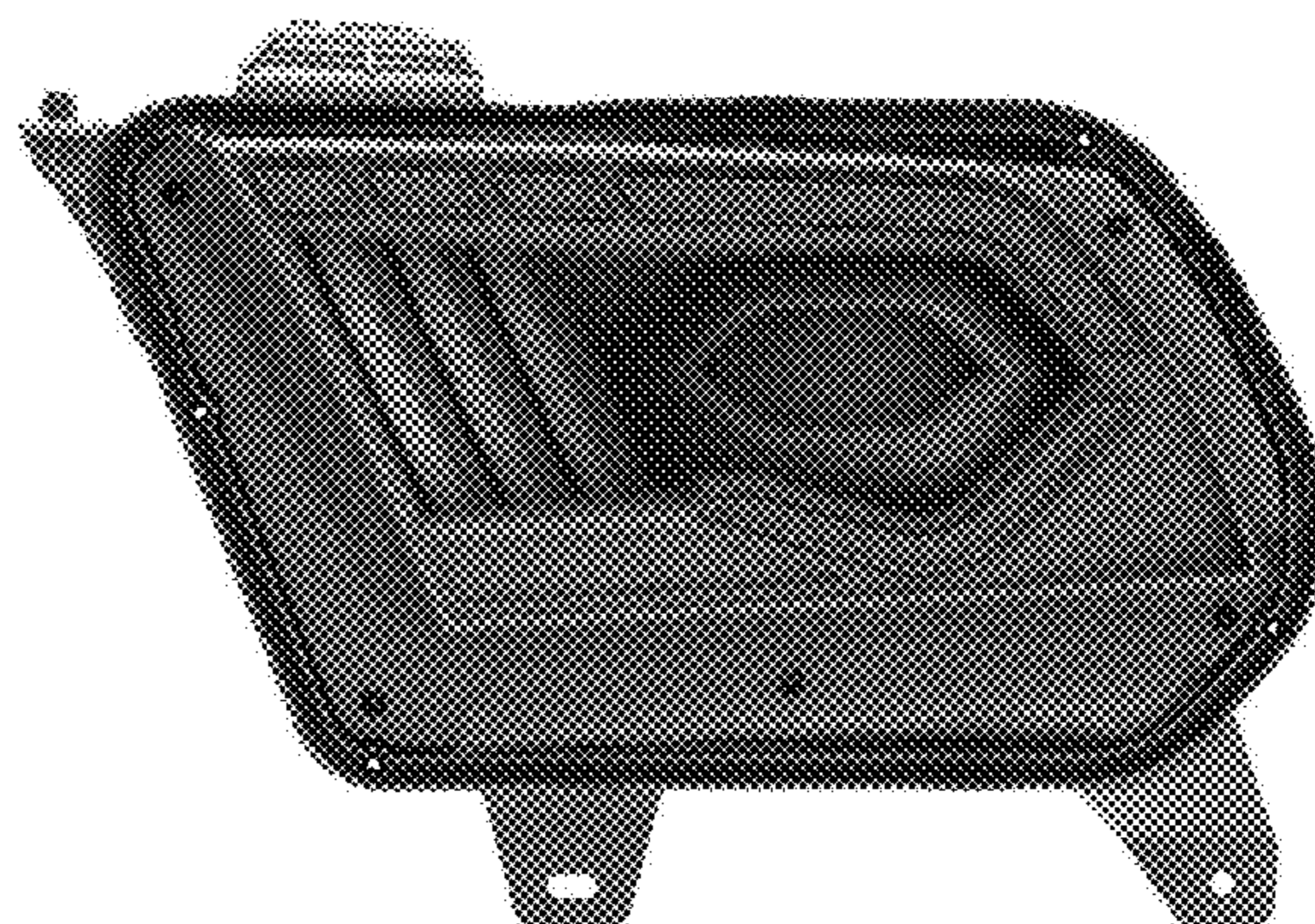
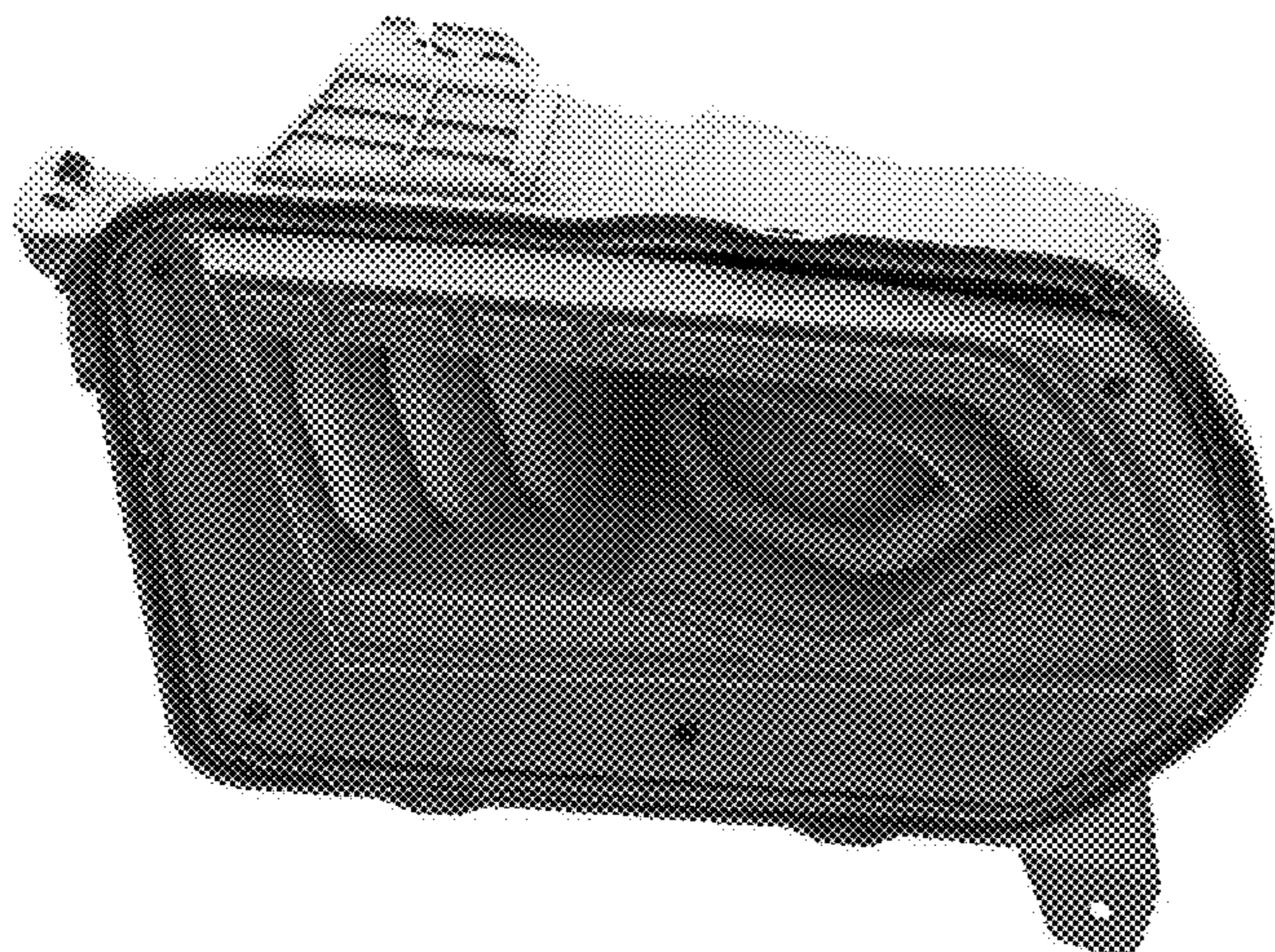
(57) **CLAIM**

The ornamental design for a car headlight, as shown and described.

**DESCRIPTION**

FIG. 1 is a first perspective view of a car headlight showing my new design;  
FIG. 2 is a second perspective view thereof;  
FIG. 3 is a front view thereof;  
FIG. 4 is a back view thereof;  
FIG. 5 is a left side view thereof;  
FIG. 6 is a right side view thereof;  
FIG. 7 is a top view thereof; and,  
FIG. 8 is a bottom view thereof.

**1 Claim, 8 Drawing Sheets**



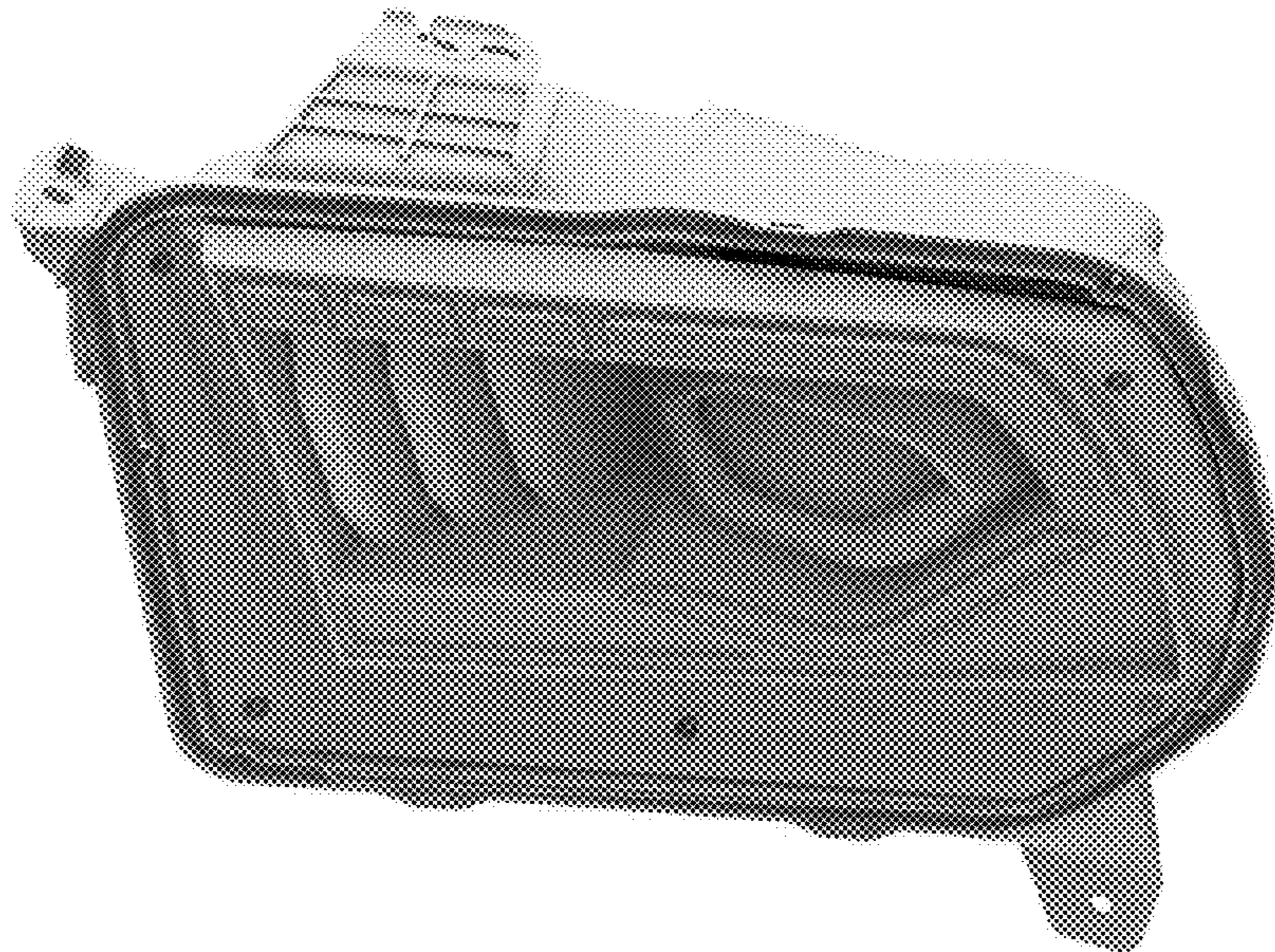


FIG.1

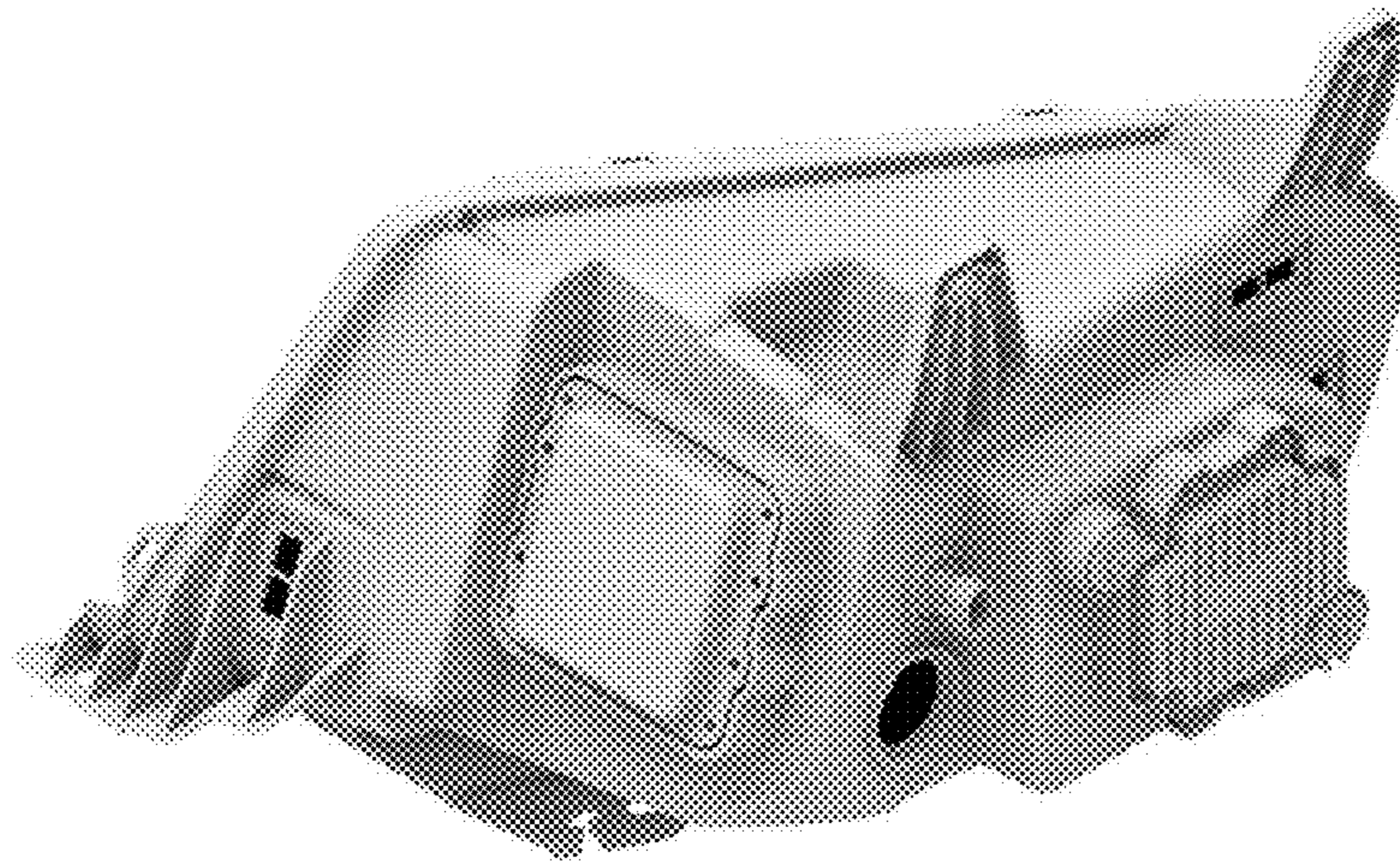


FIG.2

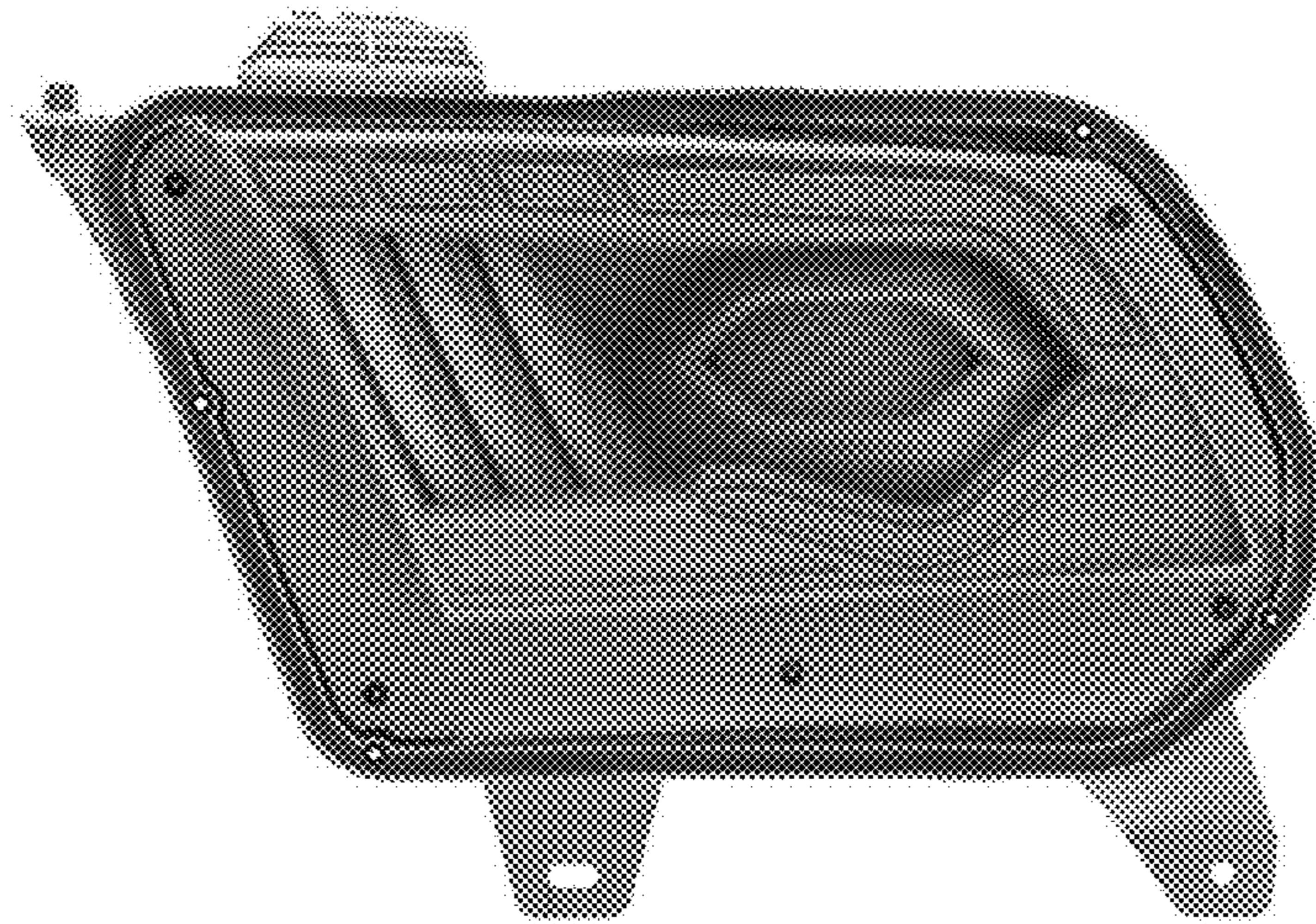


FIG.3

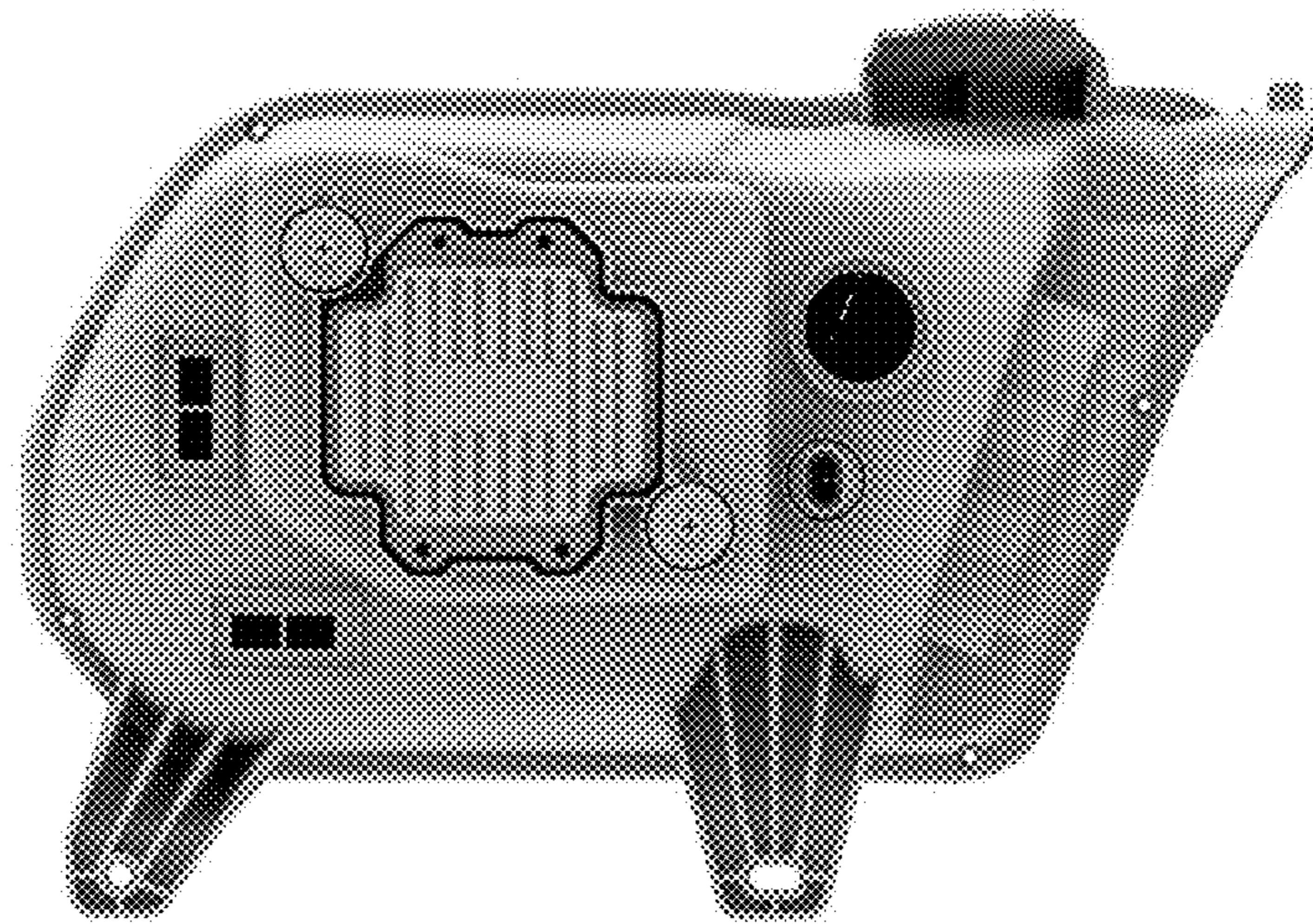


FIG.4

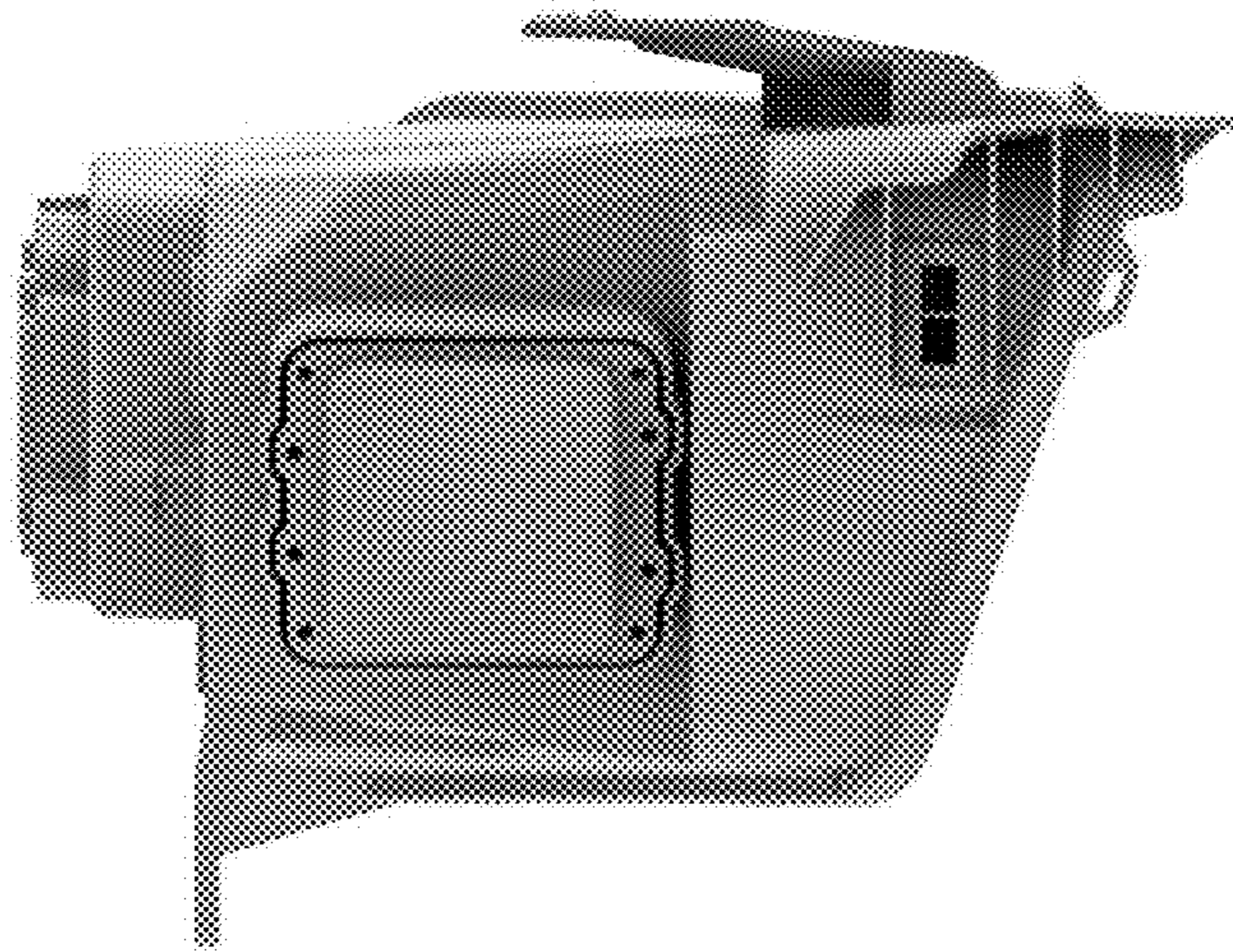


FIG.5

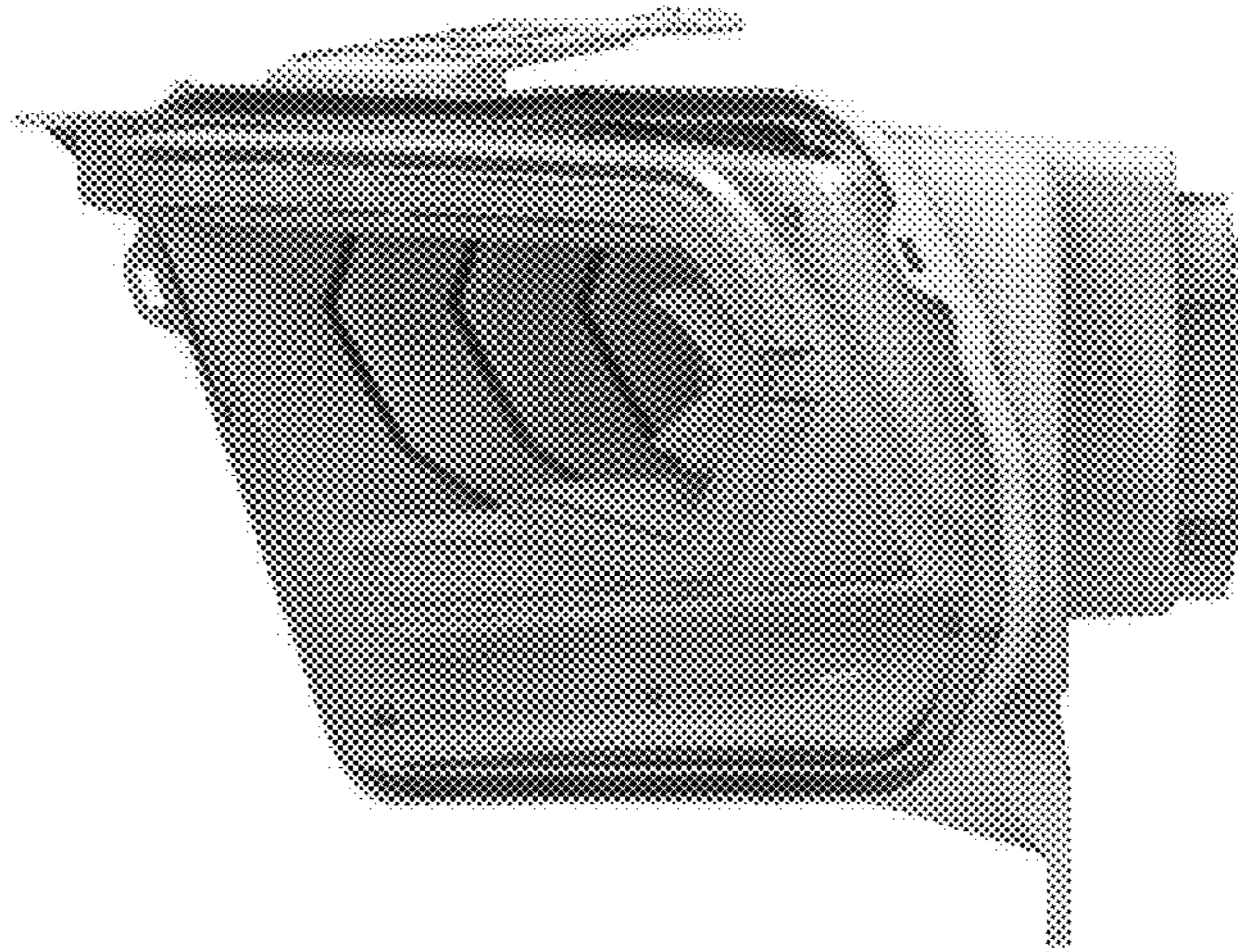


FIG.6

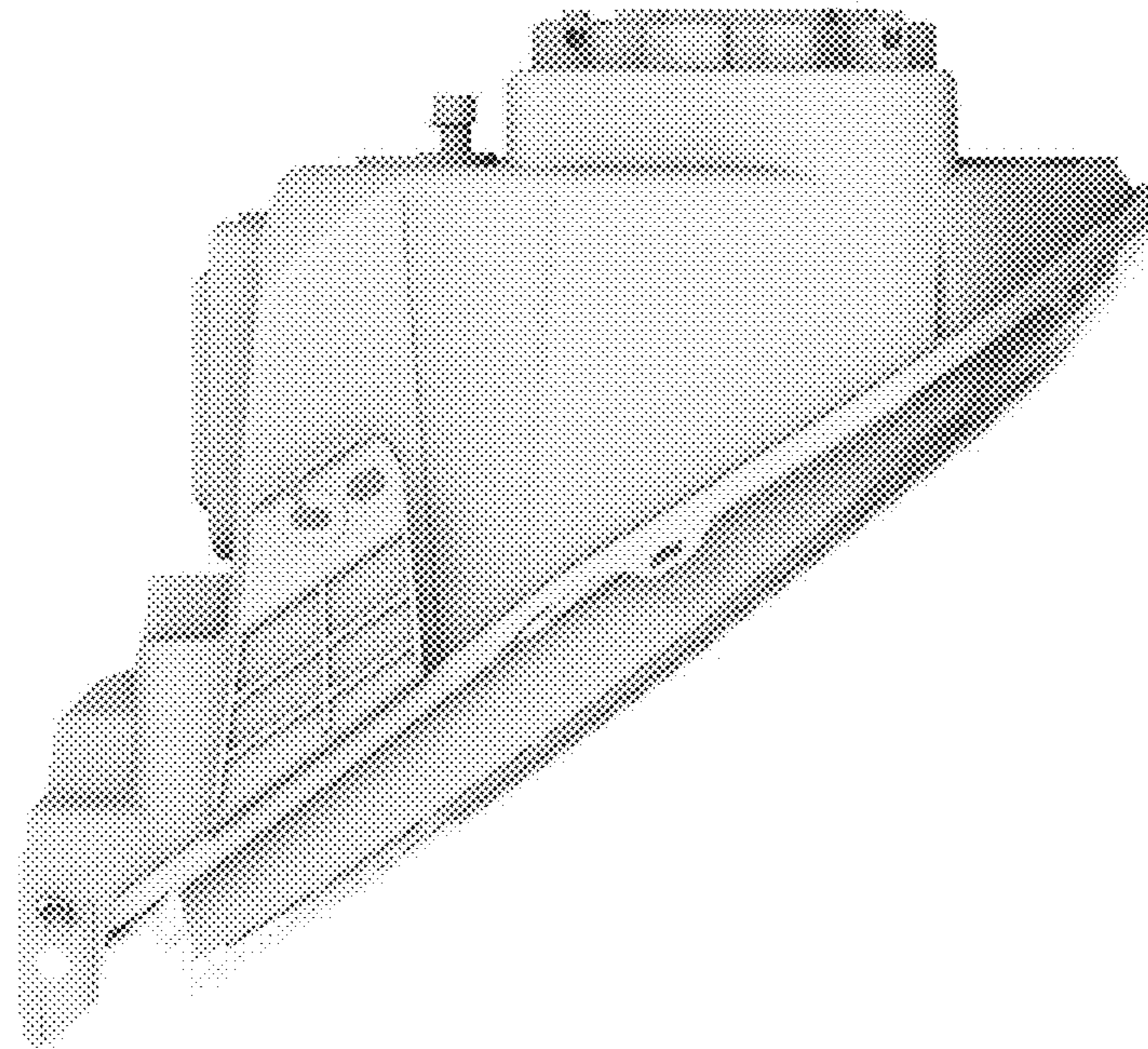


FIG.7



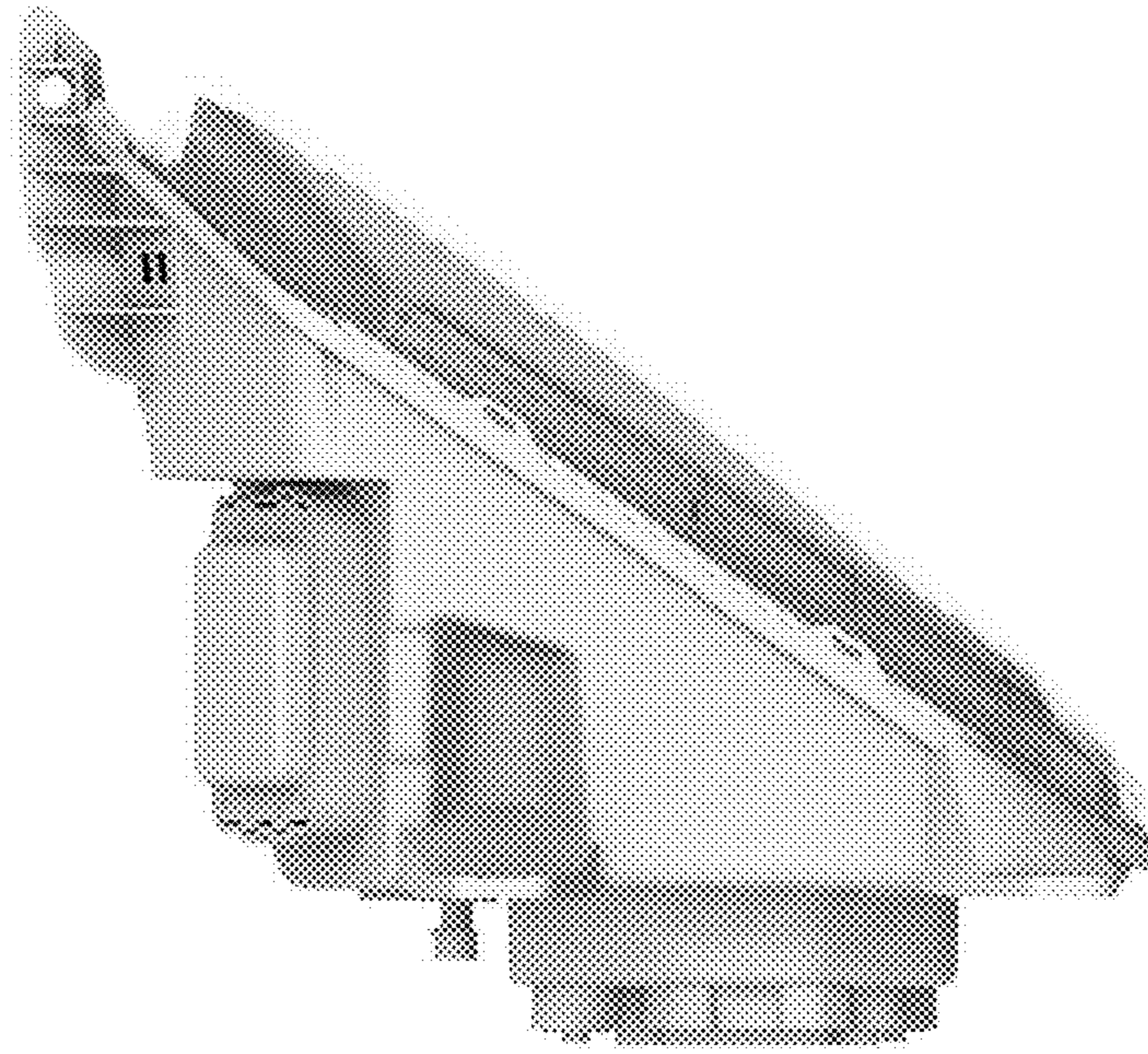


FIG.8